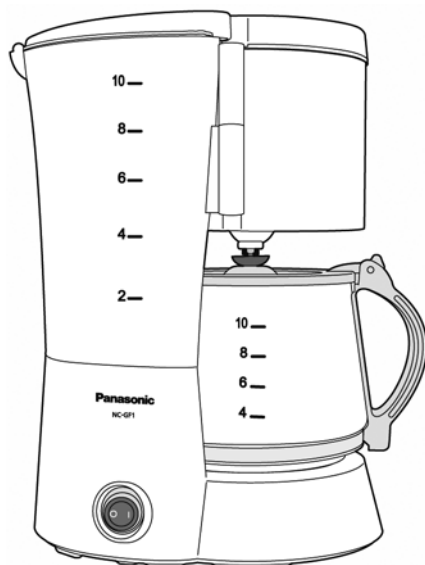


# Service Manual

Coffee Maker

Model No. **NC-GF1WTN**

PGF



## **⚠ WARNING**

This service information is designed for experienced repair technicians only and is not designed for use by the general public. It does not contain warnings or cautions to advise non-technical individuals of potential dangers in attempting to service a product. Products powered by electricity should be serviced or repaired only by experienced professional technicians. Any attempt to service or repair the product or products dealt with in this service information by anyone else could result in serious injury or death.

## **IMPORTANT SAFETY NOTICE**

There are special components used in this equipment which are important for safety. These parts are marked by **⚠** in the Schematic Diagrams, Circuit Board Diagrams, Exploded Views and Replacement Parts List. It is essential that these critical parts should be replaced with manufacturer's specified parts to prevent shock, fire or other hazards. Do not modify the original design without permission of manufacturer.

## **TABLE OF CONTENTS**

	PAGE
<b>1 SPECIFICATIONS</b> -----	<b>2</b>
<b>2 LOCATION OF CONTROLS AND COMPONENTS</b> -----	<b>3</b>
<b>3 OPERATING INSTRUCTIONS</b> -----	<b>4</b>
<b>4 MAINTENANCE</b> -----	<b>6</b>
<b>5 FACTORY SETTING</b> -----	<b>8</b>
<b>6 WIRING CONNECTION DIAGRAM</b> -----	<b>10</b>
<b>7 SCHEMATIC DIAGRAM</b> -----	<b>12</b>
<b>8 REPLACEMENT PARTS</b> -----	<b>13</b>

**Panasonic®**

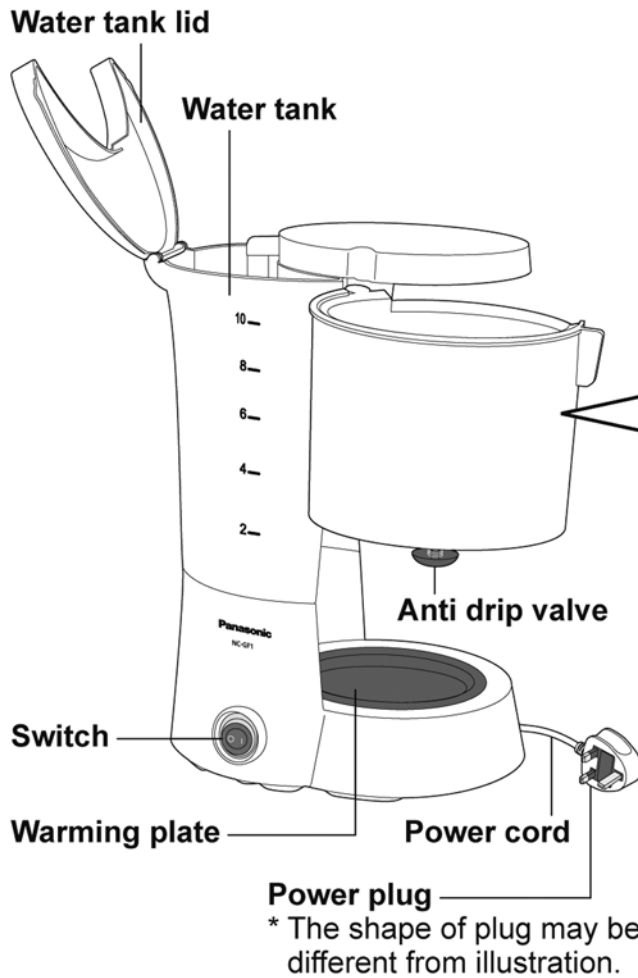
© Panasonic Corporation 2011 Unauthorized copying and distribution is a violation of law.

# 1 SPECIFICATIONS

Power supply	220 / 240V - 50/60Hz
Power consumption	730 - 880W
Max. amount of water	1340ml (10 cups)
Dimensions (WxDxH) (approx.)	23.0cm x 18.9cm x 32.2cm
Weight (approx.)	1.7kg
Length of the cord (approx.)	0.9m

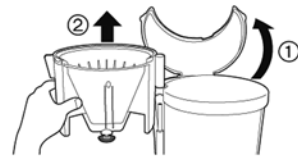
## 2 LOCATION OF CONTROLS AND COMPONENTS

# Parts Names and Handling Instructions



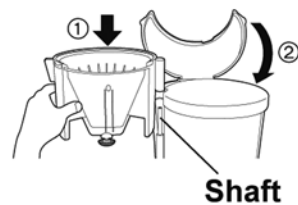
### Basket

#### ● To disassemble

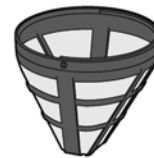


- ① Open the water tank lid.
- ② Pull up.

#### ● To assemble



- ① Insert the basket to the shaft.
- ② Close the water tank lid.



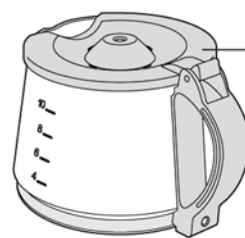
Filter

- To replace the filter.
- Also you can use paper filters sold at stores instead of the filter provided.

### Before use

Remove packing materials and clean the appliance by following steps below for the first time or when you have not used it for a while.

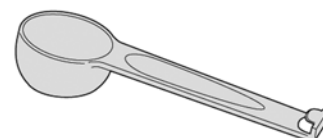
- ① Wash all detachable parts.
- ② Set the basket, filter and glass jug.
  - Do not place the ground coffee.
- ③ Fill water in the water tank up to scale 8 and close the lid.
- ④ Plug in and turn on the switch.
- ⑤ When the water tank gets empty, turn off the switch and throw hot water in the glass jug away.



Glass jug

Glass jug lid

### Accessory

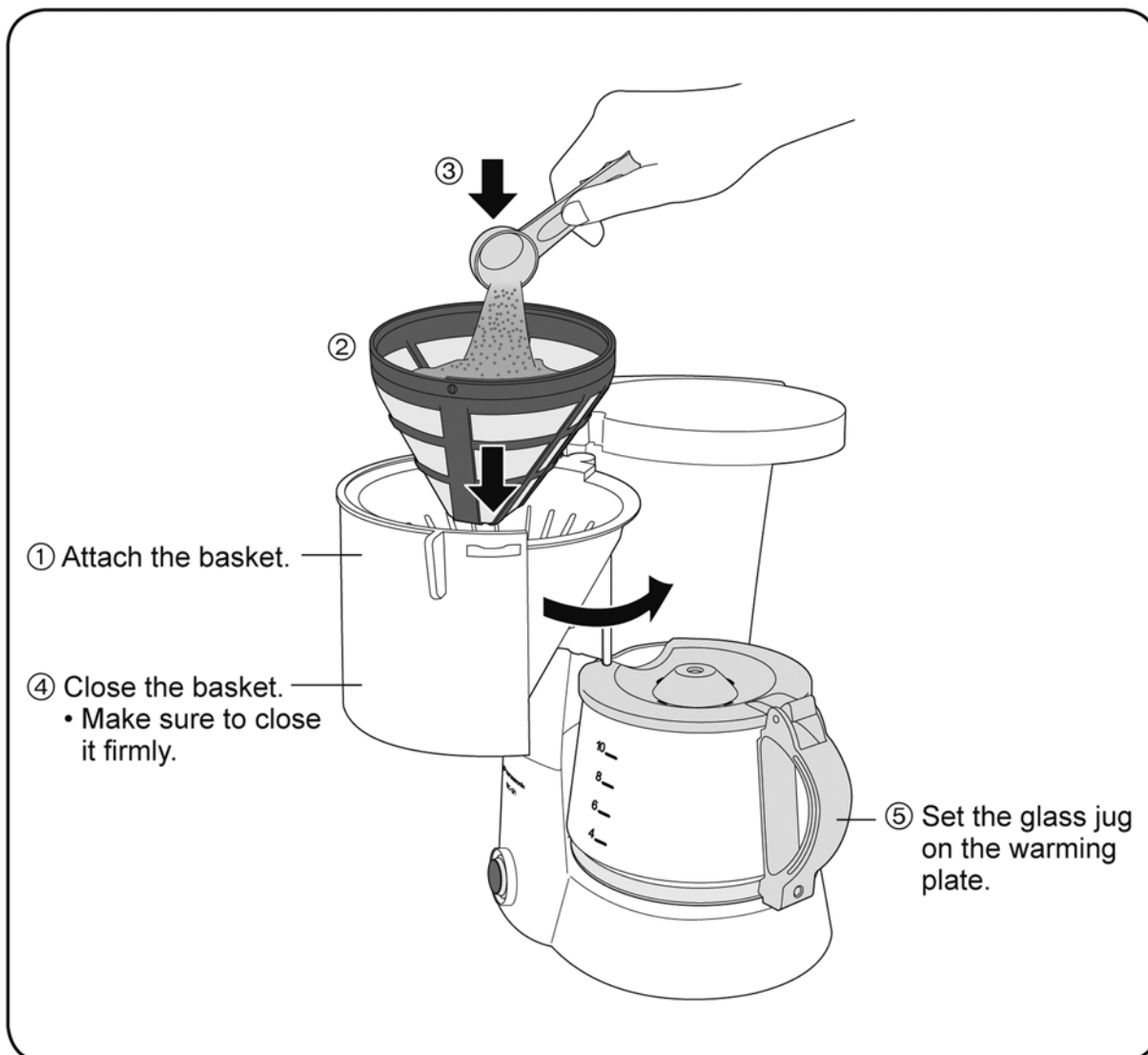


Measuring spoon

### 3 OPERATING INSTRUCTIONS

# How to Use

- 1** Set the basket, filter, glass jug, and place ground coffee.

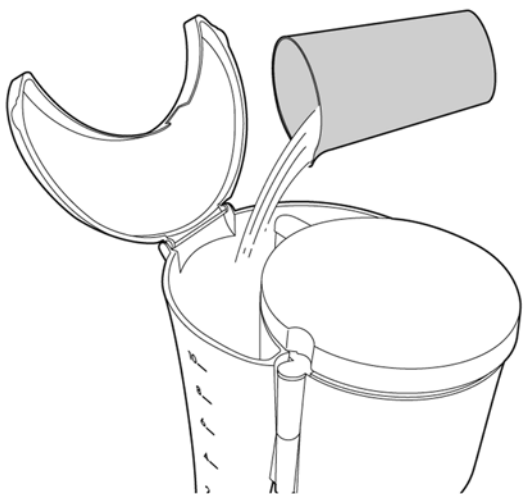


#### Amount of ground coffee and Estimate time of brewing

Brewed Coffee	Ground Coffee (level off) (Approx.)	Time (Approx.)
2 cups	2 1/2 scoops (16 g)	3 min.
4 cups	4 1/2 scoops (29 g)	5 min.
6 cups	6 1/2 scoops (42 g)	7 min.
8 cups	8 scoops (52 g)	9 min.
10 cups	10 scoops (65 g)	11 min.

- The estimated time of brewing may vary depending on the amount of water or room temperature.

**2** Fill water in the water tank, then plug in and turn on the switch.

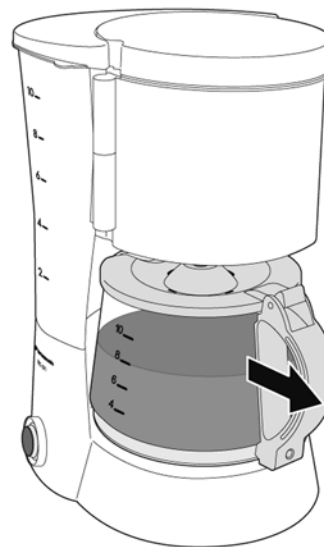


- Do not fill water more than scale 10.

**Note**

- Do not fill the water tank with hot water.  
(A lot of steam may spurt out.)

**3** After brewing is completed, turn off the switch and remove the glass jug.



**Note**

- Coffee is hot, remove the glass jug slowly. (Hot coffee may spill out.)
- When handling the glass jug with hot coffee is in, do not to open the glass jug lid. Hot liquid may spurt out or drop on your hand. (It may cause a burn.)
- When removing the glass jug, pull it toward to the handle.
- To keep warm coffee, leave the switch on position.
- For better taste, keeping it warm for long time is not recommended.

**To brew coffee consecutively**

- ① Turn off the switch.
- ② Repeat step 1~3.
  - Wait for 2~3 minutes to add water in the water tank.  
(If water is added too soon, steam may spurt out.)

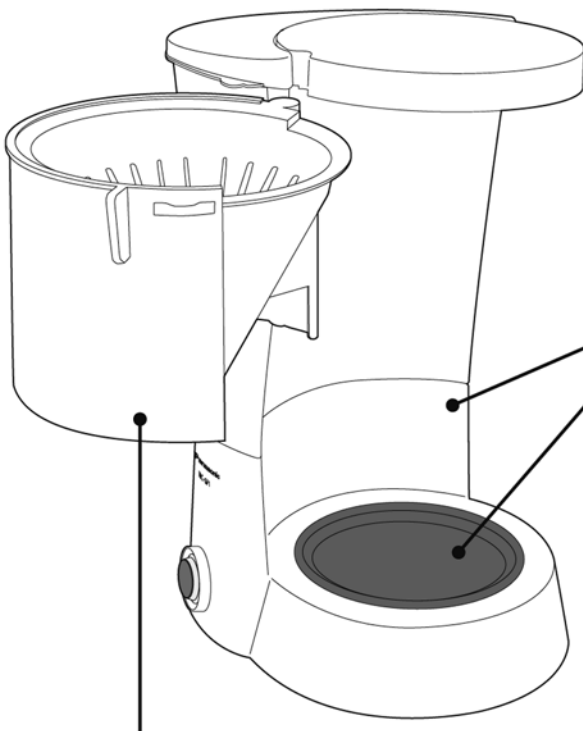
## 4 MAINTENANCE

# How to Clean

- Clean the appliance after every use.
- Unplug and make sure the each part is cool down before cleaning.

### Note

- Do not use benzin, thinner, polishing powder, bleach, metal brush or nylon brush. (It may be damaged on the surfaces.)
- Do not use a dishwasher.
- Do not clean the appliance with pointed object such as a toothpick or pin. (Especially around the switch.)
- Handle the glass jug with care.  
Do not use the glass jug if it has chipped off or cracked.



### Body / Warming Plate

Wipe with well-wrung cloth.

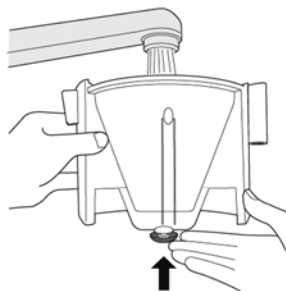
To avoid damaging surfaces of the body and the warming plate.

- Do not hit with hard objects or rub them with scouring pad.

### Basket

Wash with diluted dish soap (neutral) and a soft sponge.

- **Anti drip valve**  
It is to prevent leakage of the remaining drops from the basket.



- ① Pour water in the basket.
- ② Push the anti drip valve up and shake it for 2~3 times.

## Glass Jug

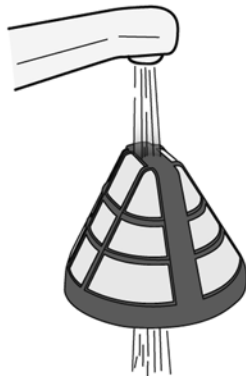
Wash with diluted dish soap (neutral) and a soft sponge.



## Filter

Wash under running water.

- Do not use the brush, dish soap or scouring pad.  
(It may cause tearing off the filter or leaving the smell of dish soap.)



## Clean the water tank with citric acid when brewing is slow

The brewing speed gets slow when the mineral such as the calcium contained in water adheres to the water pipe and the water tank.

\*The water contained more mineral adheres scale easily.

- 1 Set the basket and glass jug.
- 2 Fill water in the water tank up to scale 8 and add approx. 20 g (2 tbsp) of citric acid. Then mix well with a stick and close the lid.

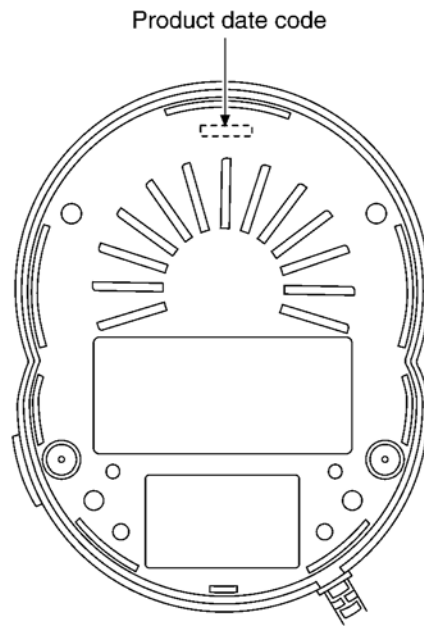


- 3 Plug in and turn on the switch.
- 4 When the water tank gets empty, turn off the switch and throw hot water in the glass jug away.
- 5 Repeat step 1~4 with only water to remove the smell of the citric acid.

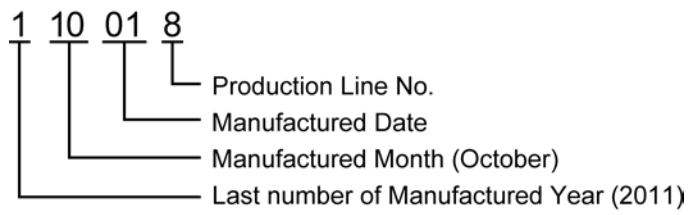
# 5 FACTORY SETTING

## 5.1. Place of product date code

The product date code is impressed upon the bottom face of the unit.

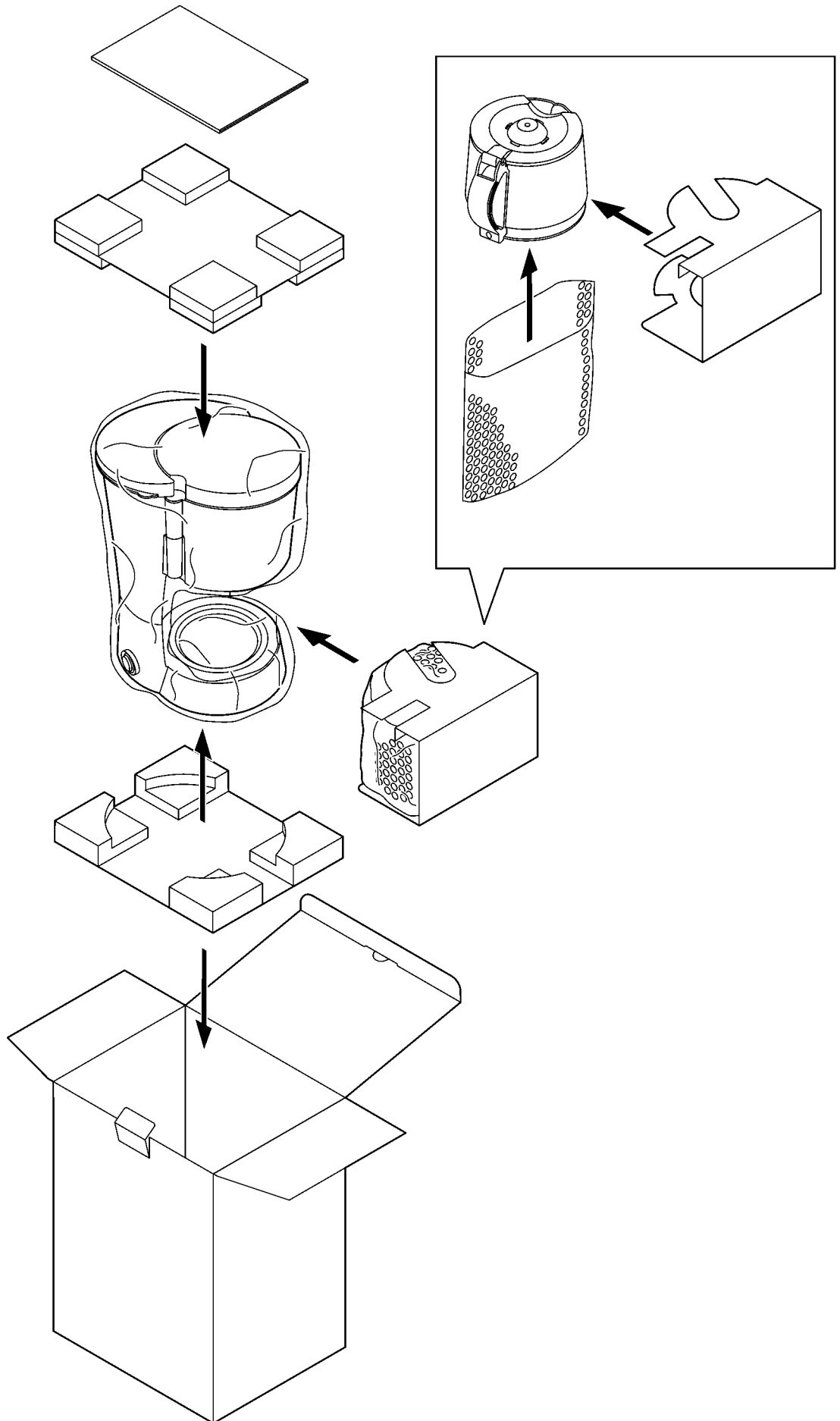


ex.



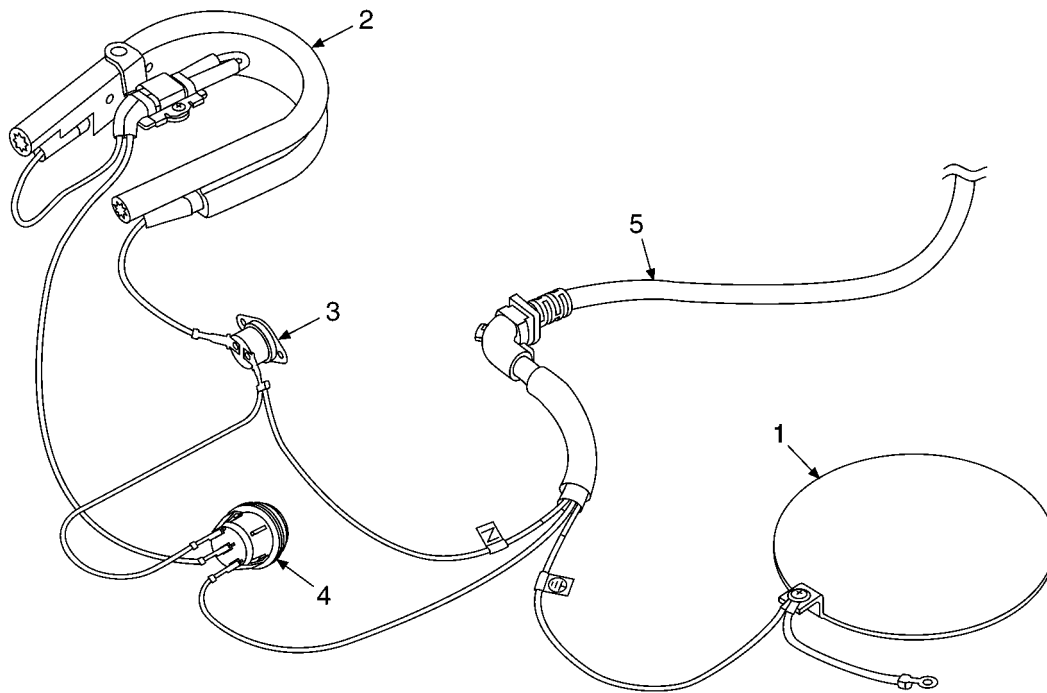


## 5.2. Packing procedure



# 6 WIRING CONNECTION DIAGRAM

## 6.1. Basic wiring diagram

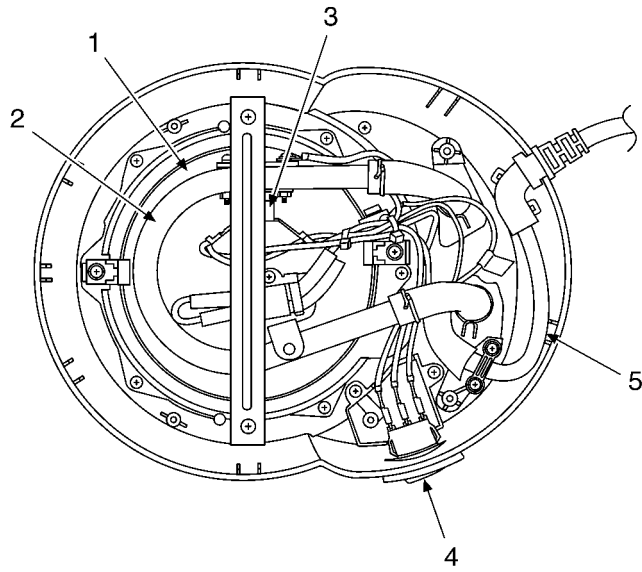


No.	Parts Name
1	Warming plate
2	Heater
3	Thermostat
4	Switch
5	Power cord

## 6.2. Wiring diagram

### Caution

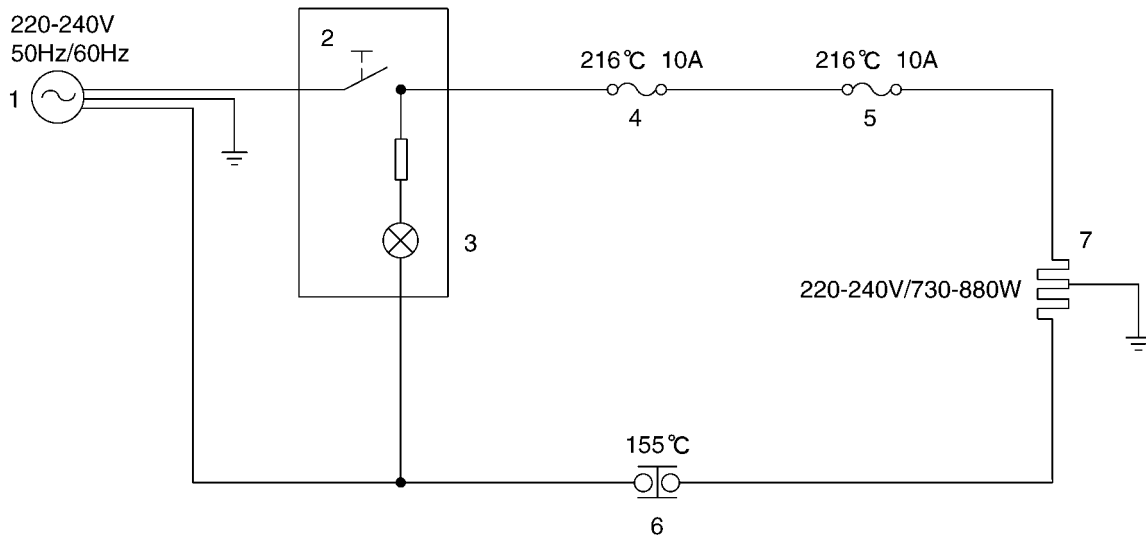
Make sure that the cables are routed as they were before the repair. Otherwise, the lead wire may touch the end face of parts, resulting in a failure or electric shock.



No.	Parts Name
1	Warming plate
2	Heater
3	Thermostat
4	Switch
5	Power cord

# 7 SCHEMATIC DIAGRAM

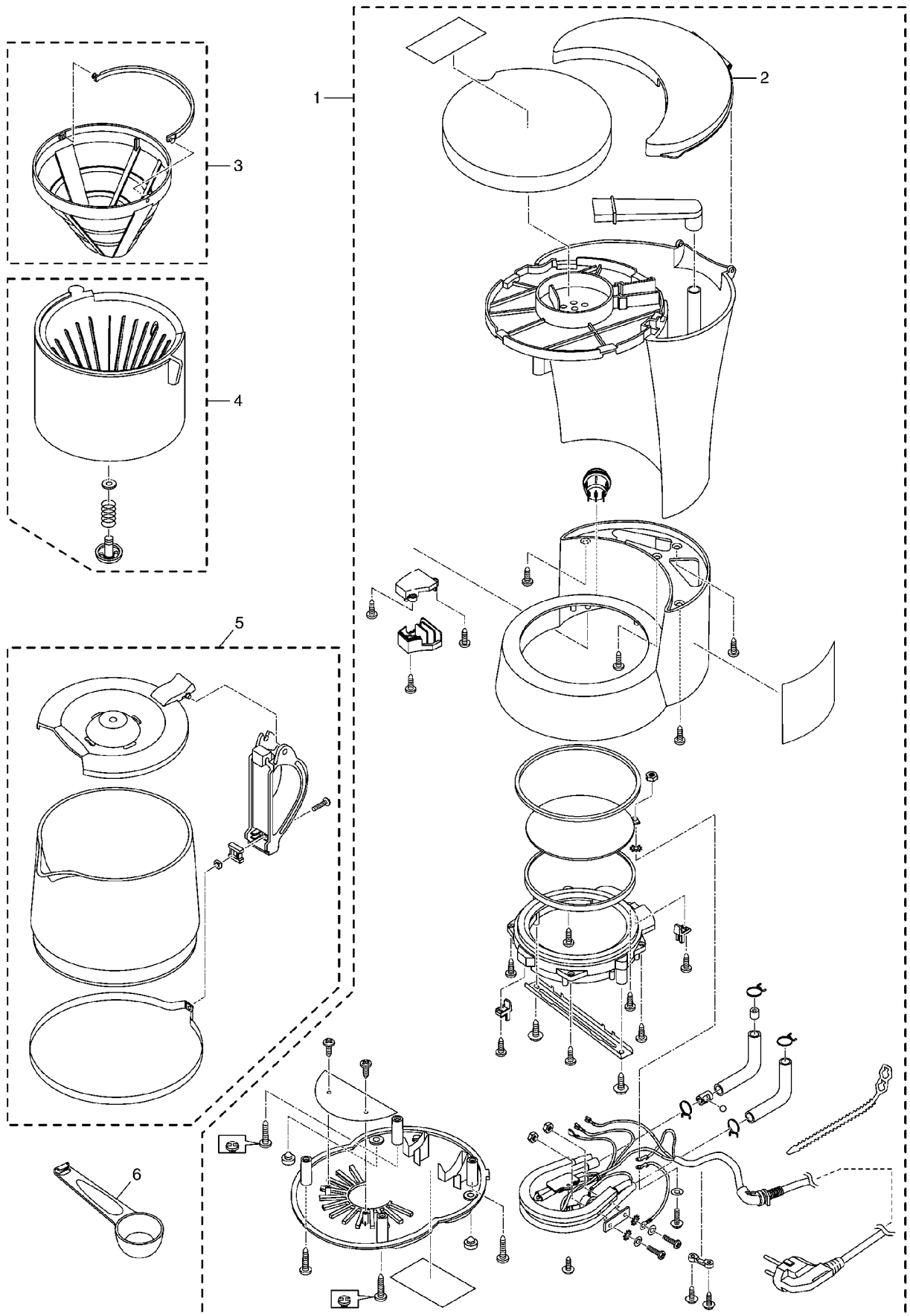
## 7.1. Circuit diagram



No.	Parts Name
1	Power
2	Switch
3	Lamp
4	Fuse
5	Fuse
6	Thermostat
7	Heater

# 8 REPLACEMENT PARTS

## 8.1. Parts List



## 8.2. Replacement Parts List

Safety	Ref. No.	Part No.	Part Name & Description	Quantity	Remarks
⚠	1	ACA00Y14900S	Coffee Maker Ass'y	1	
	2	ACC09Y149	Water tank lid	1	
	3	CC81-149	Filter	1	
	4	ACA41Y14900S	Basket	1	
	5	ACA10Y14900S	Glass Jug	1	
	6	ACK10Y149	Measuring spoon	1	

Safety	Ref. No.	Part No.	Part Name & Description	Quantity	Remarks
⚠		ACZ45Y149	Operating instruction	1	
		ACZ03Y149	Carton box	1	
		ACZ29Y14900S	Cushion Set	1	