

Service Manual

Plasma Television

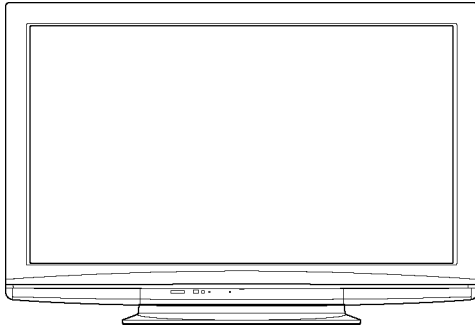
Model No. **TH-P50S10D**

TH-P50S10M

TH-P50S10S

TH-P50S10T

GPF12DA Chassis



⚠ WARNING

This service information is designed for experienced repair technicians only and is not designed for use by the general public. It does not contain warnings or cautions to advise non-technical individuals of potential dangers in attempting to service a product. Products powered by electricity should be serviced or repaired only by experienced professional technicians. Any attempt to service or repair the product or products dealt with in this service information by anyone else could result in serious injury or death.

IMPORTANT SAFETY NOTICE

There are special components used in this equipment which are important for safety. These parts are marked by **⚠** in the Schematic Diagrams, Circuit Board Diagrams, Exploded Views and Replacement Parts List. It is essential that these critical parts should be replaced with manufacturer's specified parts to prevent shock, fire or other hazards. Do not modify the original design without permission of manufacturer.

Panasonic®

© Panasonic Corporation 2009.
Unauthorized copying and distribution is a violation of law.

TABLE OF CONTENTS

	PAGE		PAGE
1 Safety Precautions	3	10.2. Wiring (1)	39
1.1. General Guidelines	3	10.3. Wiring (2)	40
1.2. Touch-Current Check	3	10.4. Wiring (3)	41
2 Warning	4	11 Schematic Diagram	43
2.1. Prevention of Electrostatic Discharge (ESD) to Electrostatically Sensitive (ES) Devices	4	11.1. Schematic Diagram Note	43
2.2. About lead free solder (PbF)	5	11.2. P-Board (1/2) Schematic Diagram	44
3 Service Navigation	6	11.3. P-Board (2/2) Schematic Diagram	45
3.1. Service Hint	6	11.4. GK, K and S-Board Schematic Diagram	46
3.2. Applicable signals	7	11.5. A-Board (1/20) Schematic Diagram	47
4 Specifications	8	11.6. A-Board (2/20) Schematic Diagram	48
5 Service Mode	10	11.7. A-Board (3/20) Schematic Diagram	49
5.1. How to enter into Service Mode	10	11.8. A-Board (4/20) Schematic Diagram	50
5.2. Service tool mode	12	11.9. A-Board (5/20) Schematic Diagram	51
5.3. Hotel mode	13	11.10. A-Board (6/20) Schematic Diagram	52
6 Troubleshooting Guide	14	11.11. A-Board (7/20) Schematic Diagram	53
6.1. Check of the IIC bus lines	14	11.12. A-Board (8/20) Schematic Diagram	54
6.2. Power LED Blinking timing chart	15	11.13. A-Board (9/20) Schematic Diagram	55
6.3. No Power	16	11.14. A-Board (10/20) Schematic Diagram	56
6.4. No Picture	17	11.15. A-Board (11/20) Schematic Diagram	57
6.5. Local screen failure	18	11.16. A-Board (12/20) Schematic Diagram	58
7 Disassembly and Assembly Instructions	19	11.17. A-Board (13/20) Schematic Diagram	59
7.1. Remove the Rear cover	19	11.18. A-Board (14/20) Schematic Diagram	60
7.2. Remove the P-Board	19	11.19. A-Board (15/20) Schematic Diagram	61
7.3. Remove the Side terminal cover and Rear terminal cover	19	11.20. A-Board (16/20) Schematic Diagram	62
7.4. Remove the Tuner unit	19	11.21. A-Board (17/20) Schematic Diagram	63
7.5. Remove the A-Board	20	11.22. A-Board (18/20) Schematic Diagram	64
7.6. Remove the Speakers	20	11.23. A-Board (19/20) Schematic Diagram	65
7.7. Remove the Control button unit	20	11.24. A-Board (20/20) Schematic Diagram	66
7.8. Remove the GK-Board	21	11.25. C1-Board Schematic Diagram	67
7.9. Remove the SU-Board	21	11.26. C2-Board (1/2) Schematic Diagram	68
7.10. Remove the SD-Board	21	11.27. C2-Board (2/2) Schematic Diagram	69
7.11. Remove the SC-Board	22	11.28. C3-Board (1/2) Schematic Diagram	70
7.12. Remove the SS2-Board	22	11.29. C3-Board (2/2) Schematic Diagram	71
7.13. Remove the SS-Board	22	11.30. SC-Board (1/4) Schematic Diagram	72
7.14. Remove the Hanger metals and the Stand brackets	22	11.31. SC-Board (2/4) Schematic Diagram	73
7.15. Remove the C1-Board	23	11.32. SC-Board (3/4) Schematic Diagram	74
7.16. Remove the C2-Board	23	11.33. SC-Board (4/4) Schematic Diagram	75
7.17. Remove the C3-Board	23	11.34. SS-Board (1/2) Schematic Diagram	76
7.18. Remove the Plasma panel section from the Cabinet assy (glass)	23	11.35. SS-Board (2/2) and SS2-Board Schematic Diagram	77
7.19. Remove the S-Board	24	12 Printed Circuit Board	78
7.20. Remove the Front glass	25	12.1. P-Board	78
7.21. Remove the K-Board	25	12.2. GK, K, S and SS2-Board	81
7.22. Replace the plasma panel	25	12.3. A-Board	82
8 Measurements and Adjustments	26	12.4. C1-Board	84
8.1. Adjustment Procedure	26	12.5. C2-Board	85
8.2. Adjustment	29	12.6. C3-Board	86
9 Block Diagram	33	12.7. SC-Board	87
9.1. Main Block Diagram	33	12.8. SS-Board	90
9.2. Block (1/4) Diagram	34	13 Exploded View and Replacement Parts List	93
9.3. Block (2/4) Diagram	35	13.1. Exploded View and Mechanical Replacement Parts List	93
9.4. Block (3/4) Diagram	36	13.2. Electrical Replacement Parts List	100
9.5. Block (4/4) Diagram	37		
10 Wiring Connection Diagram	39		
10.1. Caution statement	39		

1 Safety Precautions

1.1. General Guidelines

1. When servicing, observe the original lead dress. If a short circuit is found, replace all parts which have been overheated or damaged by the short circuit.
2. After servicing, see to it that all the protective devices such as insulation barriers, insulation papers shields are properly installed.
3. After servicing, make the following leakage current checks to prevent the customer from being exposed to shock hazards.
4. When servicing, observe the original lead dress. If a short circuit is found, replace all parts which have been overheated or damaged by the short circuit.
5. After servicing, see to it that all the protective devices such as insulation barriers, insulation papers shields are properly installed.
6. After servicing, make the following leakage current checks to prevent the customer from being exposed to shock hazards.

1.2. Touch-Current Check

1. Plug the AC cord directly into the AC outlet. Do not use an isolation transformer for this check.
2. Connect a measuring network for touch currents between each exposed metallic part on the set and a good earth ground such as a water pipe, as shown in Figure 1.
3. Use Leakage Current Tester (Simpson 228 or equivalent) to measure the potential across the measuring network.
4. Check each exposed metallic part, and measure the voltage at each point.
5. Reserve the AC plug in the AC outlet and repeat each of the above measure.
6. The potential at any point (TOUGH CURRENT) expressed as voltage U_1 and U_2 , does not exceed the following values:

For a. c.: $U_1 = 35 \text{ V (peak)}$ and $U_2 = 0.35 \text{ V (peak)}$;

For d. c.: $U_1 = 1.0 \text{ V}$,

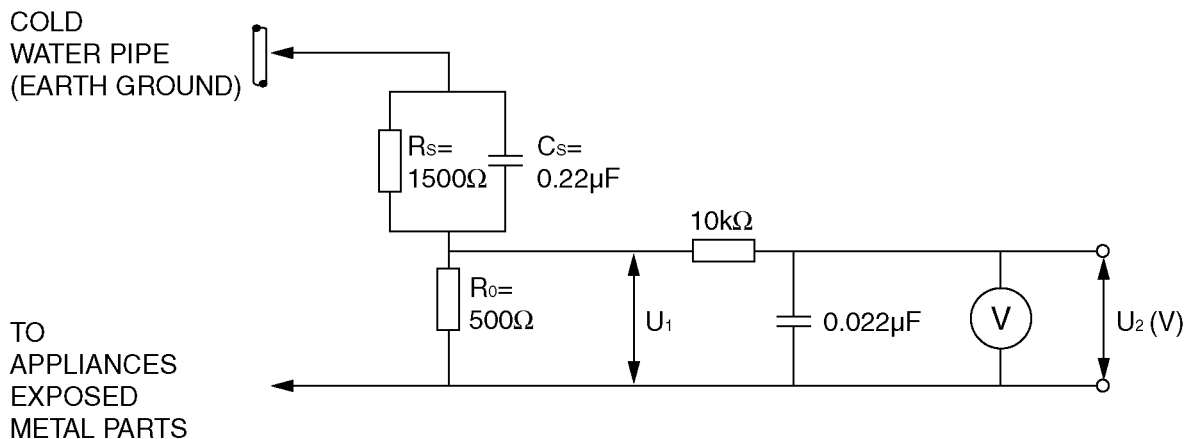
Note:

The limit value of $U_2 = 0.35 \text{ V (peak)}$ for a. c. and $U_1 = 1.0 \text{ V}$ for d. c. correspond to the values 0.7 mA (peak) a. c. and 2.0 mA d. c.

The limit value $U_1 = 35 \text{ V (peak)}$ for a. c. correspond to the value 70 mA (peak) a. c. for frequencies greater than 100 kHz .

7. In case a measurement is out of the limits specified, there is a possibility of a shock hazard, and the equipment should be repaired and rechecked before it is returned to the customer.

Measuring network for TOUCH CURRENTS



Resistance values in ohms (Ω)

V: Voltmeter or oscilloscope
(r.m.s. or peak reading)

Input resistance: $\geq 1 \text{ M}\Omega$

Input capacitance: $\leq 200 \text{ pF}$

Frequency range: 15 Hz to 1 MHz and d.c. respectively

NOTE - Appropriate measures should be taken to obtain the correct value in case of non-sinusoidal waveforms.

Figure 1

2 Warning

2.1. Prevention of Electrostatic Discharge (ESD) to Electrostatically Sensitive (ES) Devices

Some semiconductor (solid state) devices can be damaged easily by static electricity. Such components commonly are called Electrostatically Sensitive (ES) Devices. Examples of typical ES devices are integrated circuits and some field-effect transistors and semiconductor [chip] components. The following techniques should be used to help reduce the incidence of component damage caused by electrostatic discharge (ESD).

1. Immediately before handling any semiconductor component or semiconductor-equipped assembly, drain off any ESD on your body by touching a known earth ground. Alternatively, obtain and wear a commercially available discharging ESD wrist strap, which should be removed for potential shock reasons prior to applying power to the unit under test.
2. After removing an electrical assembly equipped with ES devices, place the assembly on a conductive surface such as aluminum foil, to prevent electrostatic charge buildup or exposure of the assembly.
3. Use only a grounded-tip soldering iron to solder or unsolder ES devices.
4. Use only an anti-static solder removal device. Some solder removal devices not classified as [anti-static (ESD protected)] can generate electrical charge sufficient to damage ES devices.
5. Do not use freon-propelled chemicals. These can generate electrical charges sufficient to damage ES devices.
6. Do not remove a replacement ES device from its protective package until immediately before you are ready to install it. (Most replacement ES devices are packaged with leads electrically shorted together by conductive foam, aluminum foil or comparable conductive material).
7. Immediately before removing the protective material from the leads of a replacement ES device, touch the protective material to the chassis or circuit assembly into which the device will be installed.

Caution

Be sure no power is applied to the chassis or circuit, and observe all other safety precautions.

8. Minimize bodily motions when handling unpackaged replacement ES devices. (Otherwise ham less motion such as the brushing together of your clothes fabric or the lifting of your foot from a carpeted floor can generate static electricity (ESD) sufficient to damage an ES device).

2.2. About lead free solder (PbF)

Note: Lead is listed as (Pb) in the periodic table of elements.

In the information below, Pb will refer to Lead solder, and PbF will refer to Lead Free Solder.

The Lead Free Solder used in our manufacturing process and discussed below is (Sn+Ag+Cu).

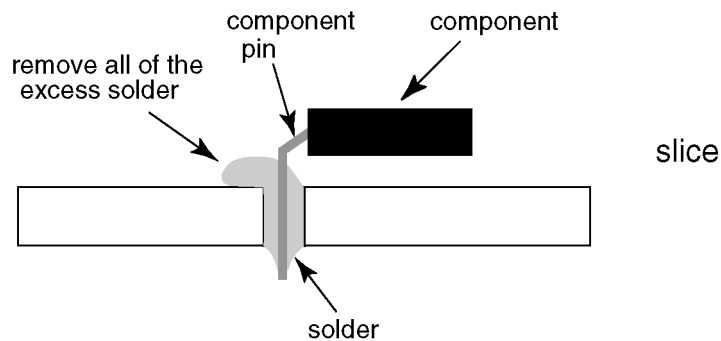
That is Tin (Sn), Silver (Ag) and Copper (Cu) although other types are available.

This model uses Pb Free solder in it's manufacture due to environmental conservation issues. For service and repair work, we'd suggest the use of Pb free solder as well, although Pb solder may be used.

PCBs manufactured using lead free solder will have the PbF within a leaf Symbol **PbF** stamped on the back of PCB.

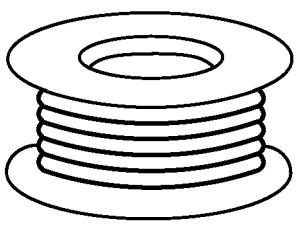
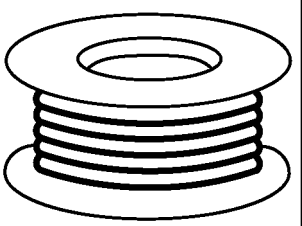
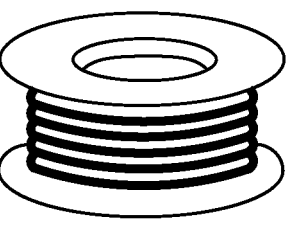
Caution

- Pb free solder has a higher melting point than standard solder. Typically the melting point is 50 ~ 70 °F (30~40 °C) higher. Please use a high temperature soldering iron and set it to 700 ± 20 °F (370 ± 10 °C).
- Pb free solder will tend to splash when heated too high (about 1100 °F or 600 °C).
If you must use Pb solder, please completely remove all of the Pb free solder on the pins or solder area before applying Pb solder. If this is not practical, be sure to heat the Pb free solder until it melts, before applying Pb solder.
- After applying PbF solder to double layered boards, please check the component side for excess solder which may flow onto the opposite side. (see figure below)



Suggested Pb free solder

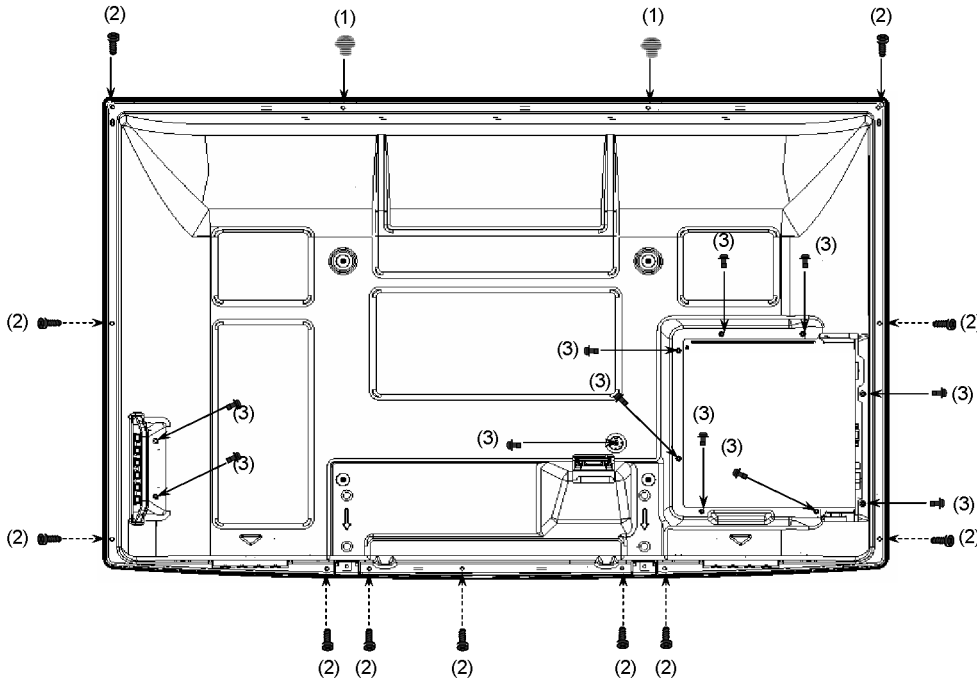
There are several kinds of Pb free solder available for purchase. This product uses Sn+Ag+Cu (tin, silver, copper) solder. However, Sn+Cu (tin, copper), Sn+Zn+Bi (tin, zinc, bismuth) solder can also be used.

0.3mm X 100g	0.6mm X 100g	1.0mm X 100g
		

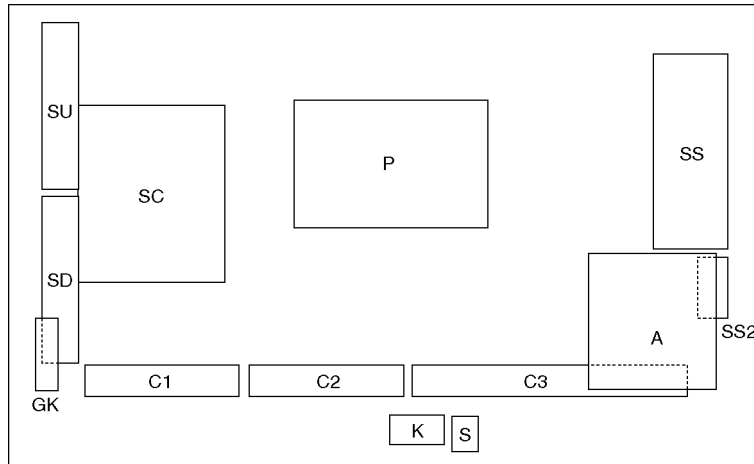
3 Service Navigation

3.1. Service Hint

Remove the Rear cover



Remove:
 2screws (1) THEL052Z
 11screws (2) XTB4+12GFJK
 11screws (3) THEL0429



Board Name	Function	Board Name	Function
P	Power Supply	C1	Data Driver (Lower Right)
A	DC-DC Converter, Tuner Speaker out, AV Terminal, AV Switch, PC Digital Signal Processor, SYSTEM MPU, HDMI Switch Peaks-AVC, Ethernet Format Converter, Plasma AI, Sub-Field Processor	C2	Data Driver (Lower Center)
		C3	Data Driver (Lower Left)
		SC	Scan Drive
		SS	Sustain Drive
		SS2	Sustain out (Lower)
K	Remote receiver, Power LED, C.A.T.S sensor	SU	Scan out (Upper) Non-serviceable. SU-Board should be exchanged for service.
S	Power Switch		
GK	Key Switch		
		SD	Scan out (Lower) Non-serviceable. SD-Board should be exchanged for service.

3.2. Applicable signals

COMPONENT (Y, P_B/C_B, P_R/C_R), HDMI

* Mark: Applicable input signal

Signal name	COMPONENT	HDMI
525 (480) / 60i	*	*
525 (480) / 60p	*	*
625 (576) / 50i	*	*
625 (576) / 50p	*	*
750 (720) / 60p	*	*
750 (720) / 50p	*	*
1,125 (1,080) / 60i	*	*
1,125 (1,080) / 50i	*	*
1,125 (1,080) / 60p		*
1,125 (1,080) / 50p		*
1,125 (1,080) / 24p		*

PC (D-sub 15P)

Signal name	Horizontal frequency (kHz)	Vertical frequency (Hz)
640 × 400 @70 Hz	31.47	70.07
640 × 480 @60 Hz	31.47	59.94
640 × 480 @75 Hz	37.50	75.00
800 × 600 @60 Hz	37.88	60.32
800 × 600 @75 Hz	46.88	75.00
800 × 600 @85 Hz	53.67	85.06
852 × 480 @60 Hz	31.44	59.89
1,024 × 768 @60 Hz	48.36	60.00
1,024 × 768 @70 Hz	56.48	70.07
1,024 × 768 @75 Hz	60.02	75.03
1,024 × 768 @85 Hz	68.68	85.00
1,280 × 1,024 @60 Hz	63.98	60.02
1,280 × 768 @60 Hz	47.70	60.00
1,366 × 768 @60 Hz	48.39	60.04
Macintosh13 inch (640 × 480)	35.00	66.67
Macintosh16 inch (832 × 624)	49.73	74.55
Macintosh21 inch (1,152 × 870)	68.68	75.06

Note

- Signals other than above may not be displayed properly.
- The above signals are reformatted for optimal viewing on your display.
- Applicable input signal for PC is basically compatible to VESA standard timing.
- PC signal is magnified or compressed for display, so that it may not be possible to show fine detail with sufficient clarity.

4 Specifications

Power Source	AC 220-240 V, 50 / 60 Hz
Power Consumption	
Average use	430 W
Standby condition	0.4 W
Display panel	
Aspect Ratio	16:9
Visible screen size	127 cm (diagonal) 1,105 mm (W) × 622 mm (H)
Number of pixels	2,073,600 (1,920 (W) × 1,080 (H)) [5,760 × 1,080 dots]
Sound	
Speaker	160 mm × 40 mm × 2 pcs, 6 Ω
Audio Output	20 W (10 W + 10 W), 10 % THD
Headphones	M3 (3.5 mm) stereo mini Jack × 1
PC signals	VGA, SVGA, XGA SXGA (compressed) Horizontal scanning frequency 31 - 69 kHz Vertical scanning frequency 59 - 86 Hz

Receiving Systems / Band name

17 Systems		Function	17 Systems		Function
1	PAL B, G, H	Reception of broadcast transmissions and Playback from Video Cassette Tape Recorders	8	NTSC 4.43/5.5 MHz	Playback from Special VCR's or DVD
2	PAL I		9	NTSC 4.43/6.0 MHz	
3	PAL D, K		10	NTSC 4.43/6.5 MHz	
4	SECAM B, G		11	NTSC 3.58/5.5 MHz	
5	SECAM D, K		12	NTSC 3.58/6.0 MHz	
6	SECAM K1		13	NTSC 3.58/6.5 MHz	
7	NTSC M (NTSC 3.58/4.5 MHz)		14	SECAM I	
			15	PAL 60 Hz/5.5 MHz	Playback from Special Disc Players and Special VCR's or DVD
			16	PAL 60 Hz/6.0 MHz	
			17	PAL 60 Hz/6.5 MHz	

Receiving Channels (Regular TV)

VHF BAND	2 - 12 (PAL/SECAM B, K1) 0 - 12 (PAL B AUST.) 1 - 9 (PAL B N.Z.) 1 - 12 (PAL/SECAM D) 1 - 12 (NTSC M Japan) 2 - 13 (NTSC M USA)
UHF BAND	21 - 69 (PAL G, H, I/SECAM G, K, K1) 28 - 69 (PAL B AUST.) 13 - 57 (PAL D, K) 13 - 62 (NTSC M Japan) 14 - 69 (NTSC M USA)
CATV	S1 - S20 (OSCAR) 1 - 125 (USA CATV) C13 - C49 (JAPAN) S21 - S41 (HYPER) Z1 - Z37 (CHINA) 5A, 9A (AUST.)

Aerial - Rear

VHF/UHF

Operating Conditions

Temperature:	0 °C - 40 °C
Humidity:	20 % - 80 % RH (non-condensing)

Connection Terminals

AV1 Input

AUDIO L - R	RCA PIN Type × 2	0.5 V [rms]
VIDEO	RCA PIN Type × 1	1.0 V [p-p] (75 Ω)

AV2 Input

AUDIO L - R	RCA PIN Type × 2	0.5 V [rms]
VIDEO	RCA PIN Type × 1	1.0 V [p-p] (75 Ω)
COMPONENT	Y	1.0 V [p-p] (including synchronization)
	P _B /C _B , P _R /C _R	± 0.35 V [p-p]

AV3 Input

AUDIO L - R	RCA PIN Type × 2	0.5 V [rms]
VIDEO	RCA PIN Type × 1	1.0 V [p-p] (75 Ω)
S VIDEO	Mini DIN 4-pin	Y:1.0 V [p-p] (75 Ω) C:0.286 V [p-p] (75 Ω)

AV4 Input

AUDIO L - R	RCA PIN Type × 2	0.5 V [rms]
VIDEO	RCA PIN Type × 1	1.0 V [p-p] (75 Ω)

Monitor Output		
AUDIO L - R	RCA PIN Type × 2	0.5 V [rms] (high impedance)
VIDEO	RCA PIN Type × 1	1.0 V [p-p] (75 Ω)
Others		
HDMI1 - 3 Input	TYPE A Connectors	● This TV supports "HDAVI Control 4" function.
PC Input	HIGH-DENSITY D-SUB 15PIN	R, G, B/ 0.7 V [p-p] (75 Ω) HD, VD/TTL Level 2.0 - 5.0 V [p-p] (high impedance)
DIGITAL AUDIO OUT	PCM / Dolby Digital, Fiber optic	
Card slot	SD Card slot × 1	
Dimensions (W × H × D)	1,218 mm × 814 mm × 401 mm (With Pedestal)	
	1,218 mm × 769 mm × 105 mm (TV only)	
Mass	34.0 kg Net (With Pedestal)	
	32.0 kg Net (TV only)	

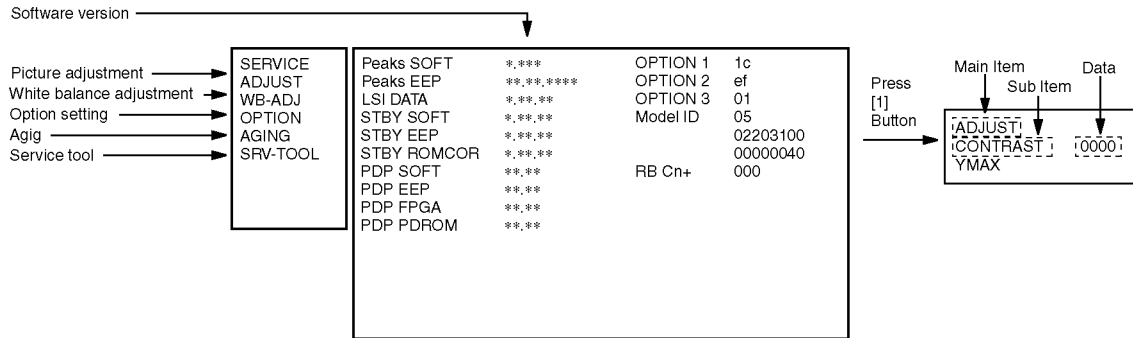
Note

- Design and Specifications are subject to change without notice. Mass and Dimensions shown are approximate.
- Pedestal: ST-42CF2WG / ST-50CF2WG (For safety approval)

5 Service Mode

5.1. How to enter into Service Mode

While pressing [VOLUME (-)] button of the main unit, press [0] button of the remote control three times within 2 seconds.



5.1.1. Key command

- [1] button...Main items Selection in forward direction
- [2] button...Main items Selection in reverse direction
- [3] button...Sub items Selection in forward direction
- [4] button...Sub items Selection in reverse direction
- [RED] button...All Sub items Selection in forward direction
- [GREEN] button...All Sub items Selection in reverse direction
- [VOL] button...Value of sub items change in forward direction (+), in reverse direction (-)

5.1.2. Contents of adjustment mode

- Value is shown as a hexadecimal number.
- Preset value differs depending on models.
- After entering the adjustment mode, take note of the value in each item before starting adjustment.

Main item	Sub item	Sample data	Remark
ADJUST	CONTRAST	249	
	COLOR	2B	
	TINT	00	
	SUB-BRT	80C	
	H-POS	2	
	H-AMP	0	
	V-POS	0	
	V-AMP	0	
WB-ADJ	R-CUT	80	
	G-CUT	80	
	B-CUT	80	
	R-DRV	FC	
	G-DRV	F1	
	B-DRV	EB	
	ALL-CUT	80	
	ALL-DRV	FC	
OPTION	Panel-Type	50FHD	Factory Preset
	Boot	ROM	
	STBY-SET	00	
	EMERGENCY	ON	
	Y/C Delay	-1	
	OPT 1	11100010	
	OPT 2	00000001	
	OPT 3	00000001	
AGING	RGBW		
	Vertical line		
	All white (COUNTER)		
	All white		
	All red		
	All green		
	All blue		
	ON/OFF		
	Diagonal lamp W		
	Diagonal lamp R		
	Diagonal lamp G		
	Diagonal lamp B		
	1% WINDOW		
	COLOR BAR		
	A B zone/checkerd 4 trio		
	SCROLL BAR		
	2dot width border		
	Low setup red		
Low setup green			
Low setup blue			
SRV-TOOL			see next

Destinations	Mid E, etc
Checksum	6763
EDID	e2 2b1b0b--

5.1.3. How to exit

Switch off the power with the [POWER] button on the main unit or the [POWER] button on the remote control.

5.2. Service tool mode

5.2.1. How to access

1. Select [SRV-TOOL] in Service Mode.
2. Press [OK] button on the remote control.

SRV-TOOL	
Display of TD2Microcode version →	TD2Microcode:00500985
Display of Flash ROM maker code →	Flash ROM : 1 - 227E
Display of SOS History →	PTCT : 00 . 00 . 00 . 00 . 00
	Time 00000:40 On/Off 0000022

← POWER ON Time, On/Off
Press [MUTE] button (3sec)

5.2.2. Display of SOS History

SOS History (Number of LED blinking) indication.

From left side; Last SOS, before Last, three occurrence before, 2nd occurrence after shipment, 1st occurrence after shipment.
This indication will be cleared by [Self-check indication and forced to factory shipment setting].

5.2.3. POWER ON Time, On/Off

Note : To display Time, On/Off menu, highlight position, then press MUTE for 3sec.

Time : Cumulative power on time, indicated hour : minute by decimal

On/Off : Number of On/Off switching by decimal

Note : This indication will not be cleared by either of the self-checks or any other command.

5.2.4. Exit

1. Disconnect the AC cord from wall outlet or switch off the power with [Power] button on the main unit.

5.3. Hotel mode

1. Purpose

Restrict a function for hotels.

2. Access command to the Hotel mode setup menu

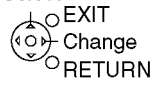
In order to display the Hotel mode setup menu, please enter the following command (**within 2 second**).

[TV] : Vol. [Down] + [REMOTE] : AV (3 times)

Then, the Hotel mode setup menu is displayed.

Hotel Mode	
Hotel Mode	Off
Initial INPUT	Off
Initial POS	Off
Initial VOL Level	Off
Maximum Vol Level	100
Button Lock	Off
Remote Lock	Off

Select



3. To exit the Hotel mode setup menu

Disconnect AC power cord from wall outlet.

4. Explain the Hotel mode setup menu

item	Function
Hotel Mode	Select hotel mode ON/OFF
Initial INPUT	Select input signal modes. Set the input, when each time power is switched on. Selection : Off/TV/AV1/AV2/AV3/AV4/PC/HDMI1/HDMI2/HDMI3 <ul style="list-style-type: none"> Off: give priority to a last memory. However, Euro model is compulsorily set to TV. AVnS/AVnC: only Euro model selectable PC: selectable with VGA option
Initial POS	Select programme number. Selection : Off/0 to 99 <ul style="list-style-type: none"> Off: give priority to a last memory
Initial VOL level	Adjust the volume when each time power is switched on. Selection/Range : Off/0 to 63 <ul style="list-style-type: none"> Off: give priority to a last memory
Maximum VOL level	Adjust maximum volume. Range : 0 to 63
Button lock	Select local key conditions. Selection : Off/SETUP/MENU/ALL <ul style="list-style-type: none"> Off: altogether valid SETUP: only F-key is invalid (Tuning guide(menu) can not be selected.) MENU: only F-key is invalid (only Volume/Mute can be selected.) ALL: altogether invalid.
Remote lock	Select remote control key conditions. Selection : Off/SETUP/MENU <ul style="list-style-type: none"> Off: altogether valid SETUP: only Setup menu is invalid MENU: Picture/Sound/Setup menu are invalid

6 Troubleshooting Guide

Use the self-check function to test the unit.

1. Checking the IIC bus lines
2. Power LED Blinking timing

6.1. Check of the IIC bus lines

6.1.1. How to access

Self-check indication only:

Produce TV reception screen, and while pressing [VOLUME (-)] button on the main unit, press [OK] button on the remote control for more than 3 seconds.

Self-check indication and forced to factory shipment setting:

Produce TV reception screen, and while pressing [VOLUME (-)] button on the main unit, press [MENU] button on the remote control for more than 3 seconds.

6.1.2. Screen display

50FHD SET	Panasonic 2009PDP SELF CHECK COMPLETE																																																			
<table style="width: 100%; border-collapse: collapse;"> <tr><td>ADV</td><td>OK</td></tr> <tr><td>ADAV</td><td>OK</td></tr> <tr><td>TUN</td><td>OK</td></tr> <tr><td>GENX</td><td>OK</td></tr> <tr><td>MEN1</td><td>OK</td></tr> <tr><td>MEN2</td><td>OK</td></tr> <tr><td>AVSW</td><td>OK</td></tr> <tr><td>PDP-PANEL</td><td>OK</td></tr> <tr><td>OFDM</td><td>OK</td></tr> <tr><td>TEMP</td><td>OK</td></tr> <tr><td>VIF</td><td>OK</td></tr> </table>	ADV	OK	ADAV	OK	TUN	OK	GENX	OK	MEN1	OK	MEN2	OK	AVSW	OK	PDP-PANEL	OK	OFDM	OK	TEMP	OK	VIF	OK	<table style="width: 100%; border-collapse: collapse;"> <tr><td>PEAKS-SOFT</td><td style="text-align: right;">*,**</td></tr> <tr><td>PEAKS-EEP</td><td style="text-align: right;">**,**,**</td></tr> <tr><td>GENX-SOFT</td><td style="text-align: right;">*,**,**</td></tr> <tr><td>GENX-EEP</td><td style="text-align: right;">**,**,**</td></tr> <tr><td>GENX-ROMCOR</td><td style="text-align: right;">**,**</td></tr> <tr><td>PDP-MCU</td><td style="text-align: right;">**,**</td></tr> <tr><td>PDP-EEP</td><td style="text-align: right;">**,**</td></tr> <tr><td>PDP-FPGA</td><td style="text-align: right;">**,**</td></tr> <tr><td>PDP-PDPOM</td><td style="text-align: right;">**,**</td></tr> </table>	PEAKS-SOFT	*,**	PEAKS-EEP	**,**,**	GENX-SOFT	*,**,**	GENX-EEP	**,**,**	GENX-ROMCOR	**,**	PDP-MCU	**,**	PDP-EEP	**,**	PDP-FPGA	**,**	PDP-PDPOM	**,**	<table style="width: 100%; border-collapse: collapse;"> <tr><td>SUM</td><td style="text-align: right;">6648</td></tr> <tr><td>Model ID</td><td style="text-align: right;">06</td></tr> <tr><td></td><td style="text-align: right;">02203100</td></tr> <tr><td></td><td style="text-align: right;">00000020</td></tr> <tr><td>EDID</td><td style="text-align: right;">e2 2b1b0b--</td></tr> </table>	SUM	6648	Model ID	06		02203100		00000020	EDID	e2 2b1b0b--
ADV	OK																																																			
ADAV	OK																																																			
TUN	OK																																																			
GENX	OK																																																			
MEN1	OK																																																			
MEN2	OK																																																			
AVSW	OK																																																			
PDP-PANEL	OK																																																			
OFDM	OK																																																			
TEMP	OK																																																			
VIF	OK																																																			
PEAKS-SOFT	*,**																																																			
PEAKS-EEP	**,**,**																																																			
GENX-SOFT	*,**,**																																																			
GENX-EEP	**,**,**																																																			
GENX-ROMCOR	**,**																																																			
PDP-MCU	**,**																																																			
PDP-EEP	**,**																																																			
PDP-FPGA	**,**																																																			
PDP-PDPOM	**,**																																																			
SUM	6648																																																			
Model ID	06																																																			
	02203100																																																			
	00000020																																																			
EDID	e2 2b1b0b--																																																			

6.1.3. Check Point

Confirm the following parts if NG was displayed.

Display	Ref. No.	Description	P.C.B.
ADV	IC4510	AD/HDMI	A-Board
ADAV	IC2106	Sound Processor	A-Board
TUN	TU8301	Tuner	A-Board
GENX	IC1100	GenX (STB MCU)	A-Board
MEM1	IC1101	EEPROM (GenX)	A-Board
MEM2	IC8502	EEPROM (Peaks)	A-Board
AVSW	IC3001	Audio/Video SW	A-Board
PDP-PANEL	IC9003	MICOM	A-Board
OFDM	IC8301	Digital demodulator	A-Board
TEMP	IC4800	Temp Sensor	A-Board
VIF	TU8301	Tuner	A-Board

6.1.4. Exit

Disconnect the AC cord from wall outlet or switch off the power with [Power] button on the main unit.

6.2. Power LED Blinking timing chart

1. Subject

Information of LED Flashing timing chart.

2. Contents

When an abnormality has occurred the unit, the protection circuit operates and reset to the stand by mode. At this time, the defective block can be identified by the number of blinks of the Power LED on the front panel of the unit.

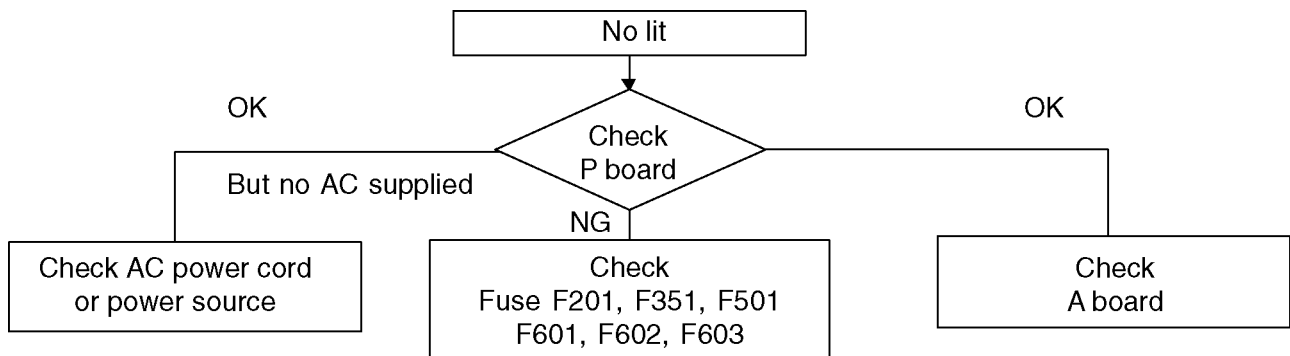
Blinking Times	Blinking timing	Contents	Check point
1		No particular check point	-
		Panel Status	-
		STB 5V SENSE Time out	A-Board
2		15V SOS	A-Board
3		3.3V SOS	A-Board
4		Power SOS	P-Board
5		5V SOS	A-Board
6		Driver SOS1 (SC Energy recovery circuit)	SU-Board SD-Board SC-Board
7		Driver SOS2 (SC floating voltage area)	SU-Board SD-Board SC-Board
8		Driver SOS3 (SS FPC/DET) (SS Energy recovery circuit)	SS-Board SS2-Board
9		Communication Error between Panel-MPU and SYS-MPU	A-Board
10		Sub 5V SOS Main 3.3V SOS DTV 9V SOS Tuner Power SOS	A-Board
12		Sound SOS	A-Board
14		Audio PWM SOS	A-Board

6.3. No Power

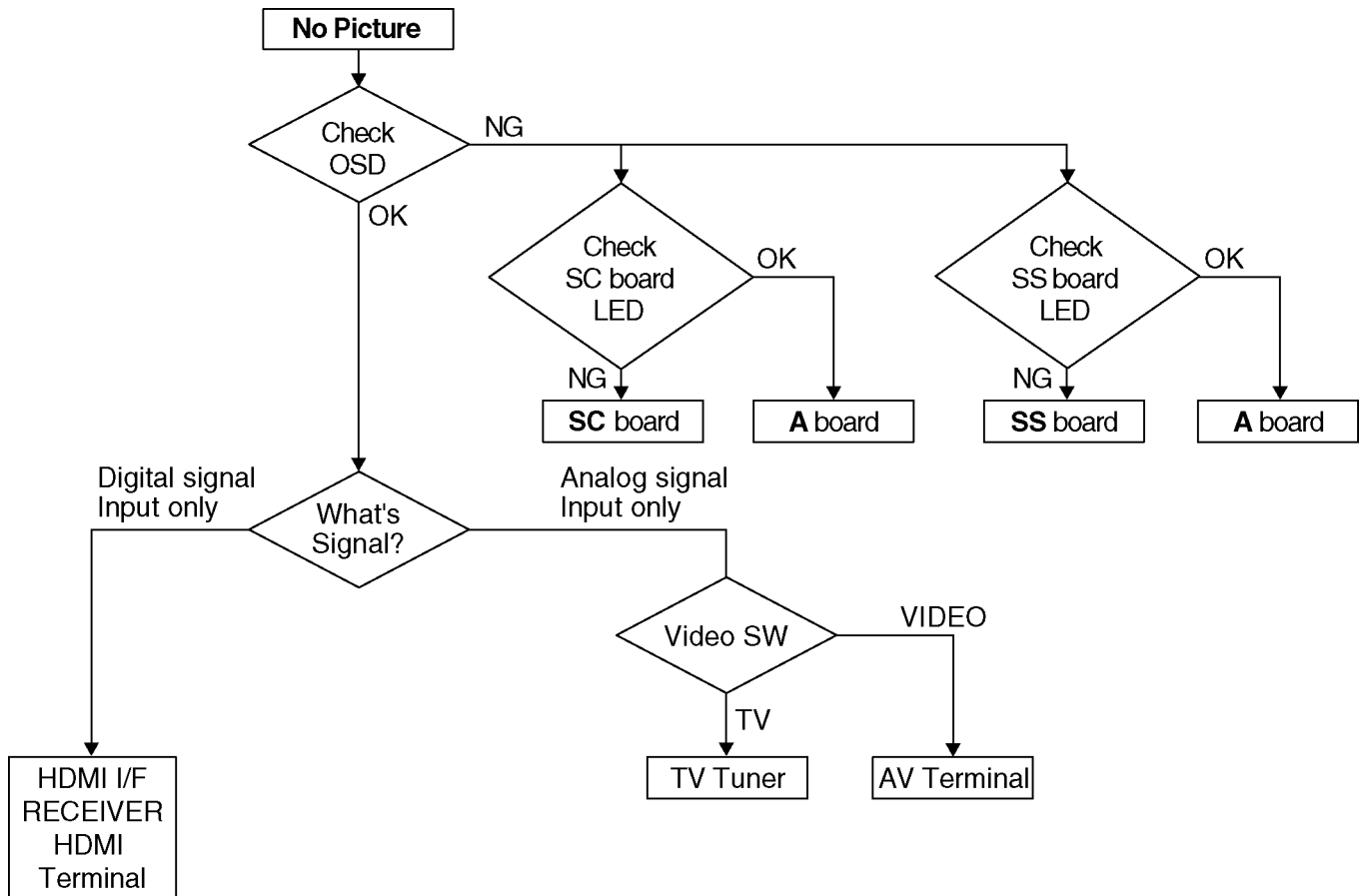
First check point

There are following 2 states of No Power indication by power LED.

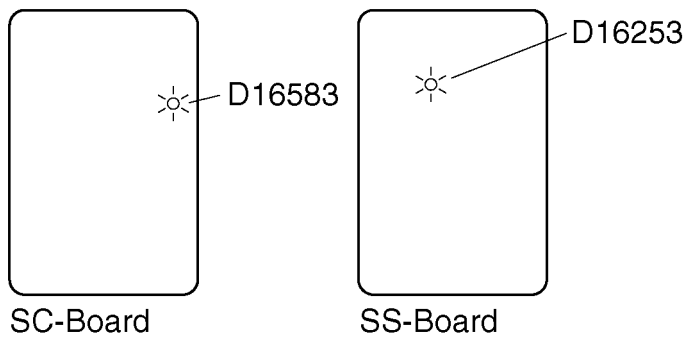
1. No lit
2. Red is lit then turns red blinking a few seconds later. (See 6.2.)



6.4. No Picture



Drive circuits LED indicator



6.5. Local screen failure

Plasma display may have local area failure on the screen. Fig-1 is the possible defect P.C.B. for each local area.

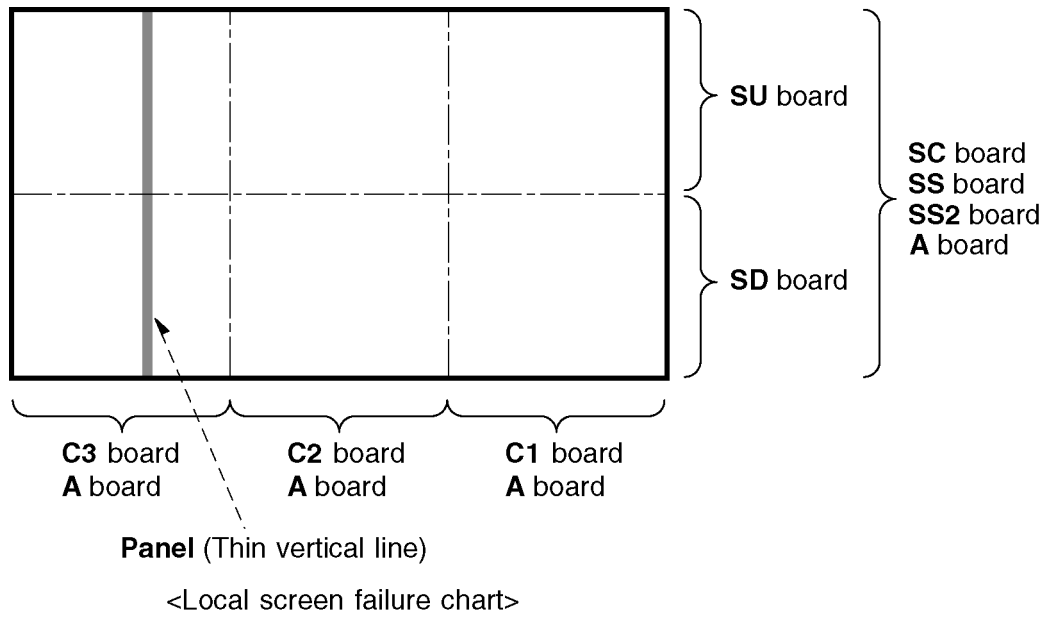


Fig-1

7 Disassembly and Assembly Instructions

7.1. Remove the Rear cover

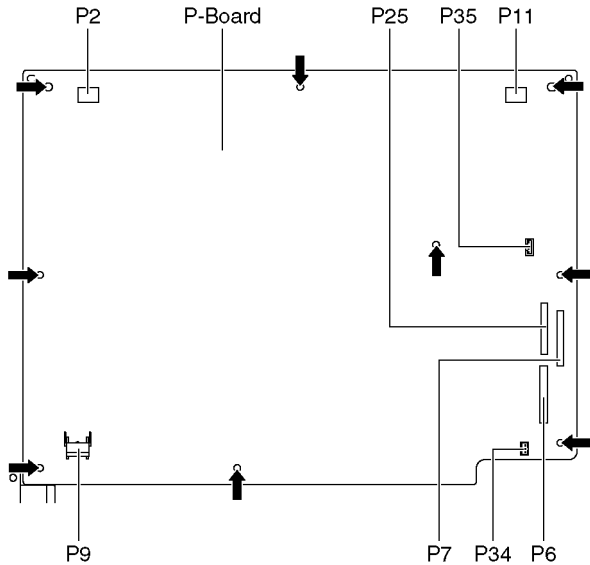
1. See Service Hint (Section 3)

7.2. Remove the P-Board

Caution:

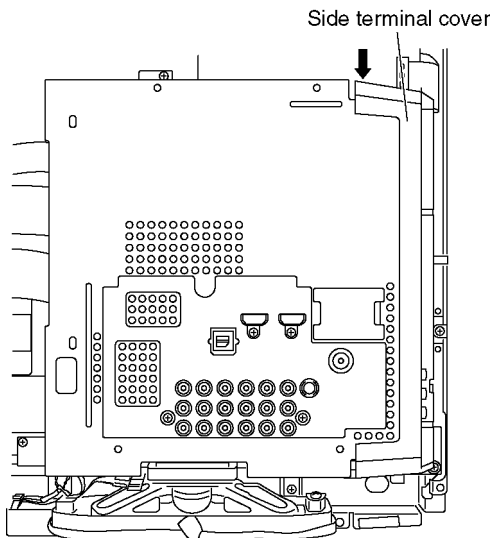
To remove P.C.B. wait 1 minute after power was off for discharge from electrolysis capacitors.

1. Unlock the cable clampers to free the cable
2. Disconnect the connectors (P2, P6, P7, P9, P11, P25, P34 and P35).
3. Remove the screws (×9 ➡) and remove the P-Board.

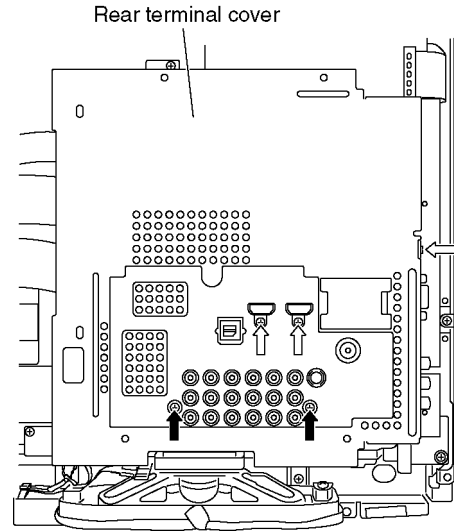


7.3. Remove the Side terminal cover and Rear terminal cover

1. Remove the claw (×1 ➡).
2. Remove the Side terminal cover.

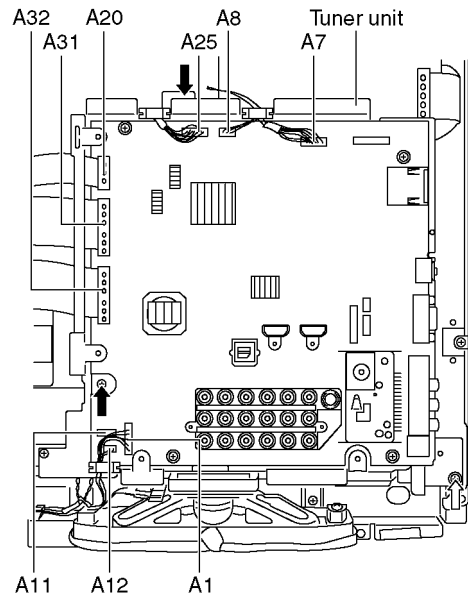


3. Remove the Adjustment cover.
4. Remove the screws (×2 ➡, ×3 ⇨).
5. Remove the Rear terminal cover.



7.4. Remove the Tuner unit

1. Unlock the cable clampers to free the cable.
2. Disconnect the connectors (A1, A7, A8, A11, A12 and A25).
3. Disconnect the flexible cables (A20, A31 and A32).
4. Remove the screws (×2 ➡, ×1 ⇨) and remove the Tuner unit.



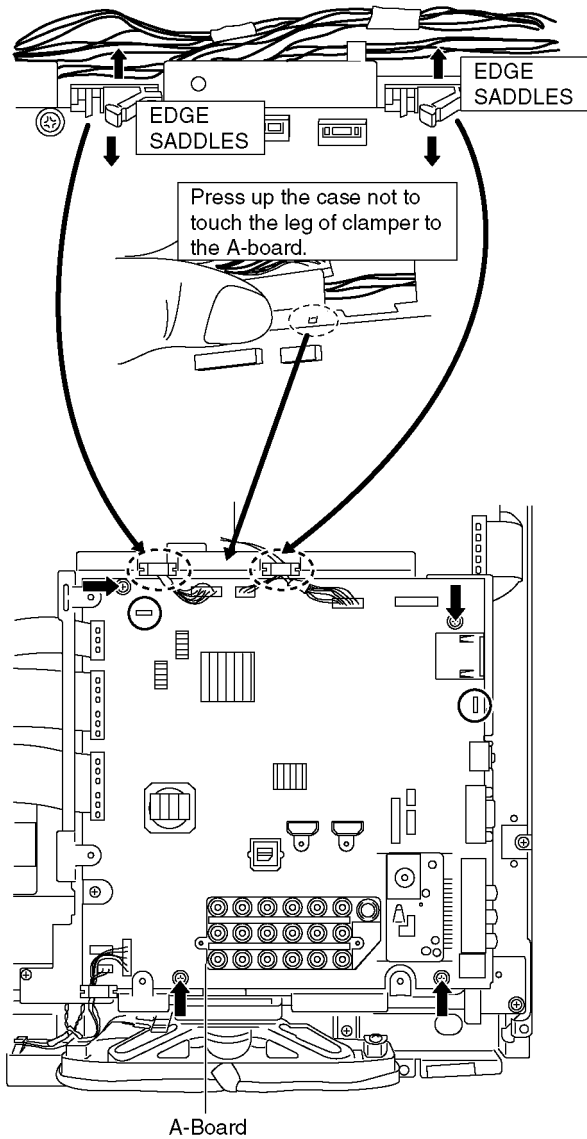
7.5. Remove the A-Board

1. Remove the Tuner unit. (See section 7.4.)
2. Remove two EDGE SADDLES at top of case.
Twist the EDGE SADDLE to press up at the back and pull down the front side.
3. Remove the screws (×4 ➡) and remove the A-Board.

Caution :

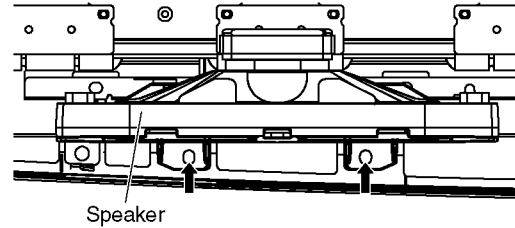
Press up the case not to touch the leg of clamber to the A-board.

Pay attention two metal projection ○ from back side when removal and assemble.



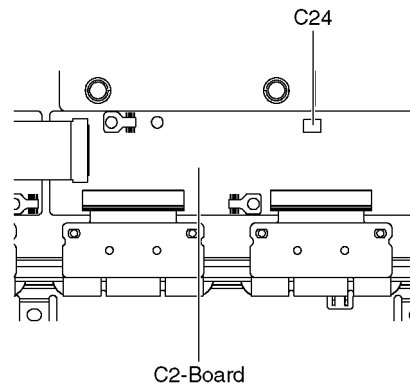
7.6. Remove the Speakers

1. Unlock the cable claspers to free the cable.
2. Disconnect the relay connector.
3. Remove the screws (×2 ➡) and remove the Speaker R.
4. Disconnect the connector (A12). (See section 7.4.)
5. Remove the screws (×2 ➡) and remove the Speaker L.

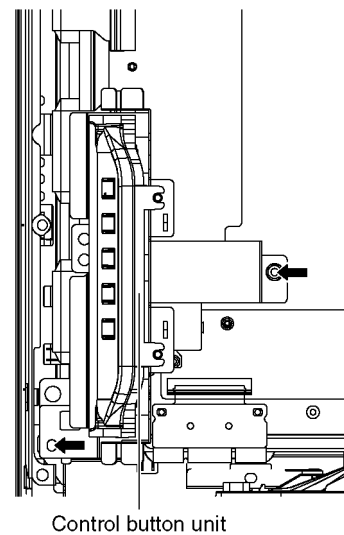


7.7. Remove the Control button unit

1. Disconnect the connector (C24).

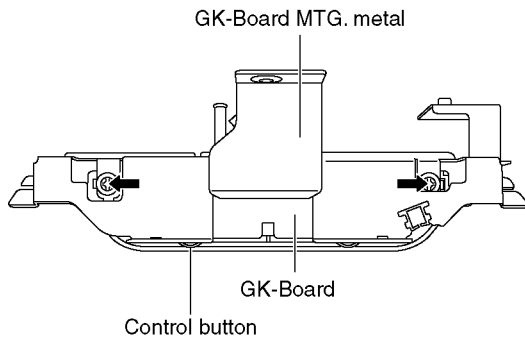


2. Remove the screws (×2 ➡).
3. Remove the Control button unit.

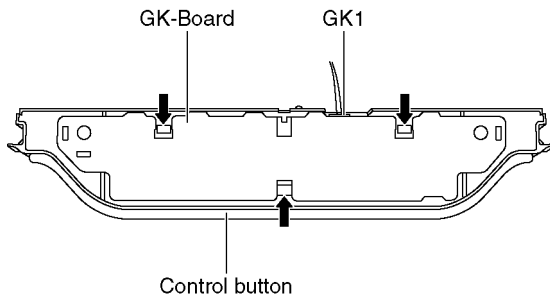


7.8. Remove the GK-Board

1. Remove the Control button unit. (See section 7.7.)
2. Remove the screws (×2 ➡).
3. Remove the GK-Board MTG. metal.

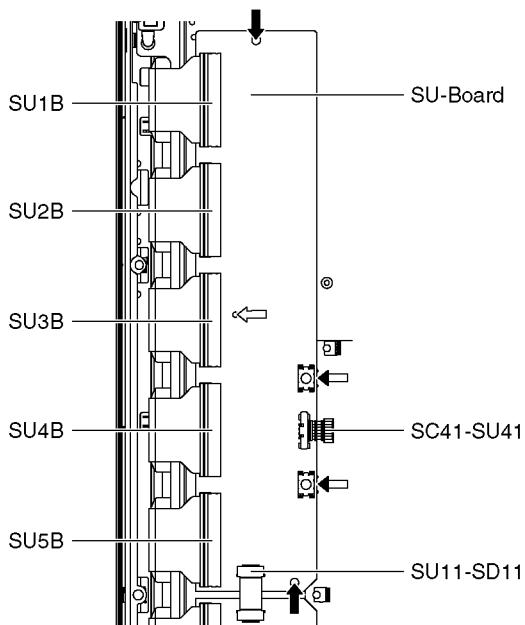


4. Remove the claw (×3 ➡).
5. Disconnect the connector (GK1).
6. Remove the GK-Board from Control button.



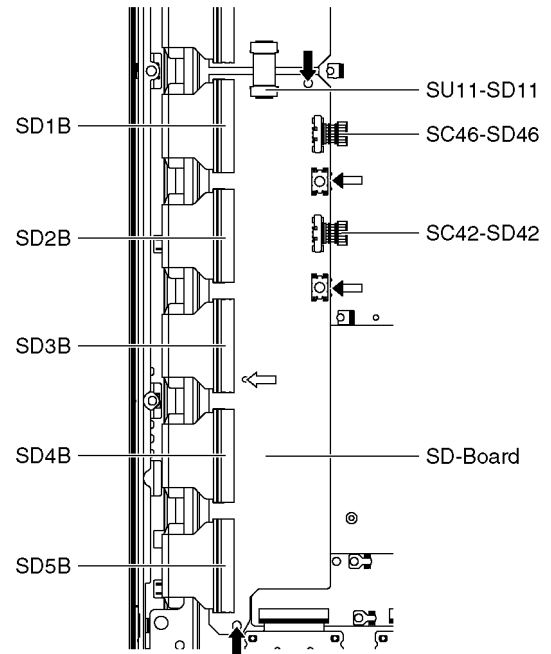
7.9. Remove the SU-Board

1. Remove the flexible cables (SU1B, SU2B, SU3B, SU4B and SU5B) connected to the SU-Board.
2. Remove the flexible cable (SU11-SD11) and the bridge connector (SC41-SU41).
3. Remove the molding prop (×1 ⇐).
4. Remove the screws (×2 ➡, ×2 ⇐) and remove the SU-Board.



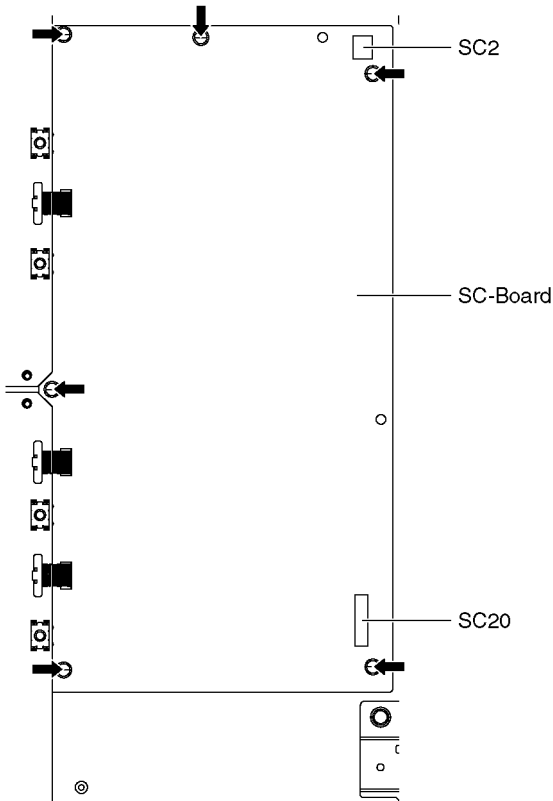
7.10. Remove the SD-Board

1. Remove the Control button unit. (See section 7.7.)
2. Remove the flexible cables (SD1B, SD2B, SD3B, SD4B and SD5B) connected to the SD-Board.
3. Remove the flexible cable (SU11-SD11) and the bridge connectors (SC42-SD42 and SC46-SD46).
4. Remove the molding prop (×1 ⇐).
5. Remove the screws (×2 ➡, ×2 ⇐) and remove the SD-Board.



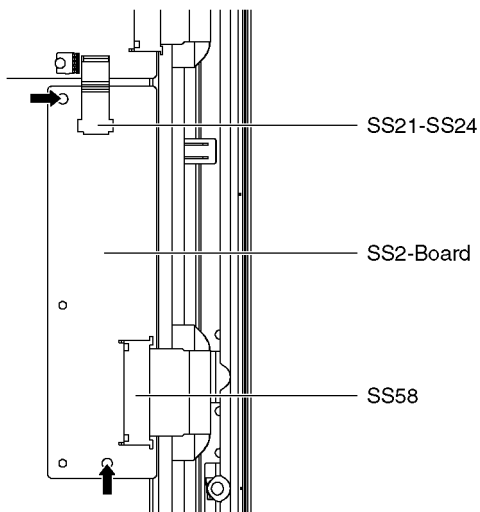
7.11. Remove the SC-Board

1. Remove the SU-Board and SD-Board. (See section 7.9. and 7.10.)
2. Unlock the cable clampers to free the cable.
3. Disconnect the connector (SC2).
4. Disconnect the flexible cable (SC20).
5. Remove the screws (×6 ➡) and remove the SC-Board.



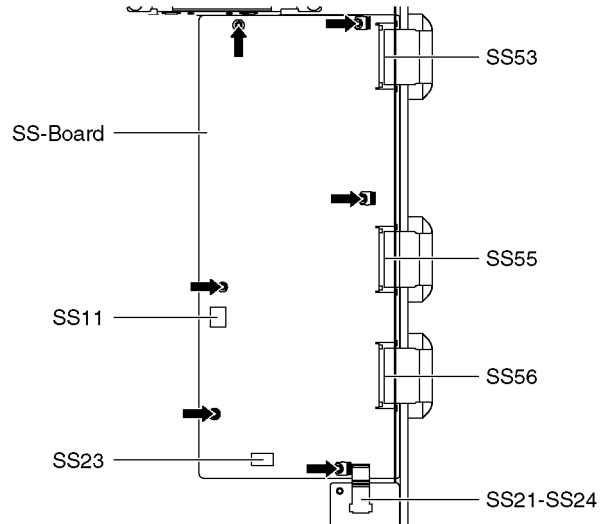
7.12. Remove the SS2-Board

1. Remove the Tuner unit. (See section 7.4.)
2. Disconnect the bridge connector (SS21-SS24) and disconnect the flexible cable (SS58).
3. Remove the screws (×2 ➡) and remove the SS2-Board.



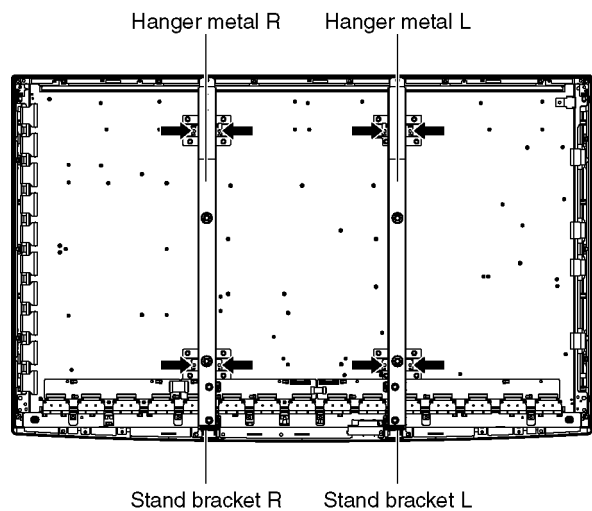
7.13. Remove the SS-Board

1. Remove the Tuner unit. (See section 7.4.)
2. Unlock the cable clampers to free the cable.
3. Disconnect the connectors (SS11 and SS33).
4. Disconnect the flexible cables (SS53, SS55 and SS56).
5. Disconnect the bridge connector (SS21-SS24).
6. Remove the screws (×6 ➡) and remove the SS-Board.

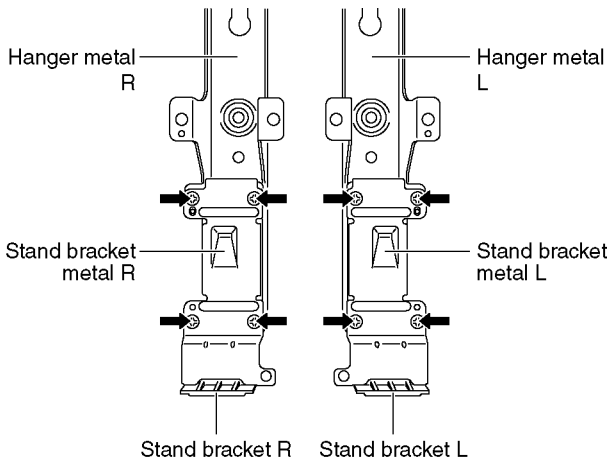


7.14. Remove the Hanger metals and the Stand brackets

1. Remove the Plasma panel section from the servicing stand and lay on a flat surface such as a table (covered by a soft cloth) with the Plasma panel surface facing downward.
2. Remove the Hanger metals (L, R) fastening screws (×4 ➡ each) and remove the Hanger metals (L, R).

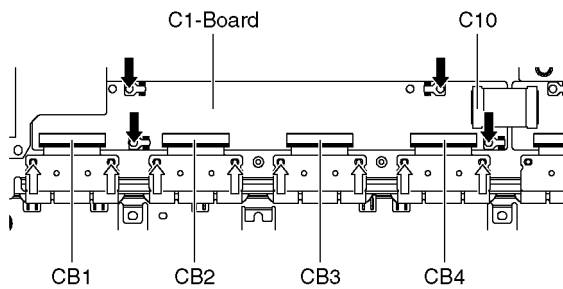


3. Remove the Stand brackets (L, R) fastening screws (×4 ➡ each) and remove the Stand bracket metals (L, R) and the Stand brackets (L, R).



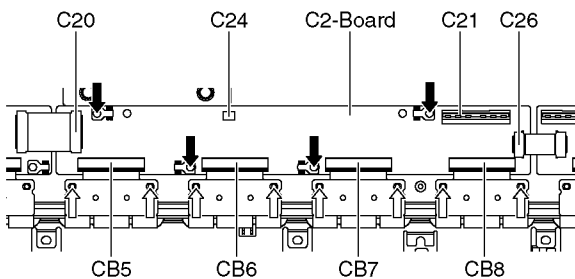
7.15. Remove the C1-Board

1. Remove the Control button unit. (See section 7.7.)
2. Remove the flexible cables holder fastening screws (×8 ⇨).
3. Disconnect the flexible cables (CB1, CB2, CB3 and CB4).
4. Disconnect the flexible cable (C10).
5. Remove the screws (×4 ⇨) and remove the C1-Board.



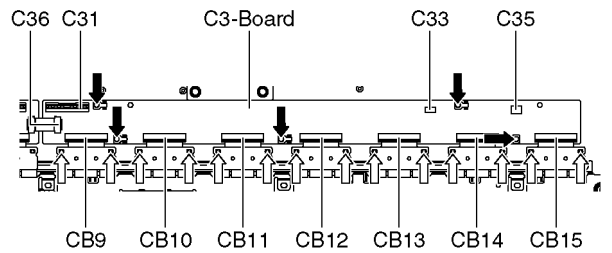
7.16. Remove the C2-Board

1. Remove the Hanger metal R and the Stand bracket R. (See section 7.14.)
2. Remove the flexible cables holder fastening screws (×8 ⇨).
3. Disconnect the flexible cables (CB5, CB6, CB7 and CB8).
4. Disconnect the flexible cables (C20, C21 and C26).
5. Disconnect the connector (C24).
6. Remove the screws (×4 ⇨) and remove the C2-Board.



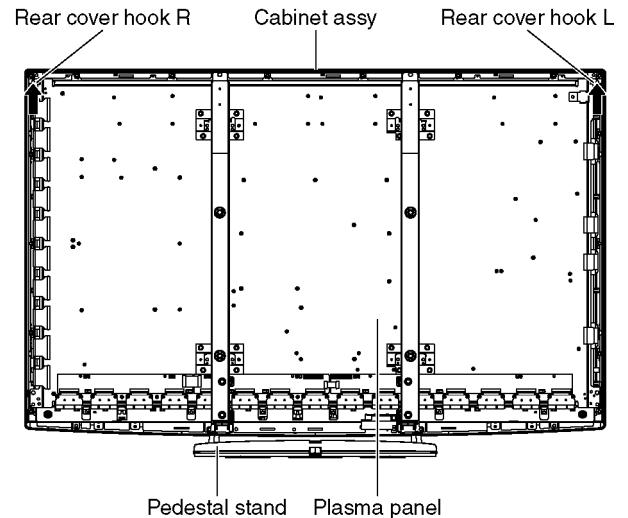
7.17. Remove the C3-Board

1. Remove the Tuner unit. (See section 7.4.)
2. Remove the Hanger metal L and the Stand bracket L. (See section 7.14.)
3. Remove the flexible cables holder fastening screws (×14 ⇨).
4. Disconnect the flexible cables (CB9, CB10, CB11, CB12, CB13, CB14 and CB15).
5. Disconnect the flexible cables (C31 and C36).
6. Disconnect the connectors (C33 and C35).
7. Remove the screws (×5 ⇨) and remove the C3-Board.

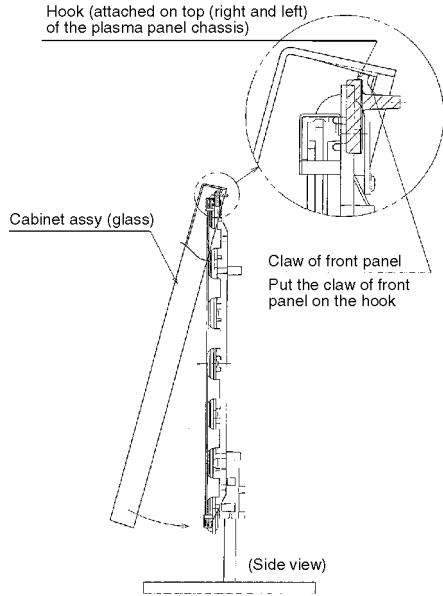


7.18. Remove the Plasma panel section from the Cabinet assy (glass)

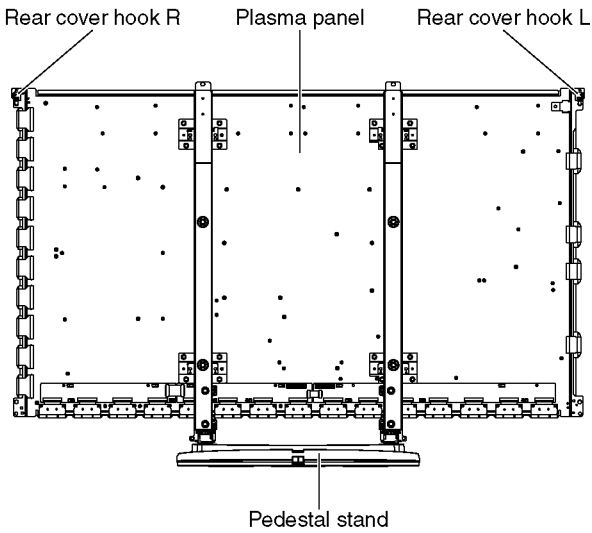
1. Remove the cabinet assy and the plasma panel fastening screws (×2 ⇨).



2. For leaving the plasma panel from the front frame, pull the bottom of the cabinet assy forward, lift, and remove.

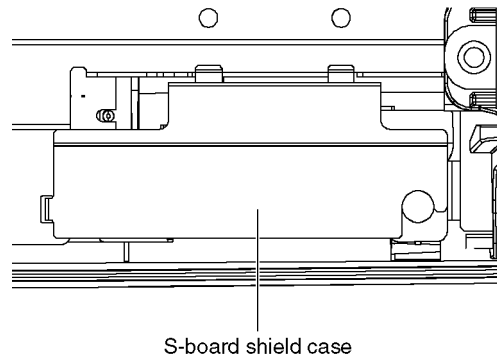


3. Remove the Rear cover hooks (L, R).

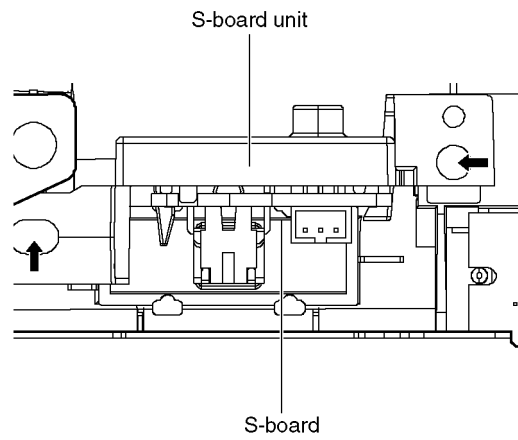


7.19. Remove the S-Board

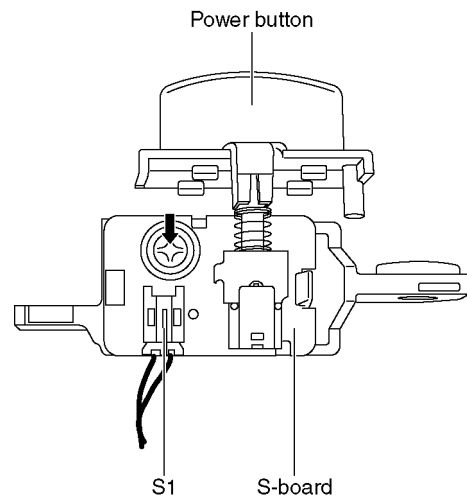
1. Remove the Cabinet assy. (See section 7.18.)
2. Remove the S-Board shield case.



3. Remove the screws (x2 ➡) and remove the S-Board unit.

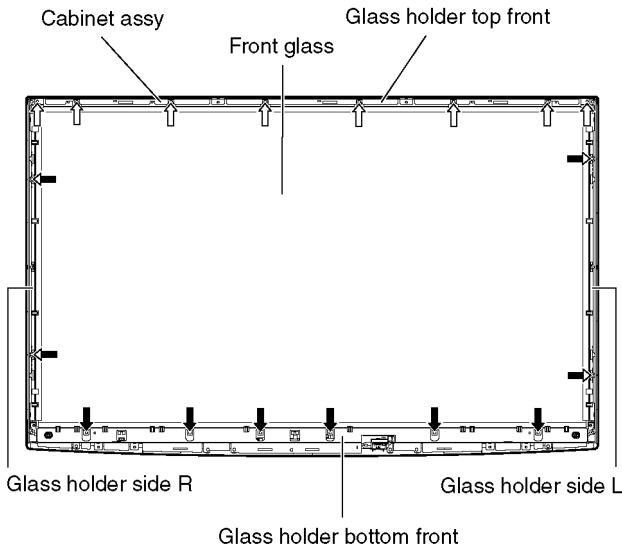


4. Disconnect the connector (S1).
5. Remove the Power button.
6. Remove the screw (x1 ➡) and remove the S-Board.



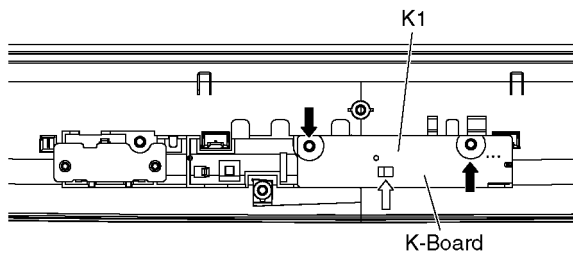
7.20. Remove the Front glass

1. Remove the Cabinet assy. (See section 7.18.)
2. Remove the S-Board. (See section 7.19.)
3. Remove the screws (×6 ➡).
4. Remove the screws (×4 ➡).
5. Remove the Glass holder side (L, R).
6. Remove the screws (×8 ⇨).
7. Remove the Glass holder top front.
8. Remove the Glass holder bottom front.
9. Remove the Front glass.



7.21. Remove the K-Board

1. Remove the Front glass. (See section 7.20.)
2. Remove the screw (×2 ➡).
3. Remove the claw (×1 ⇨).
4. Disconnect the connector (K1) and remove the K-Board from LED Panel.



7.22. Replace the plasma panel

Caution:

A new plasma panel itself without Hanger metals is fragile.

To avoid the damage to new plasma panel, carry a new plasma panel taking hold of the Hanger metals after assembling the Hanger metals and the Stand brackets.

1. Place a carton box packed a new plasma panel on the flat surface of the work bench.
2. Open a box and without taking a new plasma panel; Attach the C1-Board, C2-Board and the C3-Board, connect the flexible cables from the plasma panel to the C1-Board, C2-Board and the C3-Board, and fit the flexible cable holders.
3. Attach the Hanger metals and the Stand brackets to the new plasma panel.
4. Place the plasma panel on the servicing stand taking hold of the Hanger metals.
5. Attach the cabinet assy and each P.C.Board and so on, to the new plasma panel.

***When fitting the cabinet assy, be careful not to allow any debris, dust or handling residue to remain between the front glass and plasma panel.**

8 Measurements and Adjustments

8.1. Adjustment Procedure

8.1.1. Driver Set-up

8.1.1.1. Item / Preparation

1. Input a white signal to plasma video input.
2. Set the picture controls as follows.
 Picture menu: Dynamic
 PNR: Min
 Aspect: 16:9

Caution

1. First perform Vsus adjustment.
2. The Vscn voltages are measured from the Vad (Vad_base), but may be measured from the GND (GND_base) in an unavoidable case.

8.1.1.2. Adjustments

Adjust driver section voltages referring the panel data on the panel data label.
 Check or adjust the following voltages with the multimeter.

Name	Test Point	Voltage	Volume	Remarks
Vsus	TPVSUS (SS)	Vsus \pm 2V	VR251(P)	*
Ve	TPVE (SS)	Ve \pm 2.5V	Fixed	*
Vset	TPVSET (SC)	290V \pm 9V	Fixed	
Vad	TPVAD (SC)	- 185V \pm 2V	VR16600 (SC)	
Vscn	TPVSCN (SC)	Vad_base : 145V \pm 4V GND_base : - 40V \pm 6V	Fixed	
Vda	TP9 (P)	60V + 1V, - 2V	Fixed	

*See the Panel label.

Panel Label information

Panasonic

MC 2009

Serial No.

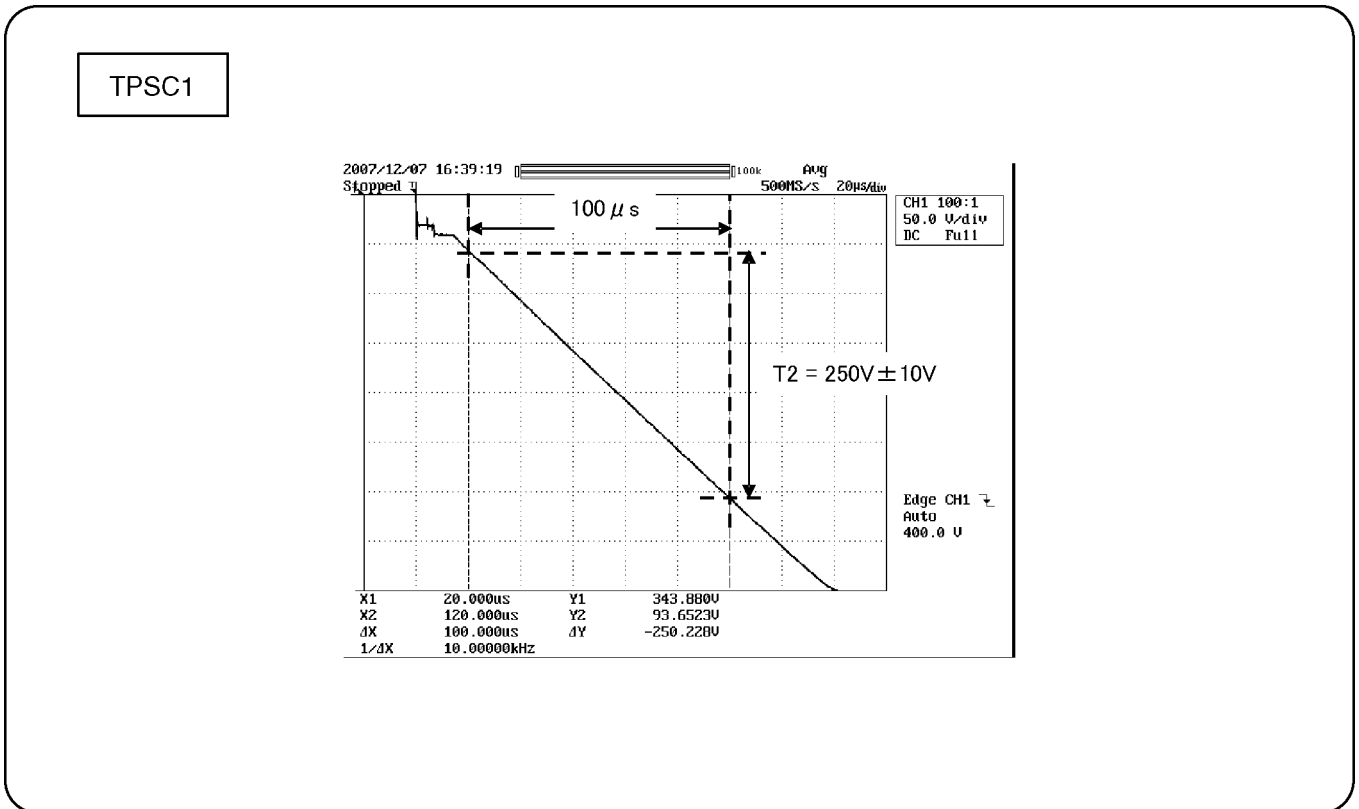
Ve : V , Vsus : V ← Adjustment voltage

MADE IN JAPAN TQF

8.1.2. Initialization Pulse Adjust

1. Input the White signal to plasma video input.
2. Set the picture controls as follows.
Picture menu : Dynamic
PNR : Min
Aspect : 16:9
3. Connect Oscilloscope to TPSC1 (SC).
Check the voltage (T2) at 100µs period on the down slop.

	Test point	Volume	Level
T2	TPSC1 (SC)	VR16601 (SC)	250 V ± 10 V



8.1.3. P.C.B. (Printed Circuit Board) exchange

8.1.3.1. Caution

1. To remove P.C.B., wait 1 minute after power was off for discharge from electrolysis capacitors.

8.1.3.2. Quick adjustment after P.C.B. exchange

Adjust the following voltages with the multimeter.

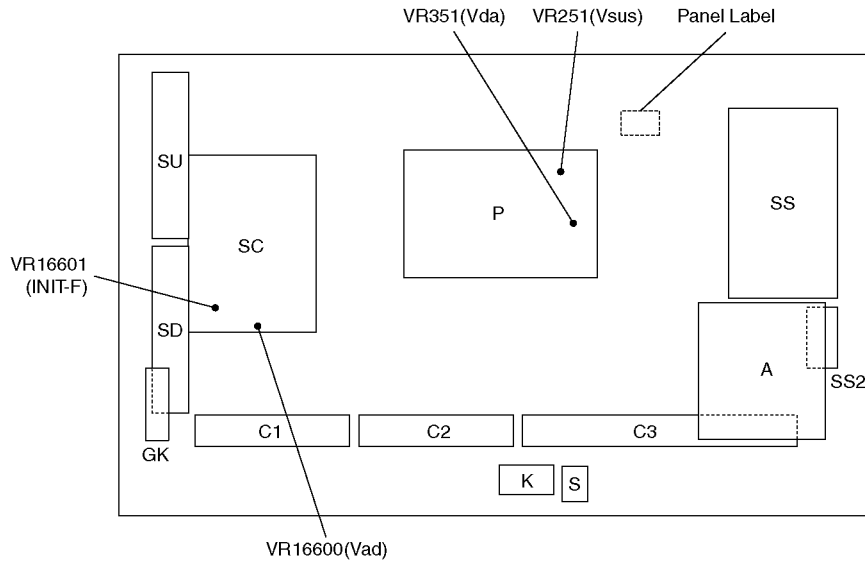
P.C.B.	Name	Test Point	Voltage	Volume	Remarks
P Board	Vsus	TPVSUS (SS)	Vsus ± 2V	VR251 (P)	*
SC Board	Vad	TPVAD (SC)	- 185V ± 2V	VR16600 (SC)	
A Board	White balance and Sub brightness for NTSC, PAL, HD, PC and 625i signals				

*See the Panel label.

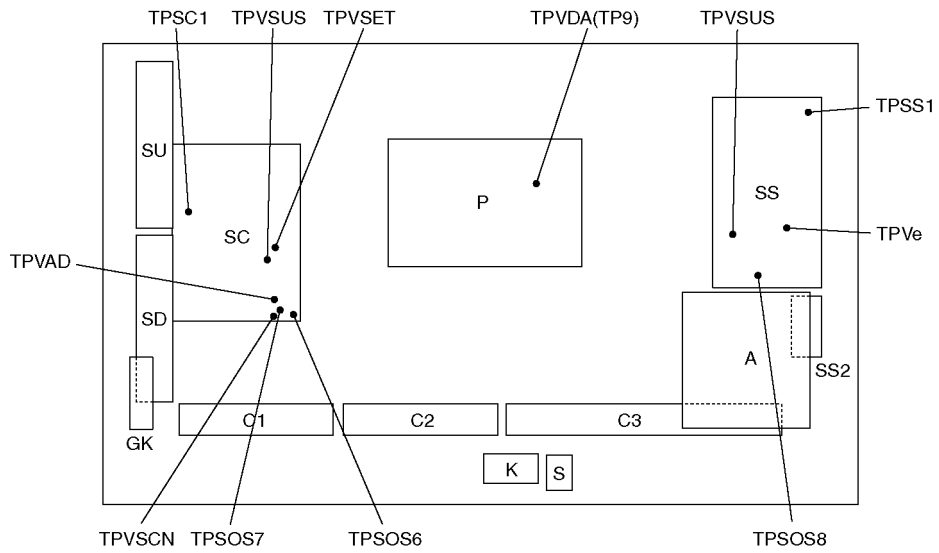
Caution:

Absolutely do not reduce V_{sus} below V_e not to damage the P.C.B.

8.1.4. Adjustment Volume Location



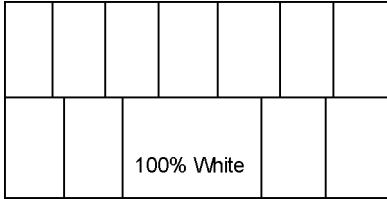
8.1.5. Test Point Location

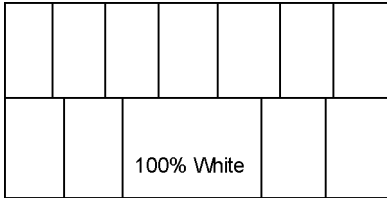


8.2. Adjustment

8.2.1. Sub-Contrast adjustment

Name of measuring instrument	Connection	Remarks
RF generator Base Band signal generator HD signal generator		
Steps		Remarks
<p>Adjustment of TV (RF system)</p> <p>Note: In adjustment, you must setting to modulation of signal at 85%.</p> <p>1. Receive a RF PAL 100% Full White or Split Colour bar shown as below .</p> <div data-bbox="400 589 788 786" style="text-align: center;"> </div> <p>2. Goes into service adjustment mode. 3. Push a [1] or [2] key, and goes into adjustment mode for [CONTRAST].</p> <p>Adjustment</p> <p>1. The colour key yellow button of remote control is pushed. 2. The OSD character of sub-contrast becomes red. (Inside under automatic adjustment) 3. The OSD character of sub-contrast returns to black. 4. End.</p>		<p>Ref.: RF signal modulation spec. UK models: 80% Other models: 90%</p> <p>Note: Sub-contrast adjustment is unadjusted for AV/ HD input. But, when needing the adjustment chosen manually, please refer to [alternative method].</p>

Steps	Remarks
<p>Another procedure</p> <p>Adjustment of AV system</p> <p>1. PAL 100% Full White or Split Colour bar receive AV1(or AV2), shown as below.</p>  <p>2. Goes into service adjustment mode. 3. Push [1] or [2] key, and goes into adjustment mode for [Contrast].</p> <p>Adjustment</p> <p>1. The colour key yellow button of remote control is pushed. 2. The OSD character of sub-contrast becomes red. (Inside under automatic adjustment) 3. The OSD character of sub-contrast returns to black. 4. End.</p>	

Steps	Remarks
<p>Another procedure</p> <p>Adjustment of HD system</p> <p>1. At 1080i 100% Full White or Split colour bar receive component signal, as shown below.</p>  <p>2. Goes into service adjustment mode. 3. Push [1] or [2] key, and goes into adjustment mode for [Contrast].</p> <p>Adjustment</p> <p>1. The colour key yellow button of remote control is pushed. 2. The OSD character of sub-contrast becomes red. (Inside under automatic adjustment) 3. The OSD character of sub-contrast returns to black. 4. End.</p>	

8.2.2. RF white balance adjustment

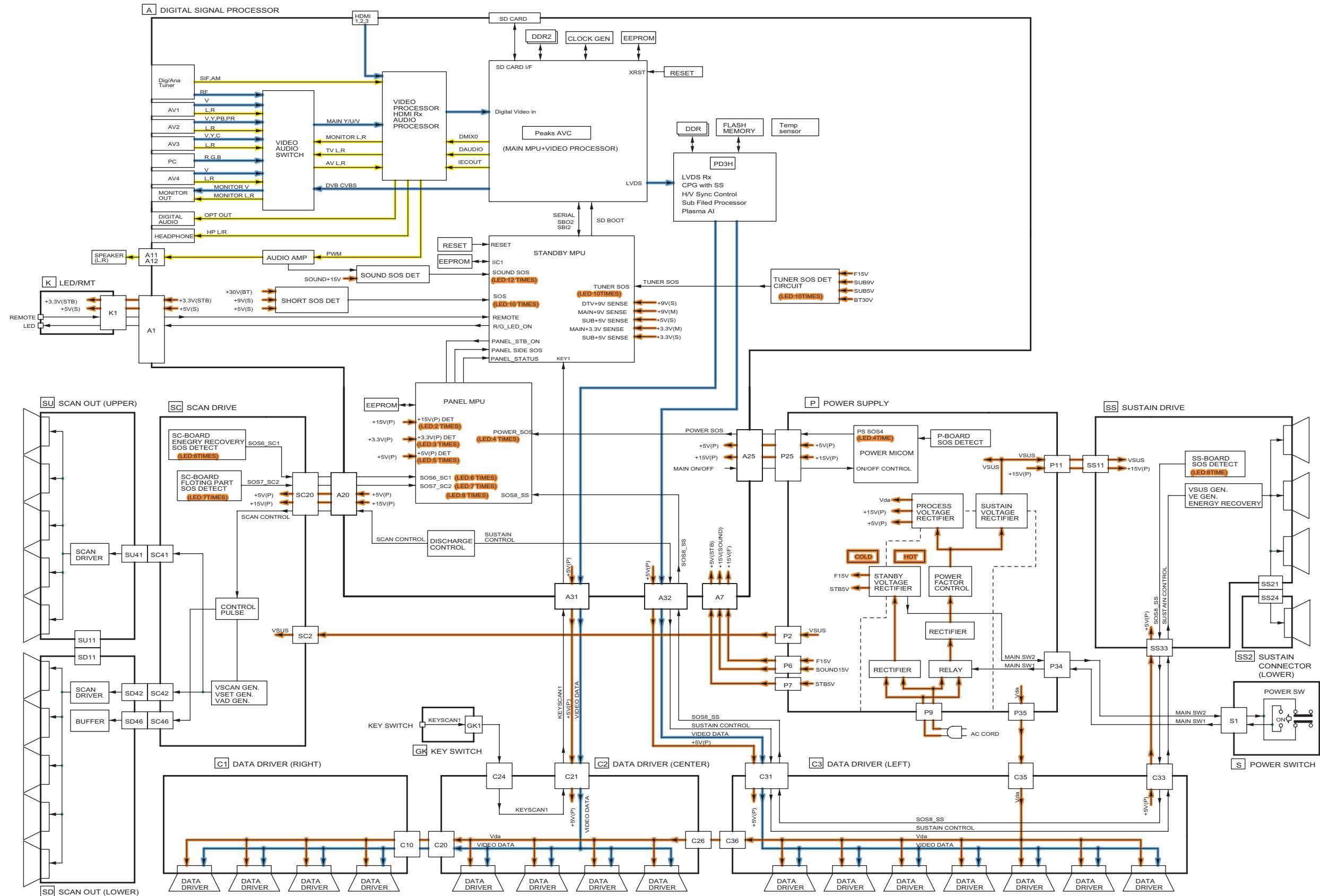
Name of measuring instrument	Connection	Remarks												
W/ B pattern Color analyzer (Minolta CA-100 or equivalent)	RF input Panel surface													
Steps		Remarks												
<ul style="list-style-type: none"> • Make sure the front panel to be used on the final set is fitted. • Make sure a color signal is not being shown before adjustment. • Put the color analyzer where there is little colour variation. 		Picture menu : Dynamic ASPECT : 16:9												
Adjustment		Remarks												
<ol style="list-style-type: none"> 1. Display the white balance pattern. 2. Enter the service adjustment mode. 3. A number key [1] or [2] are operated and [WB-ADJ] is displayed. Check that the color balance is [COOL]. 4. Select [G-CUTOFF] item, using the number-key [3] or [4], and set to [80], using the volume-key [+] or [-]. Also, [B-CUTOFF] and [R-CUTOFF] set to [80] 5. Set [G-DRIVE] at [E0](37 inch / 42 inch), [D0](50 inch). 6. Touch the signal receiver of color analyzer to the highlight window's center, and adjust B drive and R drive so x, y become the [COLOR TEMP COOL] in the below table. 7. All RGB drive increase so that the maximum drive value of RGB may become [FC]. ([ALL-DRIVE] set to [FC].) 8. Set colorbalance to [NORMAL] using [7] key. 9. Fix G-CUTOFF , B-CUTOFF and R-CUTOFF at [80]. 10. Fix G drive at [E0] (37 inch / 42inch), [D0] (50 inch). 11. Adjust B-DRIVE and R-DRIVE so the highlight window's x, y become the [COLOR TEMP NORMAL] in the below table. 12. All RGB drive increase so that the maximum drive value of RGB may become [FC]. ([ALL-DRIVE] set to [FC].) 13. Set colorbalance to [WARM] using [7] key. 14. Fix G-CUTOFF , B-CUTOFF and R-CUTOFF at [80]. 15. Fix G drive at [E0] (37 inch / 42 inch), [D0] (50 inch). 16. Adjust B-DRIVE and R-DRIVE so the highlight window's x, y become the [COLOR TEMP WARM] in the below table. 17. All RGB drive increase so that the maximum drive value of RGB may become [FC]. ([ALL-DRIVE] set to [FC].) 		Highlight section Signal amplitude 75% Value is Hex.												
Table 1, Color temp. target value <table border="1" style="margin: auto;"> <thead> <tr> <th>COLOR TEMP</th> <th>x</th> <th>y</th> </tr> </thead> <tbody> <tr> <td>COOL</td> <td>0.288</td> <td>0.296</td> </tr> <tr> <td>NORMAL</td> <td>0.301</td> <td>0.319</td> </tr> <tr> <td>WARM</td> <td>0.316</td> <td>0.339</td> </tr> </tbody> </table>			COLOR TEMP	x	y	COOL	0.288	0.296	NORMAL	0.301	0.319	WARM	0.316	0.339
COLOR TEMP	x	y												
COOL	0.288	0.296												
NORMAL	0.301	0.319												
WARM	0.316	0.339												

8.2.3. 1080i white balance adjustment

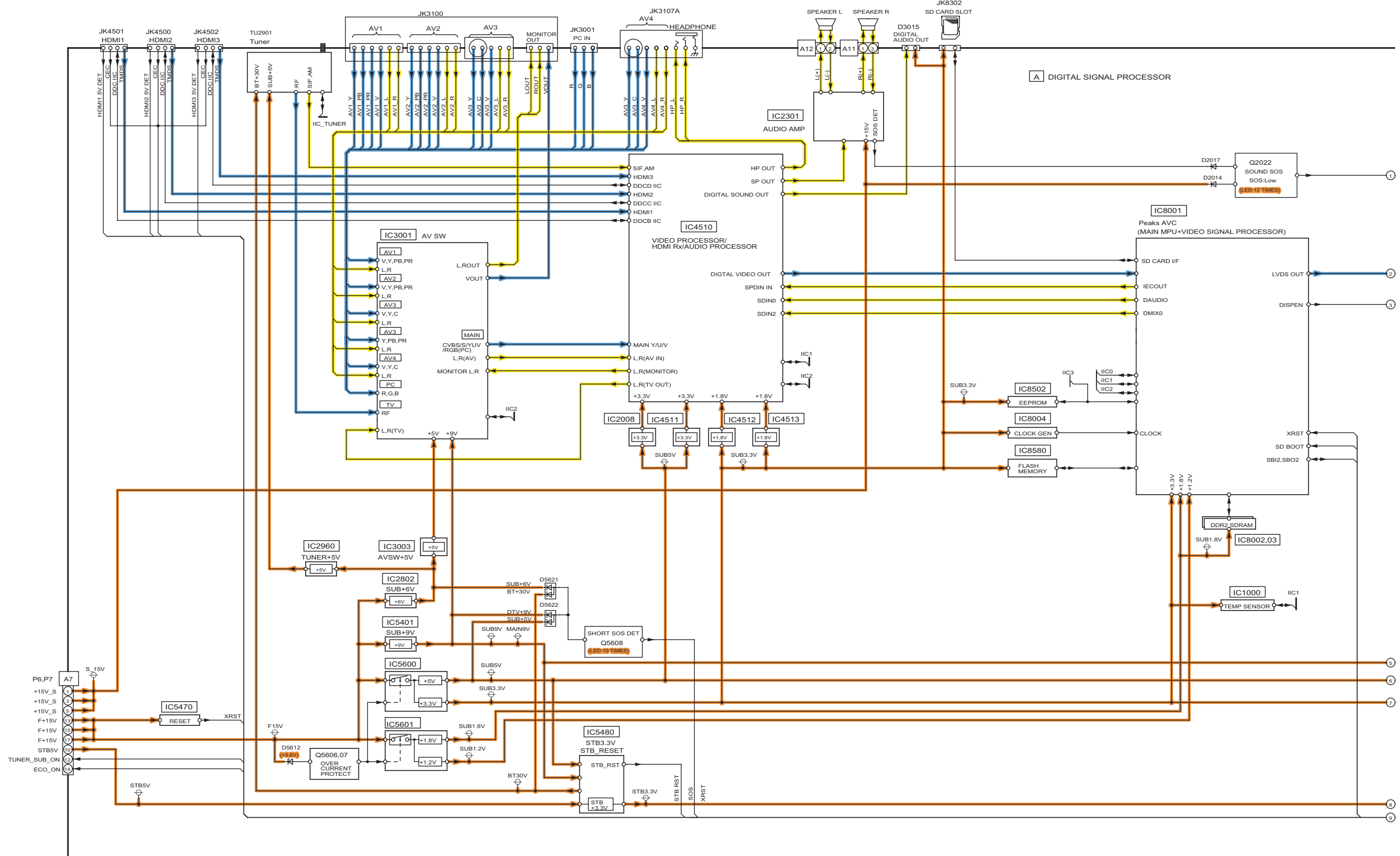
Name of measuring instrument	Connection	Remarks												
1080i W/ B pattern Color analyzer (Minolta CA-100 or equivalent)	Component input Panel surface													
Steps		Remarks												
<ul style="list-style-type: none"> • Make sure the front panel to be used on the final set is fitted. • Make sure a color signal is not being shown before adjustment. • Put the color analyzer where there is little colour variation. 		Picture menu : Dynamic ASPECT : 16:9												
Adjustment		Remarks												
<ol style="list-style-type: none"> 1. Display the white balance pattern. 2. Enter the service adjustment mode. 3. A number key [1] or [2] are operated and [WB-ADJ] is displayed. Check that the color balance is [COOL]. 4. Select [G-CUTOFF] item, using the number-key [3] or [4], and set to [80], using the volume-key [+] or [-]. Also, [B-CUTOFF] and [R-CUTOFF] set to [80] 5. Set [G-DRIVE] at [E0](37 inch / 42 inch), [D0](50 inch). 6. Touch the signal receiver of color analyzer to the highlight window's center, and adjust B drive and R drive so x, y become the [COLOR TEMP COOL] in the below table. 7. All RGB drive increase so that the maximum drive value of RGB may become [FC]. ([ALL-DRIVE] set to [FC].) 8. Set colorbalance to [NORMAL] using [7] key. 9. Fix G-CUTOFF , B-CUTOFF and R-CUTOFF at [80]. 10. Fix G drive at [E0] (37 inch / 42inch), [D0] (50 inch). 11. Adjust B-DRIVE and R-DRIVE so the highlight window's x, y become the [COLOR TEMP NORMAL] in the below table. 12. All RGB drive increase so that the maximum drive value of RGB may become [FC]. ([ALL-DRIVE] set to [FC].) 13. Set colorbalance to [WARM] using [7] key. 14. Fix G-CUTOFF , B-CUTOFF and R-CUTOFF at [80]. 15. Fix G drive at [E0] (37 inch / 42 inch), [D0] (50 inch). 16. Adjust B-DRIVE and R-DRIVE so the highlight window's x, y become the [COLOR TEMP WARM] in the below table. 17. All RGB drive increase so that the maximum drive value of RGB may become [FC]. ([ALL-DRIVE] set to [FC].) 		Highlight section Signal amplitude 75% Value is Hex.												
<p>Table 1, Color temp. target value</p> <table border="1" style="margin-left: auto; margin-right: auto;"> <thead> <tr> <th>COLOR TEMP</th> <th>x</th> <th>y</th> </tr> </thead> <tbody> <tr> <td>COOL</td> <td>0.288</td> <td>0.296</td> </tr> <tr> <td>NORMAL</td> <td>0.301</td> <td>0.319</td> </tr> <tr> <td>WARM</td> <td>0.316</td> <td>0.339</td> </tr> </tbody> </table>			COLOR TEMP	x	y	COOL	0.288	0.296	NORMAL	0.301	0.319	WARM	0.316	0.339
COLOR TEMP	x	y												
COOL	0.288	0.296												
NORMAL	0.301	0.319												
WARM	0.316	0.339												

9 Block Diagram

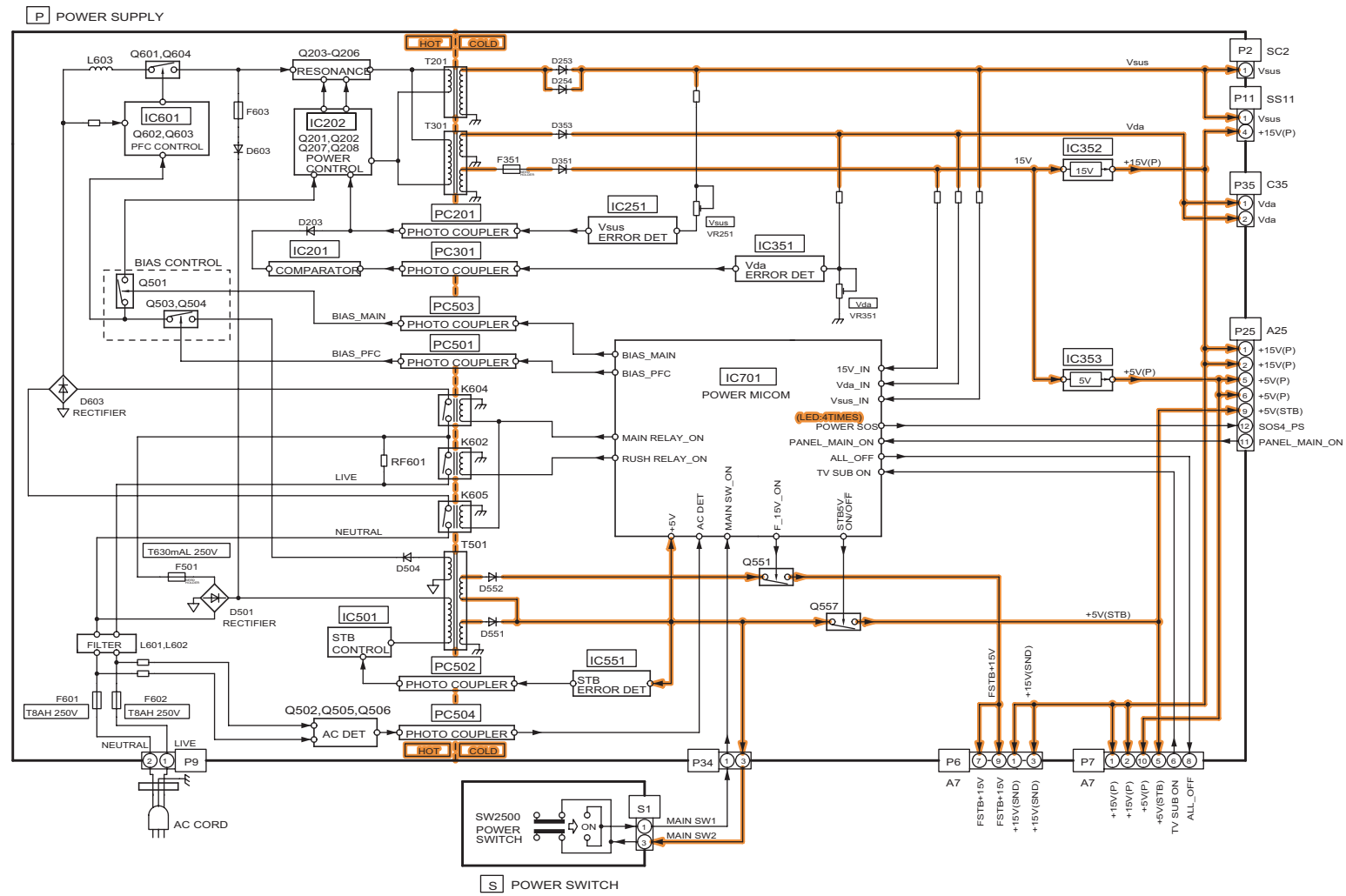
9.1. Main Block Diagram



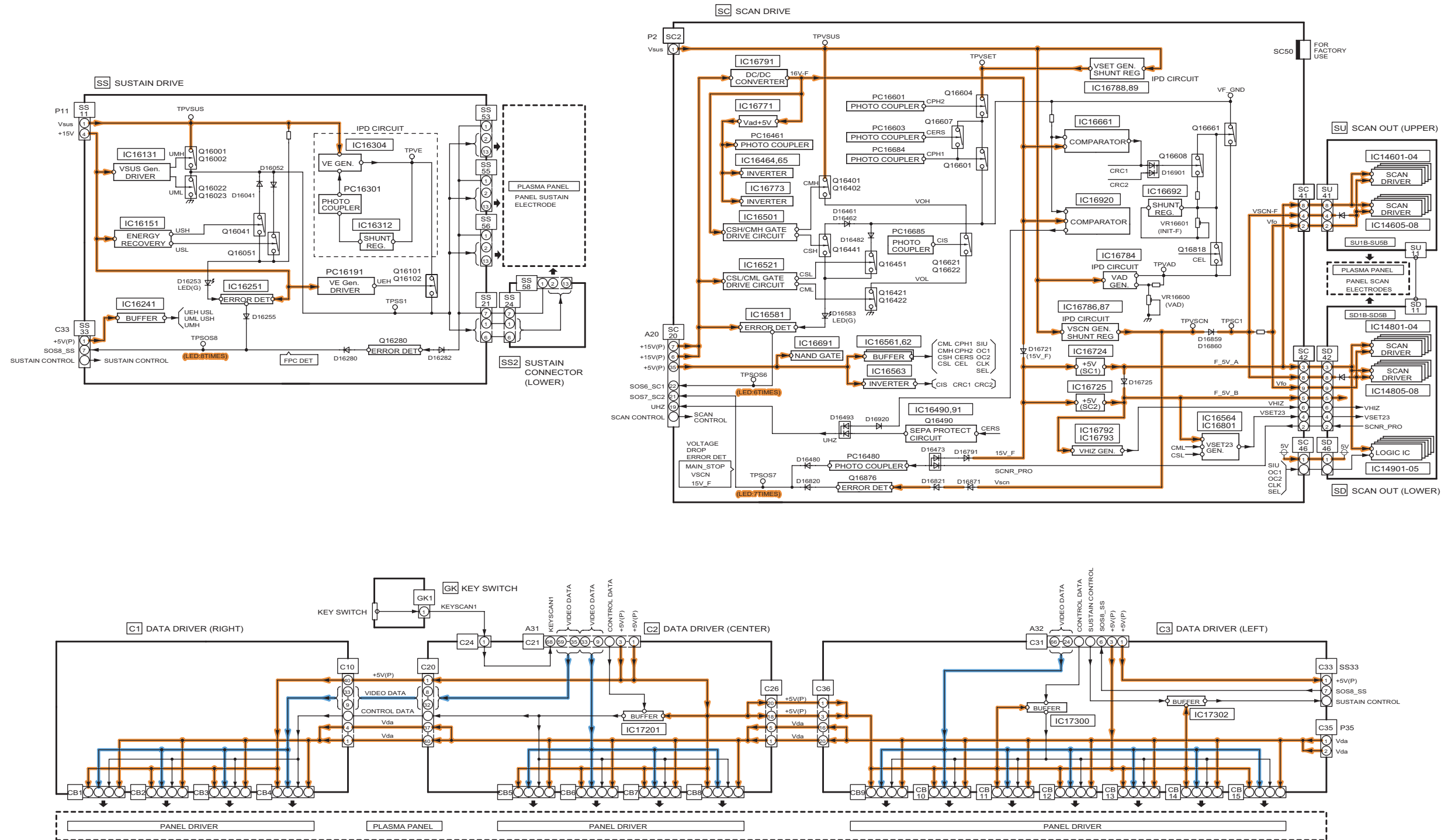
9.2. Block (1/4) Diagram



9.4. Block (3/4) Diagram



9.5. Block (4/4) Diagram



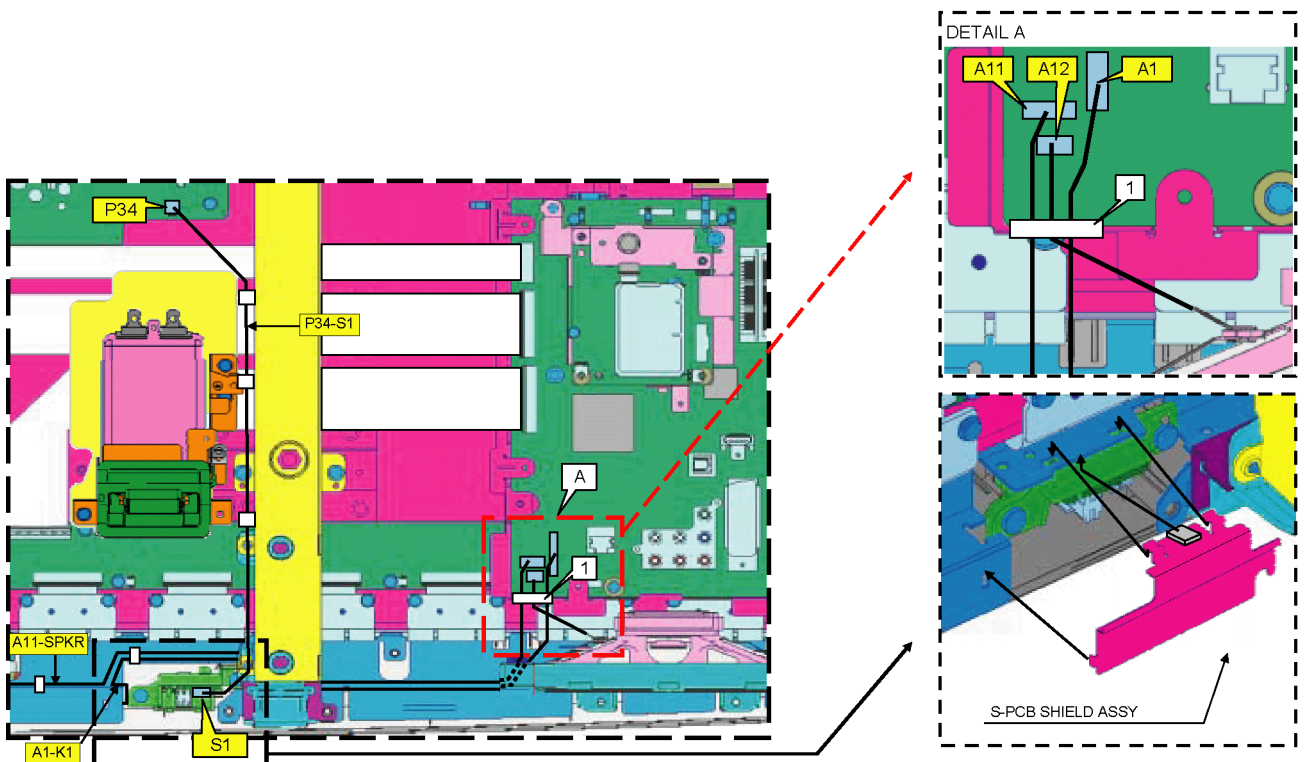
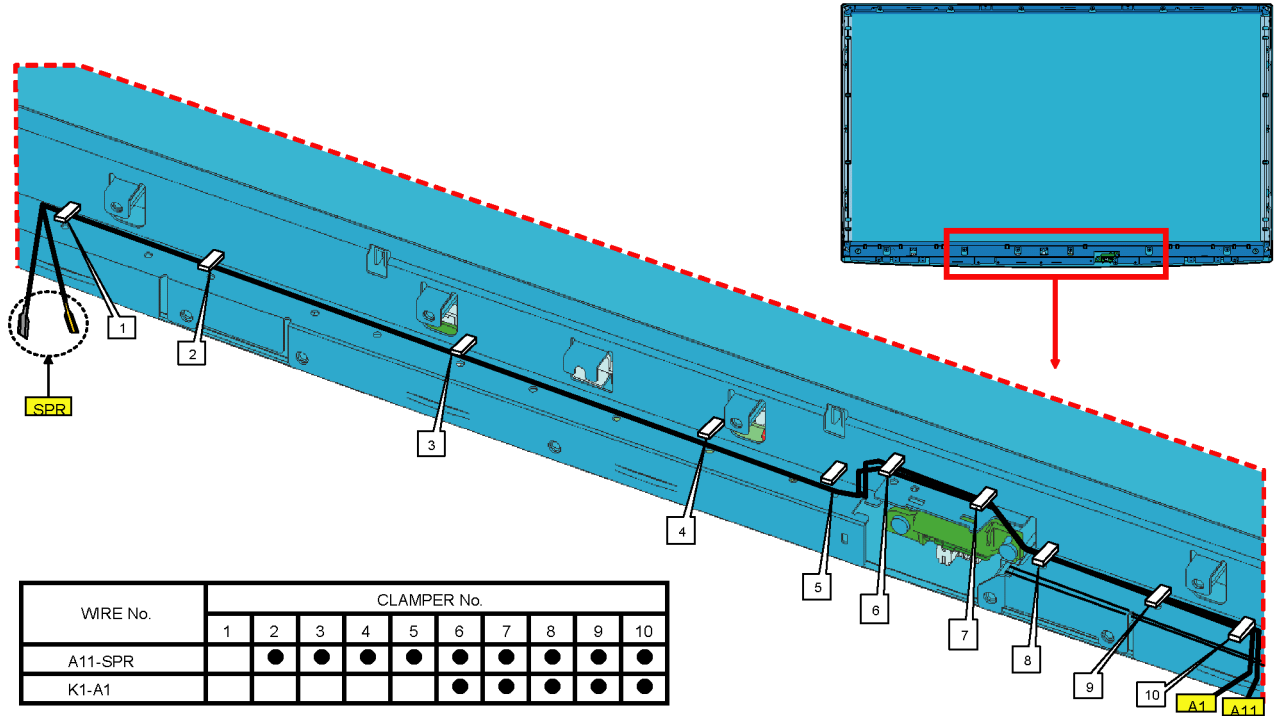
10 Wiring Connection Diagram

10.1. Caution statement.

Caution:

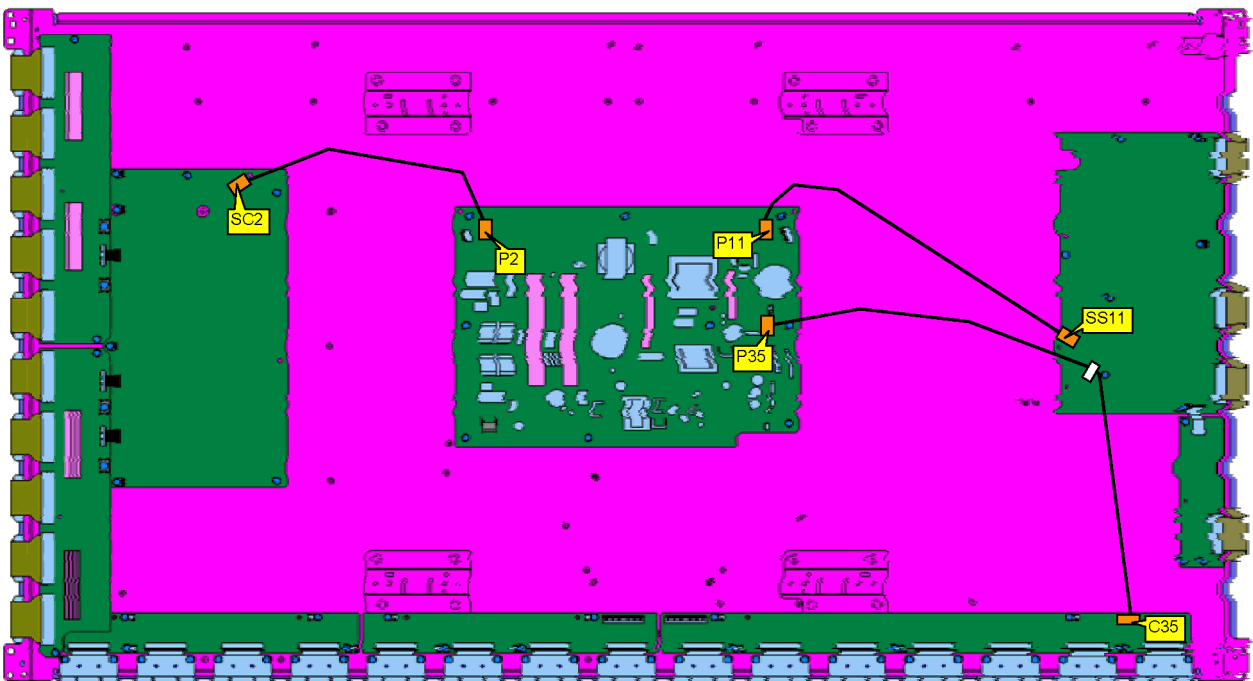
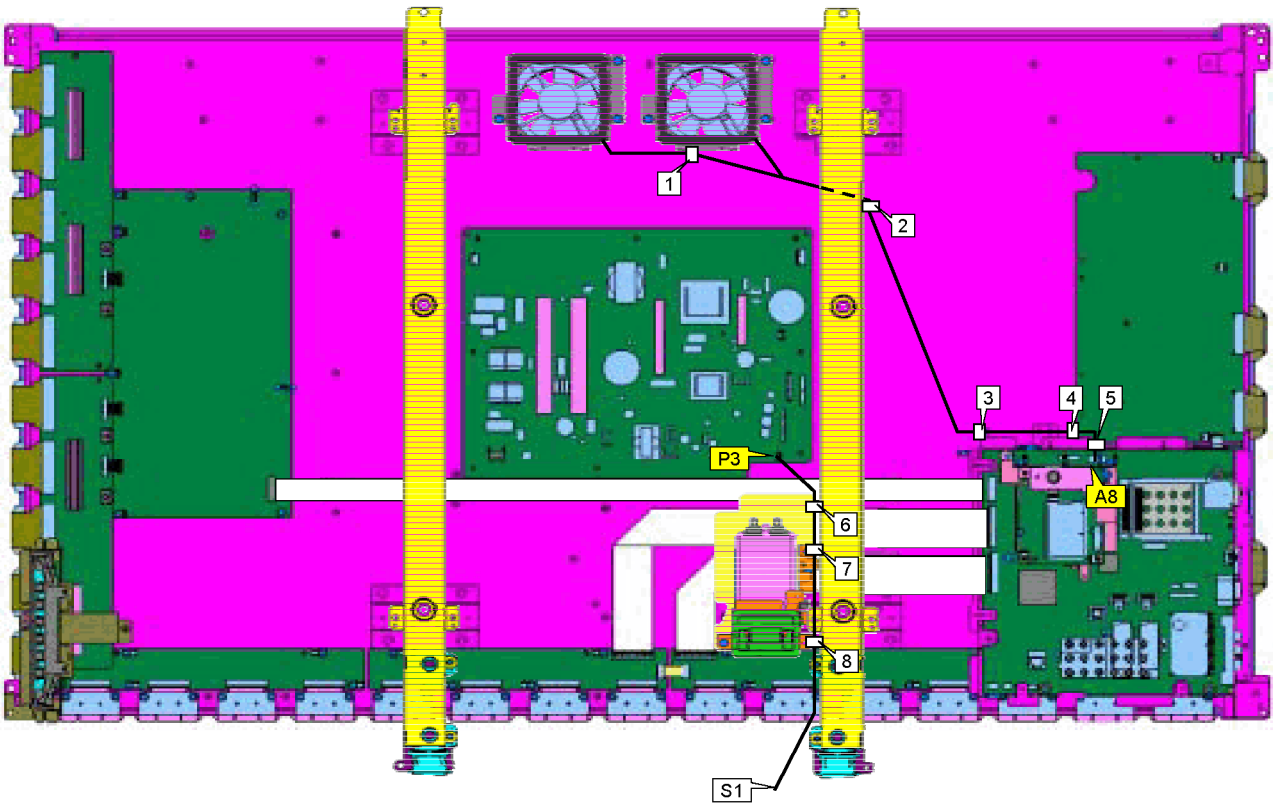
Please confirm that all flexible cables are assembled correctly.
 Also make sure that they are locked in the connectors.
 Verify by giving the flexible cables a very slight pull.

10.2. Wiring (1)



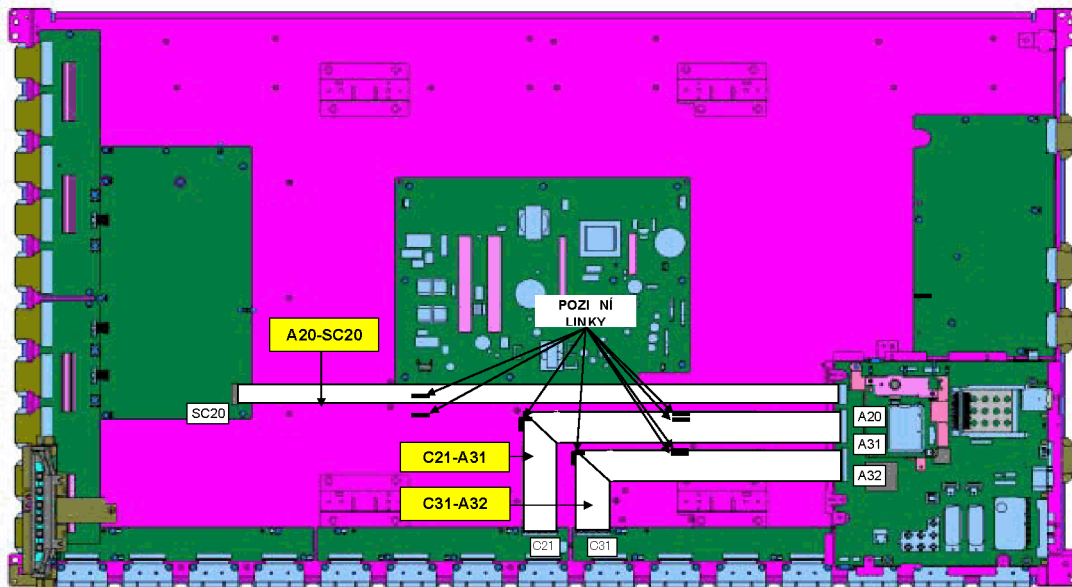
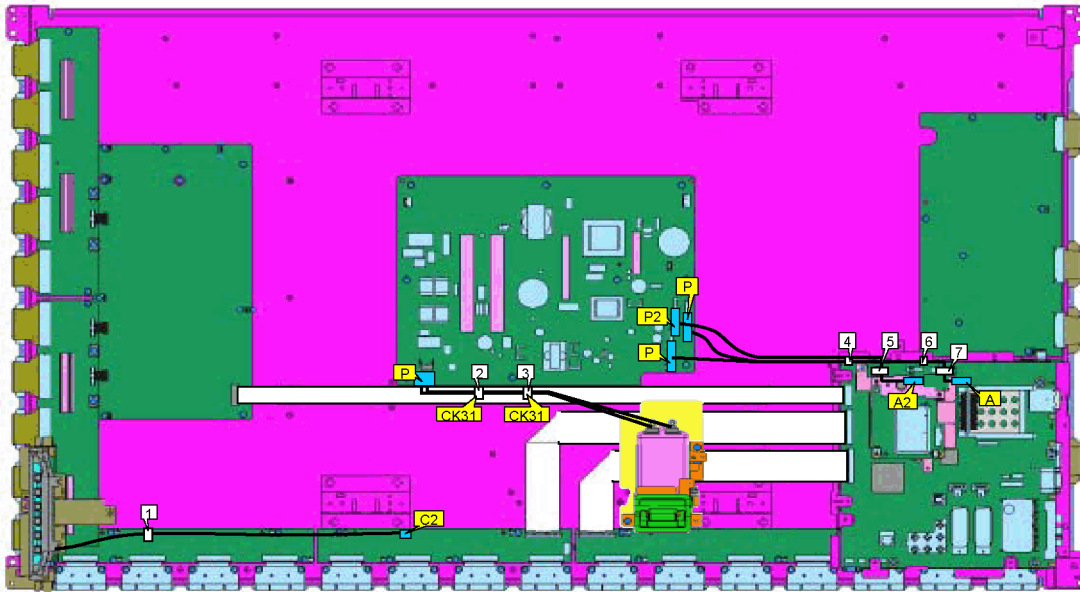
10.3. Wiring (2)

WIRE No.	CLAMPER No.							
	1	2	3	4	5	6	7	8
A8-FAN	0	0	0	0	0			
S1-P34						0	0	0



10.4. Wiring (3)



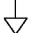
WIRE No.	CLAMPER No.						
	1	2	3	4	5	6	7
GK1-C24	o						
P9-AC INLET		o	o				
P25-A25				o	o		
P6/P7-A7					o	o	o



11 Schematic Diagram

11.1. Schematic Diagram Note

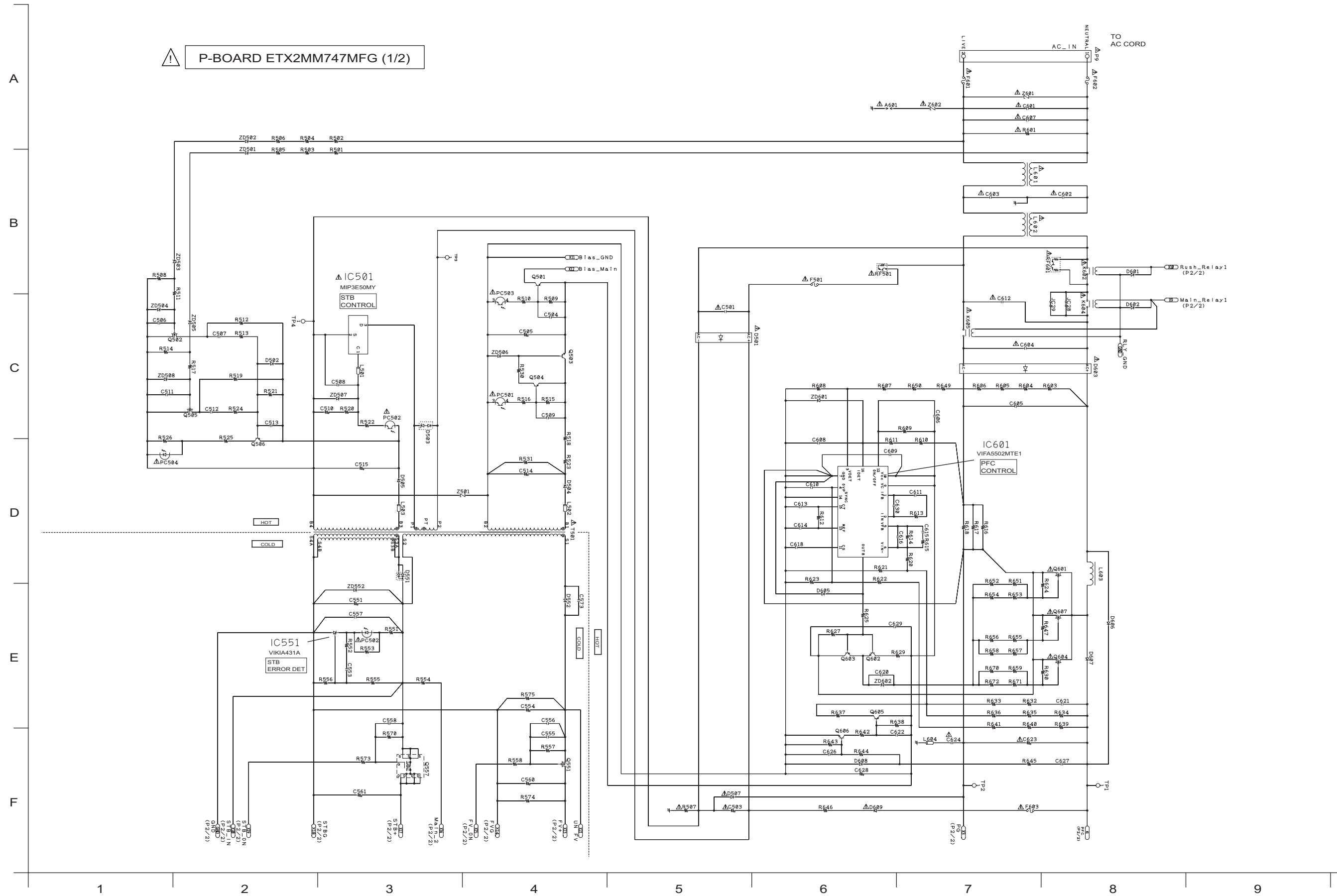
Notes:

- Resistor**
Unit of resistance is OHM [Ω] (K=1,000, M=1,000,000).
- Capacitor**
Unit of capacitance is μ F, unless otherwise noted.
- Coil**
Unit of inductance is H, unless otherwise noted.
- Test Point**
 : Test Point position
- Earth Symbol**
 : Chassis Earth (Cold)  : Line Earth (Hot)
- Voltage Measurement**
Voltage is measured by a DC voltmeter.
Conditions of the measurement are the following:
Power Source AC220-240V, 50/60Hz
Receiving Signal Colour Bar signal (RF)
All customer's controls Maximum positions
- When arrow mark (↗) is found, connection is easily found from the direction of arrow.
- Indicates the major signal flow. : Video ➡ Audio ⇔
- This schematic diagram is the latest at the time of printing and subject to change without notice.

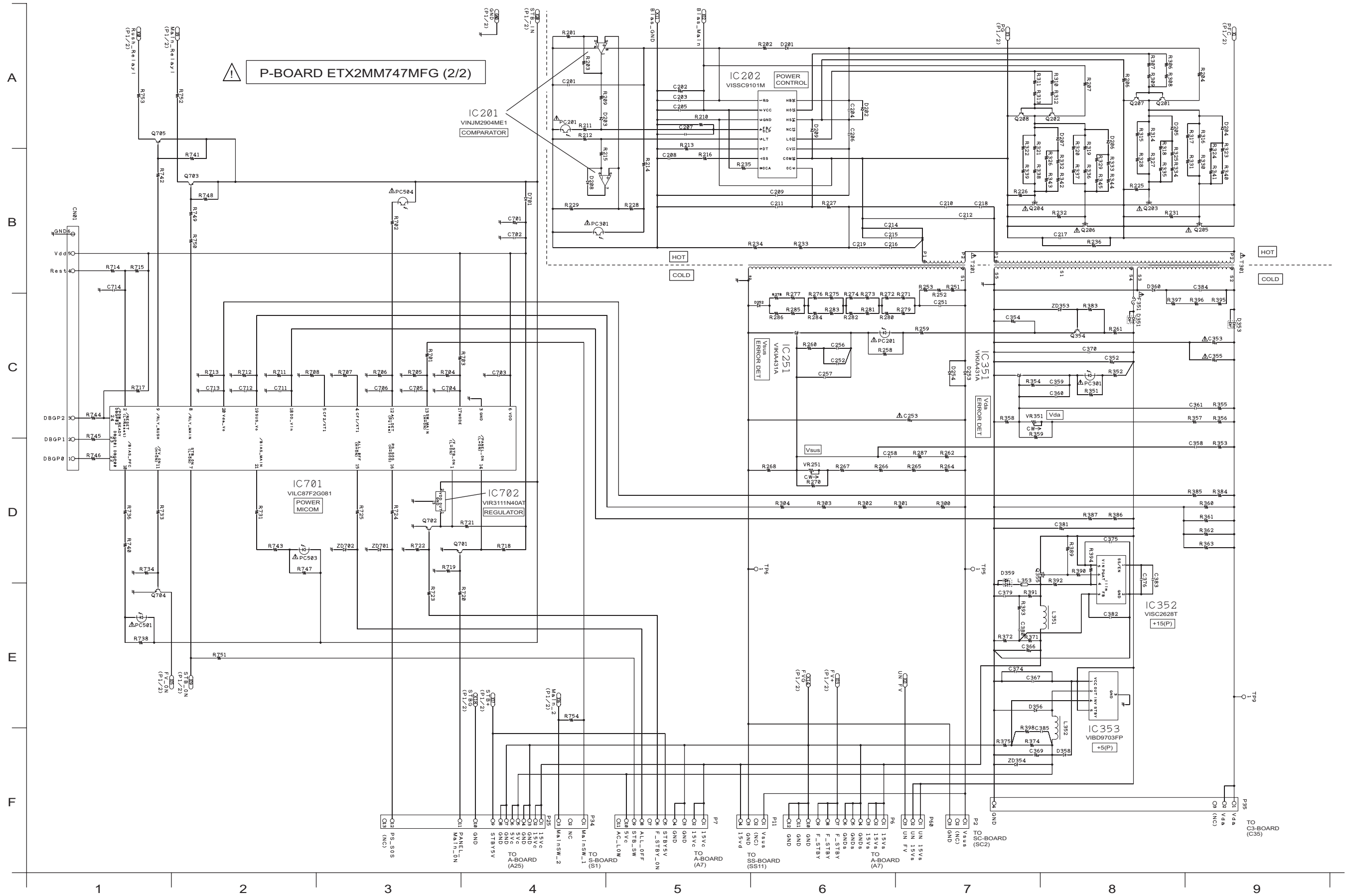
Remarks:

- The Power Circuit contains a circuit area which uses a separate power supply to isolate the earth connection.
The circuit is defined by HOT and COLD indications in the schematic diagram. Take the following precautions.
All circuits, except the Power Circuit, are cold.
Precautions
 - Do not touch the hot part or the hot and cold parts at the same time or you may be shocked.
 - Do not short-circuit the hot and cold circuits or a fuse may blow and parts may break.
 - Do not connect an instrument, such as an oscilloscope, to the hot and cold circuits simultaneously or a fuse may blow.
Connect the earth of instruments to the earth connection of the circuit being measured.
 - Make sure to disconnect the power plug before removing the chassis.

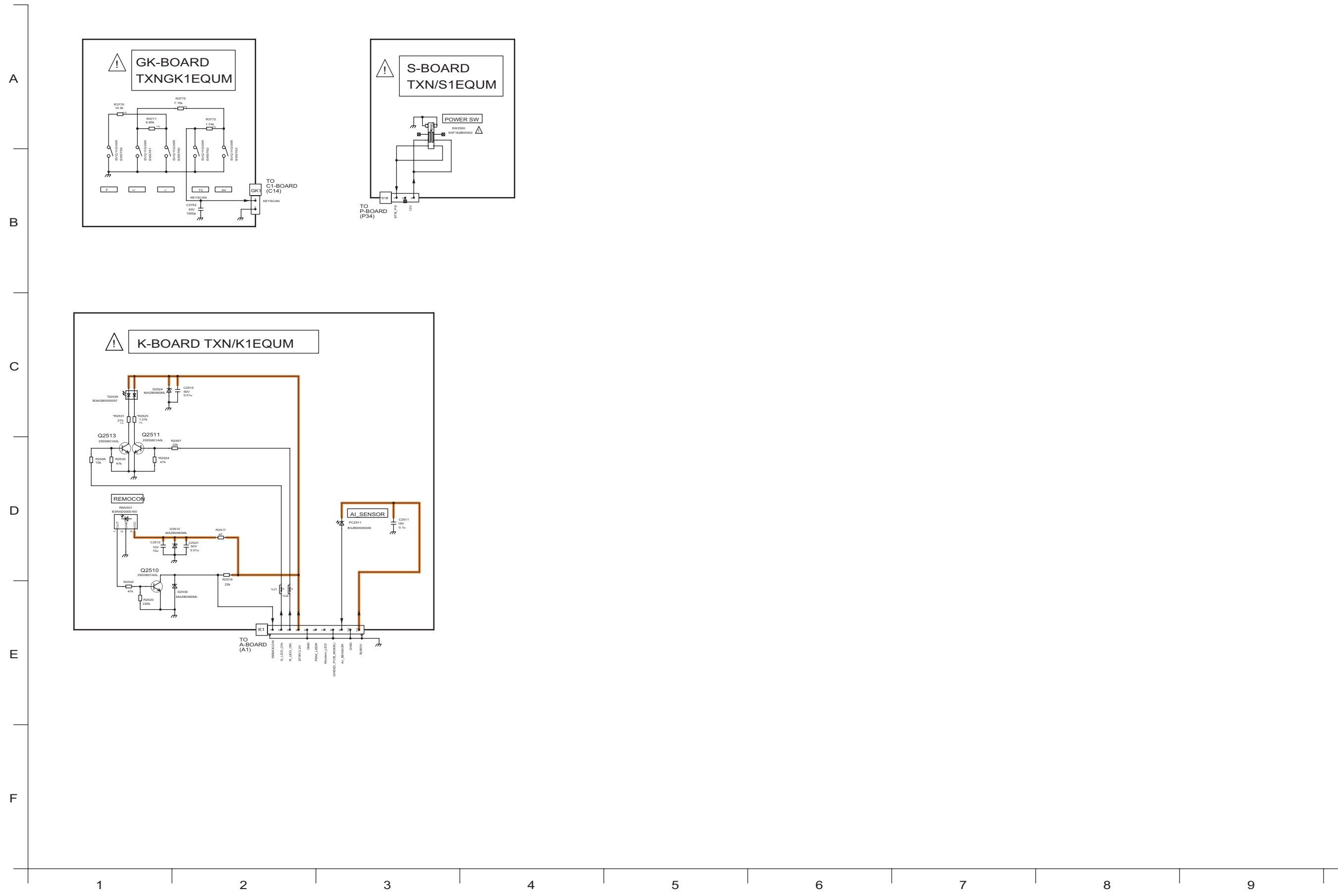
11.2. P-Board (1/2) Schematic Diagram



11.3. P-Board (2/2) Schematic Diagram



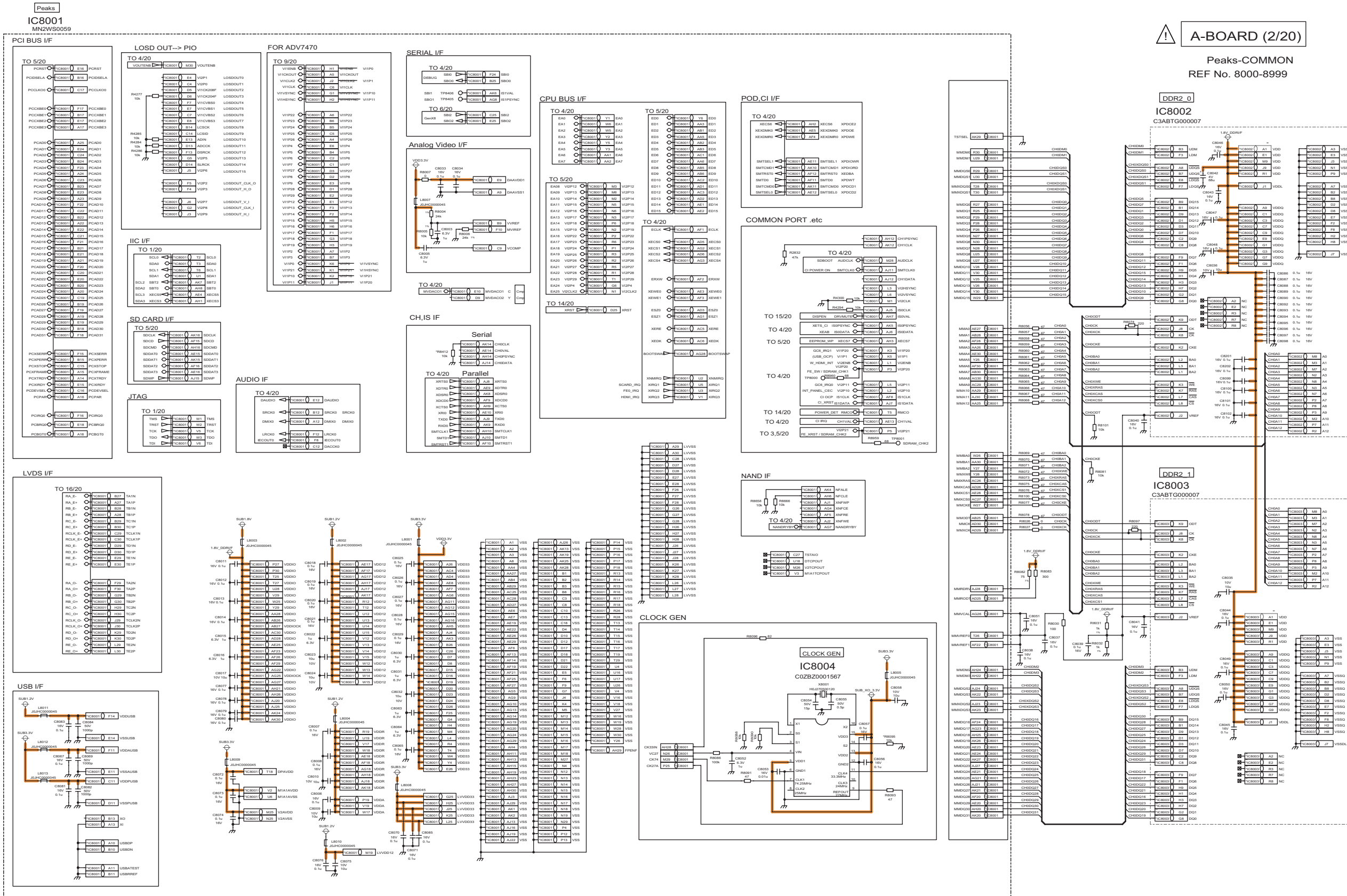
11.4. GK, K and S-Board Schematic Diagram



11.6. A-Board (2/20) Schematic Diagram

A-BOARD (2/20)

Peaks-COMMON
REF No. 8000-8999



10

11

12

13

14

15

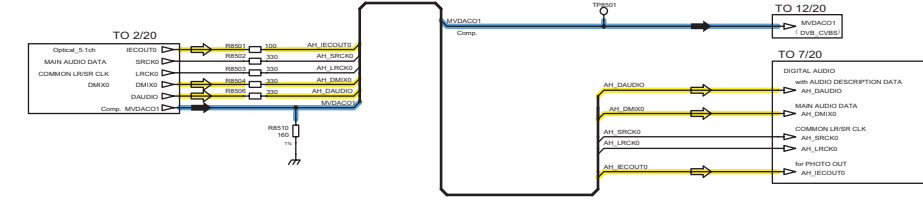
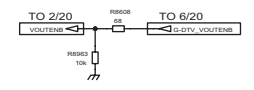
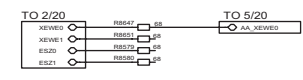
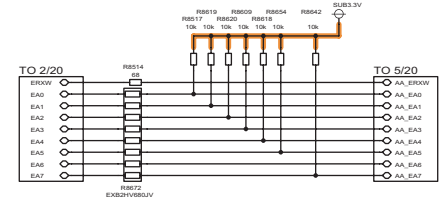
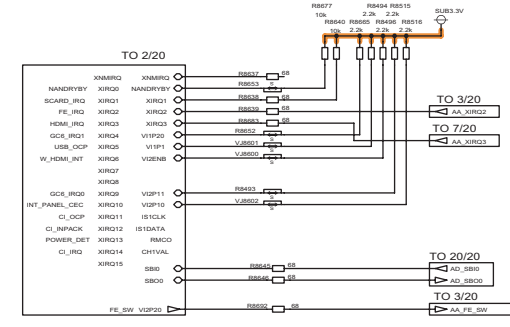
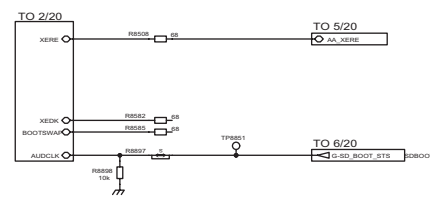
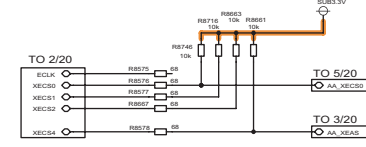
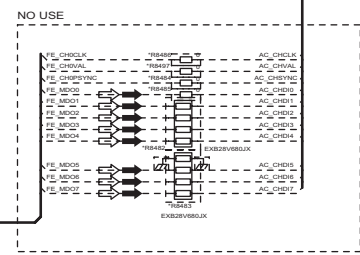
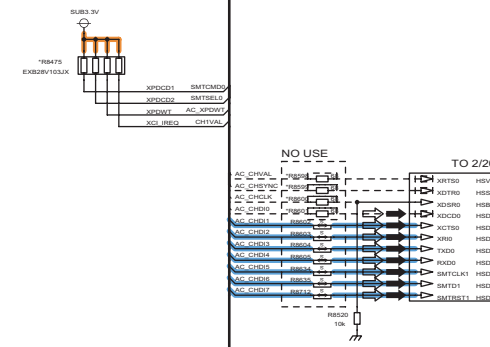
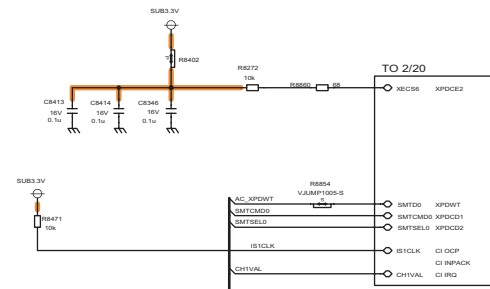
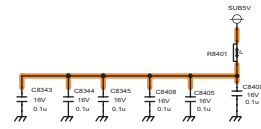
16

17

18

11.8. A-Board (4/20) Schematic Diagram

A-BOARD (4/20)
 Peaks-DEST
 REF No. 8000-8999



28

29

30

31

32

33

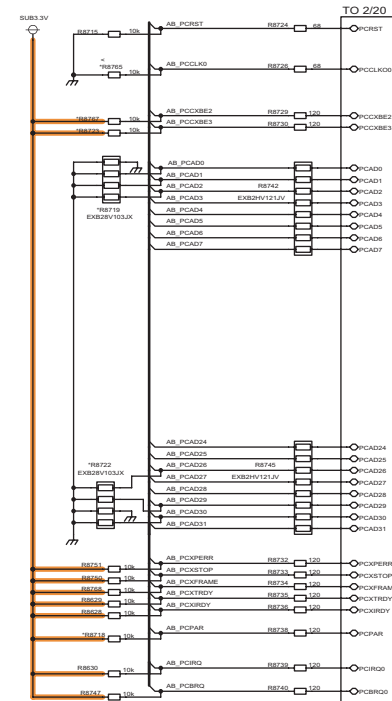
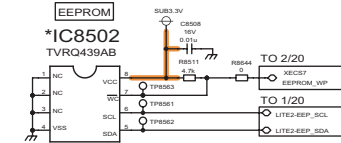
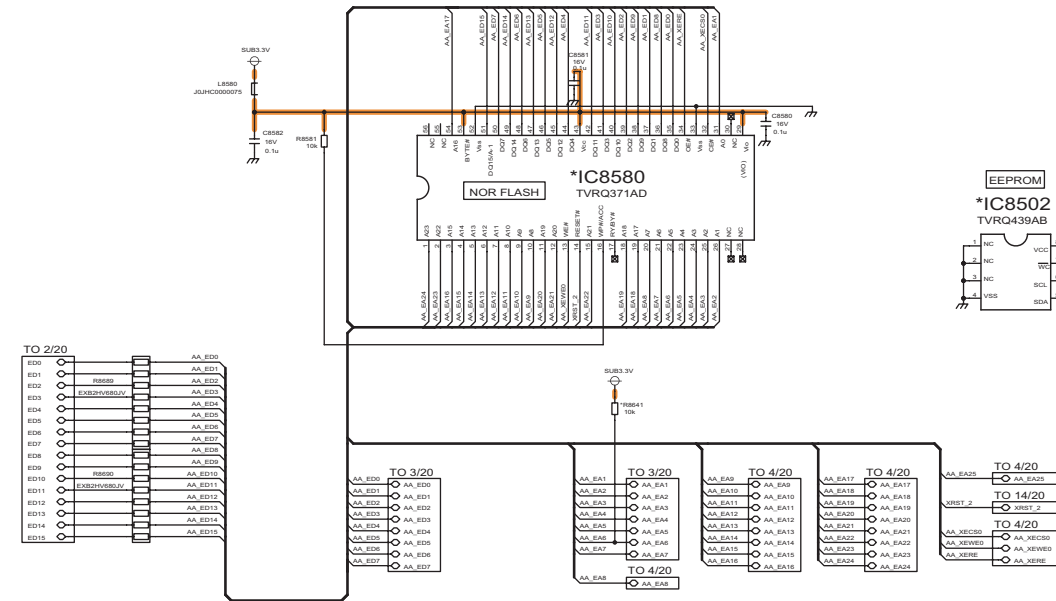
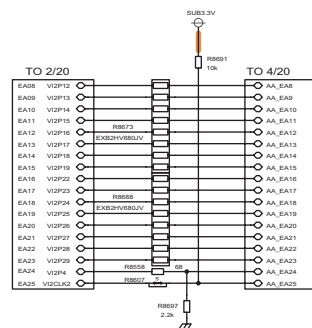
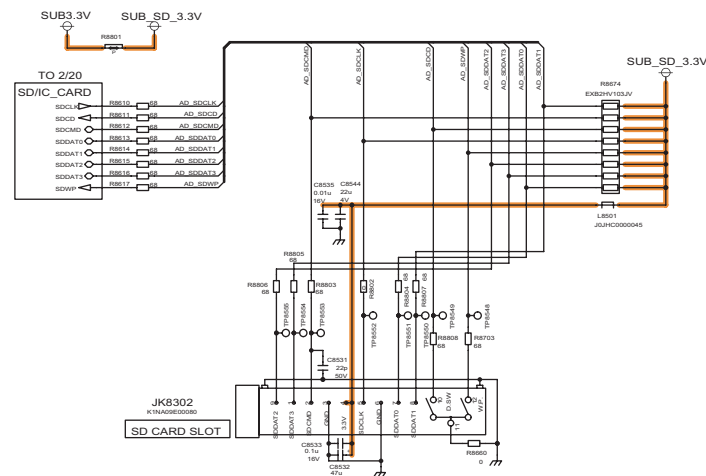
34

35

36

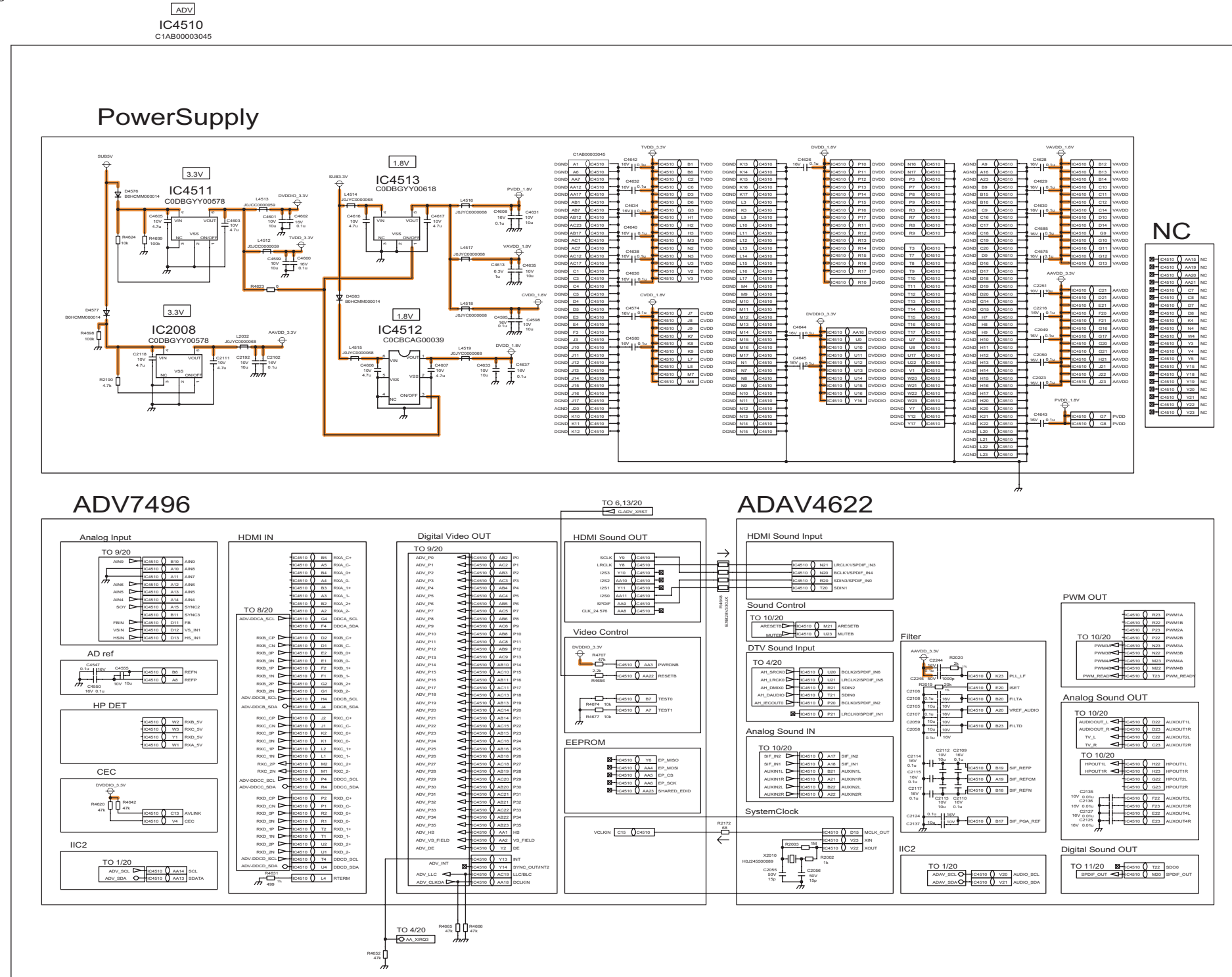
11.9. A-Board (5/20) Schematic Diagram

A-BOARD (5/20)
 Peaks-MODEL
 REF No. 8000-8999



11.11. A-Board (7/20) Schematic Diagram

A-BOARD (7/20)
 ADV
 REF No. 4500-4799



55

56

57

58

59

60

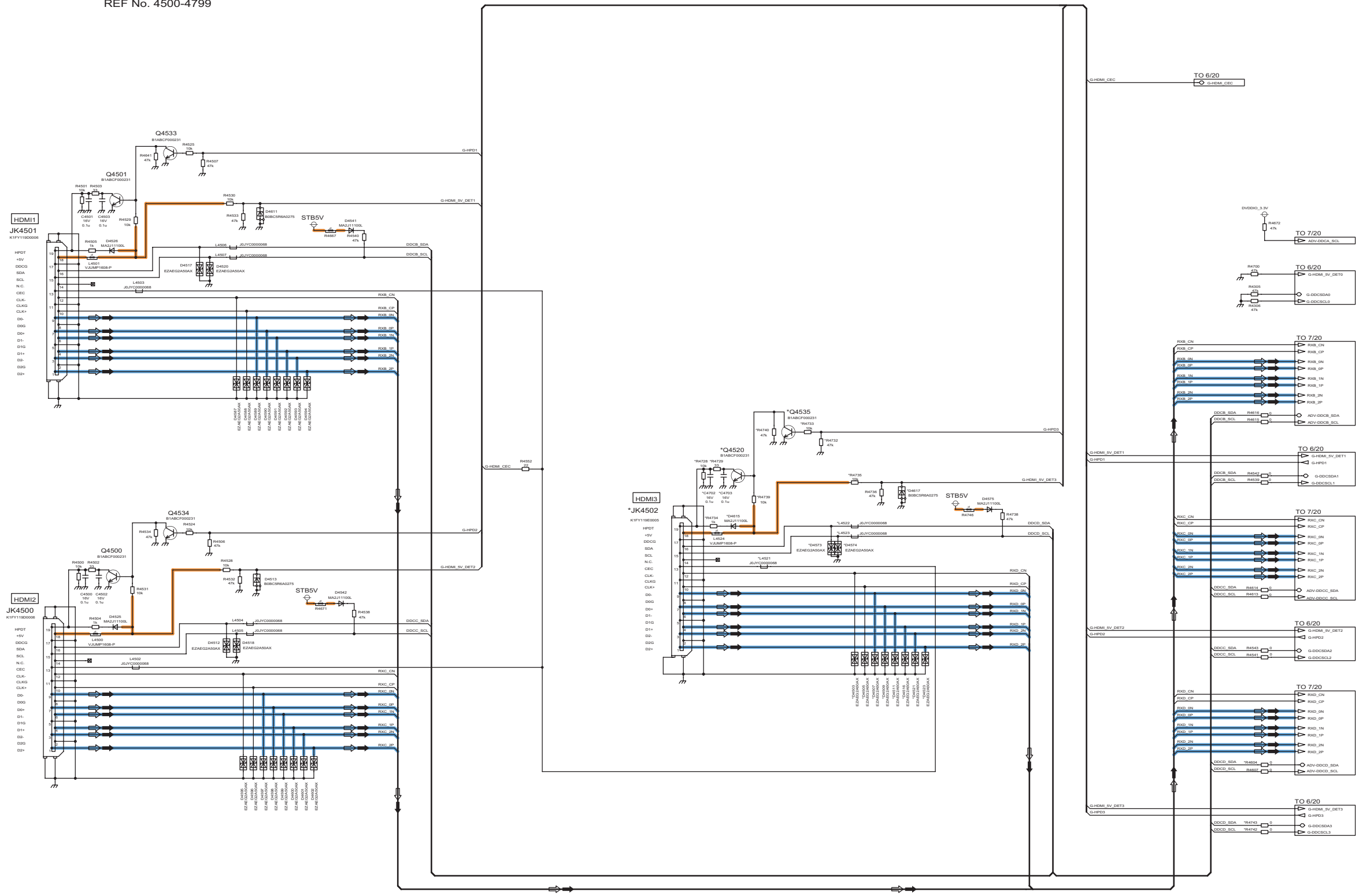
61

62

63

11.12. A-Board (8/20) Schematic Diagram

A-BOARD (8/20)
 ADV_V
 REF No. 4500-4799



64

65

66

67

68


69

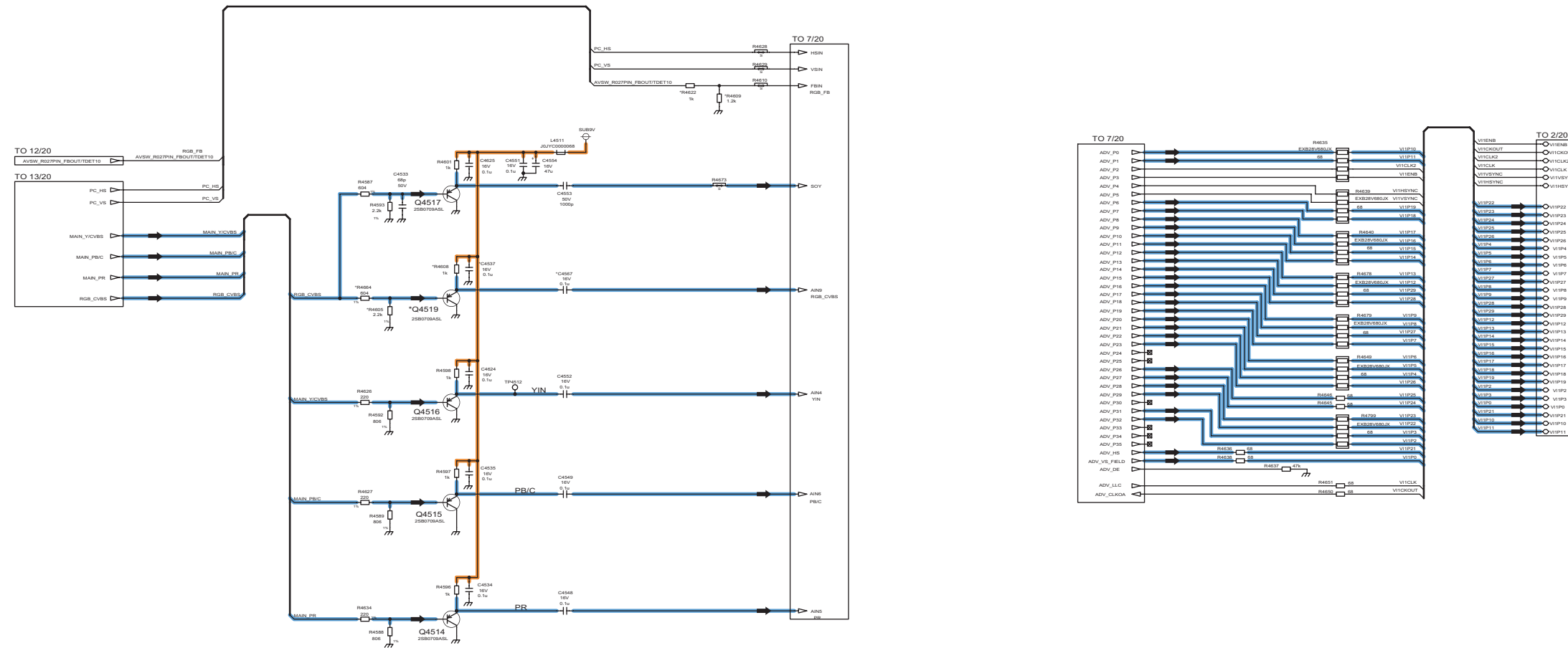
70

71

72

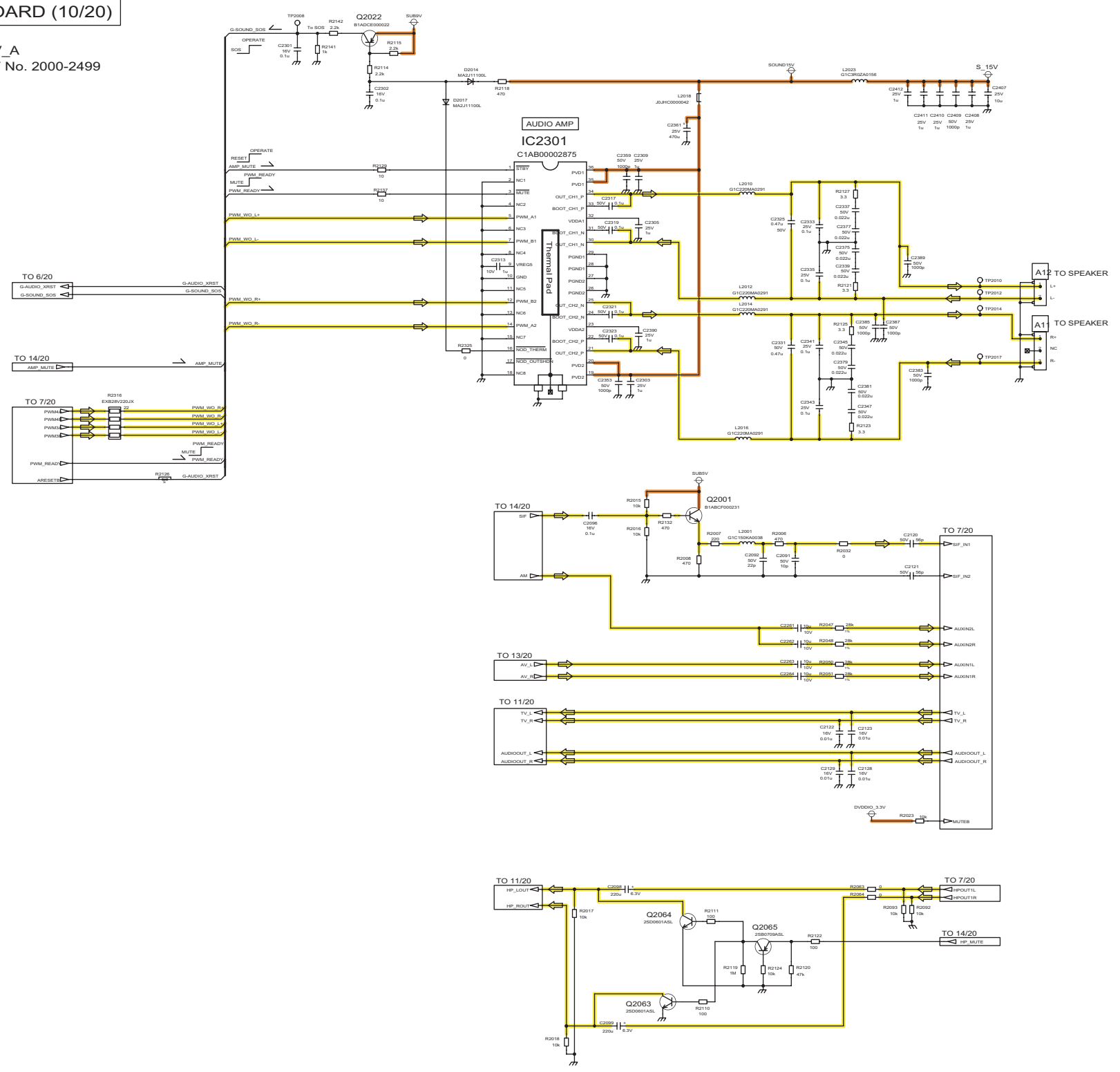
11.13. A-Board (9/20) Schematic Diagram


A-BOARD (9/20)
 ADV_V
 REF No. 4500-4799



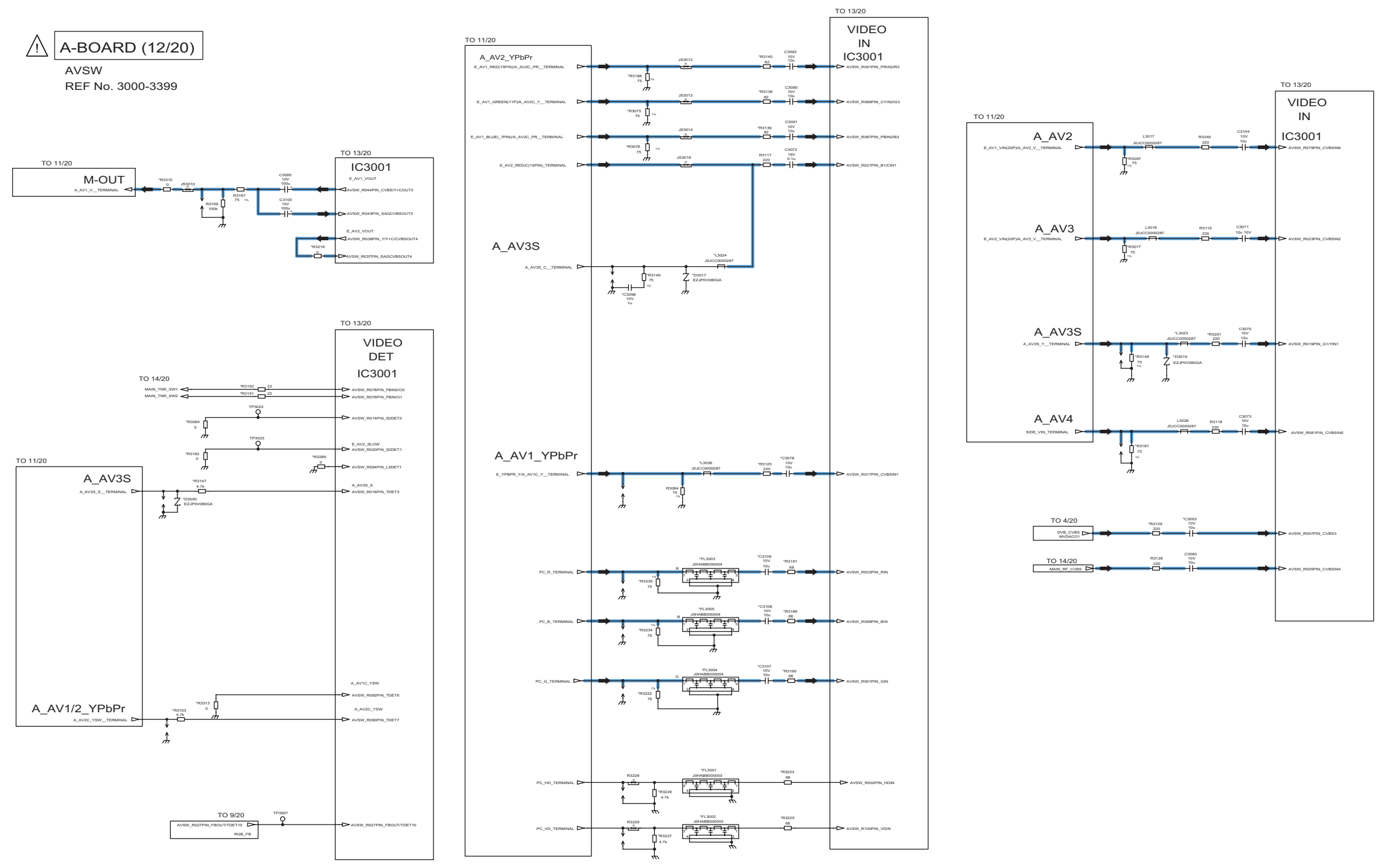
11.14. A-Board (10/20) Schematic Diagram

⚠ A-BOARD (10/20)
 ADV_A
 REF No. 2000-2499




11.16. A-Board (12/20) Schematic Diagram

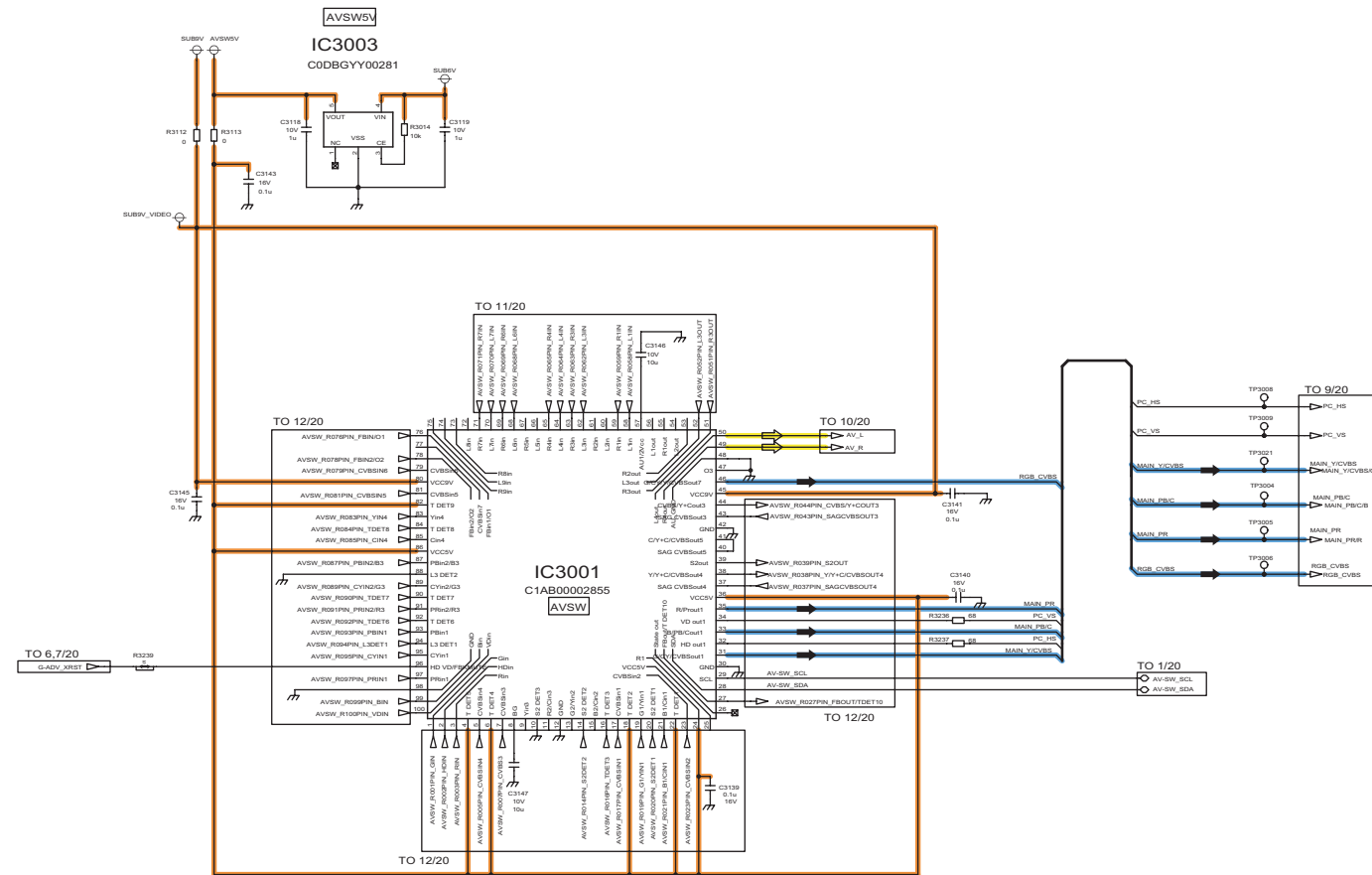
A-BOARD (12/20)
AVSW
REF No. 3000-3399



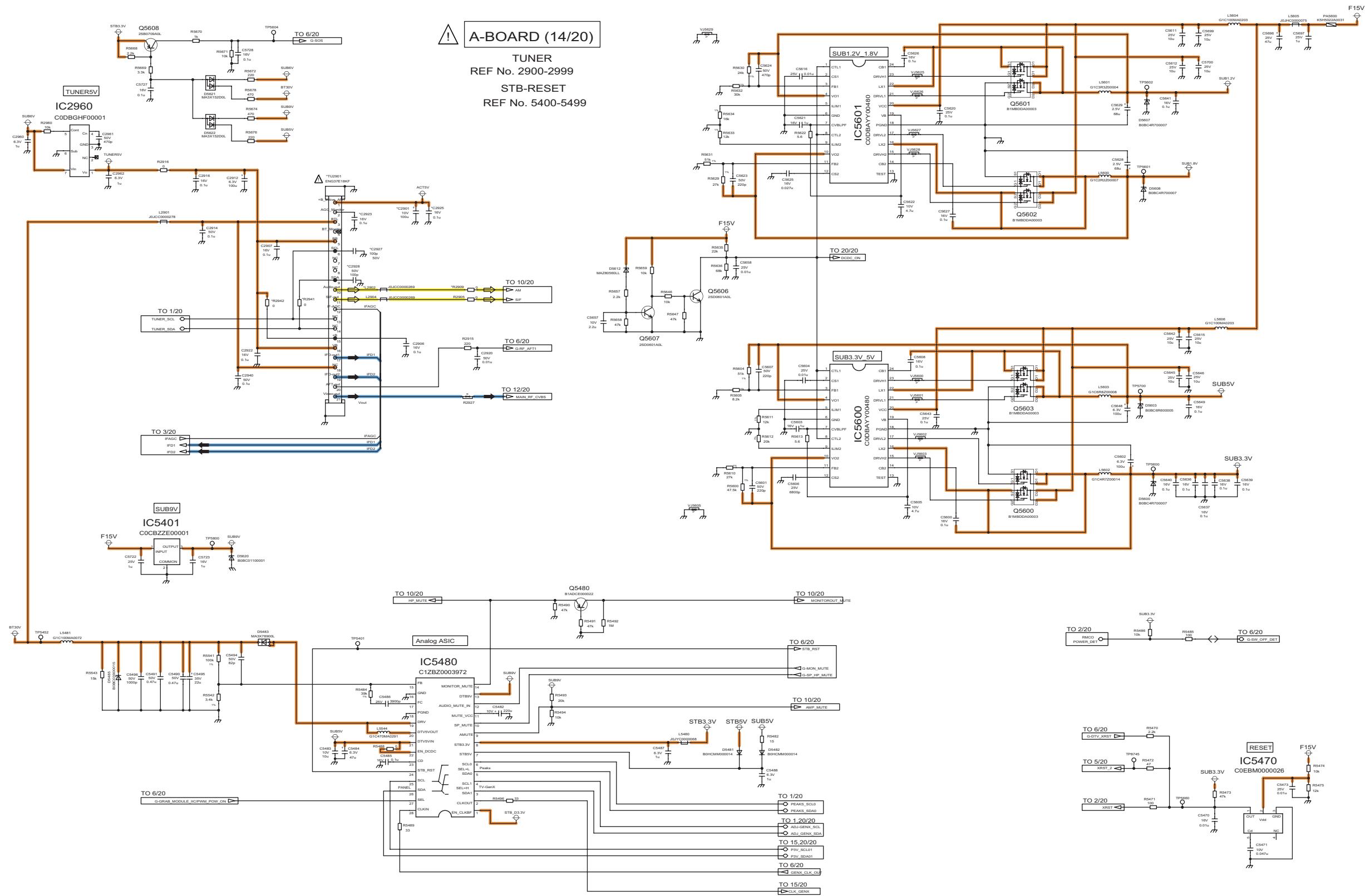
100 101 102 103 104 105 106 107 108

11.17. A-Board (13/20) Schematic Diagram


A-BOARD (13/20)
 AVSW
 REF No. 3000-3399



11.18. A-Board (14/20) Schematic Diagram



118

119

120

121

122

123

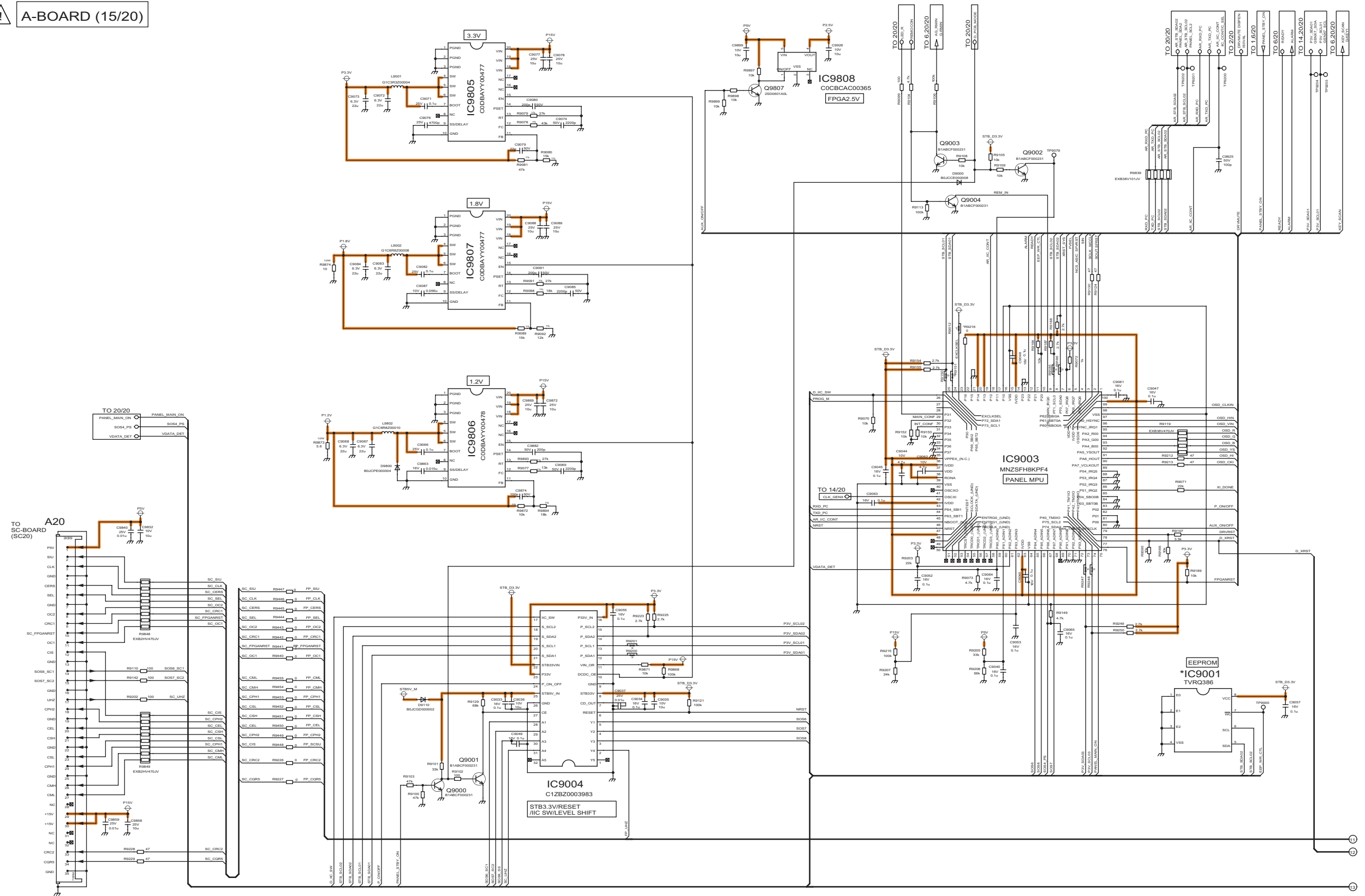
124

125

126

11.19. A-Board (15/20) Schematic Diagram

A-BOARD (15/20)



127

128

129

130

131

132

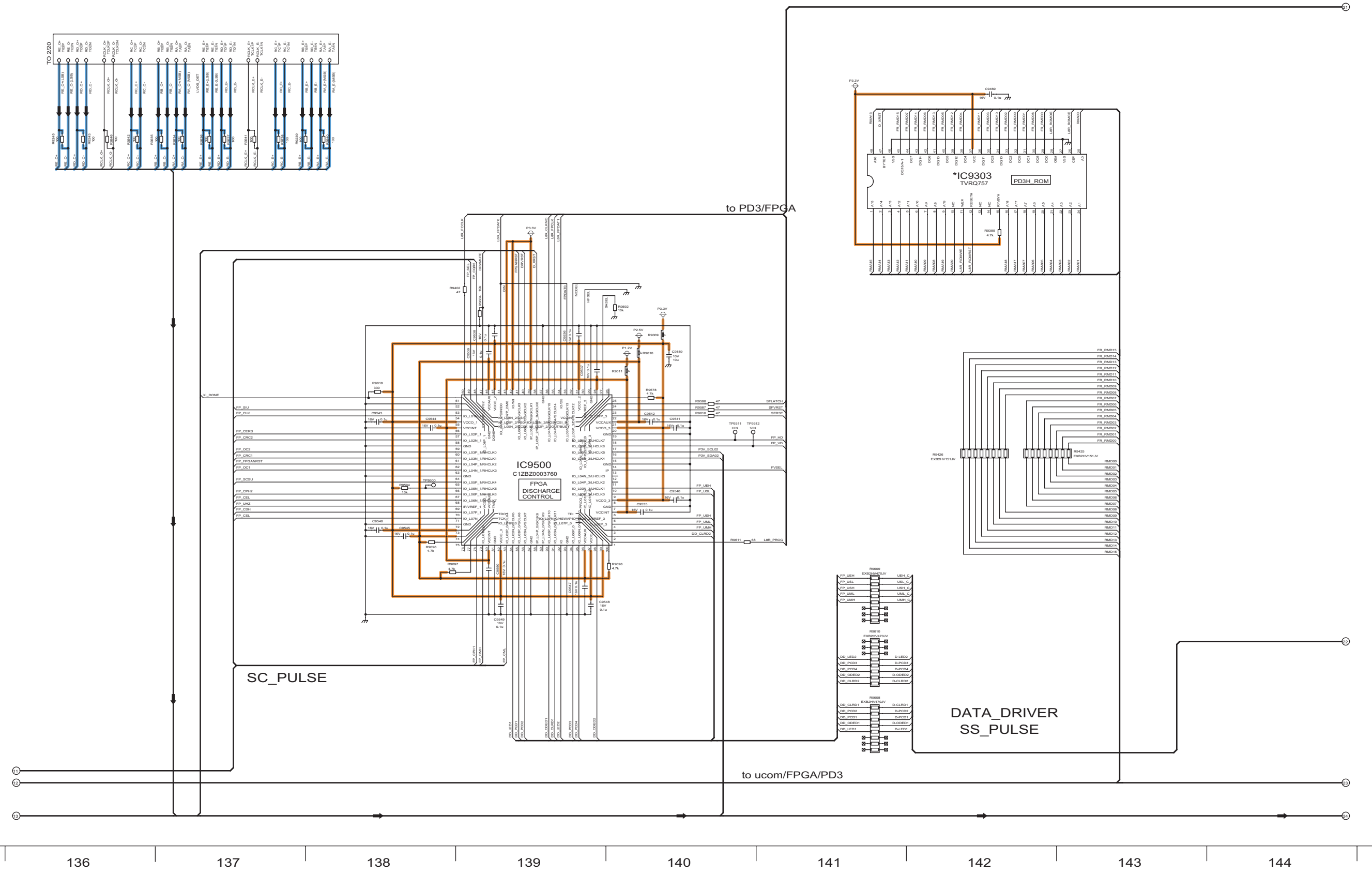
133

134

135

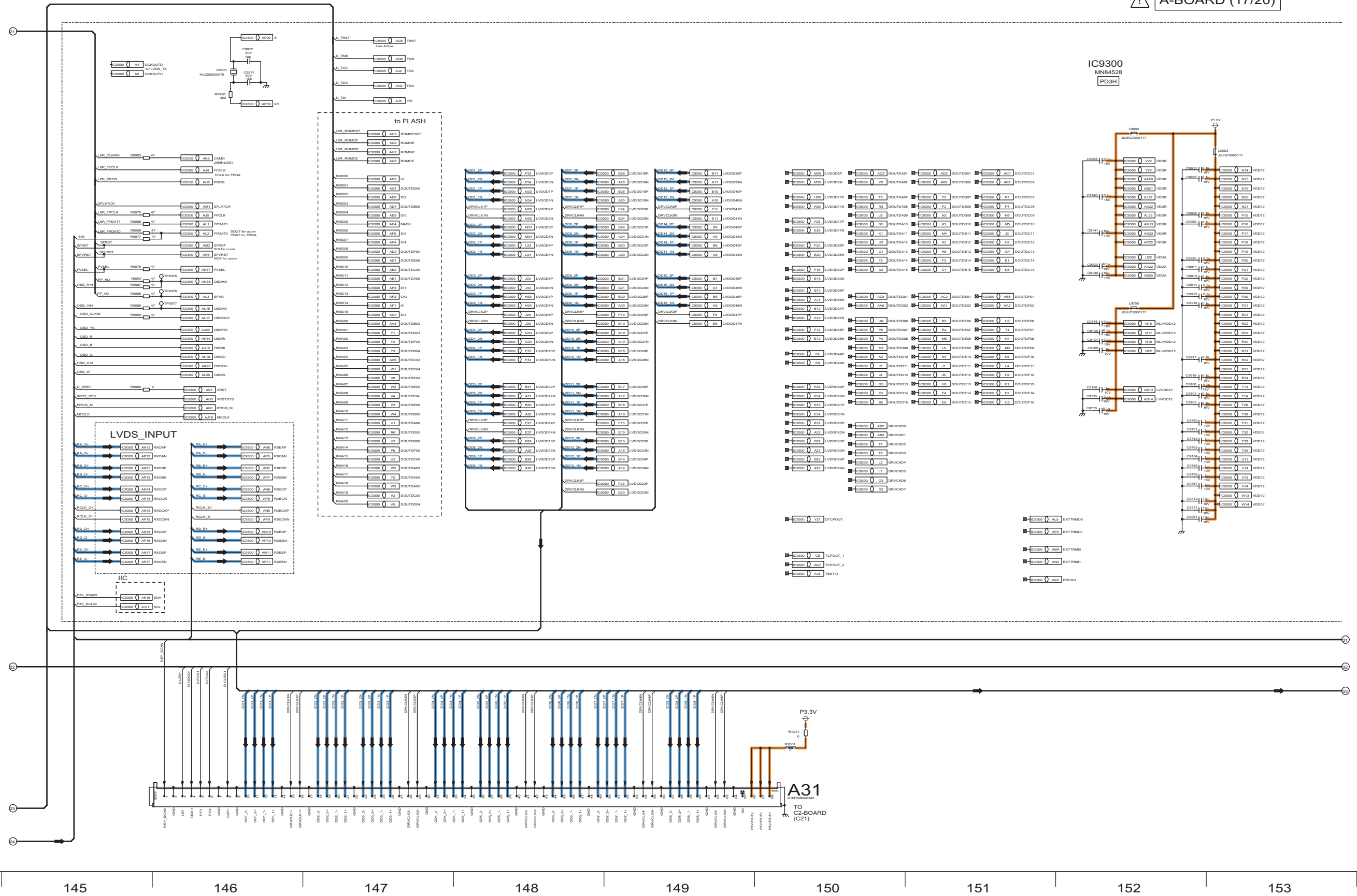
11.20. A-Board (16/20) Schematic Diagram

A-BOARD (16/20)



11.21. A-Board (17/20) Schematic Diagram

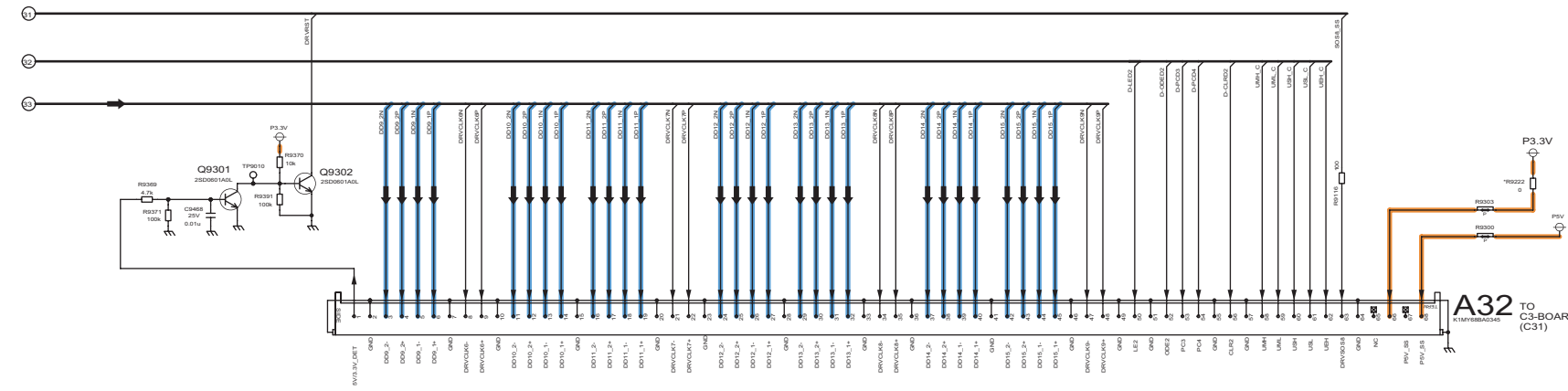
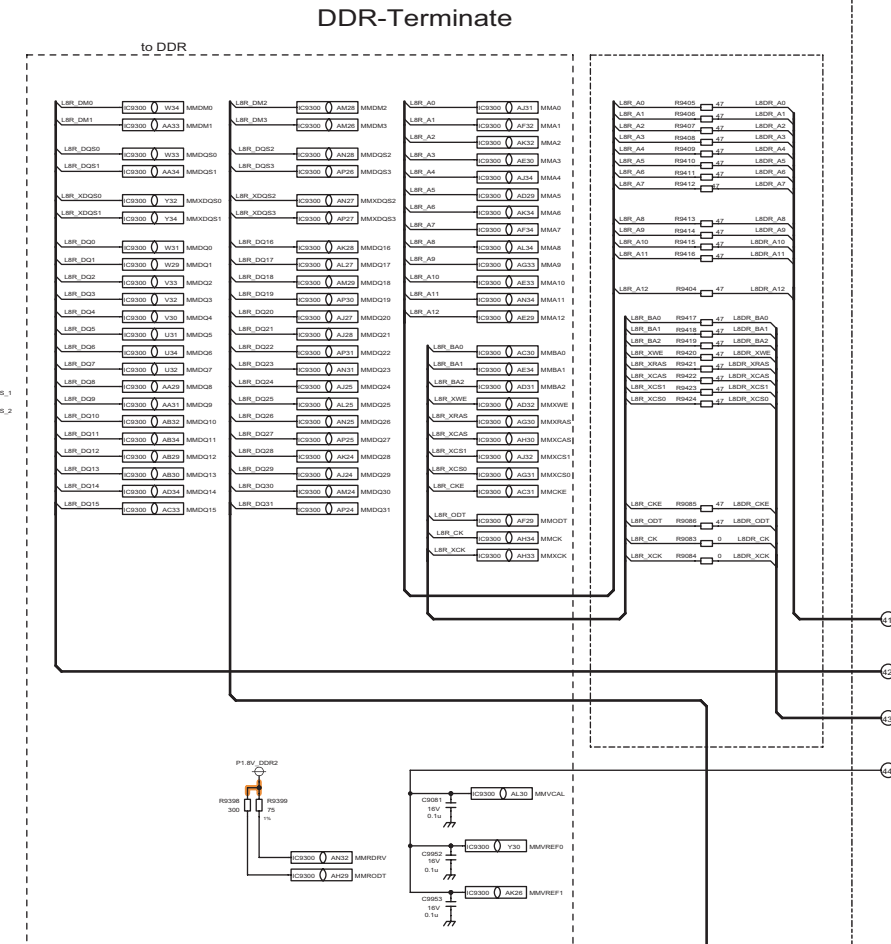
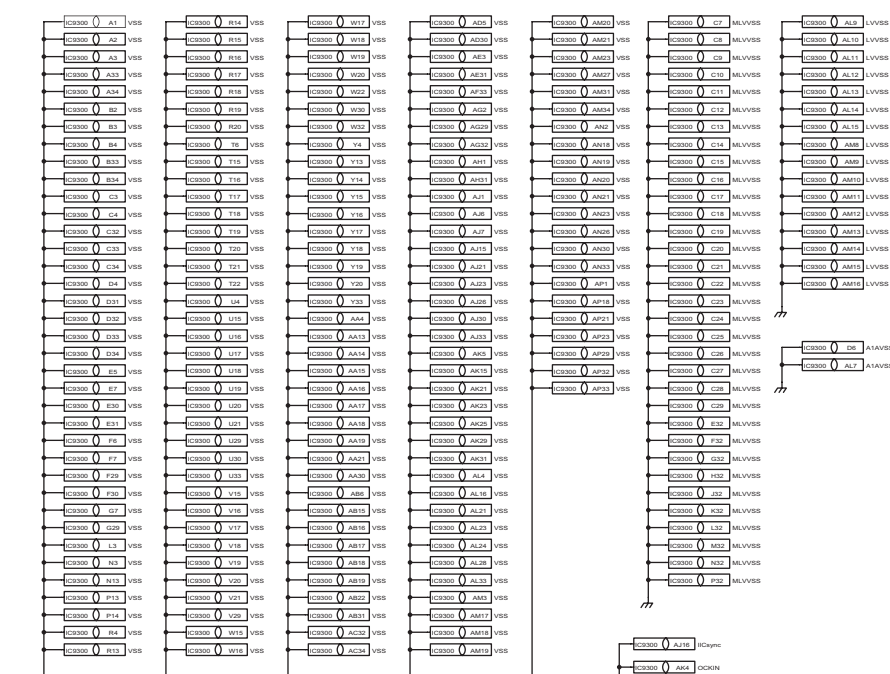
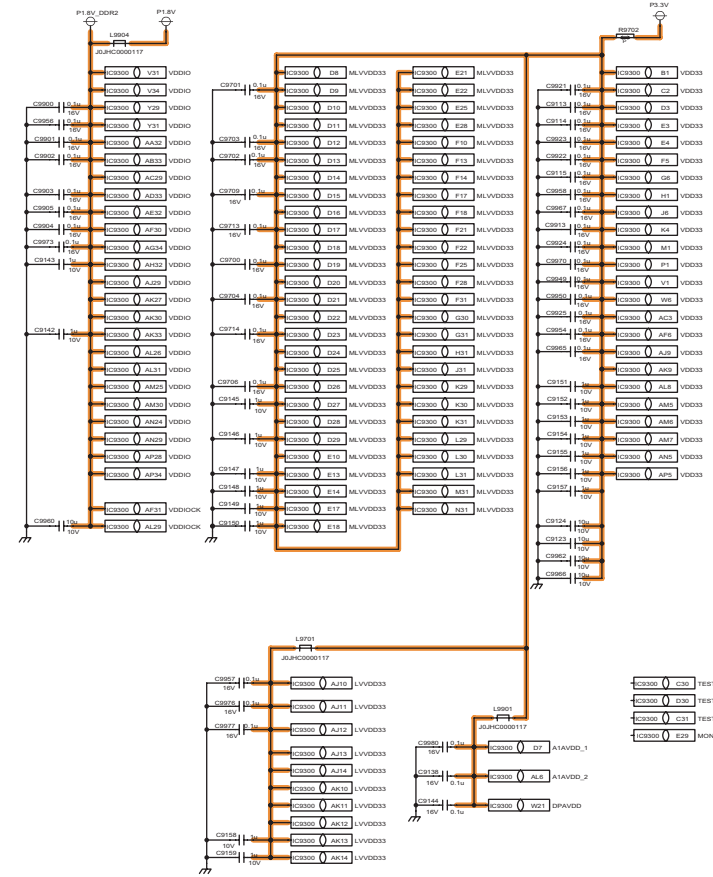
A-BOARD (17/20)



11.22. A-Board (18/20) Schematic Diagram

A-BOARD (18/20)

IC9300
MN84528
FD3H



154

155

156

157

158

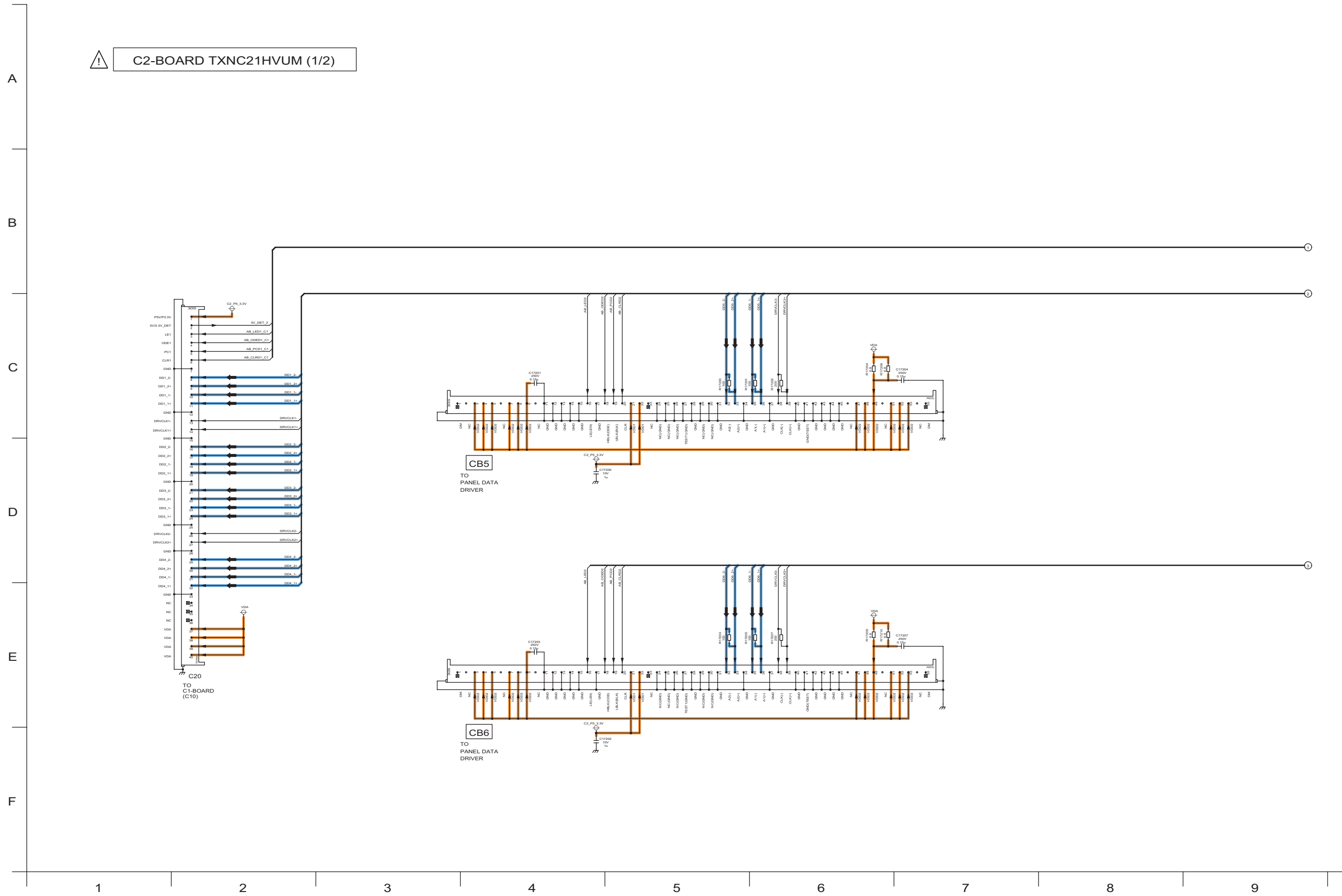
159

160

161

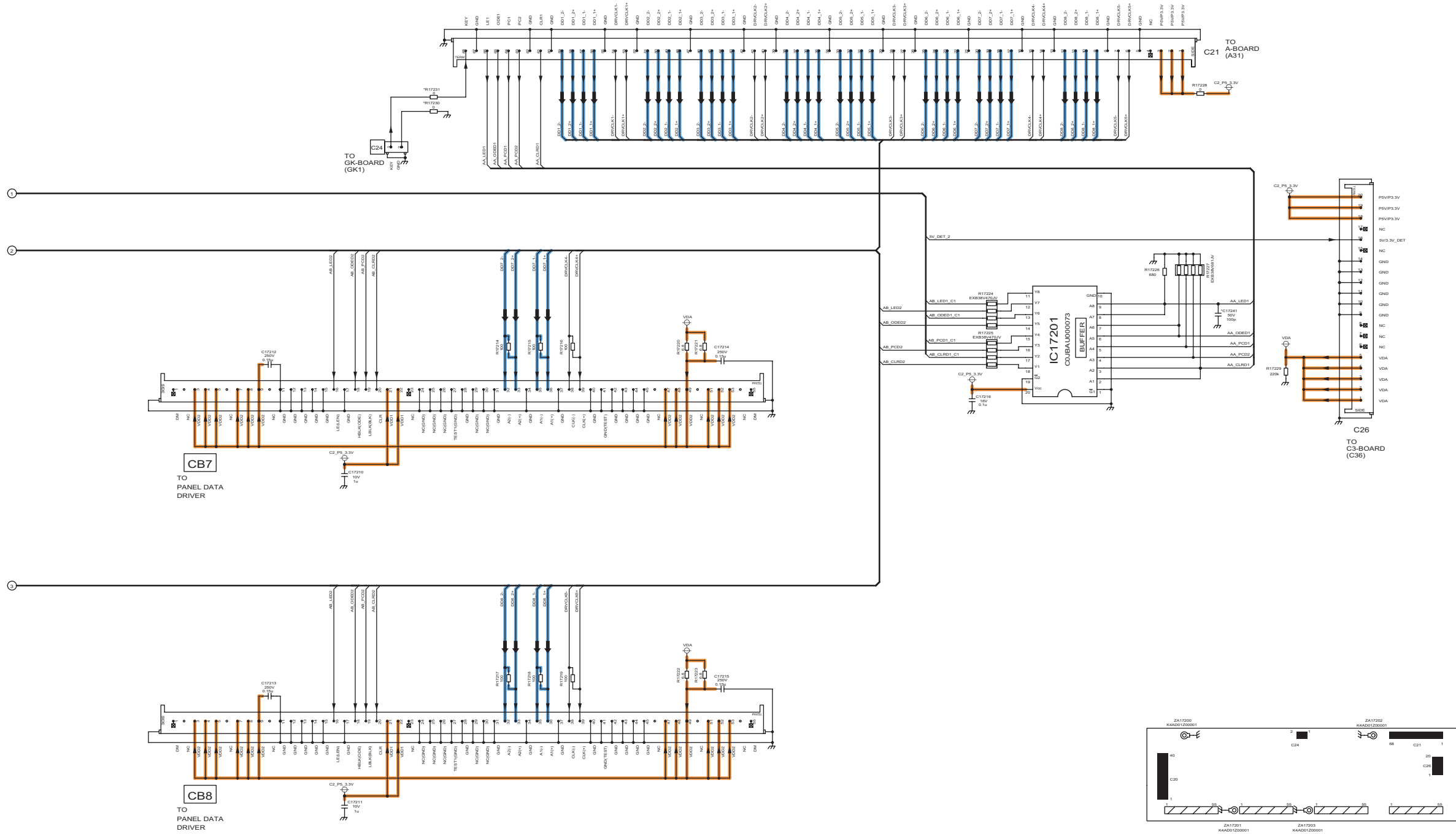
162

11.26. C2-Board (1/2) Schematic Diagram



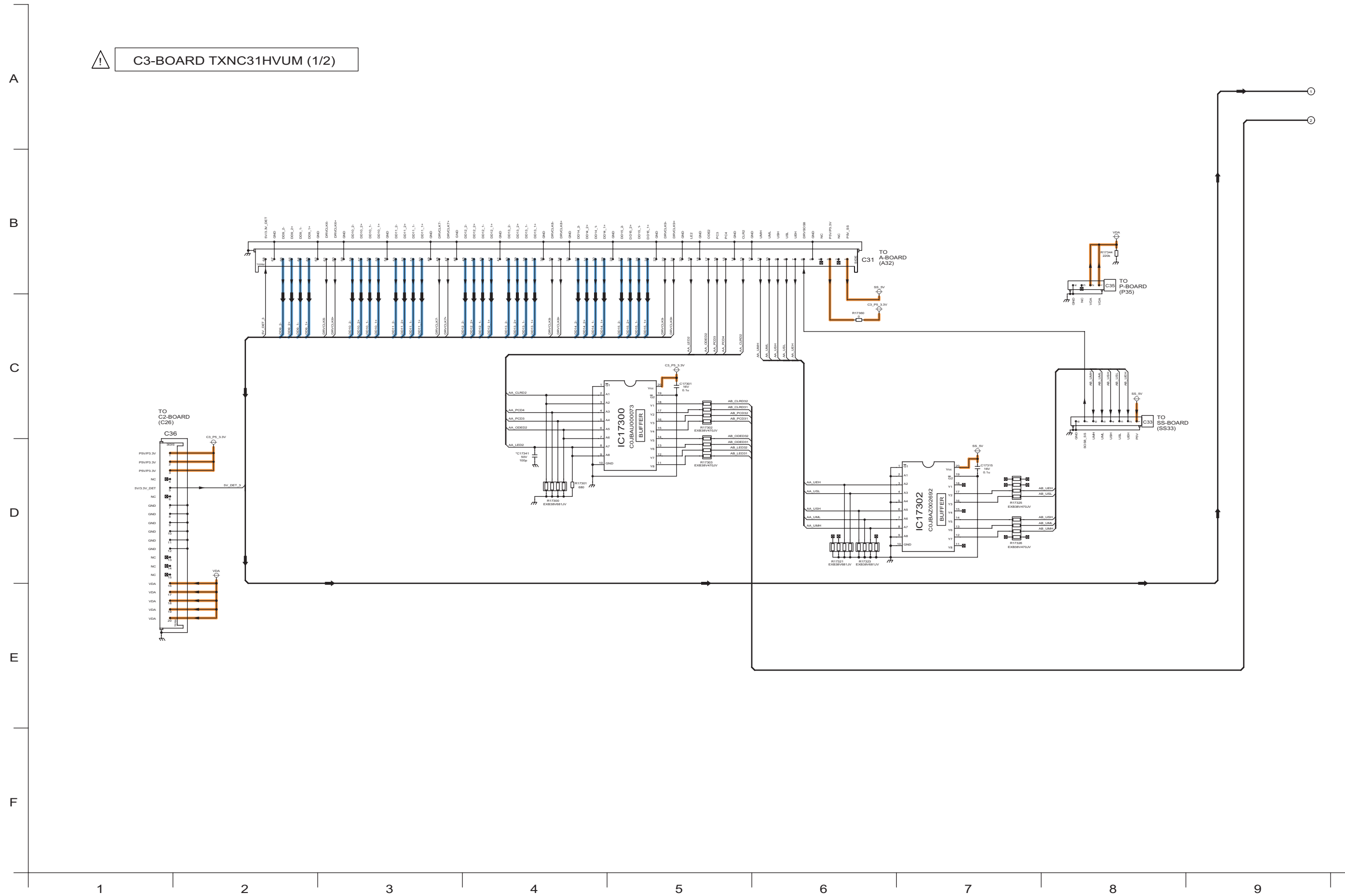
11.27. C2-Board (2/2) Schematic Diagram

! C2-BOARD TXNC21HVUM (2/2)

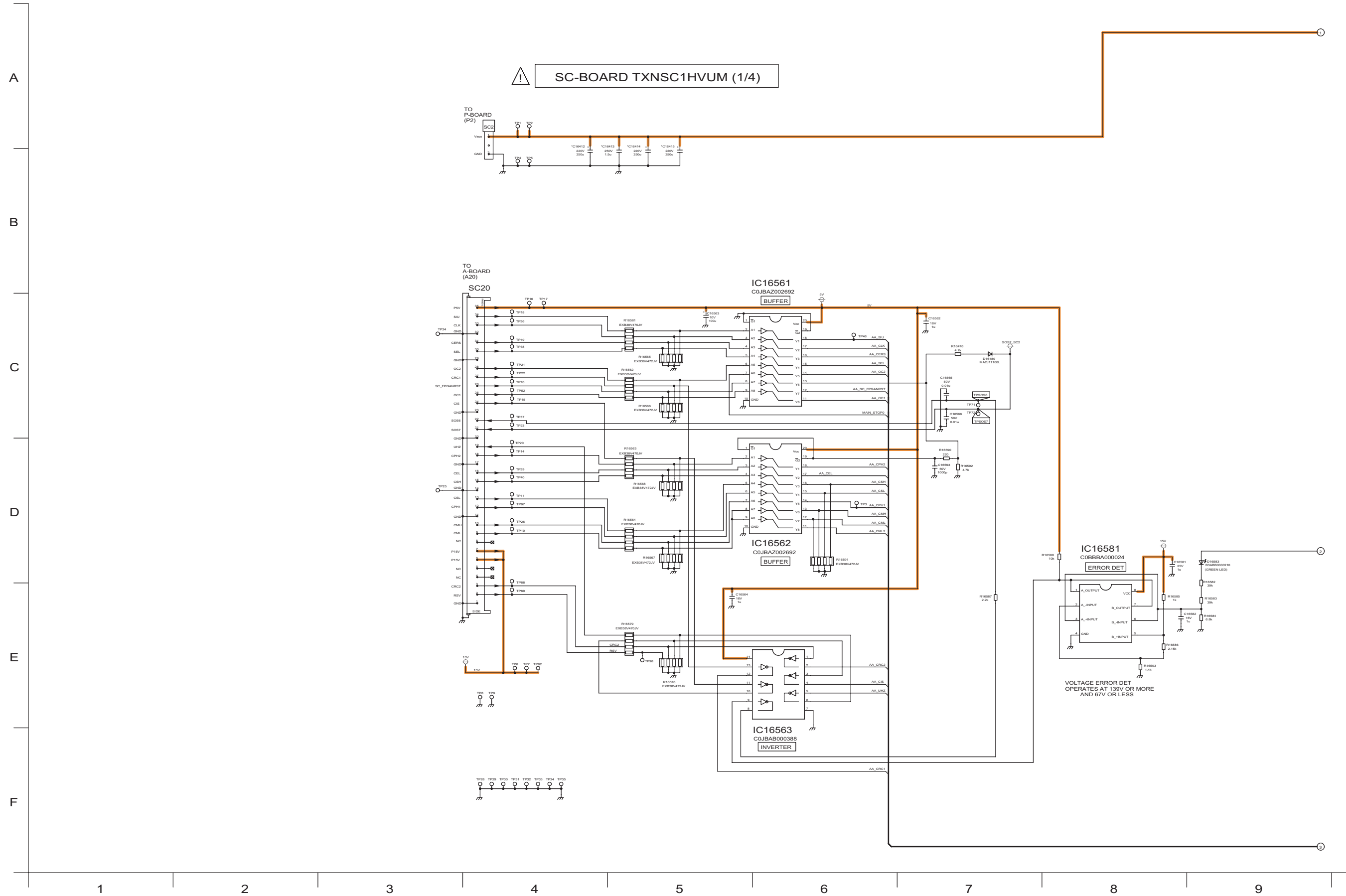


10 11 12 13 14 15 16 17 18

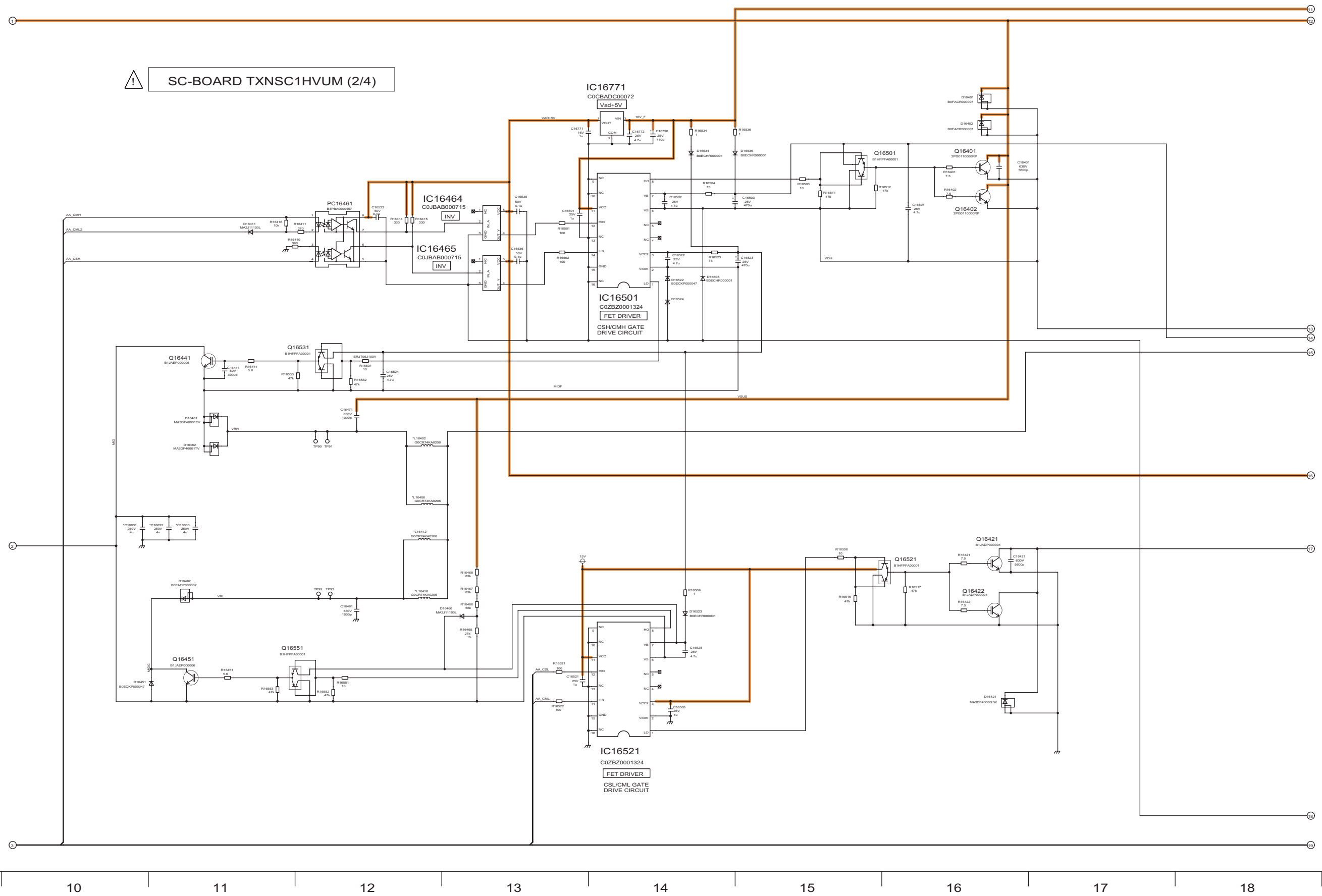
11.28. C3-Board (1/2) Schematic Diagram



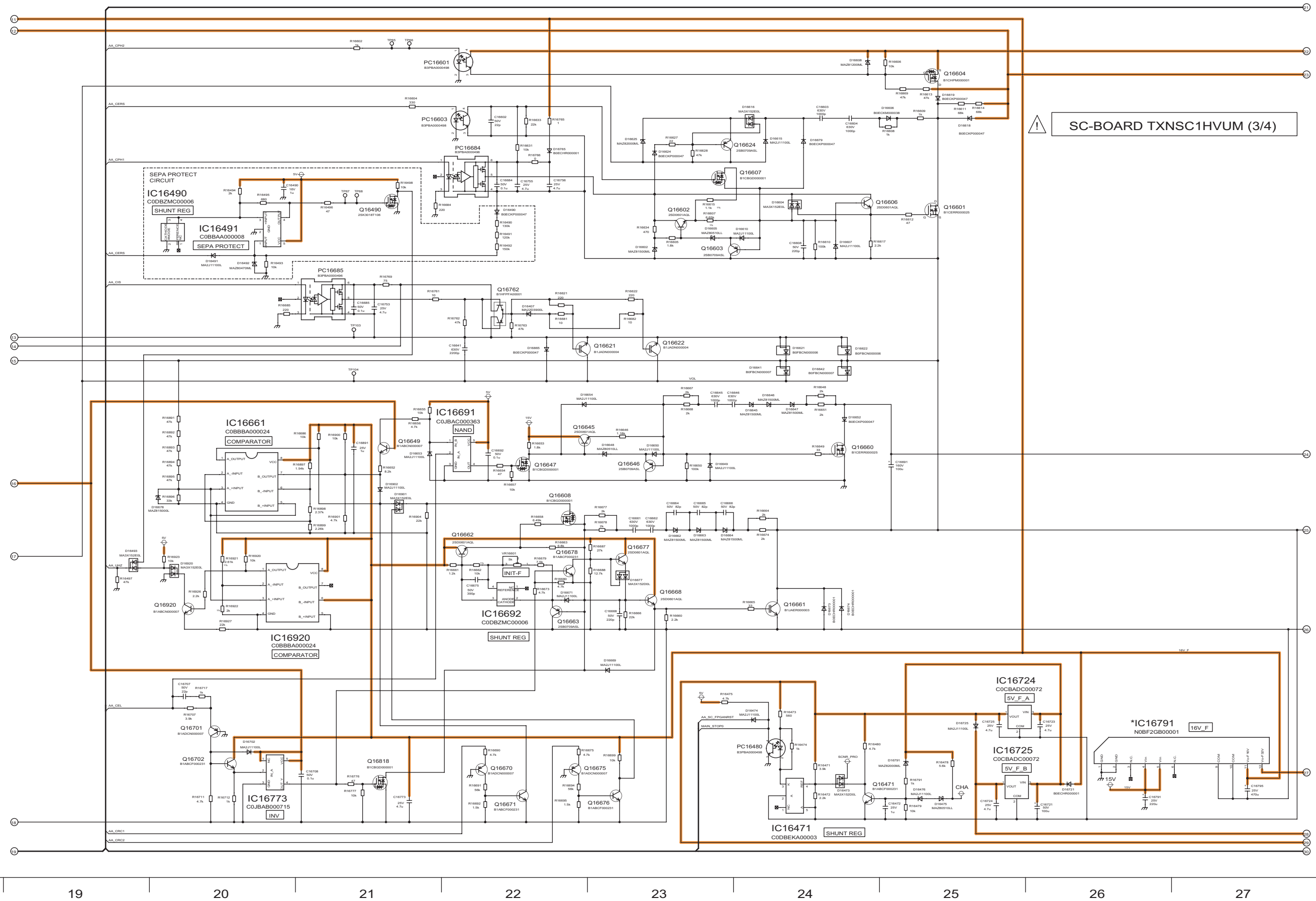
11.30. SC-Board (1/4) Schematic Diagram



11.31. SC-Board (2/4) Schematic Diagram



11.32. SC-Board (3/4) Schematic Diagram



19

20

21

22

23

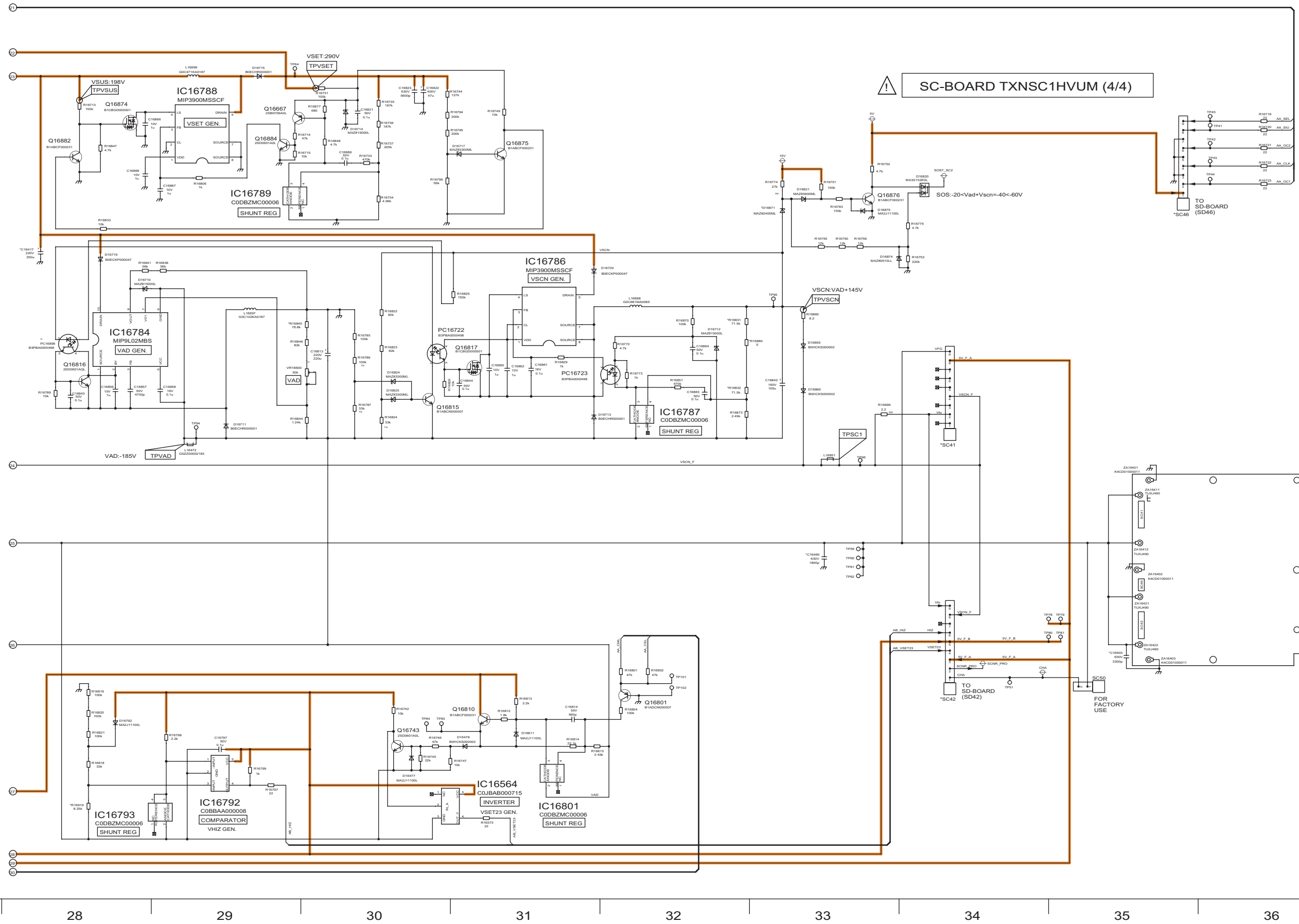
24

25

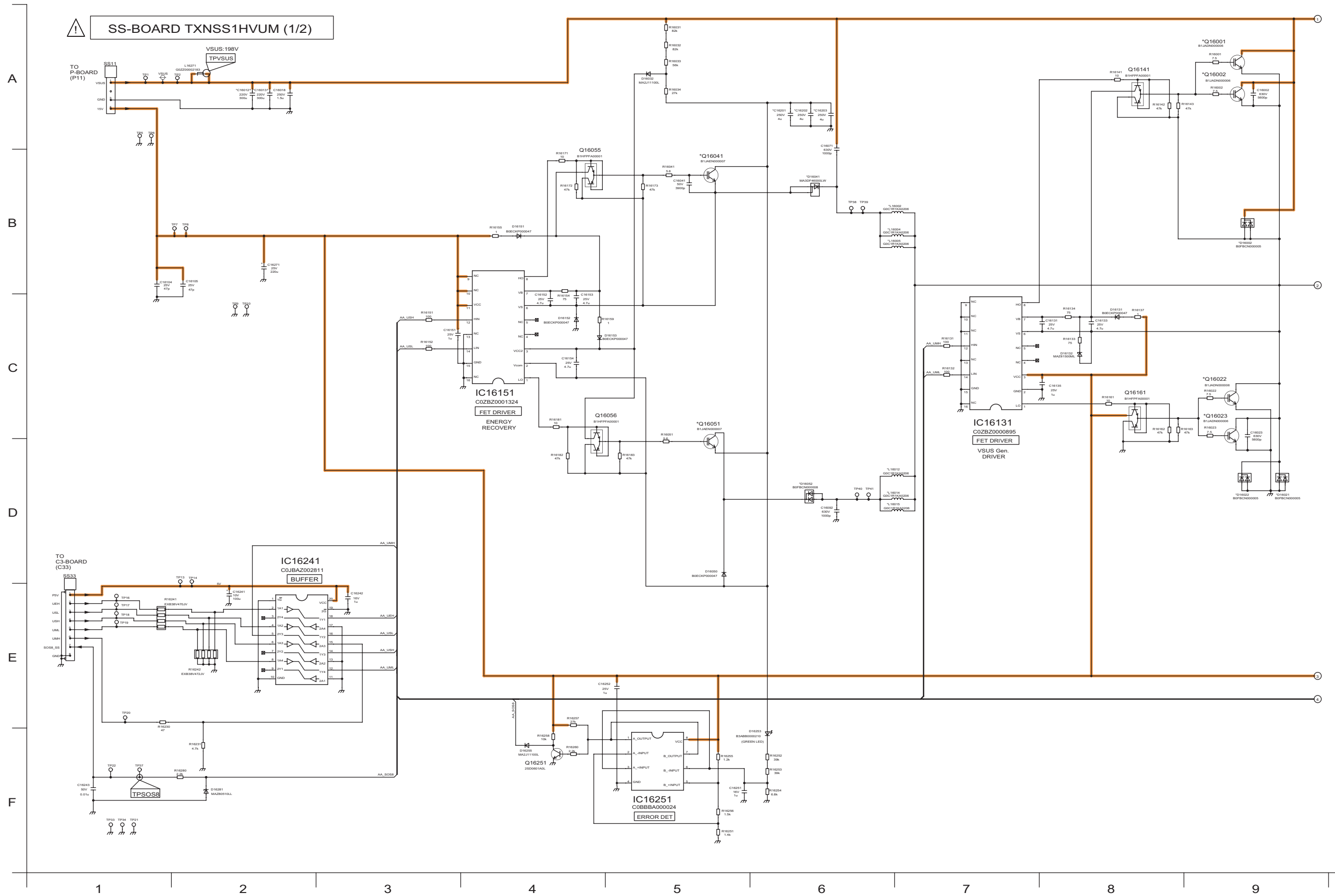
26

27

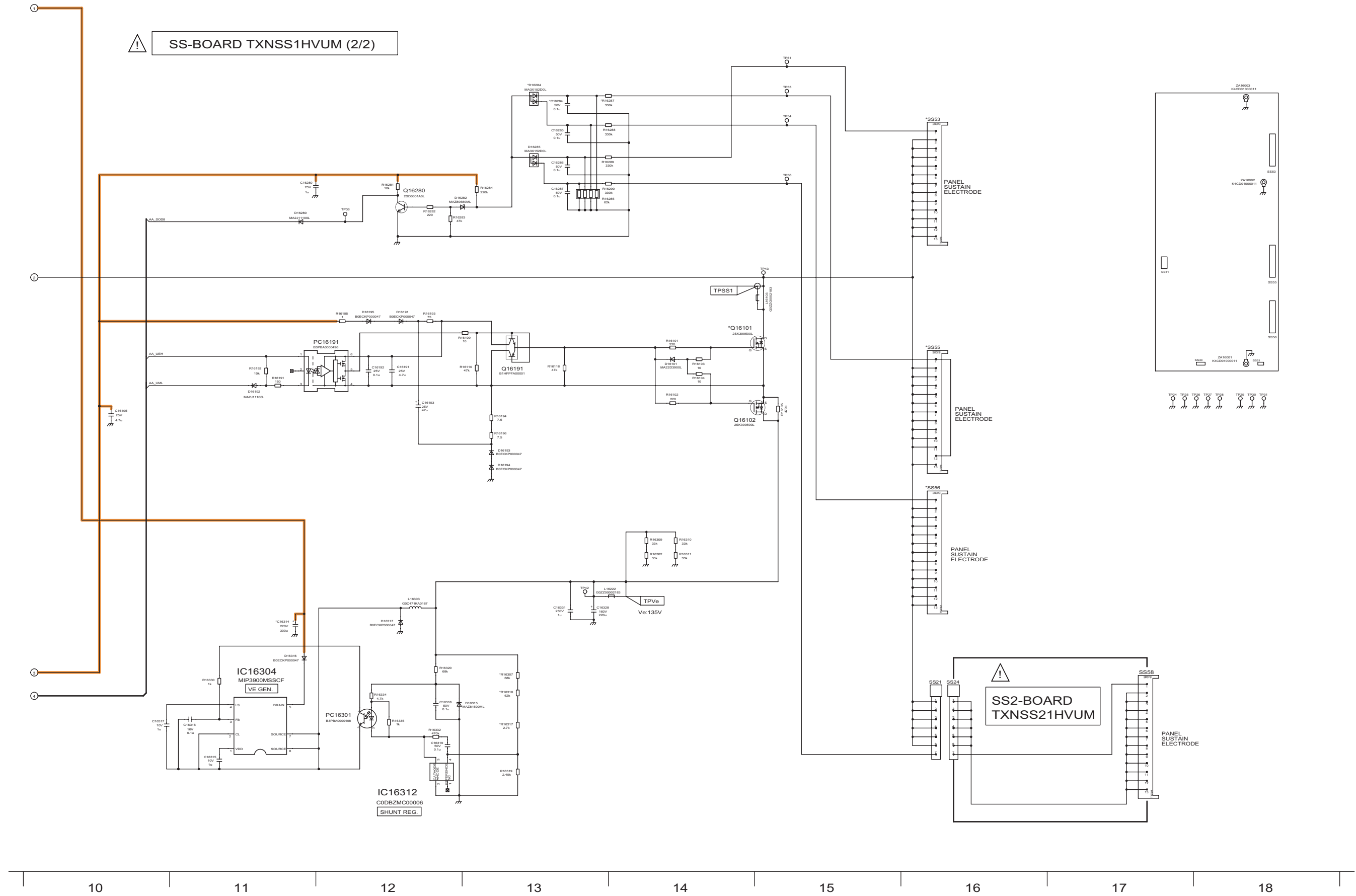
11.33. SC-Board (4/4) Schematic Diagram



11.34. SS-Board (1/2) Schematic Diagram

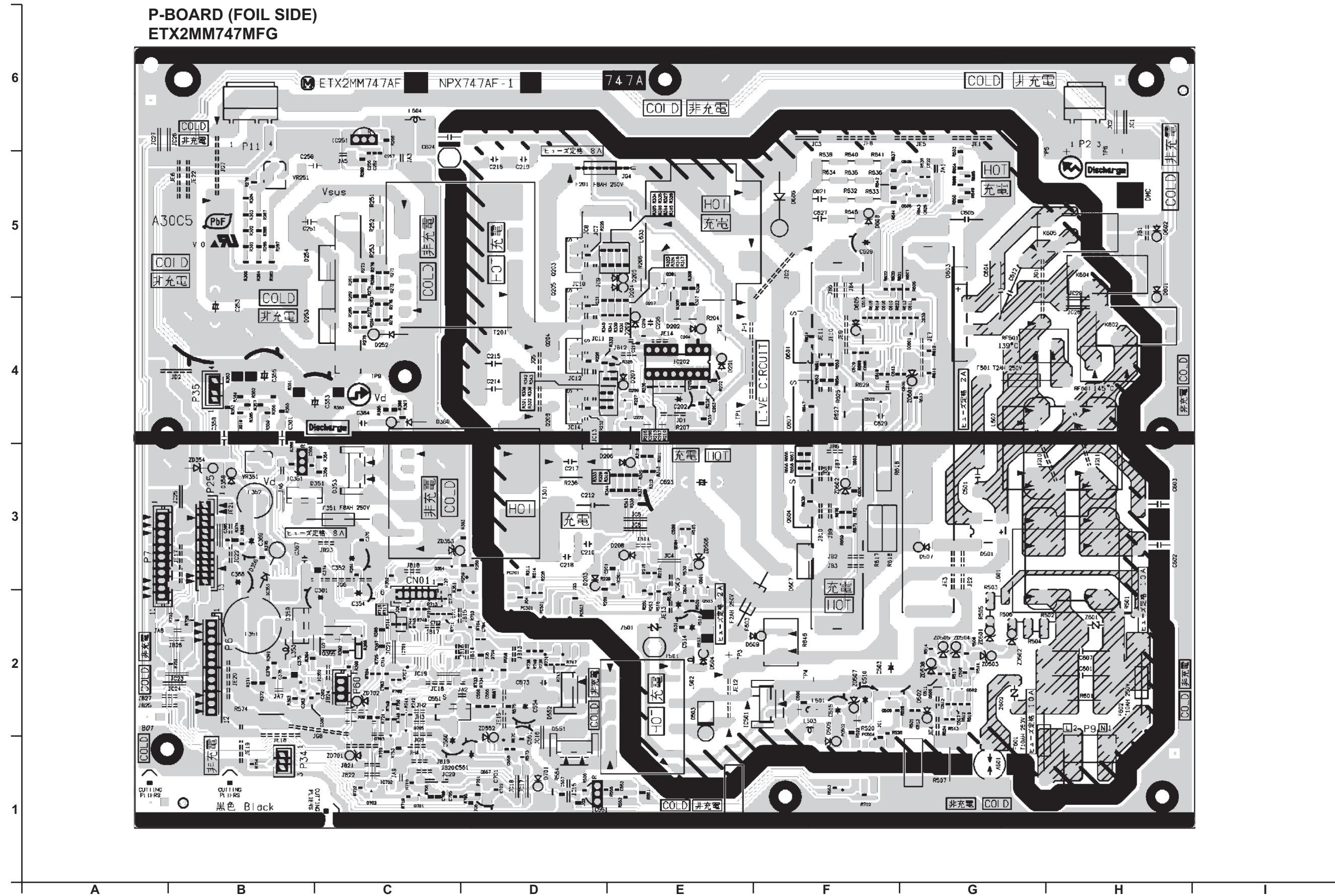


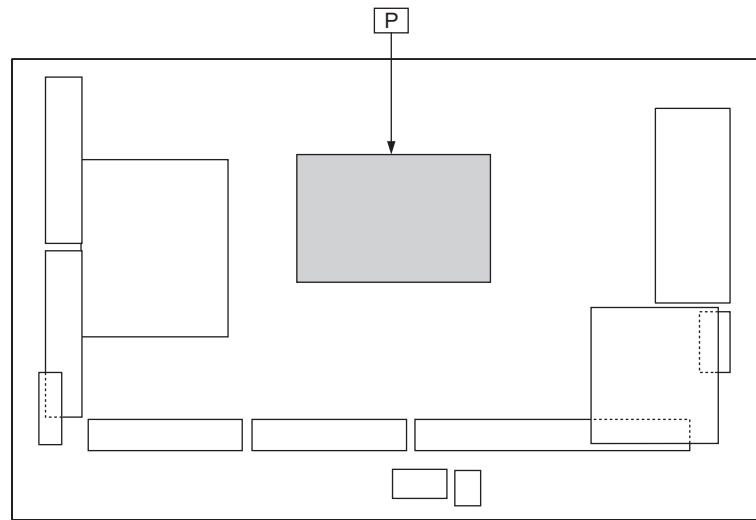
11.35. SS-Board (2/2) and SS2-Board Schematic Diagram



12 Printed Circuit Board

12.1. P-Board





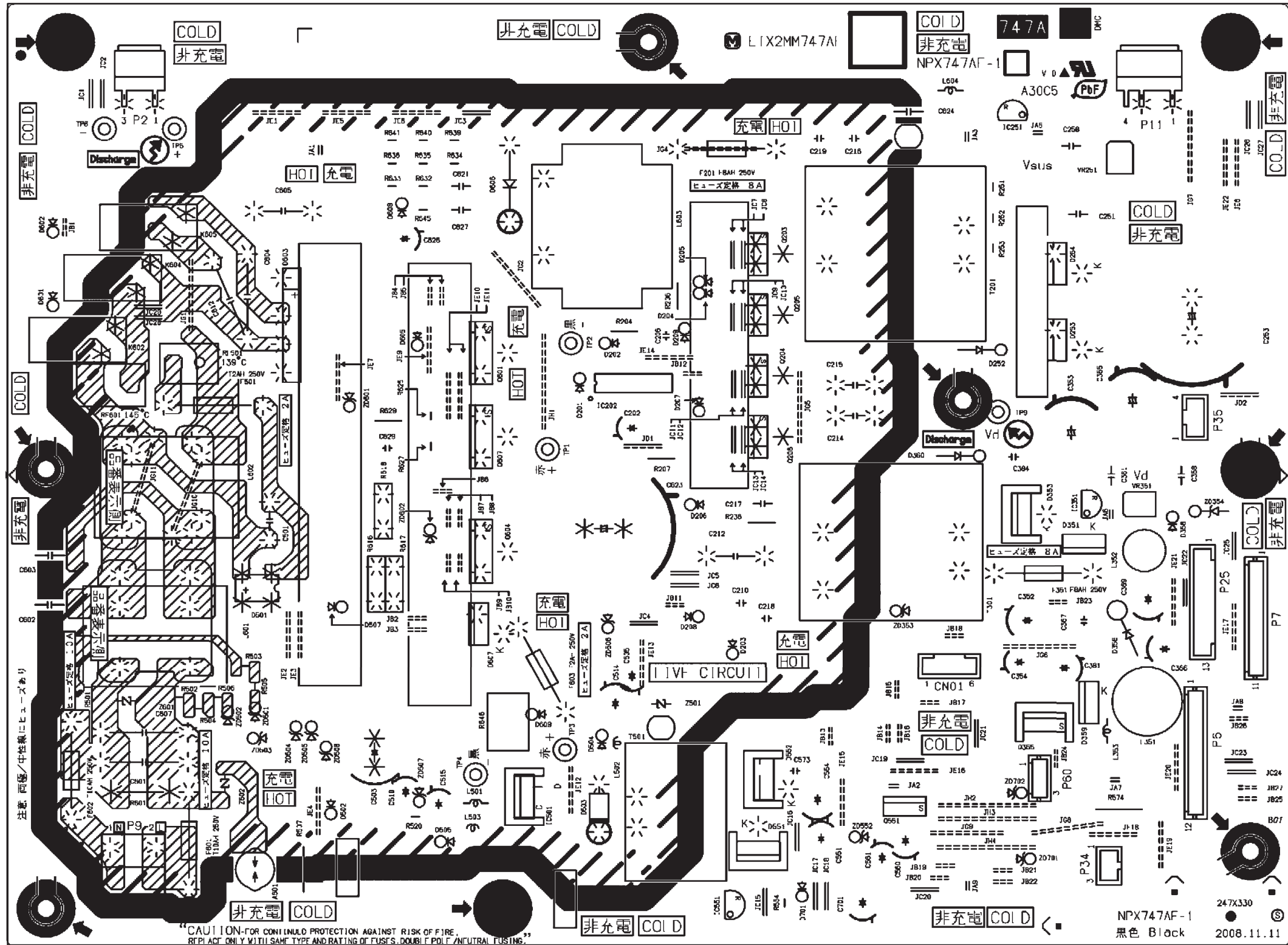
Parts Location

P-BOARD (FOIL SIDE)					
IC		TRANSISTOR		TEST POINT	
IC201	E-3	Q201	E-5	TP1	E-4
IC202	E-4	Q202	E-4	TP2	E-4
IC251	C-6	Q203	D-5	TP3	E-2
IC351	B-3	Q204	D-4	TP4	F-2
IC352	C-2	Q205	D-5	TP5	H-6
IC353	B-3	Q206	D-4	TP6	H-6
IC501	E-2	Q207	E-4	TP9	C-4
IC551	D-1	Q208	E-4	VOLUME	
IC601	G-4	Q354	C-3		
IC701	C-2	Q355	C-2	VR251	B-5
IC702	C-1	Q501	F-4	VR351	B-3
PHOTO COUPLER		Q502	G-2		
PC201	D-3	Q503	E-2		
PC301	D-2	Q504	F-3		
PC501	D-2	Q505	G-2		
PC502	F-2	Q506	F-2		
PC503	D-2	Q551	C-2		
PC504	F-2	Q557	D-1		
		Q602	F-4		
		Q603	F-3		
		Q605	G-5		
		Q606	G-5		
		Q701	C-1		
		Q702	C-1		
		Q703	C-1		
		Q704	D-2		
		Q705	C-2		

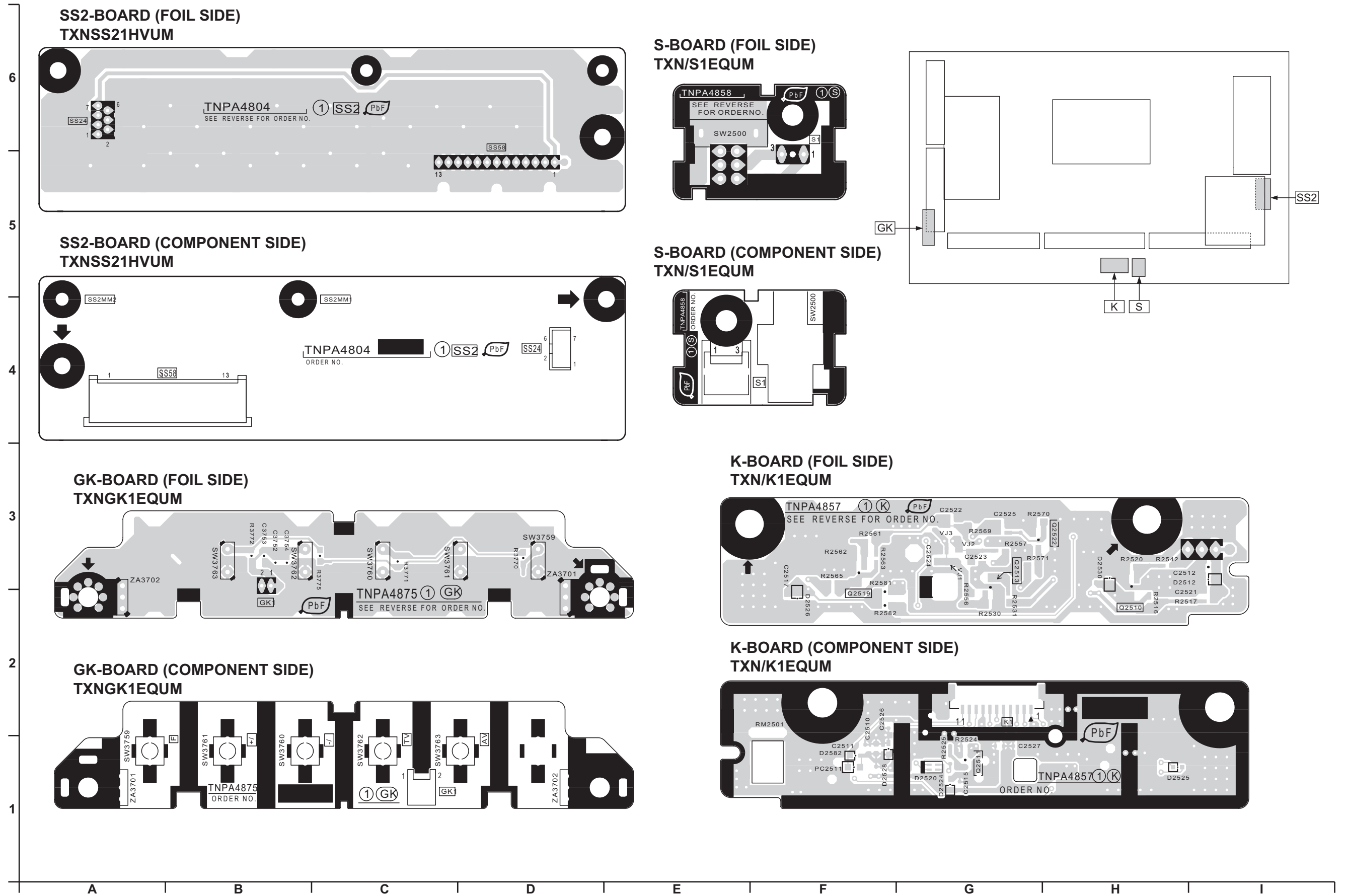
Parts Location

P-BOARD (COMPONENT SIDE)					
IC		TRANSISTOR		TEST POINT	
IC202	E-4	Q203	F-5	TP1	D-4
IC251	G-6	Q204	F-4	TP2	E-4
IC351	G-3	Q205	F-5	TP3	D-2
IC501	D-2	Q206	F-4	TP4	D-2
IC551	E-1	Q355	G-2	TP5	B-5
		Q551	F-2	TP6	B-6
		Q501	D-4	TP9	G-4
		Q504	D-3	VOLUME	
				VR251	G-5
				VR351	H-3

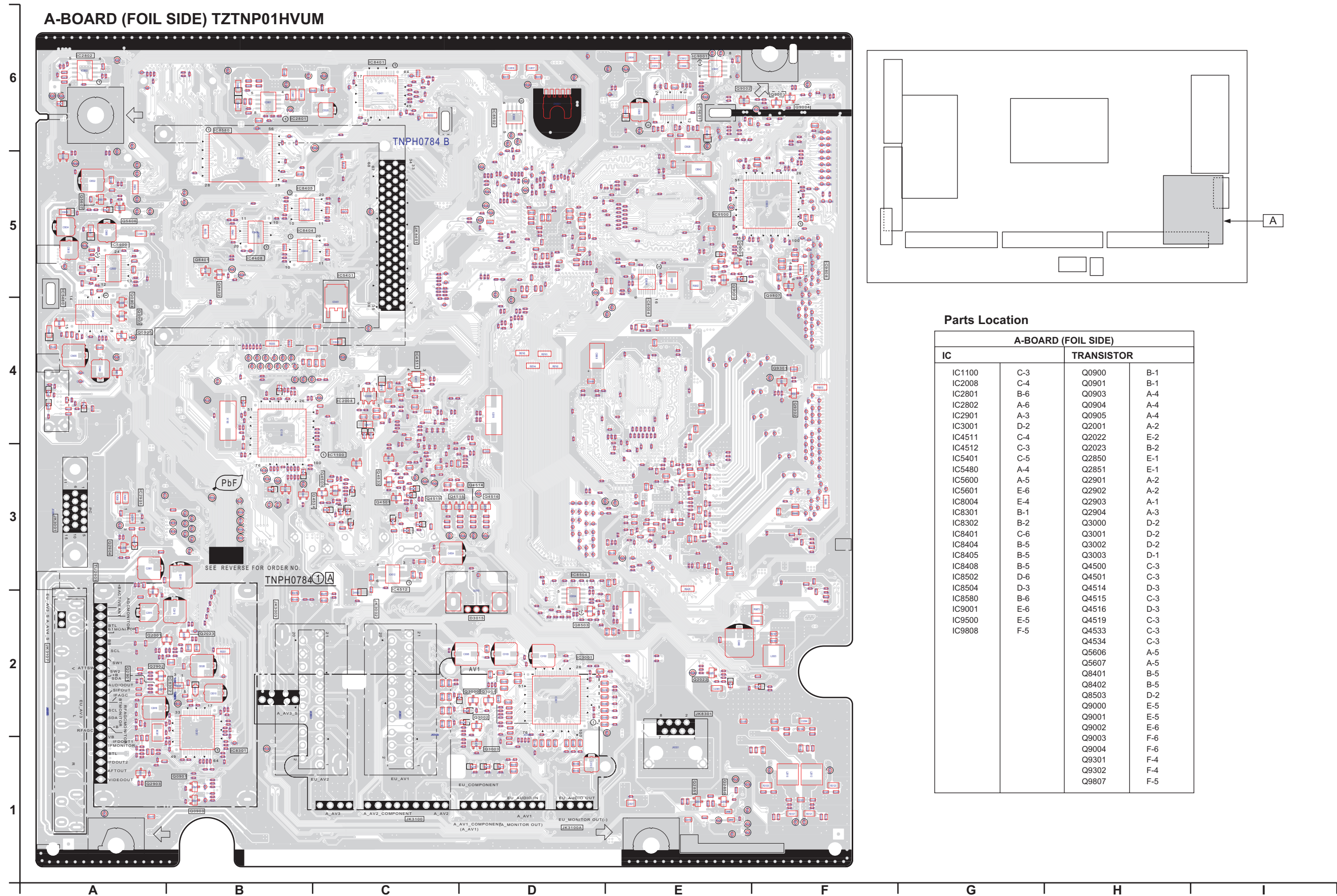
P-BOARD (COMPONENT SIDE)
ETX2MM747MFG



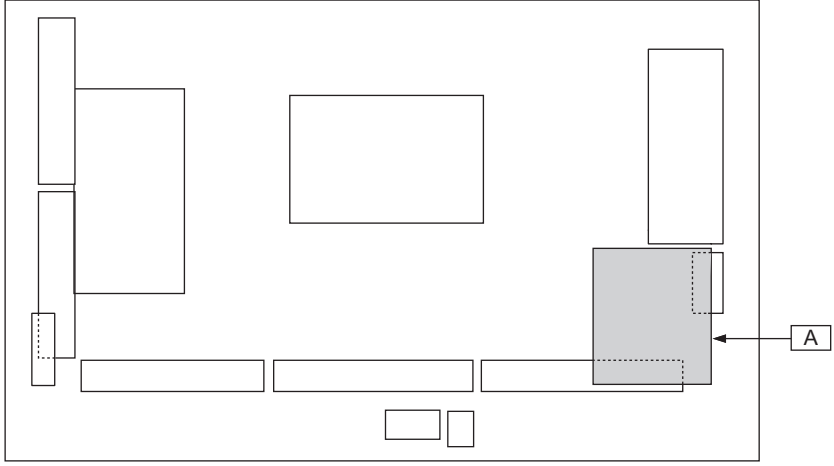
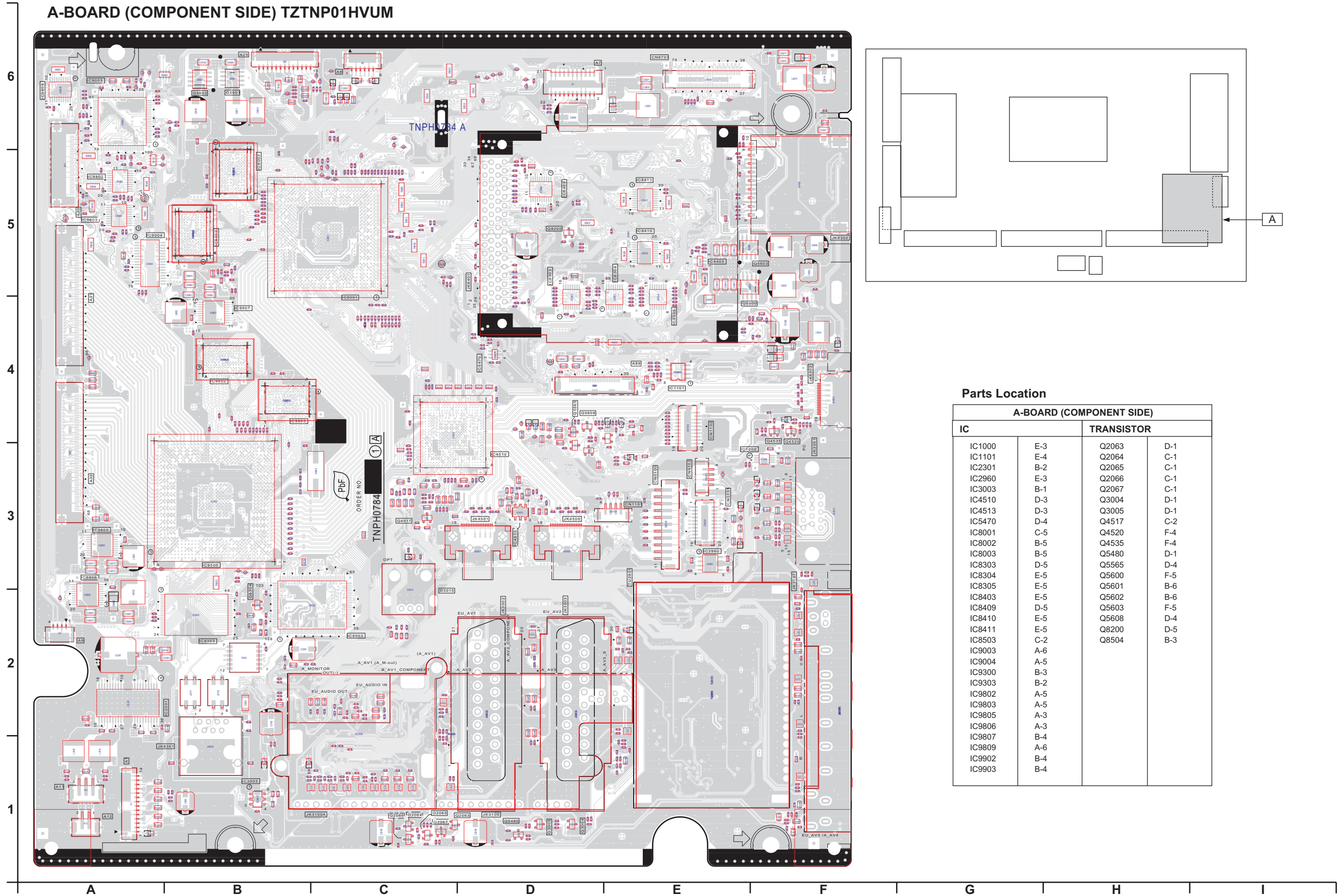
12.2. GK, K, S and SS2-Board



12.3. A-Board



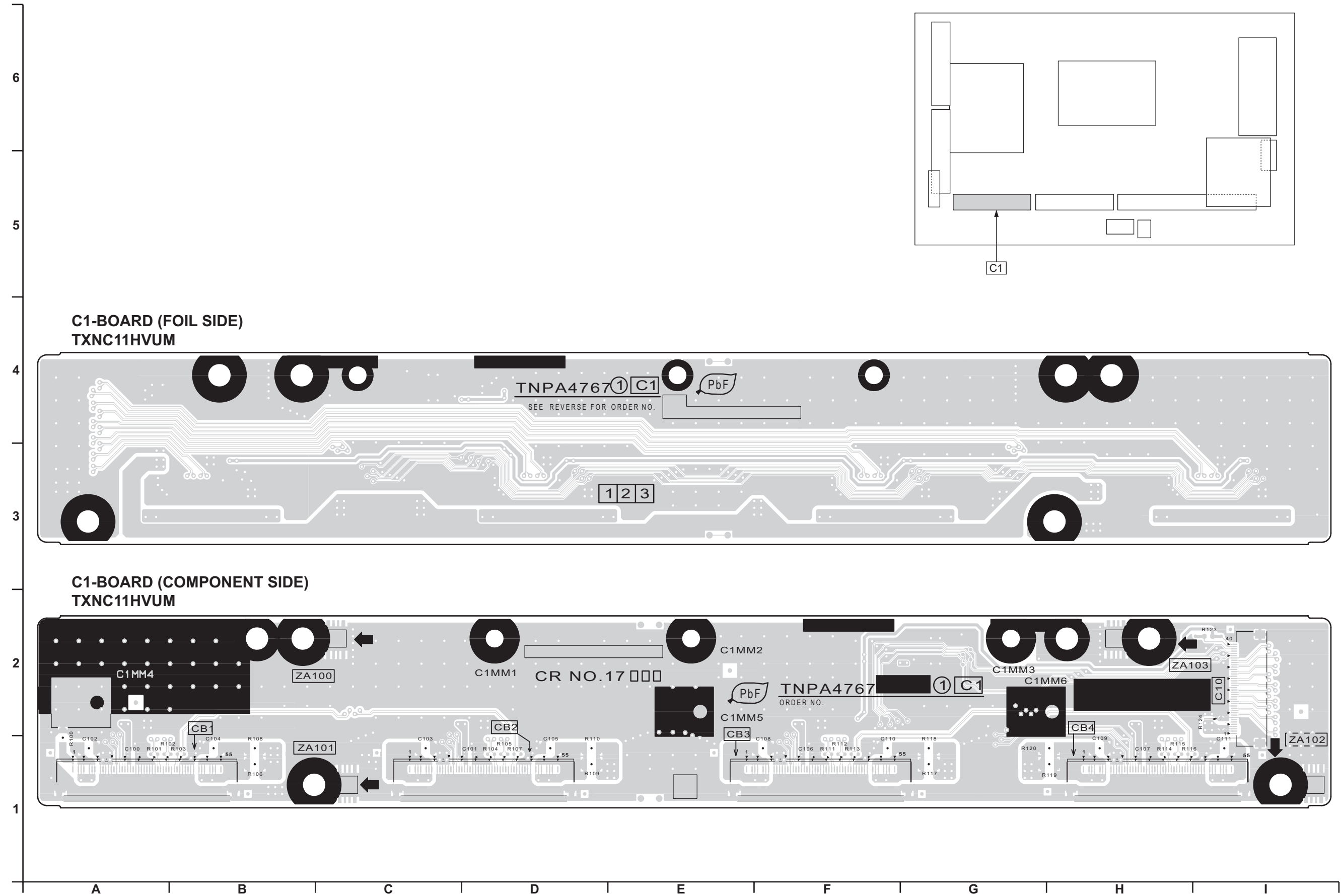
A-BOARD (COMPONENT SIDE) TZTNP01HVUM



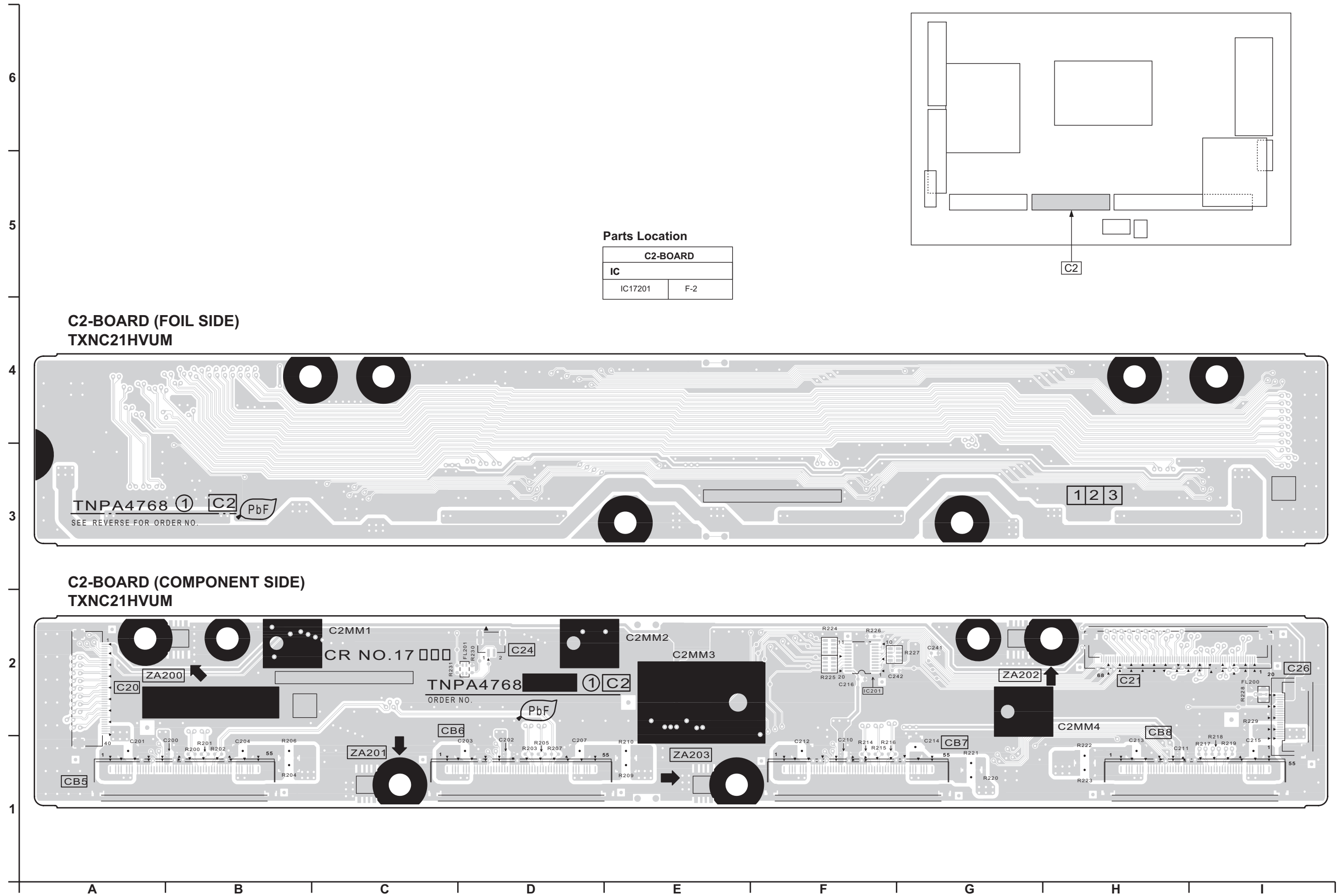
Parts Location

A-BOARD (COMPONENT SIDE)			
IC		TRANSISTOR	
IC1000	E-3	Q2063	D-1
IC1101	E-4	Q2064	C-1
IC2301	B-2	Q2065	C-1
IC2960	E-3	Q2066	C-1
IC3003	B-1	Q2067	C-1
IC4510	D-3	Q3004	D-1
IC4513	D-3	Q3005	D-1
IC5470	D-4	Q4517	C-2
IC8001	C-5	Q4520	F-4
IC8002	B-5	Q4535	F-4
IC8003	B-5	Q5480	D-1
IC8303	D-5	Q5565	D-4
IC8304	E-5	Q5600	F-5
IC8305	E-5	Q5601	B-6
IC8403	E-5	Q5602	B-6
IC8409	D-5	Q5603	F-5
IC8410	E-5	Q5608	D-4
IC8411	E-5	Q8200	D-5
IC8503	C-2	Q8504	B-3
IC9003	A-6		
IC9004	A-5		
IC9300	B-3		
IC9303	B-2		
IC9802	A-5		
IC9803	A-5		
IC9805	A-3		
IC9806	A-3		
IC9807	B-4		
IC9809	A-6		
IC9902	B-4		
IC9903	B-4		

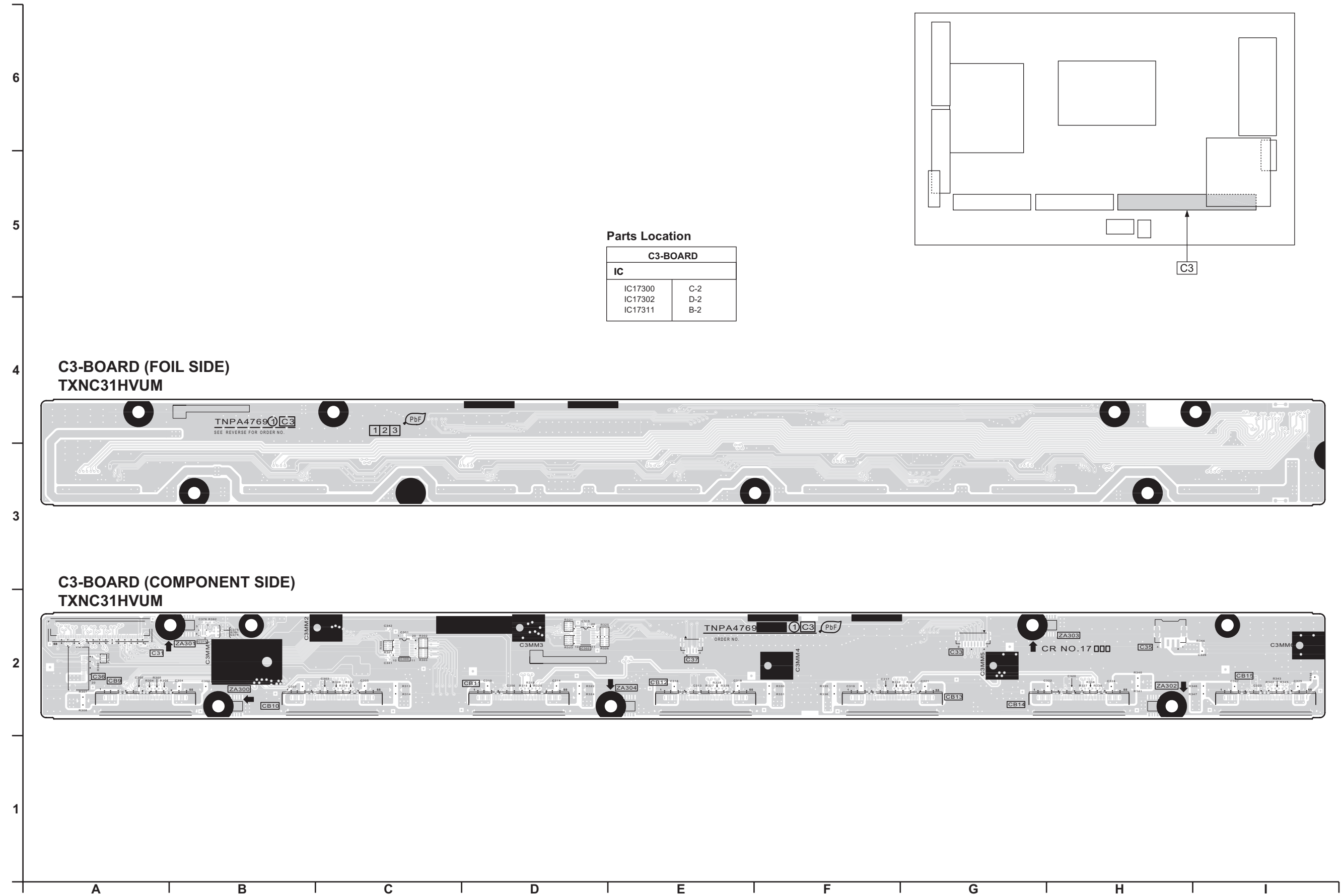
12.4. C1-Board



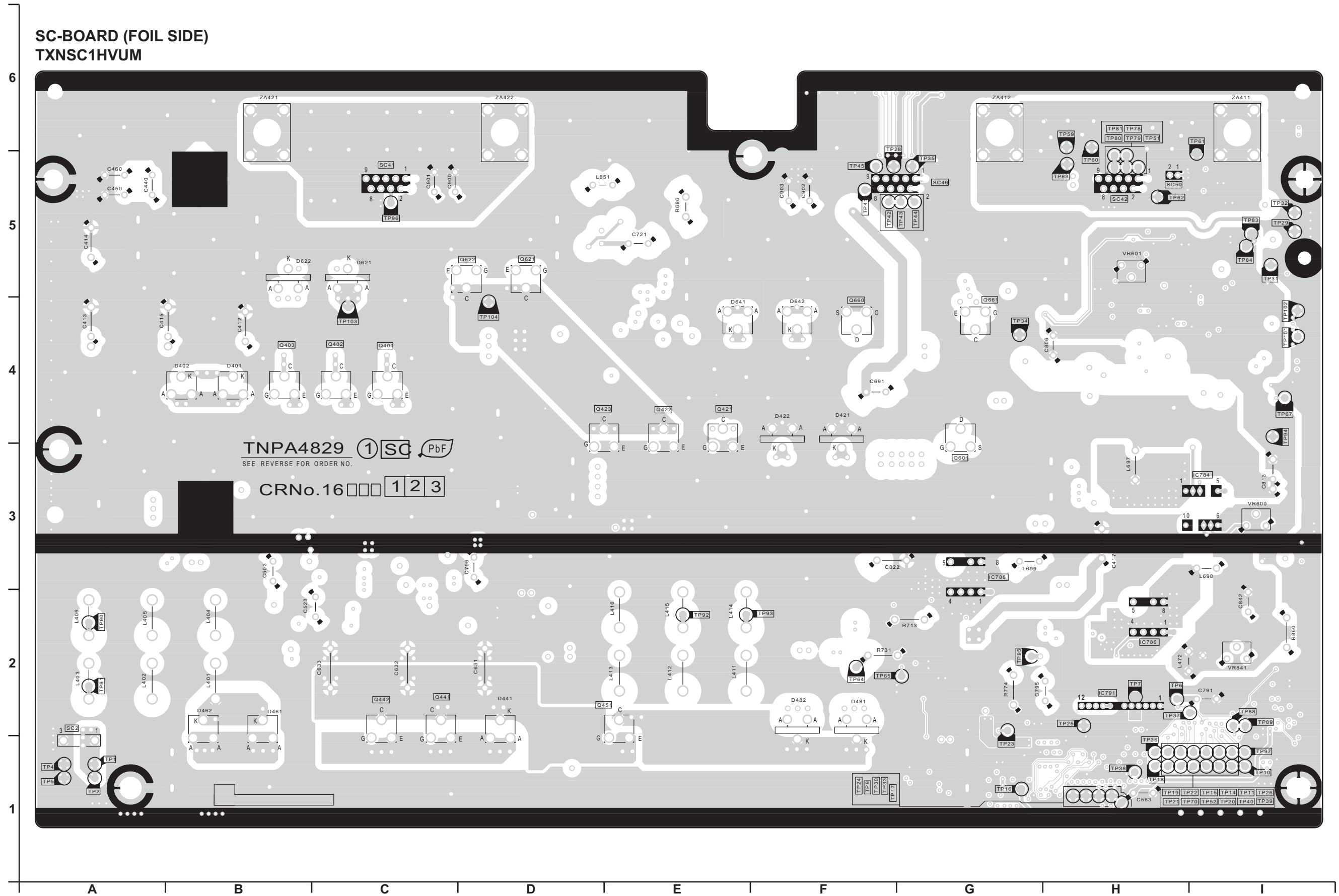
12.5. C2-Board

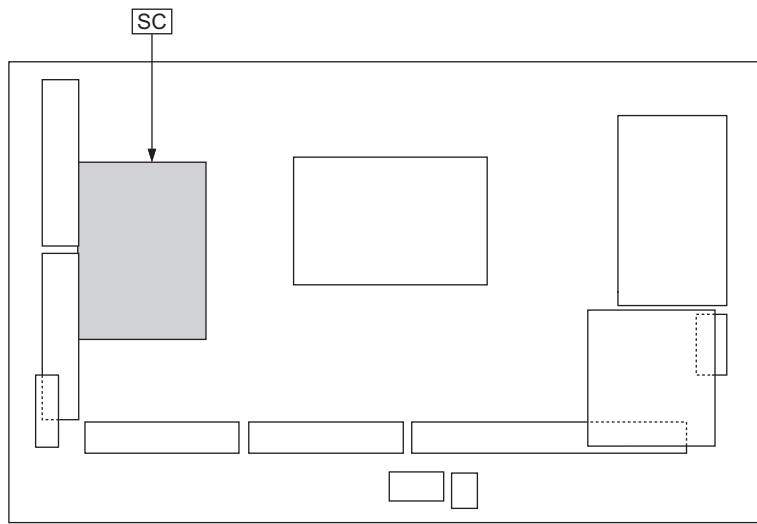


12.6. C3-Board



12.7. SC-Board





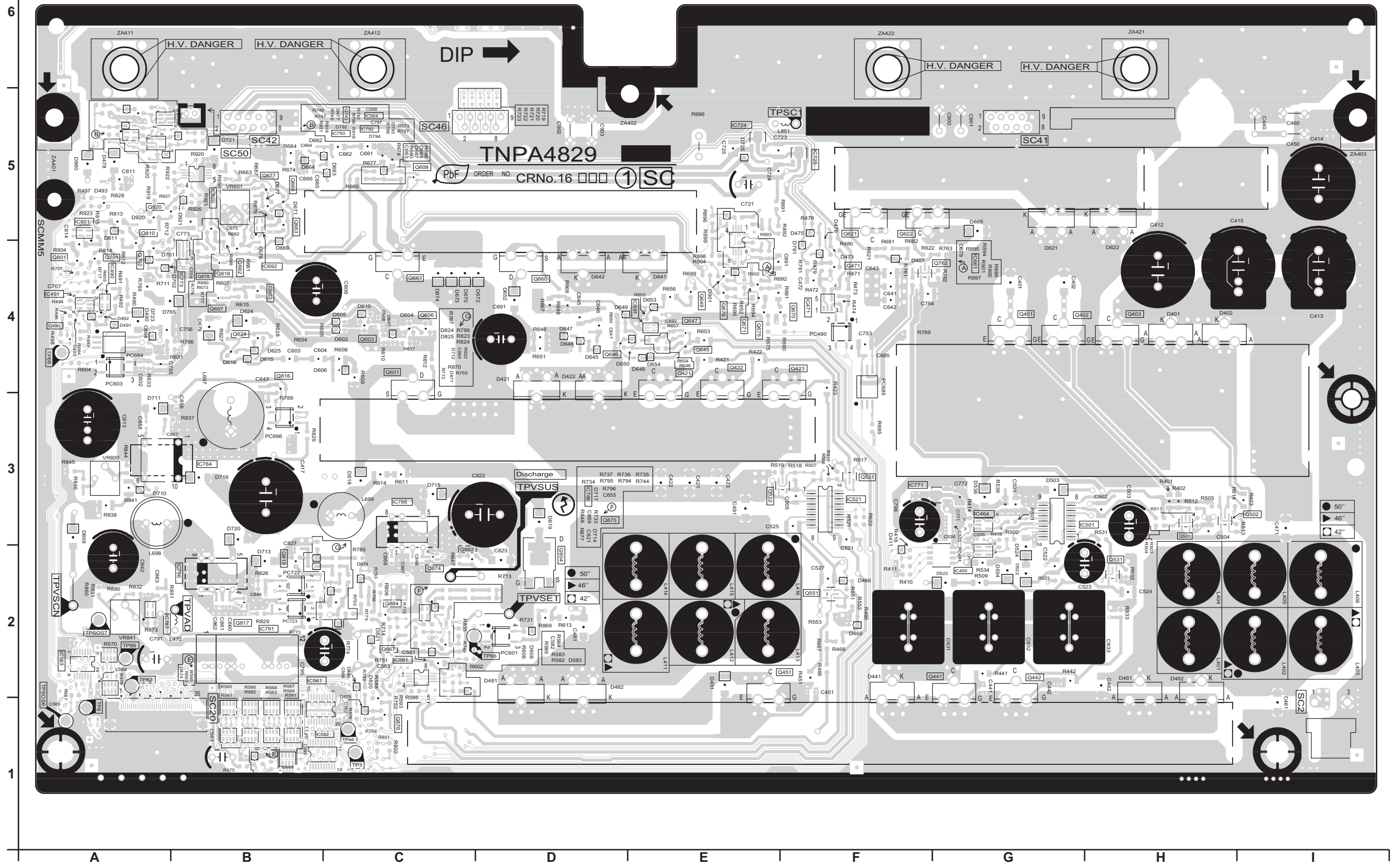
Parts Location

SC-BOARD (FOIL SIDE)					
IC		TEST POINT		TP42	F-5
IC16784	I-3	TP1	A-1	TP43	G-5
IC16786	H-2	TP2	A-1	TP44	G-5
IC16788	G-3	TP4	A-1	TP45	F-5
IC16791	H-2	TP5	A-1	TP51	H-6
TRANSISTOR		TP6	H-2	TP52	I-1
Q16401	C-4	TP7	H-2	TP59	H-6
Q16402	C-4	TP9	F-1	TP60	H-6
Q16403	B-4	TP10	I-1	TP61	I-6
Q16421	E-4	TP11	I-1	TP62	H-5
Q16422	E-4	TP14	I-1	TP63	H-5
Q16423	E-4	TP15	I-1	TP64	F-2
Q16441	C-2	TP16	G-1	TP65	F-2
Q16442	C-2	TP17	F-1	TP67	I-4
Q16451	E-2	TP18	H-1	TP70	H-1
Q16601	G-3	TP19	H-1	TP78	H-6
Q16621	D-5	TP20	I-1	TP79	H-6
Q16622	D-5	TP21	H-1	TP80	H-6
Q16660	F-4	TP22	H-1	TP81	H-6
Q16661	G-4	TP23	G-2	TP83	I-5
VOLUME		TP24	F-1	TP84	I-5
VR16600	I-3	TP25	H-2	TP88	I-2
VR16601	H-5	TP26	I-1	TP89	I-2
VR16841	I-2	TP28	F-6	TP90	A-2
		TP29	I-5	TP91	A-2
		TP30	F-1	TP92	E-2
		TP31	I-5	TP93	F-2
		TP32	I-5	TP94	I-4
		TP33	F-1	TP95	G-2
		TP34	G-4	TP96	C-5
		TP35	G-5	TP97	I-1
		TP36	H-1	TP101	I-4
		TP37	H-2	TP102	I-4
		TP38	H-1	TP103	C-4
		TP39	I-1	TP104	D-4
		TP40	I-1		
		TP41	F-5		

Parts Location

SC-BOARD (COMPONENT SIDE)							
IC		PHOTO COUPLER		Q16622	F-5	TEST POINT	
IC16464	G-3	PC16461	G-2	Q16624	B-4	TP3	C-1
IC16465	G-2	PC16480	F-4	Q16645	E-4	TP8	A-1
IC16471	F-4	PC16601	D-2	Q16646	D-4	TP46	C-1
IC16490	A-4	PC16603	A-4	Q16647	E-4	TP66	D-2
IC16491	A-4	PC16684	A-4	Q16649	E-4	TP68	A-4
IC16501	H-3	PC16685	F-4	Q16661	C-4	TP82	A-2
IC16521	F-3	PC16722	B-2	Q16662	B-4	TP98	A-2
IC16561	B-2	PC16723	B-2	Q16663	B-5	TPSC1	F-5
IC16562	C-1	PC16896	B-3	Q16667	C-2	TPSOS6	A-1
IC16563	A-2	TRANSISTOR		Q16668	B-5	TPSOS7	A-2
IC16564	C-5	Q16401	G-4	Q16670	F-4	TPVAD	B-2
IC16581	C-2	Q16402	G-4	Q16671	E-4	TPVSCN A	-2
IC16661	G-4	Q16403	H-4	Q16675	E-4	TPVSET	D-2
IC16691	E-4	Q16421	E-4	Q16676	E-4	TPVSUS	D-3
IC16692	B-4	Q16422	E-4	Q16677	B-5	VOLUME	
IC16724	E-5	Q16423	F-4	Q16678	B-4	VR16600	A-3
IC16725	F-5	Q16441	G-2	Q16701	A-4	VR16601	B-5
IC16771	F-3	Q16442	G-2	Q16702	A-4	VR16841	A-2
IC16773	B-4	Q16451	F-2	Q16703	A-4		
IC16784	B-3	Q16471	F-4	Q16704	A-4		
IC16786	B-2	Q16490	A-4	Q16705	A-4		
IC16787	A-2	Q16501	H-3	Q16706	A-4		
IC16788	C-3	Q16502	I-3	Q16707	A-4		
IC16789	D-3	Q16521	F-3	Q16708	A-4		
IC16791	B-2	Q16522	E-3	Q16709	A-4		
IC16792	C-5	Q16531	H-2	Q16710	A-4		
IC16793	C-5	Q16551	F-2	Q16711	A-4		
IC16801	A-5	Q16600	D-4	Q16712	A-4		
IC16920	B-5	Q16601	C-4	Q16713	A-4		
		Q16602	B-4	Q16714	A-4		
		Q16603	C-4	Q16715	A-4		
		Q16604	D-2	Q16716	A-4		
		Q16606	C-4	Q16717	A-4		
		Q16607	B-4	Q16718	A-4		
		Q16608	C-5	Q16719	A-4		
		Q16621	F-5	Q16720	A-4		

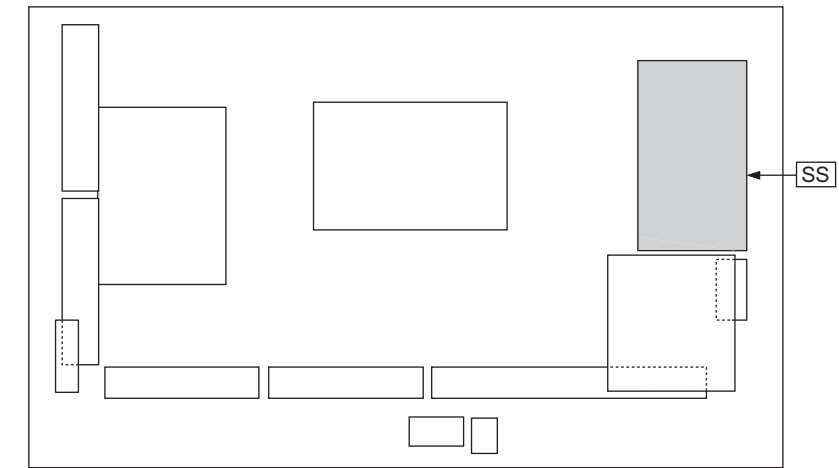
SC-BBOARD (COMPONENT SIDE)
TXNSC1HVUM



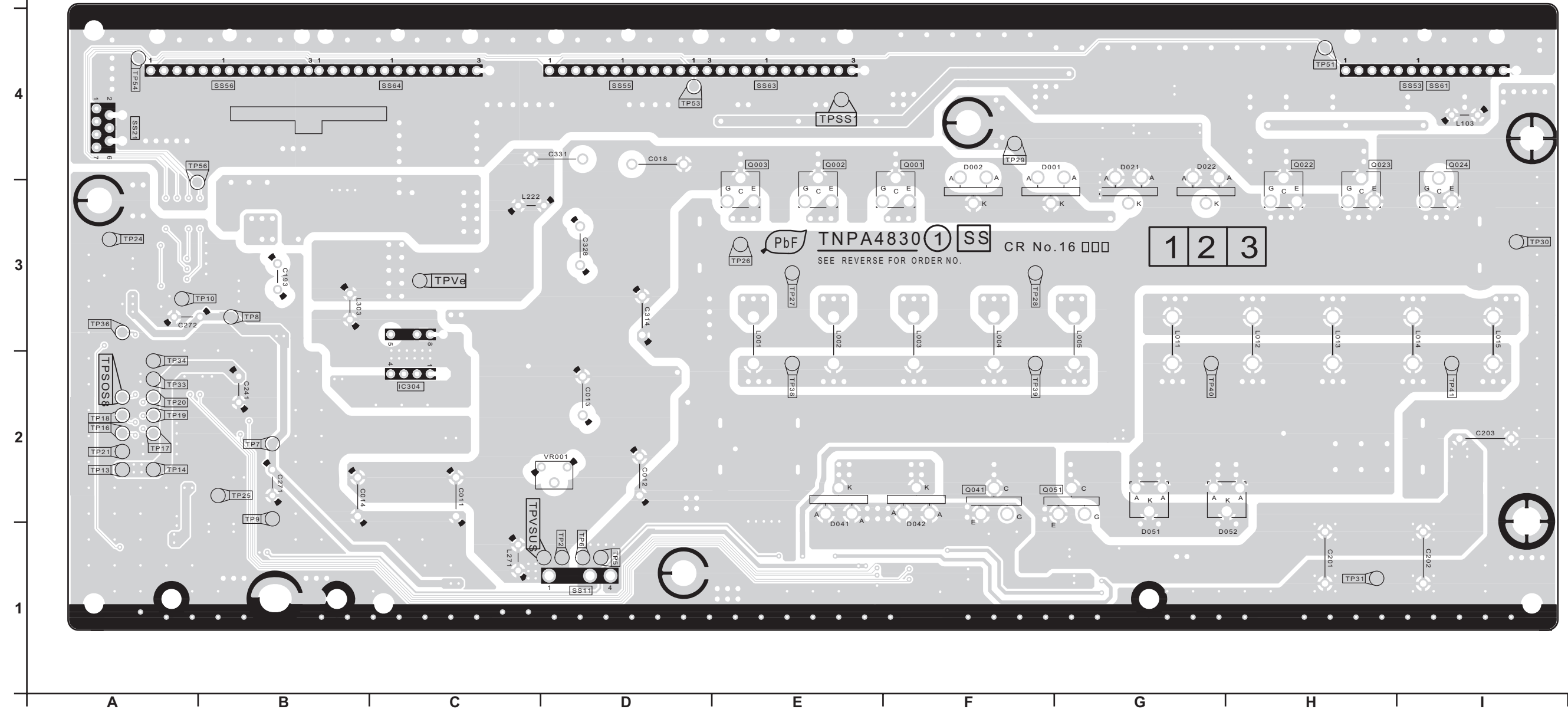
12.8. SS-Board

Parts Location

SS-BOARD (FOIL SIDE)						
IC		TEST POINT				
IC16304	C-2	TP2	D-1	TP25	B-2	TP56
		TP5	D-1	TP26	E-3	TPSOS8
		TP6	D-1	TP27	E-3	TPSS1
TRANSISTOR		TP7	B-2	TP28	F-3	TPVe
Q16001	F-4	TP8	B-3	TP29	F-4	TPVSUS
Q16002	E-4	TP9	B-2	TP30	I-3	
Q16003	E-4	TP10	A-3	TP31	H-1	
Q16022	H-4	TP13	A-2	TP33	A-2	VOLUME
Q16023	H-4	TP14	A-2	TP34	A-2	VR16001
Q16024	I-4	TP16	A-2	TP36	A-3	
Q16041	F-2	TP17	A-2	TP38	E-2	
Q16051	G-1	TP18	A-2	TP39	F-2	
		TP19	A-2	TP40	G-2	
		TP20	A-2	TP41	I-2	
		TP21	A-2	TP51	H-4	
		TP24	A-3	TP53	D-4	
				TP54	A-4	

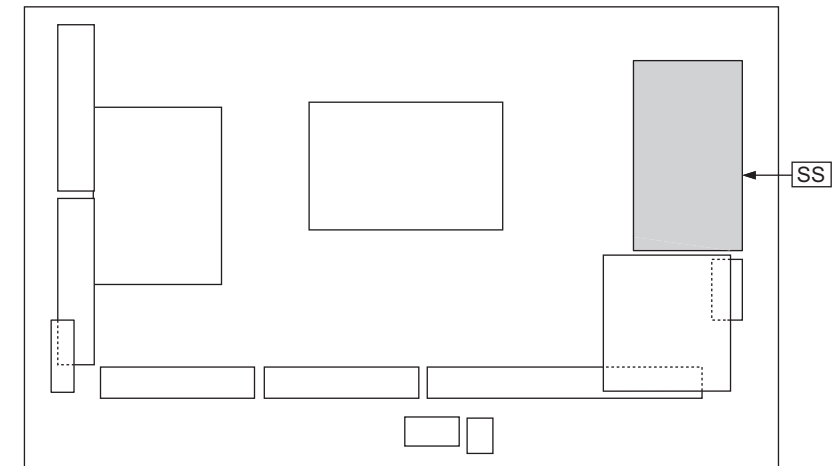


SS-BOARD (FOIL SIDE) TXNSS1HVUM

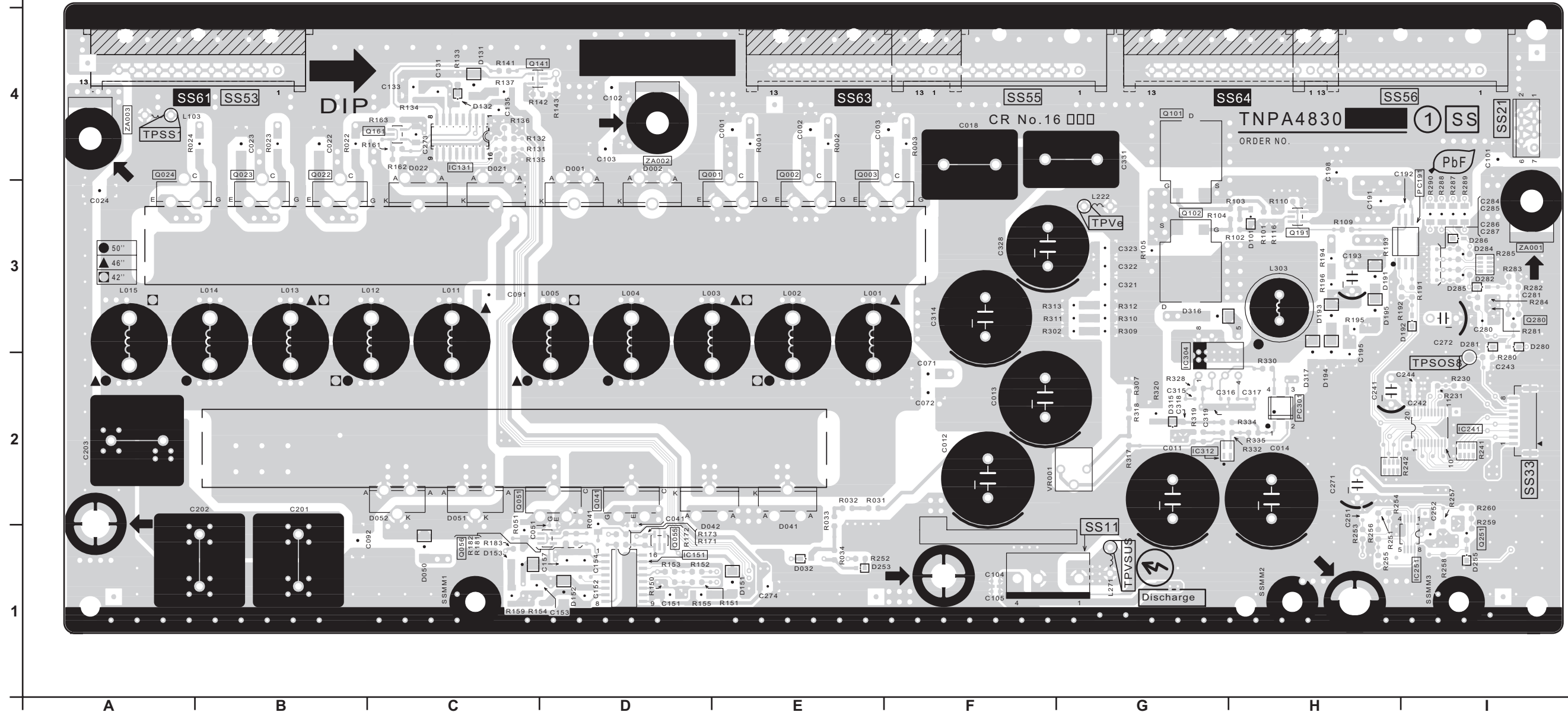


Parts Location

SS-BOARD (COMPONENT SIDE)						
IC		TRANSISTOR		TEST POINT		
IC16131	C-4	Q16001	D-4	Q16101	G-4	TPSOS8 I-2
IC16151	D-1	Q16002	E-4	Q16102	G-3	TPSS1 A-4
IC16241	I-2	Q16003	E-4	Q16141	C-4	TPVe G-3
IC16251	I-1	Q16022	B-4	Q16191	H-3	TPVSUS G-1
IC16304	G-2	Q16023	B-4	Q16251	I-1	
IC16312	G-2	Q16024	A-4	Q16280	I-3	
PHOTO COUPLER		Q16041	D-2			
PC16191	I-3	Q16051	C-2	VOLUME		
PC16301	H-2	Q16055	D-1	VR16001	G-2	
		Q16056	C-1			



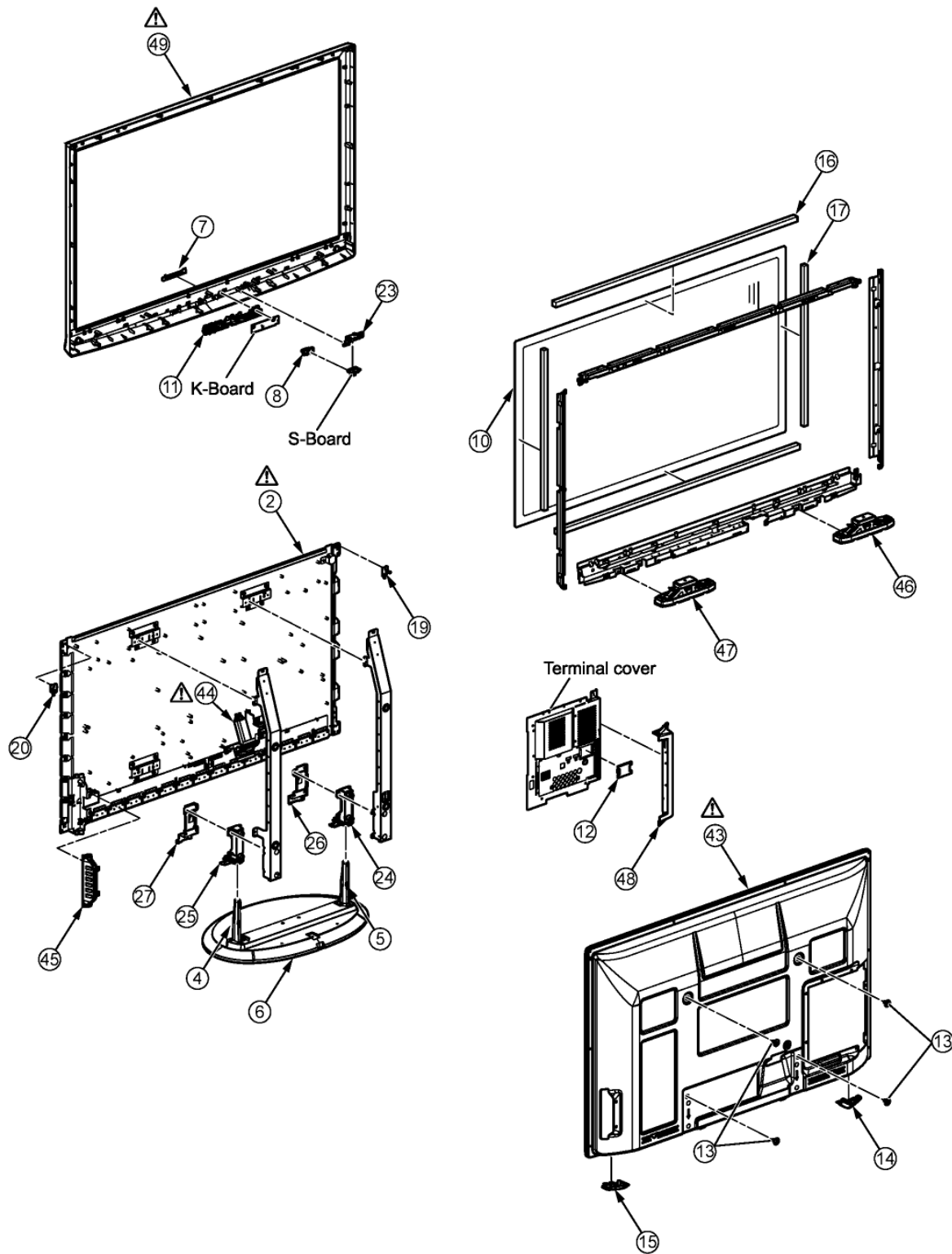
SS-BOARD (COMPONENT SIDE)
TXNSS1HVUM



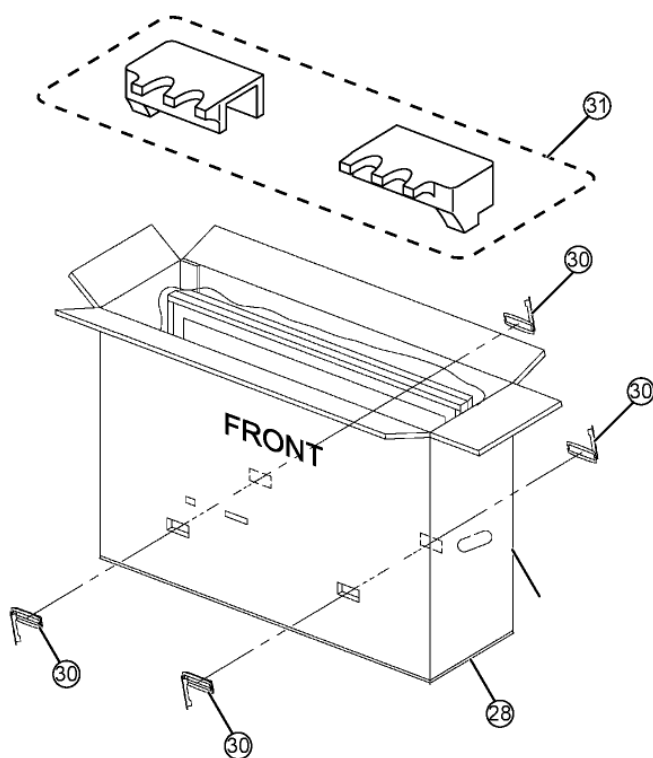
13 Exploded View and Replacement Parts List

13.1. Exploded View and Mechanical Replacement Parts List

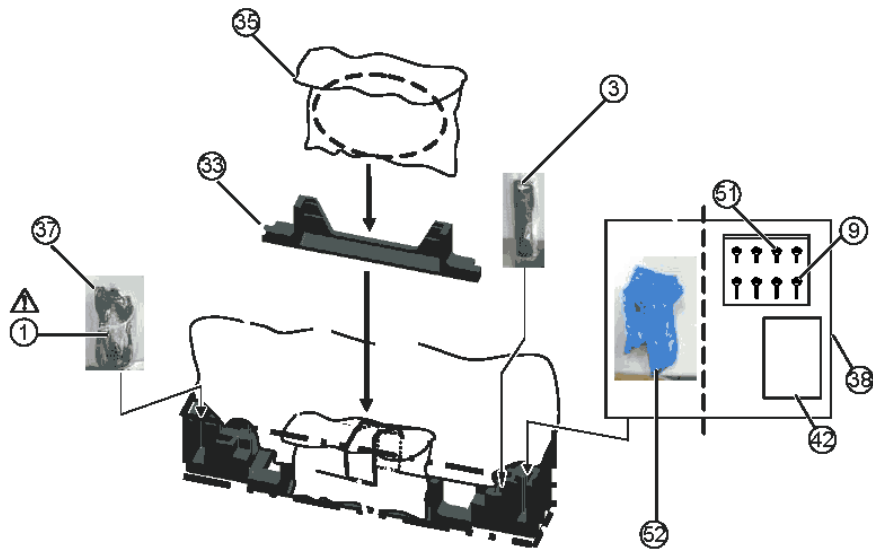
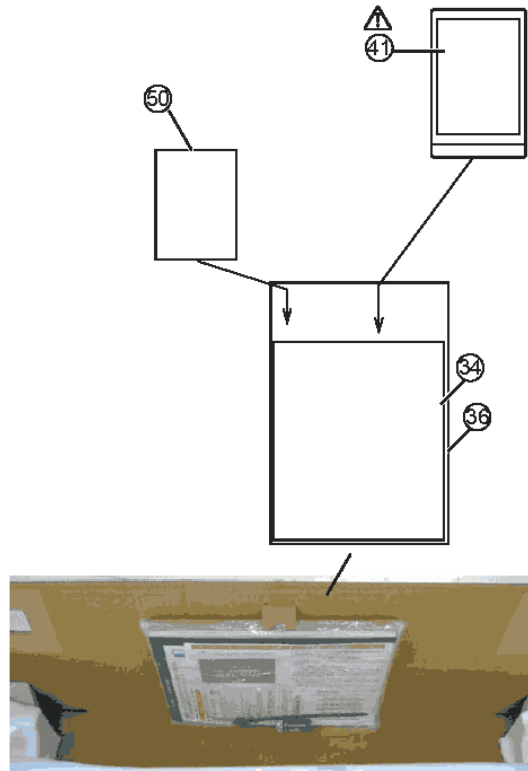
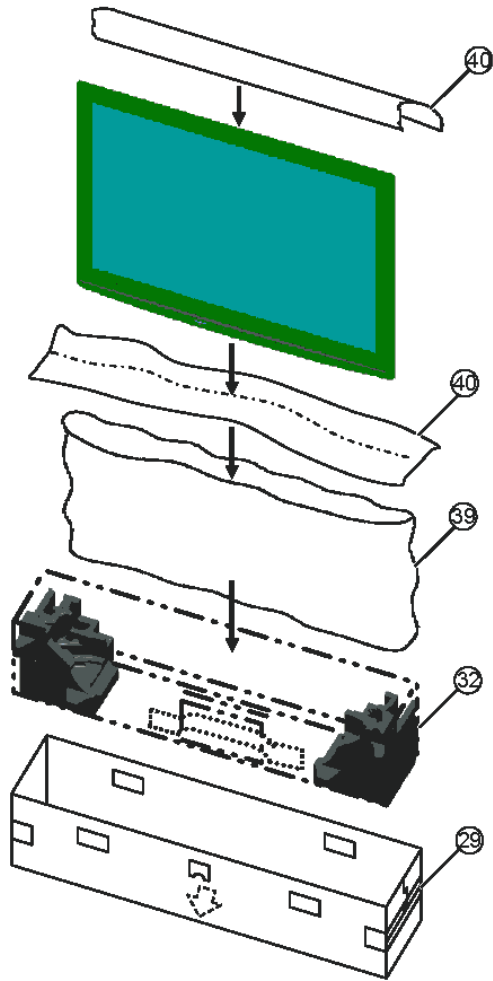
13.1.1. Exploded View



13.1.2. Packing 1







13.1.3. Packing 2



13.1.4. Mechanical Replacement Parts List

Note: All parts except parts mentioned [PAVCSG] in the Remarks column are supplied by AVC-CSPC.
Parts mentioned [PAVCSG] are supplied by PAVCSG.

Safety	Ref. No.	Part No.	Part Name & Description	Q'ty	Remarks
	1	K2CT3YY00016	AC CORD	1	PAVCSG M/S
	1	K2CZ3YY00004	AC CORD	1	T
	1	K2CZ3YY000007	AC CORD	1	PAVCSG D
	2	MD50F12A1J	PLASMA DISPLAY PANEL	1	
	3	N2QAYB000370	REMOTE CONTROL	1	PAVCSG
	4	TBL3EA3007	STAND POLE R	1	PAVCSG
	5	TBL3EA3008	STAND POLE L	1	PAVCSG
	6	TBL3EX0006	PEDESTAL STAND	1	PAVCSG
	7	TBM3EA001	PANASONIC BADGE	1	PAVCSG
	8	TBX3EA00101	POWER BUTTON	1	PAVCSG
		THEC128N	SLIM SCREW(M4X6)	2	
		THEJ016J	SCREW(AC INRET:2)	2	
		THEL0429	SCREW	11	
		THEL052Z	SCREW (BC TOP:4)	2	
	9	THEL060N	SCREW (STAND-TV)	4	
		THTD020J	SCREW(A-PRINT:4)	4	
		THTF011N	SCREW	79	
		THTF013J	SCREW	2	
	10	TKGA5579	FRONT GLASS	1	PAVCSG
	11	TKK3EC5001	LED PANEL	1	PAVCSG
	12	TKK3EL5001-1	ADJUSTMENT COVER	1	PAVCSG
	13	TKKL5472	M8 CAP	4	
	14	TKR3EA00101	REAR COVER HANDLE (L)	1	PAVCSG
	15	TKR3EA00201	REAR COVER HANDLE (R)	1	PAVCSG
	16	TMK3EG005	SPONGE(UPPER/BOTTOM)	2	PAVCSG
	17	TMK3EG006	SPONGE(LEFT/RIGHT)	2	PAVCSG
		TMM23417	CLAMPER	2	
	19	TMMD014-1	REAR COVER HOOK L	1	
	20	TMMD015-1	REAR COVER HOOK R	1	
		TMME061	CLAMPER	2	
		TMME224	CLAMPER	5	
		TMME287	CLAMPER	3	
		TMME292	CLAMPER	2	
		TMME331	CLAMPER	2	
		TMME332	CLAMPER(HANGER:3)	3	
		TMME332	CLAMPER(SS:1 C1)	2	
		TMME332	CLAMPER	2	
		TMME345	SPACER	1	
	23	TMW3EC001	POWER BUTTON BRACKET	1	PAVCSG
		TMXX048	AC CORD CLAMPER	2	T
		TMXX055	AC CORD CLAMPER	2	D/M/S
		TMXX062	AC CODE HOLDER	1	
	24	TMZ3EX5001	STAND BRACKET-L	1	PAVCSG

Safety	Ref. No.	Part No.	Part Name & Description	Q'ty	Remarks
	25	TMZ3EX5002	STAND BRACKET-R	1	PAVCSG
	26	TMZ3EX5003	STAND BRACKET METAL-L	1	PAVCSG
	27	TMZ3EX5004	STAND BRACKET METAL-R	1	PAVCSG
	28	TPC3EA00302	CARTON BOX TOP	1	PAVCSG S
	28	TPC3EA00310	CARTON BOX TOP	1	PAVCSG M
	28	TPC3EA00314	CARTON BOX TOP	1	PAVCSG T
	28	TPC3EA00315	CARTON BOX TOP	1	PAVCSG D
	29	TPC3EA00401	CARTON BOX BOTTOM	1	PAVCSG
	30	TPD169487	JOINT	4	
	31	TPD3EA0006	TOP CUSHION	1	PAVCSG
	32	TPD3EA0007	BOTTOM CUSHION	1	PAVCSG
	33	TPD3EA0008	PEDESTAL CUSHION	1	PAVCSG
	34	TPDF2178	ACCESSORY PAD	1	PAVCSG
	35	TPE3EB001	BAG (PEDESTAL STAND)	1	PAVCSG
	36	TPE3EP001	ACCESSORIES BAG	1	PAVCSG
	37	TPE3EP002	BAG FOR AC CORD	1	PAVCSG
	38	TPEB342-1	BAG (STAND ACCESSORY)	1	PAVCSG
	39	TPEH419	SET BAG	1	PAVCSG
	40	TPEH420	PROTECT SHEET	2	PAVCSG
	41	TQBC2424	INSTRUCTION BOOK(ENGLISH)	1	PAVCSG
	41	TQBC2425	INSTRUCTION BOOK (ARABIC)	1	PAVCSG M
	41	TQBC2427	INSTRUCTION BOOK (THAI)	1	PAVCSG T
	41	TQBC2428	INSTRUCTION BOOK (VIETNAMESE)	1	PAVCSG S
	41	TQBC2429	INSTRUCTION BOOK (CHINESE)	1	PAVCSG S
	42	TQZ3EH001	SCREW USE HANDBILL	1	PAVCSG
		TSXL519	CABLE (SU11-SD11/C26-C36)	2	
		TSXL724	CABLE (C10-C20)	1	
		TSXL785	CABLE (A20-SC20)	1	PAVCSG
		TSXL819	CABLE (C11-A31)	1	
		TSXL822	CABLE (C21-A32)	1	
	43	TTU3EA0005	REAR COVER	1	PAVCSG S
	43	TTU3EA0047	REAR COVER	1	PAVCSG T
	43	TTU3EA0048	REAR COVER	1	PAVCSG D
	43	TTU3EA0049	REAR COVER	1	PAVCSG M
	44	TXAJS01DXUW	AC INLET ASSY	1	PAVCSG
	45	TXFBX03EQUM	CONTROL BUTTON ASSY	1	PAVCSG
	46	TXFEA01EFUM	SPEAKER L ASSY	1	PAVCSG
	47	TXFEA02EFUM	SPEAKER R ASSY	1	PAVCSG
	48	TXFKP01EQUM	SIDE TERMINAL COVER ASSY	1	PAVCSG
	49	TXFKY01HVUM	CABINET ASSY	1	PAVCSG
	50	TXFPE01RLTU	CLEANING CLOTH ASSY	1	
		TXJA11EEUE	SPEAKER LEAD (A11-TERMINAL SP+/SP-)	1	
		TXJA12ERUE	SPEAKER LEAD (A12-SPL)	1	

Safety	Ref. No.	Part No.	Part Name & Description	Q'ty	Remarks
		XSB3+6FJ	SCREW	3	
		XTB4+10JFJ	SCREW (STAND BRACKET)	8	
		XTB4+12GFJ	SCREW	21	
		XTB4+12GFJK	SCREW	11	
		XTB4+12GFN	SCREW	4	
		XTV3+10JFJK	SCREW	2	
		XTW3+10TFJ	SCREW	1	
		XTWT4+Z15DFJ	SCREW (SP BOX)	4	
		XYN3+J12FJ	SCREW	32	
		XYN4+E8FJ	SCREW	1	
		XYN4+F10FJ	SCREW	20	
	51	XYN5+F18FN	SCREW (STAND POLE)	4	
	52	XZB17X19C03	POLY BAG (STAND POLE)	1	

13.2. Electrical Replacement Parts List

13.2.1. Replacement Parts List Notes

RTL (Retention Time Limited)

Note: The marking (RTL) indicates that the Retention Time is Limited for this item.

After the discontinuation of this assembly in production, the item will continue to be available for a specific period of time. The retention period of availability is dependant on the type of assembly, and in accordance with the laws governing part and product retention. After the end of this period, the assembly will no longer be available.

Abbreviation of part name and description

1. Resistor

Example:

ERD25TJ104 C 100KOHM, J, 1/4W
 Type Allowance

2. Capacitor

Example:

ECKF1H103ZF C 0.01UF, Z, 50V
 Type Allowance

Type	Allowance
C : Carbon	F : ±1%
F : Fuse	G : ±2%
M : Metal Oxide Metal Film	J : ±5%
S : Solid	K : ±10%
W : Wire Wound	M : ±20%

Type	Allowance
C : Ceramic	C : ±0.25pF
E : Electrolytic	D : ±0.5pF
P : Polyester	F : ±1pF
Polyprop	G : ±3pF
lene	J : ±5pF
T : Tantalum	K : ±10pF
	L : ±15pF
	M : ±20pF
	P : +100%, -0%
	Z : +80%, -20%

Safety	Ref. No.	Part No.	Part Name & Description	Pcs	Remarks
	C2359	FIG1H102A730	C 1000UF, 50V	1	
	C2361	F2G1E4710007	E 470UF, 25V	1	
	C2375	FIG1H223A970	C 0.22UF, K, 50V	1	
	C2377	FIG1H223A970	C 0.22UF, K, 50V	1	
	C2379	FIG1H223A970	C 0.22UF, K, 50V	1	
	C2381	FIG1H223A970	C 0.22UF, K, 50V	1	
	C2383	FIG1H102A730	C 1000UF, 50V	1	
	C2385	FIG1H102A730	C 1000UF, 50V	1	
	C2387	FIG1H102A730	C 1000UF, 50V	1	
	C2389	FIG1H102A730	C 1000UF, 50V	1	
	C2390	FIG1E105A171	C 1 UF 25V	1	
	C2407	FIG1E106A136	C 10UF, Z, 25V	1	
	C2408	FIG1E105A171	C 1 UF 25V	1	
	C2409	FIG1H102A730	C 1000UF, 50V	1	
	C2410	FIG1E105A171	C 1 UF 25V	1	
	C2411	FIG1E105A171	C 1 UF 25V	1	
	C2412	FIG1E105A171	C 1 UF 25V	1	
	C2511	FIG1C104A143	C 0.1UF, K, 16V	1	
	C2512	FIG1A106A043	C 0.010UF, K, 10V	1	
	C2515	FIG1H103A970	C 0.001UF, K, 50V	1	
	C2521	FIG1H103A970	C 0.001UF, K, 50V	1	
	C2871	FIG1E106A136	C 10UF, Z, 25V	1	
	C2872	FIG1E103A123	C 0.010UF, K, 25V	1	
	C2873	FIG1E104A129	C 0.1UF, 25V	1	
	C2874	F2G1A101A019	E 100UF, 10V	1	
	C2875	FIG1H223A970	C 0.22UF, K, 50V	1	
	C2878	FIG1H472A970	C 4700PF, K, 50V	1	
	C2906	FIG1C104A143	C 0.1UF, K, 16V	1	
	C2907	FIG1C104A143	C 0.1UF, K, 16V	1	
	C2912	F2G0J101A019	E 100UF 6.3V	1	
	C2914	FIG1H104A970	C 0.1UF, K, 50V	1	
	C2916	FIG1C104A143	C 0.1UF, K, 16V	1	
	C2919	FIG1C104A143	C 0.1UF, K, 16V	1	
	C2920	FIG1H103A970	C 0.001UF, K, 50V	1	
	C2922	FIG1C104A143	C 0.1UF, K, 16V	1	
	C2940	FIG1H104A970	C 0.1UF, K, 50V	1	
	C2960	FIG0J1050012	C 1UF, K, 16V	1	
	C2961	FIG1H471A731	C 470UF, 50V	1	
	C2962	FIG0J1050012	C 1UF, K, 16V	1	
	C3002	FIG1H561A730	C 56UF, 50V	1	
	C3003	FIG1H561A730	C 56UF, 50V	1	
	C3007	FIG1H561A730	C 56UF, 50V	1	
	C3008	FIG1H561A730	C 56UF, 50V	1	
	C3010	FIG1H561A730	C 56UF, 50V	1	
	C3011	FIG1H561A730	C 56UF, 50V	1	
	C3013	FIG1H561A730	C 56UF, 50V	1	
	C3014	FIG1H561A730	C 56UF, 50V	1	
	C3022	FIG1A1050032	C 10UF, 50V	1	
	C3024	FIG1A1050032	C 10UF, 50V	1	
	C3039	FIG1A1050032	C 10UF, 50V	1	
	C3041	FIG1A1050032	C 10UF, 50V	1	
	C3043	FIG1A1050032	C 10UF, 50V	1	
	C3044	FIG1A1050032	C 10UF, 50V	1	
	C3046	FIG1A1050032	C 10UF, 50V	1	
	C3047	FIG1A1050032	C 10UF, 50V	1	
	C3048	FIG1A1050032	C 10UF, 50V	1	
	C3049	FIG1A1050032	C 10UF, 50V	1	
	C3070	FIG1A106A043	C 0.010UF, K, 10V	1	
	C3071	FIG1A106A043	C 0.010UF, K, 10V	1	
	C3072	FIG1C104A116	C 0.10UF, K, 16V	1	
	C3073	FIG1A106A043	C 0.010UF, K, 10V	1	
	C3078	FIG1A106A043	C 0.010UF, K, 10V	1	
	C3083	FIG1A106A043	C 0.010UF, K, 10V	1	
	C3090	FIG1A106A043	C 0.010UF, K, 10V	1	

Safety	Ref. No.	Part No.	Part Name & Description	Pcs	Remarks
	C3091	FIG1A106A043	C 0.010UF, K, 10V	1	
	C3092	FIG1A106A043	C 0.010UF, K, 10V	1	
	C3095	F2G1A101A019	E 100UF, 10V	1	
	C3098	FIG1A1050032	C 10UF, 50V	1	
	C3099	FIG1H561A730	C 56UF, 50V	1	
	C3103	F2G1A101A019	E 100UF, 10V	1	
	C3107	FIG1A106A043	C 0.010UF, K, 10V	1	
	C3108	FIG1A106A043	C 0.010UF, K, 10V	1	
	C3109	FIG1A106A043	C 0.010UF, K, 10V	1	
	C3114	FIG1A106A043	C 0.010UF, K, 10V	1	
	C3115	FIG1A106A043	C 0.010UF, K, 10V	1	
	C3116	FIG1A106A043	C 0.010UF, K, 10V	1	
	C3117	FIG1A106A043	C 0.010UF, K, 10V	1	
	C3118	FIG1A1050032	C 10UF, 50V	1	
	C3119	FIG1A1050032	C 10UF, 50V	1	
	C3139	FIG1C104A116	C 0.10UF, K, 16V	1	
	C3140	FIG1C104A116	C 0.10UF, K, 16V	1	
	C3141	FIG1C104A116	C 0.10UF, K, 16V	1	
	C3143	FIG1C104A116	C 0.10UF, K, 16V	1	
	C3144	FIG1A106A043	C 0.010UF, K, 10V	1	
	C3145	FIG1C104A116	C 0.10UF, K, 16V	1	
	C3146	FIG1A106A043	C 0.010UF, K, 10V	1	
	C3147	FIG1A106A043	C 0.010UF, K, 10V	1	
	C3257	FIG1H561A730	C 56UF, 50V	1	
	C3752	FIG1H102A836	C 1000UF, 50V	1	
	C4500	FIG1C104A116	C 0.10UF, K, 16V	1	
	C4501	FIG1C104A116	C 0.10UF, K, 16V	1	
	C4502	FIG1C104A116	C 0.10UF, K, 16V	1	
	C4503	FIG1C104A116	C 0.10UF, K, 16V	1	
	C4533	FIG1H680A731	C 68UF, 50V	1	
	C4534	FIG1C104A116	C 0.10UF, K, 16V	1	
	C4535	FIG1C104A116	C 0.10UF, K, 16V	1	
	C4547	FIG1C104A116	C 0.10UF, K, 16V	1	
	C4548	FIG1C104A116	C 0.10UF, K, 16V	1	
	C4549	FIG1C104A116	C 0.10UF, K, 16V	1	
	C4550	FIG1C104A116	C 0.10UF, K, 16V	1	
	C4551	FIG1C104A116	C 0.10UF, K, 16V	1	
	C4552	FIG1C104A116	C 0.10UF, K, 16V	1	
	C4553	FIG1H102A730	C 1000UF, 50V	1	
	C4554	F2G1C470A022	E 47UF, 16V	1	
	C4555	FIG1A106A043	C 0.010UF, K, 10V	1	
	C4574	FIG1C104A116	C 0.10UF, K, 16V	1	
	C4575	FIG1C104A116	C 0.10UF, K, 16V	1	
	C4580	FIG1C104A116	C 0.10UF, K, 16V	1	
	C4585	FIG1C104A116	C 0.10UF, K, 16V	1	
	C4595	FIG1C104A116	C 0.10UF, K, 16V	1	
	C4596	FIG1A105A047	C 1UF, K, 10V	1	
	C4598	FIG1A106A043	C 0.010UF, K, 10V	1	
	C4599	FIG1A106A043	C 0.010UF, K, 10V	1	
	C4600	FIG1C104A116	C 0.10UF, K, 16V	1	
	C4601	FIG1A106A043	C 0.010UF, K, 10V	1	
	C4602	FIG1C104A116	C 0.10UF, K, 16V	1	
	C4603	FIG1A475A039	C 4.7UF, K, 10V	1	
	C4605	FIG1A475A039	C 4.7UF, K, 10V	1	
	C4606	FIG1A475A039	C 4.7UF, K, 10V	1	
	C4607	FIG1A475A039	C 4.7UF, K, 10V	1	
	C4608	FIG1C104A116	C 0.10UF, K, 16V	1	
	C4613	FIG0J1050012	C 1UF, K, 16V	1	
	C4614	FIG1A105A047	C 1UF, K, 10V	1	
	C4616	FIG1A475A039	C 4.7UF, K, 10V	1	

Safety	Ref. No.	Part No.	Part Name & Description	Pcs	Remarks
	C4617	F1J1A475A039	C 4.7UF, K, 10V	1	
	C4619	F1G1A105A047	C 1UF, K, 10V	1	
	C4624	F1G1C104A116	C 0.10UF, K, 16V	1	
	C4625	F1G1C104A116	C 0.10UF, K, 16V	1	
	C4626	F1G1C104A116	C 0.10UF, K, 16V	1	
	C4628	F1G1C104A116	C 0.10UF, K, 16V	1	
	C4629	F1G1C104A116	C 0.10UF, K, 16V	1	
	C4630	F1G1C104A116	C 0.10UF, K, 16V	1	
	C4631	F1J1A106A043	C 0.010UF, K, 10V	1	
	C4632	F1G1C104A116	C 0.10UF, K, 16V	1	
	C4633	F1J1A106A043	C 0.010UF, K, 10V	1	
	C4634	F1G1C104A116	C 0.10UF, K, 16V	1	
	C4635	F1J1A106A043	C 0.010UF, K, 10V	1	
	C4636	F1G1C104A116	C 0.10UF, K, 16V	1	
	C4637	F1G1C104A116	C 0.10UF, K, 16V	1	
	C4638	F1G1C104A116	C 0.10UF, K, 16V	1	
	C4640	F1G1C104A116	C 0.10UF, K, 16V	1	
	C4642	F1G1C104A116	C 0.10UF, K, 16V	1	
	C4643	F1G1C104A116	C 0.10UF, K, 16V	1	
	C4644	F1G1C104A116	C 0.10UF, K, 16V	1	
	C4645	F1G1C104A116	C 0.10UF, K, 16V	1	
	C4702	F1G1C104A116	C 0.10UF, K, 16V	1	
	C4703	F1G1C104A116	C 0.10UF, K, 16V	1	
	C5470	F1G1C103A116	C 0.010UF, K, 16V	1	
	C5471	F1G1A473A053	C 0.47UF, 10V	1	
	C5473	F1G1E103A123	C 0.010UF, K, 25V	1	
	C5482	F2G1A221A149	E 220UF, 10V	1	
	C5483	F1J1A106A043	C 0.010UF, K, 10V	1	
	C5484	F2G0J470A019	E 47UF 6.3V	1	
	C5485	F1G1C104A116	C 0.10UF, K, 16V	1	
	C5486	F1G1E392A123	C 3900UF, Z, 25V	1	
	C5487	F1H0J1050012	C 1UF, K, 16V	1	
	C5488	F1H0J1050012	C 1UF, K, 16V	1	
	C5490	F1J1H474A757	C 0.47UF, 50V	1	
	C5491	F1J1H474A757	C 0.47UF, 50V	1	
	C5494	F1G1H820A731	C 82UF, 50V	1	
	C5495	F2G1V220A020	E 22UF, 35V	1	
	C5496	F1G1H102A730	C 1000UF, 50V	1	
	C5520	F2G1C100A022	C 10UF J 16V	1	
	C5600	F1G1C104A116	C 0.10UF, K, 16V	1	
	C5601	F1G1H272A571	C 2700UF, 50V	1	
	C5602	F2H0J1010009	C 100UF, 6.3V	1	
	C5603	F1H1C105A145	C 0.01UF, K, 16V	1	
	C5604	F1G1E103A123	C 0.010UF, K, 25V	1	
	C5605	F1J1A475A039	C 4.7UF, K, 10V	1	
	C5606	F1G1E6820007	C 6800UF, Z, 25V	1	
	C5607	F1G1H152A571	C 1500UF, 50V	1	
	C5608	F1G1C104A116	C 0.10UF, K, 16V	1	
	C5611	F1K1E106A136	C 10UF, Z, 25V	1	
	C5612	F1K1E106A136	C 10UF, Z, 25V	1	
	C5615	F1K1E106A136	C 10UF, Z, 25V	1	
	C5616	F1G1E103A123	C 0.010UF, K, 25V	1	
	C5620	F1H1E104A129	C 0.1UF, 25V	1	
	C5621	F1H1C105A145	C 0.01UF, K, 16V	1	
	C5622	F1J1A475A039	C 4.7UF, K, 10V	1	
	C5623	F1G1H272A571	C 2700UF, 50V	1	
	C5624	F1G1H3320004	C 3300UF, 50V	1	
	C5625	F1G1C273A081	C 0.027UF, K, 16V	1	
	C5626	F1G1C104A116	C 0.10UF, K, 16V	1	
	C5627	F1G1C104A116	C 0.10UF, K, 16V	1	
	C5628	ECCGRLOE680ER	C 68UF, J, 2.5V	1	
	C5629	ECCGRLOE680ER	C 68UF, J, 2.5V	1	
	C5636	F1G1C104A116	C 0.10UF, K, 16V	1	
	C5637	F1G1C104A116	C 0.10UF, K, 16V	1	
	C5638	F1G1C104A116	C 0.10UF, K, 16V	1	
	C5639	F1G1C104A116	C 0.10UF, K, 16V	1	

Safety	Ref. No.	Part No.	Part Name & Description	Pcs	Remarks
	C5640	F1G1C104A116	C 0.10UF, K, 16V	1	
	C5641	F1G1C104A116	C 0.10UF, K, 16V	1	
	C5642	F1K1E106A136	C 10UF, Z, 25V	1	
	C5643	F1H1E104A129	C 0.1UF, 25V	1	
	C5645	F1K1E106A136	C 10UF, Z, 25V	1	
	C5646	F1K1E106A136	C 10UF, Z, 25V	1	
	C5648	F2H0J1010009	C 100UF, 6.3V	1	
	C5649	F1G1C104A116	C 0.10UF, K, 16V	1	
	C5657	F1H1A225A051	C 22UF, 50V	1	
	C5658	F1G1E103A123	C 0.010UF, K, 25V	1	
	C5696	F2G1E470A021	C 47PF, J, 25V	1	
	C5697	F1J1E105A171	C 1 UF 25V	1	
	C5699	F1K1E106A136	C 10UF, Z, 25V	1	
	C5700	F1K1E106A136	C 10UF, Z, 25V	1	
	C5722	F1J1E105A171	C 1 UF 25V	1	
	C5723	F1H1C105A145	C 0.01UF, K, 16V	1	
	C5727	F1G1C104A116	C 0.10UF, K, 16V	1	
	C5728	F1G1C104A116	C 0.10UF, K, 16V	1	
	C8003	F1H0J1050012	C 1UF, K, 16V	1	
	C8005	F1H0J1050012	C 1UF, K, 16V	1	
	C8006	F1G1C104A116	C 0.10UF, K, 16V	1	
	C8007	F1G1C104A116	C 0.10UF, K, 16V	1	
	C8008	F1G1C104A116	C 0.10UF, K, 16V	1	
	C8009	F1J1A106A043	C 0.010UF, K, 10V	1	
	C8010	F1J1A106A043	C 0.010UF, K, 10V	1	
	C8011	F1G1C104A116	C 0.10UF, K, 16V	1	
	C8012	F1G1C104A116	C 0.10UF, K, 16V	1	
	C8013	F1G1C104A116	C 0.10UF, K, 16V	1	
	C8014	F1G1C104A116	C 0.10UF, K, 16V	1	
	C8015	F1H0J1050012	C 1UF, K, 16V	1	
	C8016	F1H0J1050012	C 1UF, K, 16V	1	
	C8017	F1J1A106A043	C 0.010UF, K, 10V	1	
	C8018	F1G1C104A116	C 0.10UF, K, 16V	1	
	C8019	F1G1C104A116	C 0.10UF, K, 16V	1	
	C8020	F1G1C104A116	C 0.10UF, K, 16V	1	
	C8021	F1G1C104A116	C 0.10UF, K, 16V	1	
	C8022	F1H0J1050012	C 1UF, K, 16V	1	
	C8023	F1J1A106A043	C 0.010UF, K, 10V	1	
	C8024	F1J1A106A043	C 0.010UF, K, 10V	1	
	C8025	F1G1C104A116	C 0.10UF, K, 16V	1	
	C8026	F1G1C104A116	C 0.10UF, K, 16V	1	
	C8027	F1G1C104A116	C 0.10UF, K, 16V	1	
	C8028	F1G1C104A116	C 0.10UF, K, 16V	1	
	C8029	F1G1C104A116	C 0.10UF, K, 16V	1	
	C8030	F1H0J1050012	C 1UF, K, 16V	1	
	C8031	F1H0J1050012	C 1UF, K, 16V	1	
	C8032	F1J1A106A043	C 0.010UF, K, 10V	1	
	C8033	F1G1C104A116	C 0.10UF, K, 16V	1	
	C8034	F1G1C104A116	C 0.10UF, K, 16V	1	
	C8035	F1J1A106A043	C 0.010UF, K, 10V	1	
	C8036	F1J1A106A043	C 0.010UF, K, 10V	1	
	C8037	F1G1C104A116	C 0.10UF, K, 16V	1	
	C8038	F1G1C104A116	C 0.10UF, K, 16V	1	
	C8039	F1G1C104A116	C 0.10UF, K, 16V	1	
	C8040	F1G1C104A116	C 0.10UF, K, 16V	1	
	C8041	F1G1C104A116	C 0.10UF, K, 16V	1	
	C8042	ECCGRLOG680ER	C 68UF, J, 4V	1	
	C8043	F1G1C104A116	C 0.10UF, K, 16V	1	
	C8044	F1G1C104A116	C 0.10UF, K, 16V	1	
	C8045	F1G1C104A116	C 0.10UF, K, 16V	1	
	C8046	F1G1C104A116	C 0.10UF, K, 16V	1	
	C8047	F1G1C104A116	C 0.10UF, K, 16V	1	
	C8048	F1G1C104A116	C 0.10UF, K, 16V	1	
	C8049	F1G1C104A116	C 0.10UF, K, 16V	1	
	C8050	F1G1C104A116	C 0.10UF, K, 16V	1	
	C8051	F1G1C104A116	C 0.10UF, K, 16V	1	

Safety	Ref. No.	Part No.	Part Name & Description	Pcs	Remarks
	C8052	FIH0J1050012	C 1UF, K, 16V	1	
	C8053	FIG1C103A116	C 0.010UF, K, 16V	1	
	C8054	FIG1H150A731	C 15UF, 50V	1	
	C8055	FIG1HR50A577	C 0.50UF, 50V	1	
	C8056	FIG1C104A116	C 0.10UF, K, 16V	1	
	C8057	FIG1C104A116	C 0.10UF, K, 16V	1	
	C8058	FIJ1A106A043	C 0.010UF, K, 10V	1	
	C8063	FIH0J1050012	C 1UF, K, 16V	1	
	C8064	FIH0J1050012	C 1UF, K, 16V	1	
	C8065	FIG1C104A116	C 0.10UF, K, 16V	1	
	C8067	FIG1C104A116	C 0.10UF, K, 16V	1	
	C8069	FIG1H102A730	C 1000UF, 50V	1	
	C8070	FIG1C104A116	C 0.10UF, K, 16V	1	
	C8071	FIG1C104A116	C 0.10UF, K, 16V	1	
	C8072	FIG1C104A116	C 0.10UF, K, 16V	1	
	C8073	FIG1C104A116	C 0.10UF, K, 16V	1	
	C8074	FIG1C104A116	C 0.10UF, K, 16V	1	
	C8075	FIJ1A106A043	C 0.010UF, K, 10V	1	
	C8076	FIG1C104A116	C 0.10UF, K, 16V	1	
	C8077	FIG1C104A116	C 0.10UF, K, 16V	1	
	C8078	FIG1C104A116	C 0.10UF, K, 16V	1	
	C8079	FIG1C104A116	C 0.10UF, K, 16V	1	
	C8080	FIG1C104A116	C 0.10UF, K, 16V	1	
	C8081	FIG1C104A116	C 0.10UF, K, 16V	1	
	C8082	FIG1H102A730	C 1000UF, 50V	1	
	C8083	FIG1C104A116	C 0.10UF, K, 16V	1	
	C8084	FIG1H102A730	C 1000UF, 50V	1	
	C8085	FIG1C104A116	C 0.10UF, K, 16V	1	
	C8086	FIG1C104A116	C 0.10UF, K, 16V	1	
	C8087	FIG1C104A116	C 0.10UF, K, 16V	1	
	C8088	FIG1C104A116	C 0.10UF, K, 16V	1	
	C8089	FIG1C104A116	C 0.10UF, K, 16V	1	
	C8090	FIG1C104A116	C 0.10UF, K, 16V	1	
	C8092	FIG1C104A116	C 0.10UF, K, 16V	1	
	C8093	FIG1C104A116	C 0.10UF, K, 16V	1	
	C8094	FIG1C104A116	C 0.10UF, K, 16V	1	
	C8095	FIG1C104A116	C 0.10UF, K, 16V	1	
	C8096	FIG1C104A116	C 0.10UF, K, 16V	1	
	C8097	FIG1C104A116	C 0.10UF, K, 16V	1	
	C8098	FIG1C104A116	C 0.10UF, K, 16V	1	
	C8099	FIG1C104A116	C 0.10UF, K, 16V	1	
	C8100	FIG1C104A116	C 0.10UF, K, 16V	1	
	C8101	FIG1C104A116	C 0.10UF, K, 16V	1	
	C8102	FIG1C104A116	C 0.10UF, K, 16V	1	
	C8201	FIG1C104A116	C 0.10UF, K, 16V	1	
	C8202	FIG1C104A116	C 0.10UF, K, 16V	1	
	C8343	FIG1C104A116	C 0.10UF, K, 16V	1	
	C8344	FIG1C104A116	C 0.10UF, K, 16V	1	
	C8345	FIG1C104A116	C 0.10UF, K, 16V	1	
	C8346	FIG1C104A116	C 0.10UF, K, 16V	1	
	C8405	FIG1C104A116	C 0.10UF, K, 16V	1	
	C8408	FIG1C104A116	C 0.10UF, K, 16V	1	
	C8409	FIG1C104A116	C 0.10UF, K, 16V	1	
	C8413	FIG1C104A116	C 0.10UF, K, 16V	1	
	C8414	FIG1C104A116	C 0.10UF, K, 16V	1	
	C8415	FIG1C104A116	C 0.10UF, K, 16V	1	
	C8418	FIG1C104A116	C 0.10UF, K, 16V	1	
	C8508	FIG1C103A116	C 0.010UF, K, 16V	1	
	C8510	FIJ1A106A043	C 0.010UF, K, 10V	1	
	C8531	FIG1H220A731	C 22UF, 50V	1	
	C8532	F2G1C470A022	E 47UF, 16V	1	
	C8533	FIG1C104A116	C 0.10UF, K, 16V	1	
	C8535	FIG1C103A116	C 0.010UF, K, 16V	1	
	C8544	FIJ0G2260001	C 0.001UF, 6.3V	1	
	C8580	FIG1C104A116	C 0.10UF, K, 16V	1	
	C8581	FIG1C104A116	C 0.10UF, K, 16V	1	
	C8582	FIG1C104A116	C 0.10UF, K, 16V	1	
	C9033	FIG1C104A116	C 0.10UF, K, 16V	1	

Safety	Ref. No.	Part No.	Part Name & Description	Pcs	Remarks
	C9034	FIG1C104A116	C 0.10UF, K, 16V	1	
	C9035	FIJ1A106A043	C 0.010UF, K, 10V	1	
	C9036	FIJ1A106A043	C 0.010UF, K, 10V	1	
	C9037	FIG1E103A123	C 0.010UF, K, 25V	1	
	C9038	FIG1E103A123	C 0.010UF, K, 25V	1	
	C9040	FIG1C104A116	C 0.10UF, K, 16V	1	
	C9044	FIJ1A475A039	C 4.7UF, K, 10V	1	
	C9045	FIG1C104A116	C 0.10UF, K, 16V	1	
	C9046	FIG1C104A116	C 0.10UF, K, 16V	1	
	C9047	FIG1C104A116	C 0.10UF, K, 16V	1	
	C9048	FIG1C104A116	C 0.10UF, K, 16V	1	
	C9049	FIG1C104A116	C 0.10UF, K, 16V	1	
	C9052	FIG1C104A116	C 0.10UF, K, 16V	1	
	C9053	FIG1C104A116	C 0.10UF, K, 16V	1	
	C9055	FIG1C104A116	C 0.10UF, K, 16V	1	
	C9057	FIG1C104A116	C 0.10UF, K, 16V	1	
	C9061	FIG1C104A116	C 0.10UF, K, 16V	1	
	C9062	FIJ1A475A039	C 4.7UF, K, 10V	1	
	C9063	FIG1C104A116	C 0.10UF, K, 16V	1	
	C9064	FIG1C104A116	C 0.10UF, K, 16V	1	
	C9065	FIG1C104A116	C 0.10UF, K, 16V	1	
	C9066	FIH1E104A129	C 0.1UF, 25V	1	
	C9067	FIK0J226A008	C 22UF, K,6.3V	1	
	C9068	FIK0J226A008	C 22UF, K,6.3V	1	
	C9069	FIG1H222A730	C 2200UF, 50V	1	
	C9071	FIH1E104A129	C 0.1UF, 25V	1	
	C9072	FIK0J226A008	C 22UF, K,6.3V	1	
	C9073	FIK0J226A008	C 22UF, K,6.3V	1	
	C9074	FIG1H222A730	C 2200UF, 50V	1	
	C9076	FIG1C153A116	C 0.015UF, K, 16V	1	
	C9077	FIK1E106A136	C 10UF, Z, 25V	1	
	C9078	FIK1E106A136	C 10UF, Z, 25V	1	
	C9079	FIG1H220A731	C 22UF, 50V	1	
	C9080	FIG1H201A731	C 200 UF, K, 50V	1	
	C9081	FIG1C104A116	C 0.10UF, K, 16V	1	
	C9082	FIH1E104A129	C 0.1UF, 25V	1	
	C9083	FIK0J226A008	C 22UF, K,6.3V	1	
	C9084	FIK0J226A008	C 22UF, K,6.3V	1	
	C9085	FIG1H222A730	C 2200UF, 50V	1	
	C9087	FIG1A563A053	C 0.56UF, 10V	1	
	C9088	FIK1E106A136	C 10UF, Z, 25V	1	
	C9089	FIK1E106A136	C 10UF, Z, 25V	1	
	C9091	FIG1H201A731	C 200 UF, K, 50V	1	
	C9100	FIG1C104A116	C 0.10UF, K, 16V	1	
	C9101	FIG1C104A116	C 0.10UF, K, 16V	1	
	C9102	FIG1C104A116	C 0.10UF, K, 16V	1	
	C9111	FIJ1A106A043	C 0.010UF, K, 10V	1	
	C9112	FIJ1A106A043	C 0.010UF, K, 10V	1	
	C9113	FIG1C104A116	C 0.10UF, K, 16V	1	
	C9114	FIG1C104A116	C 0.10UF, K, 16V	1	
	C9115	FIG1C104A116	C 0.10UF, K, 16V	1	
	C9123	FIJ1A106A043	C 0.010UF, K, 10V	1	
	C9124	FIJ1A106A043	C 0.010UF, K, 10V	1	
	C9134	FIG1C104A116	C 0.10UF, K, 16V	1	
	C9135	FIG1C104A116	C 0.10UF, K, 16V	1	
	C9136	FIG1C104A116	C 0.10UF, K, 16V	1	
	C9138	FIG1C104A116	C 0.10UF, K, 16V	1	
	C9139	FIJ1A106A043	C 0.010UF, K, 10V	1	
	C9140	FIG1C104A116	C 0.10UF, K, 16V	1	
	C9141	FIJ1A106A043	C 0.010UF, K, 10V	1	
	C9142	FIH1A1050032	C 10UF, 50V	1	
	C9143	FIH1A1050032	C 10UF, 50V	1	
	C9144	FIG1C104A116	C 0.10UF, K, 16V	1	
	C9145	FIH1A1050032	C 10UF, 50V	1	

Safety	Ref. No.	Part No.	Part Name & Description	Pcs	Remarks
	C9146	F1H1A1050032	C 10UF, 50V	1	
	C9147	F1H1A1050032	C 10UF, 50V	1	
	C9148	F1H1A1050032	C 10UF, 50V	1	
	C9149	F1H1A1050032	C 10UF, 50V	1	
	C9150	F1H1A1050032	C 10UF, 50V	1	
	C9151	F1H1A1050032	C 10UF, 50V	1	
	C9152	F1H1A1050032	C 10UF, 50V	1	
	C9153	F1H1A1050032	C 10UF, 50V	1	
	C9154	F1H1A1050032	C 10UF, 50V	1	
	C9155	F1H1A1050032	C 10UF, 50V	1	
	C9156	F1H1A1050032	C 10UF, 50V	1	
	C9157	F1H1A1050032	C 10UF, 50V	1	
	C9158	F1H1A1050032	C 10UF, 50V	1	
	C9159	F1H1A1050032	C 10UF, 50V	1	
	C9160	F1H1A1050032	C 10UF, 50V	1	
	C9161	F1H1A1050032	C 10UF, 50V	1	
	C9162	F1H1A1050032	C 10UF, 50V	1	
	C9163	F1H1A1050032	C 10UF, 50V	1	
	C9164	F1H1A1050032	C 10UF, 50V	1	
	C9165	F1H1A1050032	C 10UF, 50V	1	
	C9166	F1H1A1050032	C 10UF, 50V	1	
	C9167	F1H1A1050032	C 10UF, 50V	1	
	C9168	F1H1A1050032	C 10UF, 50V	1	
	C9169	F1H1A1050032	C 10UF, 50V	1	
	C9300	F1G1C104A116	C 0.10UF, K, 16V	1	
	C9302	F1G1C104A116	C 0.10UF, K, 16V	1	
	C9303	F1G1C104A116	C 0.10UF, K, 16V	1	
	C9305	F1G1C104A116	C 0.10UF, K, 16V	1	
	C9306	F1G1C104A116	C 0.10UF, K, 16V	1	
	C9310	F1G1C104A116	C 0.10UF, K, 16V	1	
	C9311	F1G1C104A116	C 0.10UF, K, 16V	1	
	C9312	F1G1C104A116	C 0.10UF, K, 16V	1	
	C9313	F1G1C104A116	C 0.10UF, K, 16V	1	
	C9314	F1G1C104A116	C 0.10UF, K, 16V	1	
	C9468	F1G1E103A123	C 0.010UF, K, 25V	1	
	C9469	F1G1C104A116	C 0.10UF, K, 16V	1	
	C9535	F1G1C104A116	C 0.10UF, K, 16V	1	
	C9536	F1G1C104A116	C 0.10UF, K, 16V	1	
	C9537	F1G1C104A116	C 0.10UF, K, 16V	1	
	C9538	F1G1C104A116	C 0.10UF, K, 16V	1	
	C9539	F1G1C104A116	C 0.10UF, K, 16V	1	
	C9540	F1G1C104A116	C 0.10UF, K, 16V	1	
	C9541	F1G1C104A116	C 0.10UF, K, 16V	1	
	C9542	F1G1C104A116	C 0.10UF, K, 16V	1	
	C9543	F1G1C104A116	C 0.10UF, K, 16V	1	
	C9544	F1G1C104A116	C 0.10UF, K, 16V	1	
	C9545	F1G1C104A116	C 0.10UF, K, 16V	1	
	C9546	F1G1C104A116	C 0.10UF, K, 16V	1	
	C9547	F1G1C104A116	C 0.10UF, K, 16V	1	
	C9548	F1G1C104A116	C 0.10UF, K, 16V	1	
	C9549	F1G1C104A116	C 0.10UF, K, 16V	1	
	C9550	F1G1C104A116	C 0.10UF, K, 16V	1	
	C9556	F1G1E103A123	C 0.010UF, K, 25V	1	
	C9557	F1G1E103A123	C 0.010UF, K, 25V	1	
	C9700	F1G1C104A116	C 0.10UF, K, 16V	1	
	C9701	F1G1C104A116	C 0.10UF, K, 16V	1	
	C9702	F1G1C104A116	C 0.10UF, K, 16V	1	
	C9703	F1G1C104A116	C 0.10UF, K, 16V	1	
	C9704	F1G1C104A116	C 0.10UF, K, 16V	1	
	C9706	F1G1C104A116	C 0.10UF, K, 16V	1	
	C9709	F1G1C104A116	C 0.10UF, K, 16V	1	
	C9713	F1G1C104A116	C 0.10UF, K, 16V	1	
	C9714	F1G1C104A116	C 0.10UF, K, 16V	1	
	C9715	F1G1C104A116	C 0.10UF, K, 16V	1	
	C9716	F1G1C104A116	C 0.10UF, K, 16V	1	
	C9823	F1K1E106A136	C 10UF, Z, 25V	1	
	C9825	F1G1H101A731	C 100PF, K, 50V	1	
	C9832	F1J1A106A043	C 0.010UF, K, 10V	1	
	C9837	F1J1A106A043	C 0.010UF, K, 10V	1	

Safety	Ref. No.	Part No.	Part Name & Description	Pcs	Remarks
	C9840	F1G1E103A123	C 0.010UF, K, 25V	1	
	C9844	F1G1E103A123	C 0.010UF, K, 25V	1	
	C9845	F1G1C104A116	C 0.10UF, K, 16V	1	
	C9846	F1G1C104A116	C 0.10UF, K, 16V	1	
	C9858	F1K1E106A136	C 10UF, Z, 25V	1	
	C9859	F1G1E103A123	C 0.010UF, K, 25V	1	
	C9863	F1G1E472A123	C 4200UF, Z, 25V	1	
	C9869	F1K1E106A136	C 10UF, Z, 25V	1	
	C9872	F1K1E106A136	C 10UF, Z, 25V	1	
	C9874	F1G1H101A731	C 100PF, K, 50V	1	
	C9882	F1G1H201A731	C 200 UF, K, 50V	1	
	C9889	F1J1A106A043	C 0.010UF, K, 10V	1	
	C9899	F1J1A106A043	C 0.010UF, K, 10V	1	
	C9900	F1G1C104A116	C 0.10UF, K, 16V	1	
	C9901	F1G1C104A116	C 0.10UF, K, 16V	1	
	C9902	F1G1C104A116	C 0.10UF, K, 16V	1	
	C9903	F1G1C104A116	C 0.10UF, K, 16V	1	
	C9904	F1G1C104A116	C 0.10UF, K, 16V	1	
	C9905	F1G1C104A116	C 0.10UF, K, 16V	1	
	C9906	F1G1C104A116	C 0.10UF, K, 16V	1	
	C9907	F1G1C104A116	C 0.10UF, K, 16V	1	
	C9908	F1G1C104A116	C 0.10UF, K, 16V	1	
	C9909	F1G1C104A116	C 0.10UF, K, 16V	1	
	C9910	F1G1C104A116	C 0.10UF, K, 16V	1	
	C9911	F1G1C104A116	C 0.10UF, K, 16V	1	
	C9912	F1G1C104A116	C 0.10UF, K, 16V	1	
	C9913	F1G1C104A116	C 0.10UF, K, 16V	1	
	C9914	F1G1C104A116	C 0.10UF, K, 16V	1	
	C9915	F1G1C104A116	C 0.10UF, K, 16V	1	
	C9916	F1G1C104A116	C 0.10UF, K, 16V	1	
	C9917	F1G1C104A116	C 0.10UF, K, 16V	1	
	C9918	F1G1C104A116	C 0.10UF, K, 16V	1	
	C9920	F1G1C104A116	C 0.10UF, K, 16V	1	
	C9921	F1G1C104A116	C 0.10UF, K, 16V	1	
	C9922	F1G1C104A116	C 0.10UF, K, 16V	1	
	C9923	F1G1C104A116	C 0.10UF, K, 16V	1	
	C9924	F1G1C104A116	C 0.10UF, K, 16V	1	
	C9925	F1G1C104A116	C 0.10UF, K, 16V	1	
	C9926	F1J1A106A043	C 0.010UF, K, 10V	1	
	C9949	F1G1C104A116	C 0.10UF, K, 16V	1	
	C9950	F1G1C104A116	C 0.10UF, K, 16V	1	
	C9952	F1G1C104A116	C 0.10UF, K, 16V	1	
	C9953	F1G1C104A116	C 0.10UF, K, 16V	1	
	C9954	F1G1C104A116	C 0.10UF, K, 16V	1	
	C9956	F1G1C104A116	C 0.10UF, K, 16V	1	
	C9957	F1G1C104A116	C 0.10UF, K, 16V	1	
	C9958	F1G1C104A116	C 0.10UF, K, 16V	1	
	C9960	F1J1A106A043	C 0.010UF, K, 10V	1	
	C9961	F1J1A106A043	C 0.010UF, K, 10V	1	
	C9962	F1J1A106A043	C 0.010UF, K, 10V	1	
	C9965	F1G1C104A116	C 0.10UF, K, 16V	1	
	C9966	F1J1A106A043	C 0.010UF, K, 10V	1	
	C9967	F1G1C104A116	C 0.10UF, K, 16V	1	
	C9968	F1G1C104A116	C 0.10UF, K, 16V	1	
	C9970	F1G1C104A116	C 0.10UF, K, 16V	1	
	C9971	F1G1H150A731	C 15UF, 50V	1	
	C9972	F1G1H180A731	C 18UF, 50V	1	
	C9973	F1G1C104A116	C 0.10UF, K, 16V	1	
	C9976	F1G1C104A116	C 0.10UF, K, 16V	1	
	C9977	F1G1C104A116	C 0.10UF, K, 16V	1	
	C9980	F1G1C104A116	C 0.10UF, K, 16V	1	
	C9984	F1J1A106A043	C 0.010UF, K, 10V	1	
	C9985	F1J1A106A043	C 0.010UF, K, 10V	1	

Safety	Ref. No.	Part No.	Part Name & Description	Pcs	Remarks
	C9986	FI1G1C104A116	C 0.10UF, K, 16V	1	
	C9987	FI1G1C104A116	C 0.10UF, K, 16V	1	
	C9988	FI1G1C104A116	C 0.10UF, K, 16V	1	
	C9989	ECGRLO680ER	C 68UF, J, 4V	1	
	C9990	FI1G1C104A116	C 0.10UF, K, 16V	1	
	C9991	FI1G1C104A116	C 0.10UF, K, 16V	1	
	C9992	FI1G1C104A116	C 0.10UF, K, 16V	1	
	C9993	FI1G1C104A116	C 0.10UF, K, 16V	1	
	C9994	FI1G1C104A116	C 0.10UF, K, 16V	1	
	C9995	FI1G1C104A116	C 0.10UF, K, 16V	1	
	C9996	FI1G1C104A116	C 0.10UF, K, 16V	1	
	C9997	FI1G1C104A116	C 0.10UF, K, 16V	1	
	C16002	FI1L2J562A022	C 5600UF, K, 6.3V	1	
	C16012	F2A2T301A004	E 300UF, 220V	1	
	C16013	F2A2T301A004	E 300UF, 220V	1	
	C16018	FOC2E155A252	E 0.015UF, 250V	1	
	C16023	FI1L2J562A022	C 5600UF, K, 6.3V	1	
	C16041	FI1H1H392A970	C 3900PF, K, 50V	1	
	C16071	FI1L2J1020001	C 1000UF, K, 6.3V	1	
	C16092	FI1L2J1020001	C 1000UF, K, 6.3V	1	
	C16104	FI1H1E470A130	C 47UF, K, 25V	1	
	C16105	FI1H1E470A130	C 47UF, K, 25V	1	
	C16131	FI1L1E4750004	C 4.7UF, 25V	1	
	C16133	FI1L1E4750004	C 4.7UF, 25V	1	
	C16135	FI1K1E105A029	C 1UF, Z, 25V	1	
	C16151	FI1K1E105A029	C 1UF, Z, 25V	1	
	C16152	FI1L1E4750004	C 4.7UF, 25V	1	
	C16153	FI1L1E4750004	C 4.7UF, 25V	1	
	C16154	FI1L1E4750004	C 4.7UF, 25V	1	
	C16191	FI1L1E4750004	C 4.7UF, 25V	1	
	C16192	FI1H1E104A129	C 0.1UF, 25V	1	
	C16193	EEUFC1E470	E 47UF, 25V	1	
	C16195	FI1L1E4750004	C 4.7UF, 25V	1	
	C16201	FOC2E405A230	E 0.040UF, 250V	1	
	C16202	FOC2E405A230	E 0.040UF, 250V	1	
	C16203	FOC2E405A230	E 0.040UF, 250V	1	
	C16241	F2A1A101A106	E 100UF, 10V	1	
	C16242	FI1H1C105A008	C 1UF, K, 16V	1	
	C16243	FI1H1H103A970	C 0.001UF, K, 50V	1	
	C16251	FI1H1C105A008	C 1UF, K, 16V	1	
	C16252	FI1K1E105A029	C 1UF, Z, 25V	1	
	C16271	EEUFC1E221	E 220UF, 25V	1	
	C16280	FI1K1E105A029	C 1UF, Z, 25V	1	
	C16284	FI1H1H104A970	C 0.1UF, K, 50V	1	
	C16285	FI1H1H104A970	C 0.1UF, K, 50V	1	
	C16286	FI1H1H104A970	C 0.1UF, K, 50V	1	
	C16287	FI1H1H104A970	C 0.1UF, K, 50V	1	
	C16314	F2A2T301A004	E 300UF, 220V	1	
	C16315	FI1H1A1050032	C 10UF, 50V	1	
	C16316	FI1H1C104A143	C 0.1UF, K, 16V	1	
	C16317	FI1H1A1050032	C 10UF, 50V	1	
	C16318	FI1J1H104A835	C 0.10UF, 50V	1	
	C16319	FI1J1H104A835	C 0.10UF, 50V	1	
	C16328	F2A2C221A195	E 2200UF, 160V	1	
	C16331	FOC2E105A252	E 0.010UF, 250V	1	
	C16401	FI1L2J562A022	C 5600UF, K, 6.3V	1	
	C16412	F2A2T251A004	E 250UF, 220V	1	
	C16413	FOC2E155A252	E 0.015UF, 250V	1	
	C16414	F2A2T251A004	E 250UF, 220V	1	
	C16415	F2A2T251A004	E 250UF, 220V	1	
	C16417	F2A2T251A004	E 250UF, 220V	1	
	C16421	FI1L2J562A022	C 5600UF, K, 6.3V	1	
	C16441	FI1H1H392A970	C 3900PF, K, 50V	1	
	C16460	FI1E2J182A002	C 1800PF, 600V	1	
	C16471	FI1L2J1020001	C 1000UF, K, 6.3V	1	
	C16472	FI1K1E105A029	C 1UF, Z, 25V	1	
	C16490	FI1H1C105A008	C 1UF, K, 16V	1	
	C16491	FI1L2J1020001	C 1000UF, K, 6.3V	1	
	C16501	FI1K1E105A029	C 1UF, Z, 25V	1	
	C16502	FI1L1E4750004	C 4.7UF, 25V	1	
	C16503	F2A1E471A102	E 470UF, 25V	1	
	C16504	FI1L1E4750004	C 4.7UF, 25V	1	

Safety	Ref. No.	Part No.	Part Name & Description	Pcs	Remarks
	C16505	FI1K1E105A029	C 1UF, Z, 25V	1	
	C16521	FI1K1E105A029	C 1UF, Z, 25V	1	
	C16522	FI1L1E4750004	C 4.7UF, 25V	1	
	C16523	F2A1E471A102	E 470UF, 25V	1	
	C16524	FI1L1E4750004	C 4.7UF, 25V	1	
	C16525	FI1L1E4750004	C 4.7UF, 25V	1	
	C16533	FI1H1H104A970	C 0.1UF, K, 50V	1	
	C16535	FI1H1H104A970	C 0.1UF, K, 50V	1	
	C16536	FI1H1H104A970	C 0.1UF, K, 50V	1	
	C16562	FI1H1C105A008	C 1UF, K, 16V	1	
	C16563	F2A1A101A106	E 100UF, 10V	1	
	C16564	FI1H1C105A008	C 1UF, K, 16V	1	
	C16565	FI1H1H103A970	C 0.001UF, K, 50V	1	
	C16566	FI1H1H103A970	C 0.001UF, K, 50V	1	
	C16581	FI1K1E105A029	C 1UF, Z, 25V	1	
	C16582	FI1H1C105A008	C 1UF, K, 16V	1	
	C16593	FI1H1H102A971	C 1000PF, K, 50V	1	
	C16602	FI1H1H220A971	C 22PF, K, 50V	1	
	C16603	FI1K2J102A014	C 1000UF, K, 6.3V	1	
	C16604	FI1K2J102A014	C 1000UF, K, 6.3V	1	
	C16608	FI1H1H221A971	C 220UF, K, 50V	1	
	C16631	FOC2E405A230	E 0.040UF, 250V	1	
	C16632	FOC2E405A230	E 0.040UF, 250V	1	
	C16633	FOC2E405A230	E 0.040UF, 250V	1	
	C16641	FI1K2J222A014	C 2200UF, K, 6.3V	1	
	C16645	FI1K2J102A014	C 1000UF, K, 6.3V	1	
	C16646	FI1K2J102A014	C 1000UF, K, 6.3V	1	
	C16661	FI1K2J102A014	C 1000UF, K, 6.3V	1	
	C16662	FI1K2J102A014	C 1000UF, K, 6.3V	1	
	C16664	FI1H1H820A971	C 82UF, 50V	1	
	C16665	FI1H1H820A971	C 82UF, 50V	1	
	C16666	FI1H1H820A971	C 82UF, 50V	1	
	C16668	FI1H1H221A971	C 220UF, K, 50V	1	
	C16675	FI1H1H391A971	C 391UF, 50V	1	
	C16684	FI1H1H104A970	C 0.1UF, K, 50V	1	
	C16685	FI1H1H104A970	C 0.1UF, K, 50V	1	
	C16691	F2A2C101A169	E 1000UF, 160V	1	
	C16692	FI1H1H104A970	C 0.1UF, K, 50V	1	
	C16707	FI1H1H220A971	C 22PF, K, 50V	1	
	C16708	FI1H1H104A970	C 0.1UF, K, 50V	1	
	C16721	F2A1H101A128	E 100UF, 50V	1	
	C16723	FI1L1E4750004	C 4.7UF, 25V	1	
	C16724	FI1L1E4750004	C 4.7UF, 25V	1	
	C16725	FI1L1E4750004	C 4.7UF, 25V	1	
	C16753	FI1L1E4750004	C 4.7UF, 25V	1	
	C16755	FI1L1E4750004	C 4.7UF, 25V	1	
	C16756	FI1L1E4750004	C 4.7UF, 25V	1	
	C16771	FI1H1C105A008	C 1UF, K, 16V	1	
	C16772	FI1L1E4750004	C 4.7UF, 25V	1	
	C16773	FI1L1E4750004	C 4.7UF, 25V	1	
	C16791	EEUFC1E221	E 220UF, 25V	1	
	C16795	F2A1E471A102	E 470UF, 25V	1	
	C16796	F2A1E471A102	E 470UF, 25V	1	
	C16797	FI1H1H104A970	C 0.1UF, K, 50V	1	
	C16813	F2A2T221A009	E 220UF, 220V	1	
	C16814	FI1H1H561A971	C 560UF, 50V	1	
	C16821	FI1J1H104A835	C 0.10UF, 50V	1	
	C16822	F2A2G470A187	E 470UF, 400V	1	
	C16823	FI1L2J562A022	C 5600UF, K, 6.3V	1	
	C16842	F2A2C101A169	E 1000UF, 160V	1	
	C16843	FI1J1H104A835	C 0.10UF, 50V	1	
	C16844	FI1J1H104A835	C 0.10UF, 50V	1	
	C16856	FI1H1A1050032	C 10UF, 50V	1	
	C16857	FI1H1H472A970	C 4700PF, K, 50V	1	
	C16858	FI1H1C104A143	C 0.1UF, K, 16V	1	
	C16860	FI1H1A1050032	C 10UF, 50V	1	
	C16861	FI1H1C104A143	C 0.1UF, K, 16V	1	
	C16862	FI1H1A1050032	C 10UF, 50V	1	
	C16863	FI1J1H104A835	C 0.10UF, 50V	1	
	C16864	FI1J1H104A835	C 0.10UF, 50V	1	
	C16866	FI1H1A1050032	C 10UF, 50V	1	
	C16867	FI1H1A1050032	C 10UF, 50V	1	

Safety	Ref. No.	Part No.	Part Name & Description	Pcs	Remarks
	C16868	F1H1A1050032	C 10UF, 50V	1	
	C16869	F1J1H104A835	C 0.10UF, 50V	1	
	C16891	F1K1E105A029	C 1UF, Z, 25V	1	
	C16903	F1E2J332A002	C 3300PF, 600V	1	
	C17100	F1H1A1050032	C 10UF, 50V	1	
	C17101	F1H1A1050032	C 10UF, 50V	1	
	C17102	F1L2E154A028	E 1500UF, 25V	1	
	C17103	F1L2E154A028	E 1500UF, 25V	1	
	C17104	F1L2E154A028	E 1500UF, 25V	1	
	C17105	F1L2E154A028	E 1500UF, 25V	1	
	C17106	F1H1A1050032	C 10UF, 50V	1	
	C17107	F1H1A1050032	C 10UF, 50V	1	
	C17108	F1L2E154A028	E 1500UF, 25V	1	
	C17109	F1L2E154A028	E 1500UF, 25V	1	
	C17110	F1L2E154A028	E 1500UF, 25V	1	
	C17111	F1L2E154A028	E 1500UF, 25V	1	
	C17200	F1H1A1050032	C 10UF, 50V	1	
	C17201	F1L2E154A028	E 1500UF, 25V	1	
	C17202	F1H1A1050032	C 10UF, 50V	1	
	C17203	F1L2E154A028	E 1500UF, 25V	1	
	C17204	F1L2E154A028	E 1500UF, 25V	1	
	C17207	F1L2E154A028	E 1500UF, 25V	1	
	C17210	F1H1A1050032	C 10UF, 50V	1	
	C17211	F1H1A1050032	C 10UF, 50V	1	
	C17212	F1L2E154A028	E 1500UF, 25V	1	
	C17213	F1L2E154A028	E 1500UF, 25V	1	
	C17214	F1L2E154A028	E 1500UF, 25V	1	
	C17215	F1L2E154A028	E 1500UF, 25V	1	
	C17216	F1H1C104A143	C 0.1UF, K, 16V	1	
	C17241	F1H1H101A971	C 100UF, 50V	1	
	C17300	F1H1A1050032	C 10UF, 50V	1	
	C17301	F1H1C104A143	C 0.1UF, K, 16V	1	
	C17302	F1L2E154A028	E 1500UF, 25V	1	
	C17303	F1H1A1050032	C 10UF, 50V	1	
	C17304	F1L2E154A028	E 1500UF, 25V	1	
	C17305	F1L2E154A028	E 1500UF, 25V	1	
	C17306	F1H1A1050032	C 10UF, 50V	1	
	C17307	F1L2E154A028	E 1500UF, 25V	1	
	C17310	F1L2E154A028	E 1500UF, 25V	1	
	C17313	F1H1A1050032	C 10UF, 50V	1	
	C17314	F1L2E154A028	E 1500UF, 25V	1	
	C17315	F1H1C104A143	C 0.1UF, K, 16V	1	
	C17316	F1L2E154A028	E 1500UF, 25V	1	
	C17317	F1H1A1050032	C 10UF, 50V	1	
	C17318	F1L2E154A028	E 1500UF, 25V	1	
	C17319	F1L2E154A028	E 1500UF, 25V	1	
	C17320	F1H1A1050032	C 10UF, 50V	1	
	C17321	F1L2E154A028	E 1500UF, 25V	1	
	C17322	F1L2E154A028	E 1500UF, 25V	1	
	C17323	F1H1A1050032	C 10UF, 50V	1	
	C17324	F1L2E154A028	E 1500UF, 25V	1	
	C17325	F1L2E154A028	E 1500UF, 25V	1	
	C17327	F1L2E154A028	E 1500UF, 25V	1	
	C17341	F1H1H101A971	C 100UF, 50V	1	
	CB1	K1MY55B00002	55P CONNECTOR	1	
	CB2	K1MY55B00002	55P CONNECTOR	1	
	CB3	K1MY55B00002	55P CONNECTOR	1	
	CB4	K1MY55B00002	55P CONNECTOR	1	
	CB5	K1MY55B00002	55P CONNECTOR	1	
	CB6	K1MY55B00002	55P CONNECTOR	1	
	CB7	K1MY55B00002	55P CONNECTOR	1	
	CB8	K1MY55B00002	55P CONNECTOR	1	
	CB9	K1MY55B00002	55P CONNECTOR	1	
	CB10	K1MY55B00002	55P CONNECTOR	1	
	CB11	K1MY55B00002	55P CONNECTOR	1	
	CB12	K1MY55B00002	55P CONNECTOR	1	
	CB13	K1MY55B00002	55P CONNECTOR	1	
	CB14	K1MY55B00002	55P CONNECTOR	1	
	CB15	K1MY55B00002	55P CONNECTOR	1	
	CN0100	K1KA11AA0715	11P CONNECTOR	1	

Safety	Ref. No.	Part No.	Part Name & Description	Pcs	Remarks
	D1107	MA3X704A0L	ZENER DIODE	1	
	D1112	MA2J72800L	ZENER DIODE	1	
	D2014	MA2J11100L	DIODE	1	
	D2017	MA2J11100L	DIODE	1	
	D2512	MAZ80560ML	ZENER DIODE	1	
	D2520	B3AGB0000057	LED	1	
	D2524	MAZ80560ML	ZENER DIODE	1	
	D2530	MAZ80560ML	ZENER DIODE	1	
	D2870	B0JCME000037	DIODE	1	
	D2871	MA8120M	ZENER DIODE	1	
	D3015	K7AAAY000003	PHOTO LINK	1	
	D3017	EZJP0V080GA	VARISTOR	1	
	D3019	EZJP0V080GA	VARISTOR	1	
	D3050	EZJP0V080GA	VARISTOR	1	
	D4503	EZAEG2A50AX	DIODE	1	
	D4505	EZAEG2A50AX	DIODE	1	
	D4507	EZAEG2A50AX	DIODE	1	
	D4509	EZAEG2A50AX	DIODE	1	
	D4511	EZAEG2A50AX	DIODE	1	
	D4512	EZAEG2A50AX	DIODE	1	
	D4513	B0BC5R6A0275	DIODE	1	
	D4516	EZAEG2A50AX	DIODE	1	
	D4517	EZAEG2A50AX	DIODE	1	
	D4518	EZAEG2A50AX	DIODE	1	
	D4520	EZAEG2A50AX	DIODE	1	
	D4521	EZAEG2A50AX	DIODE	1	
	D4523	EZAEG2A50AX	DIODE	1	
	D4525	MA2J11100L	DIODE	1	
	D4526	MA2J11100L	DIODE	1	
	D4541	MA2J11100L	DIODE	1	
	D4542	MA2J11100L	DIODE	1	
	D4542	MA2J11100L	DIODE	1	
	D4573	EZAEG2A50AX	DIODE	1	
	D4574	EZAEG2A50AX	DIODE	1	
	D4575	MA2J11100L	DIODE	1	
	D4576	B0HCMM000014	DIODE	1	
	D4577	B0HCMM000014	DIODE	1	
	D4583	B0HCMM000014	DIODE	1	
	D4587	EZAEG2A50AX	DIODE	1	
	D4588	EZAEG2A50AX	DIODE	1	
	D4589	EZAEG2A50AX	DIODE	1	
	D4590	EZAEG2A50AX	DIODE	1	
	D4591	EZAEG2A50AX	DIODE	1	
	D4592	EZAEG2A50AX	DIODE	1	
	D4593	EZAEG2A50AX	DIODE	1	
	D4594	EZAEG2A50AX	DIODE	1	
	D4595	EZAEG2A50AX	DIODE	1	
	D4596	EZAEG2A50AX	DIODE	1	
	D4597	EZAEG2A50AX	DIODE	1	
	D4598	EZAEG2A50AX	DIODE	1	
	D4599	EZAEG2A50AX	DIODE	1	
	D4600	EZAEG2A50AX	DIODE	1	
	D4601	EZAEG2A50AX	DIODE	1	
	D4602	EZAEG2A50AX	DIODE	1	
	D4611	B0BC5R6A0275	DIODE	1	
	D4615	MA2J11100L	DIODE	1	
	D4617	B0BC5R6A0275	DIODE	1	
	D5481	B0HCMM000014	DIODE	1	
	D5482	B0HCMM000014	DIODE	1	
	D5483	MA3X78900L	ZENER DIODE	1	
	D5485	B0BC03900015	ZENER DIODE	1	
	D5600	B0BC4R700007	ZENER DIODE	1	
	D5603	B0BC6R600005	ZENER DIODE	1	
	D5607	B0BC4R700007	ZENER DIODE	1	
	D5608	B0BC4R700007	ZENER DIODE	1	
	D5612	MAZ80560ML	ZENER DIODE	1	
	D5620	B0BC01100001	ZENER DIODE	1	
	D5621	MA3X152D0L	DIODE	1	
	D5622	MA3X152D0L	DIODE	1	
	D9000	B0JCCE000008	DIODE	1	
	D9110	B0JCGD000002	DIODE	1	
	D9800	B0JCPE000004	DIODE	1	
	D16002	B0FBCN000005	DIODE	1	
	D16021	B0FBCN000005	DIODE	1	

Safety	Ref. No.	Part No.	Part Name & Description	Pcs	Remarks
	D16022	B0FBCN000005	DIODE	1	
	D16032	MA2J11100L	DIODE	1	
	D16041	MA3DF46000LW	ZENER DIODE	1	
	D16050	BOECKP000047	DIODE	1	
	D16052	B0FBCN000008	DIODE	1	
	D16101	MA22D3900L	DIODE	1	
	D16131	BOECKP000047	DIODE	1	
	D16132	MAZ81500ML	ZENER DIODE	1	
	D16151	BOECKP000047	DIODE	1	
	D16152	BOECKP000047	DIODE	1	
	D16153	BOECKP000047	DIODE	1	
	D16191	BOECKP000047	DIODE	1	
	D16192	MA2J11100L	DIODE	1	
	D16193	BOECKP000047	DIODE	1	
	D16194	BOECKP000047	DIODE	1	
	D16195	BOECKP000047	DIODE	1	
	D16253	B3ABB0000210	LED	1	
	D16255	MA2J11100L	DIODE	1	
	D16280	MA2J11100L	DIODE	1	
	D16281	MAZ80510LL	ZENER DIODE	1	
	D16282	MAZ80680ML	ZENER DIODE	1	
	D16284	MA3X152D0L	DIODE	1	
	D16285	MA3X152D0L	DIODE	1	
	D16315	MAZ81500ML	ZENER DIODE	1	
	D16316	BOECKP000047	DIODE	1	
	D16317	BOECKP000047	DIODE	1	
	D16401	B0FACR000007	DIODE	1	
	D16402	B0FACR000007	DIODE	1	
	D16407	MA22D3900L	DIODE	1	
	D16411	MA2J11100L	DIODE	1	
	D16421	MA3DF40000LW	ZENER DIODE	1	
	D16451	BOECKP000047	DIODE	1	
	D16461	MA3DF46001TV	ZENER DIODE	1	
	D16462	MA3DF46001TV	ZENER DIODE	1	
	D16466	MA2J11100L	DIODE	1	
	D16473	MA3X152D0L	DIODE	1	
	D16474	MA2J11100L	DIODE	1	
	D16475	MAZ80510LL	ZENER DIODE	1	
	D16476	MA2J11100L	DIODE	1	
	D16477	MA2J11100L	DIODE	1	
	D16478	BOHCKS000002	DIODE	1	
	D16480	MA2J11100L	DIODE	1	
	D16482	B0FACP000002	DIODE	1	
	D16490	BOECKP000047	DIODE	1	
	D16491	MA2J11100L	DIODE	1	
	D16492	MAZ80470ML	ZENER DIODE	1	
	D16493	MA3X152E0L	ZENER DIODE	1	
	D16503	BOECHR000001	DIODE	1	
	D16522	BOECKP000047	DIODE	1	
	D16523	BOECHR000001	DIODE	1	
	D16524	BOECKP000047	DIODE	1	
	D16534	BOECHR000001	DIODE	1	
	D16536	BOECHR000001	DIODE	1	
	D16583	B3ABB0000210	LED	1	
	D16602	MAZ81500ML	ZENER DIODE	1	
	D16604	MA3X152E0L	ZENER DIODE	1	
	D16605	MAZ80510LL	ZENER DIODE	1	
	D16606	BOECKM000038	DIODE	1	
	D16607	MA2J11100L	DIODE	1	
	D16608	MA8120M	ZENER DIODE	1	
	D16610	MA2J11100L	DIODE	1	
	D16615	MA2J11100L	DIODE	1	
	D16616	MA3X152E0L	ZENER DIODE	1	
	D16618	BOECKP000047	DIODE	1	
	D16619	BOECKP000047	DIODE	1	
	D16621	B0FBCN000006	DIODE	1	
	D16622	B0FBCN000006	DIODE	1	
	D16624	BOECKP000047	DIODE	1	
	D16625	MAZ82000ML	ZENER DIODE	1	
	D16641	B0FBCN000007	DIODE	1	
	D16642	B0FBCN000007	DIODE	1	
	D16645	MAZ81500ML	ZENER DIODE	1	
	D16646	MAZ81500ML	ZENER DIODE	1	

Safety	Ref. No.	Part No.	Part Name & Description	Pcs	Remarks
	D16647	MAZ81500ML	ZENER DIODE	1	
	D16648	MAZ80510LL	ZENER DIODE	1	
	D16649	MA2J11100L	DIODE	1	
	D16650	MA2J11100L	DIODE	1	
	D16652	BOECKP000047	DIODE	1	
	D16653	MA2J11100L	DIODE	1	
	D16654	MA2J11100L	DIODE	1	
	D16662	MAZ81500ML	ZENER DIODE	1	
	D16663	MAZ81500ML	ZENER DIODE	1	
	D16664	MAZ81500ML	ZENER DIODE	1	
	D16669	MA2J11100L	DIODE	1	
	D16671	MA2J11100L	DIODE	1	
	D16673	BOECHR000001	DIODE	1	
	D16674	BOECHR000001	DIODE	1	
	D16677	MA3X152D0L	DIODE	1	
	D16678	MAZ81500ML	ZENER DIODE	1	
	D16679	BOECKP000047	DIODE	1	
	D16702	MA2J11100L	DIODE	1	
	D16710	MAZ81500ML	ZENER DIODE	1	
	D16711	BOECHR000001	DIODE	1	
	D16712	MAZ81500ML	ZENER DIODE	1	
	D16713	BOECHR000001	DIODE	1	
	D16714	MAZ81500ML	ZENER DIODE	1	
	D16715	BOECHR000001	DIODE	1	
	D16717	MAZ83300ML	ZENER DIODE	1	
	D16719	BOECKP000047	DIODE	1	
	D16720	BOECKP000047	DIODE	1	
	D16721	BOECHR000001	DIODE	1	
	D16725	MA2J11100L	DIODE	1	
	D16765	BOECHR000001	DIODE	1	
	D16791	MAZ82000ML	ZENER DIODE	1	
	D16792	MA2J11100L	DIODE	1	
	D16811	MA2J11100L	DIODE	1	
	D16820	MA3X152E0L	ZENER DIODE	1	
	D16821	MAZ83600ML	ZENER DIODE	1	
	D16824	MAZ83300ML	ZENER DIODE	1	
	D16825	MAZ83300ML	ZENER DIODE	1	
	D16859	BOHCKS000002	DIODE	1	
	D16860	BOHCKS000002	DIODE	1	
	D16865	BOECKP000047	DIODE	1	
	D16871	MAZ82400ML	ZENER DIODE	1	
	D16874	MAZ80510LL	ZENER DIODE	1	
	D16875	MA2J11100L	DIODE	1	
	D16901	MA3X152E0L	ZENER DIODE	1	
	D16902	MA2J11100L	DIODE	1	
	D16920	MA3X152E0L	ZENER DIODE	1	
	FL3001	J0HABB000003	LC FILTER	1	
	FL3002	J0HABB000003	LC FILTER	1	
	FL3003	J0HABB000004	LC FILTER	1	
	FL3004	J0HABB000004	LC FILTER	1	
	FL3005	J0HABB000004	LC FILTER	1	
	FL9803	FLJ1E104A148	C 0.10UF, Z, 25V	1	
	FL9805	FLJ1E104A148	C 0.10UF, Z, 25V	1	
	FL9806	FLJ1E104A148	C 0.10UF, Z, 25V	1	
	GK1	K1KA02BA0061	2P CONNECTOR	1	
	IC1000	C1ZB20003775	IC	1	
	IC1100	MNZSFH9GP83	IC	1	
	IC1101	TVRQ393	IC	1	
	IC2008	C0DBGY00578	IC	1	
	IC2301	C1AB00002875	IC	1	
	IC2802	C0DBAY00462	IC	1	
	IC2960	C0DBGH00001	IC	1	
	IC3001	C1AB00002855	IC	1	
	IC3003	C0DBGY00281	IC	1	
	IC4510	C1AB00003045	IC	1	
	IC4511	C0DBGY00578	IC	1	
	IC4512	C0CBAG00039	IC	1	
	IC4513	C0DBGY00618	IC	1	
	IC5401	C0CBZZE00001	IC	1	
	IC5470	COEBM0000026	IC	1	

Safety	Ref. No.	Part No.	Part Name & Description	Pcs	Remarks
	IC5480	C1ZBZ0003972	IC	1	
	IC5600	C0DBAYY00480	IC	1	
	IC5601	C0DBAYY00480	IC	1	
	IC8001	MN2WS0059	IC	1	
	IC8002	C3ABTG000007	IC	1	
	IC8003	C3ABTG000007	IC	1	
	IC8004	C0ZBZ0001567	IC	1	
	IC8502	TVRQ439AB	IC	1	PAVCSG
	IC8580	TVRQ371AD	IC	1	PAVCSG
	IC9001	TVRQ386	IC	1	PAVCSG
	IC9003	MNZSFH8KPF4	IC	1	
	IC9004	C1ZBZ0003983	IC	1	
	IC9300	MN84528	IC	1	
	IC9303	TVRQ757	IC	1	PAVCSG
	IC9500	C1ZBZ0003760	IC	1	
	IC9805	C0DBAYY00477	IC	1	
	IC9806	C0DBAYY00478	IC	1	
	IC9807	C0DBAYY00477	IC	1	
	IC9808	C0CBCAC00365	IC	1	
	IC9902	C3ABRY000040	IC	1	
	IC9903	C3ABRY000040	IC	1	
	IC16131	C0ZBZ0000895	IC	1	
	IC16151	C0ZBZ0001324	IC	1	
	IC16241	C0JBAZ002811	IC	1	
	IC16251	C0BBBA000024	IC	1	
	IC16304	MIP3900MSSCF	IC	1	
	IC16312	C0DBZMC00006	IC	1	
	IC16464	C0JBAB000715	IC	1	
	IC16465	C0JBAB000715	IC	1	
	IC16471	C0DBEKA00003	IC	1	
	IC16490	C0DBZMC00006	IC	1	
	IC16491	NJM2406F	LINEAR IC	1	
	IC16501	C0ZBZ0001324	IC	1	
	IC16521	C0ZBZ0001324	IC	1	
	IC16561	C0JBAZ001120	IC	1	
	IC16562	C0JBAZ001120	IC	1	
	IC16563	C0JBAB000388	IC	1	
	IC16564	C0JBAB000715	IC	1	
	IC16581	C0BBBA000024	IC	1	
	IC16661	C0BBBA000024	IC	1	
	IC16691	C0JBAC000363	IC	1	
	IC16692	C0DBZMC00006	IC	1	
	IC16724	C0CBADC00072	IC	1	
	IC16725	C0CBADC00072	IC	1	
	IC16771	C0CBADC00072	IC	1	
	IC16773	C0JBAB000715	IC	1	
	IC16784	MIP9L02MBS	IC	1	
	IC16786	MIP3900MSSCF	IC	1	
	IC16787	C0DBZMC00006	IC	1	
	IC16788	MIP3900MSSCF	IC	1	
	IC16789	C0DBZMC00006	IC	1	
	IC16791	N0BF2GB00001	IC	1	
	IC16792	NJM2406F	LINEAR IC	1	
	IC16793	C0DBZMC00006	IC	1	
	IC16801	C0DBZMC00006	IC	1	
	IC16920	C0BBBA000024	IC	1	
	IC17201	C0JBAU000073	IC	1	
	IC17300	C0JBAU000073	IC	1	
	IC17302	C0JBAZ001120	IC	1	
	JK3001	K1FY115B0021	CONNECTOR	1	
	JK4500	K1FY119D0006	CONNECTOR	1	
	JK4501	K1FY119D0006	CONNECTOR	1	
	JK4502	K1FY119E0005	CONNECTOR	1	
	JK8302	K1NA09E00080	9P CONNECTOR	1	
	JK3100B	K1U927A00006	CONNECTOR UNIT	1	
	JK3107C	K4AK13B00003	TERMINAL BOARD	1	
	K1	K1KA11B00092	11P CONNECTOR	1	
	L1100	J0JYC0000068	CHIP INDUCTOR	1	
	L2001	G1C150KA0038	INDUCTION COIL	1	
	L2010	G1C220MA0291	INDUCTION COIL	1	

Safety	Ref. No.	Part No.	Part Name & Description	Pcs	Remarks
	L2012	G1C220MA0291	INDUCTION COIL	1	
	L2014	G1C220MA0291	INDUCTION COIL	1	
	L2016	G1C220MA0291	INDUCTION COIL	1	
	L2018	J0JHC0000042	CHIP INDUCTOR	1	
	L2023	G1C3R0ZA0156	INDUCTION COIL	1	
	L2032	J0JYC0000068	CHIP INDUCTOR	1	
	L2870	G1C101M00029	INDUCTION COIL	1	
	L2901	J0JCC0000278	CHIP INDUCTOR	1	
	L2904	J0JCC0000269	CHIP INDUCTOR	1	
	L3002	J0JCC0000287	CHIP INDUCTOR	1	
	L3003	J0JCC0000287	CHIP INDUCTOR	1	
	L3006	J0JCC0000287	CHIP INDUCTOR	1	
	L3007	J0JCC0000287	CHIP INDUCTOR	1	
	L3014	J0JCC0000287	CHIP INDUCTOR	1	
	L3015	J0JCC0000287	CHIP INDUCTOR	1	
	L3017	J0JCC0000287	CHIP INDUCTOR	1	
	L3018	J0JCC0000287	CHIP INDUCTOR	1	
	L3023	J0JCC0000287	CHIP INDUCTOR	1	
	L3024	J0JCC0000287	CHIP INDUCTOR	1	
	L3028	J0JCC0000287	CHIP INDUCTOR	1	
	L3029	J0JCC0000287	CHIP INDUCTOR	1	
	L3030	J0JCC0000287	CHIP INDUCTOR	1	
	L3034	J0JCC0000364	CHIP INDUCTOR	1	
	L3035	J0JCC0000364	CHIP INDUCTOR	1	
	L3036	J0JCC0000287	CHIP INDUCTOR	1	
	L3037	J0JCC0000287	CHIP INDUCTOR	1	
	L3038	J0JCC0000287	CHIP INDUCTOR	1	
	L4502	J0JYC0000068	CHIP INDUCTOR	1	
	L4503	J0JYC0000068	CHIP INDUCTOR	1	
	L4504	J0JYC0000068	CHIP INDUCTOR	1	
	L4505	J0JYC0000068	CHIP INDUCTOR	1	
	L4506	J0JYC0000068	CHIP INDUCTOR	1	
	L4507	J0JYC0000068	CHIP INDUCTOR	1	
	L4511	J0JYC0000068	CHIP INDUCTOR	1	
	L4512	J0JCC0000059	CHIP INDUCTOR	1	
	L4513	J0JCC0000059	CHIP INDUCTOR	1	
	L4514	J0JYC0000068	CHIP INDUCTOR	1	
	L4515	J0JYC0000068	CHIP INDUCTOR	1	
	L4516	J0JYC0000068	CHIP INDUCTOR	1	
	L4517	J0JYC0000068	CHIP INDUCTOR	1	
	L4518	J0JYC0000068	CHIP INDUCTOR	1	
	L4519	J0JYC0000068	CHIP INDUCTOR	1	
	L4521	J0JYC0000068	CHIP INDUCTOR	1	
	L4522	J0JYC0000068	CHIP INDUCTOR	1	
	L4523	J0JYC0000068	CHIP INDUCTOR	1	
	L5480	J0JYC0000068	CHIP INDUCTOR	1	
	L5481	G1C100MA0072	INDUCTION COIL	1	
	L5544	G1C470MA0291	INDUCTION COIL	1	
	L5600	G1C2R2Z00007	INDUCTION COIL	1	
	L5601	G1C3R3Z00004	INDUCTION COIL	1	
	L5602	G1C4R7Z00014	INDUCTION COIL	1	
	L5603	G1C6R8Z00008	INDUCTION COIL	1	
	L5604	G1C100MA0203	INDUCTION COIL	1	
	L5605	J0JHC0000075	CHIP INDUCTOR	1	
	L5606	G1C100MA0203	INDUCTION COIL	1	
	L8001	J0JHC0000045	CHIP INDUCTOR	1	
	L8002	J0JHC0000045	CHIP INDUCTOR	1	
	L8003	J0JHC0000045	CHIP INDUCTOR	1	
	L8004	J0JHC0000045	CHIP INDUCTOR	1	
	L8005	J0JHC0000045	CHIP INDUCTOR	1	
	L8007	J0JHC0000045	CHIP INDUCTOR	1	
	L8008	J0JHC0000045	CHIP INDUCTOR	1	
	L8009	J0JHC0000045	CHIP INDUCTOR	1	
	L8010	J0JHC0000045	CHIP INDUCTOR	1	
	L8011	J0JHC0000045	CHIP INDUCTOR	1	
	L8012	J0JHC0000045	CHIP INDUCTOR	1	
	L8013	J0JHC0000045	CHIP INDUCTOR	1	
	L8501	J0JHC0000045	CHIP INDUCTOR	1	
	L8580	J0JHC0000075	CHIP INDUCTOR	1	
	L9001	G1C3R3Z00004	INDUCTION COIL	1	
	L9002	G1C6R8Z00008	INDUCTION COIL	1	
	L9700	J0JHC0000117	CHIP INDUCTOR	1	
	L9701	J0JHC0000117	CHIP INDUCTOR	1	

Safety	Ref. No.	Part No.	Part Name & Description	Pcs	Remarks
	L9802	G1C6R8Z00010	INDUCTION COIL	1	
	L9900	J0JHC0000117	CHIP INDUCTOR	1	
	L9901	J0JHC0000117	CHIP INDUCTOR	1	
	L9903	J0JHC0000117	CHIP INDUCTOR	1	
	L9904	J0JHC0000117	CHIP INDUCTOR	1	
	L16002	G0C1R1KA0206	PEAKING COIL	1	
	L16004	G0C1R1KA0206	PEAKING COIL	1	
	L16005	G0C1R1KA0206	PEAKING COIL	1	
	L16012	G0C1R1KA0206	PEAKING COIL	1	
	L16014	G0C1R1KA0206	PEAKING COIL	1	
	L16015	G0C1R1KA0206	PEAKING COIL	1	
	L16103	G0ZZ00002183	PEAKING COIL	1	
	L16222	G0ZZ00002183	PEAKING COIL	1	
	L16271	G0ZZ00002183	PEAKING COIL	1	
	L16303	G0C471KA0167	PEAKING COIL	1	
	L16402	G0CR74KA0206	PEAKING COIL	1	
	L16406	G0CR74KA0206	PEAKING COIL	1	
	L16412	G0CR74KA0206	PEAKING COIL	1	
	L16416	G0CR74KA0206	PEAKING COIL	1	
	L16472	G0ZZ00002183	PEAKING COIL	1	
	L16697	G0C102KA0187	PEAKING COIL	1	
	L16698	G0C681MA0065	PEAKING COIL	1	
	L16699	G0C471KA0167	PEAKING COIL	1	
	L16851	G0ZZ00002183	PEAKING COIL	1	
	PA5600	K5H5022A0031	FUSE	1	
	PC2511	B3JB00000046	IC	1	
	PC16191	B3PBA0000496	IC	1	
	PC16301	B3PBA0000498	IC	1	
	PC16461	B3PBA0000457	IC	1	
	PC16480	B3PBA0000498	IC	1	
	PC16601	B3PBA0000498	IC	1	
	PC16603	B3PBA0000498	IC	1	
	PC16684	B3PBA0000496	IC	1	
	PC16685	B3PBA0000496	IC	1	
	PC16722	B3PBA0000498	IC	1	
	PC16723	B3PBA0000498	IC	1	
	PC16896	B3PBA0000498	IC	1	
△	PCB	TXNGK1EQUM	CIRCUIT BOARD GK	1	(RTL) PAVCSG
△	PCB	TZTNP01HVUM	CIRCUIT BOARD A	1	(RTL) PAVCSG
△	PCB	ETX2MM747MFG	CIRCUIT BOARD P	1	(RTL) PAVCSG
△	PCB	TXNC11HVUM	CIRCUIT BOARD C1	1	(RTL) PAVCSG
△	PCB	TXNC21HVUM	CIRCUIT BOARD C2	1	(RTL) PAVCSG
△	PCB	TXNC31HVUM	CIRCUIT BOARD C3	1	(RTL) PAVCSG
△	PCB	TXNSC1HVUM	CIRCUIT BOARD SC	1	(RTL) PAVCSG
△	PCB	TXNSD1HVUM	CIRCUIT BOARD SD	1	PAVCSG
△	PCB	TXNSS1HVUM	CIRCUIT BOARD SS	1	(RTL) PAVCSG
△	PCB	TXNSS21HVUM	CIRCUIT BOARD SS2	1	(RTL) PAVCSG
△	PCB	TXNSU1HVUM	CIRCUIT BOARD SU	1	PAVCSG
△	PCB	TXN/S1EQUM	CIRCUIT BOARD S	1	(RTL) PAVCSG
△	PCB	TXN/K1EQUM	CIRCUIT BOARD K	1	(RTL) PAVCSG
	Q0900	B1CBHD000002	FET	1	
	Q0901	B1CBHD000002	FET	1	
	Q2001	B1ABCF000231	TRANSISTOR	1	
	Q2022	2SB0709ARL	TRANSISTOR	1	
	Q2063	2SD0601ASL	TRANSISTOR	1	
	Q2064	2SD0601ASL	TRANSISTOR	1	
	Q2065	2SB0709ASL	TRANSISTOR	1	
	Q2510	2SD0601ARL	TRANSISTOR	1	
	Q2511	2SD0601ARL	TRANSISTOR	1	
	Q2513	2SD0601ARL	TRANSISTOR	1	

Safety	Ref. No.	Part No.	Part Name & Description	Pcs	Remarks
	Q3000	B1ABCF000231	TRANSISTOR	1	
	Q3001	B1ABCF000231	TRANSISTOR	1	
	Q4500	B1ABCF000231	TRANSISTOR	1	
	Q4501	B1ABCF000231	TRANSISTOR	1	
	Q4514	2SB0709ASL	TRANSISTOR	1	
	Q4515	2SB0709ASL	TRANSISTOR	1	
	Q4516	2SB0709ASL	TRANSISTOR	1	
	Q4517	2SB0709ASL	TRANSISTOR	1	
	Q4520	B1ABCF000231	TRANSISTOR	1	
	Q4533	B1ABCF000231	TRANSISTOR	1	
	Q4534	B1ABCF000231	TRANSISTOR	1	
	Q4535	B1ABCF000231	TRANSISTOR	1	
	Q5480	2SB0709ARL	TRANSISTOR	1	
	Q5600	B1MBDDA00003	FET	1	
	Q5601	B1MBDDA00003	FET	1	
	Q5602	B1MBDDA00003	FET	1	
	Q5603	B1MBDDA00003	FET	1	
	Q5606	2SD0601ARL	TRANSISTOR	1	
	Q5607	2SD0601ARL	TRANSISTOR	1	
	Q5608	2SB0709ARL	TRANSISTOR	1	
	Q9000	B1ABCF000231	TRANSISTOR	1	
	Q9001	B1ABCF000231	TRANSISTOR	1	
	Q9002	B1ABCF000231	TRANSISTOR	1	
	Q9003	B1ABCF000231	TRANSISTOR	1	
	Q9004	B1ABCF000231	TRANSISTOR	1	
	Q9301	2SD0601ARL	TRANSISTOR	1	
	Q9302	2SD0601ARL	TRANSISTOR	1	
	Q9807	2SD0601ARL	TRANSISTOR	1	
	Q16001	B1JADN000006	TRANSISTOR	1	
	Q16002	B1JADN000006	TRANSISTOR	1	
	Q16022	B1JADN000006	TRANSISTOR	1	
	Q16023	B1JADN000006	TRANSISTOR	1	
	Q16041	B1JAEN000007	TRANSISTOR	1	
	Q16051	B1JAEN000007	TRANSISTOR	1	
	Q16055	B1HFPPA00001	TRANSISTOR	1	
	Q16056	B1HFPPA00001	TRANSISTOR	1	
	Q16101	2SK399500L	FET	1	
	Q16102	2SK399500L	FET	1	
	Q16141	B1HFPPA00001	TRANSISTOR	1	
	Q16161	B1HFPPA00001	TRANSISTOR	1	
	Q16191	B1HFPPA00001	TRANSISTOR	1	
	Q16251	2SD0601ARL	TRANSISTOR	1	
	Q16280	2SD0601ARL	TRANSISTOR	1	
	Q16401	2PG0110000RP	TRANSISTOR	1	
	Q16402	2PG0110000RP	TRANSISTOR	1	
	Q16421	B1JADP000004	TRANSISTOR	1	
	Q16422	B1JADP000004	TRANSISTOR	1	
	Q16441	B1JAEP000006	TRANSISTOR	1	
	Q16451	B1JAEP000006	TRANSISTOR	1	
	Q16471	B1ABCF000231	TRANSISTOR	1	
	Q16490	B1CBGD000001	FET	1	
	Q16501	B1HFPPA00001	TRANSISTOR	1	
	Q16521	B1HFPPA00001	TRANSISTOR	1	
	Q16531	B1HFPPA00001	TRANSISTOR	1	
	Q16551	B1HFPPA00001	TRANSISTOR	1	
	Q16601	B1CERR000025	FET	1	
	Q16602	2SD0601AQL	TRANSISTOR	1	
	Q16603	2SB0709ASL	TRANSISTOR	1	
	Q16604	B1CHPM000001	FET	1	
	Q16606	2SD0601AQL	TRANSISTOR	1	
	Q16607	B1CBGD000001	FET	1	
	Q16608	B1CBGD000001	FET	1	
	Q16621	B1JADN000004	TRANSISTOR	1	
	Q16622	B1JADN000004	TRANSISTOR	1	
	Q16624	2SB0709ASL	TRANSISTOR	1	
	Q16645	2SD0601AQL	TRANSISTOR	1	
	Q16646	2SB0709ASL	TRANSISTOR	1	
	Q16647	B1CBGD000001	FET	1	
	Q16649	B1ABCN000007	TRANSISTOR	1	
	Q16660	B1CERR000025	FET	1	
	Q16661	B1JAER000003	TRANSISTOR	1	
	Q16662	2SD0601AQL	TRANSISTOR	1	
	Q16663	2SB0709ASL	TRANSISTOR	1	

Safety	Ref. No.	Part No.	Part Name & Description	Pcs	Remarks
	Q16667	2SB0709ARL	TRANSISTOR	1	
	Q16668	2SD0601AQL	TRANSISTOR	1	
	Q16670	B1ADCN000007	TRANSISTOR	1	
	Q16671	B1ABCF000231	TRANSISTOR	1	
	Q16675	B1ADCN000007	TRANSISTOR	1	
	Q16676	B1ABCF000231	TRANSISTOR	1	
	Q16677	2SD0601AQL	TRANSISTOR	1	
	Q16678	B1ABCF000231	TRANSISTOR	1	
	Q16701	B1ADCN000007	TRANSISTOR	1	
	Q16702	B1ABCF000231	TRANSISTOR	1	
	Q16743	2SD0601ARL	TRANSISTOR	1	
	Q16762	B1HFPPA00001	TRANSISTOR	1	
	Q16801	B1ADCN000007	TRANSISTOR	1	
	Q16810	B1ABCF000231	TRANSISTOR	1	
	Q16815	B1ABCN000007	TRANSISTOR	1	
	Q16816	2SD0601AQL	TRANSISTOR	1	
	Q16817	B1CBGD000001	FET	1	
	Q16818	B1CBGD000001	FET	1	
	Q16874	B1CBGD000001	FET	1	
	Q16875	B1ABCF000231	TRANSISTOR	1	
	Q16876	B1ABCF000231	TRANSISTOR	1	
	Q16882	B1ABCF000231	TRANSISTOR	1	
	Q16884	2SD0601ARL	TRANSISTOR	1	
	Q16920	B1ABCN000007	TRANSISTOR	1	
	R0180	ERJ2GEJ101	M 100 OHM, J, 0.063W	1	
	R606	ERJ2GEJ223	M 22KOHM, J, 0.063W	1	
	R607	ERJ2GEJ473	M 47KOHM, J, 0.063W	1	
	R0900	ERJ2GEJ680	M 68 OHM, J, 0.063W	1	
	R0901	EXB28V680JX	RESISTOR ARRAY	1	
	R0902	ERJ2GEJ102X	M 1K OHM J 1/4W	1	
	R0905	ERJ2GEJ103	M 10KOHM, J, 0.063W	1	
	R0906	ERJ2GEJ103	M 10KOHM, J, 0.063W	1	
	R0907	ERJ2GEJ103	M 10KOHM, J, 0.063W	1	
	R0909	ERJ2GEJ220	M 22 OHM, J, 0.063W	1	
	R0910	ERJ2GEJ220	M 22 OHM, J, 0.063W	1	
	R0911	ERJ2GEJ220	M 22 OHM, J, 0.063W	1	
	R0912	ERJ2GEJ220	M 22 OHM, J, 0.063W	1	
	R0913	ERJ2GEJ220	M 22 OHM, J, 0.063W	1	
	R0914	ERJ2GEJ220	M 22 OHM, J, 0.063W	1	
	R0915	ERJ2GEJ472	M 4.7KOHM, J, 0.063W	1	
	R0916	ERJ2GEJ472	M 4.7KOHM, J, 0.063W	1	
	R0917	ERJ2GEJ220	M 22 OHM, J, 0.063W	1	
	R0918	ERJ2GEJ220	M 22 OHM, J, 0.063W	1	
	R0919	ERJ2GEJ220	M 22 OHM, J, 0.063W	1	
	R0920	ERJ2GEJ220	M 22 OHM, J, 0.063W	1	
	R0921	ERJ2GEJ220	M 22 OHM, J, 0.063W	1	
	R0922	ERJ2GEJ220	M 22 OHM, J, 0.063W	1	
	R0923	ERJ2RHD682X	M 6.8KOHM, J, 2W	1	
	R0924	ERJ2RHD682X	M 6.8KOHM, J, 2W	1	
	R0925	ERJ2GEJ220	M 22 OHM, J, 0.063W	1	
	R0926	ERJ2GEJ220	M 22 OHM, J, 0.063W	1	
	R0929	ERJ2GEJ220	M 22 OHM, J, 0.063W	1	

Safety	Ref. No.	Part No.	Part Name & Description	Pcs	Remarks
	R0930	ERJ2GEJ220	M 22 OHM, J, 0.063W	1	
	R0933	D0YAR0000007	M 0 OHM 1/4W	1	
	R0934	D0YAR0000007	M 0 OHM 1/4W	1	
	R0935	ERJ2GEJ220	M 22 OHM, J, 0.063W	1	
	R0936	ERJ2GEJ220	M 22 OHM, J, 0.063W	1	
	R0945	ERJ2GEJ220	M 22 OHM, J, 0.063W	1	
	R0946	ERJ2GEJ220	M 22 OHM, J, 0.063W	1	
	R0947	ERJ2GEJ680	M 68 OHM, J, 0.063W	1	
	R0948	ERJ2GEJ680	M 68 OHM, J, 0.063W	1	
	R0949	ERJ2GEJ680	M 68 OHM, J, 0.063W	1	
	R0950	ERJ2GEJ680	M 68 OHM, J, 0.063W	1	
	R0951	ERJ2GEJ680	M 68 OHM, J, 0.063W	1	
	R0952	ERJ2GEJ680	M 68 OHM, J, 0.063W	1	
	R0953	ERJ2GEJ680	M 68 OHM, J, 0.063W	1	
	R0954	ERJ2GEJ680	M 68 OHM, J, 0.063W	1	
	R0955	ERJ2GEJ472	M 4.7KOHM, J, 0.063W	1	
	R0956	ERJ2GEJ472	M 4.7KOHM, J, 0.063W	1	
	R0957	ERJ2GEJ472	M 4.7KOHM, J, 0.063W	1	
	R0958	ERJ2GEJ472	M 4.7KOHM, J, 0.063W	1	
	R0959	ERJ2GEJ472	M 4.7KOHM, J, 0.063W	1	
	R0960	ERJ2GEJ472	M 4.7KOHM, J, 0.063W	1	
	R0961	ERJ2GEJ472	M 4.7KOHM, J, 0.063W	1	
	R0962	ERJ2GEJ472	M 4.7KOHM, J, 0.063W	1	
	R1010	D0GB103JA041	M 10K OHM J 1/ 16W	1	
	R1146	D0YAR0000007	M 0 OHM 1/4W	1	
	R1153	ERJ2GEJ681	M 680 OHM, J, 0.063W	1	
	R1163	ERJ2GEJ105	M 1MOHM, J, 0.063W	1	
	R1173	ERJ2GEJ331	M 330 OHM, J, 0.063W	1	
	R1179	D0YAR0000007	M 0 OHM 1/4W	1	
	R1181	D0YAR0000007	M 0 OHM 1/4W	1	
	R1182	ERJ2GED273X	M 27KOHM , J, 0.063W	1	
	R1197	D0YAR0000007	M 0 OHM 1/4W	1	
	R1203	ERJ2GEJ473	M 47KOHM, J, 0.063W	1	
	R1209	ERJ2GEJ472	M 4.7KOHM, J, 0.063W	1	
	R1221	D1BB7151A055	M7.15KOHM, 1/10W	1	
	R1224	ERJ2GEJ103	M 10KOHM, J, 0.063W	1	
	R1225	ERJ2GEJ103	M 10KOHM, J, 0.063W	1	
	R1236	ERJ2GEJ473	M 47KOHM, J, 0.063W	1	
	R1237	ERJ2GEJ102X	M 1K OHM J 1/4W	1	
	R1243	ERJ2GEJ473	M 47KOHM, J, 0.063W	1	
	R1255	ERJ2GEJ102X	M 1K OHM J 1/4W	1	
	R1400	ERJ2GEJ103	M 10KOHM, J, 0.063W	1	
	R1401	ERJ2GEJ104	M 100KOHM, J, 0.063W	1	
	R1402	ERJ2GEJ683	M 68KOHM, J, 0.063W	1	

Safety	Ref. No.	Part No.	Part Name & Description	Pcs	Remarks
	R1403	ERJ2GEJ333	M 33KOHM, J, 0.063W	1	
	R1404	ERJ2GEJ683	M 68KOHM, J, 0.063W	1	
	R1405	ERJ2GEJ333	M 33KOHM, J, 0.063W	1	
	R1406	ERJ2GEJ683	M 68KOHM, J, 0.063W	1	
	R1407	ERJ2GEJ473	M 47KOHM, J, 0.063W	1	
	R1410	ERJ2GEJ103	M 10KOHM, J, 0.063W	1	
	R1411	ERJ2GEJ104	M 100KOHM, J, 0.063W	1	
	R1413	ERJ2GEJ473	M 47KOHM, J, 0.063W	1	
	R2002	ERJ2GEJ102X	M 1K OHM J 1/4W	1	
	R2003	ERJ2GEJ105	M 1MOHM, J, 0.063W	1	
	R2006	ERJ2GEJ471	M 470 OHM, J, 0.063W	1	
	R2007	ERJ2GEJ221	M 220 OHM, J, 0.063W	1	
	R2008	ERJ2GEJ471	M 470 OHM, J, 0.063W	1	
	R2015	ERJ2GEJ103	M 10KOHM, J, 0.063W	1	
	R2016	ERJ2GEJ103	M 10KOHM, J, 0.063W	1	
	R2017	ERJ2GEJ103	M 10KOHM, J, 0.063W	1	
	R2018	ERJ2GEJ103	M 10KOHM, J, 0.063W	1	
	R2019	D1BB2002A055	M 20KOHM, 1/10W	1	
	R2020	D1BB2001A055	M 2KOHM, 1/10W	1	
	R2023	ERJ2GEJ103	M 10KOHM, J, 0.063W	1	
	R2032	DOYAR0000007	M 0 OHM 1/4W	1	
	R2047	D1BB2802A055	M 28KOHM, 1/10W	1	
	R2048	D1BB2802A055	M 28KOHM, 1/10W	1	
	R2050	D1BB2802A055	M 28KOHM, 1/10W	1	
	R2051	D1BB2802A055	M 28KOHM, 1/10W	1	
	R2063	DOYAR0000007	M 0 OHM 1/4W	1	
	R2064	DOYAR0000007	M 0 OHM 1/4W	1	
	R2092	ERJ2GEJ103	M 10KOHM, J, 0.063W	1	
	R2093	ERJ2GEJ103	M 10KOHM, J, 0.063W	1	
	R2110	ERJ2GEJ101	M 100 OHM, J, 0.063W	1	
	R2111	ERJ2GEJ101	M 100 OHM, J, 0.063W	1	
	R2114	ERJ2GEJ222	M 2.2KOHM, J, 0.063W	1	
	R2115	ERJ2GEJ222	M 2.2KOHM, J, 0.063W	1	
	R2118	ERJ2GEJ471	M 470 OHM, J, 0.063W	1	
	R2119	ERJ2GEJ105	M 1MOHM, J, 0.063W	1	
	R2120	ERJ2GEJ473	M 47KOHM, J, 0.063W	1	
	R2121	ERJ8GEYJ3R3V	M 3.3 OHM, J, 1/8W	1	
	R2122	ERJ2GEJ101	M 100 OHM, J, 0.063W	1	
	R2123	ERJ8GEYJ3R3V	M 3.3 OHM, J, 1/8W	1	
	R2124	ERJ2GEJ103	M 10KOHM, J, 0.063W	1	
	R2125	ERJ8GEYJ3R3V	M 3.3 OHM, J, 1/8W	1	
	R2127	ERJ8GEYJ3R3V	M 3.3 OHM, J, 1/8W	1	
	R2129	ERJ2GEJ100	M 10 OHM, J, 0.063W	1	
	R2132	ERJ2GEJ471	M 470 OHM, J, 0.063W	1	
	R2137	ERJ2GEJ100	M 10 OHM, J, 0.063W	1	

Safety	Ref. No.	Part No.	Part Name & Description	Pcs	Remarks
	R2141	ERJ2GEJ102X	M 1K OHM J 1/4W	1	
	R2142	ERJ2GEJ222	M 2.2KOHM, J, 0.063W	1	
	R2172	ERJ2GEJ680	M 68 OHM, J, 0.063W	1	
	R2190	ERJ2GEJ472	M 4.7KOHM, J, 0.063W	1	
	R2316	EXB28V220J	RESISTOR ARRAY	1	
	R2325	DOYAR0000007	M 0 OHM 1/4W	1	
	R2516	ERJ3GEYJ223	M 22KOHM, J, 1/16W	1	
	R2517	ERJ3GEYJ470	M 47 OHM, J, 1/16W	1	
	R2520	ERJ3GEYJ224	M 220KOHM, J, 1/16W	1	
	R2524	ERJ3GEYJ223	M 22KOHM, J, 1/16W	1	
	R2525	D1BB7500A055	M 750 OHM, 1/10W	1	
	R2530	DOGB473JA057	M 47KOHM, J, 1/16W	1	
	R2531	D1BB2700A055	M 270 OHM, 1/10W	1	
	R2542	DOGB473JA057	M 47KOHM, J, 1/16W	1	
	R2556	DOGB103JA041	M 10K OHM J 1/16W	1	
	R2557	ERJ3GEYJ223	M 22KOHM, J, 1/16W	1	
	R2756	ERJ2GEJ101	M 100 OHM, J, 0.063W	1	
	R2816	ERJ2GEJ473	M 47KOHM, J, 0.063W	1	
	R2832	ERJ2GEJ473	M 47KOHM, J, 0.063W	1	
	R2870	ERJ2GEJ390	M 39 OHM, J, 0.063W	1	
	R2871	ERJ2GEJ103	M 10KOHM, J, 0.063W	1	
	R2872	ERJ2GEJ683	M 68KOHM, J, 0.063W	1	
	R2873	DOYAR0000007	M 0 OHM 1/4W	1	
	R2874	ERJ2GEJ103	M 10KOHM, J, 0.063W	1	
	R2875	ERJ2GEJ203X	M 20KOHM, J, 0.063W	1	
	R2905	DOYAR0000007	M 0 OHM 1/4W	1	
	R2915	ERJ2GEJ221	M 220 OHM, J, 0.063W	1	
	R2916	DOGBR00Z0002	M 0 OHM J 1/16W	1	
	R2930	ERJ2GEJ153	M 15KOHM, J, 0.063W	1	
	R2940	DOYAR0000007	M 0 OHM 1/4W	1	
	R2960	ERJ2GEJ103	M 10KOHM, J, 0.063W	1	
	R3000	ERJ2GEJ223	M 22KOHM, J, 0.063W	1	
	R3001	ERJ2GEJ223	M 22KOHM, J, 0.063W	1	
	R3002	ERJ2GEJ223	M 22KOHM, J, 0.063W	1	
	R3003	ERJ2GEJ223	M 22KOHM, J, 0.063W	1	
	R3004	ERJ2GEJ223	M 22KOHM, J, 0.063W	1	
	R3005	ERJ2GEJ223	M 22KOHM, J, 0.063W	1	
	R3014	ERJ2GEJ103	M 10KOHM, J, 0.063W	1	
	R3019	ERJ2GEJ222	M 2.2KOHM, J, 0.063W	1	
	R3021	ERJ2GEJ222	M 2.2KOHM, J, 0.063W	1	
	R3024	ERJ2GEJ104	M 100KOHM, J, 0.063W	1	
	R3025	ERJ2GEJ104	M 100KOHM, J, 0.063W	1	
	R3033	ERJ2GEJ221	M 220 OHM, J, 0.063W	1	
	R3034	ERJ2GEJ221	M 220 OHM, J, 0.063W	1	
	R3043	ERJ2GEJ221	M 220 OHM, J, 0.063W	1	
	R3045	ERJ2GEJ221	M 220 OHM, J, 0.063W	1	
	R3047	ERJ2GEJ221	M 220 OHM, J, 0.063W	1	

Safety	Ref. No.	Part No.	Part Name & Description	Pcs	Remarks
	R3048	ERJ2GEJ221	M 220 OHM, J,0.063W	1	
	R3049	ERJ2GEJ221	M 220 OHM, J,0.063W	1	
	R3050	ERJ2GEJ221	M 220 OHM, J,0.063W	1	
	R3051	ERJ2GEJ221	M 220 OHM, J,0.063W	1	
	R3052	ERJ2GEJ221	M 220 OHM, J,0.063W	1	
	R3075	ERJ6RED750	M 75 OHM, 1/10W	1	
	R3076	ERJ6RED750	M 75 OHM, 1/10W	1	
	R3077	ERJ6RED750	M 75 OHM, 1/10W	1	
	R3084	ERJ6RED750	M 75 OHM, 1/10W	1	
	R3094	D0YAR0000007	M 0 OHM 1/4W	1	
	R3097	ERJ6RED750	M 75 OHM, 1/10W	1	
	R3103	ERJ2GEJ472	M 4.7KOHM, J,0.063W	1	
	R3112	D0YAR0000007	M 0 OHM 1/4W	1	
	R3113	D0YAR0000007	M 0 OHM 1/4W	1	
	R3116	ERJ2GEJ221	M 220 OHM, J,0.063W	1	
	R3117	ERJ2GEJ221	M 220 OHM, J,0.063W	1	
	R3118	ERJ2GEJ221	M 220 OHM, J,0.063W	1	
	R3120	ERJ2GEJ331	M 330 OHM, J,0.063W	1	
	R3125	ERJ2GEJ221	M 220 OHM, J,0.063W	1	
	R3128	ERJ2GEJ221	M 220 OHM, J,0.063W	1	
	R3138	ERJ2GEJ820	M 82 OHM, J,0.063W	1	
	R3139	ERJ2GEJ820	M 82 OHM, J,0.063W	1	
	R3140	ERJ2GEJ820	M 82 OHM, J,0.063W	1	
	R3146	ERJ2GEJ331	M 330 OHM, J,0.063W	1	
	R3147	ERJ2GEJ472	M 4.7KOHM, J,0.063W	1	
	R3148	ERJ6RED750	M 75 OHM, 1/10W	1	
	R3149	ERJ6RED750	M 75 OHM, 1/10W	1	
	R3151	ERJ2GEJ220	M 22 OHM, J,0.063W	1	
	R3152	ERJ2GEJ220	M 22 OHM, J,0.063W	1	
	R3167	ERJ6RED750	M 75 OHM, 1/10W	1	
	R3169	ERJ2GEJ104	M 100KOHM, J,0.063W	1	
	R3182	D0YAR0000007	M 0 OHM 1/4W	1	
	R3187	ERJ6RED750	M 75 OHM, 1/10W	1	
	R3188	ERJ6RED750	M 75 OHM, 1/10W	1	
	R3189	ERJ2GEJ680	M 68 OHM, J,0.063W	1	
	R3190	ERJ2GEJ680	M 68 OHM, J,0.063W	1	
	R3191	ERJ2GEJ680	M 68 OHM, J,0.063W	1	
	R3201	ERJ2GEJ221	M 220 OHM, J,0.063W	1	
	R3218	D0YAR0000007	M 0 OHM 1/4W	1	
	R3223	ERJ2GEJ680	M 68 OHM, J,0.063W	1	
	R3225	ERJ2GEJ680	M 68 OHM, J,0.063W	1	
	R3226	ERJ2GEJ472	M 4.7KOHM, J,0.063W	1	
	R3227	ERJ2GEJ472	M 4.7KOHM, J,0.063W	1	
	R3230	ERJ6RED750	M 75 OHM, 1/10W	1	
	R3232	ERJ6RED750	M 75 OHM, 1/10W	1	
	R3234	ERJ6RED750	M 75 OHM, 1/10W	1	
	R3236	ERJ2GEJ680	M 68 OHM, J,0.063W	1	
	R3237	ERJ2GEJ680	M 68 OHM, J,0.063W	1	

Safety	Ref. No.	Part No.	Part Name & Description	Pcs	Remarks
	R3240	ERJ2GEJ221	M 220 OHM, J,0.063W	1	
	R3256	D0GDR00Z0002	M 0 OHM, 1/10W	1	
	R3287	ERJ2GEJ473	M 47KOHM, J,0.063W	1	
	R3288	ERJ2GEJ473	M 47KOHM, J,0.063W	1	
	R3289	D0YAR0000007	M 0 OHM 1/4W	1	
	R3308	ERJ2GEJ223	M 22KOHM, J,0.063W	1	
	R3309	ERJ2GEJ223	M 22KOHM, J,0.063W	1	
	R3310	D0YAR0000007	M 0 OHM 1/4W	1	
	R3311	D0YAR0000007	M 0 OHM 1/4W	1	
	R3312	D0YAR0000007	M 0 OHM 1/4W	1	
	R3313	D0YAR0000007	M 0 OHM 1/4W	1	
	R3770	D1BD1432A044	M14.3KOHM, 1/10W	1	
	R3771	D1BD6651A044	M6.65KOHM, 1/10W	1	
	R3772	D1BD1741A044	M1.74KOHM, 1/10W	1	
	R3775	ERJ6ENF7151	M7.15KOHM, 1/10W	1	
	R4277	ERJ2GEJ103	M 10KOHM, J,0.063W	1	
	R4284	ERJ2GEJ103	M 10KOHM, J,0.063W	1	
	R4285	ERJ2GEJ103	M 10KOHM, J,0.063W	1	
	R4286	ERJ2GEJ103	M 10KOHM, J,0.063W	1	
	R4294	ERJ2GEJ103	M 10KOHM, J,0.063W	1	
	R4300	ERJ2GEJ103	M 10KOHM, J,0.063W	1	
	R4305	ERJ2GEJ473	M 47KOHM, J,0.063W	1	
	R4306	ERJ2GEJ473	M 47KOHM, J,0.063W	1	
	R4500	ERJ2GEJ103	M 10KOHM, J,0.063W	1	
	R4501	ERJ2GEJ103	M 10KOHM, J,0.063W	1	
	R4502	ERJ2RKD330	M 33 OHM, J, 2W	1	
	R4503	ERJ2RKD330	M 33 OHM, J, 2W	1	
	R4504	ERJ2GEJ102X	M 1K OHM J 1/4W	1	
	R4505	ERJ2GEJ102X	M 1K OHM J 1/4W	1	
	R4506	ERJ2GEJ473	M 47KOHM, J,0.063W	1	
	R4507	ERJ2GEJ473	M 47KOHM, J,0.063W	1	
	R4524	ERJ2GEJ103	M 10KOHM, J,0.063W	1	
	R4525	ERJ2GEJ103	M 10KOHM, J,0.063W	1	
	R4528	ERJ2GEJ103	M 10KOHM, J,0.063W	1	
	R4529	ERJ2GEJ103	M 10KOHM, J,0.063W	1	
	R4530	ERJ2GEJ103	M 10KOHM, J,0.063W	1	
	R4531	ERJ2GEJ103	M 10KOHM, J,0.063W	1	
	R4532	ERJ2GEJ473	M 47KOHM, J,0.063W	1	
	R4533	ERJ2GEJ473	M 47KOHM, J,0.063W	1	
	R4534	ERJ2GEJ473	M 47KOHM, J,0.063W	1	
	R4538	ERJ2GEJ473	M 47KOHM, J,0.063W	1	
	R4539	D0YAR0000007	M 0 OHM 1/4W	1	
	R4540	ERJ2GEJ473	M 47KOHM, J,0.063W	1	
	R4541	D0YAR0000007	M 0 OHM 1/4W	1	
	R4542	D0YAR0000007	M 0 OHM 1/4W	1	
	R4543	D0YAR0000007	M 0 OHM 1/4W	1	
	R4552	ERJ2GEJ220	M 22 OHM, J,0.063W	1	
	R4587	D1BB60400001	M 604 OHM, 1/10W	1	
	R4588	D1BB8060A055	M 806 OHM, 1/10W	1	
	R4589	D1BB8060A055	M 806 OHM, 1/10W	1	

Safety	Ref. No.	Part No.	Part Name & Description	Pcs	Remarks
	R4592	D1BB8060A055	M 806 OHM, 1/10W	1	
	R4593	D1BB2201A055	M 2.2KOHM, 1/10W	1	
	R4596	ERJ6GEYJ102V	M 1K OHM J 1/10W	1	
	R4597	ERJ6GEYJ102V	M 1K OHM J 1/10W	1	
	R4598	ERJ6GEYJ102V	M 1K OHM J 1/10W	1	
	R4601	ERJ6GEYJ102V	M 1K OHM J 1/10W	1	
	R4604	DOYAR0000007	M 0 OHM 1/4W	1	
	R4607	DOYAR0000007	M 0 OHM 1/4W	1	
	R4609	DOYAR0000007	M 0 OHM 1/4W	1	
	R4613	DOYAR0000007	M 0 OHM 1/4W	1	
	R4614	DOYAR0000007	M 0 OHM 1/4W	1	
	R4615	DOYAR0000007	M 0 OHM 1/4W	1	
	R4616	DOYAR0000007	M 0 OHM 1/4W	1	
	R4620	ERJ2GEJ473	M 47KOHM, J, 0.063W	1	
	R4623	DOYAR0000007	M 0 OHM 1/4W	1	
	R4624	ERJ2GEJ103	M 10KOHM, J, 0.063W	1	
	R4626	D1BB2200A055	M 220 OHM, 1/10W	1	
	R4627	D1BB2200A055	M 220 OHM, 1/10W	1	
	R4631	D1BB4990A055	M 499 OHM, 1/10W	1	
	R4634	D1BB2200A055	M 220 OHM, 1/10W	1	
	R4635	EXB28V680JX	RESISTOR ARRAY	1	
	R4636	ERJ2GEJ680	M 68 OHM, J, 0.063W	1	
	R4637	ERJ2GEJ473	M 47KOHM, J, 0.063W	1	
	R4638	ERJ2GEJ680	M 68 OHM, J, 0.063W	1	
	R4639	EXB28V680JX	RESISTOR ARRAY	1	
	R4640	EXB28V680JX	RESISTOR ARRAY	1	
	R4641	ERJ2GEJ473	M 47KOHM, J, 0.063W	1	
	R4642	ERJ2GEJ473	M 47KOHM, J, 0.063W	1	
	R4645	ERJ2GEJ680	M 68 OHM, J, 0.063W	1	
	R4646	ERJ2GEJ680	M 68 OHM, J, 0.063W	1	
	R4648	EXB28V680JX	RESISTOR ARRAY	1	
	R4649	EXB28V680JX	RESISTOR ARRAY	1	
	R4650	ERJ2GEJ680	M 68 OHM, J, 0.063W	1	
	R4651	ERJ2GEJ680	M 68 OHM, J, 0.063W	1	
	R4652	ERJ2GEJ473	M 47KOHM, J, 0.063W	1	
	R4656	ERJ2GEJ222	M 2.2KOHM, J, 0.063W	1	
	R4659	DOYAR0000007	M 0 OHM 1/4W	1	
	R4665	ERJ2GEJ473	M 47KOHM, J, 0.063W	1	
	R4666	ERJ2GEJ473	M 47KOHM, J, 0.063W	1	
	R4672	ERJ2GEJ473	M 47KOHM, J, 0.063W	1	
	R4674	ERJ2GEJ103	M 10KOHM, J, 0.063W	1	
	R4677	ERJ2GEJ103	M 10KOHM, J, 0.063W	1	
	R4678	EXB28V680JX	RESISTOR ARRAY	1	
	R4679	EXB28V680JX	RESISTOR ARRAY	1	
	R4698	ERJ2GEJ104	M 100KOHM, J, 0.063W	1	
	R4699	ERJ2GEJ104	M 100KOHM, J, 0.063W	1	
	R4700	ERJ2GEJ473	M 47KOHM, J, 0.063W	1	
	R4707	ERJ2GEJ473	M 47KOHM, J, 0.063W	1	
	R4728	ERJ2GEJ103	M 10KOHM, J, 0.063W	1	
	R4729	ERJ2RKD330	M 33 OHM, J, 2W	1	
	R4732	ERJ2GEJ473	M 47KOHM, J, 0.063W	1	
	R4733	ERJ2GEJ103	M 10KOHM, J, 0.063W	1	
	R4734	ERJ2GEJ102X	M 1K OHM J 1/4W	1	

Safety	Ref. No.	Part No.	Part Name & Description	Pcs	Remarks
	R4735	ERJ2GEJ103	M 10KOHM, J, 0.063W	1	
	R4736	ERJ2GEJ473	M 47KOHM, J, 0.063W	1	
	R4738	ERJ2GEJ473	M 47KOHM, J, 0.063W	1	
	R4739	ERJ2GEJ103	M 10KOHM, J, 0.063W	1	
	R4740	ERJ2GEJ473	M 47KOHM, J, 0.063W	1	
	R4742	DOYAR0000007	M 0 OHM 1/4W	1	
	R4743	DOYAR0000007	M 0 OHM 1/4W	1	
	R4799	EXB28V680JX	RESISTOR ARRAY	1	
	R5470	ERJ2GEJ222	M 2.2KOHM, J, 0.063W	1	
	R5471	ERJ2GEJ101	M 100 OHM, J, 0.063W	1	
	R5472	ERJ2GEJ470	M 47 OHM, J, 0.063W	1	
	R5473	ERJ2GEJ473	M 47KOHM, J, 0.063W	1	
	R5474	ERJ2GEJ103	M 10KOHM, J, 0.063W	1	
	R5475	ERJ2GEJ123	M 12KOHM, J, 0.063W	1	
	R5482	ERJ6GEYJ150V	M 15 OHM, J, 1/10W	1	
	R5484	D1BB3902A055	M 39KOHM, 1/10W	1	
	R5485	ERJ2GEJ101	M 100 OHM, J, 0.063W	1	
	R5486	ERJ2GEJ103	M 10KOHM, J, 0.063W	1	
	R5488	DOYAR0000007	M 0 OHM 1/4W	1	
	R5489	ERJ2RKD330	M 33 OHM, J, 2W	1	
	R5490	ERJ2GEJ473	M 47KOHM, J, 0.063W	1	
	R5491	ERJ2GEJ473	M 47KOHM, J, 0.063W	1	
	R5492	ERJ2GEJ105	M 1MOHM, J, 0.063W	1	
	R5493	ERJ2GEJ203X	M 20KOHM, J, 0.063W	1	
	R5494	ERJ2GEJ103	M 10KOHM, J, 0.063W	1	
	R5496	ERJ2GEJ680	M 68 OHM, J, 0.063W	1	
	R5541	D1BB1003A055	M 100KOHM, 1/10W	1	
	R5542	D1BB3401A055	M 3.4KOHM, 1/10W	1	
	R5543	ERJ6GEYJ153V	M 15KOHM, J, 1/10W	1	
	R5581	ERJ2GEJ473	M 47KOHM, J, 0.063W	1	
	R5582	ERJ2GEJ473	M 47KOHM, J, 0.063W	1	
	R5600	D1BB3901A055	M 3.9KOHM, 1/10W	1	
	R5604	D1BB2402A055	M 24KOHM, 1/10W	1	
	R5605	D1BB3901A055	M 3.9KOHM, 1/10W	1	
	R5610	D1BB2201A055	M 2.2KOHM, 1/10W	1	
	R5611	D1BB1202A055	M 12KOHM, 1/10W	1	
	R5612	D1BB2002A055	M 20KOHM, 1/10W	1	
	R5613	ERJ2GEJ5R6X	M 5.6 OHM, J, 0.063W	1	
	R5622	ERJ2GEJ5R6X	M 5.6 OHM, J, 0.063W	1	
	R5629	D1BB2101A055	M 2.1KOHM, 1/10W	1	
	R5630	D1BB3301A055	M 3.3KOHM, 1/16W	1	
	R5631	D1BB3901A055	M 3.9KOHM, 1/10W	1	
	R5632	D1BB4021A055	M 4.2KOHM, 1/16W	1	
	R5633	D1BB1202A055	M 12KOHM, 1/10W	1	
	R5634	D1BB1602A055	M 16KOHM, 1/10W	1	
	R5635	ERJ2GEJ223	M 22KOHM, J, 0.063W	1	
	R5636	ERJ2GEJ683	M 68KOHM, J, 0.063W	1	
	R5646	ERJ2GEJ103	M 10KOHM, J, 0.063W	1	
	R5647	ERJ2GEJ473	M 47KOHM, J, 0.063W	1	
	R5657	ERJ2GEJ222	M 2.2KOHM, J, 0.063W	1	

Safety	Ref. No.	Part No.	Part Name & Description	Pcs	Remarks
	R5658	ERJ2GEJ473	M 47KOHM, J,0.063W	1	
	R5659	ERJ2GEJ103	M 10KOHM, J,0.063W	1	
	R5668	ERJ2GEJ222	M 2.2KOHM, J,0.063W	1	
	R5669	ERJ2GEJ332	M 3.3KOHM, J,0.063W	1	
	R5670	ERJ2GEJ102X	M 1K OHM J 1/4W	1	
	R5671	ERJ2GEJ103	M 10KOHM, J,0.063W	1	
	R5672	ERJ6GEYJ221V	M 220 OHM,J,1/10W	1	
	R5674	ERJ6GEYJ471	M 470 OHM,J,1/10W	1	
	R5676	ERJ2GEJ221	M 220 OHM, J,0.063W	1	
	R5678	ERJ2GEJ471	M 470 OHM, J,0.063W	1	
	R8004	D1BB2402A055	M 24KOHM, 1/10W	1	
	R8005	D1BB1002A055	M 10KOHM, 1/10W	1	
	R8006	D1BB2402A055	M 24KOHM, 1/10W	1	
	R8007	D0GBR00Z0002	M 0 OHM J 1/16W	1	
	R8026	D0YAR0000007	M 0 OHM 1/4W	1	
	R8027	D0YAR0000007	M 0 OHM 1/4W	1	
	R8030	ERJ2GEJ101	M 100 OHM, J,0.063W	1	
	R8031	ERJ2RKF1001	M 1KOHM, 0.063W	1	
	R8032	ERJ2RKF1001	M 1KOHM, 0.063W	1	
	R8056	ERJ2GEJ470	M 47 OHM, J,0.063W	1	
	R8057	ERJ2GEJ470	M 47 OHM, J,0.063W	1	
	R8058	ERJ2GEJ470	M 47 OHM, J,0.063W	1	
	R8059	ERJ2GEJ470	M 47 OHM, J,0.063W	1	
	R8060	ERJ2GEJ470	M 47 OHM, J,0.063W	1	
	R8061	ERJ2GEJ470	M 47 OHM, J,0.063W	1	
	R8062	ERJ2GEJ470	M 47 OHM, J,0.063W	1	
	R8063	ERJ2GEJ470	M 47 OHM, J,0.063W	1	
	R8064	ERJ2GEJ470	M 47 OHM, J,0.063W	1	
	R8065	ERJ2GEJ470	M 47 OHM, J,0.063W	1	
	R8066	ERJ2GEJ470	M 47 OHM, J,0.063W	1	
	R8067	ERJ2GEJ470	M 47 OHM, J,0.063W	1	
	R8068	ERJ2GEJ470	M 47 OHM, J,0.063W	1	
	R8069	ERJ2GEJ470	M 47 OHM, J,0.063W	1	
	R8070	ERJ2GEJ470	M 47 OHM, J,0.063W	1	
	R8071	ERJ2GEJ470	M 47 OHM, J,0.063W	1	
	R8072	ERJ2GEJ470	M 47 OHM, J,0.063W	1	
	R8073	ERJ2GEJ470	M 47 OHM, J,0.063W	1	
	R8074	ERJ2GEJ221	M 220 OHM, J,0.063W	1	
	R8075	ERJ2GEJ470	M 47 OHM, J,0.063W	1	
	R8076	ERJ2GEJ470	M 47 OHM, J,0.063W	1	
	R8077	ERJ2GEJ470	M 47 OHM, J,0.063W	1	
	R8078	ERJ2GEJ470	M 47 OHM, J,0.063W	1	
	R8081	ERJ2GEJ103	M 10KOHM, J,0.063W	1	
	R8082	ERJ2RKF75R0	M 75 OHM, , 0.063W	1	

Safety	Ref. No.	Part No.	Part Name & Description	Pcs	Remarks
	R8083	ERJ2GEJ301	M 300 OHM, J,0.063W	1	
	R8086	ERJ2GEJ104	M 100KOHM, J,0.063W	1	
	R8088	ERJ2GEJ103	M 10KOHM, J,0.063W	1	
	R8090	ERJ2GEJ103	M 10KOHM, J,0.063W	1	
	R8091	ERJ2GEJ470	M 47 OHM, J,0.063W	1	
	R8093	ERJ2GEJ470	M 47 OHM, J,0.063W	1	
	R8095	ERJ2GEJ103	M 10KOHM, J,0.063W	1	
	R8096	ERJ2GEJ820	M 82 OHM, J,0.063W	1	
	R8097	ERJ2GEJ221	M 220 OHM, J,0.063W	1	
	R8100	ERJ2GEJ470	M 47 OHM, J,0.063W	1	
	R8101	ERJ2GEJ103	M 10KOHM, J,0.063W	1	
	R8109	ERJ2GEJ222	M 2.2KOHM, J,0.063W	1	
	R8260	ERJ2GEJ102X	M 1K OHM J 1/4W	1	
	R8272	ERJ2GEJ103	M 10KOHM, J,0.063W	1	
	R8412	ERJ2GEJ103	M 10KOHM, J,0.063W	1	
	R8471	ERJ2GEJ103	M 10KOHM, J,0.063W	1	
	R8475	EXB28V103JX	RESISTOR ARRAY	1	
	R8494	ERJ2GEJ222	M 2.2KOHM, J,0.063W	1	
	R8496	ERJ2GEJ222	M 2.2KOHM, J,0.063W	1	
	R8501	ERJ2GEJ101	M 100 OHM, J,0.063W	1	
	R8502	ERJ2GEJ331	M 330 OHM, J,0.063W	1	
	R8503	ERJ2GEJ331	M 330 OHM, J,0.063W	1	
	R8504	ERJ2GEJ331	M 330 OHM, J,0.063W	1	
	R8506	ERJ2GEJ331	M 330 OHM, J,0.063W	1	
	R8508	ERJ2GEJ680	M 68 OHM, J,0.063W	1	
	R8510	D1BB1600A055	M 160 OHM, 1/10W	1	
	R8511	ERJ2GEJ472	M 4.7KOHM, J,0.063W	1	
	R8514	ERJ2GEJ680	M 68 OHM, J,0.063W	1	
	R8515	ERJ2GEJ222	M 2.2KOHM, J,0.063W	1	
	R8516	ERJ2GEJ222	M 2.2KOHM, J,0.063W	1	
	R8517	ERJ2GEJ103	M 10KOHM, J,0.063W	1	
	R8520	ERJ2GEJ103	M 10KOHM, J,0.063W	1	
	R8530	D0GBR00Z0002	M 0 OHM J 1/16W	1	
	R8531	D0GBR00Z0002	M 0 OHM J 1/16W	1	
	R8558	ERJ2GEJ680	M 68 OHM, J,0.063W	1	
	R8575	ERJ2GEJ680	M 68 OHM, J,0.063W	1	
	R8576	ERJ2GEJ680	M 68 OHM, J,0.063W	1	
	R8577	ERJ2GEJ680	M 68 OHM, J,0.063W	1	
	R8578	ERJ2GEJ680	M 68 OHM, J,0.063W	1	
	R8579	ERJ2GEJ680	M 68 OHM, J,0.063W	1	
	R8580	ERJ2GEJ680	M 68 OHM, J,0.063W	1	
	R8581	ERJ2GEJ103	M 10KOHM, J,0.063W	1	

Safety	Ref. No.	Part No.	Part Name & Description	Pcs	Remarks
	R8582	ERJ2GEJ680	M 68 OHM, J, 0.063W	1	
	R8585	ERJ2GEJ680	M 68 OHM, J, 0.063W	1	
	R8608	ERJ2GEJ680	M 68 OHM, J, 0.063W	1	
	R8609	ERJ2GEJ103	M 10KOHM, J, 0.063W	1	
	R8610	ERJ2GEJ680	M 68 OHM, J, 0.063W	1	
	R8611	ERJ2GEJ680	M 68 OHM, J, 0.063W	1	
	R8612	ERJ2GEJ680	M 68 OHM, J, 0.063W	1	
	R8613	ERJ2GEJ680	M 68 OHM, J, 0.063W	1	
	R8614	ERJ2GEJ680	M 68 OHM, J, 0.063W	1	
	R8615	ERJ2GEJ680	M 68 OHM, J, 0.063W	1	
	R8616	ERJ2GEJ680	M 68 OHM, J, 0.063W	1	
	R8617	ERJ2GEJ680	M 68 OHM, J, 0.063W	1	
	R8618	ERJ2GEJ103	M 10KOHM, J, 0.063W	1	
	R8619	ERJ2GEJ103	M 10KOHM, J, 0.063W	1	
	R8620	ERJ2GEJ103	M 10KOHM, J, 0.063W	1	
	R8628	ERJ2GEJ103	M 10KOHM, J, 0.063W	1	
	R8629	ERJ2GEJ103	M 10KOHM, J, 0.063W	1	
	R8630	ERJ2GEJ103	M 10KOHM, J, 0.063W	1	
	R8637	ERJ2GEJ680	M 68 OHM, J, 0.063W	1	
	R8638	ERJ2GEJ680	M 68 OHM, J, 0.063W	1	
	R8639	ERJ2GEJ680	M 68 OHM, J, 0.063W	1	
	R8640	ERJ2GEJ103	M 10KOHM, J, 0.063W	1	
	R8641	ERJ2GEJ103	M 10KOHM, J, 0.063W	1	
	R8642	ERJ2GEJ103	M 10KOHM, J, 0.063W	1	
	R8644	DOYAR0000007	M 0 OHM 1/4W	1	
	R8645	ERJ2GEJ680	M 68 OHM, J, 0.063W	1	
	R8646	ERJ2GEJ680	M 68 OHM, J, 0.063W	1	
	R8647	ERJ2GEJ680	M 68 OHM, J, 0.063W	1	
	R8651	ERJ2GEJ680	M 68 OHM, J, 0.063W	1	
	R8654	ERJ2GEJ103	M 10KOHM, J, 0.063W	1	
	R8658	ERJ2GEJ103	M 10KOHM, J, 0.063W	1	
	R8660	DOYAR0000007	M 0 OHM 1/4W	1	
	R8661	ERJ2GEJ103	M 10KOHM, J, 0.063W	1	
	R8663	ERJ2GEJ103	M 10KOHM, J, 0.063W	1	
	R8665	ERJ2GEJ222	M 2.2KOHM, J, 0.063W	1	
	R8666	ERJ2GEJ103	M 10KOHM, J, 0.063W	1	
	R8667	ERJ2GEJ680	M 68 OHM, J, 0.063W	1	
	R8672	EXB2HV680J	RESISTOR ARRAY	1	
	R8673	EXB2HV680J	RESISTOR ARRAY	1	
	R8674	EXB2HV103JV	RESISTOR ARRAY	1	
	R8676	ERJ2GEJ103	M 10KOHM, J, 0.063W	1	
	R8677	ERJ2GEJ103	M 10KOHM, J, 0.063W	1	

Safety	Ref. No.	Part No.	Part Name & Description	Pcs	Remarks
	R8683	ERJ2GEJ680	M 68 OHM, J, 0.063W	1	
	R8688	EXB2HV680J	RESISTOR ARRAY	1	
	R8689	EXB2HV680J	RESISTOR ARRAY	1	
	R8690	EXB2HV680J	RESISTOR ARRAY	1	
	R8691	ERJ2GEJ103	M 10KOHM, J, 0.063W	1	
	R8692	ERJ2GEJ680	M 68 OHM, J, 0.063W	1	
	R8697	ERJ2GEJ222	M 2.2KOHM, J, 0.063W	1	
	R8703	ERJ2GEJ680	M 68 OHM, J, 0.063W	1	
	R8715	ERJ2GEJ103	M 10KOHM, J, 0.063W	1	
	R8716	ERJ2GEJ103	M 10KOHM, J, 0.063W	1	
	R8718	ERJ2GEJ103	M 10KOHM, J, 0.063W	1	
	R8719	EXB28V103JX	RESISTOR ARRAY	1	
	R8722	EXB28V103JX	RESISTOR ARRAY	1	
	R8723	ERJ2GEJ103	M 10KOHM, J, 0.063W	1	
	R8724	ERJ2GEJ680	M 68 OHM, J, 0.063W	1	
	R8726	ERJ2GEJ680	M 68 OHM, J, 0.063W	1	
	R8729	ERJ2GEJ121	M 120 OHM, J, 0.063W	1	
	R8730	ERJ2GEJ121	M 120 OHM, J, 0.063W	1	
	R8732	ERJ2GEJ121	M 120 OHM, J, 0.063W	1	
	R8733	ERJ2GEJ121	M 120 OHM, J, 0.063W	1	
	R8734	ERJ2GEJ121	M 120 OHM, J, 0.063W	1	
	R8735	ERJ2GEJ121	M 120 OHM, J, 0.063W	1	
	R8736	ERJ2GEJ121	M 120 OHM, J, 0.063W	1	
	R8738	ERJ2GEJ121	M 120 OHM, J, 0.063W	1	
	R8739	ERJ2GEJ121	M 120 OHM, J, 0.063W	1	
	R8740	ERJ2GEJ121	M 120 OHM, J, 0.063W	1	
	R8742	D1HG1218A002	NETWORK RESISTER	1	
	R8745	D1HG1218A002	NETWORK RESISTER	1	
	R8746	ERJ2GEJ103	M 10KOHM, J, 0.063W	1	
	R8747	ERJ2GEJ103	M 10KOHM, J, 0.063W	1	
	R8750	ERJ2GEJ103	M 10KOHM, J, 0.063W	1	
	R8751	ERJ2GEJ103	M 10KOHM, J, 0.063W	1	
	R8765	ERJ2GEJ103	M 10KOHM, J, 0.063W	1	
	R8767	ERJ2GEJ103	M 10KOHM, J, 0.063W	1	
	R8768	ERJ2GEJ103	M 10KOHM, J, 0.063W	1	
	R8802	DOYAR0000007	M 0 OHM 1/4W	1	
	R8803	ERJ2GEJ680	M 68 OHM, J, 0.063W	1	
	R8804	ERJ2GEJ680	M 68 OHM, J, 0.063W	1	
	R8805	ERJ2GEJ680	M 68 OHM, J, 0.063W	1	
	R8806	ERJ2GEJ680	M 68 OHM, J, 0.063W	1	
	R8807	ERJ2GEJ680	M 68 OHM, J, 0.063W	1	
	R8808	ERJ2GEJ680	M 68 OHM, J, 0.063W	1	
	R8860	ERJ2GEJ680	M 68 OHM, J, 0.063W	1	
	R8898	ERJ2GEJ103	M 10KOHM, J, 0.063W	1	

Safety	Ref. No.	Part No.	Part Name & Description	Pcs	Remarks
	R8959	ERJ2GEJ680	M 68 OHM, J, 0.063W	1	
	R8960	ERJ2GEJ680	M 68 OHM, J, 0.063W	1	
	R8963	ERJ2GEJ103	M 10KOHM, J, 0.063W	1	
	R9070	ERJ2GEJ103	M 10KOHM, J, 0.063W	1	
	R9071	ERJ2GEJ223	M 22KOHM, J, 0.063W	1	
	R9072	ERJ2GEJ102X	M 1K OHM J 1/4W	1	
	R9073	ERJ2GEJ472	M 4.7KOHM, J, 0.063W	1	
	R9077	D1BB1302A055	M 13KOHM, 1/10W	1	
	R9078	D1BB4302A055	M 43KOHM, 1/10W	1	
	R9079	D1BB2702A055	M 27KOHM, 1/10W	1	
	R9080	D1BB1502A055	M 15KOHM, 1/10W	1	
	R9081	D1BB4702A055	M 47KOHM, 1/10W	1	
	R9083	D0YAR0000007	M 0 OHM 1/4W	1	
	R9084	D0YAR0000007	M 0 OHM 1/4W	1	
	R9085	ERJ2GEJ470	M 47 OHM, J, 0.063W	1	
	R9086	ERJ2GEJ470	M 47 OHM, J, 0.063W	1	
	R9087	ERJ2GEJ101	M 100 OHM, J, 0.063W	1	
	R9088	D1BB1802A055	M 18KOHM, 1/10W	1	
	R9089	D1BB1502A055	M 15KOHM, 1/10W	1	
	R9091	D1BB2702A055	M 27KOHM, 1/10W	1	
	R9092	D1BB1202A055	M 12KOHM, 1/10W	1	
	R9095	ERJ2GEJ103	M 10KOHM, J, 0.063W	1	
	R9096	ERJ2GEJ472	M 4.7KOHM, J, 0.063W	1	
	R9097	ERJ2GEJ472	M 4.7KOHM, J, 0.063W	1	
	R9098	ERJ2GEJ472	M 4.7KOHM, J, 0.063W	1	
	R9099	ERJ2GEJ101	M 100 OHM, J, 0.063W	1	
	R9100	ERJ2GEJ473	M 47KOHM, J, 0.063W	1	
	R9101	ERJ2GEJ333	M 33KOHM, J, 0.063W	1	
	R9102	ERJ2GEJ101	M 100 OHM, J, 0.063W	1	
	R9103	ERJ2GEJ473	M 47KOHM, J, 0.063W	1	
	R9104	ERJ2GEJ472	M 4.7KOHM, J, 0.063W	1	
	R9105	ERJ2GEJ103	M 10KOHM, J, 0.063W	1	
	R9106	ERJ2GEJ104	M 100KOHM, J, 0.063W	1	
	R9107	ERJ2GEJ332	M 3.3KOHM, J, 0.063W	1	
	R9108	ERJ2GEJ103	M 10KOHM, J, 0.063W	1	
	R9109	ERJ2GEJ103	M 10KOHM, J, 0.063W	1	
	R9110	ERJ2GEJ101	M 100 OHM, J, 0.063W	1	
	R9113	ERJ2GEJ104	M 100KOHM, J, 0.063W	1	
	R9116	ERJ2GEJ101	M 100 OHM, J, 0.063W	1	
	R9119	EXB38V470J	RESISTOR ARRAY	1	
	R9120	ERJ2GEJ101	M 100 OHM, J, 0.063W	1	
	R9121	ERJ2GEJ104	M 100KOHM, J, 0.063W	1	
	R9124	ERJ2GEJ470	M 47 OHM, J, 0.063W	1	
	R9129	ERJ2GEJ683	M 68KOHM, J, 0.063W	1	
	R9130	ERJ2GEJ470	M 47 OHM, J, 0.063W	1	
	R9142	ERJ2GEJ101	M 100 OHM, J, 0.063W	1	

Safety	Ref. No.	Part No.	Part Name & Description	Pcs	Remarks
	R9145	ERJ2GEJ101	M 100 OHM, J, 0.063W	1	
	R9149	ERJ2GEJ472	M 4.7KOHM, J, 0.063W	1	
	R9152	ERJ2GEJ103	M 10KOHM, J, 0.063W	1	
	R9153	ERJ2GEJ103	M 10KOHM, J, 0.063W	1	
	R9154	ERJ2RHD272	M 2.7KOHM, J, 2W	1	
	R9155	ERJ2RHD272	M 2.7KOHM, J, 2W	1	
	R9164	ERJ2GEJ103	M 10KOHM, J, 0.063W	1	
	R9166	ERJ2GEJ103	M 10KOHM, J, 0.063W	1	
	R9187	ERJ2RHD272	M 2.7KOHM, J, 2W	1	
	R9188	ERJ2RHD272	M 2.7KOHM, J, 2W	1	
	R9189	ERJ2GEJ103	M 10KOHM, J, 0.063W	1	
	R9202	ERJ2GEJ101	M 100 OHM, J, 0.063W	1	
	R9203	ERJ2GEJ223	M 22KOHM, J, 0.063W	1	
	R9205	ERJ2GEJ333	M 33KOHM, J, 0.063W	1	
	R9206	ERJ2GED563X	M 56KOHM, J, 0.063W	1	
	R9207	ERJ2GEJ243	M 24KOHM, J, 0.063W	1	
	R9211	D0GDR00Z0002	M 0 OHM, 1/10W	1	
	R9212	ERJ2GEJ470	M 47 OHM, J, 0.063W	1	
	R9213	ERJ2GEJ470	M 47 OHM, J, 0.063W	1	
	R9215	ERJ2GEJ104	M 100KOHM, J, 0.063W	1	
	R9216	D0YAR0000007	M 0 OHM 1/4W	1	
	R9222	D0GDR00Z0002	M 0 OHM, 1/10W	1	
	R9223	ERJ2RHD272	M 2.7KOHM, J, 2W	1	
	R9225	ERJ2RHD272	M 2.7KOHM, J, 2W	1	
	R9226	D0YAR0000007	M 0 OHM 1/4W	1	
	R9227	D0YAR0000007	M 0 OHM 1/4W	1	
	R9228	ERJ2GEJ470	M 47 OHM, J, 0.063W	1	
	R9229	ERJ2GEJ470	M 47 OHM, J, 0.063W	1	
	R9234	ERJ2GEJ101	M 100 OHM, J, 0.063W	1	
	R9235	ERJ2GEJ101	M 100 OHM, J, 0.063W	1	
	R9236	ERJ2GEJ101	M 100 OHM, J, 0.063W	1	
	R9237	ERJ2GEJ101	M 100 OHM, J, 0.063W	1	
	R9238	ERJ2GEJ101	M 100 OHM, J, 0.063W	1	
	R9239	ERJ2GEJ101	M 100 OHM, J, 0.063W	1	
	R9240	ERJ2GEJ101	M 100 OHM, J, 0.063W	1	
	R9241	ERJ2GEJ101	M 100 OHM, J, 0.063W	1	
	R9242	ERJ2GEJ101	M 100 OHM, J, 0.063W	1	
	R9243	ERJ2GEJ101	M 100 OHM, J, 0.063W	1	
	R9245	ERJ2GEJ101	M 100 OHM, J, 0.063W	1	
	R9246	ERJ2GEJ101	M 100 OHM, J, 0.063W	1	
	R9249	ERJ2RHD272	M 2.7KOHM, J, 2W	1	
	R9250	ERJ2RHD272	M 2.7KOHM, J, 2W	1	
	R9369	ERJ2GEJ472	M 4.7KOHM, J, 0.063W	1	
	R9370	ERJ2GEJ103	M 10KOHM, J, 0.063W	1	
	R9371	ERJ2GEJ104	M 100KOHM, J, 0.063W	1	
	R9385	ERJ2GEJ472	M 4.7KOHM, J, 0.063W	1	

Safety	Ref. No.	Part No.	Part Name & Description	Pcs	Remarks
	R9391	ERJ2GEJ104	M 100KOHM, J,0.063W	1	
	R9398	ERJ2GEJ301	M 300 OHM, J,0.063W	1	
	R9399	ERJ2RKF75R0	M 75 OHM, , 0.063W	1	
	R9401	ERJ2GEJ221	M 220 OHM, J,0.063W	1	
	R9402	ERJ2GEJ470	M 47 OHM, J,0.063W	1	
	R9403	ERJ2GEJ103	M 10KOHM, J,0.063W	1	
	R9404	ERJ2GEJ470	M 47 OHM, J,0.063W	1	
	R9405	ERJ2GEJ470	M 47 OHM, J,0.063W	1	
	R9406	ERJ2GEJ470	M 47 OHM, J,0.063W	1	
	R9407	ERJ2GEJ470	M 47 OHM, J,0.063W	1	
	R9408	ERJ2GEJ470	M 47 OHM, J,0.063W	1	
	R9409	ERJ2GEJ470	M 47 OHM, J,0.063W	1	
	R9410	ERJ2GEJ470	M 47 OHM, J,0.063W	1	
	R9411	ERJ2GEJ470	M 47 OHM, J,0.063W	1	
	R9412	ERJ2GEJ470	M 47 OHM, J,0.063W	1	
	R9413	ERJ2GEJ470	M 47 OHM, J,0.063W	1	
	R9414	ERJ2GEJ470	M 47 OHM, J,0.063W	1	
	R9415	ERJ2GEJ470	M 47 OHM, J,0.063W	1	
	R9416	ERJ2GEJ470	M 47 OHM, J,0.063W	1	
	R9417	ERJ2GEJ470	M 47 OHM, J,0.063W	1	
	R9418	ERJ2GEJ470	M 47 OHM, J,0.063W	1	
	R9419	ERJ2GEJ470	M 47 OHM, J,0.063W	1	
	R9420	ERJ2GEJ470	M 47 OHM, J,0.063W	1	
	R9421	ERJ2GEJ470	M 47 OHM, J,0.063W	1	
	R9422	ERJ2GEJ470	M 47 OHM, J,0.063W	1	
	R9423	ERJ2GEJ470	M 47 OHM, J,0.063W	1	
	R9424	ERJ2GEJ470	M 47 OHM, J,0.063W	1	
	R9425	EXB2HV151J	RESISTOR ARRAY	1	
	R9426	EXB2HV151J	RESISTOR ARRAY	1	
	R9440	DOYAR0000007	M 0 OHM 1/4W	1	
	R9441	DOYAR0000007	M 0 OHM 1/4W	1	
	R9442	DOYAR0000007	M 0 OHM 1/4W	1	
	R9443	DOYAR0000007	M 0 OHM 1/4W	1	
	R9444	DOYAR0000007	M 0 OHM 1/4W	1	
	R9445	DOYAR0000007	M 0 OHM 1/4W	1	
	R9446	DOYAR0000007	M 0 OHM 1/4W	1	
	R9447	DOYAR0000007	M 0 OHM 1/4W	1	
	R9448	DOYAR0000007	M 0 OHM 1/4W	1	
	R9449	DOYAR0000007	M 0 OHM 1/4W	1	
	R9450	DOYAR0000007	M 0 OHM 1/4W	1	
	R9451	DOYAR0000007	M 0 OHM 1/4W	1	
	R9452	DOYAR0000007	M 0 OHM 1/4W	1	
	R9453	DOYAR0000007	M 0 OHM 1/4W	1	
	R9454	DOYAR0000007	M 0 OHM 1/4W	1	
	R9455	DOYAR0000007	M 0 OHM 1/4W	1	
	R9578	ERJ2GEJ472	M 4.7KOHM, J,0.063W	1	
	R9586	ERJ2GEJ470	M 47 OHM, J,0.063W	1	
	R9587	ERJ2GEJ470	M 47 OHM, J,0.063W	1	

Safety	Ref. No.	Part No.	Part Name & Description	Pcs	Remarks
	R9592	ERJ2GEJ103	M 10KOHM, J,0.063W	1	
	R9594	ERJ2GEJ103	M 10KOHM, J,0.063W	1	
	R9598	ERJ2GEJ470	M 47 OHM, J,0.063W	1	
	R9604	ERJ2GEJ103	M 10KOHM, J,0.063W	1	
	R9608	EXB2HV470JV	RESISTOR ARRAY	1	
	R9609	EXB2HV470JV	RESISTOR ARRAY	1	
	R9610	EXB2HV470JV	RESISTOR ARRAY	1	
	R9611	ERJ2GEJ680	M 68 OHM, J,0.063W	1	
	R9616	ERJ2GEJ470	M 47 OHM, J,0.063W	1	
	R9618	ERJ2GEJ331	M 330 OHM, J,0.063W	1	
	R9839	EXB38V101JV	RESISTOR ARRAY	1	
	R9848	EXB2HV470JV	RESISTOR ARRAY	1	
	R9849	EXB2HV470JV	RESISTOR ARRAY	1	
	R9868	ERJ2GEJ104	M 100KOHM, J,0.063W	1	
	R9871	ERJ2GEJ103	M 10KOHM, J,0.063W	1	
	R9872	D1BB1002A055	M 10KOHM, 1/10W	1	
	R9873	ERJ14YJ5R6U	M 6.2OHM, 1/4W	1	
	R9874	ERJ14YJ100H	M 10 OHM, J,1/4W	1	
	R9893	D1BB2702A055	M 27KOHM, 1/10W	1	
	R9894	D1BB1802A055	M 18KOHM, 1/10W	1	
	R9897	ERJ2GEJ103	M 10KOHM, J,0.063W	1	
	R9898	ERJ2GEJ103	M 10KOHM, J,0.063W	1	
	R9899	ERJ2GEJ103	M 10KOHM, J,0.063W	1	
	R9966	ERJ2GEJ391	M 390 OHM, J,0.063W	1	
	R9967	ERJ2GEJ470	M 47 OHM, J,0.063W	1	
	R9968	ERJ2GEJ470	M 47 OHM, J,0.063W	1	
	R9969	ERJ2GEJ470	M 47 OHM, J,0.063W	1	
	R9970	ERJ2GEJ470	M 47 OHM, J,0.063W	1	
	R9975	ERJ2GEJ470	M 47 OHM, J,0.063W	1	
	R9977	ERJ2GEJ470	M 47 OHM, J,0.063W	1	
	R9983	ERJ2GEJ470	M 47 OHM, J,0.063W	1	
	R9987	ERJ2GEJ470	M 47 OHM, J,0.063W	1	
	R9988	ERJ2GEJ470	M 47 OHM, J,0.063W	1	
	R9989	ERJ2GEJ470	M 47 OHM, J,0.063W	1	
	R9990	DOYAR0000007	M 0 OHM 1/4W	1	
	R9996	ERJ2RKF1001	M 1KOHM, 0.063W	1	
	R9997	ERJ2RKF1001	M 1KOHM, 0.063W	1	
	R9998	ERJ2GEJ221	M 220 OHM, J,0.063W	1	
	R9999	ERJ2GEJ103	M 10KOHM, J,0.063W	1	
	R16001	D0GF7R5JA047	M 7.5 OHM,J, 0.33W	1	
	R16002	D0GF7R5JA047	M 7.5 OHM,J, 0.33W	1	
	R16022	D0GF7R5JA047	M 7.5 OHM,J, 0.33W	1	
	R16023	D0GF7R5JA047	M 7.5 OHM,J, 0.33W	1	
	R16031	ERJ6ENF8202	M 82KOHM, 1/10W	1	
	R16032	ERJ6ENF8202	M 82KOHM, 1/10W	1	
	R16033	D1BD5602A044	M 56KOHM, 1/10W	1	
	R16034	D1BD2702A044	M 27KOHM, 1/10W	1	
	R16041	D0GF5R6JA047	M 5.6 OHM,J, 0.33W	1	

Safety	Ref. No.	Part No.	Part Name & Description	Pcs	Remarks
	R16051	D0GF5R6JA047	M 5.6 OHM, J, 0.33W	1	
	R16101	D0GD221JA059	M 220 OHM, J, 1/10W	1	
	R16102	D0GD221JA059	M 220 OHM, J, 1/10W	1	
	R16103	D0GD100JA059	M 10 OHM, J, 0.25W	1	
	R16104	D0GD100JA059	M 10 OHM, J, 0.25W	1	
	R16105	ERJ8GEYJ474	M 470KOHM, J, 1/8W	1	
	R16109	D0GD100JA059	M 10 OHM, J, 0.25W	1	
	R16110	ERJ6GEYF473	M 47KOHM, J, 1/10W	1	
	R16116	ERJ6GEYF473	M 47KOHM, J, 1/10W	1	
	R16131	D0GD101JA036	M 100 OHM, J, 0.25W	1	
	R16132	D0GD101JA036	M 100 OHM, J, 0.25W	1	
	R16133	D0GD750JA059	M 75 OHM, J, 0.25W	1	
	R16134	D0GD750JA059	M 75 OHM, J, 0.25W	1	
	R16137	D0GF1R0JA047	M 1.0 OHM, J, 0.33W	1	
	R16141	D0GD100JA059	M 10 OHM, J, 0.25W	1	
	R16142	ERJ6GEYF473	M 47KOHM, J, 1/10W	1	
	R16143	ERJ6GEYF473	M 47KOHM, J, 1/10W	1	
	R16151	D0GD101JA036	M 100 OHM, J, 0.25W	1	
	R16152	D0GD101JA036	M 100 OHM, J, 0.25W	1	
	R16154	D0GD750JA059	M 75 OHM, J, 0.25W	1	
	R16155	D0GF1R0JA047	M 1.0 OHM, J, 0.33W	1	
	R16159	D0GF1R0JA047	M 1.0 OHM, J, 0.33W	1	
	R16161	D0GD100JA059	M 10 OHM, J, 0.25W	1	
	R16162	ERJ6GEYF473	M 47KOHM, J, 1/10W	1	
	R16163	ERJ6GEYF473	M 47KOHM, J, 1/10W	1	
	R16171	D0GD100JA059	M 10 OHM, J, 0.25W	1	
	R16172	ERJ6GEYF473	M 47KOHM, J, 1/10W	1	
	R16173	ERJ6GEYF473	M 47KOHM, J, 1/10W	1	
	R16181	D0GD100JA059	M 10 OHM, J, 0.25W	1	
	R16182	ERJ6GEYF473	M 47KOHM, J, 1/10W	1	
	R16183	ERJ6GEYF473	M 47KOHM, J, 1/10W	1	
	R16191	ERJ6GEYJ151V	M 150 OHM, J, 1/10W	1	
	R16192	ERJ6GEYJ103V	M 10K OHM J 1/10W	1	
	R16193	ERJ6GEYJ750	M 75 OHM, J, 1/10W	1	
	R16194	D0GF7R5JA047	M 7.5 OHM, J, 0.33W	1	
	R16195	D0GF1R0JA047	M 1.0 OHM, J, 0.33W	1	
	R16196	D0GF7R5JA047	M 7.5 OHM, J, 0.33W	1	
	R16230	ERJ6GEYJ470V	M 47 OHM, J, 1/10W	1	
	R16231	ERJ6GEYJ472V	M 4.7K OHM J 1/10W	1	
	R16241	EXB38V470J	RESISTOR ARRAY	1	
	R16242	EXB38V472JV	RESISTOR ARRAY	1	
	R16251	D1BD1401A044	M 1.4KOHM, 1/10W	1	
	R16252	D1BD3902A044	M 39KOHM, 1/10W	1	
	R16253	D1BD3902A044	M 39KOHM, 1/10W	1	
	R16254	D1BD6801A044	M 6.8KOHM, 1/10W	1	
	R16255	D1BD1201A044	M 1.2KOHM, 1/10W	1	
	R16256	D1BD1501A044	M 1.4KOHM, 1/10W	1	
	R16257	ERJ6GEYJ273	M 27KOHM, J, 1/10W	1	
	R16258	ERJ6GEYJ103V	M 10K OHM J 1/10W	1	
	R16260	ERJ6GEYJ222V	M 2.2K OHM J 1/10W	1	
	R16280	ERJ6GEYJ222V	M 2.2K OHM J 1/10W	1	
	R16281	D0GD103JA036	M 10KOHM, J, 0.25W	1	
	R16282	ERJ6GEYJ221V	M 220 OHM, J, 1/10W	1	
	R16283	ERJ6GEYF473	M 47KOHM, J, 1/10W	1	
	R16284	ERJ6GEYJ224	M 220KOHM, J, 1/10W	1	

Safety	Ref. No.	Part No.	Part Name & Description	Pcs	Remarks
	R16285	EXB38V623J	RESISTOR ARRAY	1	
	R16287	D0GF334JA047	M 330KOHM, F, 0.33W	1	
	R16288	D0GF334JA047	M 330KOHM, F, 0.33W	1	
	R16289	D0GF334JA047	M 330KOHM, F, 0.33W	1	
	R16290	D0GF334JA047	M 330KOHM, F, 0.33W	1	
	R16302	ERJ8GEYJ333	M 33KOHM, J, 1/8W	1	
	R16307	ERJ6RBD683	M 68KOHM, J, 1/10W	1	
	R16309	ERJ8GEYJ333	M 33KOHM, J, 1/8W	1	
	R16310	ERJ8GEYJ333	M 33KOHM, J, 1/8W	1	
	R16311	ERJ8GEYJ333	M 33KOHM, J, 1/8W	1	
	R16317	ERJ6RBD272	M 2.7KOHM 1/10W	1	
	R16318	ERJ6RBD623	M 62KOHM, J, 1/10W	1	
	R16319	ERJ6RBD2491	M 2.49KOHM, 1/10W	1	
	R16320	ERJ14YJ683	M 68KOHM, 1/2W	1	
	R16330	ERJ6GEYJ102V	M 1K OHM J 1/10W	1	
	R16332	ERJ6GEYJ474	M 470KOHM, J, 1/10W	1	
	R16334	ERJ6GEYJ472V	M 4.7K OHM J 1/10W	1	
	R16335	ERJ6GEYJ102V	M 1K OHM J 1/10W	1	
	R16401	ERJT08J7R5V	M 7.5OHM, J, 0.33W	1	
	R16402	ERJT08J7R5V	M 7.5OHM, J, 0.33W	1	
	R16410	ERJ6GEYJ391	M 390 OHM, F, 1/10W	1	
	R16411	D1BD2700A044	M 270 OHM, 1/10W	1	
	R16414	ERJ6GEYJ331V	M 330 OHM J 1/10W	1	
	R16415	ERJ6GEYJ331V	M 330 OHM J 1/10W	1	
	R16416	D0GD103JA036	M 10KOHM, J, 0.25W	1	
	R16421	ERJT08J7R5V	M 7.5OHM, J, 0.33W	1	
	R16422	ERJT08J7R5V	M 7.5OHM, J, 0.33W	1	
	R16441	ERJT08J5R6V	M 5.6 OHM, F, 0.33W	1	
	R16451	ERJT08J5R6V	M 5.6 OHM, F, 0.33W	1	
	R16465	D1BD2702A044	M 27KOHM, 1/10W	1	
	R16466	D1BD5602A044	M 56KOHM, 1/10W	1	
	R16467	ERJ6ENF8202	M 82KOHM, 1/10W	1	
	R16468	ERJ6ENF8202	M 82KOHM, 1/10W	1	
	R16471	ERJ6GEYJ392	M 3.9KOHM, J, 1/10W	1	
	R16472	ERJ6GEYJ222V	M 2.2K OHM J 1/10W	1	
	R16473	ERJ6GEYF561	M 560 OHM, F, 1/10W	1	
	R16474	ERJ6GEYJ102V	M 1K OHM J 1/10W	1	
	R16475	ERJ6GEYJ472V	M 4.7K OHM J 1/10W	1	
	R16476	ERJ6GEYJ472V	M 4.7K OHM J 1/10W	1	
	R16478	ERJ6GEYJ562V	M 5.6KOHM, J, 1/10W	1	
	R16479	D0GD103JA036	M 10KOHM, J, 0.25W	1	
	R16480	ERJ6GEYJ472V	M 4.7K OHM J 1/10W	1	
	R16490	ERJ6RED134V	M 130KOHM, 1/10W	1	
	R16491	ERJ6RED124	M 120KOHM, 1/10W	1	
	R16492	ERJ6RED154	M 150KOHM, 1/10W	1	
	R16493	ERJ6RBD103V	M 10KOHM, J, 1/10W	1	
	R16494	D1BD2001A044	M 2KOHM, 1/10W	1	
	R16495	D1BD6800A044	M 680 OHM, 1/10W	1	
	R16496	ERJ6GEYJ470V	M 47 OHM, J, 1/10W	1	
	R16497	ERJ6GEYF473	M 47KOHM, J, 1/10W	1	
	R16498	D0GD103JA036	M 10KOHM, J, 0.25W	1	
	R16501	D0GD101JA036	M 100 OHM, J, 0.25W	1	
	R16502	D0GD101JA036	M 100 OHM, J, 0.25W	1	

Safety	Ref. No.	Part No.	Part Name & Description	Pcs	Remarks
	R16503	ERJT06J100V	M 10 OHM,F,0.25W	1	
	R16504	ERJT06J750V	M 75 OHM,F,0.25W	1	
	R16506	ERJT06J100V	M 10 OHM,F,0.25W	1	
	R16509	ERJT08J1R0V	M 1.8OHM,J,0.33W	1	
	R16511	ERJ6GEYF473	M 47KOHM,J,1/10W	1	
	R16512	ERJ6GEYF473	M 47KOHM,J,1/10W	1	
	R16516	ERJ6GEYF473	M 47KOHM,J,1/10W	1	
	R16517	ERJ6GEYF473	M 47KOHM,J,1/10W	1	
	R16521	DOGD101JA036	M 100 OHM,J,0.25W	1	
	R16522	DOGD101JA036	M 100 OHM,J,0.25W	1	
	R16523	ERJT06J750V	M 75 OHM,F,0.25W	1	
	R16531	ERJT06J100V	M 10 OHM,F,0.25W	1	
	R16532	ERJ6GEYF473	M 47KOHM,J,1/10W	1	
	R16533	ERJ6GEYF473	M 47KOHM,J,1/10W	1	
	R16534	ERJT08J1R0V	M 1.8OHM,J,0.33W	1	
	R16536	ERJT08J1R0V	M 1.8OHM,J,0.33W	1	
	R16551	ERJT06J100V	M 10 OHM,F,0.25W	1	
	R16552	ERJ6GEYF473	M 47KOHM,J,1/10W	1	
	R16553	ERJ6GEYF473	M 47KOHM,J,1/10W	1	
	R16561	EXB38V470J	RESISTOR ARRAY	1	
	R16562	EXB38V470J	RESISTOR ARRAY	1	
	R16563	EXB38V470J	RESISTOR ARRAY	1	
	R16564	EXB38V470J	RESISTOR ARRAY	1	
	R16565	EXB38V472JV	RESISTOR ARRAY	1	
	R16566	EXB38V472JV	RESISTOR ARRAY	1	
	R16567	EXB38V472JV	RESISTOR ARRAY	1	
	R16568	EXB38V472JV	RESISTOR ARRAY	1	
	R16570	EXB38V472JV	RESISTOR ARRAY	1	
	R16573	ERJ6GEYJ220	M 22 OHM,J,1/10W	1	
	R16579	EXB38V470J	RESISTOR ARRAY	1	
	R16582	D1BD3902A044	M 39KOHM, 1/10W	1	
	R16583	D1BD3902A044	M 39KOHM, 1/10W	1	
	R16584	D1BD6801A044	M 6.8KOHM, 1/10W	1	
	R16585	D1BD1001A044	M 1KOHM, 1/10W	1	
	R16586	D1BD2151A044	M2.15KOHM, 1/10W	1	
	R16587	ERJ6GEYJ222V	M 2.2K OHM J 1/10W	1	
	R16588	DOGD103JA036	M 10KOHM,J,0.25W	1	
	R16590	ERJ6GEYJ221V	M 220 OHM,J,1/10W	1	
	R16591	EXB38V472JV	RESISTOR ARRAY	1	
	R16592	ERJ6GEYJ472V	M 4.7K OHM J 1/10W	1	
	R16593	D1BD1401A044	M 1.4KOHM, 1/10W	1	
	R16602	ERJ6GEYJ102V	M 1K OHM J 1/10W	1	
	R16604	ERJ6GEYJ331V	M 330 OHM J 1/10W	1	
	R16605	ERJ6GEYJ182	M 1.8KOHM,J,1/10W	1	
	R16606	DOGD103JA036	M 10KOHM,J,0.25W	1	
	R16607	D1BD6651A044	M6.65KOHM, 1/10W	1	
	R16608	ERJT08J102V	M 1KOHM,J,0.33W	1	
	R16609	ERJT08J102V	M 1KOHM,J,0.33W	1	
	R16610	ERJ6GEYJ104V	M 100KOHM,J,1/10W	1	
	R16611	ERJ8GEYJ683	M 68KOHM, J,1/8W	1	
	R16612	ERJT06J470V	M 47 OHM,F,0.25W	1	
	R16613	ERJ8GEYJ473	M 47KOHM, J,1/8W	1	
	R16614	ERJ8GEYJ683	M 68KOHM, J,1/8W	1	
	R16615	D1BD1101A044	M1.41KOHM, 1/10W	1	
	R16617	ERJ6GEYJ222V	M 2.2K OHM J 1/10W	1	
	R16621	ERJ6GEYJ221V	M 220 OHM,J,1/10W	1	
	R16622	ERJ6GEYJ221V	M 220 OHM,J,1/10W	1	
	R16627	ERJ6GEYJ220	M 22 OHM,J,1/10W	1	
	R16628	ERJ6GEYF473	M 47KOHM,J,1/10W	1	
	R16631	DOGD103JA036	M 10KOHM,J,0.25W	1	
	R16633	ERJ6GEYJ223	M 22KOHM,J,1/10W	1	

Safety	Ref. No.	Part No.	Part Name & Description	Pcs	Remarks
	R16634	ERJ6GEYJ471	M 470 OHM,J,1/10W	1	
	R16646	D1BD1181A044	M1.18KOHM, 1/10W	1	
	R16648	ERJT08J202V	M 2KOHM,J, 0.33W	1	
	R16649	ERJT06J330V	M 33 OHM,F,0.25W	1	
	R16650	ERJ6GEYJ104V	M 100KOHM,J,1/10W	1	
	R16651	ERJT08J202V	M 2KOHM,J, 0.33W	1	
	R16652	ERJ6GEYF822	M 8.2KOHM,F,1/10W	1	
	R16653	ERJ8GEYJ182	M 1.8KOHM, J,1/8W	1	
	R16654	ERJ6GEYJ470V	M 47 OHM,J,1/10W	1	
	R16655	ERJ6GEYJ103V	M 10K OHM J 1/10W	1	
	R16656	ERJ8GEYJ472V	M 4.7KOHM, J,1/8W	1	
	R16657	ERJ6GEYJ103V	M 10K OHM J 1/10W	1	
	R16658	D1BD6491A044	M6.49KOHM, 1/10W	1	
	R16660	ERJ6GEYJ222V	M 2.2K OHM J 1/10W	1	
	R16661	ERJ6GEYJ122V	M 1.2KOHM,J,1/10W	1	
	R16662	D1BD1002A044	M10.0KOHM, 1/10W	1	
	R16663	D1BD6801A044	M 6.8KOHM, 1/10W	1	
	R16664	ERJT08J202V	M 2KOHM,J, 0.33W	1	
	R16665	ERJT06J330V	M 33 OHM,F,0.25W	1	
	R16666	ERJ6GEYJ223	M 22KOHM,J,1/10W	1	
	R16667	ERJT08J202V	M 2KOHM,J, 0.33W	1	
	R16668	ERJT08J202V	M 2KOHM,J, 0.33W	1	
	R16673	ERJ6GEYJ472V	M 4.7K OHM J 1/10W	1	
	R16674	ERJT08J202V	M 2KOHM,J, 0.33W	1	
	R16675	ERJ6GEYJ472V	M 4.7K OHM J 1/10W	1	
	R16677	ERJT08J202V	M 2KOHM,J, 0.33W	1	
	R16678	ERJT08J202V	M 2KOHM,J, 0.33W	1	
	R16679	D1BD7501A044	M 7.5KOHM, 1/10W	1	
	R16680	ERJ6GEYJ472V	M 4.7K OHM J 1/10W	1	
	R16681	ERJT06J100V	M 10 OHM,F,0.25W	1	
	R16682	ERJT06J100V	M 10 OHM,F,0.25W	1	
	R16684	ERJ6GEYJ221V	M 220 OHM,J,1/10W	1	
	R16685	ERJ6GEYJ221V	M 220 OHM,J,1/10W	1	
	R16686	DOGD103JA036	M 10KOHM,J,0.25W	1	
	R16687	D1BD2702A044	M 27KOHM, 1/10W	1	
	R16688	D1BD1272A044	M12.7KOHM, 1/10W	1	
	R16690	ERJ6GEYJ472V	M 4.7K OHM J 1/10W	1	
	R16691	ERJ8GEYJ563	M 56KOHM, J,1/8W	1	
	R16692	ERJ6RBD152	M 1.5KOHM,J,1/10W	1	
	R16694	ERJ8GEYJ563	M 56KOHM, J,1/8W	1	
	R16695	ERJ6RBD152	M 1.5KOHM,J,1/10W	1	
	R16696	ERF5TK2R2	W 2.2 OHM, K, 5W	1	
	R16699	DOGD103JA036	M 10KOHM,J,0.25W	1	
	R16707	ERJ6GEYJ392	M 3.9KOHM,J,1/10W	1	
	R16711	ERJ6GEYJ472V	M 4.7K OHM J 1/10W	1	
	R16712	ERJ6GEYJ102V	M 1K OHM J 1/10W	1	
	R16713	ERG1FJS104D	M 100KOHM, J, 1W	1	
	R16714	ERJ6GEYF473	M 47KOHM,J,1/10W	1	
	R16715	ERJ6GEYJ103V	M 10K OHM J 1/10W	1	
	R16717	ERJ6GEYJ102V	M 1K OHM J 1/10W	1	
	R16719	ERJ3GEYJ220	M 22 OHM,J,1/16W	1	
	R16720	ERJ3GEYJ220	M 22 OHM,J,1/16W	1	
	R16721	ERJ3GEYJ220	M 22 OHM,J,1/16W	1	
	R16722	ERJ3GEYJ220	M 22 OHM,J,1/16W	1	
	R16723	ERJ3GEYJ220	M 22 OHM,J,1/16W	1	
	R16731	ERG2FJS104D	M 100KOHM, J, 2W	1	

Safety	Ref. No.	Part No.	Part Name & Description	Pcs	Remarks
	R16733	ERJ6GEYJ474	M 470KOHM, J, 1/10W	1	
	R16734	D1BD4991A044	M4.99KOHM, 1/10W	1	
	R16735	D1BD1873A044	M 187KOHM, 1/10W	1	
	R16736	D1BD1873A044	M 187KOHM, 1/10W	1	
	R16737	D1BD2053A044	M 205KOHM, 1/10W	1	
	R16742	D0GD103JA036	M 10KOHM, J, 0.25W	1	
	R16744	D1BD1273A044	M 127KOHM, 1/10W	1	
	R16745	D1BD2202A044	M 2.2KOHM, 1/10W	1	
	R16746	ERJT06J473V	M 47KOHM, F, 0.25W	1	
	R16747	ERJT06J103V	M 10KOHM, F, 0.25W	1	
	R16749	D0GD103JA036	M 10KOHM, J, 0.25W	1	
	R16750	ERJT06J123	M 12KOHM, F, 0.25W	1	
	R16751	ERJT06J154V	M 150KOHM, F, 0.25W	1	
	R16752	ERJ6GEYJ472V	M 4.7K OHM J 1/10W	1	
	R16753	ERJ6GEYJ224	M 220KOHM, J, 1/10W	1	
	R16755	ERJT06J123	M 12KOHM, F, 0.25W	1	
	R16756	ERJT06J123	M 12KOHM, F, 0.25W	1	
	R16761	ERJT06J100V	M 10 OHM, F, 0.25W	1	
	R16762	ERJ6GEYF473	M 47KOHM, J, 1/10W	1	
	R16763	ERJ6GEYF473	M 47KOHM, J, 1/10W	1	
	R16765	ERJT08J1R0V	M 1.8OHM, J, 0.33W	1	
	R16766	D0GDR00Z0002	M 0 OHM, 1/10W	1	
	R16769	ERJT06J750V	M 75 OHM, F, 0.25W	1	
	R16772	ERJ6GEYJ472V	M 4.7K OHM J 1/10W	1	
	R16773	ERJ6GEYJ102V	M 1K OHM J 1/10W	1	
	R16774	ERG1S273	M 27KOHM, J, 1W	1	
	R16775	ERJ6GEYJ472V	M 4.7K OHM J 1/10W	1	
	R16776	ERJ6GEYJ470V	M 47 OHM, J, 1/10W	1	
	R16777	ERJ6GEYJ103V	M 10K OHM J 1/10W	1	
	R16783	ERJT06J154V	M 150KOHM, F, 0.25W	1	
	R16785	D1BD1003A044	M 100KOHM, 1/10W	1	
	R16786	D1BD1003A044	M 100KOHM, 1/10W	1	
	R16787	D1BD3302A044	M 33KOHM, 1/10W	1	
	R16789	D0GD103JA036	M 10KOHM, J, 0.25W	1	
	R16791	ERJ6GEYJ102V	M 1K OHM J 1/10W	1	
	R16794	D1BD2003A044	M 200KOHM, 1/10W	1	
	R16795	D1BD2003A044	M 200KOHM, 1/10W	1	
	R16796	D1BD5602A044	M 56KOHM, 1/10W	1	
	R16797	ERJ6GEYJ220	M 22 OHM, J, 1/10W	1	
	R16798	ERJ6GEYJ222V	M 2.2K OHM J 1/10W	1	
	R16799	ERJ6GEYJ102V	M 1K OHM J 1/10W	1	
	R16801	D1BD4702A044	M 47KOHM, 1/10W	1	
	R16802	D1BD4702A044	M 47KOHM, 1/10W	1	
	R16804	ERJ8GEYJ104V	M 100KOHM, J, 1/8W	1	
	R16806	ERJ6GEYJ102V	M 1K OHM J 1/10W	1	
	R16812	ERJ6GEYJ182	M 1.8KOHM, J, 1/10W	1	
	R16813	ERJ8GEYJ222V	M 2.2KOHM, J, 1/8W	1	
	R16814	D1BD2212A044	M 22KOHM, 1/10W	1	
	R16815	D1BD2491A044	M2.49KOHM, 1/10W	1	
	R16818	D1BD3302A044	M 33KOHM, 1/10W	1	
	R16819	D1BD1003A044	M 100KOHM, 1/10W	1	
	R16820	D1BD1003A044	M 100KOHM, 1/10W	1	
	R16821	D1BD1003A044	M 100KOHM, 1/10W	1	
	R16822	ERJ6ENF8202	M 82KOHM, 1/10W	1	
	R16823	ERJ6ENF8202	M 82KOHM, 1/10W	1	
	R16824	D1BD3302A044	M 33KOHM, 1/10W	1	
	R16825	ERJT06J154V	M 150KOHM, F, 0.25W	1	
	R16826	D0GD103JA036	M 10KOHM, J, 0.25W	1	
	R16829	ERJ6GEYJ102V	M 1K OHM J 1/10W	1	
	R16831	D1BD7152A044	M71.5KOHM, 1/10W	1	
	R16832	D1BD7152A044	M71.5KOHM, 1/10W	1	
	R16833	D0GD103JA036	M 10KOHM, J, 0.25W	1	

Safety	Ref. No.	Part No.	Part Name & Description	Pcs	Remarks
	R16838	ERJ14YJ563U	M 56KOHM, 1/2W	1	
	R16841	ERJ14YJ563U	M 56KOHM, 1/2W	1	
	R16844	D1BD1241A044	M1.24KOHM, 1/10W	1	
	R16845	D1BD7682A044	M71.5KOHM, 1/10W	1	
	R16846	D1BD8202A044	M 82KOHM, 1/10W	1	
	R16847	ERJ6GEYJ472V	M 4.7K OHM J 1/10W	1	
	R16848	ERJ6GEYJ472V	M 4.7K OHM J 1/10W	1	
	R16851	ERJ6GEYJ474	M 470KOHM, J, 1/10W	1	
	R16860	D0D28R2JA021	M 8.2 OHM, J, 2W	1	
	R16869	ERJ8GEYJ473	M 47KOHM, J, 1/8W	1	
	R16870	ERJ14YJ683	M 68KOHM, 1/2W	1	
	R16873	D1BD2491A044	M2.49KOHM, 1/10W	1	
	R16877	ERJ6GEYJ681	M 680 OHM, J, 1/10W	1	
	R16880	D0GBR00Z0002	M 0 OHM J 1/16W	1	
	R16891	D1BD4702A044	M 47KOHM, 1/10W	1	
	R16892	D1BD4702A044	M 47KOHM, 1/10W	1	
	R16893	D1BD4702A044	M 47KOHM, 1/10W	1	
	R16894	D1BD4702A044	M 47KOHM, 1/10W	1	
	R16895	D1BD4702A044	M 47KOHM, 1/10W	1	
	R16896	D1BD3302A044	M 33KOHM, 1/10W	1	
	R16897	D1BD1541A044	M1.54KOHM, 1/10W	1	
	R16898	D1BD2371A044	M2.37KOHM, 1/10W	1	
	R16899	D1BD2261A044	M22.6KOHM, 1/10W	1	
	R16900	D0GD103JA036	M 10KOHM, J, 0.25W	1	
	R16901	ERJ6GEYJ472V	M 4.7K OHM J 1/10W	1	
	R16904	ERJ6GEYJ223	M 22KOHM, J, 1/10W	1	
	R16919	D1BD8251A044	M82.5KOHM, 1/10W	1	
	R16920	D0GD103JA036	M 10KOHM, J, 0.25W	1	
	R16921	D1BD2611A044	M2.61KOHM, 1/10W	1	
	R16922	D1BD2001A044	M 2KOHM, 1/10W	1	
	R16923	ERJ6GEYJ103V	M 10K OHM J 1/10W	1	
	R16926	ERJ6GEYJ222V	M 2.2K OHM J 1/10W	1	
	R16927	ERJ6GEYJ223	M 22KOHM, J, 1/10W	1	
	R17100	ERJT08J472V	M4.7KOHM, J, 0.33W	1	
	R17101	ERJ3GEYJ101	M 100 OHM, J, 1/16W	1	
	R17102	ERJ3GEYJ101	M 100 OHM, J, 1/16W	1	
	R17103	ERJ3GEYJ201	M 200 OHM, J, 1/16W	1	
	R17104	ERJ3GEYJ101	M 100 OHM, J, 1/16W	1	
	R17105	ERJ3GEYJ101	M 100 OHM, J, 1/16W	1	
	R17106	ERJT14J6R8U	C6.8 OHM, J, 1/4W	1	
	R17107	ERJ3GEYJ201	M 200 OHM, J, 1/16W	1	
	R17108	ERJT14J6R8U	C6.8 OHM, J, 1/4W	1	
	R17109	ERJT14J6R8U	C6.8 OHM, J, 1/4W	1	
	R17110	ERJT14J6R8U	C6.8 OHM, J, 1/4W	1	
	R17111	ERJ3GEYJ101	M 100 OHM, J, 1/16W	1	
	R17112	ERJ3GEYJ101	M 100 OHM, J, 1/16W	1	
	R17113	ERJ3GEYJ201	M 200 OHM, J, 1/16W	1	
	R17114	ERJ3GEYJ101	M 100 OHM, J, 1/16W	1	
	R17115	ERJ3GEYJ101	M 100 OHM, J, 1/16W	1	
	R17116	ERJ3GEYJ201	M 200 OHM, J, 1/16W	1	
	R17117	ERJT14J6R8U	C6.8 OHM, J, 1/4W	1	
	R17118	ERJT14J6R8U	C6.8 OHM, J, 1/4W	1	
	R17119	ERJT14J6R8U	C6.8 OHM, J, 1/4W	1	
	R17120	ERJT14J6R8U	C6.8 OHM, J, 1/4W	1	
	R17123	ERJ6GEYJ102V	M 1K OHM J 1/10W	1	
	R17124	ERJ6GEYJ224	M 220KOHM, J, 1/10W	1	

Safety	Ref. No.	Part No.	Part Name & Description	Pcs	Remarks
	R17200	ERJ3GEYJ101	M 100 OHM,J,1/16W	1	
	R17201	ERJ3GEYJ101	M 100 OHM,J,1/16W	1	
	R17202	ERJ3GEYJ201	M 200 OHM,J,1/16W	1	
	R17203	ERJ3GEYJ101	M 100 OHM,J,1/16W	1	
	R17204	ERJT14J6R8U	C6.8 OHM, J,1/4W	1	
	R17205	ERJ3GEYJ101	M 100 OHM,J,1/16W	1	
	R17206	ERJT14J6R8U	C6.8 OHM, J,1/4W	1	
	R17207	ERJ3GEYJ201	M 200 OHM,J,1/16W	1	
	R17209	ERJT14J6R8U	C6.8 OHM, J,1/4W	1	
	R17210	ERJT14J6R8U	C6.8 OHM, J,1/4W	1	
	R17214	ERJ3GEYJ101	M 100 OHM,J,1/16W	1	
	R17215	ERJ3GEYJ101	M 100 OHM,J,1/16W	1	
	R17216	ERJ3GEYJ101	M 100 OHM,J,1/16W	1	
	R17217	ERJ3GEYJ101	M 100 OHM,J,1/16W	1	
	R17218	ERJ3GEYJ101	M 100 OHM,J,1/16W	1	
	R17219	ERJ3GEYJ101	M 100 OHM,J,1/16W	1	
	R17220	ERJT14J6R8U	C6.8 OHM, J,1/4W	1	
	R17221	ERJT14J6R8U	C6.8 OHM, J,1/4W	1	
	R17222	ERJT14J6R8U	C6.8 OHM, J,1/4W	1	
	R17223	ERJT14J6R8U	C6.8 OHM, J,1/4W	1	
	R17224	EXB38V470J	RESISTOR ARRAY	1	
	R17225	EXB38V470J	RESISTOR ARRAY	1	
	R17226	ERJ3GEYJ681	M 680 OHM,J,1/16W	1	
	R17227	EXB38V681J	RESISTOR ARRAY	1	
	R17228	DOGDR00Z0002	M 0 OHM, 1/10W	1	
	R17229	ERJ6GEYJ224	M 220KOHM,J,1/10W	1	
	R17230	ERJ3GEY0R00	M 0 OHM, 1/16W	1	
	R17231	ERJ3GEY0R00	M 0 OHM, 1/16W	1	
	R17300	EXB38V681J	RESISTOR ARRAY	1	
	R17301	ERJ3GEYJ681	M 680 OHM,J,1/16W	1	
	R17302	EXB38V470J	RESISTOR ARRAY	1	
	R17303	EXB38V470J	RESISTOR ARRAY	1	
	R17304	ERJ3GEYJ101	M 100 OHM,J,1/16W	1	
	R17305	ERJ3GEYJ101	M 100 OHM,J,1/16W	1	
	R17306	ERJ3GEYJ201	M 200 OHM,J,1/16W	1	
	R17307	ERJT14J6R8U	C6.8 OHM, J,1/4W	1	
	R17308	ERJT14J6R8U	C6.8 OHM, J,1/4W	1	
	R17309	ERJ3GEYJ101	M 100 OHM,J,1/16W	1	
	R17310	ERJ3GEYJ101	M 100 OHM,J,1/16W	1	
	R17312	ERJ3GEYJ201	M 200 OHM,J,1/16W	1	
	R17313	ERJT14J6R8U	C6.8 OHM, J,1/4W	1	
	R17314	ERJT14J6R8U	C6.8 OHM, J,1/4W	1	
	R17318	ERJ3GEYJ101	M 100 OHM,J,1/16W	1	
	R17319	ERJ3GEYJ101	M 100 OHM,J,1/16W	1	
	R17320	ERJ3GEYJ201	M 200 OHM,J,1/16W	1	
	R17321	EXB38V681J	RESISTOR ARRAY	1	
	R17322	ERJT14J6R8U	C6.8 OHM, J,1/4W	1	
	R17323	EXB38V681J	RESISTOR ARRAY	1	
	R17324	ERJT14J6R8U	C6.8 OHM, J,1/4W	1	
	R17325	EXB38V470J	RESISTOR ARRAY	1	
	R17326	EXB38V470J	RESISTOR ARRAY	1	
	R17327	ERJ3GEYJ101	M 100 OHM,J,1/16W	1	

Safety	Ref. No.	Part No.	Part Name & Description	Pcs	Remarks
	R17328	ERJ3GEYJ101	M 100 OHM,J,1/16W	1	
	R17329	ERJ3GEYJ201	M 200 OHM,J,1/16W	1	
	R17330	ERJT14J6R8U	C6.8 OHM, J,1/4W	1	
	R17331	ERJT14J6R8U	C6.8 OHM, J,1/4W	1	
	R17332	ERJ3GEYJ101	M 100 OHM,J,1/16W	1	
	R17333	ERJ3GEYJ101	M 100 OHM,J,1/16W	1	
	R17334	ERJ3GEYJ201	M 200 OHM,J,1/16W	1	
	R17335	ERJT14J6R8U	C6.8 OHM, J,1/4W	1	
	R17336	ERJT14J6R8U	C6.8 OHM, J,1/4W	1	
	R17337	ERJ3GEYJ101	M 100 OHM,J,1/16W	1	
	R17338	ERJ3GEYJ101	M 100 OHM,J,1/16W	1	
	R17339	ERJ3GEYJ201	M 200 OHM,J,1/16W	1	
	R17340	ERJT14J6R8U	C6.8 OHM, J,1/4W	1	
	R17341	ERJT14J6R8U	C6.8 OHM, J,1/4W	1	
	R17342	ERJ3GEYJ101	M 100 OHM,J,1/16W	1	
	R17343	ERJ3GEYJ101	M 100 OHM,J,1/16W	1	
	R17344	ERJ6GEYJ224	M 220KOHM,J,1/10W	1	
	R17345	ERJ3GEYJ101	M 100 OHM,J,1/16W	1	
	R17346	ERJT14J6R8U	C6.8 OHM, J,1/4W	1	
	R17347	ERJT14J6R8U	C6.8 OHM, J,1/4W	1	
	R17348	ERJT08J472V	M4.7KOHM,J,0.33W	1	
	R17360	DOGDR00Z0002	M 0 OHM, 1/10W	1	
	RM2501	B3RAD0000160	REMOTE SENSOR	1	
	S1B	K1KA03BA0237	3P CONNECTOR	1	
	SC2	K1KY02B00012	2P CONNECTOR	1	
	SC20	K1MY35BA0345	35P CONNECTOR	1	
	SC41	K1KY09AA0745	9P CONNECTOR	1	
	SC42	K1KY09AA0745	9P CONNECTOR	1	
	SC46	K1KY09AA0745	9P CONNECTOR	1	
	SC50	K1KA02AA0193	2P CONNECTOR	1	
	SS11	K1KA03A00608	3P CONNECTOR	1	
	SS21	K1KA07A00170	7P CONNECTOR	1	
	SS24	K1KB07AA0087	7P CONNECTOR	1	
	SS33	K1KA08B00270	8P CONNECTOR	1	
	SS53	K1MN13B00091	13P CONNECTOR	1	
	SS55	K1MN13B00091	13P CONNECTOR	1	
	SS56	K1MN13B00091	13P CONNECTOR	1	
	SS58	K1MN13B00091	13P CONNECTOR	1	
	△	SW2500	K0F162B00002	SWITCH	1
		SW3759	EVQ11G05R	SWITCH	1
		SW3760	EVQ11G05R	SWITCH	1
		SW3761	EVQ11G05R	SWITCH	1
		SW3762	EVQ11G05R	SWITCH	1
		SW3763	EVQ11G05R	SWITCH	1
	△	TU2901A	ENG39E04GRF	TUNER	1 PAVCSG
		VR16600	EVMEASA00B54	CONTROL 50KOHMB 0.3W	1
		VR16601	EVMEASA00B53	CONTROL 5KOHMB 0.3W	1
		X1100	H0J100500035	CRYSTAL	1
		X2010	H0J245500089	CRYSTAL	1
		X8001	H0J270500120	CRYSTAL	1
		X9900	H0J200500076	CRYSTAL	1
		ZA16001	K4CD01000011	AV TERMINAL	1

Safety	Ref. No.	Part No.	Part Name & Description	Pcs	Remarks
	ZA16002	K4CD01000011	AV TERMINAL	1	
	ZA16003	K4CD01000011	AV TERMINAL	1	
	ZA16401	K4CD01000011	AV TERMINAL	1	
	ZA16402	K4CD01000011	AV TERMINAL	1	
	ZA16403	K4CD01000011	AV TERMINAL	1	
	ZA17100	K4AD01Z00001	TERMINAL	1	
	ZA17101	K4AD01Z00001	TERMINAL	1	
	ZA17102	K4AD01Z00001	TERMINAL	1	
	ZA17103	K4AD01Z00001	TERMINAL	1	
	ZA17200	K4AD01Z00001	TERMINAL	1	
	ZA17201	K4AD01Z00001	TERMINAL	1	
	ZA17202	K4AD01Z00001	TERMINAL	1	
	ZA17203	K4AD01Z00001	TERMINAL	1	
	ZA17300	K4AD01Z00001	TERMINAL	1	
	ZA17301	K4AD01Z00001	TERMINAL	1	
	ZA17302	K4AD01Z00001	TERMINAL	1	
	ZA17303	K4AD01Z00001	TERMINAL	1	
	ZA17304	K4AD01Z00001	TERMINAL	1	
△	A601	AYRA652MSV8T	ARRESTOR	1	
	C201	ECJ2XB1H104K	C 0.1UF, K, 50V	1	
	C202	ACKZE1H220T	50V 22PF	1	
	C203	ECJ2XB1H104K	C 0.1UF, K, 50V	1	
	C204	ACMBB474K2T	CERAMIC CHIP CAPACITOR	1	
	C205	ACMBB474K2T	CERAMIC CHIP CAPACITOR	1	
	C206	ACCC3AD470JP	CERAMIC CAPACITOR	1	
	C207	ECJ1VB1H103K	C 0.001UF, K, 50V	1	
	C208	ACMEB224K1T	CERAMIC CHIP CAPACITOR	1	
	C209	ECJ1VB1H222K	C 2200PF, K, 50V	1	
	C211	ECJ1XC1H101J	C 100PF, J, 50V	1	
	C212	ECWH8333HVB	P 0.033PF, J, 8KV	1	
	C214	ECWF6104JLB	P 0.10UF, J, 250V	1	
	C215	ECWF6104JLB	P 0.10UF, J, 250V	1	
	C216	ACDE1SL221JP	CERAMIC CAPACITOR	1	
	C217	ACRR3DD122KP	CERAMIC CAPACITOR	1	
	C218	ACDE1SL100DP	CERAMIC CAPACITOR	1	
	C251	ACDE1R152KT	CERAMIC CAPACITOR	1	
	C253	ACCST230132L	ELECTROLYTIC CAPACITOR	1	
	C256	ACMEB105K1T	CERAMIC CHIP CAPACITOR	1	
	C257	ECJ1VC1H471J	C 470PF J 50V	1	
	C258	ECQE2224RKF	P 2.2UF, K, 250V	1	
	C352	ACKZE1V561T	ELECTROLYTIC CAPACITOR	1	
△	C353	ACKZE1K821E	A1 ELECTROLYTIC CAPACITOR	1	
	C354	ACKZE1H100T	50V 10PF	1	
△	C355	ACKZE1K821E	A1 ELECTROLYTIC CAPACITOR	1	
	C358	ECQE2104SKF	250V 0.1PF	1	
	C359	ACTBB224K5T	CERAMIC CHIP CAPACITOR	1	
	C360	ECJ1VC1H471J	C 470PF J 50V	1	
	C361	ECQE2224RKF	P 2.2UF, K, 250V	1	
	C366	ACKZE1E471LLT	25V 470PF	1	
	C367	ECQV1H105JL	50V 1PF	1	
	C369	ACKZE1A102ST	ELECTROLYTIC CAPACITOR	1	
	C370	ACMEB104K5T	CERAMIC CHIP CAPACITOR	1	
	C374	ACMAB105K5T	CERAMIC CHIP CAPACITOR	1	
	C375	ACMAB105K5T	CERAMIC CHIP CAPACITOR	1	

Safety	Ref. No.	Part No.	Part Name & Description	Pcs	Remarks
	C376	ACMEB105K1T	CERAMIC CHIP CAPACITOR	1	
	C379	ECJ1VB1H472K	C 4700PF, K, 50V	1	
	C380	ACMEB333K5T	CERAMIC CHIP CAPACITOR	1	
	C381	ACKZE1V271T	ELECTROLYTIC CAPACITOR	1	
	C382	ECJ1VB1H102K	C 1000PF, K, 50V	1	
	C383	ACMEB474K1T	CERAMIC CHIP CAPACITOR	1	
	C384	ACRC2HD222KP	CERAMIC CAPACITOR	1	
	C385	ECJ1VB1E223K	C 0.023UF, K, 25V	1	
△	C501	ACLE103KC	PLASTIC FILM CAPACITOR (Xcap)	1	
△	C503	ACKMQ2W330T	A1 ELECTROLYTIC CAPACITOR	1	
	C504	ECJ1VB1H103K	C 0.001UF, K, 50V	1	
	C505	ACKZE1H220T	50V 22PF	1	
	C506	ECJ1VB1H102K	C 1000PF, K, 50V	1	
	C507	ECJ1VB1H103K	C 0.001UF, K, 50V	1	
	C508	ACMBB474K2T	CERAMIC CHIP CAPACITOR	1	
	C509	ECJ1VB1H103K	C 0.001UF, K, 50V	1	
	C510	ACKZE1H100T	50V 10PF	1	
	C511	ECJ1VB1H102K	C 1000PF, K, 50V	1	
	C512	ACMEB103K5T	CERAMIC CHIP CAPACITOR	1	
	C513	ECJ1VB1H102K	C 1000PF, K, 50V	1	
	C514	ACKZE1H221T	50V 220PF	1	
	C515	ACKZE1H220T	50V 22PF	1	
	C551	ACKZE1A471C	10V 470PF	1	
	C553	ACMEB474K1T	CERAMIC CHIP CAPACITOR	1	
	C554	ACKZE1E821LT	ELECTROLYTIC CAPACITOR	1	
	C555	ACMBB225K2T	CERAMIC CHIP CAPACITOR	1	
	C556	ACMBB105K2T	CERAMIC CHIP CAPACITOR	1	
	C557	ECJ2XB1H104K	C 0.1UF, K, 50V	1	
	C558	ECJ1VB1H103K	C 0.001UF, K, 50V	1	
	C560	ACKZE1E221T	ELECTROLYTIC CAPACITOR	1	
	C561	ACKZE1H100T	50V 10PF	1	
	C573	ECKD3A221KRP	C 220PF, K, 1KV	1	
△	C601	ACLEMX474KC	PLASTIC FILM CAPACITOR (Xcap)	1	
△	C602	ECKENA221KBR	C 221P 250V	1	
△	C603	ECKENA221KBR	C 221P 250V	1	
△	C604	ACLEMX474KC	PLASTIC FILM CAPACITOR (Xcap)	1	
	C605	ECWF2W105KA	PLASTIC FILM CAPACITOR (PP)	1	
	C606	ACTEB104K5T	CERAMIC CHIP CAPACITOR	1	
	C608	ACTEB683K5T	CERAMIC CHIP CAPACITOR	1	
	C609	ACTEB104K5T	CERAMIC CHIP CAPACITOR	1	
	C610	ACTEB223K5T	CERAMIC CHIP CAPACITOR	1	
	C611	ECJ1VC1H471J	C 470PF J 50V	1	
	C613	ECJ1VC1H471J	C 470PF J 50V	1	
	C614	ACTEB104K5T	CERAMIC CHIP CAPACITOR	1	
	C615	ACTEB104K5T	CERAMIC CHIP CAPACITOR	1	
	C616	ACTEB104K5T	CERAMIC CHIP CAPACITOR	1	
	C618	ECJ1VB1H472K	C 4700PF, K, 50V	1	
	C620	ACMBB474K2T	CERAMIC CHIP CAPACITOR	1	

Safety	Ref. No.	Part No.	Part Name & Description	Pcs	Remarks
	C621	ECQE6472B45	C 4700U 630V	1	
	C622	ECJ1VB1H103K	C 0.001UF, K, 50V	1	
△	C623	EETHD2W471LZ	A1 ELECTROLYTIC CAPACITOR	1	
△	C624	ECKENA331KBR	C 330P 250V	1	
	C626	ECJ1VB1H102K	C 1000PF, K, 50V	1	
	C627	ECQE6473RKF	P 0.047UF, K, 630V	1	
	C628	ACKZE1H220T	50V 22PF	1	
	C629	ECQV1H334JL	PLASTIC FILM CAPACITOR	1	
	C630	ECJ1XC1H102J	C 1000PF, J, 50V	1	
	C701	ACKZEA221T	ELECTROLYTIC CAPACITOR	1	
	C702	ACMEB104K5T	CERAMIC CHIP CAPACITOR	1	
	C703	ACMEB104K5T	CERAMIC CHIP CAPACITOR	1	
	C704	ECJ1VB1H103K	C 0.001UF, K, 50V	1	
	C705	ACMEB104K5T	CERAMIC CHIP CAPACITOR	1	
	C706	ECJ2VB1H102K	C 1000PF, J, 50V	1	
	C711	ECJ1VB1H103K	C 0.001UF, K, 50V	1	
	C712	ACMEB224K2T	CERAMIC CHIP CAPACITOR	1	
	C713	ECJ1VB1H103K	C 0.001UF, K, 50V	1	
	C714	ACMEB223K5T	CERAMIC CHIP CAPACITOR	1	
	CN01	AKB6B-PH-KS	CONNECTOR	1	
	D201	VDAG01AT	DIODE	1	
	D202	VDAG01AT	DIODE	1	
	D203	MA165TAKU	DIODE	1	
	D204	VDERA83-004T	DIODE	1	
	D205	VDERA83-004T	DIODE	1	
	D206	VDERA83-004T	DIODE	1	
	D207	VDERA83-004T	DIODE	1	
	D208	MA165TAKU	DIODE	1	
	D209	VDAG01AT	DIODE	1	
	D252	VDSAR02LFA4	DIODE	1	
	D253	VDYG971S8R	DIODE	1	
	D254	VDYG971S8R	DIODE	1	
	D351	VDFCH10A10	DIODE	1	
	D353	MA3DF3000S	DIODE	1	
	D356	VDRK36C4	DIODE	1	
	D358	VD1T7GA1	DIODE	1	
	D359	VDFCHS10A045	DIODE	1	
	D360	VDSAR02LFA4	DIODE	1	
△	D501	VDS1WBA80	DIODE	1	
	D502	MA165TAKU	DIODE	1	
	D503	VXST3D82BL3	DIODE	1	
	D504	VDAG01AT	DIODE	1	
	D505	VDAG01AT	DIODE	1	
△	D507	VD1T7GA1	DIODE	1	
	D551	VDFCH20B10	DIODE	1	
	D552	MA2DF3100S	DIODE	1	
	D601	MA165TAKU	DIODE	1	
	D602	MA165TAKU	DIODE	1	
△	D603	VDD20XB80	DIODE	1	
	D605	MA165TAKU	DIODE	1	
	D606	VDS3V60L1	DIODE	1	
	D607	VDYG982S6R	DIODE	1	
	D608	VDAG01AT	DIODE	1	
△	D609	VD1T7GA1	DIODE	1	
	D701	VDERA83-004T	DIODE	1	
△	F351	HU216008BEP	FUSE	1	
△	F501	HU5013002PRC	CARTRIDGE FUSE	1	
△	F601	HU5013010PRC	CARTRIDGE FUSE	1	
△	F602	HU5013010PRC	CARTRIDGE FUSE	1	

Safety	Ref. No.	Part No.	Part Name & Description	Pcs	Remarks
△	F603	HU216002BEP	FUSE	1	
	IC201	VINJM2904ME1	INTEGRATED CIRCUIT	1	
	IC202	VISSC9101M	INTEGRATED CIRCUIT	1	
	IC251	VIKIA431A	INTEGRATED CIRCUIT	1	
	IC351	VIKIA431A	INTEGRATED CIRCUIT	1	
	IC352	VISC2628T	INTEGRATED CIRCUIT	1	
	IC353	VIBD9703FP	INTEGRATED CIRCUIT	1	
△	IC501	MIP3E50MY	INTEGRATED CIRCUIT	1	
	IC551	VIKIA431A	INTEGRATED CIRCUIT	1	
	IC601	VIFA5502MTE1	INTEGRATED CIRCUIT	1	
	IC701	VILC87F2G081	INTEGRATED CIRCUIT	1	
	IC702	VIR3111N40AT	INTEGRATED CIRCUIT	1	
△	K602	ALKT329C93	RELAY	1	
△	K604	ALKT329C93	RELAY	1	
△	K605	ALKT329C93	RELAY	1	
	L351	AYS1615005Y	CHOKE COIL	1	
	L352	ELC10E470L	CHOKE COIL	1	
	L353	EXCELSA24T	FERRITE BEAD INDUCTOR	1	
	L501	EXCELSA35T	BEAD CHOKE	1	
	L502	EXCELDLR35V	CORE	1	
	L503	EXCELDLR35V	CORE	1	
△	L601	AYJ3110307Y	FILTER CHOKE	1	
△	L602	AYJ3110307Y	FILTER CHOKE	1	
	L603	ETB42AZ11GAD	FILTER CHOKE	1	
	L604	EXCELSA35T	BEAD CHOKE	1	
	P2	AKB2P3S-VH	CONNECTOR	1	
	P6	AKB12B-EH-A	12P CONNECTOR	1	
	P7	AKB11B-EH-A	11P CONNECTOR	1	
△	P9	AKS02B-VT	CONNECTOR	1	
	P11	AKB3P4S-VH-L	CONNECTOR	1	
	P25	AKB13B-PH-KS	13P CONNECTOR	1	
	P34	AKB3B-PH-KS	CONNECTOR	1	
	P35	AKB4B-PH-KS	CONNECTOR	1	
	P60	AKB3B-EH-A	CONNECTOR	1	
△	PC201	VPS2581AL2HE	OPTOISOLATOR	1	
△	PC301	VPS2581AL2HE	OPTOISOLATOR	1	
△	PC501	VPS2581AL2HE	OPTOISOLATOR	1	
△	PC502	VPS2581AL2HE	OPTOISOLATOR	1	
△	PC503	VPS2581AL2HE	OPTOISOLATOR	1	
△	PC504	VPS2581AL2HE	OPTOISOLATOR	1	
	Q201	2SC5866T	TRANSISTOR	1	
	Q202	2SC5866T	TRANSISTOR	1	
△	Q203	VKFMV19N57ES	FET	1	
△	Q204	VKFMV19N57ES	FET	1	
△	Q205	VKFMV19N57ES	FET	1	
△	Q206	VKFMV19N57ES	FET	1	
	Q207	2SA2094T	TRANSISTOR	1	
	Q208	2SA2094T	TRANSISTOR	1	
	Q354	2SD0601ARL	TRANSISTOR	1	
	Q355	2SJ651	FET	1	
	Q501	2SB710A-RTX	TRANSISTOR	1	
	Q502	2SK3018TL	FET	1	
	Q503	2SC5866T	TRANSISTOR	1	
	Q504	2SB709-R-RTX	TRANSISTOR	1	
	Q505	2SK3018TL	FET	1	
	Q506	2SB709-R-RTX	TRANSISTOR	1	

Safety	Ref. No.	Part No.	Part Name & Description	Pcs	Remarks
	Q551	2SJ651	FET	1	
	Q557	VKHAT1130R	FET	1	
△	Q601	VKTK20J60U	Nch MOS FET	1	
	Q602	2SC5866T	TRANSISTOR	1	
	Q603	2SA2094T	TRANSISTOR	1	
△	Q604	VKTK20J60U	Nch MOS FET	1	
	Q605	2SB709-R-RTX	TRANSISTOR	1	
	Q606	2SD0601ARL	TRANSISTOR	1	
△	Q607	VKTK20J60U	Nch MOS FET	1	
	Q701	2SD0601ARL	TRANSISTOR	1	
	Q702	2SD0601ARL	TRANSISTOR	1	
	Q703	2SB710A-RTX	TRANSISTOR	1	
	Q704	2SD0601ARL	TRANSISTOR	1	
	Q705	2SB710A-RTX	TRANSISTOR	1	
	R201	D0GB103JA057	M 10K OHM J 1/16W	1	
	R202	ERJ6GEYJ100V	M 10 OHM, J, 1/10W	1	
	R203	ERJ3GEYJ223	M 22KOHM, J, 1/16W	1	
	R204	ERQ14AJ100JP	F 10 OHM, J, 1/4W	1	
	R206	ERQ14ZJ1R0JP	F 10 OHM, J, 1/4W	1	
	R207	ERQ14AJ100JP	F 10 OHM, J, 1/4W	1	
	R209	ERJ6GEYJ222V	M 2.2K OHM J 1/10W	1	
	R210	ERJ3GEYJ223	M 22KOHM, J, 1/16W	1	
	R211	ERJ3GEYJ221	M 220 OHM, J, 1/16W	1	
	R212	ERJ3GEYJ333	M 33KOHM, J, 1/16W	1	
	R213	ERJ3GEYJ223	M 22KOHM, J, 1/16W	1	
	R214	ERJ3GEYJ222	M 2.2KOHM, J, 1/16W	1	
	R215	ERJ3GEYD153V	M 15KOHM, J, 1/16W	1	
	R216	D0GB102JA057	M 1KOHM, J, 1/16W	1	
	R225	ERJ6GEYJ104V	M 100KOHM, J, 1/10W	1	
	R226	ERJ6GEYJ104V	M 100KOHM, J, 1/10W	1	
	R227	ERJ6ENF1001	M 1KOHM, 1/10W	1	
	R228	ERJ3GEYJ682	M 6.8KOHM, J, 1/16W	1	
	R229	ERJ3GEYJ472	M 4.7KOHM, J, 1/16W	1	
	R231	ERJ6GEYJ104V	M 100KOHM, J, 1/10W	1	
	R232	ERJ6GEYJ104V	M 100KOHM, J, 1/10W	1	
	R233	ERJ6ENF82R0	M 82 OHM, 1/10W	1	
	R234	ERJ6ENF27R0	M 0.27KOHM, 1/10W	1	
	R235	ERJ6GEYJ104V	M 100KOHM, J, 1/10W	1	
	R236	ARRCR2F1004T	METAL GLAZE FIXED RESISTOR	1	
	R251	ARRCR1F1503T	METAL GLAZE FIXED RESISTOR	1	
	R252	ARRCR1F1503T	METAL GLAZE FIXED RESISTOR	1	
	R253	ARRCR1F1503T	METAL GLAZE FIXED RESISTOR	1	
	R258	D0GB102JA057	M 1KOHM, J, 1/16W	1	
	R259	ERJ6GEYJ102V	M 1K OHM J 1/10W	1	
	R260	ERJ6GEYJ101V	M 100 OHM, J, 1/10W	1	
	R261	D0GB1R0JA057	M 1.0 OHM J 1/16W	1	
	R262	ERJ6GEYJ681	M 680 OHM, J, 1/10W	1	
	R264	ERJ6ENF4422	M44.2KOHM, 1/10W	1	
	R265	ERJ6ENF4422	M44.2KOHM, 1/10W	1	
	R266	ERJ6ENF4422	M44.2KOHM, 1/10W	1	
	R267	ERJ6ENF4422	M44.2KOHM, 1/10W	1	
	R268	ERJ6ENF2491	M2.49KOHM, 1/10W	1	
	R270	ERJ6ENF6042	M60.4KOHM, 1/10W	1	
	R271	ERJ6GEYJ2R7V	M 2.7 OHM, J, 1/10W	1	
	R272	ERJ6GEYJ2R7V	M 2.7 OHM, J, 1/10W	1	

Safety	Ref. No.	Part No.	Part Name & Description	Pcs	Remarks
	R273	ERJ6GEYJ2R7V	M 2.7 OHM, J, 1/10W	1	
	R274	ERJ6GEYJ2R7V	M 2.7 OHM, J, 1/10W	1	
	R275	ERJ6GEYJ2R7V	M 2.7 OHM, J, 1/10W	1	
	R276	ERJ6GEYJ2R7V	M 2.7 OHM, J, 1/10W	1	
	R277	ERJ6GEYJ2R7V	M 2.7 OHM, J, 1/10W	1	
	R278	ERJ6GEYJ2R7V	M 2.7 OHM, J, 1/10W	1	
	R279	ERJ6GEYJ2R7V	M 2.7 OHM, J, 1/10W	1	
	R280	ERJ6GEYJ2R7V	M 2.7 OHM, J, 1/10W	1	
	R281	ERJ6GEYJ2R7V	M 2.7 OHM, J, 1/10W	1	
	R282	ERJ6GEYJ2R7V	M 2.7 OHM, J, 1/10W	1	
	R283	ERJ6GEYJ2R7V	M 2.7 OHM, J, 1/10W	1	
	R284	ERJ6GEYJ2R7V	M 2.7 OHM, J, 1/10W	1	
	R285	ERJ6GEYJ2R7V	M 2.7 OHM, J, 1/10W	1	
	R286	ERJ6GEYJ2R7V	M 2.7 OHM, J, 1/10W	1	
	R287	ERJ6GEYJ511	M 510 OHM, J, 1/10W	1	
	R300	ERJ6ENF4992	M49.9KOHM, 1/10W	1	
	R301	ERJ6ENF4992	M49.9KOHM, 1/10W	1	
	R302	ERJ6ENF4642	M46.4KOHM, 1/10W	1	
	R303	ERJ6ENF4642	M46.4KOHM, 1/10W	1	
	R304	ERJ6ENF4642	M46.4KOHM, 1/10W	1	
	R306	ERJ6GEYJ101V	M 100 OHM, J, 1/10W	1	
	R307	ERJ6GEYJ101V	M 100 OHM, J, 1/10W	1	
	R308	ERJ6GEYJ101V	M 100 OHM, J, 1/10W	1	
	R309	ERJ6GEYJ101V	M 100 OHM, J, 1/10W	1	
	R310	ERJ6GEYJ101V	M 100 OHM, J, 1/10W	1	
	R311	ERJ6GEYJ101V	M 100 OHM, J, 1/10W	1	
	R312	ERJ6GEYJ101V	M 100 OHM, J, 1/10W	1	
	R313	ERJ6GEYJ101V	M 100 OHM, J, 1/10W	1	
	R314	ERJ6GEYJ221V	M 220 OHM, J, 1/10W	1	
	R315	ERJ6GEYJ221V	M 220 OHM, J, 1/10W	1	
	R316	ERJ6GEYJ221V	M 220 OHM, J, 1/10W	1	
	R317	ERJ6GEYJ221V	M 220 OHM, J, 1/10W	1	
	R318	ERJ6GEYJ100V	M 10 OHM, J, 1/10W	1	
	R319	ERJ6GEYJ221V	M 220 OHM, J, 1/10W	1	
	R320	ERJ6GEYJ221V	M 220 OHM, J, 1/10W	1	
	R321	ERJ6GEYJ221V	M 220 OHM, J, 1/10W	1	
	R322	ERJ6GEYJ221V	M 220 OHM, J, 1/10W	1	
	R323	ERJ6GEYJ100V	M 10 OHM, J, 1/10W	1	
	R324	ERJ6GEYJ100V	M 10 OHM, J, 1/10W	1	
	R325	ERJ6GEYJ100V	M 10 OHM, J, 1/10W	1	
	R326	ERJ6GEYJ100V	M 10 OHM, J, 1/10W	1	
	R327	ERJ6GEYJ221V	M 220 OHM, J, 1/10W	1	
	R328	ERJ6GEYJ221V	M 220 OHM, J, 1/10W	1	
	R329	ERJ6GEYJ100V	M 10 OHM, J, 1/10W	1	
	R330	ERJ6GEYJ221V	M 220 OHM, J, 1/10W	1	

Safety	Ref. No.	Part No.	Part Name & Description	Pcs	Remarks
	R331	ERJ6GEYJ221V	M 220 OHM,J,1/10W	1	
	R332	ERJ6GEYJ100V	M 10 OHM,J,1/10W	1	
	R333	ERJ6GEYJ100V	M 10 OHM,J,1/10W	1	
	R334	ERJ6GEYJ100V	M 10 OHM,J,1/10W	1	
	R335	ERJ6GEYJ100V	M 10 OHM,J,1/10W	1	
	R336	ERJ6GEYJ221V	M 220 OHM,J,1/10W	1	
	R337	ERJ6GEYJ221V	M 220 OHM,J,1/10W	1	
	R338	ERJ6GEYJ221V	M 220 OHM,J,1/10W	1	
	R339	ERJ6GEYJ221V	M 220 OHM,J,1/10W	1	
	R340	ERJ6GEYJ100V	M 10 OHM,J,1/10W	1	
	R341	ERJ6GEYJ100V	M 10 OHM,J,1/10W	1	
	R342	ERJ6GEYJ100V	M 10 OHM,J,1/10W	1	
	R343	ERJ6GEYJ100V	M 10 OHM,J,1/10W	1	
	R344	ERJ6GEYJ100V	M 10 OHM,J,1/10W	1	
	R345	ERJ6GEYJ100V	M 10 OHM,J,1/10W	1	
	R351	D0GB102JA057	M 1KOHM,J,1/16W	1	
	R352	D0GB102JA057	M 1KOHM,J,1/16W	1	
	R353	ERJ6GEYJ102V	M 1K OHM J 1/10W	1	
	R354	ERJ6GEYJ102V	M 1K OHM J 1/10W	1	
	R355	ERJ6GEYJ222V	M 2.2K OHM J 1/10W	1	
	R356	ERJ6ENF2672	M26.7KOHM, 1/10W	1	
	R357	ERJ6ENF2612	M26.1KOHM, 1/10W	1	
	R358	ERJ6ENF2491	M2.49KOHM, 1/10W	1	
	R359	ERJ6ENF1102	M 11KOHM, 1/10W	1	
	R360	ERJ12YJ473U	M 47KOHM,J, 1/2W	1	
	R361	ERJ12YJ473U	M 47KOHM,J, 1/2W	1	
	R362	ERJ12YJ473U	M 47KOHM,J, 1/2W	1	
	R363	ERJ12YJ473U	M 47KOHM,J, 1/2W	1	
	R371	ERJ6RND1782	CHIP RESISTOR	1	
	R372	ERJ6RND1001	CHIP RESISTOR	1	
	R374	ERJ6ENF3301	M 3.3KOHM, 1/10W	1	
	R375	ERJ6ENF8200	M 820 OHM, 1/10W	1	
	R383	ERJ6GEYJ223	M 22KOHM,J,1/10W	1	
	R384	ERJ6ENF3402	M 34KOHM, 1/10W	1	
	R385	ERJ6ENF3402	M 34KOHM, 1/10W	1	
	R386	ERJ6ENF1582	M15.8KOHM, 1/10W	1	
	R387	ERJ6ENF1582	M15.8KOHM, 1/10W	1	
	R389	ERJ3GEYJ104	M 100KOHM,J,1/16W	1	
	R390	ERJ3GEYOR00	M 0 OHM, 1/16W	1	
	R391	ERJ6GEYJ183V	M 18KOHM,J,1/10W	1	
	R392	ERJ6ENF3921	M3.92KOHM, 1/10W	1	
	R393	ERJ6GEYJ472V	M 4.7K OHM J 1/10W	1	
	R394	ERJ6ENF1002	M 10KOHM, 1/10W	1	
	R395	ERJ6GEYJ683V	M 68K OHM J 1/10W	1	
	R396	ERJ6GEYJ683V	M 68K OHM J 1/10W	1	
	R397	ERJ6GEYJ683V	M 68K OHM J 1/10W	1	
	R398	D0GB102JA057	M 1KOHM,J,1/16W	1	
	R501	ARRCR1F8253T	METAL GLAZE FIXED RESISTOR	1	
	R502	ARRCR1F8253T	METAL GLAZE FIXED RESISTOR	1	
	R503	ARRCR1F8253T	METAL GLAZE FIXED RESISTOR	1	
	R504	ARRCR1F8253T	METAL GLAZE FIXED RESISTOR	1	
	R505	ARRCR1F8253T	METAL GLAZE FIXED RESISTOR	1	
	R506	ARRCR1F8253T	METAL GLAZE FIXED RESISTOR	1	
△	R507	ARRCR6J825M	METAL GLAZE FIXED RESISTOR	1	
	R508	ERJ3EKF1303	M 130KOHM, 1/16W	1	
	R509	D0GB103JA057	M 10K OHM J 1/16W	1	
	R510	D0GB183JA057	M 18K OHM J 1/16W	1	

Safety	Ref. No.	Part No.	Part Name & Description	Pcs	Remarks
	R511	ERJ3GEYOR00	M 0 OHM, 1/16W	1	
	R512	ERJ3GEYJ224	M 220KOHM,J,1/16W	1	
	R513	ERJ3GEYJ223	M 22KOHM,J,1/16W	1	
	R514	ERJ3EKF1303	M 130KOHM, 1/16W	1	
	R515	D0GB103JA057	M 10K OHM J 1/16W	1	
	R516	D0GB473JA057	M 47KOHM,J,1/16W	1	
	R517	ERJ3GEYOR00	M 0 OHM, 1/16W	1	
	R518	ERJ12YJ120	M 12 OHM,J, 1/2W	1	
	R519	ERJ3GEYJ224	M 220KOHM,J,1/16W	1	
	R520	ERDS2FJ121	C 120 OHM, J,1/4W	1	
	R521	ERJ3GEYJ223	M 22KOHM,J,1/16W	1	
	R522	ERJ6GEYJ180	M 18 OHM,J,1/10W	1	
	R523	ERJ12YJ120	M 12 OHM,J, 1/2W	1	
	R524	ERJ3GEYJ223	M 22KOHM,J,1/16W	1	
	R525	D0GB103JA057	M 10K OHM J 1/16W	1	
	R526	ERJ3GEYJ472	M 4.7KOHM,J,1/16W	1	
	R530	ERJ3GEYJ471	M 470 OHM,J,1/16W	1	
	R531	ERJ6ENF3303	M 330KOHM, 1/10W	1	
	R551	ERJ6GEYJ150V	M 15 OHM,J,1/10W	1	
	R552	ERJ3GEYJ472	M 4.7KOHM,J,1/16W	1	
	R553	D0GB102JA057	M 1KOHM,J,1/16W	1	
	R554	ERDS2FJ102	M 1KOHM,J,1/10W	1	
	R555	ERJ3EKF1072	M10.7KOHM, 1/16W	1	
	R556	ERJ3EKF1002	M 10KOHM, 1/16W	1	
	R557	ERJ3GEYD153V	M 15KOHM,J,1/16W	1	
	R558	ERJ6GEYF473	M 47KOHM,J,1/10W	1	
	R570	D0GB473JA057	M 47KOHM,J,1/16W	1	
	R573	ERJ3GEYJ332	M 3.3KOHM,J,1/16W	1	
	R574	ERG2SJS561H	M 560 OHM, J, 2W	1	
	R575	ERJ6GEYJ474	M 470KOHM,J,1/10W	1	
△	R601	ARRCR5J624M	METAL GLAZE FIXED RESISTOR	1	
	R603	ERJ6ENF8062	M80.6KOHM, 1/10W	1	
	R604	ERJ6ENF8062	M80.6KOHM, 1/10W	1	
	R605	ERJ6ENF8062	M80.6KOHM, 1/10W	1	
	R606	ERJ6ENF8062	M80.6KOHM, 1/10W	1	
	R607	ERJ3EKF3302	M 33KOHM, 1/16W	1	
	R608	ERJ3EKF2701	M 2.7KOHM, 1/16W	1	
	R609	ERJ3GEYJ104	M 100KOHM,J,1/16W	1	
	R610	ERJ3GEYJ100	M 10 OHM,J,1/16W	1	
	R611	ERJ3GEYJ100	M 10 OHM,J,1/16W	1	
	R612	ERJ3EKF3162	M31.6KOHM, 1/16W	1	
	R613	D0GB103JA057	M 10K OHM J 1/16W	1	
	R614	ERJ3GEYJ474	M 470KOHM,J,1/16W	1	
	R615	D0GB123JA057	M 12K OHM J 1/16W	1	
	R616	ARRF2EJR15B	METAL PLATE RESISTOR	1	
	R617	ARRF2EJR15B	METAL PLATE RESISTOR	1	
	R618	ARRF2EJR15B	METAL PLATE RESISTOR	1	
	R620	ERJ3EKF3302	M 33KOHM, 1/16W	1	
	R621	ERJ3EKF6041	M6.04KOHM, 1/16W	1	
	R622	ERJ3EKF3242	M32.4KOHM, 1/16W	1	
	R623	ERJ3EKF6191	M6.19KOHM, 1/16W	1	
	R624	ERJ6GEYJ472V	M 4.7K OHM J 1/10W	1	
	R625	ERDS2FJ101	C 100 OHM, J,1/4W	1	
	R627	ERDS2FJ154	C 150KOHM, J,1/4W	1	
	R629	ERG12SJS150J	M 15 OHM, J,1/2W	1	

Safety	Ref. No.	Part No.	Part Name & Description	Pcs	Remarks
	R630	ERJ6GEYJ472V	M 4.7K OHM J 1/10W	1	
	R632	ERDS2FJ273	C 27KOHM, J,1/4W	1	
	R633	ERDS2FJ273	C 27KOHM, J,1/4W	1	
	R634	ARRCR1F4993T	METAL GLAZE FIXED RESISTOR	1	
	R635	ARRCR1F4993T	METAL GLAZE FIXED RESISTOR	1	
	R636	ARRCR1F4993T	METAL GLAZE FIXED RESISTOR	1	
	R637	ERJ6GEYJ183V	M 18KOHM, J,1/10W	1	
	R638	D0GB103JA057	M 10K OHM J 1/16W	1	
	R639	ARRCR1F5363T	METAL GLAZE FIXED RESISTOR	1	
	R640	ARRCR1F5363T	METAL GLAZE FIXED RESISTOR	1	
	R641	ARRCR1F5363T	METAL GLAZE FIXED RESISTOR	1	
	R642	ERJ6GEYF473	M 47KOHM, J,1/10W	1	
	R643	D0GB103JA057	M 10K OHM J 1/16W	1	
	R644	ERJ6ENF3303	M 330KOHM, 1/10W	1	
	R645	ERDS2FJ334	C 330KOHM, J,1/4W	1	
	R646	ARR5B100JC2	5W 10 OHM	1	
	R647	ERJ6GEYJ472V	M 4.7K OHM J 1/10W	1	
	R649	ERJ6ENF8062	M80.6KOHM, 1/10W	1	
	R650	ERJ6ENF8062	M80.6KOHM, 1/10W	1	
	R651	ERJ6GEYJ221V	M 220 OHM, J,1/10W	1	
	R652	ERJ6GEYJ221V	M 220 OHM, J,1/10W	1	
	R653	ERJ6GEYJ221V	M 220 OHM, J,1/10W	1	
	R654	ERJ6GEYJ221V	M 220 OHM, J,1/10W	1	
	R655	ERJ6GEYJ221V	M 220 OHM, J,1/10W	1	
	R656	ERJ6GEYJ221V	M 220 OHM, J,1/10W	1	
	R657	ERJ6GEYJ221V	M 220 OHM, J,1/10W	1	
	R658	ERJ6GEYJ221V	M 220 OHM, J,1/10W	1	
	R659	ERJ6GEYJ221V	M 220 OHM, J,1/10W	1	
	R670	ERJ6GEYJ221V	M 220 OHM, J,1/10W	1	
	R671	ERJ6GEYJ221V	M 220 OHM, J,1/10W	1	
	R672	ERJ6GEYJ221V	M 220 OHM, J,1/10W	1	
	R701	ERJ6GEYJ102V	M 1K OHM J 1/10W	1	
	R702	ERJ3GEYJ221	M 220 OHM, J,1/16W	1	
	R703	D0GB103JA057	M 10K OHM J 1/16W	1	
	R705	ERJ3GEYJ224	M 220KOHM, J,1/16W	1	
	R706	ERJ6GEYJ104V	M 100KOHM, J,1/10W	1	
	R707	D0GB103JA057	M 10K OHM J 1/16W	1	
	R708	D0GB103JA057	M 10K OHM J 1/16W	1	
	R711	ERJ3EKF4991	M4.99KOHM, 1/16W	1	
	R712	ERJ3EKF4991	M4.99KOHM, 1/16W	1	
	R713	ERJ3EKF4991	M4.99KOHM, 1/16W	1	
	R714	ERJ3GEYJ101	M 100 OHM, J,1/16W	1	
	R715	ERJ3GEYJ514	M 510KOHM, J,1/16W	1	
	R717	ERJ3GEYJ104	M 100KOHM, J,1/16W	1	
	R718	D0GB103JA057	M 10K OHM J 1/16W	1	

Safety	Ref. No.	Part No.	Part Name & Description	Pcs	Remarks
	R719	D0GB103JA057	M 10K OHM J 1/16W	1	
	R720	D0GB103JA057	M 10K OHM J 1/16W	1	
	R721	D0GB103JA057	M 10K OHM J 1/16W	1	
	R722	D0GB103JA057	M 10K OHM J 1/16W	1	
	R723	D0GB103JA057	M 10K OHM J 1/16W	1	
	R724	D0GB152JA057	M 1.5KOHM J 1/16W	1	
	R725	D0GB152JA057	M 1.5KOHM J 1/16W	1	
	R731	ERJ3GEYJ471	M 470 OHM, J,1/16W	1	
	R733	D0GB103JA057	M 10K OHM J 1/16W	1	
	R734	D0GB103JA057	M 10K OHM J 1/16W	1	
	R736	ERJ3GEYJ821	M820 OHM, J,1/16W	1	
	R738	D0GB102JA057	M 1KOHM, J,1/16W	1	
	R740	ERJ3GEYJ821	M820 OHM, J,1/16W	1	
	R741	D0GB103JA057	M 10K OHM J 1/16W	1	
	R742	ERJ3GEYJ821	M820 OHM, J,1/16W	1	
	R743	ERJ3GEYJ471	M 470 OHM, J,1/16W	1	
	R744	ERJ3GEYJ101	M 100 OHM, J,1/16W	1	
	R745	ERJ3GEYJ101	M 100 OHM, J,1/16W	1	
	R746	ERJ3GEYJ101	M 100 OHM, J,1/16W	1	
	R747	D0GB102JA057	M 1KOHM, J,1/16W	1	
	R748	D0GB103JA057	M 10K OHM J 1/16W	1	
	R749	ERJ3GEYJ221	M 220 OHM, J,1/16W	1	
	R750	ERJ3GEYJ221	M 220 OHM, J,1/16W	1	
	R751	D0GB102JA057	M 1KOHM, J,1/16W	1	
	R752	ERJ6GEYJ1R0	M 1 OHM, J,1/10W	1	
	R753	ERJ6GEYJ1R0	M 1 OHM, J,1/10W	1	
	△	RF501	HUA5MC100JP2	THERMAL CUTOFF WITH RESISTOR	1
	△	RF601	HUY5JA200JP	W 20 OHM, J, 5W	1
	△	T201	ETB42BJ17GAD	TRANSFORMER	1
	△	T301	ETB35BC29GAD	TRANSFORMER	1
	△	T501	ETB29AK1L8AD	TRANSFORMER	1
		VR251	EVMEASA01B15	VARIABLE RESIS- TOR	1
		VR351	EVMEASA01B54	VARIABLE RESIS- TOR	1
	△	Z601	ERZVGED751	VARISTOR	1
	△	Z602	ERZVGAD471	VARISTOR	1
		ZD353	MA4120NM	ZENER DIODE	1
		ZD354	MAZ4068NMF	ZENER DIODE	1
		ZD501	MA4300NMTA	ZENER DIODE	1
		ZD502	MA4300NMTA	ZENER DIODE	1
		ZD503	MA4300NMTA	ZENER DIODE	1
		ZD504	MA4150NMTA	ZENER DIODE	1
		ZD505	MA4300NMTA	ZENER DIODE	1
		ZD506	MA4220NM	ZENER DIODE	1
		ZD507	MA4082NM	ZENER DIODE	1
		ZD508	MA4150NMTA	ZENER DIODE	1
		ZD552	MA4062NM	ZENER DIODE	1
		ZD601	MA4051NM	ZENER DIODE	1
		ZD602	MA4047NM	ZENER DIODE	1
		ZD701	MA4036H	ZENER DIODE	1
		ZD702	MA4036H	ZENER DIODE	1

Safety	Ref. No.	Part No.	Part Name & Description	Pcs	Remarks