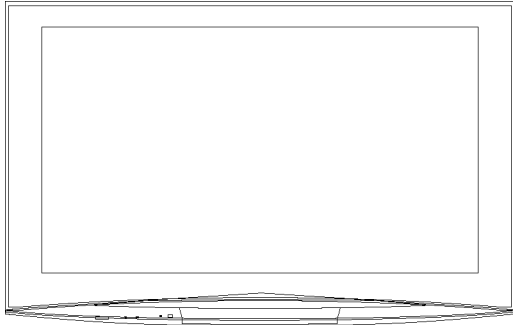


# Service Manual

Plasma TV




Model No. **TH-58PY850M**  
**TH-58PY850MR**  
**TH-58PY850MS**  
**TH-58PZ850A**

GPF11DA Chassis

## **WARNING**

This service information is designed for experienced repair technicians only and is not designed for use by the general public. It does not contain warnings or cautions to advise non-technical individuals of potential dangers in attempting to service a product. Products powered by electricity should be serviced or repaired only by experienced professional technicians. Any attempt to service or repair the product or products dealt with in this service information by anyone else could result in serious injury or death.

## **IMPORTANT SAFETY NOTICE**

There are special components used in this equipment which are important for safety. These parts are marked by  in the Schematic Diagrams, Circuit Board Diagrams, Exploded Views and Replacement Parts List. It is essential that these critical parts should be replaced with manufacturer's specified parts to prevent shock, fire or other hazards. Do not modify the original design without permission of manufacturer.

# Panasonic®

© 2008 Matsushita Electric Industrial Co., Ltd. All rights reserved. Unauthorized copying and distribution is a violation of law.

# 1 Safety Precautions

## 1.1. General Guidelines

1. When servicing, observe the original lead dress. If a short circuit is found, replace all parts which have been overheated or damaged by the short circuit.
2. After servicing, see to it that all the protective devices such as insulation barriers, insulation papers shields are properly installed.
3. After servicing, make the following leakage current checks to prevent the customer from being exposed to shock hazards.
4. When servicing, observe the original lead dress. If a short circuit is found, replace all parts which have been overheated or damaged by the short circuit.
5. After servicing, see to it that all the protective devices such as insulation barriers, insulation papers shields are properly installed.
6. After servicing, make the following leakage current checks to prevent the customer from being exposed to shock hazards.

## 1.2. Touch-Current Check

1. Plug the AC cord directly into the AC outlet. Do not use an isolation transformer for this check.
2. Connect a measuring network for touch currents between each exposed metallic part on the set and a good earth ground such as a water pipe, as shown in Figure 1.
3. Use Leakage Current Tester (Simpson 228 or equivalent) to measure the potential across the measuring network.
4. Check each exposed metallic part, and measure the voltage at each point.
5. Reserve the AC plug in the AC outlet and repeat each of the above measure.
6. The potential at any point (TOUGH CURRENT) expressed as voltage  $U_1$  and  $U_2$ , does not exceed the following values:

For a. c.:  $U_1 = 35 \text{ V}$  (peak) and  $U_2 = 0.35 \text{ V}$  (peak);

For d. c.:  $U_1 = 1.0 \text{ V}$ ,

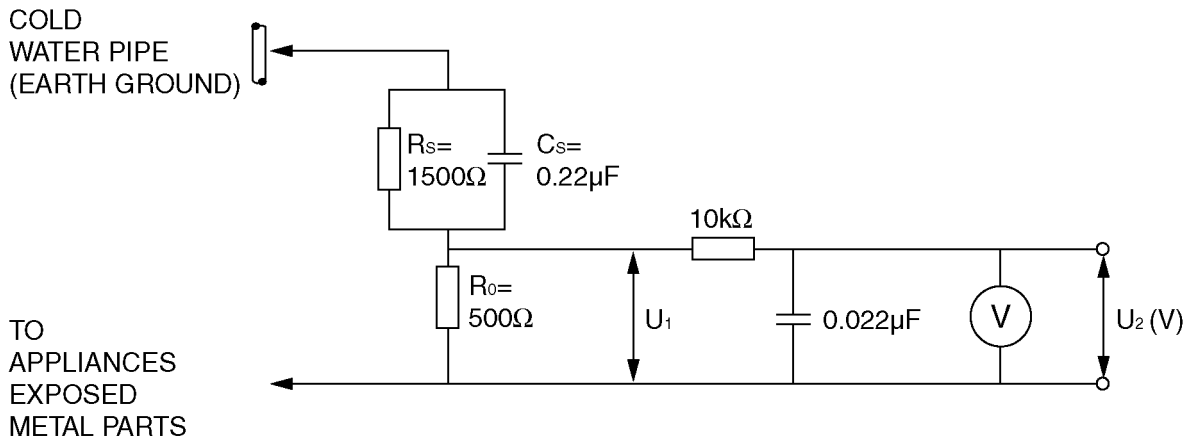
**Note:**

The limit value of  $U_2 = 0.35 \text{ V}$  (peak) for a. c. and  $U_1 = 1.0 \text{ V}$  for d. c. correspond to the values  $0.7 \text{ mA}$  (peak) a. c. and  $2.0 \text{ mA}$  d. c.

The limit value  $U_1 = 35 \text{ V}$  (peak) for a. c. correspond to the value  $70 \text{ mA}$  (peak) a. c. for frequencies greater than  $100 \text{ kHz}$ .

7. In case a measurement is out of the limits specified, there is a possibility of a shock hazard, and the equipment should be repaired and rechecked before it is returned to the customer.

### Measuring network for TOUCH CURRENTS



Resistance values in ohms ( $\Omega$ )

V: Voltmeter or oscilloscope  
(r.m.s. or peak reading)

Input resistance:  $\geq 1 \text{ M}\Omega$

Input capacitance:  $\leq 200 \text{ pF}$

Frequency range:  $15 \text{ Hz}$  to  $1 \text{ MHz}$  and d.c. respectively

NOTE - Appropriate measures should be taken to obtain the correct value in case of non-sinusoidal waveforms.

Figure 1

## 2 Warning

### 2.1. Prevention of Electrostatic Discharge (ESD) to Electrostatically Sensitive (ES) Devices

Some semiconductor (solid state) devices can be damaged easily by static electricity. Such components commonly are called Electrostatically Sensitive (ES) Devices. Examples of typical ES devices are integrated circuits and some field-effect transistors and semiconductor [chip] components. The following techniques should be used to help reduce the incidence of component damage caused by electrostatic discharge (ESD).

1. Immediately before handling any semiconductor component or semiconductor-equipped assembly, drain off any ESD on your body by touching a known earth ground. Alternatively, obtain and wear a commercially available discharging ESD wrist strap, which should be removed for potential shock reasons prior to applying power to the unit under test.
2. After removing an electrical assembly equipped with ES devices, place the assembly on a conductive surface such as aluminum foil, to prevent electrostatic charge buildup or exposure of the assembly.
3. Use only a grounded-tip soldering iron to solder or unsolder ES devices.
4. Use only an anti-static solder removal device. Some solder removal devices not classified as [anti-static (ESD protected)] can generate electrical charge sufficient to damage ES devices.
5. Do not use freon-propelled chemicals. These can generate electrical charges sufficient to damage ES devices.
6. Do not remove a replacement ES device from its protective package until immediately before you are ready to install it. (Most replacement ES devices are packaged with leads electrically shorted together by conductive foam, aluminum foil or comparable conductive material).
7. Immediately before removing the protective material from the leads of a replacement ES device, touch the protective material to the chassis or circuit assembly into which the device will be installed.

#### **Caution**

Be sure no power is applied to the chassis or circuit, and observe all other safety precautions.

8. Minimize bodily motions when handling unpackaged replacement ES devices. (Otherwise ham less motion such as the brushing together of your clothes fabric or the lifting of your foot from a carpeted floor can generate static electricity (ESD) sufficient to damage an ES device).

## 2.2. About lead free solder (PbF)

Note: Lead is listed as (Pb) in the periodic table of elements.

In the information below, Pb will refer to Lead solder, and PbF will refer to Lead Free Solder.

The Lead Free Solder used in our manufacturing process and discussed below is (Sn+Ag+Cu).

That is Tin (Sn), Silver (Ag) and Copper (Cu) although other types are available.

This model uses Pb Free solder in it's manufacture due to environmental conservation issues. For service and repair work, we'd suggest the use of Pb free solder as well, although Pb solder may be used.

PCBs manufactured using lead free solder will have the PbF within a leaf Symbol **PbF** stamped on the back of PCB.

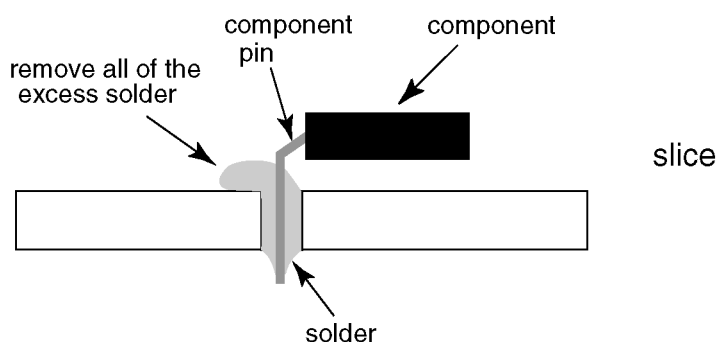
### Caution

- Pb free solder has a higher melting point than standard solder. Typically the melting point is 50 ~ 70 °F (30~40 °C) higher. Please use a high temperature soldering iron and set it to 700 ± 20 °F (370 ± 10 °C).

- Pb free solder will tend to splash when heated too high (about 1100 °F or 600 °C).

If you must use Pb solder, please completely remove all of the Pb free solder on the pins or solder area before applying Pb solder. If this is not practical, be sure to heat the Pb free solder until it melts, before applying Pb solder.

- After applying PbF solder to double layered boards, please check the component side for excess solder which may flow onto the opposite side. (see figure below)



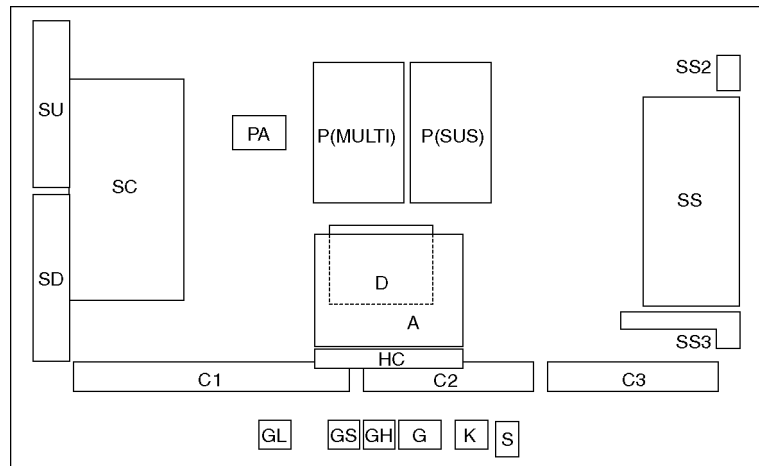
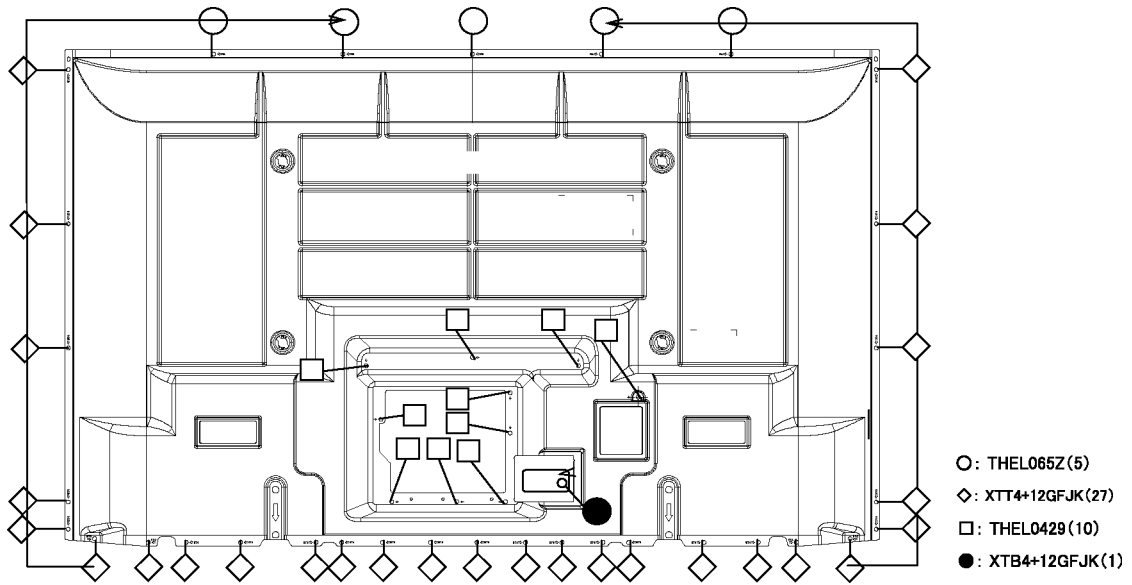
### Suggested Pb free solder

There are several kinds of Pb free solder available for purchase. This product uses Sn+Ag+Cu (tin, silver, copper) solder. However, Sn+Cu (tin, copper), Sn+Zn+Bi (tin, zinc, bismuth) solder can also be used.

0.3mm X 100g	0.6mm X 100g	1.0mm X 100g

# 3 Service Navigation

## 3.1. Service Hint



Board Name	Function	Board Name	Function
P	Power Supply	C1	Data Driver (Lower Right)
A	DC-DC Converter Speaker out, Sound Processor AV Terminal, AV Switch Digital Signal Processor, Micom, HDMI Interface Peaks PRO, GC6	C2	Data Driver (Lower Center)
		C3	Data Driver (Lower Left)
		SC	Scan Drive
		SU	Scan out (Upper)
		SD	Scan out (Lower)
D	Format Converter, Plasma AI, Sub-Field Processor	SS	Sustain Drive
K	Remote receiver, Power LED	SS2	Sustain connector (Upper)
S	Power Switch	SS3	Sustain connector (Lower)
GS	SD Card Slot	GH	HDMI4 in
GL	SD Blue LED	G	Front Terminal, Key Switch
HC	PC in, Audio out	PA	Fan control

## 3.2. Applicable signals

### COMPONENT (Y, P<sub>B</sub>/C<sub>B</sub>, P<sub>R</sub>/C<sub>R</sub>), HDMI

\* Mark: Applicable input signal

Signal name	COMPONENT	HDMI
525 (480) / 60i	*	*
525 (480) / 60p	*	*
625 (576) / 50i	*	*
625 (576) / 50p	*	*
750 (720) / 60p	*	*
750 (720) / 50p	*	*
1,125 (1,080) / 60i	*	*
1,125 (1,080) / 50i	*	*
1,125 (1,080) / 60p		*
1,125 (1,080) / 50p		*
1,125 (1,080) / 24p		*

### PC (D-sub 15P)

Signal name	Horizontal frequency (kHz)	Vertical frequency (Hz)
640 × 400 @70 Hz	31.47	70.07
640 × 480 @60 Hz	31.47	59.94
640 × 480 @75 Hz	37.50	75.00
800 × 600 @60 Hz	37.88	60.32
800 × 600 @75 Hz	46.88	75.00
800 × 600 @85 Hz	53.67	85.06
852 × 480 @60 Hz	31.44	59.89
1,024 × 768 @60 Hz	48.36	60.00
1,024 × 768 @70 Hz	56.48	70.07
1,024 × 768 @75 Hz	60.02	75.03
1,024 × 768 @85 Hz	68.68	85.00
1,280 × 1,024 @60 Hz	63.98	60.02
1,366 × 768 @60 Hz	48.39	60.04
Macintosh13" (640 × 480)	35.00	66.67
Macintosh16" (832 × 624)	49.73	74.55
Macintosh21" (1,152 × 870)	68.68	75.06

#### Note

- Signals other than above may not be displayed properly.
- The above signals are reformatted for optimal viewing on your display.
- Applicable input signal for PC is basically compatible to VESA standard timing.
- PC signal is magnified or compressed for display, so that it may not be possible to show fine detail with sufficient clarity.

# 4 Specifications

**Power Source** AC 220 - 240 V, 50/60 Hz (A/M/MR)  
AC 110 - 240 V, 50/60 Hz (MS)

**Power Consumption**  
**Average use** 670 W  
**Standby condition** 0.4 W (Without monitor out recording)  
20 W (With monitor out recording)

**Plasma Display panel**  
**Aspect Ratio** 16:9  
**Visible screen size** 147 cm (diagonal)  
1,284 mm (W) × 723 mm (H)  
**Number of pixels** 2,073,600 (1,920 (W) × 1,080 (H))

**Sound**  
**Speaker** Woofer (φ 80mm) × 2pcs, Tweeter (23mm × 100mm) × 2pcs  
**Audio Output** 31 W (15.5 W + 15.5 W), 10% THD  
**Headphones** M3 (3.5 mm) stereo mini Jack × 1

**PC signals** VGA, SVGA, XGA, SXGA  
Horizontal scanning frequency 31 - 69 kHz  
Vertical scanning frequency 59 - 86 Hz

**Receiving Systems / Band name**  
(M/MR/MS only)

17 Systems		Function	17 Systems		Function
1	PAL B, G, H	Reception of broadcast transmissions and Playback from Video Cassette Tape Recorders	8	NTSC 4.43/5.5 MHz	Playback from Special VCR's or DVD
2	PAL I		9	NTSC 4.43/6.0 MHz	
3	PAL D, K		10	NTSC 4.43/6.5 MHz	
4	SECAM B, G		11	NTSC 3.58/5.5 MHz	
5	SECAM D, K		12	NTSC 3.58/6.0 MHz	
6	SECAM K1		13	NTSC 3.58/6.5 MHz	
7	NTSC M (NTSC 3.58/4.5 MHz)		14	SECAM I	
			15	PAL 60 Hz/5.5 MHz	Playback from Special Disc Players and Special VCR's or DVD
			16	PAL 60 Hz/6.0 MHz	
			17	PAL 60 Hz/6.5 MHz	

**Receiving Systems / Band name**  
(A only)

**PAL B/G** Reception of Off air broadcasts  
**DVB-T** 7 MHz VHF / UHF (Australia) free-to-air TV broadcast reception  
**PAL 60 Hz** Playback of NTSC tape from some PAL Video recorders (VCR)  
**M.NTSC** Playback from M.NTSC Video recorders (VCR)  
**NTSC** Playback from NTSC Video recorders (VCR)

**Receiving Channels**  
(Regular TV)  
(M/MR/MS only)

**VHF BAND** 2-12 (PAL/SECAM B, K1)  
0-12 (PAL B AUST.)  
1-9 (PAL B N.Z.)  
1-12 (PAL/SECAM D)  
1-12 (NTSC M Japan)  
2-13 (NTSC M USA)

**UHF BAND** 21-69 (PAL G, H, I/SECAM G, K, K1)  
28-69 (PAL B AUST.)  
13-57 (PAL D, K)  
13-62 (NTSC M Japan)  
14-69 (NTSC M USA)

**CATV**  
S1-S20 (OSCAR)  
1-125 (USA CATV)  
C13-C49 (JAPAN)  
S21-S41 (HYPER)  
Z1-Z37 (CHINA)  
5A, 9A (AUST.)  
VHF/UHF (M/MR/MS only) Standard Belling & Lee connector (A only)

**Aerial - Rear**  
**Operating Conditions**

**Temperature:** 0 °C - 40 °C  
**Humidity:** 20 % - 80 % RH (non-condensing)

**Connection Terminals**

**AV1 Input**

**AUDIO L - R**

**VIDEO**

**COMPONENT**

RCA PIN Type × 2 0.5 V[rms]  
RCA PIN Type × 1 1.0 V[p-p] (75 Ω)  
Y 1.0 V[p-p] (including synchronization)  
P<sub>B</sub>/C<sub>B</sub>, P<sub>R</sub>/C<sub>R</sub> ±0.35 V[p-p]

**AV2 Input**

**AUDIO L - R**

**VIDEO**

**COMPONENT**

RCA PIN Type × 2 0.5 V[rms]  
RCA PIN Type × 1 1.0 V[p-p] (75 Ω)  
Y 1.0 V[p-p] (including synchronization)  
P<sub>B</sub>/C<sub>B</sub>, P<sub>R</sub>/C<sub>R</sub> ±0.35 V[p-p]

**AV3 Input**

**AUDIO L - R**

**VIDEO**

**S VIDEO**

RCA PIN Type × 2 0.5 V[rms]  
RCA PIN Type × 1 1.0 V[p-p] (75 Ω)  
Mini DIN 4-pin Y:1.0 V[p-p] (75 Ω) C:0.286 V[p-p] (75 Ω)

<b>AV4 Input</b>		
<b>AUDIO L - R</b>	RCA PIN Type × 2	0.5 V[rms]
<b>VIDEO</b>	RCA PIN Type × 1	1.0 V[p-p] (75 Ω)
<b>S VIDEO</b>	Mini DIN 4-pin	Y:1.0 V[p-p] (75 Ω) C:0.286 V[p-p] (75 Ω)
<b>Monitor Output</b>		
<b>AUDIO L - R</b>	RCA PIN Type × 2	0.5 V [rms] (high impedance)
<b>VIDEO</b>	RCA PIN Type × 1	1.0 V[p-p] (75 Ω)
<b>Others</b>		
<b>HDMI 1-4 Input</b>	TYPE A Connectors	This TV supports "HDAVI Control 3" function.
<b>PC Input</b>	HIGH-DENSITY D-SUB 15PIN	R, G, B/ 0.7 V [p-p] (75 Ω) HD, VD/TTL Level 2.0 - 5.0 V [p-p] (high impedance)
<b>DIGITAL AUDIO OUT</b>	PCM / Dolby Digital, Fiber optic	
<b>Card slot</b>	SD Card slot × 1	
<b>Dimensions (W × H × D)</b>	1,445 mm × 949 mm × 409 mm (With Pedestal) 1,445 mm × 898 mm × 109 mm (TV only)	
<b>Mass</b>	63.5 kg Net (With Pedestal) 59.0 kg Net (TV only)	

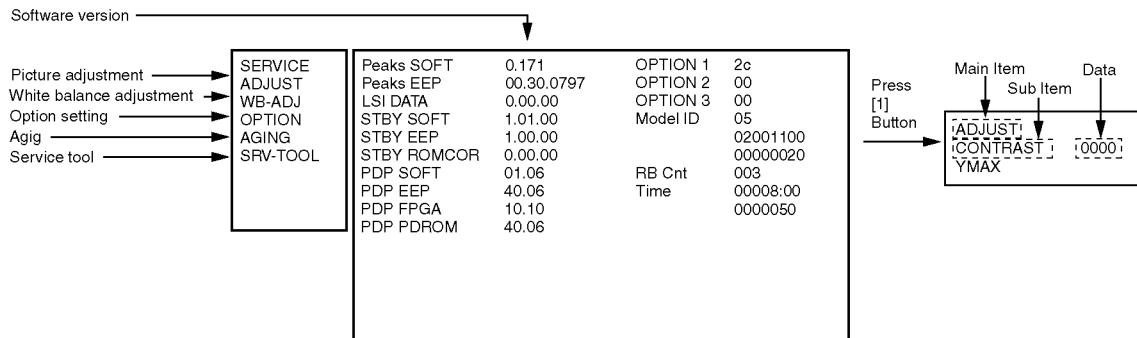
- Note**
- Design and Specifications are subject to change without notice. Mass and Dimensions shown are approximate.
  - Pedestal : ST-58R4-WG (For safety approval)



# 5 Service Mode

## 5.1. How to enter into Service Mode

While pressing [VOLUME (-)] button of the main unit, press [0] button of the remote control three times within 2 seconds.



### 5.1.1. Key command

- [1] button...Main items Selection in forward direction
- [2] button...Main items Selection in reverse direction
- [3] button...Sub items Selection in forward direction
- [4] button...Sub items Selection in reverse direction
- [RED] button...All Sub items Selection in forward direction
- [GREEN] button...All Sub items Selection in reverse direction
- [VOL] button...Value of sub items change in forward direction ( + ), in reverse direction ( - )

### 5.1.2. Contents of adjustment mode

- Value is shown as a hexadecimal number.
- Preset value differs depending on models.
- After entering the adjustment mode, take note of the value in each item before starting adjustment.

Main item	Sub item	Sample data	Remark
ADJUST	CONTRAST	000	
	COLOR	2B	
	TINT	00	
	Video-Gain2	0	
	SUB-BRT	800	
	H-POS	0	
	H-AMP	0	
	V-POS	0	
	V-AMP	0	
WB-ADJ	R-CUT	80	
	G-CUT	80	
	B-CUT	80	
	R-DRV	CC	
	G-DRV	FC	
	B-DRV	BC	
	ALL-CUT	80	
	ALL-DRV	FC	
OPTION	Panel-Type	58FHD	Factory Preset
	Boot	ROM	
	STBY-SET	00	
	EMERGENCY	ON	
	Y/C Delay		
	OPT 1	000101100	
	OPT 2	00000000	
OPT 3	00000000		
AGING	RGBW		
	All white (COUNTER)		
	All white		
	All red		
	All green		
	All blue		
	ON/OFF		
	Diagonal lamp W		
	Diagonal lamp R		
	Diagonal lamp G		
	Diagonal lamp B		
	1% WINDOW		
	COLOR BAR		
	A B zone/checkerd 4 trio		
	SCROLL BAR		
2dot width border			
SRV-TOOL			see next

Destinations	M/MR	MS	A
OPTION1	98	98	98
OPTION2	e2	e2	22
OPTION3	61	e5	00

### 5.1.3. How to exit

Switch off the power with the [POWER] button on the main unit or the [POWER] button on the remote control.

## 5.2. Service tool mode

### 5.2.1. How to access

1. Select [SRV-TOOL] in Service Mode.
2. Press [OK] button on the remote control.

	SRV-TOOL		
Display of TD2Microcode version →	TD2Microcode:81c0000e		
Display of Flash ROM maker code →	Flash ROM : 1 - 227E		
Display of SOS History →	PTCT : 00 . 00 . 00 . 00 . 00	Time 00000:40	Count 0000022 ← POWER ON TIME/COUNT Press [MUTE] button (3sec)

### 5.2.2. Display of SOS History

SOS History (Number of LED blinking) indication.

From left side; Last SOS, before Last, three occurrence before, 2nd occurrence after shipment, 1st occurrence after shipment. This indication except 2nd and 1st occurrence after shipment will be cleared by [Self-check indication and forced to factory shipment setting].

### 5.2.3. POWER ON TIME/COUNT

To display TIME/COUNT menu, highlight position, then press MUTE for 3sec.

Time : Cumulative power on time, indicated hour : minute by decimal

Count : Number of ON times by decimal

Note : This indication will not be cleared by either of the self-check or any command.

### 5.2.4. Exit

1. Disconnect the AC cord from wall outlet or switch off the power with the [POWER] button on the main unit.

## 5.3. Hotel mode

### 1. Purpose

Restrict a function for hotels.

Access command to the Hotel mode setup menu

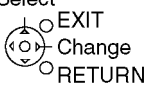
In order to display the Hotel mode setup menu, please enter the following command (**within 2 second**).

[TV] : Vol. [Down] + [REMOTE] : AV (3 times)

Then, the Hotel mode setup menu is displayed.

Hotel Mode	
Hotel Mode	Off
Initial INPUT	Off
Initial POS	Off
Initial VOL Level	Off
Maximum Vol Level	63
Button Lock	Off
Remote Lock	Off

Select



### 2. To exit the Hotel mode setup menu

Disconnect AC power cord from wall outlet or switch off the power with the [POWER] button on the main unit.

### 3. Explain the Hotel mode setup menu

item	Function
Hotel Mode	Select hotel mode ON/OFF
Initial INPUT	Select input signal modes. Set the input, when each time power is switched on. Selection : Off/Analogue/DVB/AV1/AV2/AV2S/AV3/AV3S/COMPONENT/PC/HDMI1/HDMI2/HDMI3/HDMI4 • Off: give priority to a last memory. However, Euro model is compulsorily set to TV. • AVnS/AVnC: only Euro model selectable • PC: selectable with VGA option
Initial POS	Select programme number. Selection : Off/0 to 99 • Off: give priority to a last memory
Initial VOL level	Adjust the volume when each time power is switched on. Selection/Range : Off/0 to 63 • Off: give priority to a last memory
Maximum VOL level	Adjust maximum volume. Range : 0 to 63
Button lock	Select local key conditions. Selection : Off/SETUP/MENU/All • Off: altogether valid • SETUP: only F-key is invalid (Tuning guide(menu) can not be selected.) • MENU: only F-key is invalid (only Volume/Mute can be selected.) • ALL: altogether invalid.
Remote lock	Select remote control key conditions. Selection : Off/SETUP/MENU • Off: altogether valid • SETUP: only Setup menu is invalid • MENU: Picture/Sound/Setup menu are invalid

# 6 Troubleshooting Guide

Use the self-check function to test the unit.

1. Checking the IIC bus lines
2. Power LED Blinking timing

## 6.1. Check of the IIC bus lines

### 6.1.1. How to access

Self-check indication only:

Produce TV reception screen, and while pressing [VOLUME (-)] button on the main unit, press [OK] button on the remote control for more than 3 seconds.

Self-check indication and forced to factory shipment setting:

Produce TV reception screen, and while pressing [VOLUME (-)] button on the main unit, press [MENU] button on the remote control for more than 3 seconds.

### 6.1.2. Screen display

58FHD SET	Panasonic 2008PDP  SELF CHECK COMPLETE
--------------	--

ADV OK ADAV OK TUN OK GENX OK MEN1 OK MEN2 OK VSW OK ASW OK GC3FS OK PDP-PANEL OK ※ OFDM OK TEMP OK FRC OK GC6 OK MIHO OK ※ VIF OK CIMAX OK USB OK	PEAKS-SOFT 0.171 PEAKS-EEP 00.30.0797 GENX-SOFT 1.01.00 GENX-EEP 1.00.00 GENX-ROMCOR 0.00.00 PDP-MCU 01.06 PDP-EEP 40.06 PDP-FPGA 10.10 PDP-PD2-M 40.06 SD FLASH 5.65	SUM 1140 OPTION 1 2c OPTION 2 00 OPTION 3 00 Check 2c Model ID 05 02012100 00000020 EDID1 fc.2b EDID2 fc.1b
---	--	--

※ A ONLY

### 6.1.3. Check Point

Confirm the following parts if NG was displayed.

Display	Ref. No.	Description	P.C.B.
ADV	IC4510	AD/HDMI	A-Board
ADAV	IC2106	Sound Processor	A-Board
TUN	TU8301	Tuner	A-Board
GENX	IC1100	GenX (STB MCU)	A-Board
MEM1	IC1101	EEPROM (GenX)	A-Board
MEM2	IC8601	EEPROM (Peaks)	A-Board
VSW	IC3007	Video Switch	A-Board
ASW	IC3009	Audio Switch	A-Board
GC3FS	IC4001	Global core 3 sub	A-Board
PDP-PANEL	IC9003	MICOM	D-Board
OFDM	IC8301	Digital demodulator	A-Board
TEMP	IC4800	Temp Sensor	A-Board
FRC	IC2604	Frame rate coverter	A-Board
GC6	IC5100	Global core 6	A-Board
MIHO	IC4200	MIHO	A-Board
VIF	TU8301	Tuner	A-Board
CIMAX	IC8402	CIMAX	A-Board
USB	IC8620	USB	A-Board

### 6.1.4. Exit

Disconnect the AC cord from wall outlet or switch off the power with the [POWER] button on the main unit.

## 6.2. Power LED Blinking timing chart

### 1. Subject

Information of LED Flashing timing chart.

### 2. Contents

When an abnormality has occurred the unit, the protection circuit operates and reset to the stand by mode. At this time, the defective block can be identified by the number of blinks of the Power LED on the front panel of the unit.

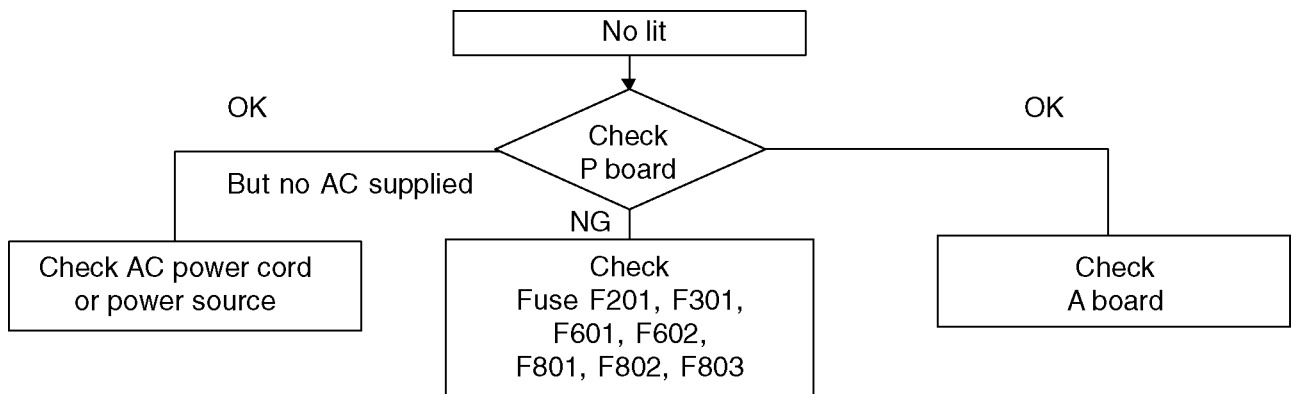
Blinking Times	Blinking timing	Contents	Check point
1		No particular check point	-
		Panel Status	-
		STB 5V SENSE Time out	A-Board
2		15V SOS	D-Board
3		3.3V SOS	A-Board
4		Power SOS	P-Board
5		5V SOS	D-Board
6		Driver SOS1 (SC Energy recovery circuit)	SU-Board SD-Board SC-Board
7		Driver SOS2 (SC floating voltage area)	SU-Board SD-Board SC-Board
8		Driver SOS3 (SS Energy recovery circuit)	SS-Board SS2-Board SS3- Board
9		Communication Error between Panel-MPU and STB-MPU	A-Board D-Board
10		Sub 5V SOS Main 3.3V SOS DTV 9V SOS Tuner Power SOS	A-Board
11		Fan SOS	PA-Board
12		Sound SOS	A-Board
13		Communication Error with IC8001 (Pesks PRO)	A-Board

### 6.3. No Power

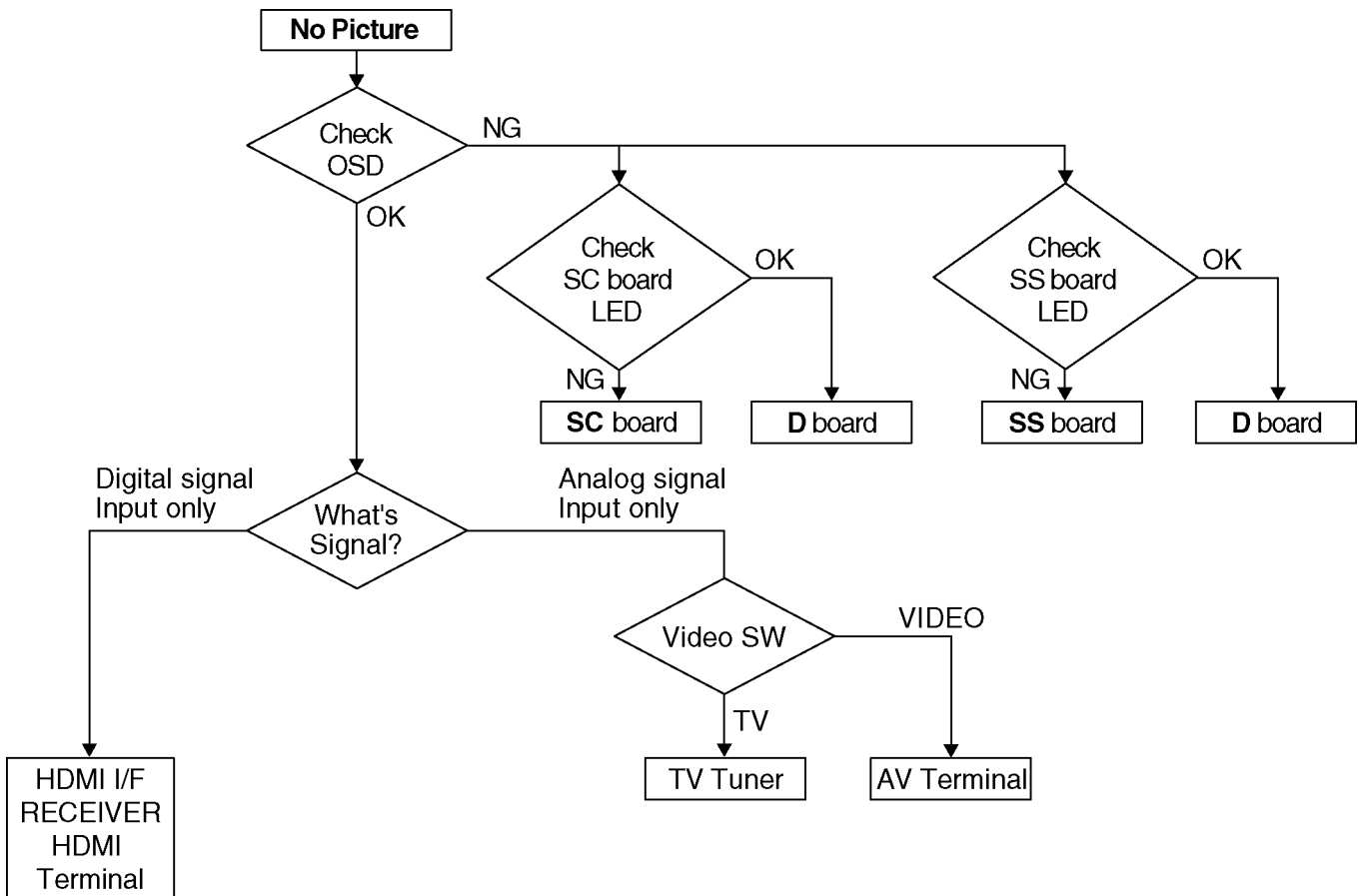
#### First check point

There are following 2 states of No Power indication by power LED.

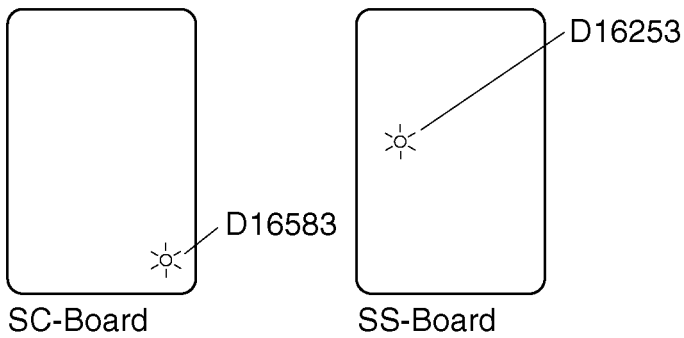
1. No lit
2. Red is lit then turns red blinking a few seconds later. (See 6.2.)



## 6.4. No Picture



### Drive circuits LED indicator





## 6.5. Local screen failure

Plasma display may have local area failure on the screen. Fig-1 is the possible defect P.C.B. for each local area.

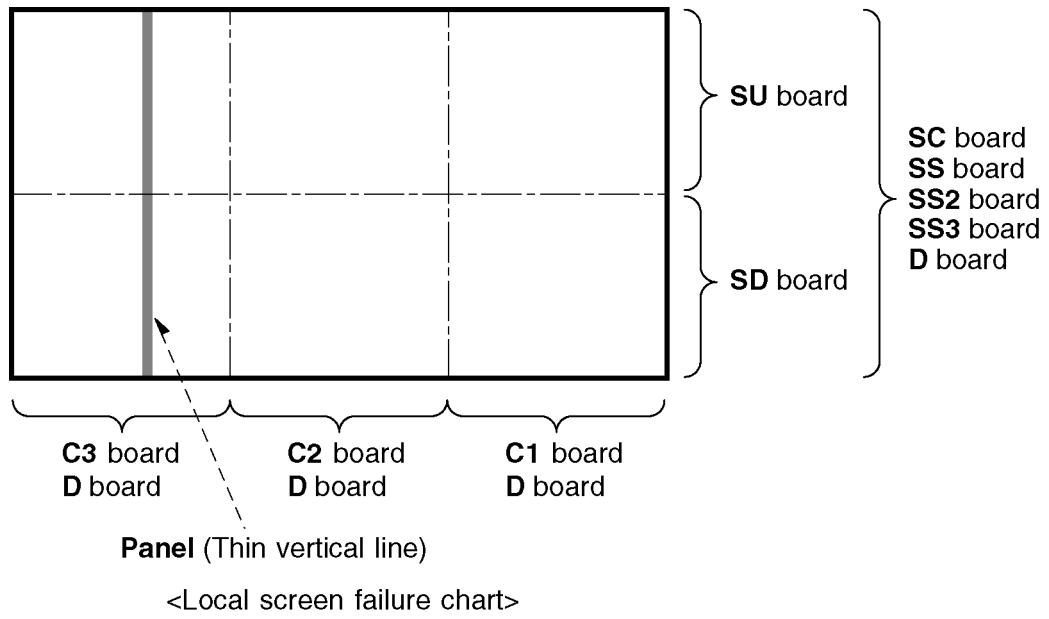


Fig-1

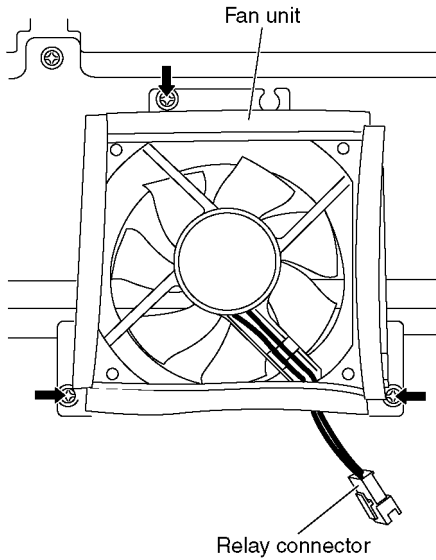
# 7 Disassembly and Assembly Instructions

## 7.1. Remove the Rear cover

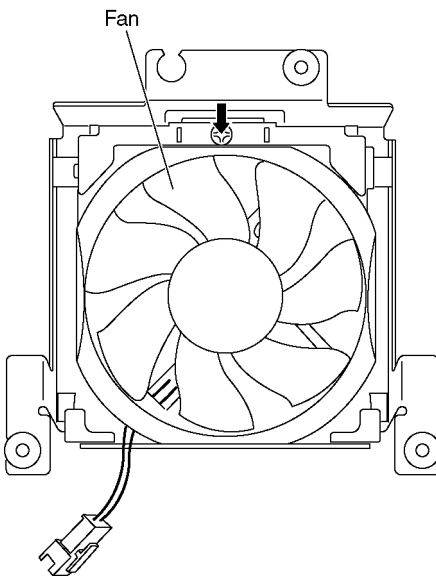
1. See Service Hint. (Section 3)

## 7.2. Remove the Fan unit

1. Unlock the cable clampers to free the cable.
2. Remove the screws ( $\times 3 \rightarrow$ ).
3. Remove the relay connectors and remove the Fan unit.

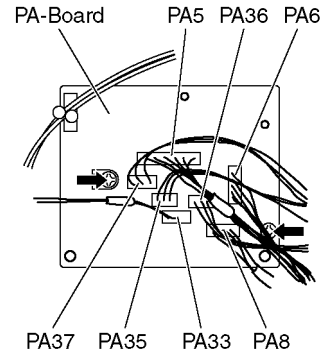


4. Remove the screw ( $\times 1 \rightarrow$ ) on the back side.
5. Remove the Fan.



## 7.3. Remove the PA-Board

1. Disconnect the connectors (PA5, PA6, PA8, PA33, PA35, PA36 and PA37).
2. Remove the screws ( $\times 2 \rightarrow$ ).
3. Remove the PA-Board.

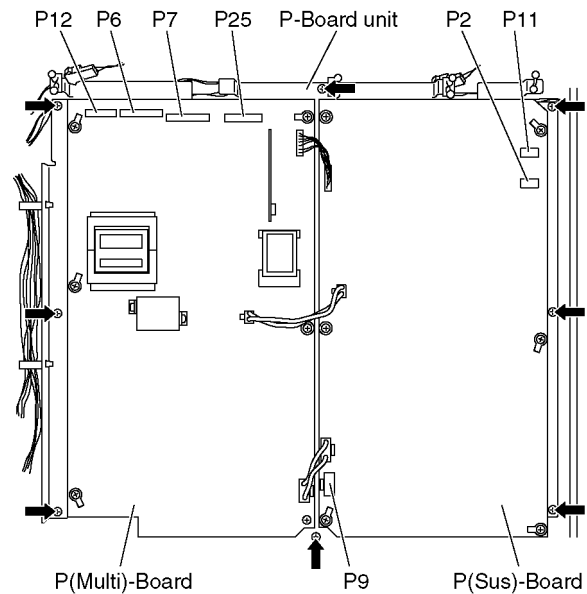


## 7.4. Remove the P-Board

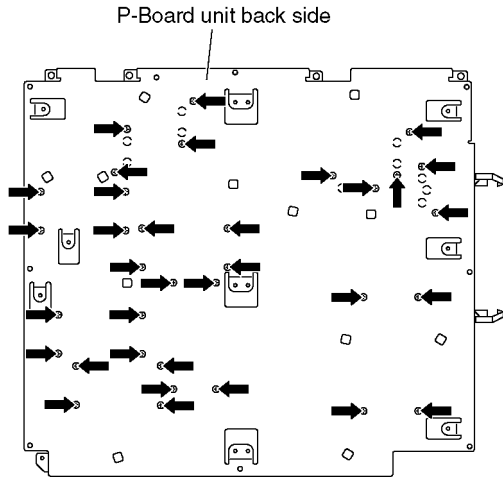
### Caution:

To remove P.C.B. wait 1 minute after power was off for discharge from electrolysis capacitors.

1. Unlock the cable clampers to free the cable.
2. Disconnect the connectors (P2, P6, P7, P9, P11, P12 and P25).
3. Remove the screws ( $\times 8 \rightarrow$ ) and remove the P-Board unit.

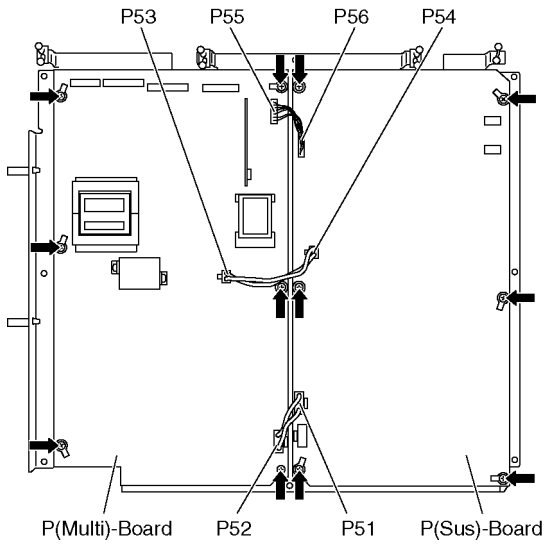


4. Remove the screws (×34 ➡) on the back side.



5. Disconnect the connectors (P51-P52, P53-P54 and P55-P56).

6. Remove the screws (×12 ➡).

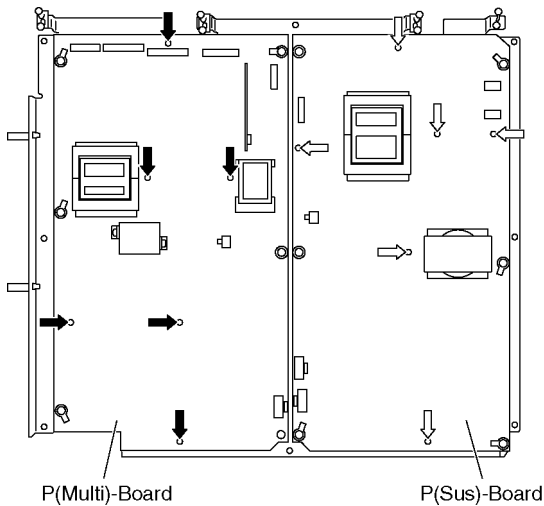


7. Remove the molding props (×6 ➡).

8. Remove the P(Multi)-Board.

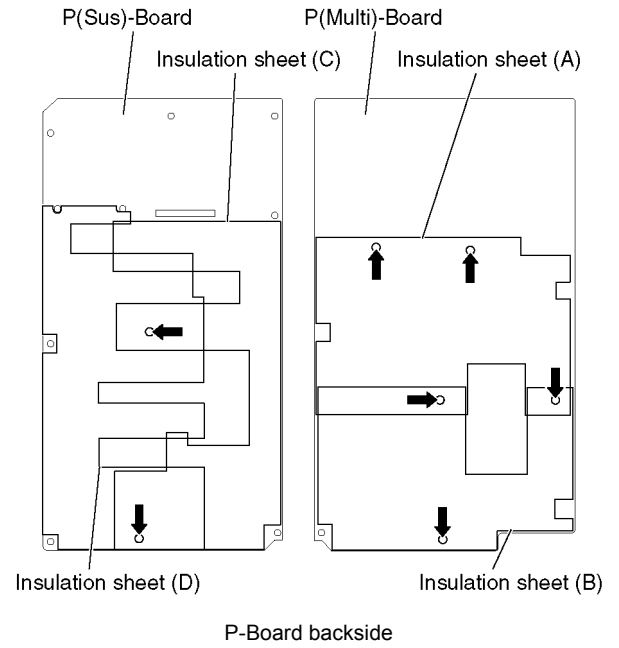
9. Remove the molding props (×6 ⇨).

10. Remove the P(Sus)-Board.



**Note:**

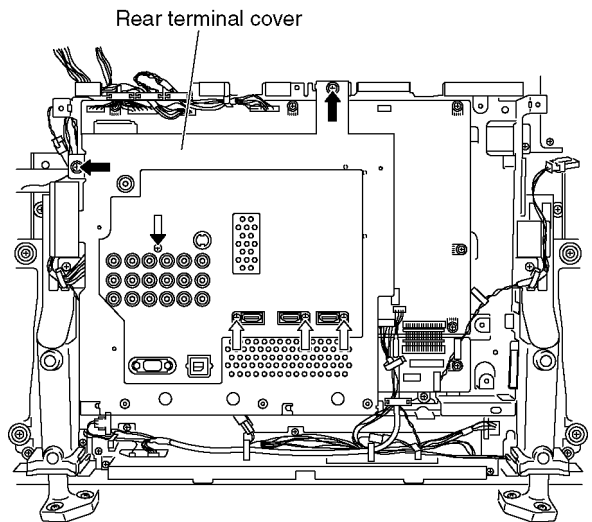
When assembling the P(Multi)-Board and the P(Sus)-Board, the position of each hole of the insulation sheets(A, B, C, D) is set to the position of each hole of the P(Multi)-Board and the P(Sus)-Board and then assemble them. (➡marks indicate setting positions.)



**7.5. Remove the Rear Terminal cover**

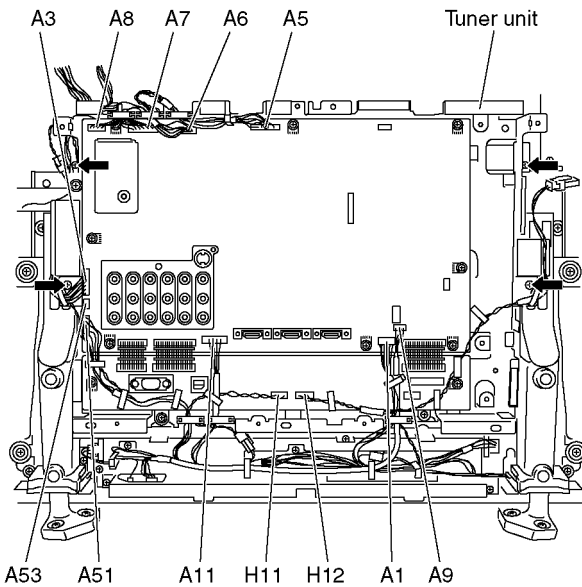
1. Remove the screws (×2 ➡, ×3 ⇨, ×1 ⇩).

2. Remove the Rear Terminal cover.



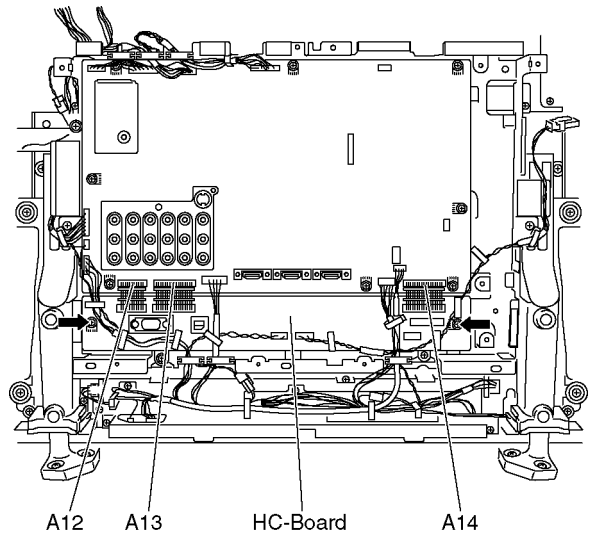
## 7.6. Remove the tuner unit

1. Unlock the cable clampers to free the cable.
2. Disconnect the connectors (A1, A3, A5, A6, A7, A8, A9, A11, A51, A53, H11 and H12).
3. Remove the screws (×4 ➡) and remove the tuner unit.



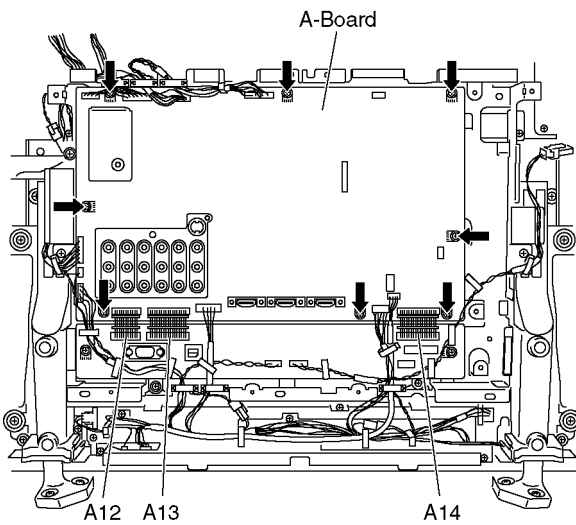
## 7.8. Remove the HC-Board

1. Remove the tuner unit. (See section 7.7.)
2. Disconnect the bridge connectors (A12, A13 and A14).
3. Remove the screws (×2 ➡) and remove the HC-Board.



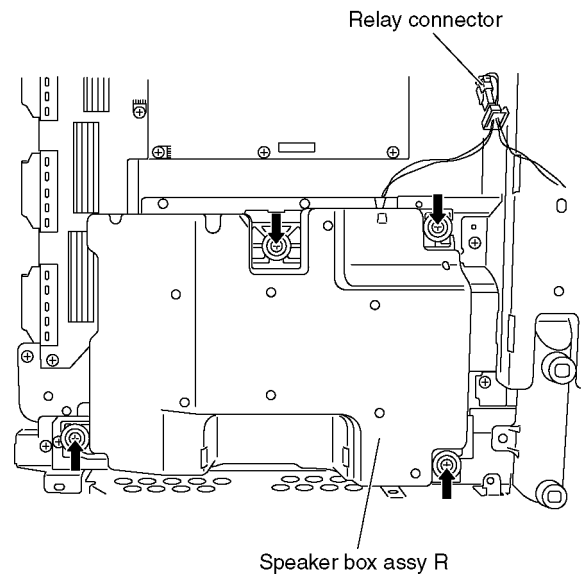
## 7.7. Remove the A-Board

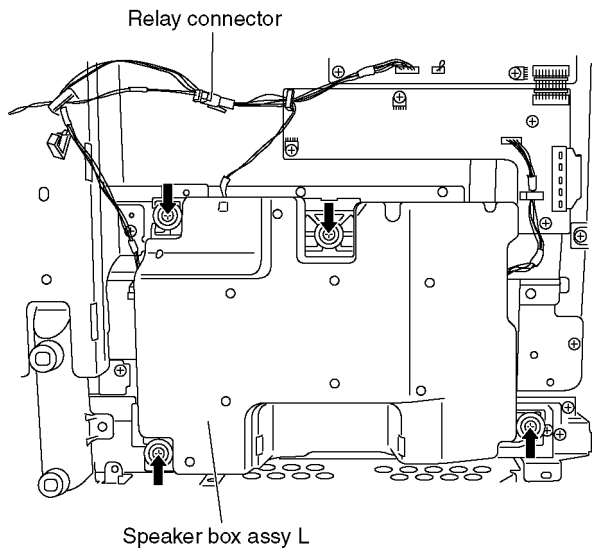
1. Remove the tuner unit. (See section 7.7.)
2. Remove the bridge connector (A12, A13 and A14).
3. Remove the screws (×8 ➡) and remove the A-Board.



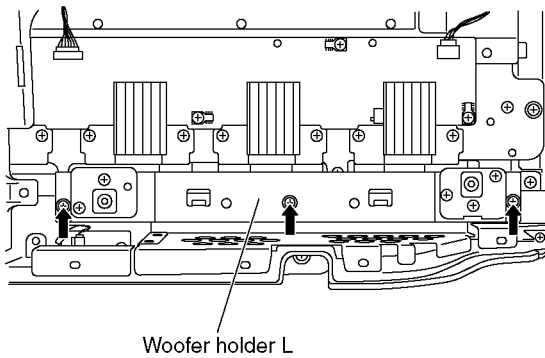
## 7.9. Remove the Speaker box (Woofer/L, Woofer/R)

1. Unlock the cable clampers to free the cable.
2. Disconnect the relay connectors.
3. Remove the screws (×4 ➡ each) and remove the Speaker box (Woofer/L, Woofer/R).

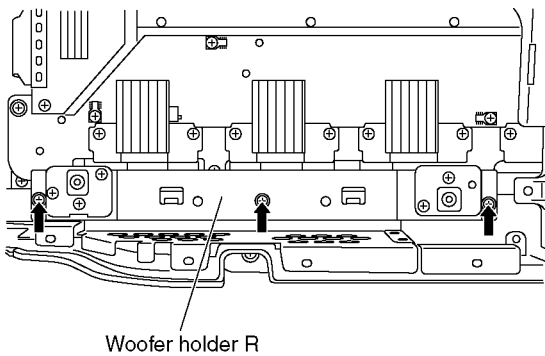




4. Remove the screws (×3 →) and remove the Woofer holder L.

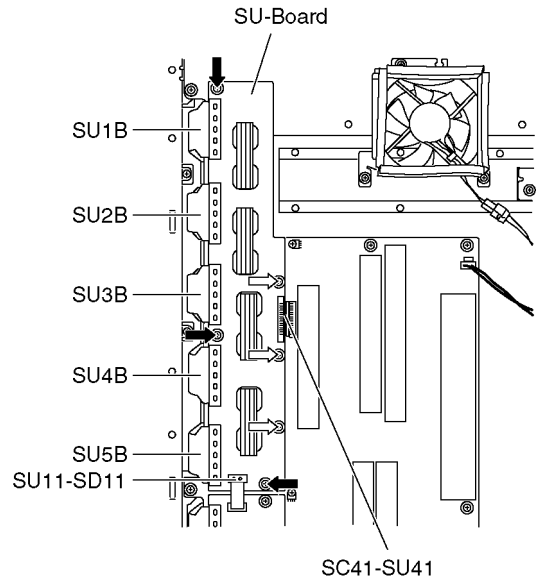


5. Remove the screws (×3 →) and remove the Woofer holder R.



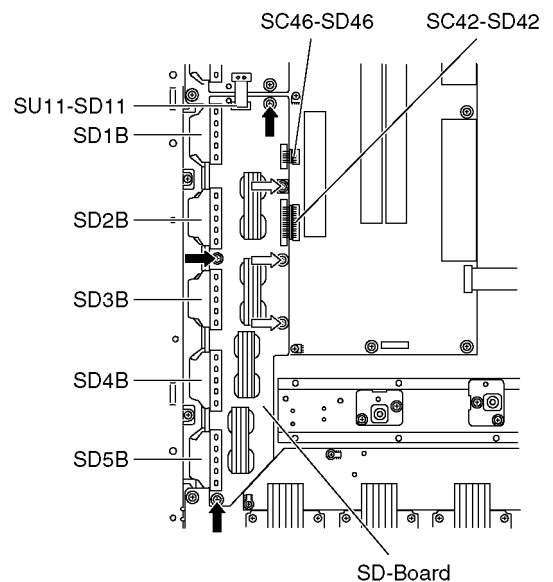
## 7.10. Remove the SU-Board

1. Disconnect the flexible cables (SU1B, SU2B, SU3B, SU4B and SU5B) connected to the SU-Board.
2. Remove the flexible cable (SU11-SD11) and the bridge connector (SC41-SU41).
3. Remove the screws (×3 →, ×3 ⇨) and remove the SU-Board.



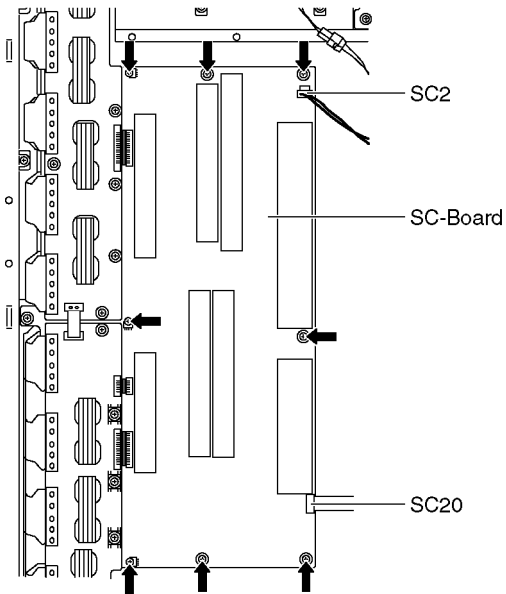
## 7.11. Remove the SD-Board

1. Disconnect the flexible cables (SD1B, SD2B, SD3B, SD4B and SD5B) connected to the SD-Board.
2. Disconnect the flexible cable (SU11-SD11) and the bridge connectors (SC42-SD42 and SC46-SD46).
3. Remove the screws (×3 →, ×3 ⇨) and remove the SD-Board.



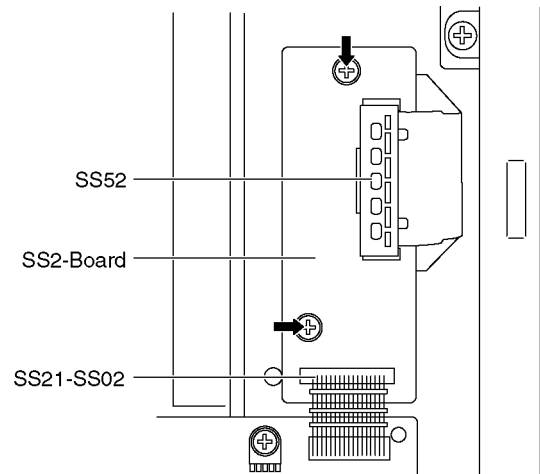
## 7.12. Remove the SC-Board

1. Remove the SU-Board and SD-Board. (See section 7.10. and 7.11.)
2. Disconnect the connector (SC2).
3. Disconnect the flexible cable (SC20).
4. Remove the screws (×8 ➡) and remove the SC-Board.



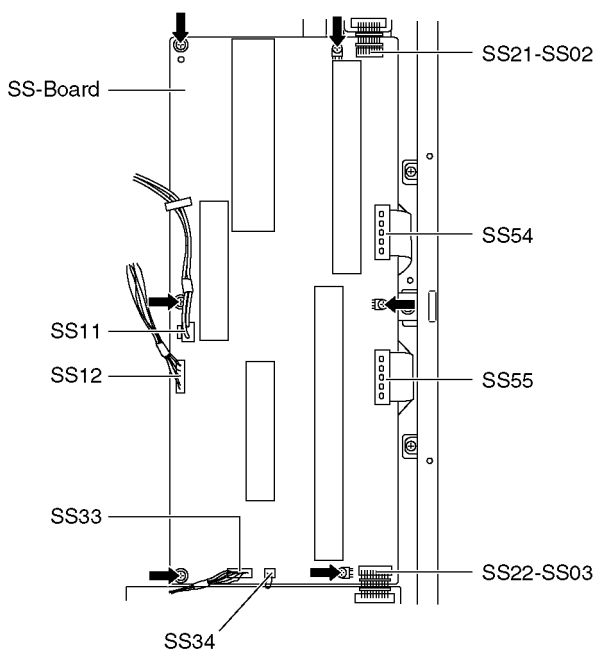
## 7.14. Remove the SS2-Board

1. Disconnect the bridge connector (SS21-SS02) and disconnect the flexible cable (SS52).
2. Remove the screws (×2 ➡) and remove the SS2-Board.



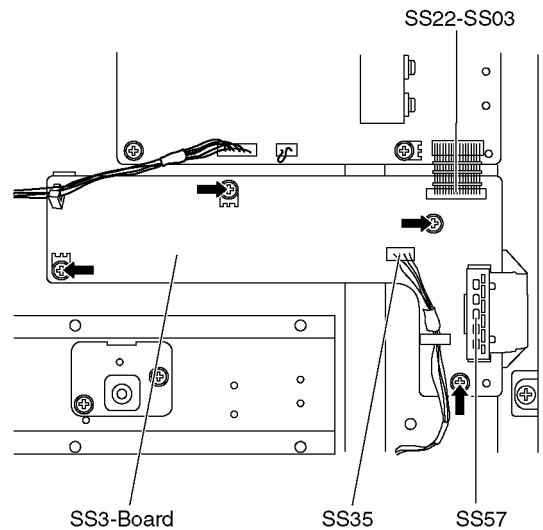
## 7.13. Remove the SS-Board

1. Unlock the cable clampers to free the cable.
2. Disconnect the connectors (SS11, SS12, SS33 and SS34) and the bridge connectors (SS21-SS02 and SS22-SS03).
3. Disconnect the flexible cables (SS54 and SS56).
4. Remove the screws (×6 ➡) and remove the SS-Board.



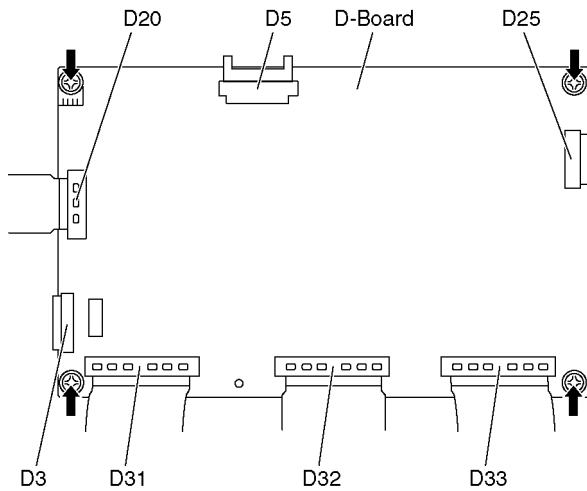
## 7.15. Remove the SS3-Board

1. Unlock the cable clampers to free the cable.
2. Disconnect the connectors (SS35).
3. Disconnect the flexible cable (SS57) and disconnect the bridge cable (SS22 - SS03).
4. Remove the screws (×4 ➡) and remove the SS3-Board.



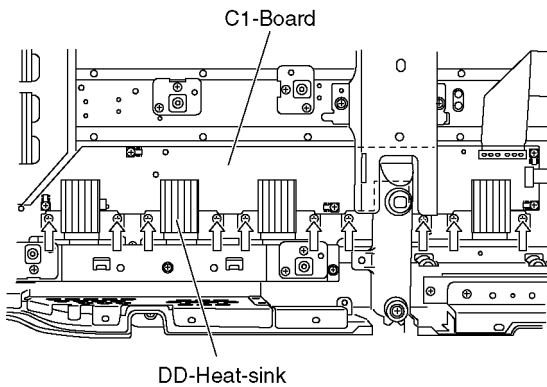
## 7.16. Remove the D-Board

1. Remove the tuner unit. (See section 7.6.)
2. Disconnect the connectors (D3, D5 and D25).
3. Disconnect the flexible cables (D20, D31, D32 and D33).
4. Remove the screws (×4 ➡) and remove the D-Board.

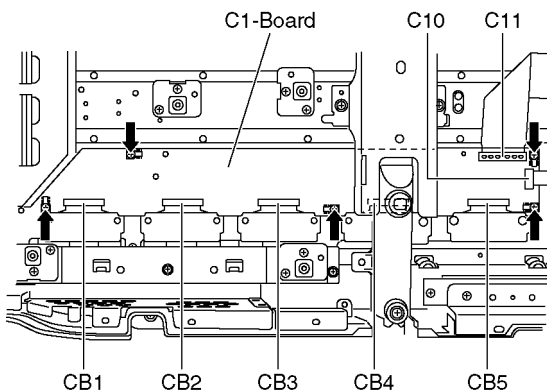


## 7.17. Remove the C1-Board

1. Remove the tuner unit. (See section 7.6.)
2. Remove the Speaker box (Woofer/R). (See section 7.9.)
3. Remove the DD-Heat-sink fastening screws (×10 ⇐).
4. Remove the DD-Heat-sink (×5).

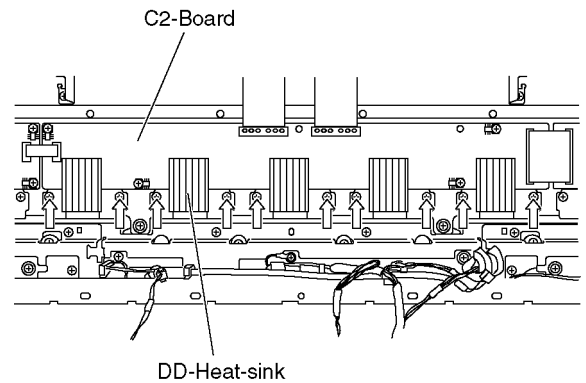


5. Disconnect the flexible cables (CB1, CB2, CB3, CB4 and CB5).
6. Disconnect the flexible cables (C10 and C11).
7. Remove the screws (×5 ➡) and remove the C1-Board.

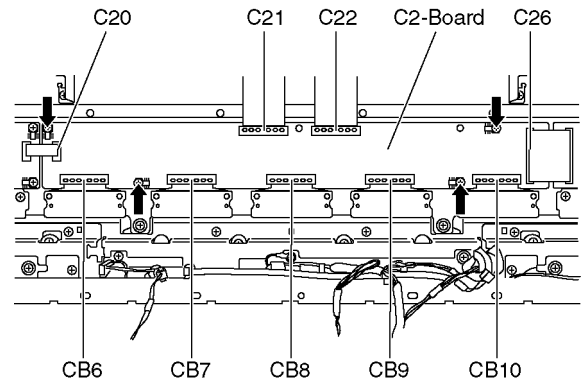


## 7.18. Remove the C2-Board

1. Remove the tuner unit. (See section 7.6.)
2. Remove the Speaker box (Woofer/L). (See section 7.9.)
3. Remove the DD-Heat-sink fastening screws (×10 ⇐).
4. Remove the DD-Heat-sink (×5).

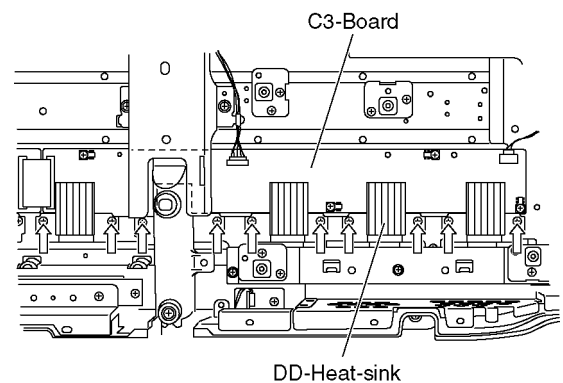


5. Disconnect the flexible cables (CB6, CB7, CB8, CB9 and CB10).
6. Disconnect the flexible cables (C20, C21, C22 and C26).
7. Remove the screws (×4 ➡) and remove the C2-Board.



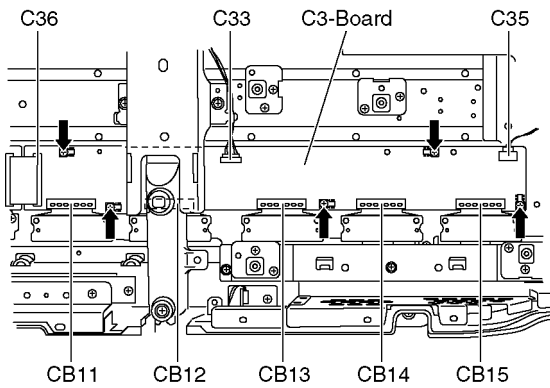
## 7.19. Remove the C3-Board

1. Remove the Speaker box (Woofer/L). (See section 7.9.)
2. Remove the DD-Heat-sink fastening screws (×10 ⇐).
3. Remove the DD-Heat-sink (×5).



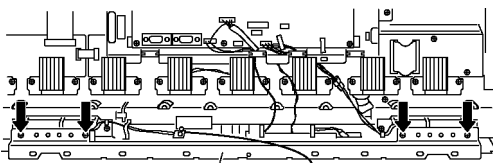
4. Disconnect the flexible cables (CB11, CB12, CB13, CB14 and CB15).
5. Disconnect the flexible cable (C36).
6. Disconnect the connectors (C33 and C35).

7. Remove the screws (×5 ➡) and remove the C3-Board.



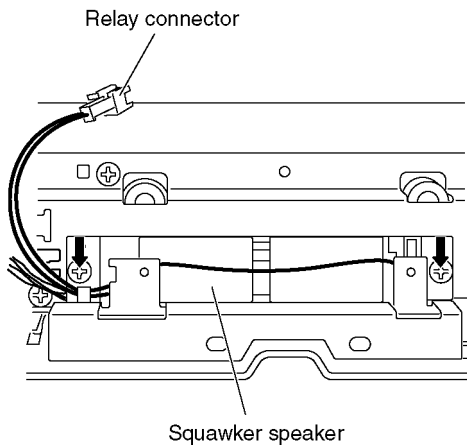
## 7.20. Remove the Speaker (Squawker)

1. Remove the screws (×4 ➡) and remove the Bottom support metal.



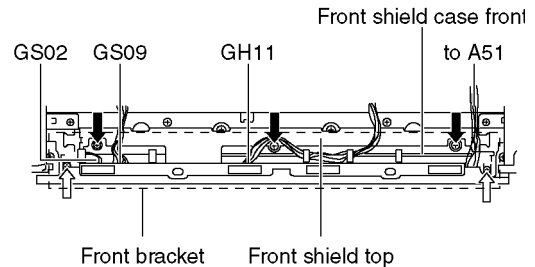
Bottom support metal

2. Disconnect the relay connectors.  
3. Remove the screws (×2 ➡ each).  
4. Remove the Speaker (Squawker/L, Squawker/R).



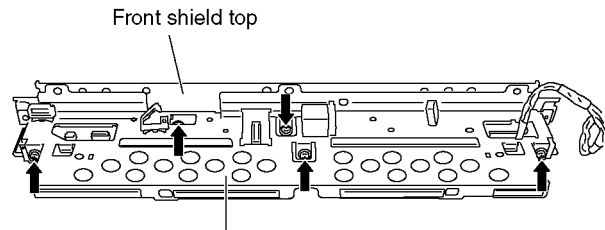
## 7.21. Remove the Front bracket

1. Remove the Bottom support metal. (See section 7.20.)  
2. Unlock the cable clampers to free the cable.  
3. Disconnect the connectors (GS02, GS09 and GH11).  
4. Disconnect the connector (A51). (See section 7.6.)  
5. Remove the screws (×3 ➡, ×2 ⇨) and remove the Front bracket.



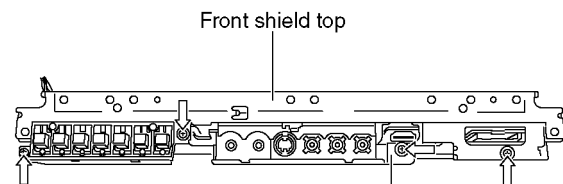
## 7.22. Remove the G-Board, GS-Board and GH-Board

1. Remove the Front bracket. (See section 7.21.)  
2. Remove the screws (×5 ➡).



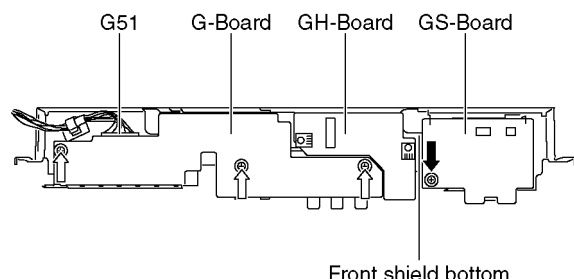
Front shield case front

3. Remove the screws (×4 ⇨).  
4. Remove the Front shield case front and the Front shield top.



Front shield bottom

5. Remove the GH-Board.  
6. Remove the screw (×1 ➡) and remove the GS-Board.  
7. Remove the screws (×3 ⇨).  
8. Disconnect the connector (G51) and remove the G-Board.

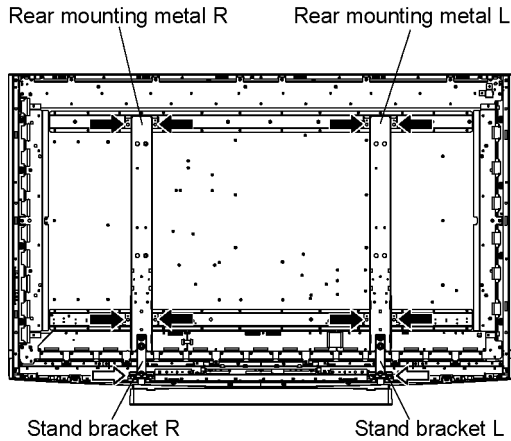


Front shield bottom

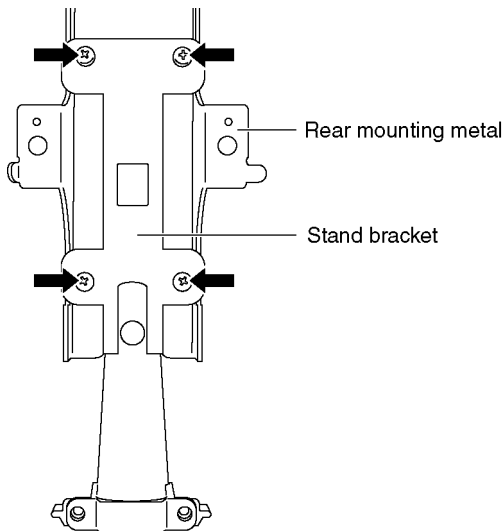


## 7.23. Remove the stand brackets and rear mounting metals

1. Remove the plasma panel section from the servicing stand and lay on a flat surface such as a table (covered) with the plasma panel surface facing downward.
2. Remove the stand brackets (left, right) fastening screw (×1 ⇔ each).
3. Remove the rear mounting metals (left, right) fastening screws (×4 ➡ each).
4. Remove the stand brackets and rear mounting metals.

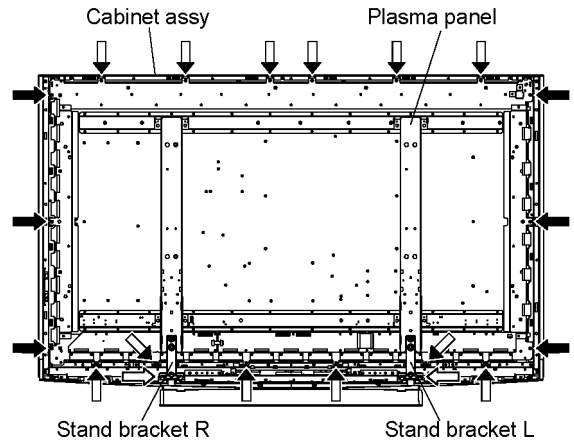


5. Remove the fastening screws (×4 ➡ each).
6. Remove the stand brackets from rear mounting metals.

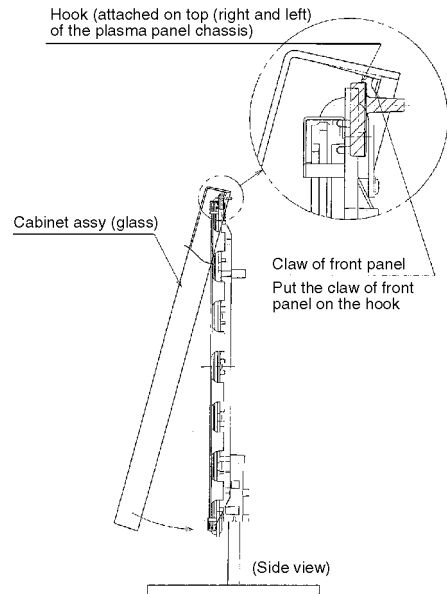


## 7.24. Remove the Plasma panel section from the Cabinet assy (glass)

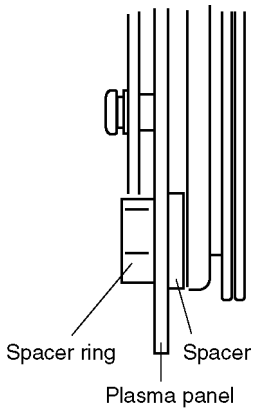
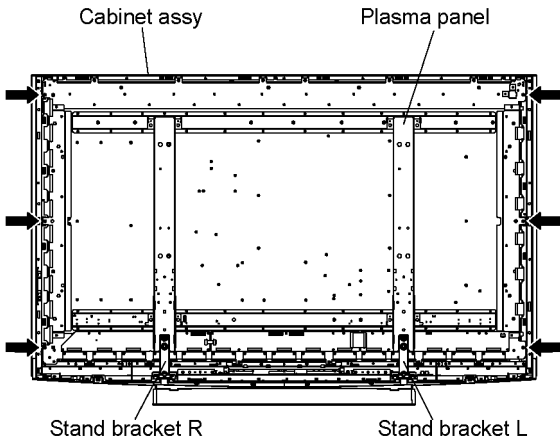
1. Remove the stand brackets (left, right) fastening screw (×1 ⇔ each).
2. Remove the cabinet assy and the plasma panel fastening screws (×6 ➡, ×12 ⇔).



3. For leaving the plasma panel from the front frame, pull the bottom of the cabinet assy forward, lift, and remove.



4. Remove the spacers and spacer rings (×6 ➡).

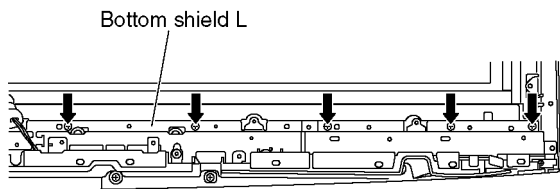


**Caution:**

- Please confirm the installation place of Spacer and Spacer Ring when you exchange the Plasma Panel, and install Spacer and Spacer Ring in an original installation place after exchanging the Plasma Panel.

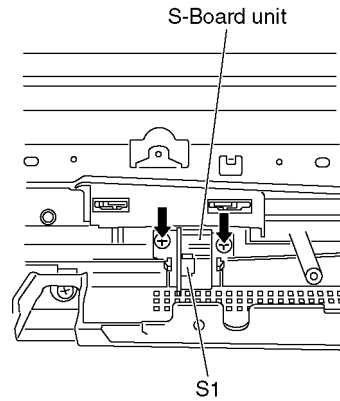
## 7.25. Remove the K-Board and S-Board

1. Remove the Cabinet assy. (See section 7.24.)
2. Remove the Speaker (Squawker /L). (See section 7.20.)
3. Remove the screws (×5 ➡) and remove the Bottom shield L.

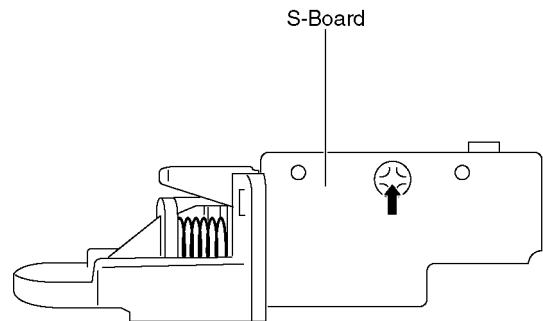


4. Disconnect the connector (S1).

5. Remove the screws (×2 ➡) and remove the S-Board unit.

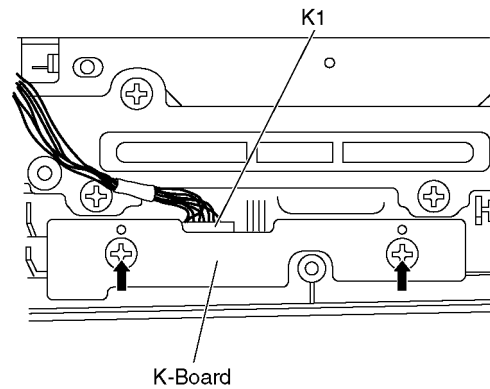


6. Remove the screw (×1 ➡) and remove the S-Board.



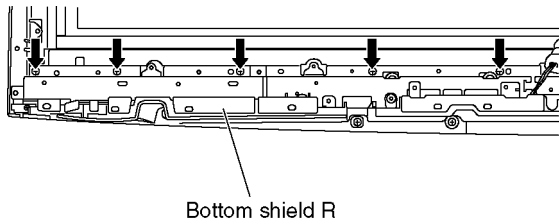
7. Remove the screws (×2 ➡).

8. Remove the K-Board and disconnect the connector (K1).

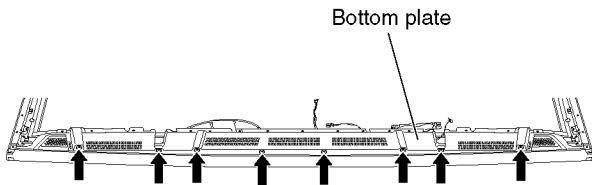


## 7.26. Remove the GL-Board

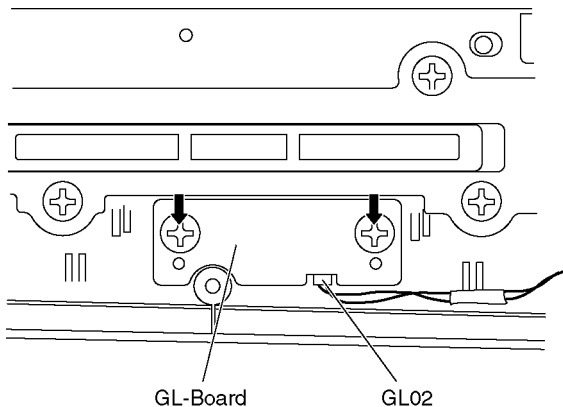
1. Remove the Cabinet assy. (See section 7.24.)
2. Remove the Speaker (Squawker /R). (See section 7.20.)
3. Remove the screws (×5 ➡) and remove the Bottom shield R.



4. Remove the screws (×8 ➡) and remove the Bottom plate.



5. Remove the screws (×2 ➡) and remove the GL-Board and disconnect the connector (GL02).



## 7.27. Replace the plasma panel (finished)

1. Place the new plasma panel (finished) on the flat surface of the table (covered by a soft cloth), with the plasma panel surface facing downward.
2. Attach the C1-Board, C2-Board and the C3-Board, connect the flexible cables (×15) from the plasma panel to the C1-Board, C2-Board and the C3-Board, and fit the flexible cable holders.
3. Attach the Hooks (left, right) and fit the stand brackets (L, R) to the new plasma panel.
4. Place the plasma panel section on the servicing stand.
5. Attach the cabinet assy and each P.C.Board and so on, to the new plasma panel.

**\*When fitting the cabinet assy, be careful not to allow any debris, dust or handling residue to remain between the front glass and plasma panel.**

# 8 Measurements and Adjustments

## 8.1. Adjustment Procedure

### 8.1.1. Driver Set-up

#### 8.1.1.1. Item / Preparation

1. Input a white signal to plasma video input.
2. Set the picture controls as follows.  
 Picture menu : Dynamic  
 PNR : OFF  
 Aspect : 16:9

#### Caution

1. First perform Vsus adjustment.
2. Confirmation of Vscn voltage should be performed after confirmation of Vad adjustment.  
 When Vad= -135V, Voltage of Vscn is 10V ±4V.

### 8.1.1.2. Adjustments

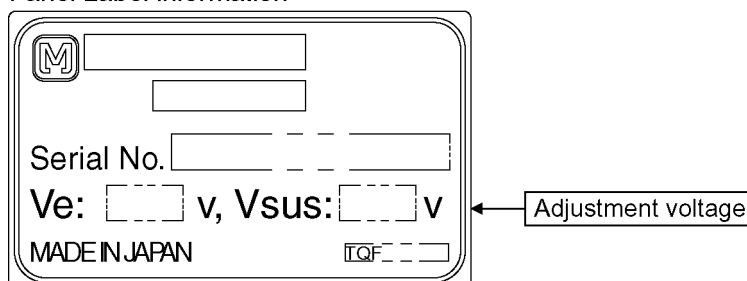
Adjust driver section voltages referring the panel data on the panel data label.

Check or adjust the following voltages with the multimeter.

Name	Test Point	Voltage	Volume	Remarks
Vsus	TPVSUS (SS)	Vsus ± 2V	VR251 (P)	*
Ve	TPVE (SS)	Ve ± 1V	VR16000 (SS)	*
Vset	TPVSET (SC)	325V ± 10V	Fixed	
Vad	TPVAD (SC)	-135V ± 1V	VR16600 (SC)	
Vscn	TPVSCN (SC)	Vad+145V ± 4V	Fixed	
Vda	TPVDA (SS)	75V + 1V, -2V	Fixed	

\*See the Panel label.

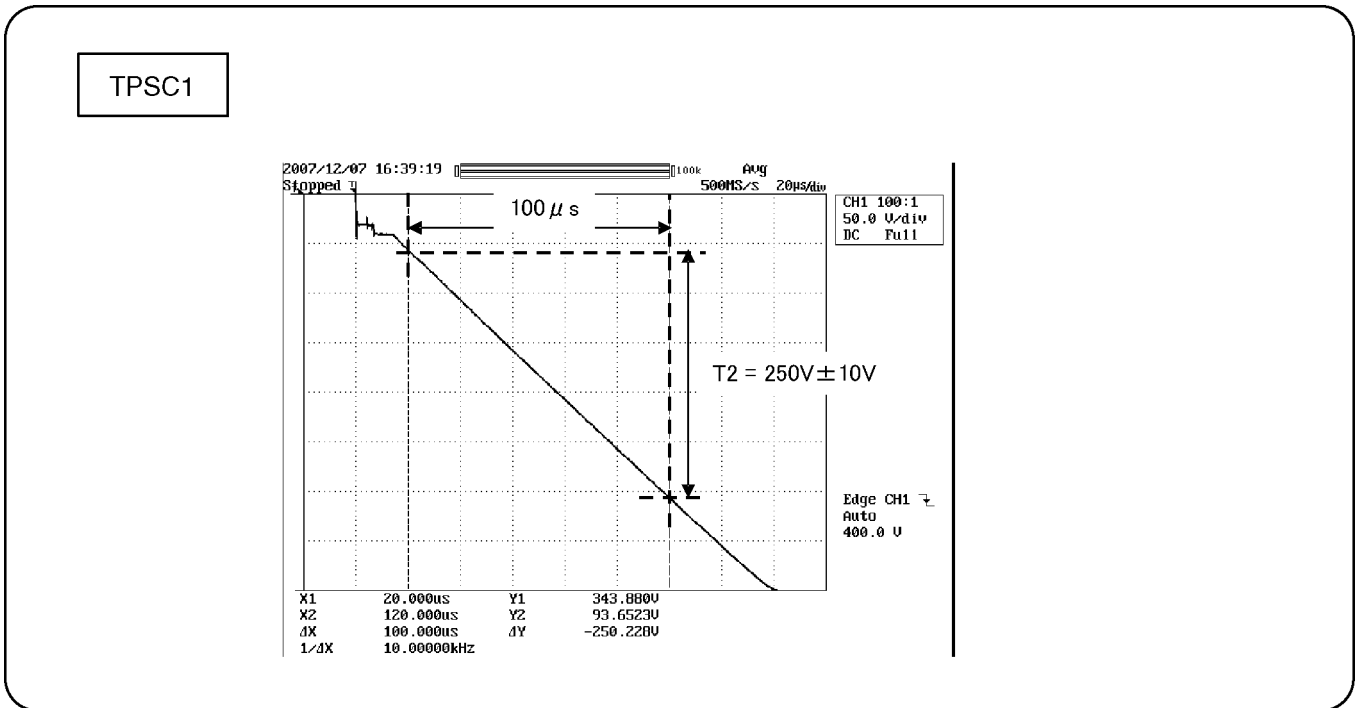
Panel Label information



### 8.1.2. Initialization Pulse Adjust

1. Input the White signal to plasma video input.
2. Set the picture controls as follows.  
Picture menu : Dynamic  
PNR : OFF  
Aspect : 16:9
3. Connect Oscilloscope to TPSC1 (SC).  
Check the voltage (T2) at 100 us period on the down slop.

	Test point	Volume	Level
T2	TPSC1 (SC)	VR16602 (SC)	250 V ± 10 V



### 8.1.3. P.C.B. (Printed Circuit Board) exchange

#### 8.1.3.1. Caution

1. To remove P.C.B. , wait 1 minute after power was off for discharge from electrolysis capacitors.

#### 8.1.3.2. Quick adjustment after P.C.B. exchange

Adjust the following voltages with the multimeter.

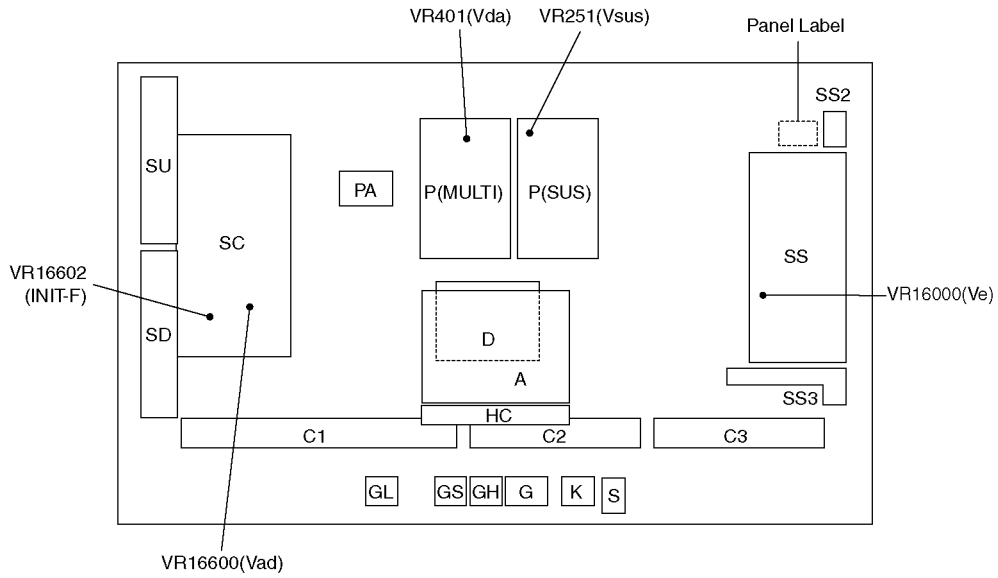
P.C.B.	Name	Test Point	Voltage	Volume	Remarks
P Board	Vsus	TPVSUS (SS)	Vsus ± 2V	VR251 (P)	*
SC Board	Vad	TPVAD (SC)	-135V ± 1V	VR16600 (SC)	
SS Board	Ve	TPVE (SS)	Ve ± 1V	VR16000 (SS)	*
A, D Board	White balance and Sub brightness for NTSC, PAL, HD, PC and 625i signals				

\*See the Panel label.

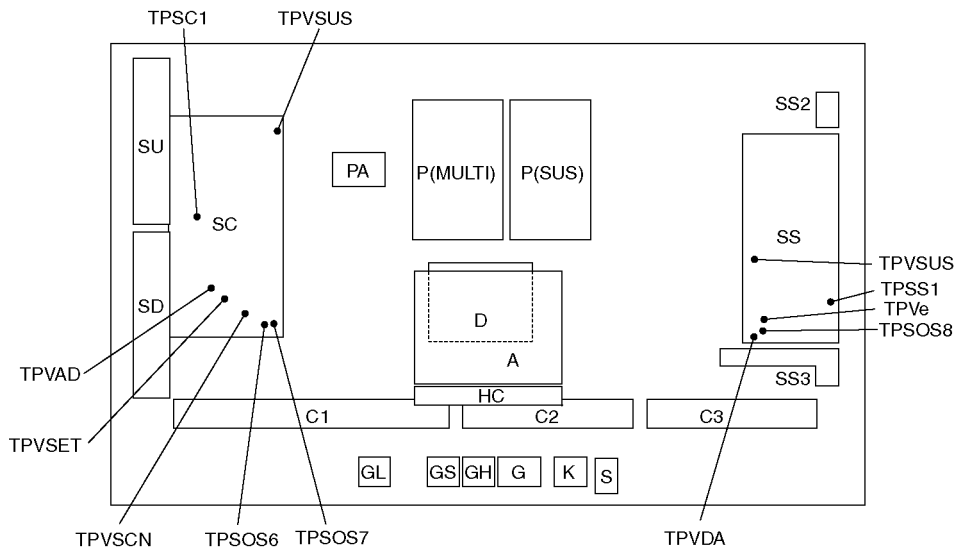
#### Caution:

Absolutely do not reduce Vsus below Ve not to damage the P.C.B.

### 8.1.4. Adjustment Volume Location

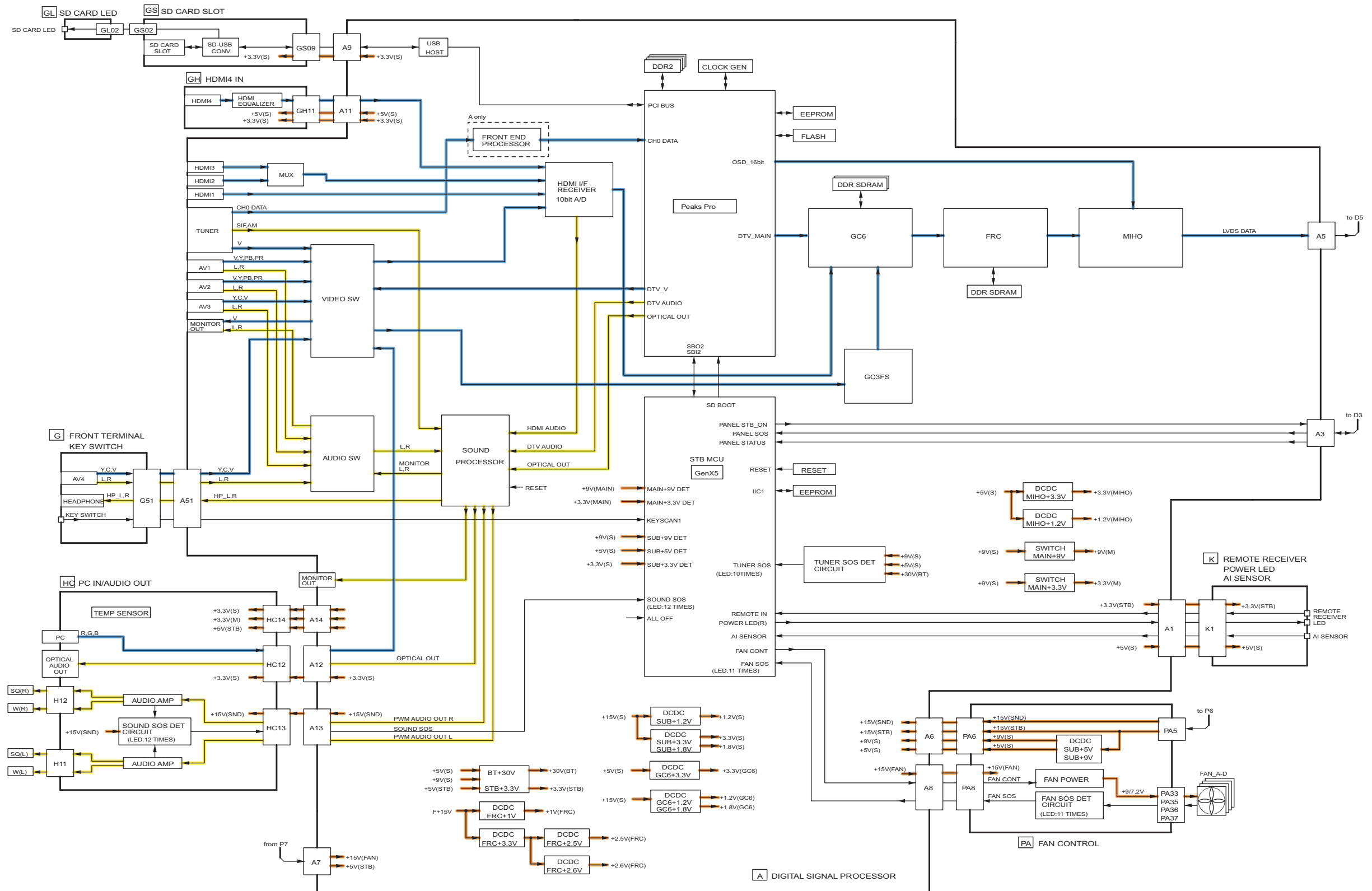


### 8.1.5. Test Point Location



# 9 Block Diagram

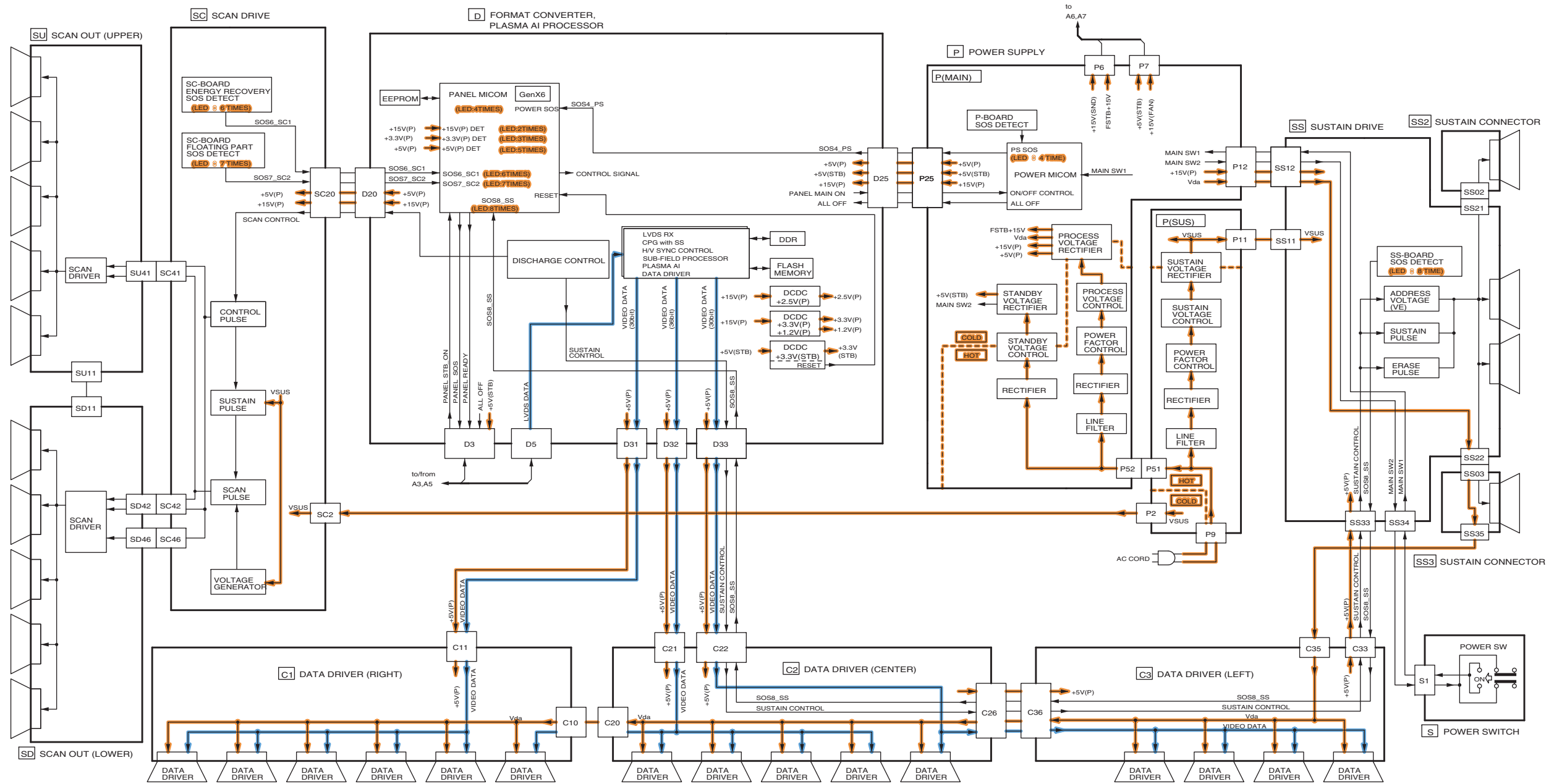
## 9.1. Block Diagram (1/6)



TH-58PY850M/MR/MS, PZ850A  
Block (1/6) Diagram

TH-58PY850M/MR/MS, PZ850A  
Block (1/6) Diagram

## 9.2. Block Diagram (2/6)

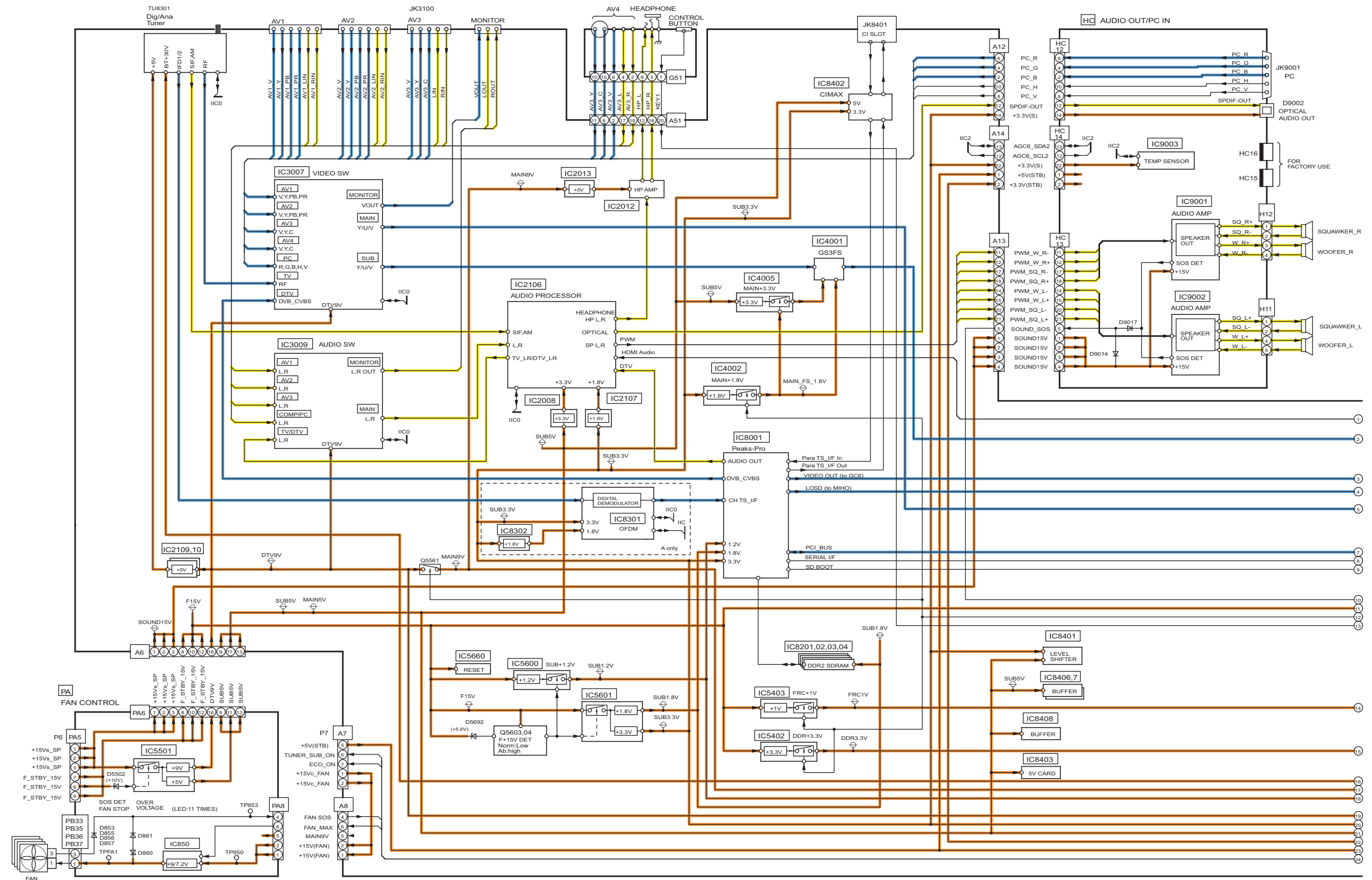


TH-58PY850M/MR/MS, PZ850A  
Block (2/6) Diagram

TH-58PY850M/MR/MS, PZ850A  
Block (2/6) Diagram



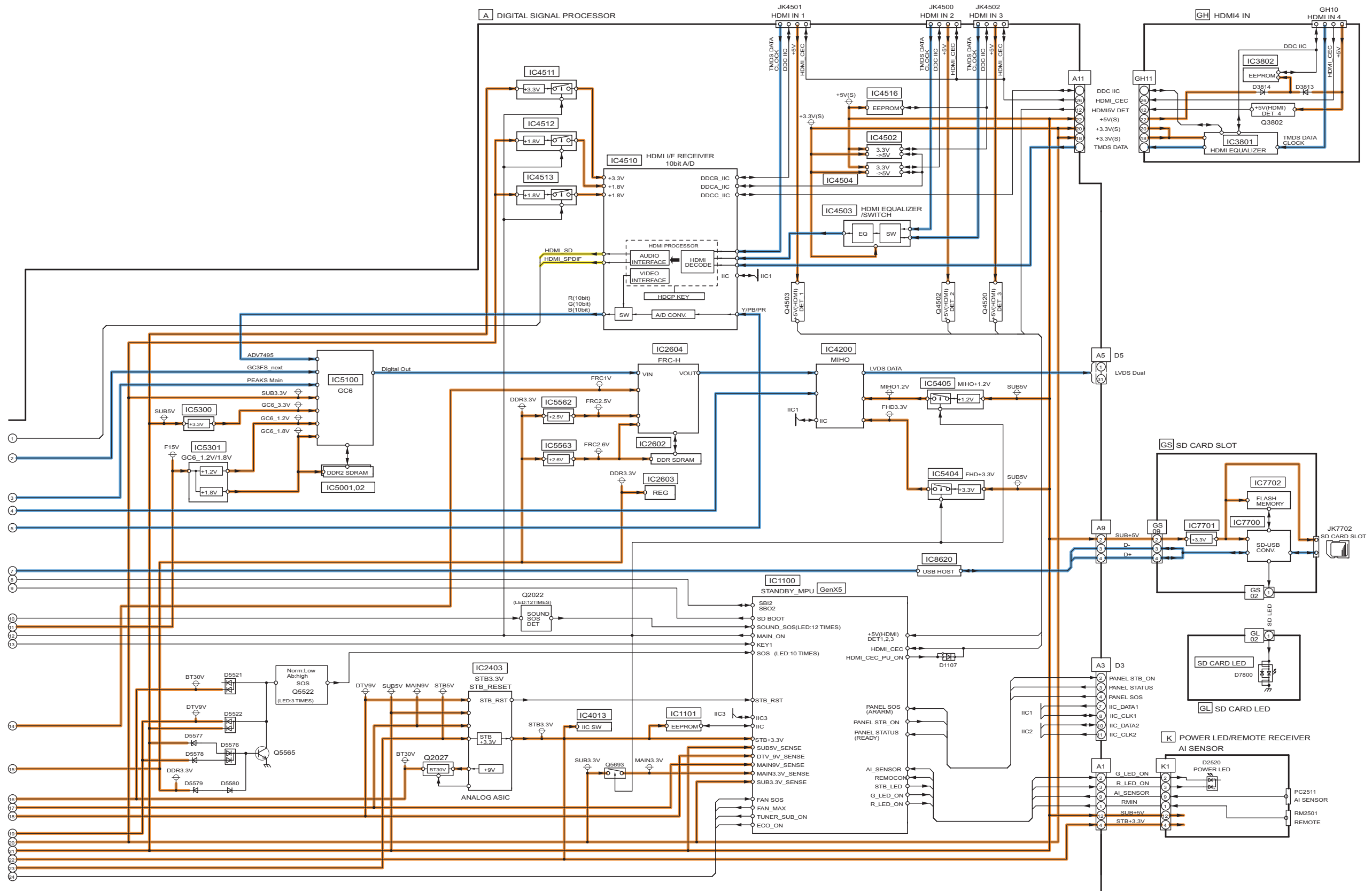
### 9.3. Block Diagram (3/6)



TH-58PY850M/MR/MS, PZ850A  
Block (3/6) Diagram

TH-58PY850M/MR/MS, PZ850A  
Block (3/6) Diagram

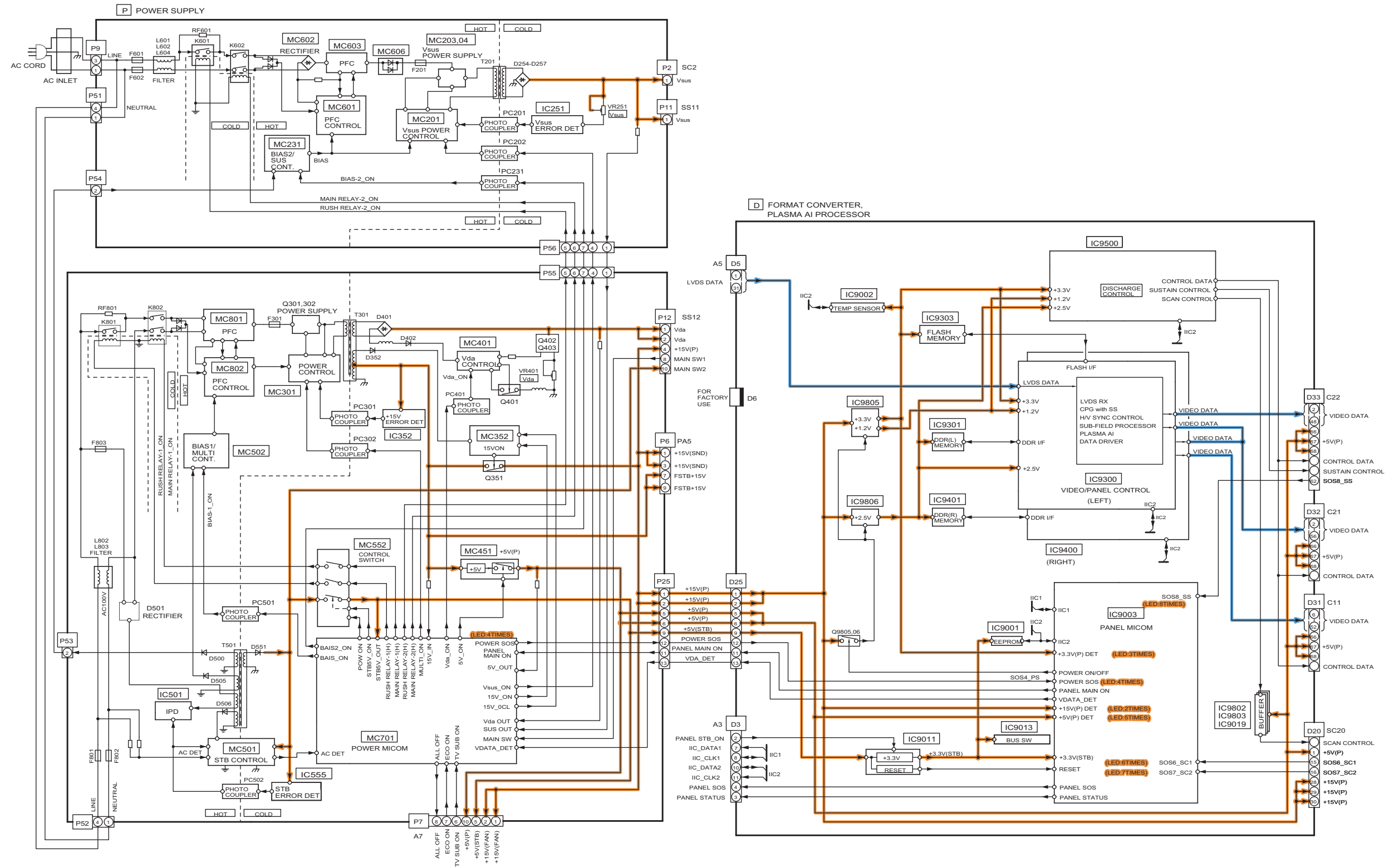
### 9.4. Block Diagram (4/6)



TH-58PY850M/MR/MS, PZ850A  
Block (4/6) Diagram

TH-58PY850M/MR/MS, PZ850A  
Block (4/6) Diagram

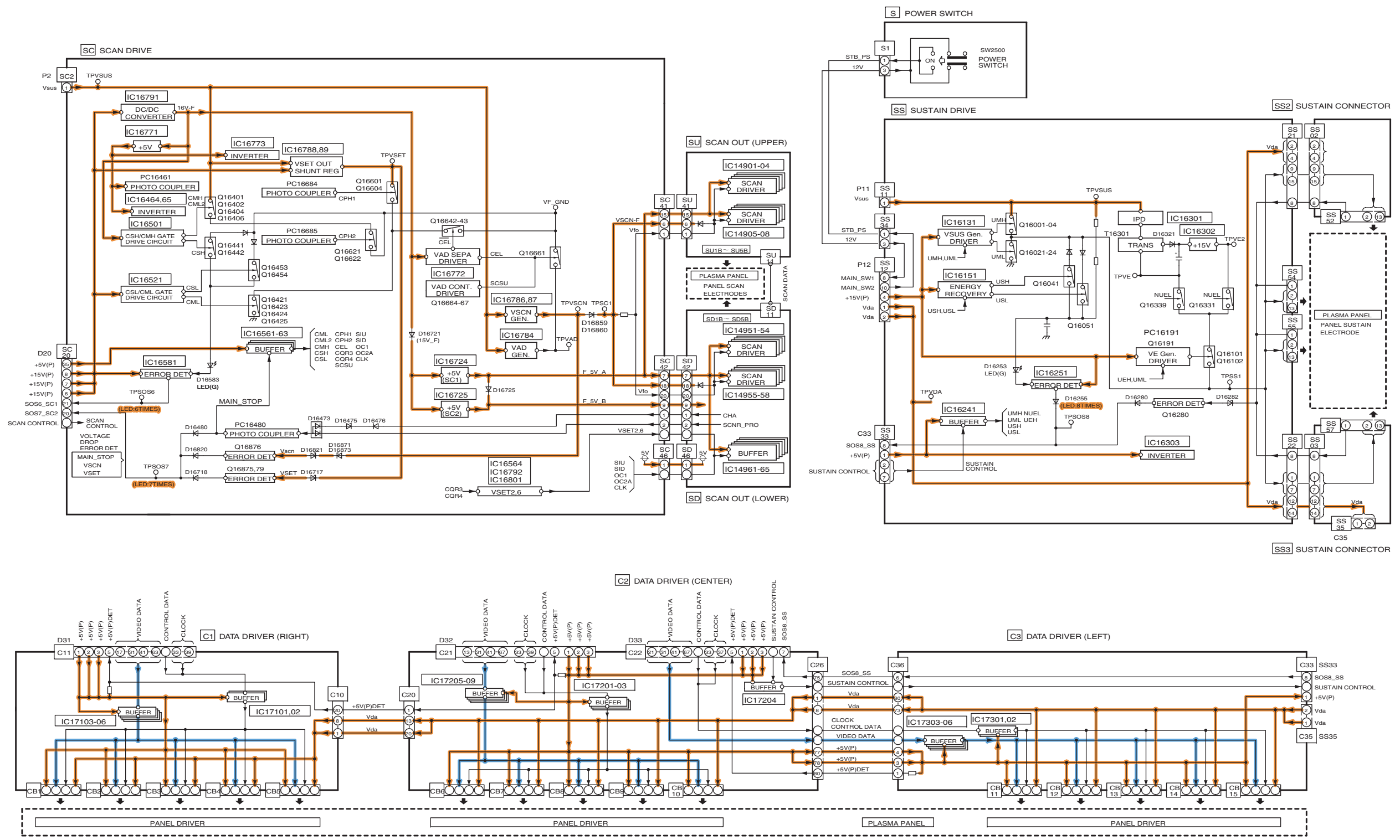
## 9.5. Block Diagram (5/6)



TH-58PY850M/MR/MS, PZ850A  
Block (5/6) Diagram

TH-58PY850M/MR/MS, PZ850A  
Block (5/6) Diagram

### 9.6. Block Diagram (6/6)



TH-58PY850M/MR/MS, PZ850A  
Block (6/6) Diagram

TH-58PY850M/MR/MS, PZ850A  
Block (6/6) Diagram

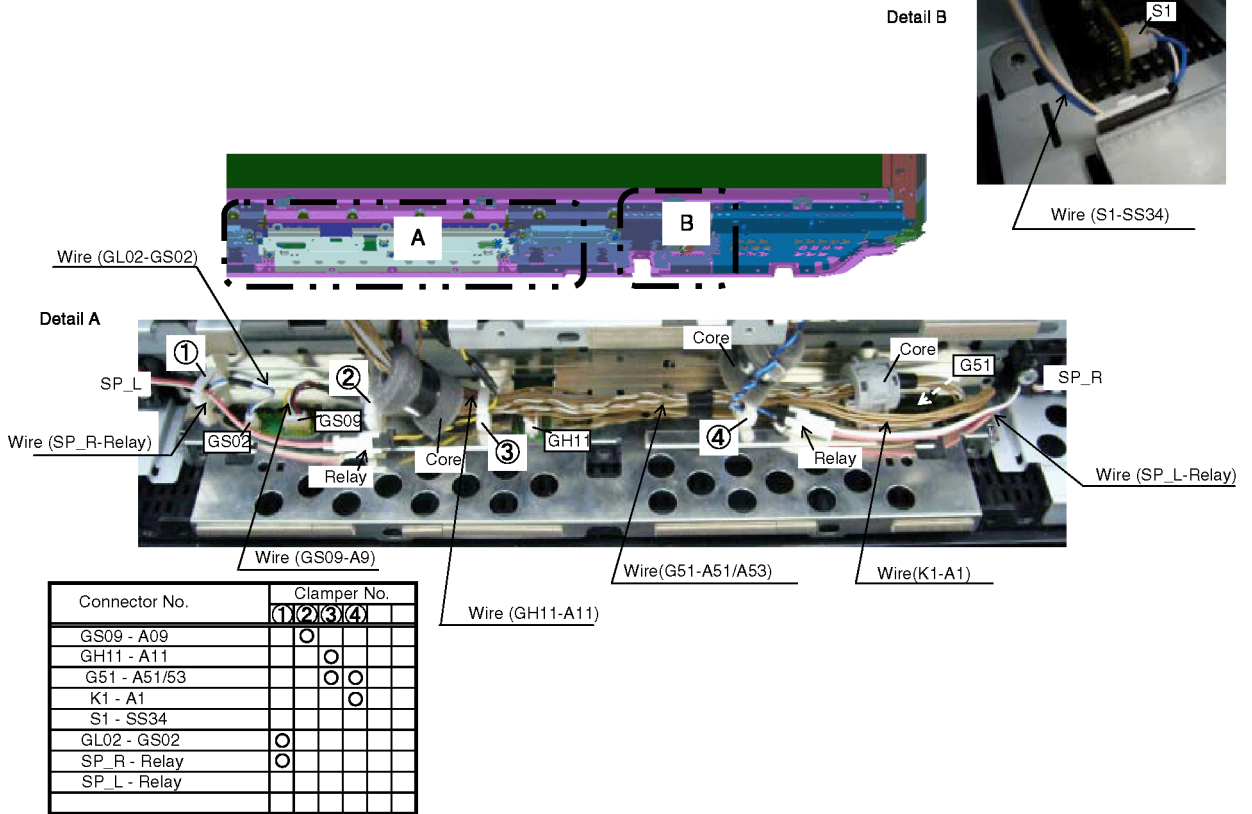
# 10 Wiring Connection Diagram

## 10.1. Caution statement.

**Caution:**

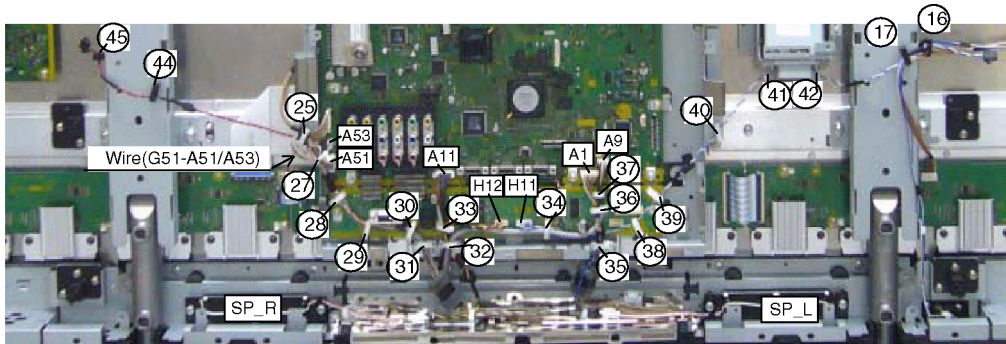
Please confirm that all flexible cables are assembled correctly.  
 Also make sure that they are locked in the connectors.  
 Verify by giving the flexible cables a very slight pull.

## 10.2. Wiring (1)

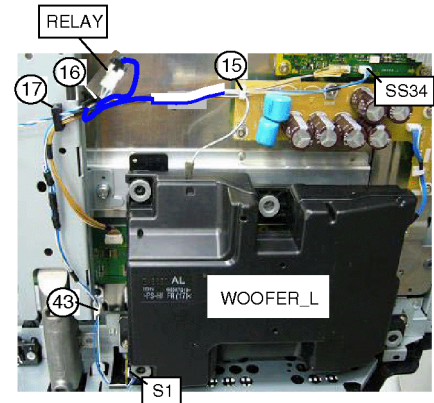
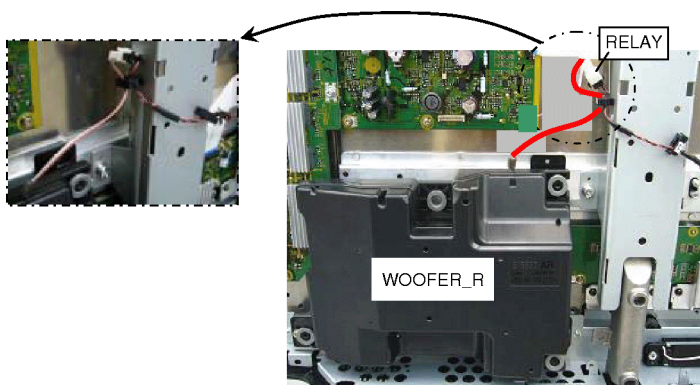




## 10.4. Wiring (3)



Connector No.	Clamper No.																							
	3	4	16	17	25	27	28	29	30	31	32	33	34	35	36	37	38	39	40	41	42	44	45	
G51 - A51/A53																								
GH11 - A11																								
K1 - A1																								
GS09 - A9																								
H12 - Relay(SP_R)																								
H12 - Relay(Woofer_R)																								
H11 - Relay(SP_L)																								
H11 - Relay(Woofer_L)																								



Connector No.	Clamper No.			
	15	16	17	43
S1 - SS34				
Relay(Woofer_R) - Woofer_R				
Relay(Woofer_L) - Woofer_L				





# 11 Schematic Diagram

## 11.1. Schematic Diagram Note

**Notes:**

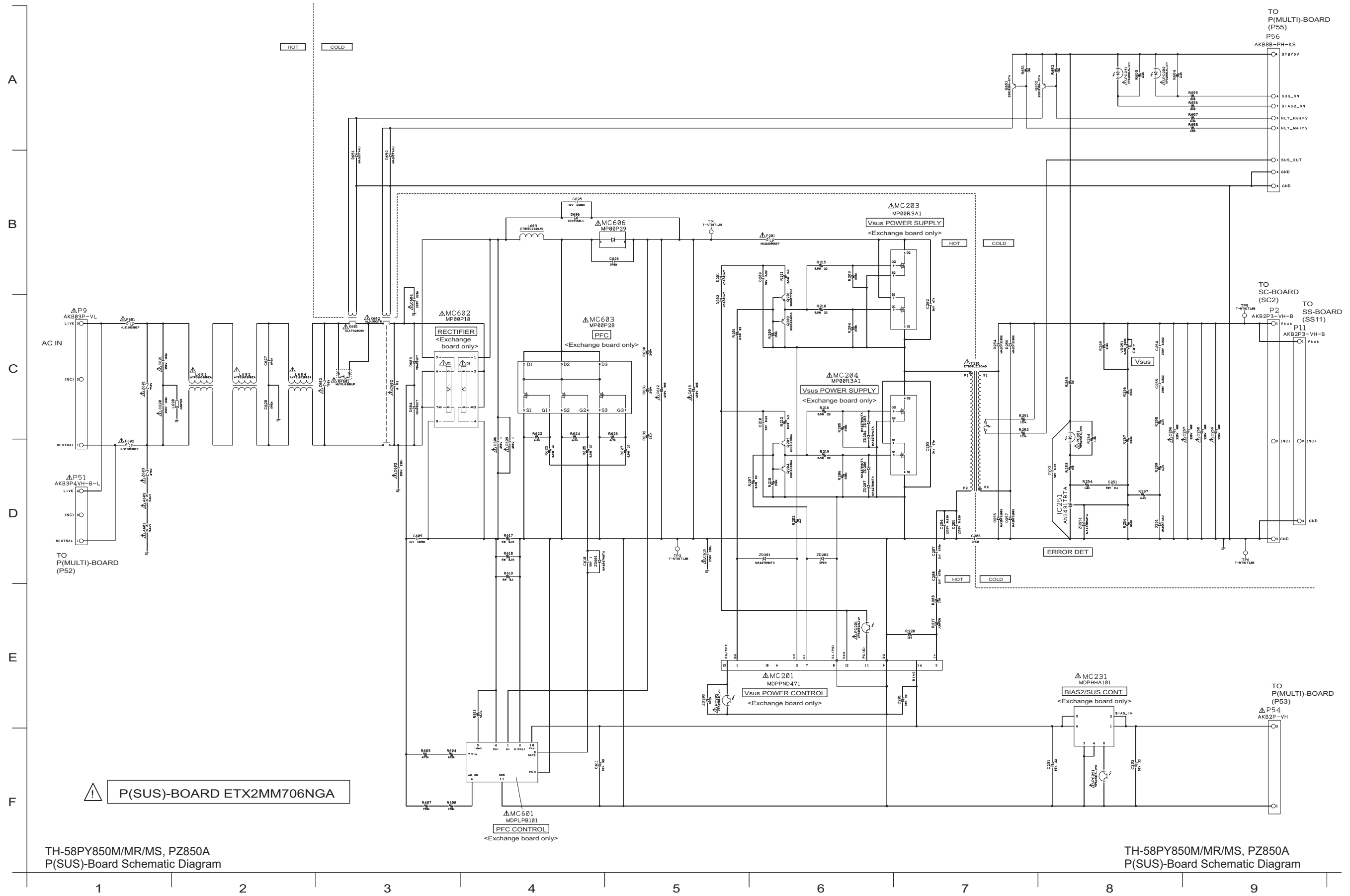
1. **Resistor**  
Unit of resistance is OHM [ $\Omega$ ] (K=1,000, M=1,000,000).
2. **Capacitor**  
Unit of capacitance is  $\mu$ F, unless otherwise noted.
3. **Coil**  
Unit of inductance is H, unless otherwise noted.
4. **Test Point**  
⊙ : Test Point position
5. **Earth Symbol**  
≡ : Chassis Earth (Cold)          ↓ : Line Earth (Hot)
6. **Voltage Measurement**  
Voltage is measured by a DC voltmeter.  
Conditions of the measurement are the following:  

Power Source .....	AC220V-240V, 50/60Hz (A/M/MR)
	AC110V-240V, 50/60Hz (MS)
Receiving Signal .....	Colour Bar signal (RF)
All customer's controls .....	Maximum positions
7. When arrow mark ( $\nearrow$ ) is found, connection is easily found from the direction of arrow.
8. Indicates the major signal flow.      : Video  $\Rightarrow$       Audio  $\Leftrightarrow$
9. This schematic diagram is the latest at the time of printing and subject to change without notice.

**Remarks:**

1. The Power Circuit contains a circuit area which uses a separate power supply to isolate the earth connection.  
The circuit is defined by HOT and COLD indications in the schematic diagram. Take the following precautions.  
All circuits, except the Power Circuit, are cold.  
Precautions
  - a. Do not touch the hot part or the hot and cold parts at the same time or you may be shocked.
  - b. Do not short- circuit the hot and cold circuits or a fuse may blow and parts may break.
  - c. Do not connect an instrument, such as an oscilloscope, to the hot and cold circuits simultaneously or a fuse may blow.  
Connect the earth of instruments to the earth connection of the circuit being measured.
  - d. Make sure to disconnect the power plug before removing the chassis.

# 11.2. P(SUS)-Board Schematic Diagram

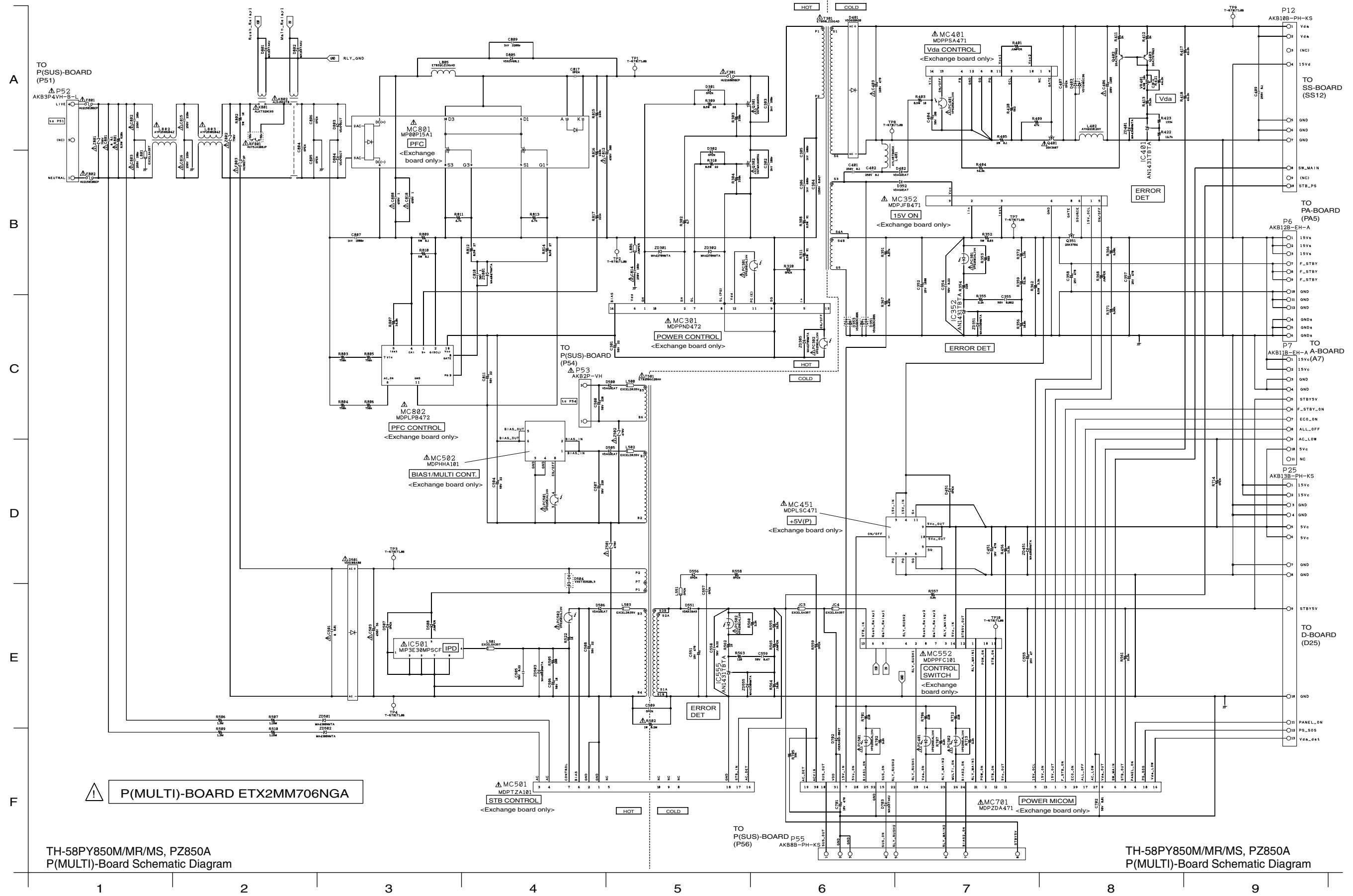


**P(SUS)-BOARD ETX2MM706NGA**

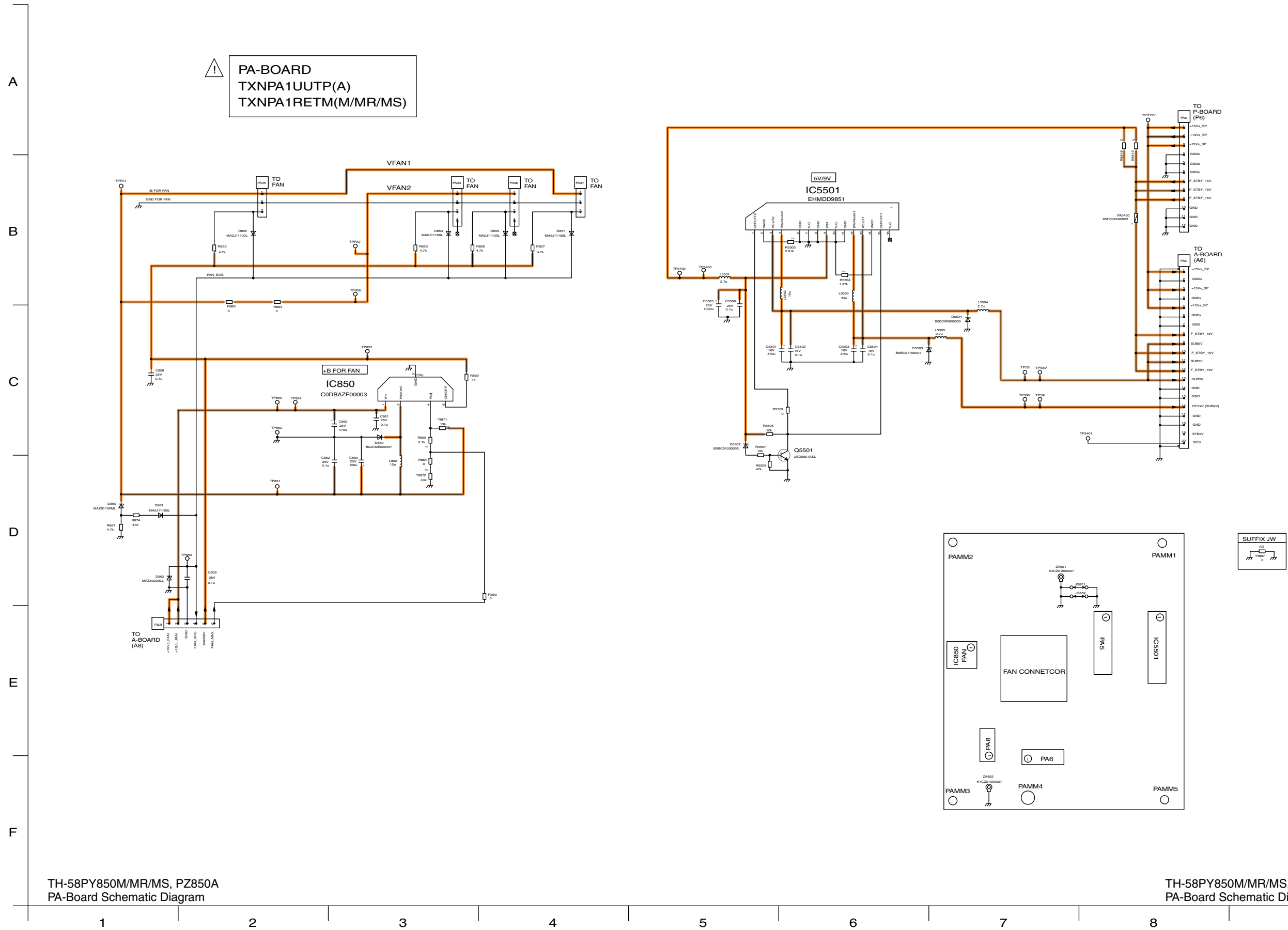
TH-58PY850M/MR/MS, PZ850A  
P(SUS)-Board Schematic Diagram

TH-58PY850M/MR/MS, PZ850A  
P(SUS)-Board Schematic Diagram

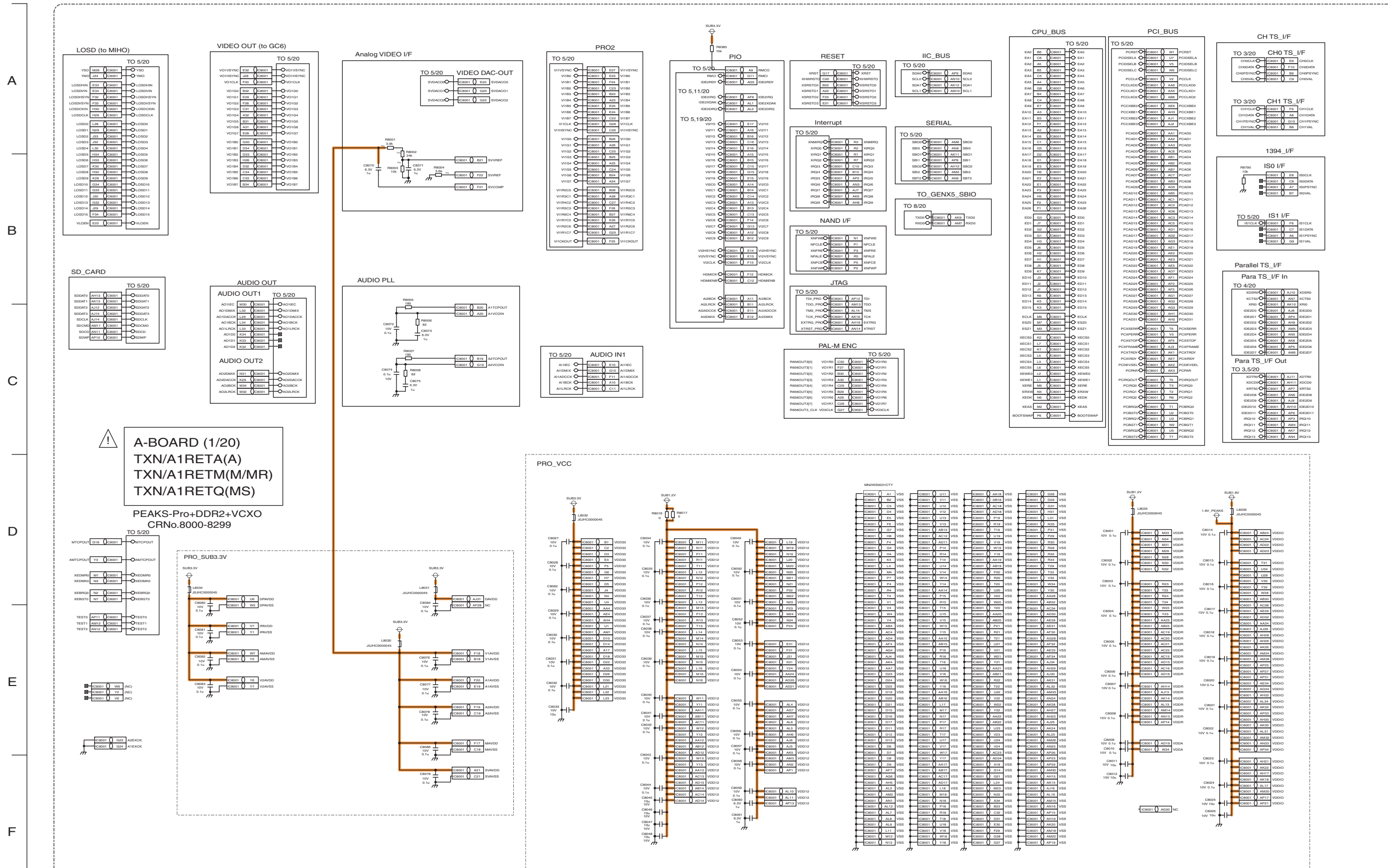
# 11.3. P(MULTI)-Board Schematic Diagram



# 11.4. PA-Board Schematic Diagram



# 11.5. A-Board (1/20) Schematic Diagram

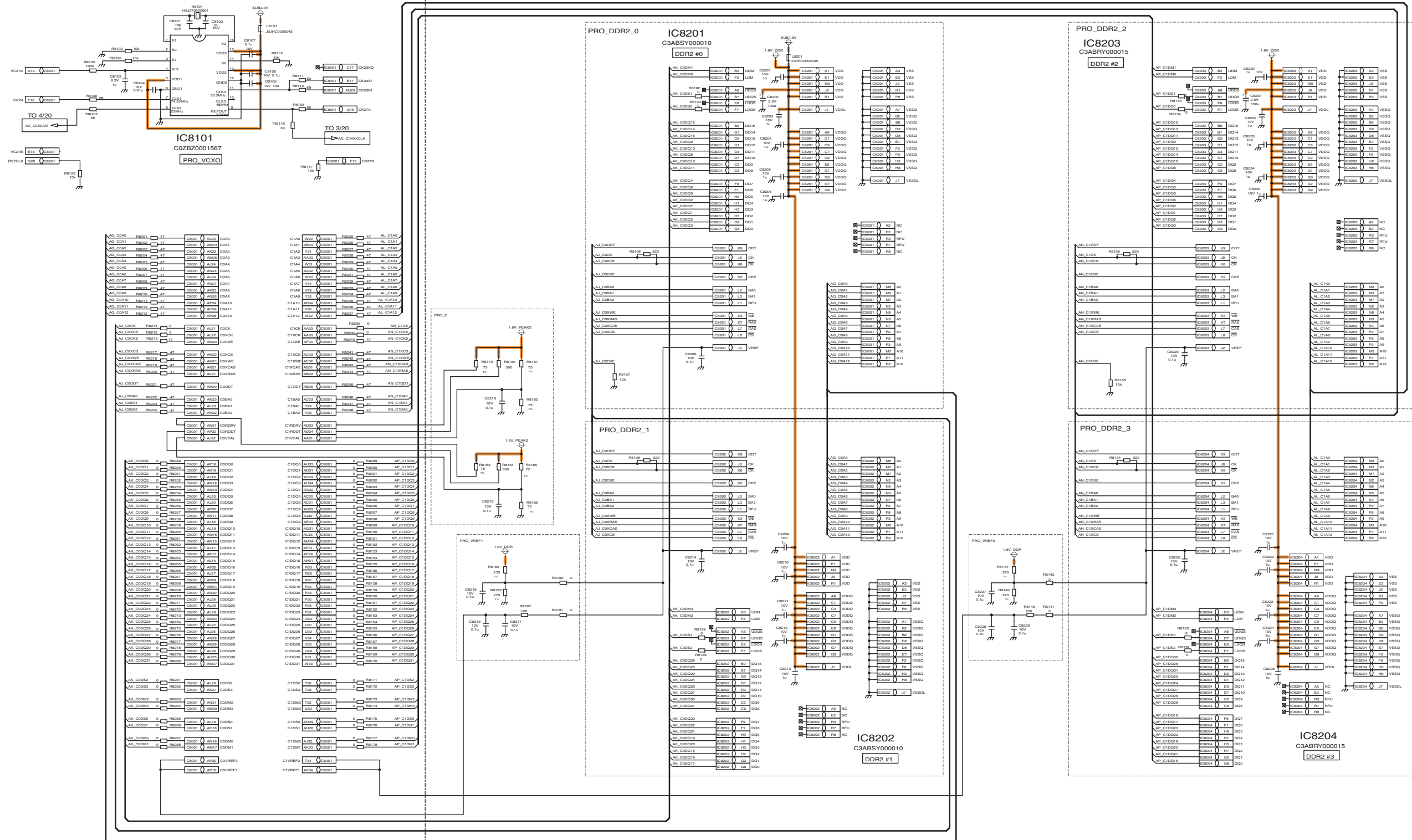


TH-58PY850M/MR/MS, PZ850A A-Board (1/20) Schematic Diagram

TH-58PY850M/MR/MS, PZ850A A-Board (1/20) Schematic Diagram

# 11.6. A-Board (2/20) Schematic Diagram

**A-BOARD (2/20) TXN/A1RETM(M/MR)  
TXN/A1RETA(A) TXN/A1RETM(MS)**      **PEAKS-Pro+DDR2+VCXO**  
CRNo.8000-8299



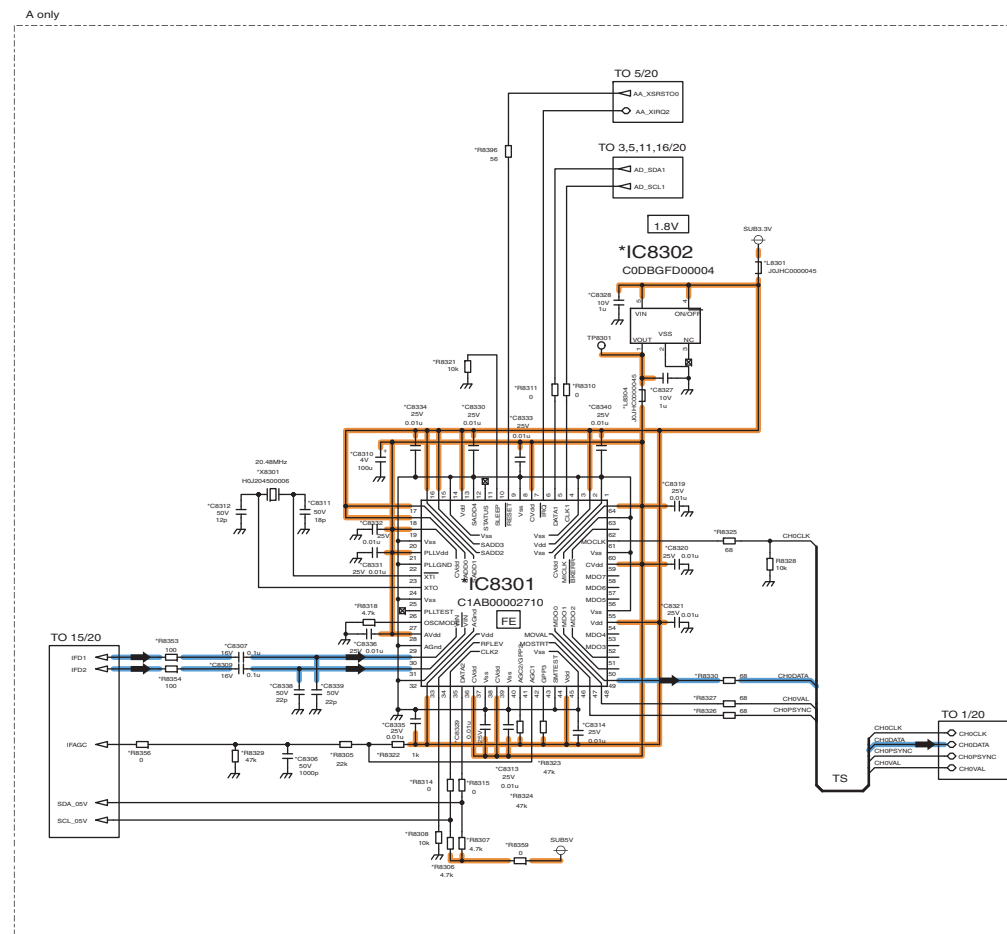
TH-58PY850M/MR/MS, PZ850A A-Board (2/20) Schematic Diagram

TH-58PY850M/MR/MS, PZ850A A-Board (2/20) Schematic Diagram

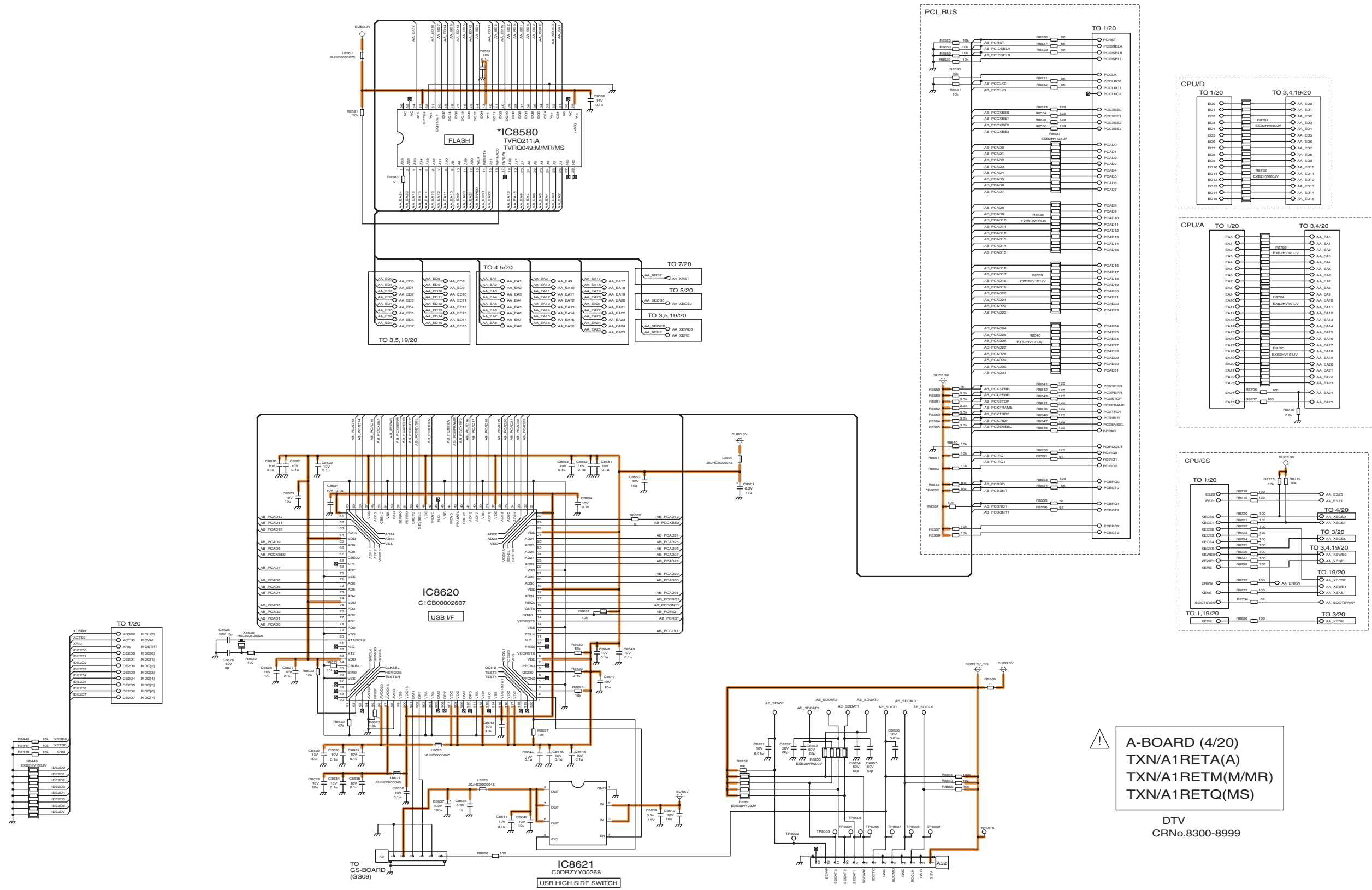
10      11      12      13      14      15      16      17      18

# 11.7. A-Board (3/20) Schematic Diagram

! A-BOARD (3/20)  
 TXN/A1RETA(A)  
 TXN/A1RETM(M/MR)  
 TXN/A1RETQ(MS)  
 DTV  
 CRNo.8300-8999



# 11.8. A-Board (4/20) Schematic Diagram



**A-BOARD (4/20)**  
**TXN/A1RETA(A)**  
**TXN/A1RETM(M/MR)**  
**TXN/A1RETQ(MS)**

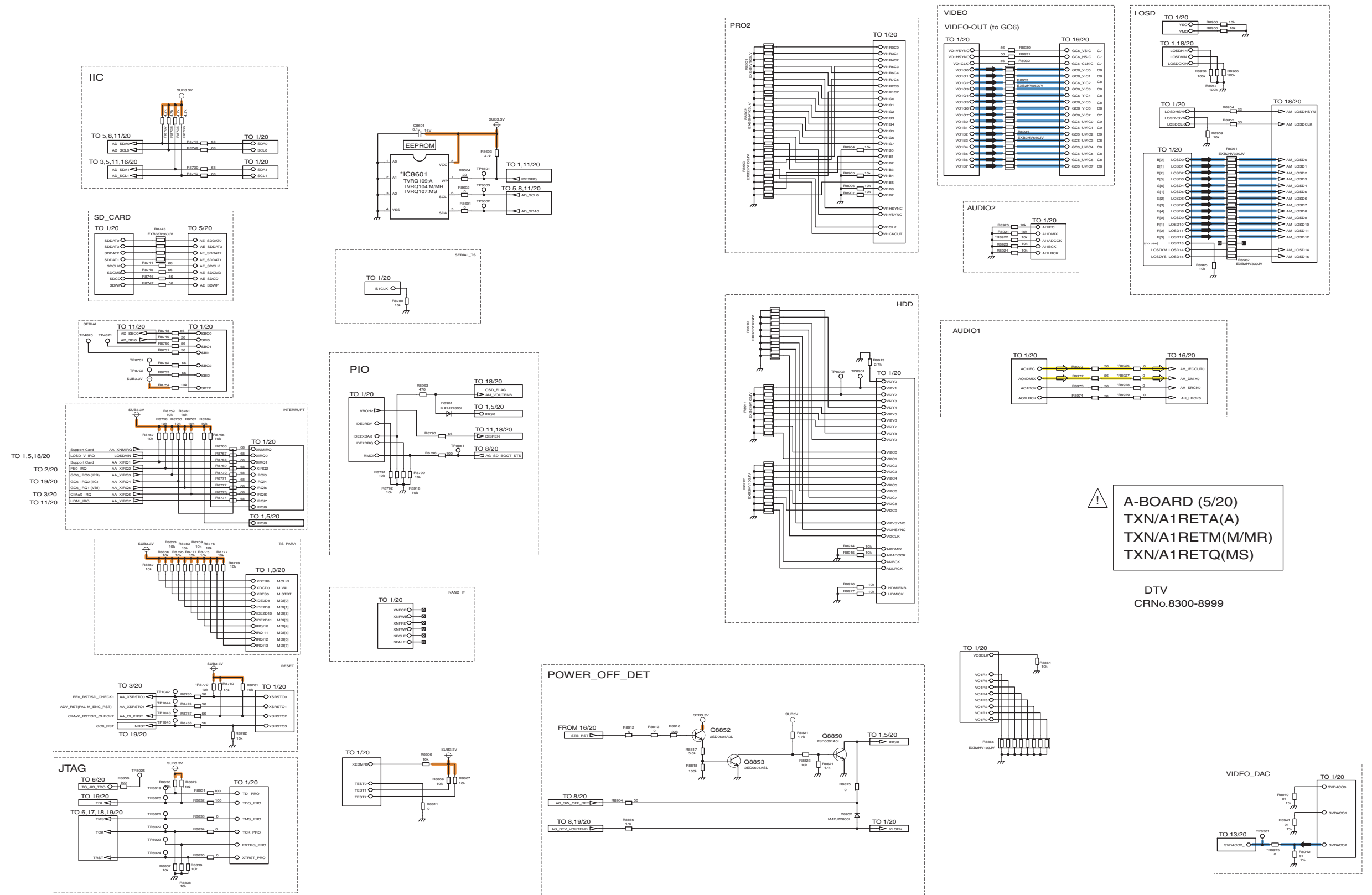
DTV  
 CRNo.8300-8999

TH-58PY850M/MR/MS, PZ850A  
 A-Board (4/20) Schematic Diagram

TH-58PY850M/MR/MS, PZ850A  
 A-Board (4/20) Schematic Diagram



# 11.9. A-Board (5/20) Schematic Diagram



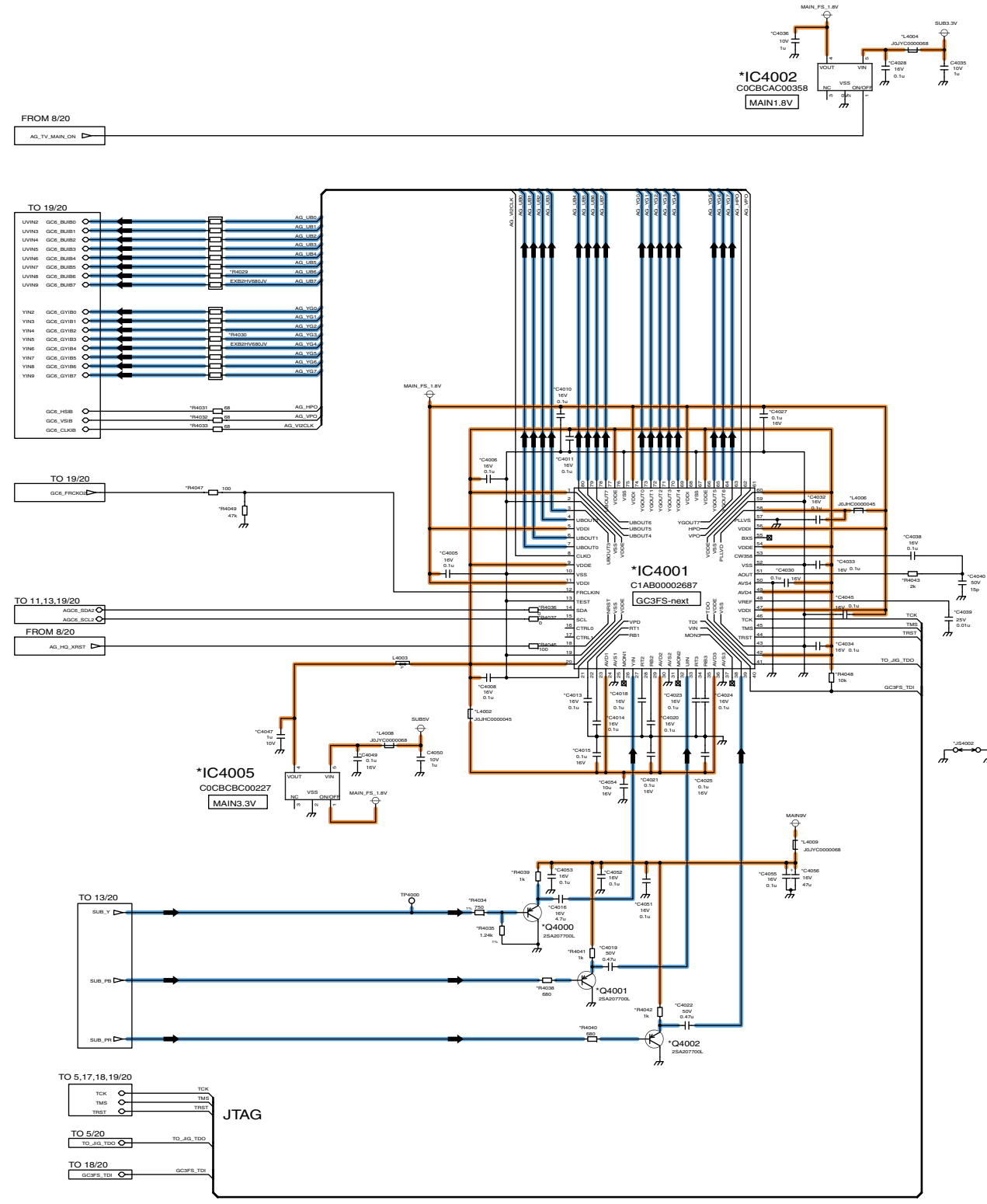
⚠ **A-BOARD (5/20)**  
**TXN/A1RETA(A)**  
**TXN/A1RETM(M/MR)**  
**TXN/A1RETQ(MS)**

DTV  
 CRNo.8300-8999

TH-58PY850M/MR/MS, PZ850A  
 A-Board (5/20) Schematic Diagram

TH-58PY850M/MR/MS, PZ850A  
 A-Board (5/20) Schematic Diagram

# 11.10. A-Board (6/20) Schematic Diagram



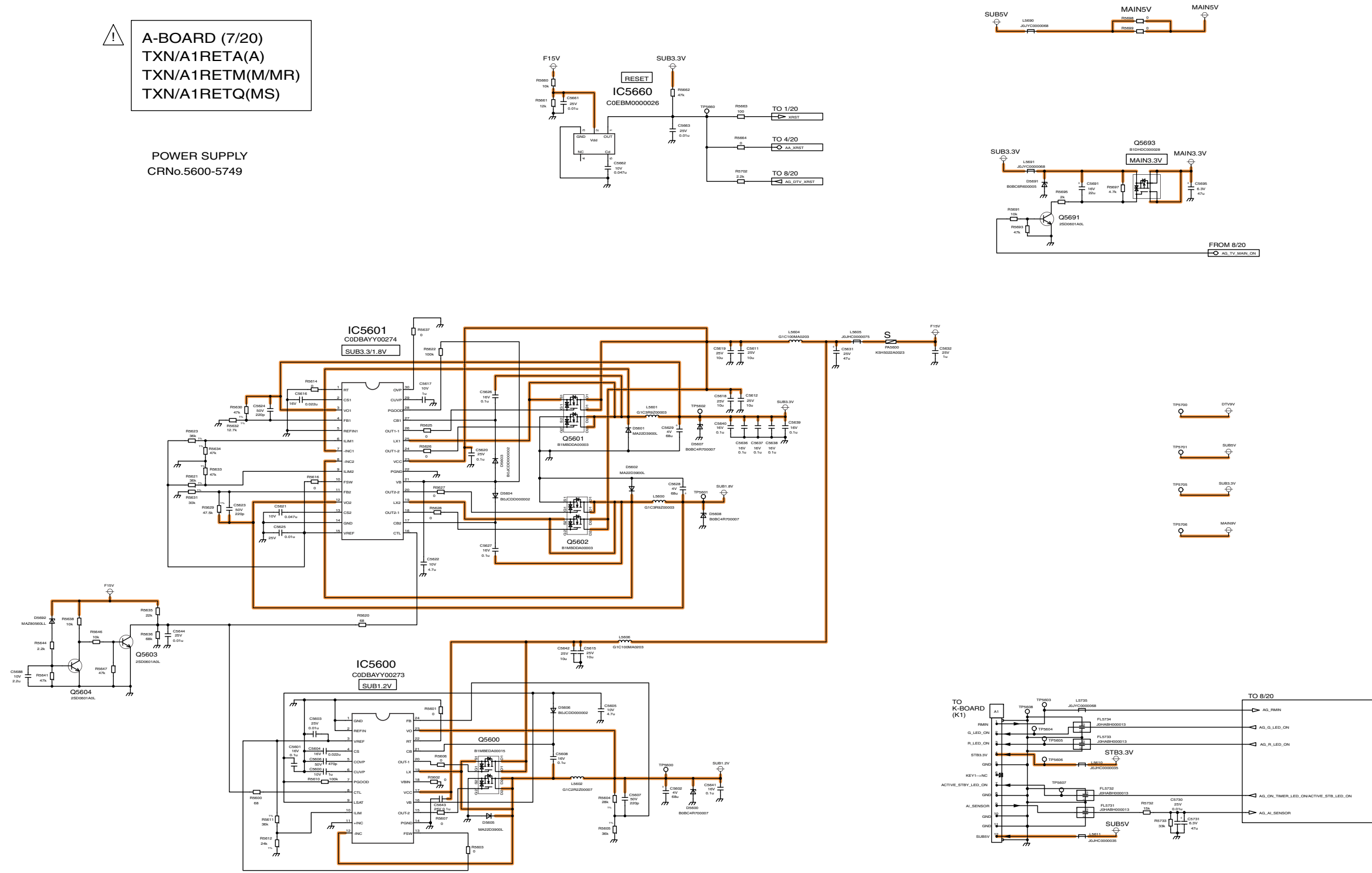
! A-BOARD (6/20)  
 TXN/A1RETA(A)  
 TXN/A1RETM(M/MR)  
 TXN/A1RETQ(MS)

GC3FS-next  
 CRNo.4000-4199

# 11.11. A-Board (7/20) Schematic Diagram

⚠ A-BOARD (7/20)  
TXN/A1RETA(A)  
TXN/A1RETM(M/MR)  
TXN/A1RETQ(MS)

POWER SUPPLY  
CRNo.5600-5749



TH-58PY850M/MR/MS, PZ850A  
A-Board (7/20) Schematic Diagram

TH-58PY850M/MR/MS, PZ850A  
A-Board (7/20) Schematic Diagram

55

56

57

58

59

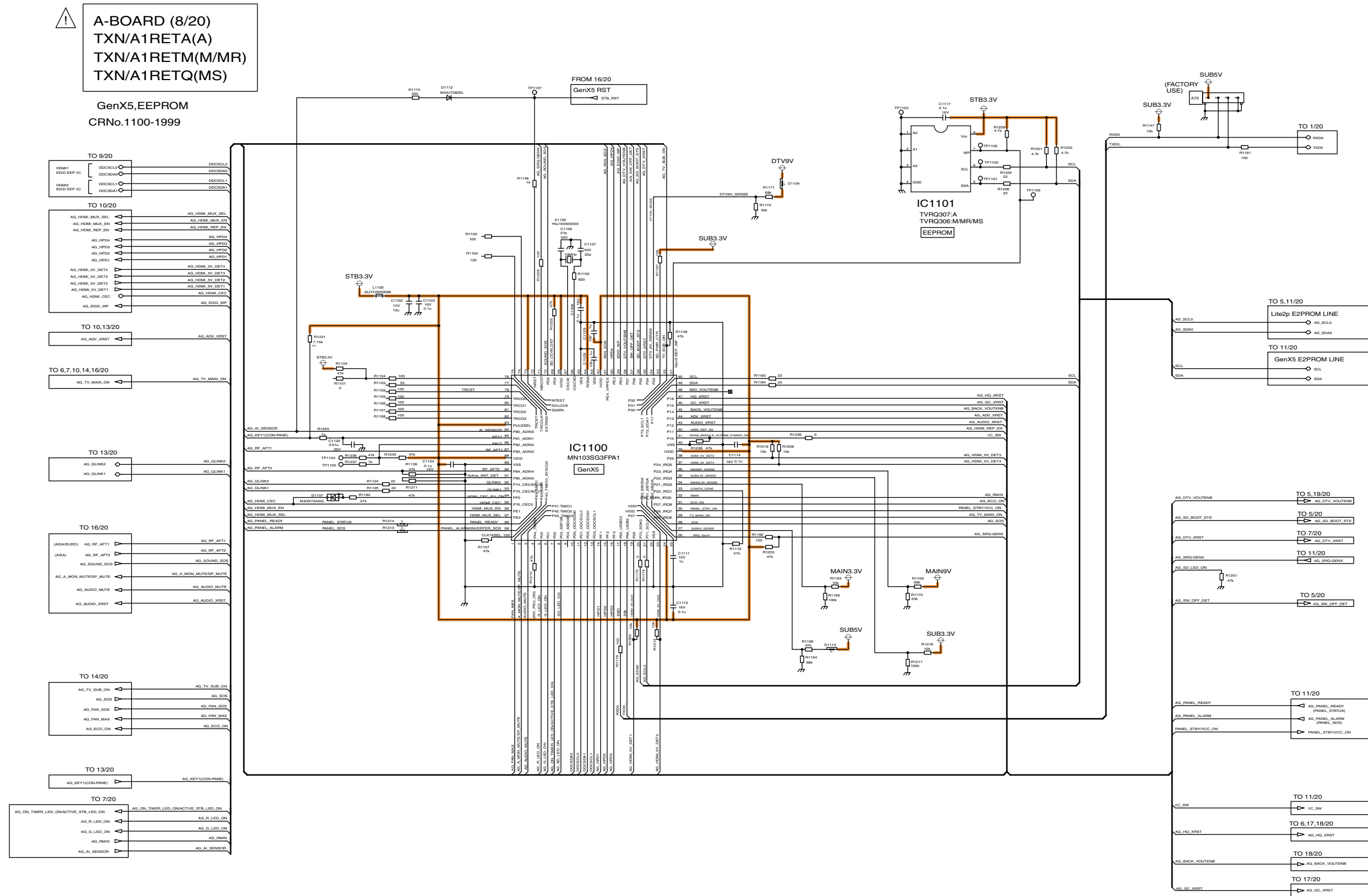
60

61

62

63

11.12. A-Board (8/20) Schematic Diagram



TH-58PY850M/MR/MS, PZ850A  
A-Board (8/20) Schematic Diagram

TH-58PY850M/MR/MS, PZ850A  
A-Board (8/20) Schematic Diagram

64

65

66

67

68

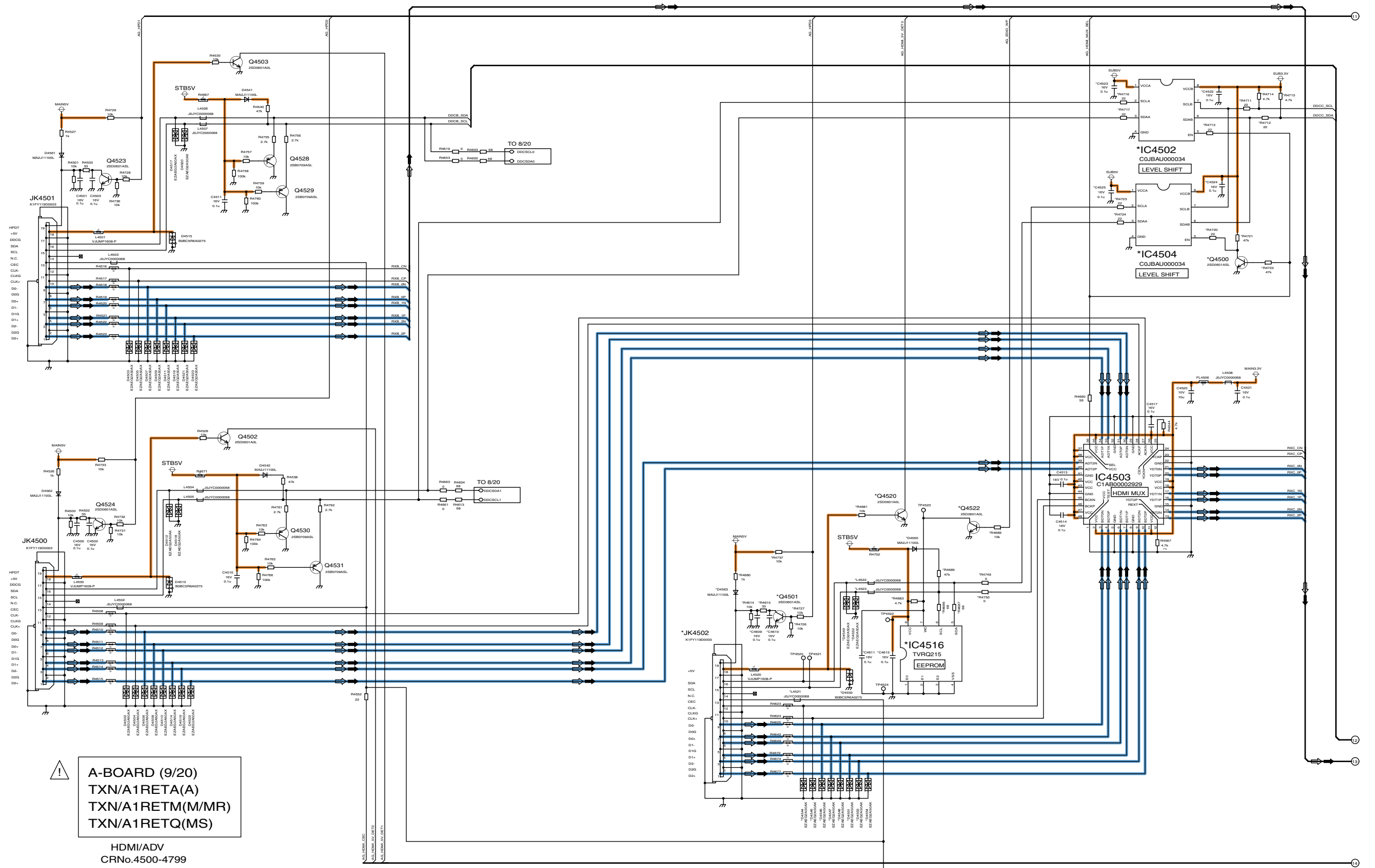
69

70

71

72

# 11.13. A-Board (9/20) Schematic Diagram



⚠ A-BOARD (9/20)  
 TXN/A1RETA(A)  
 TXN/A1RETM(M/MR)  
 TXN/A1RETQ(MS)

HDMI/ADV  
 CRNo.4500-4799

TH-58PY850M/MR/MS, PZ850A  
 A-Board (9/20) Schematic Diagram

TH-58PY850M/MR/MS, PZ850A  
 A-Board (9/20) Schematic Diagram

73

74

75

76

77

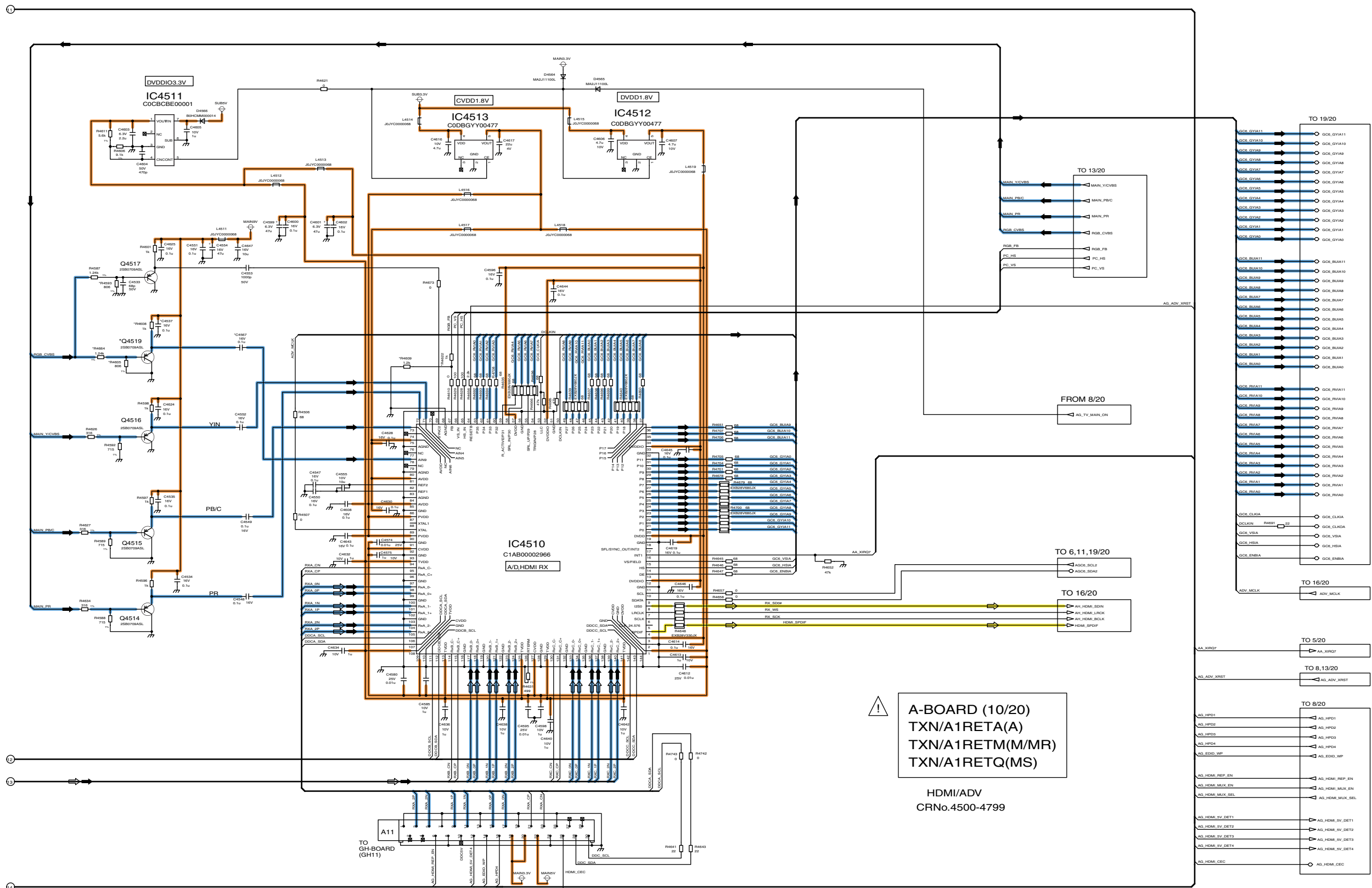
78

79

80

81

# 11.14. A-Board (10/20) Schematic Diagram



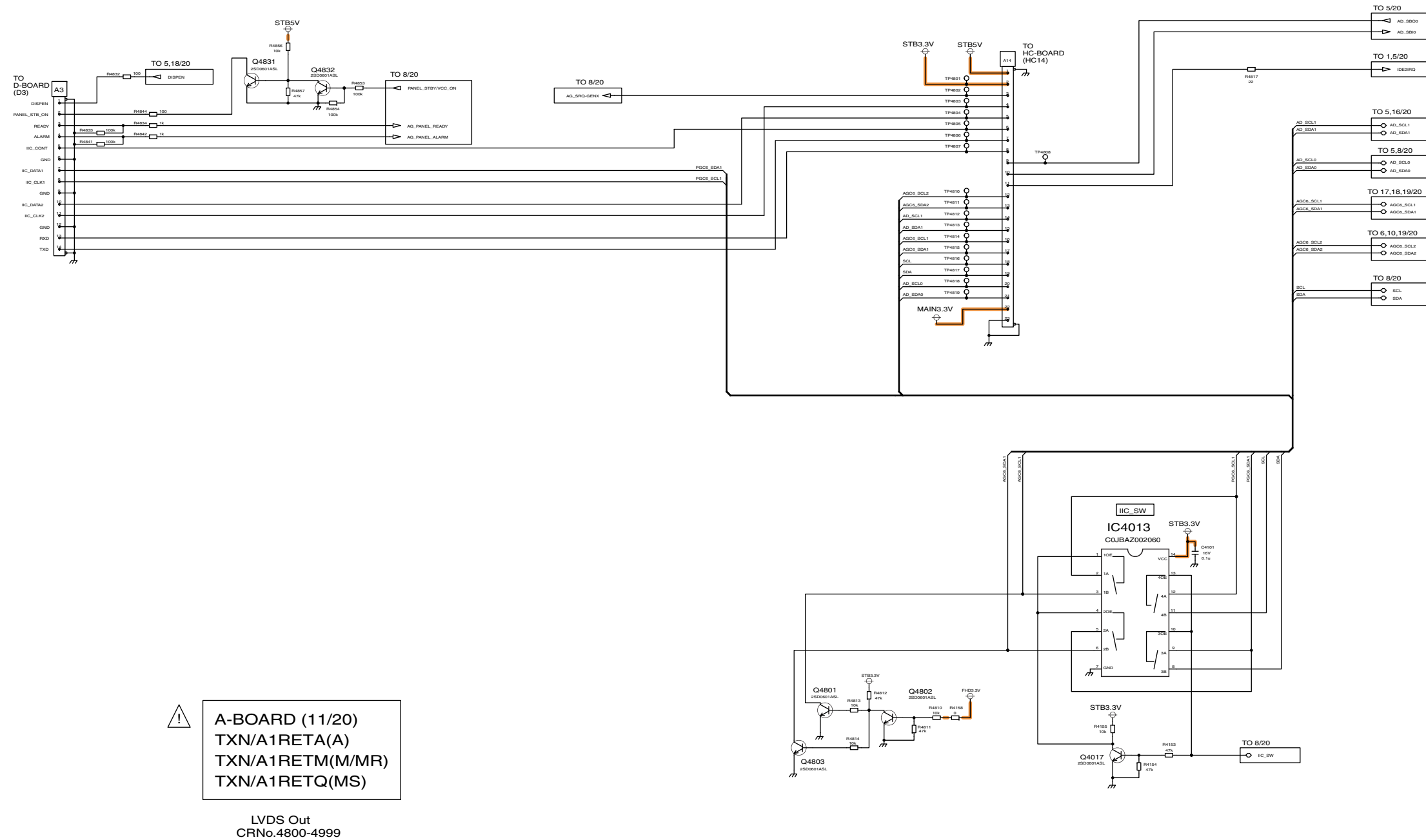
**A-BOARD (10/20)**  
TXN/A1RETA(A)  
TXN/A1RETM(M/MR)  
TXN/A1RETQ(MS)

HDMI/ADV  
CRNo.4500-4799

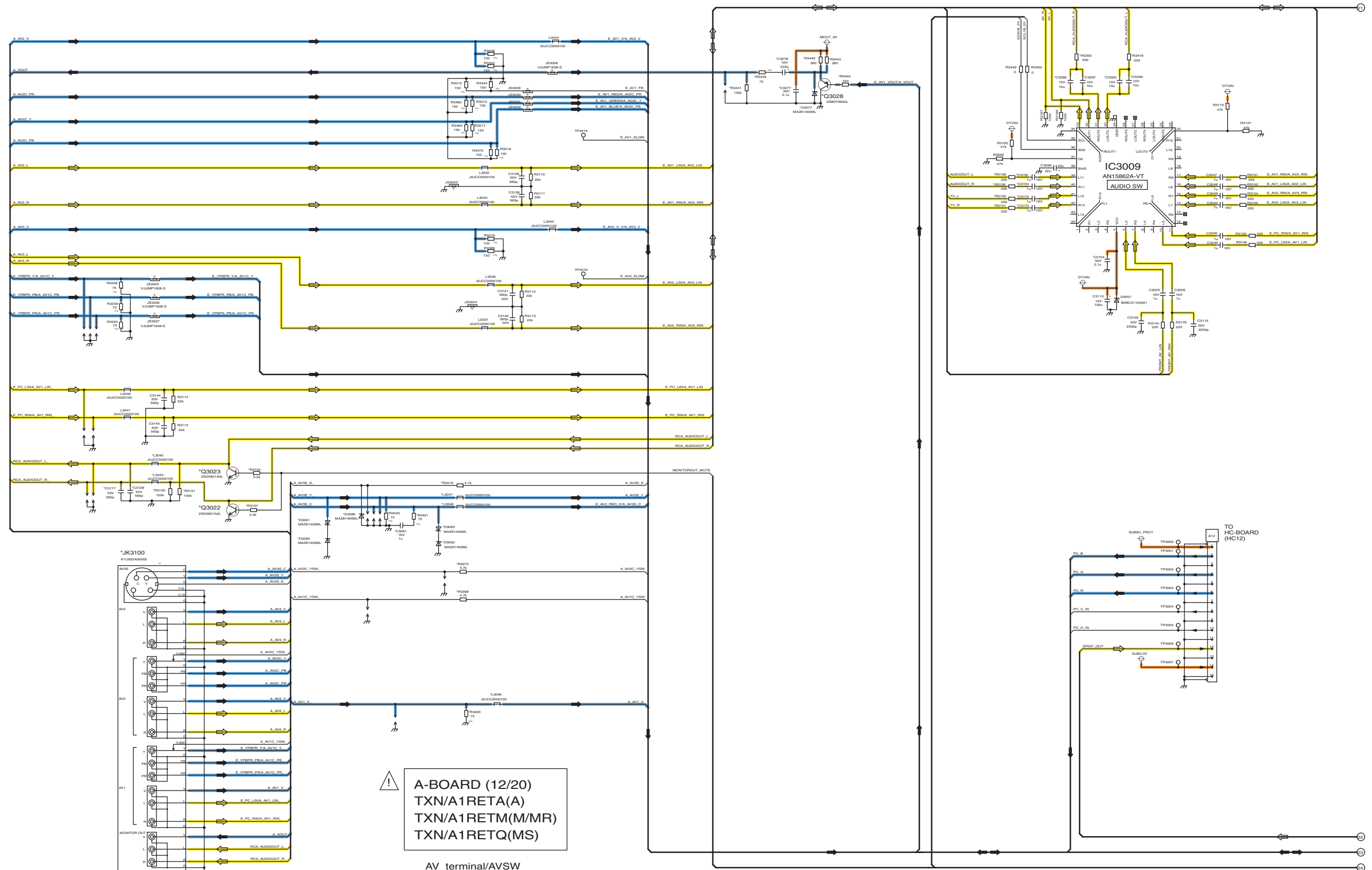
TH-58PY850M/MR/MS, PZ850A  
A-Board (10/20) Schematic Diagram

TH-58PY850M/MR/MS, PZ850A  
A-Board (10/20) Schematic Diagram

# 11.15. A-Board (11/20) Schematic Diagram



# 11.16. A-Board (12/20) Schematic Diagram



TH-58PY850M/MR/MS, PZ850A  
A-Board (12/20) Schematic Diagram

TH-58PY850M/MR/MS, PZ850A  
A-Board (12/20) Schematic Diagram

⚠ A-BOARD (12/20)  
TXN/A1RETA(A)  
TXN/A1RETM(M/MR)  
TXN/A1RETQ(MS)

AV\_terminal/AVSW  
CRNo.3000-3599

100

101

102

103

104

105

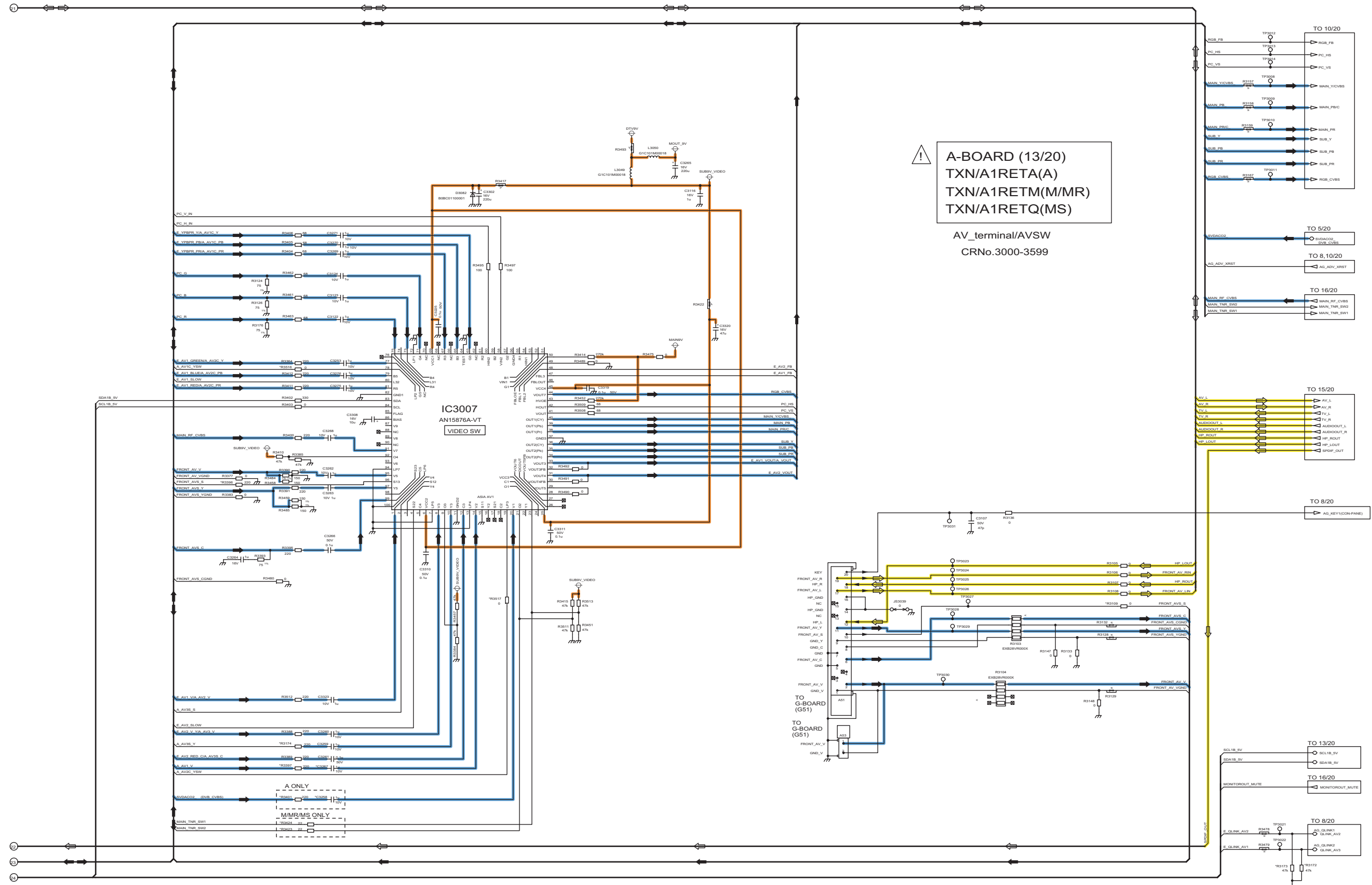
106

107

108



# 11.17. A-Board (13/20) Schematic Diagram



TH-58PY850M/MR/MS, PZ850A  
A-Board (13/20) Schematic Diagram

TH-58PY850M/MR/MS, PZ850A  
A-Board (13/20) Schematic Diagram

109

110

111

112

113

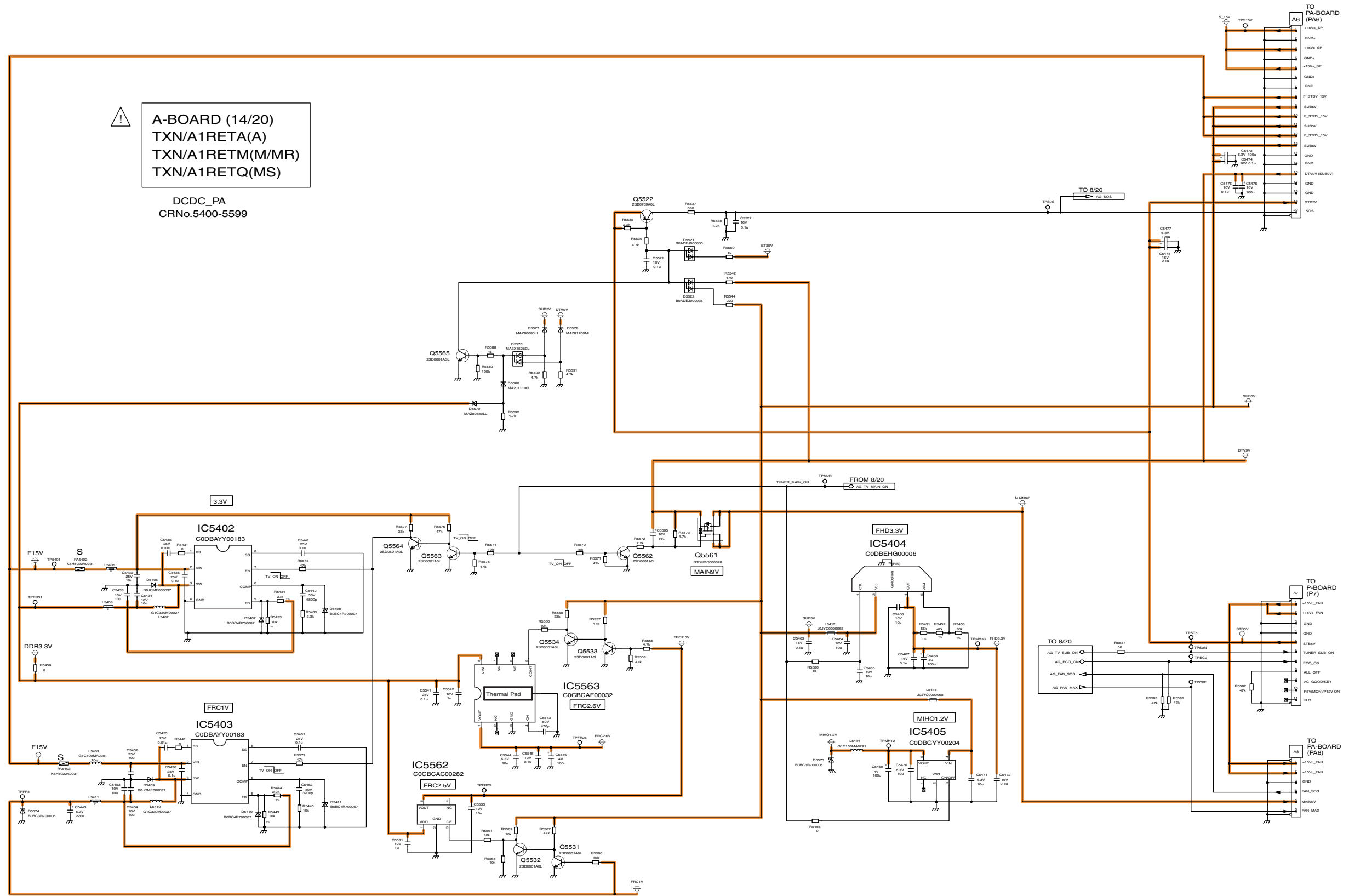
114

115

116

117

# 11.18. A-Board (14/20) Schematic Diagram



TH-58PY850M/MR/MS, PZ850A  
A-Board (14/20) Schematic Diagram

TH-58PY850M/MR/MS, PZ850A  
A-Board (14/20) Schematic Diagram

118

119

120

121

122

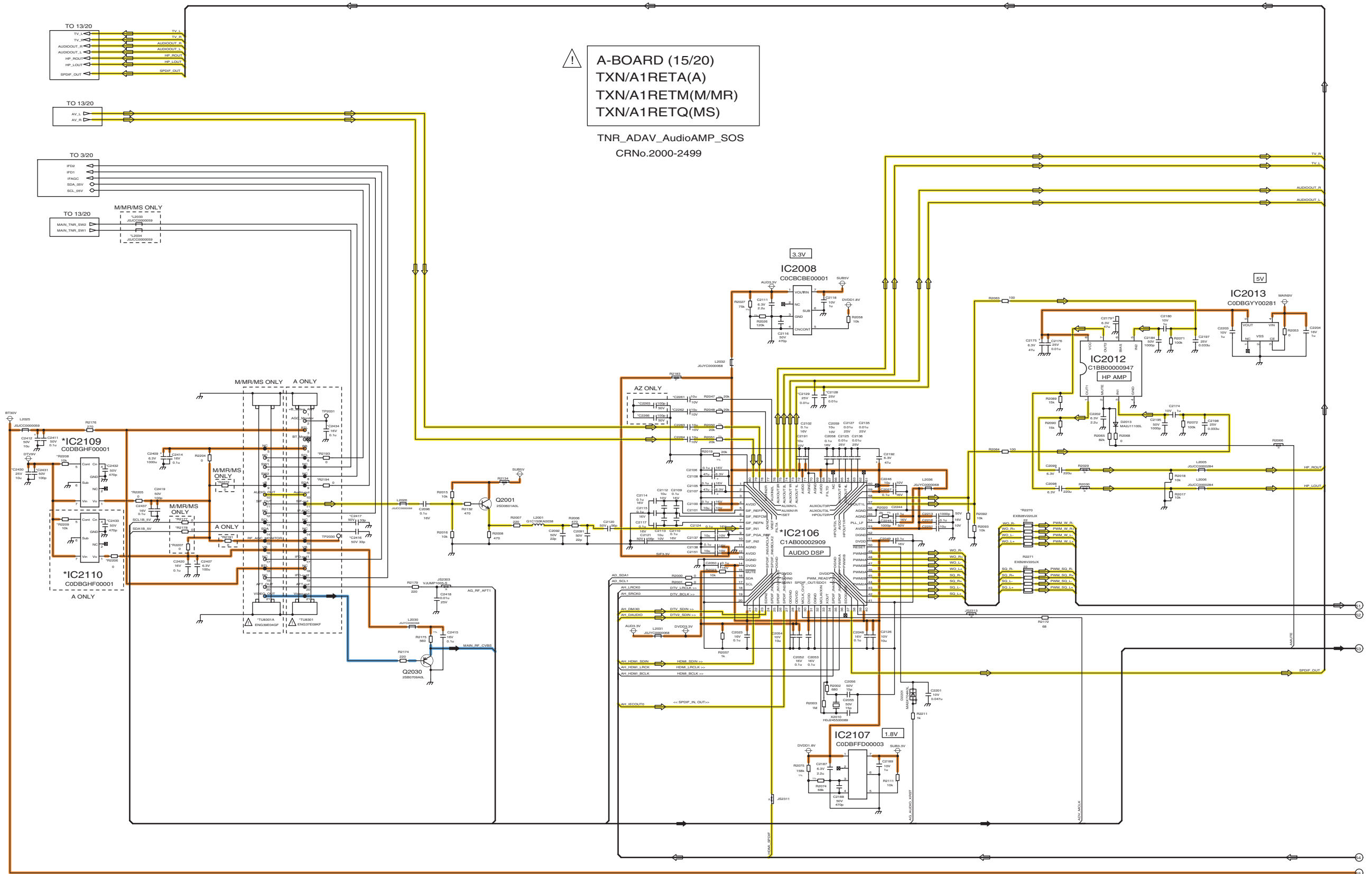
123

124

125

126

# 11.19. A-Board (15/20) Schematic Diagram



⚠ A-BOARD (15/20)  
 TXN/A1RETA(A)  
 TXN/A1RETM(M/MR)  
 TXN/A1RETQ(MS)  
 TNR\_ADVA\_AudioAMP\_SOS  
 CRNo.2000-2499

TH-58PY850M/MR/MS, PZ850A A-Board (15/20) Schematic Diagram

TH-58PY850M/MR/MS, PZ850A A-Board (15/20) Schematic Diagram

127

128

129

130

131

132

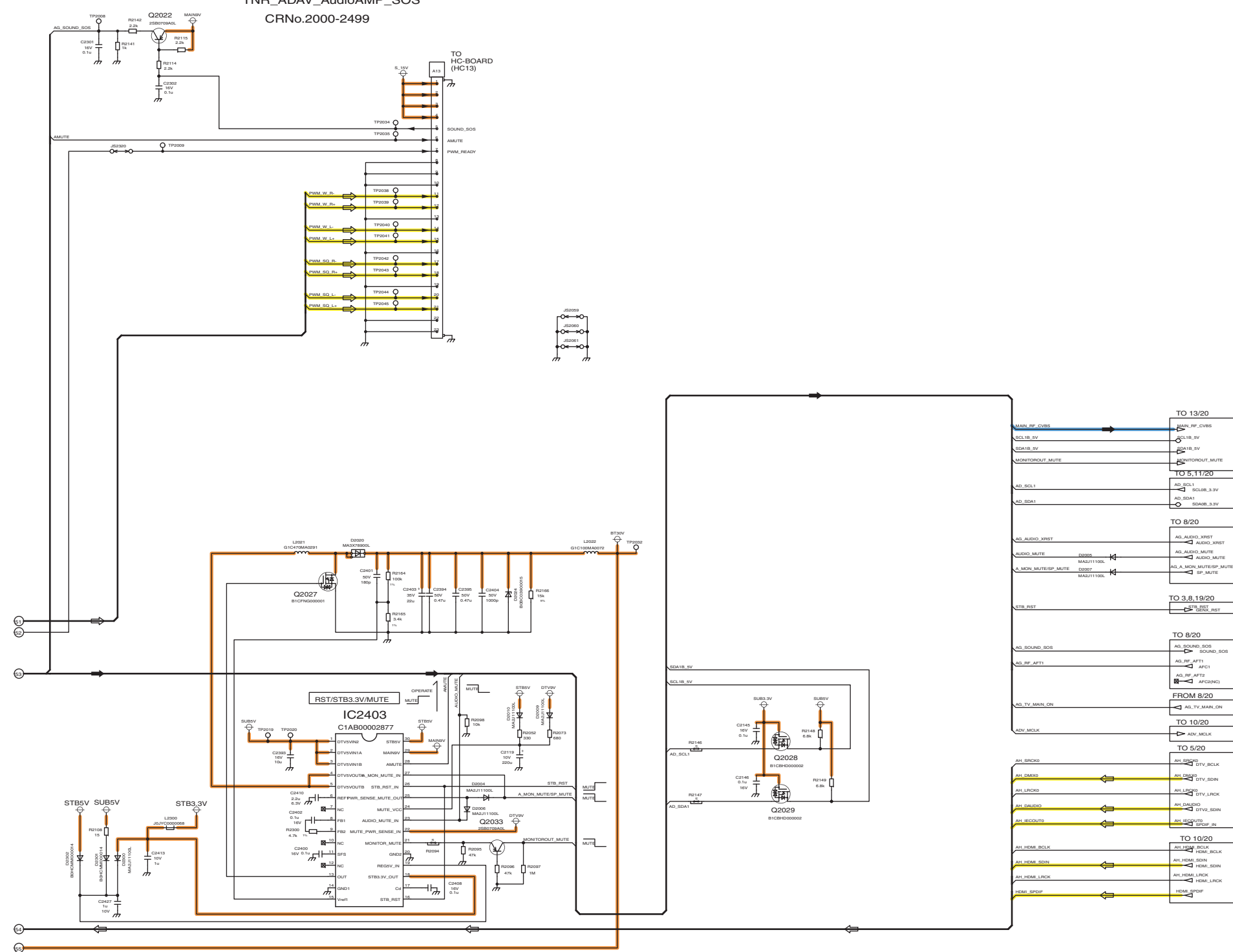
133

134

135

# 11.20. A-Board (16/20) Schematic Diagram

! A-BOARD (16/20)  
 TXN/A1RETA(A)  
 TXN/A1RETM(M/MR)  
 TXN/A1RETQ(MS)  
 TNR\_ADAV\_AudioAMP\_SOS  
 CRNo.2000-2499



TH-58PY850M/MR/MS, PZ850A A-Board (16/20) Schematic Diagram

TH-58PY850M/MR/MS, PZ850A A-Board (16/20) Schematic Diagram

136

137

138

139

140

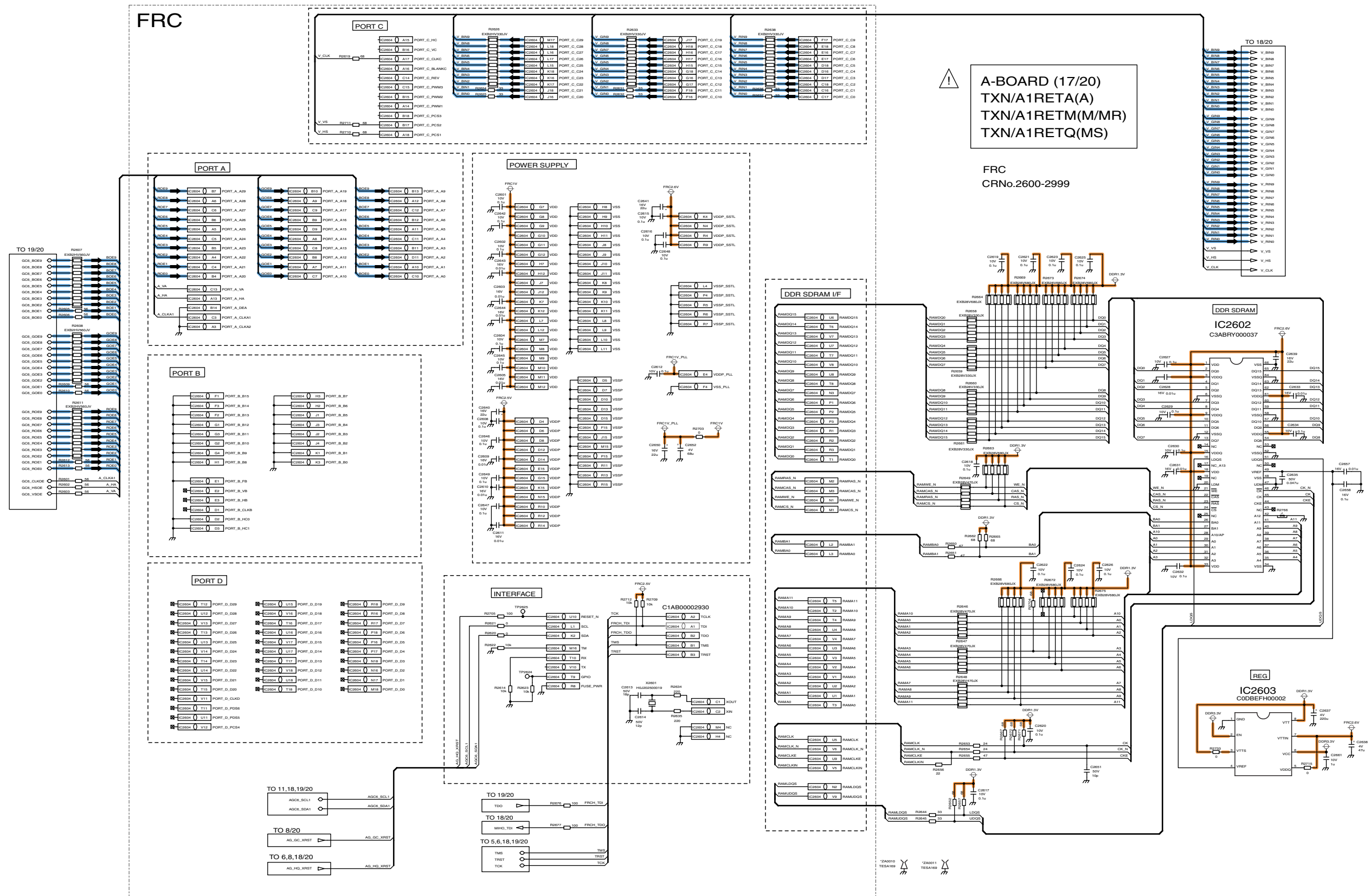
141

142

143

144

# 11.21. A-Board (17/20) Schematic Diagram



TH-58PY850M/MR/MS, PZ850A A-Board (17/20) Schematic Diagram

TH-58PY850M/MR/MS, PZ850A A-Board (17/20) Schematic Diagram

145

146

147

148

149

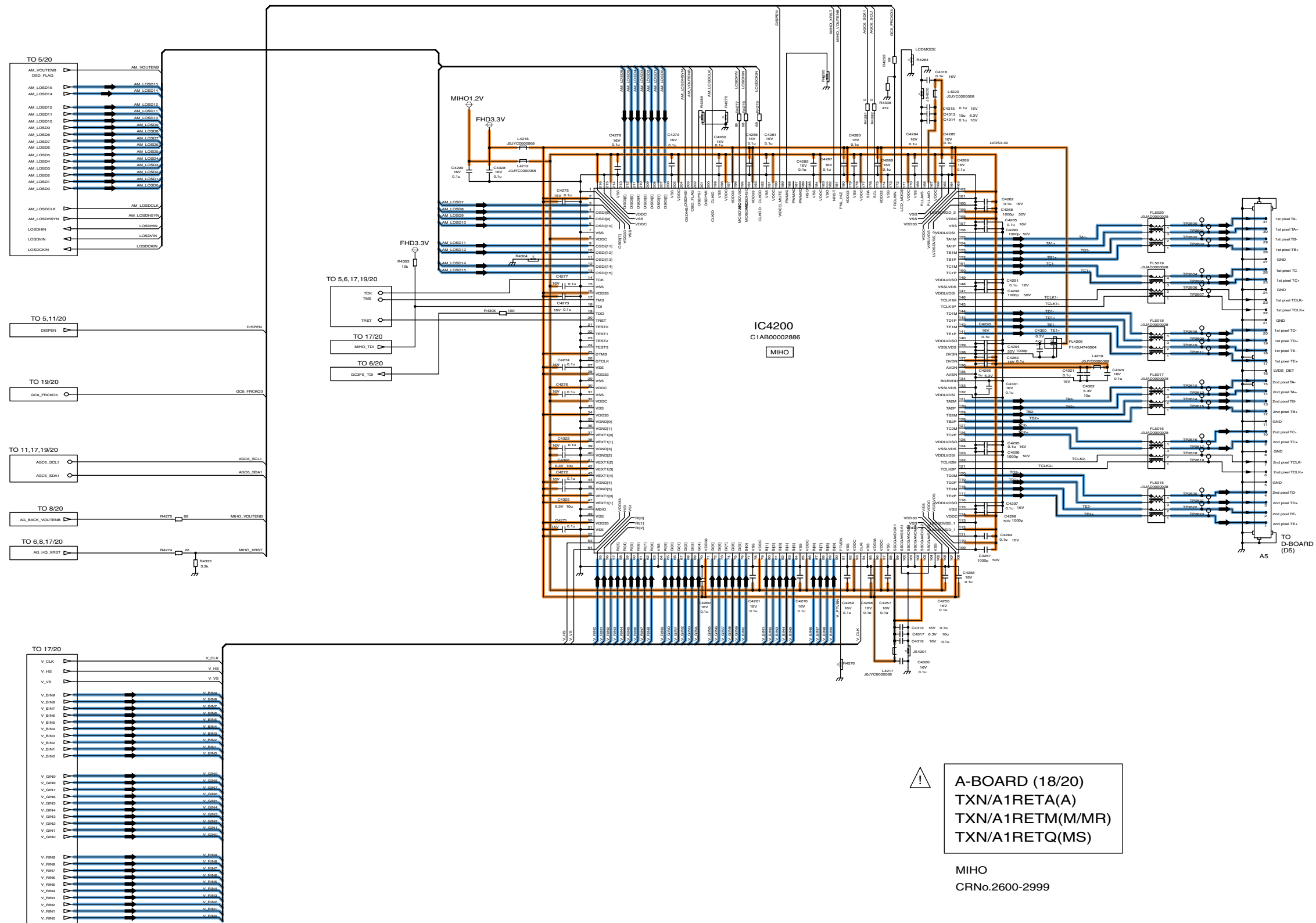
150

151

152

153

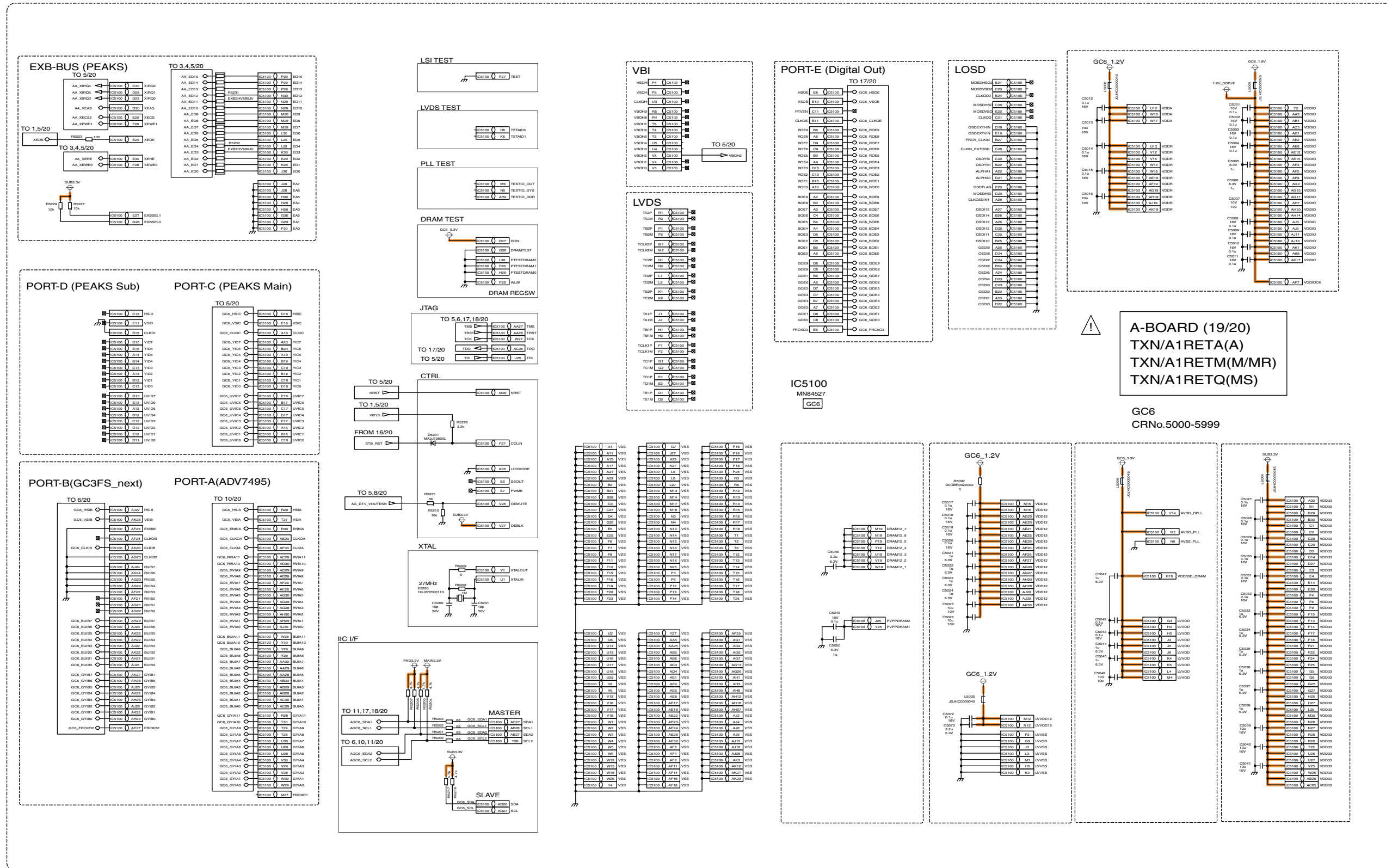
# 11.22. A-Board (18/20) Schematic Diagram



TH-58PY850M/MR/MS, PZ850A  
 A-Board (18/20) Schematic Diagram

TH-58PY850M/MR/MS, PZ850A  
 A-Board (18/20) Schematic Diagram

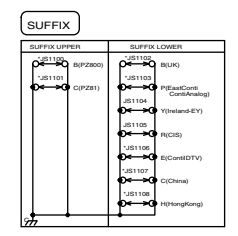
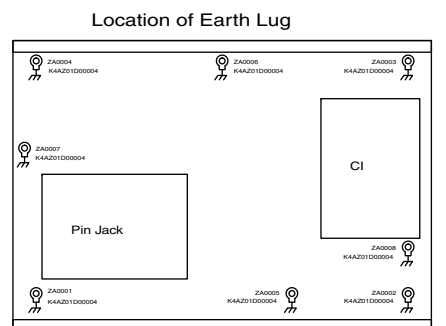
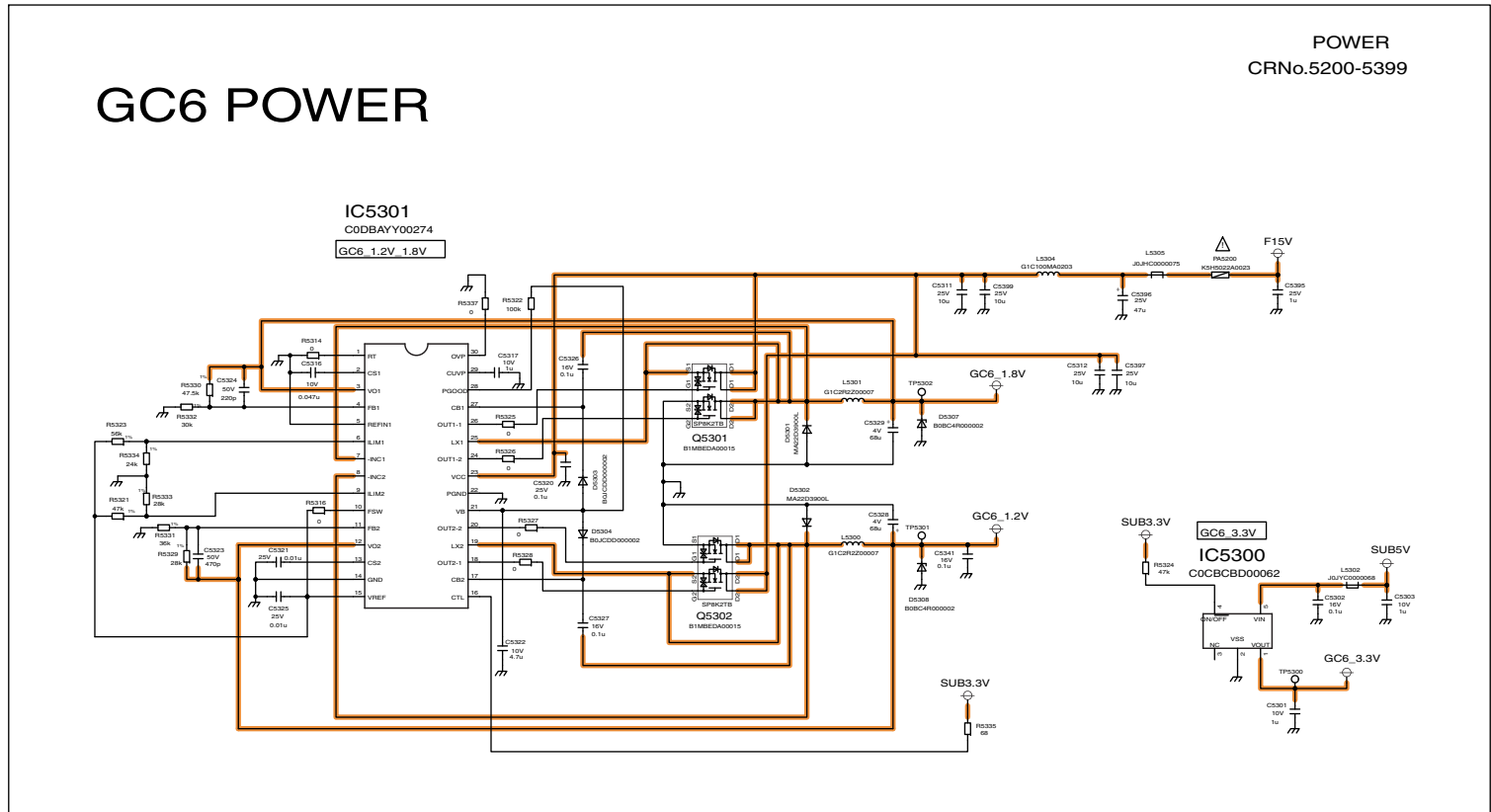
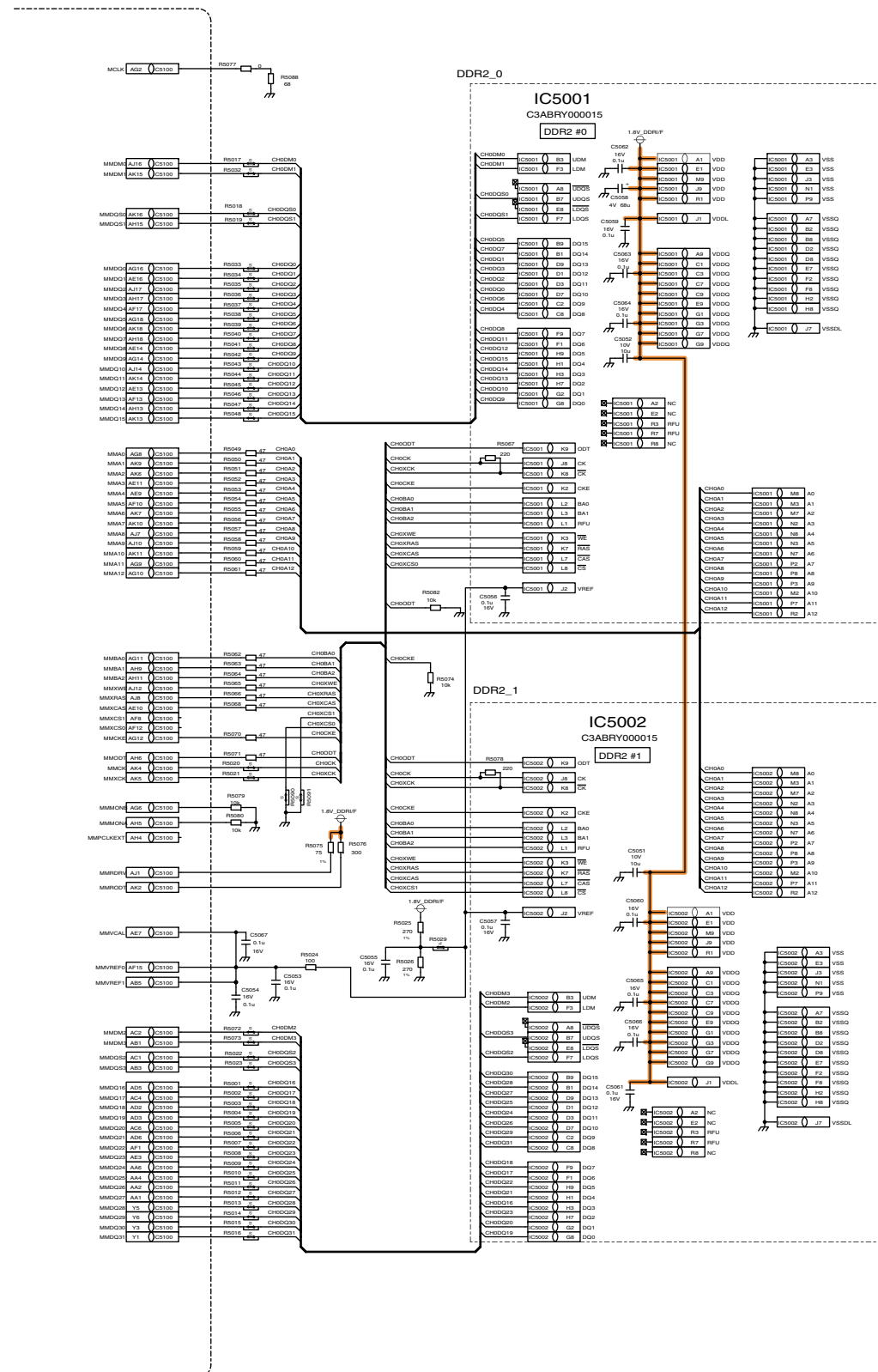
# 11.23. A-Board (19/20) Schematic Diagram



TH-58PY850M/MR/MS, PZ850A  
A-Board (19/20) Schematic Diagram

TH-58PY850M/MR/MS, PZ850A  
A-Board (19/20) Schematic Diagram

# 11.24. A-Board (20/20) Schematic Diagram



**A-BOARD (20/20)**  
**TXN/A1RETA(A)**  
**TXN/A1RETM(M/MR)**  
**TXN/A1RETQ(MS)**

GC6  
 CRNo.5000-5999

TH-58PY850M/MR/MS, PZ850A  
 A-Board (20/20) Schematic Diagram

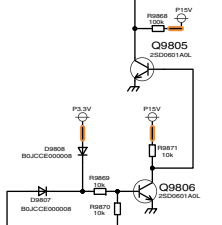
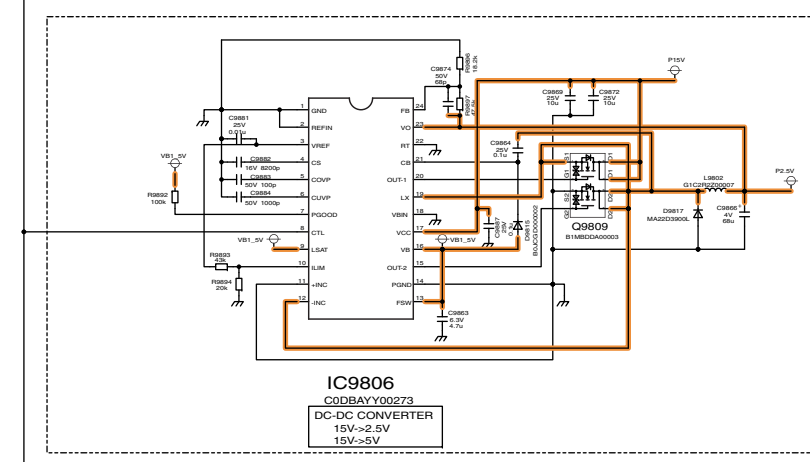
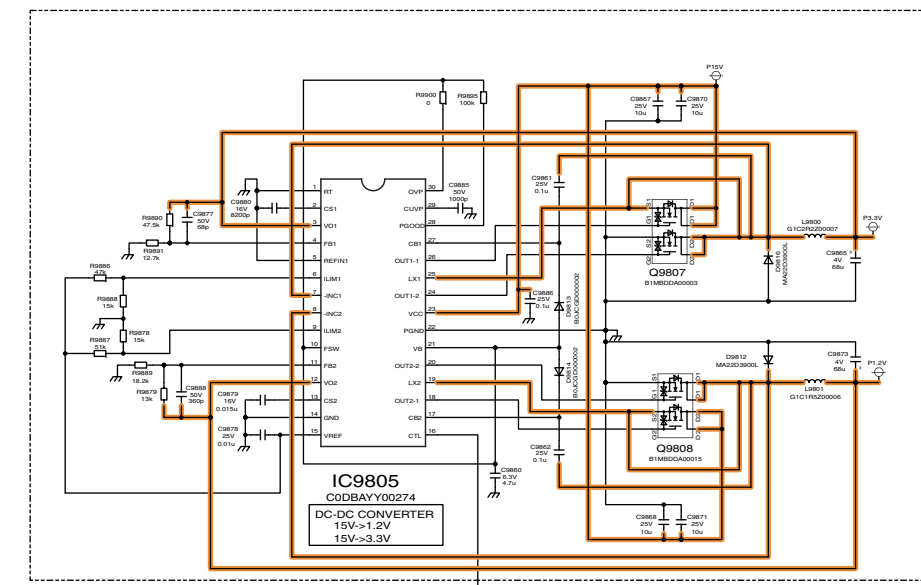
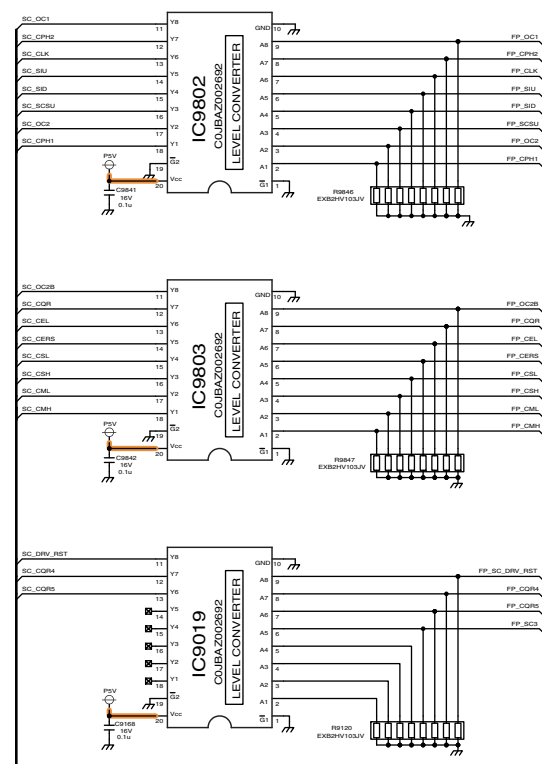
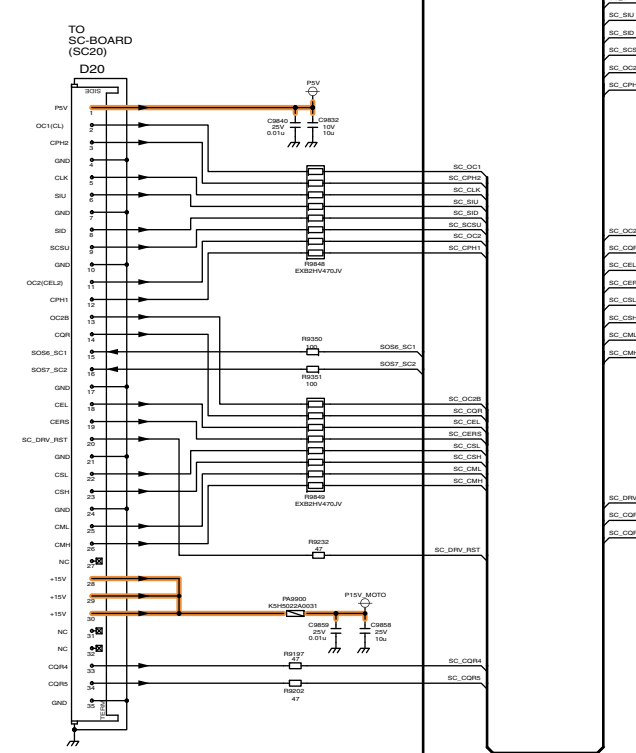
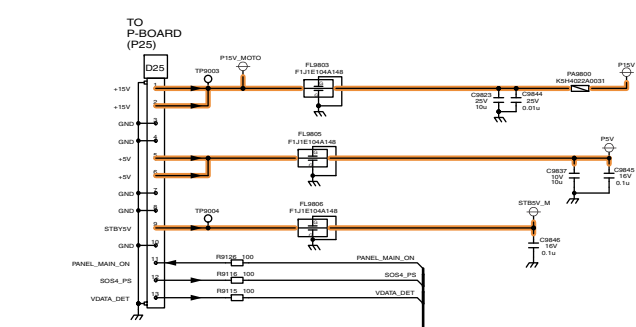
TH-58PY850M/MR/MS, PZ850A  
 A-Board (20/20) Schematic Diagram



# 11.25. D-Board (1/6) Schematic Diagram

A  
B  
C  
D  
E  
F

D-BOARD TZTNP01RETM (1/6)

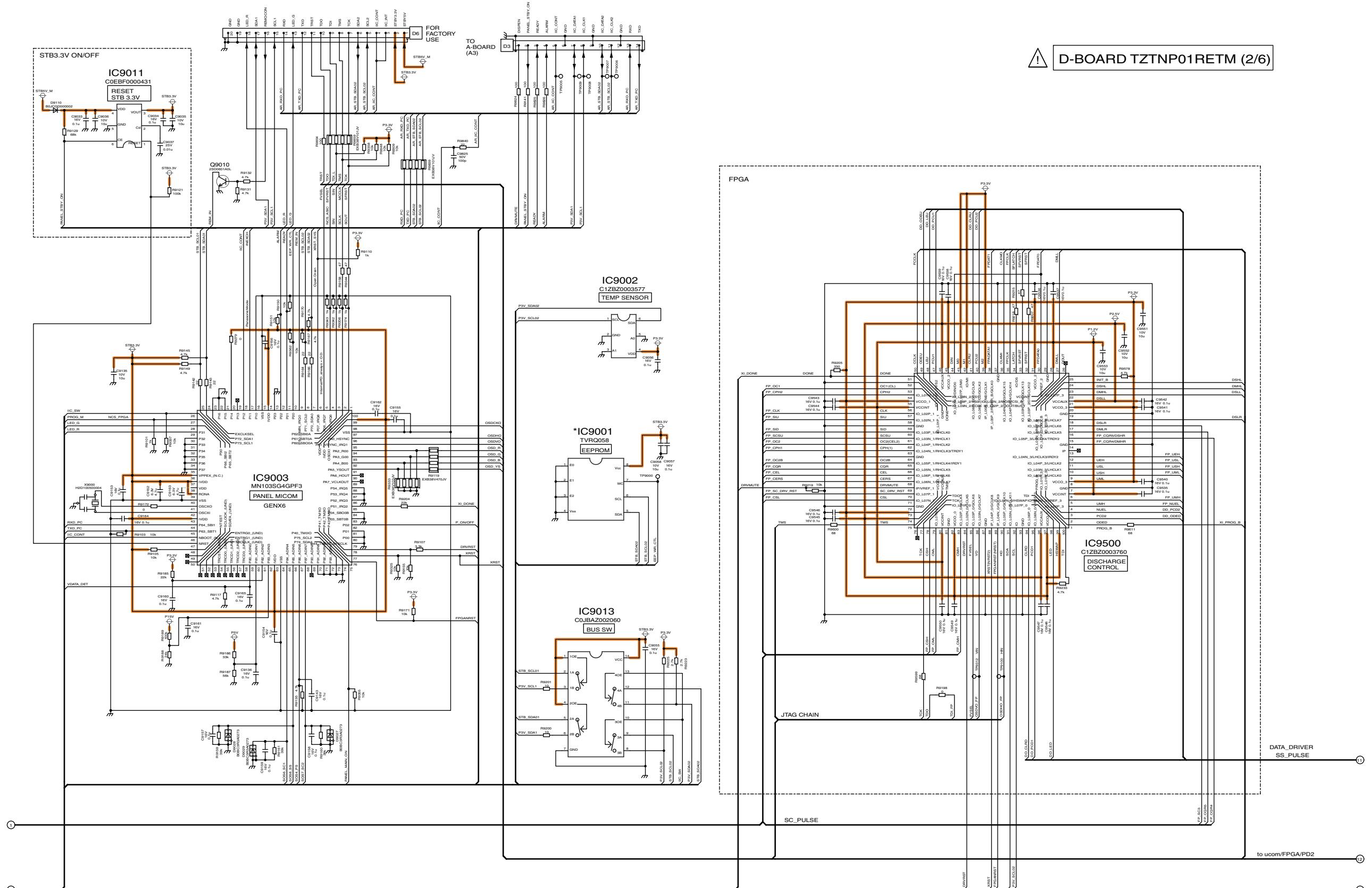


TH-58PY850M/MR/MS, PZ850A  
D-Board (1/6) Schematic Diagram

TH-58PY850M/MR/MS, PZ850A  
D-Board (1/6) Schematic Diagram

1 2 3 4 5 6 7 8 9

# 11.26. D-Board (2/6) Schematic Diagram



⚠ D-BOARD TZTNP01RETM (2/6)

TH-58PY850M/MR/MS, PZ850A  
D-Board (2/6) Schematic Diagram

TH-58PY850M/MR/MS, PZ850A  
D-Board (2/6) Schematic Diagram

10

11

12

13

14

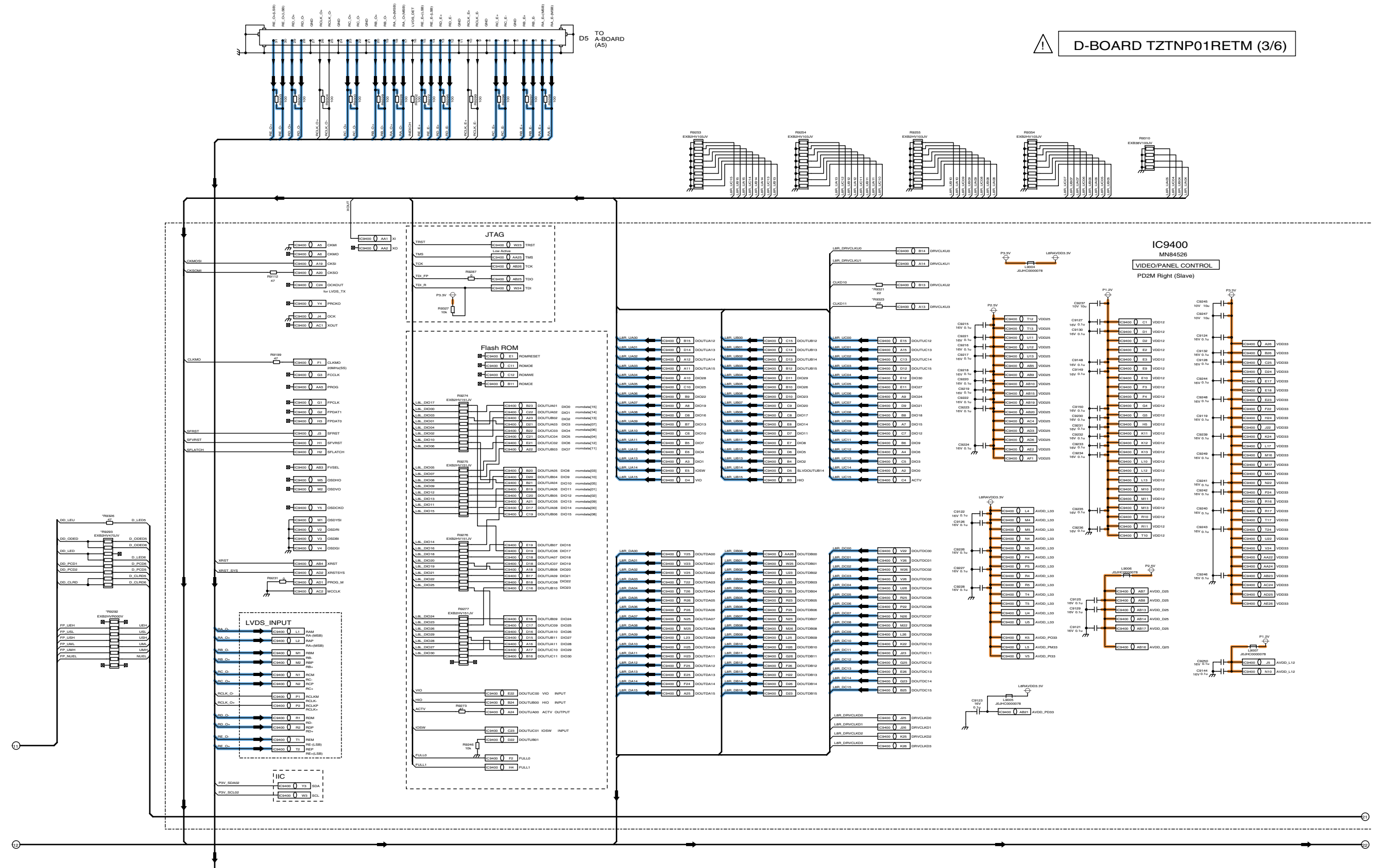
15

16

17

18

# 11.27. D-Board (3/6) Schematic Diagram



TH-58PY850M/MR/MS, PZ850A  
D-Board (3/6) Schematic Diagram

TH-58PY850M/MR/MS, PZ850A  
D-Board (3/6) Schematic Diagram

19

20

21

22

23

24

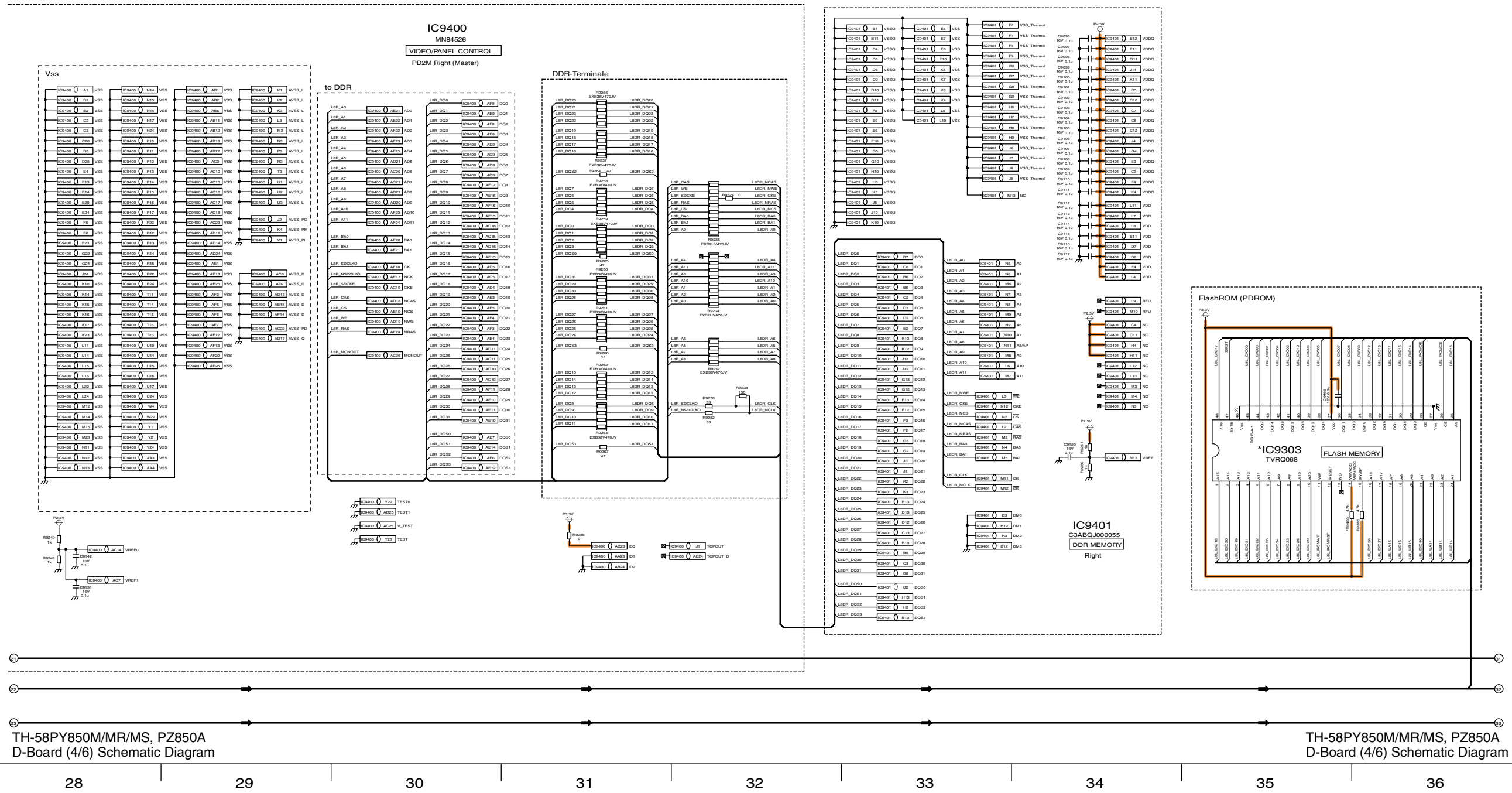
25

26

27

# 11.28. D-Board (4/6) Schematic Diagram

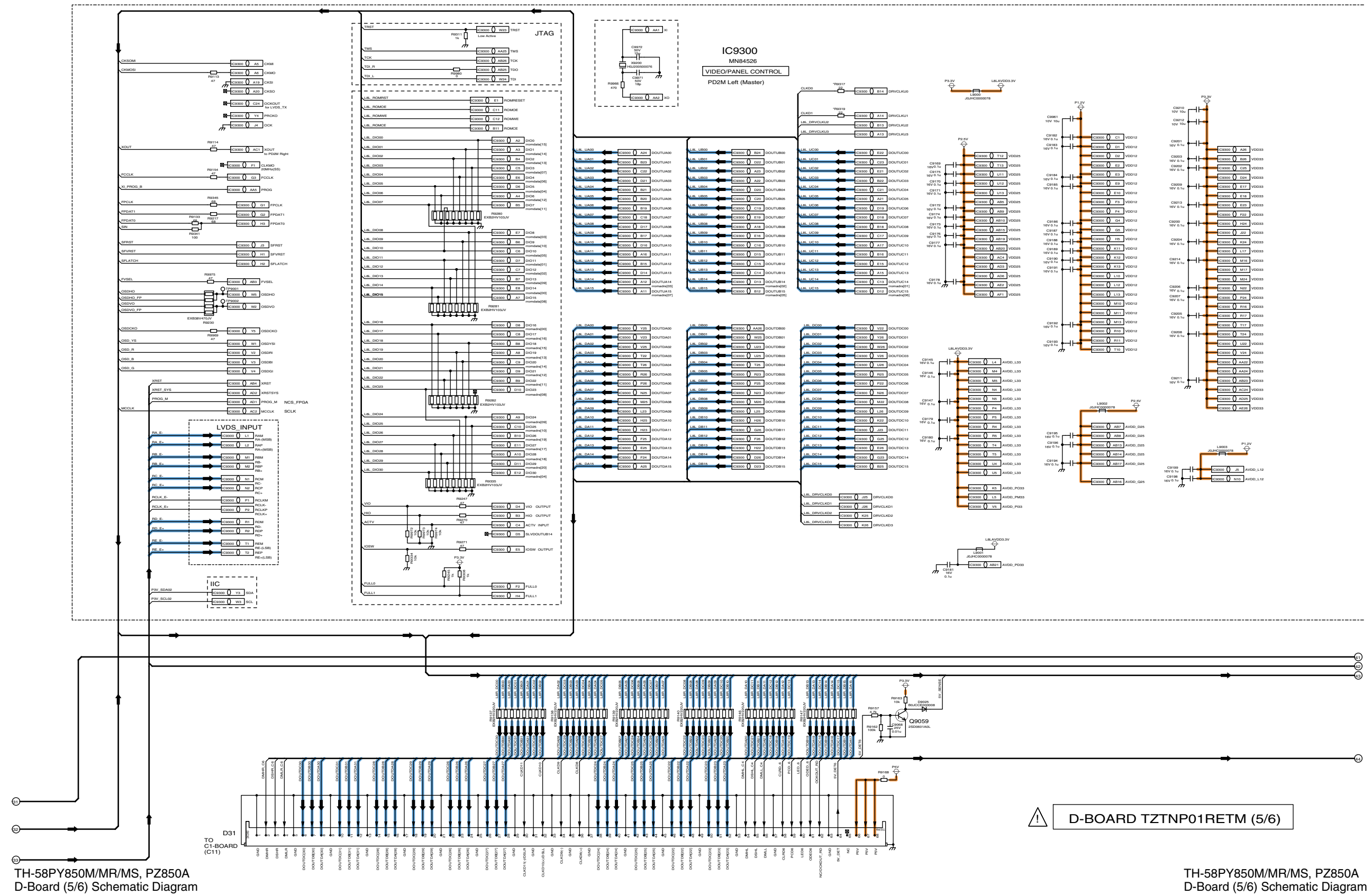
 D-BOARD TZTNP01RETM (4/6)



TH-58PY850M/MR/MS, PZ850A  
D-Board (4/6) Schematic Diagram

TH-58PY850M/MR/MS, PZ850A  
D-Board (4/6) Schematic Diagram

# 11.29. D-Board (5/6) Schematic Diagram

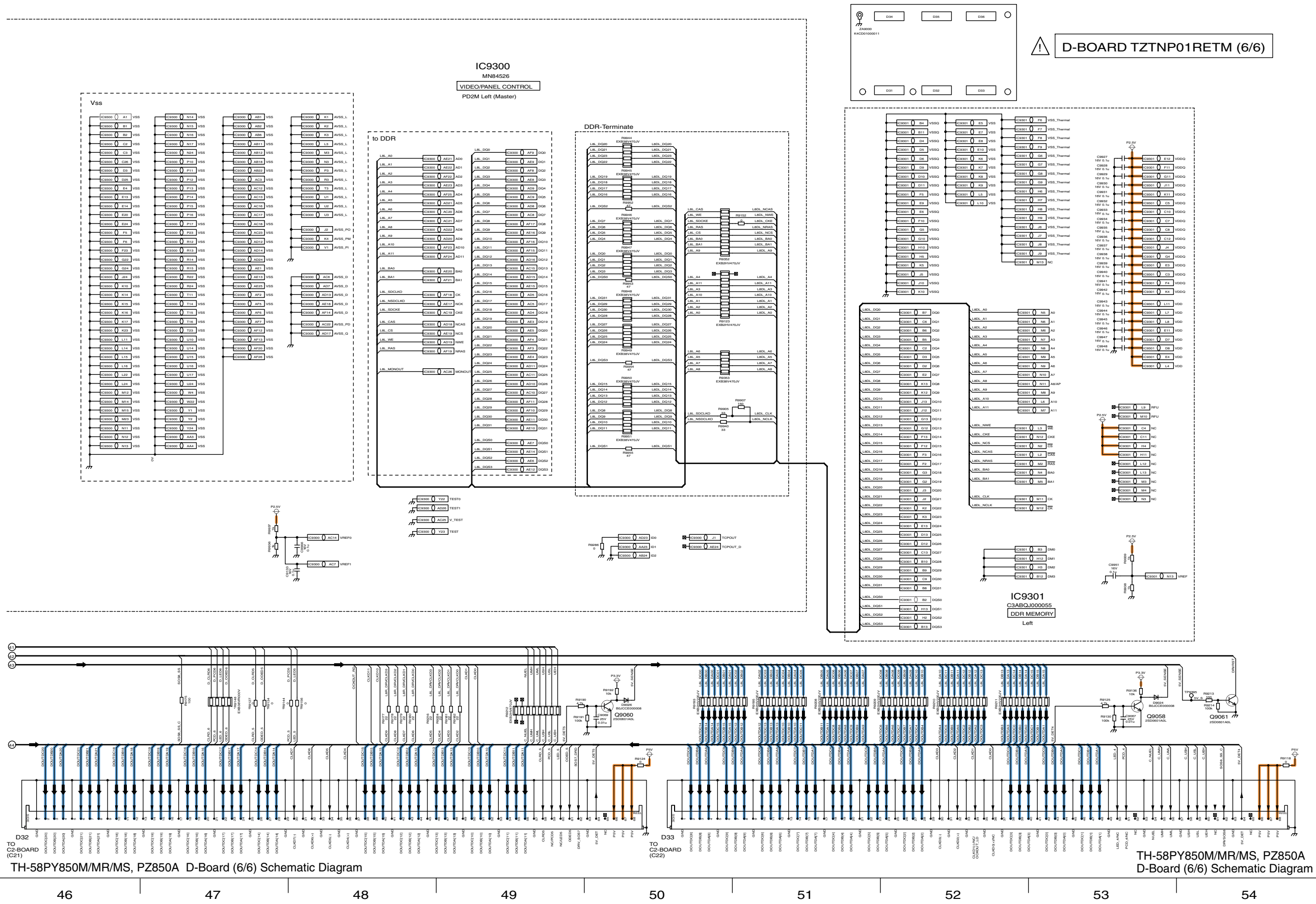


TH-58PY850M/MR/MS, PZ850A  
D-Board (5/6) Schematic Diagram

TH-58PY850M/MR/MS, PZ850A  
D-Board (5/6) Schematic Diagram

D-BOARD TZTNP01RETM (5/6)

# 11.30. D-Board (6/6) Schematic Diagram



TH-58PY850M/MR/MS, PZ850A D-Board (6/6) Schematic Diagram

TH-58PY850M/MR/MS, PZ850A D-Board (6/6) Schematic Diagram

46

47

48

49

50

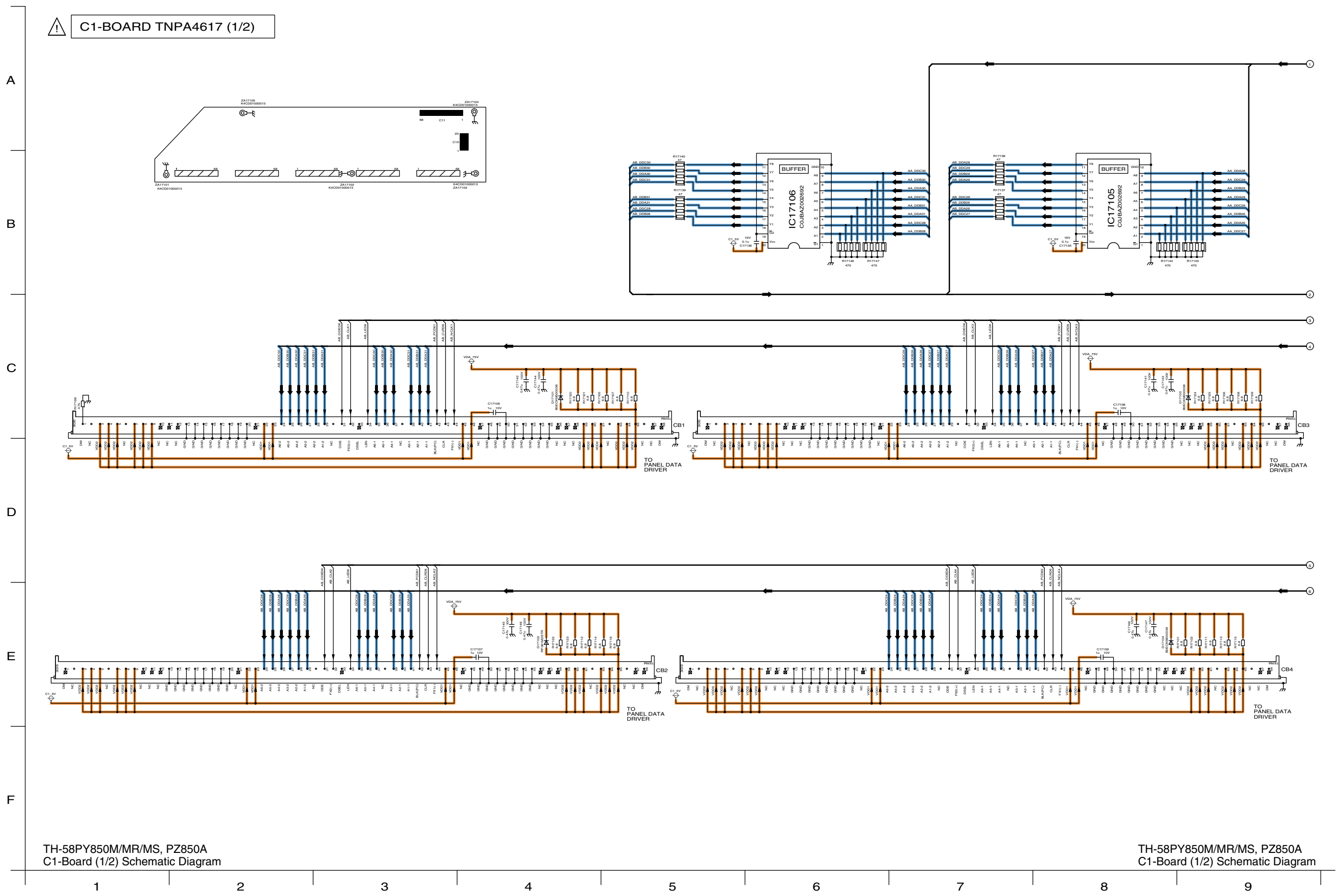
51

52

53

54

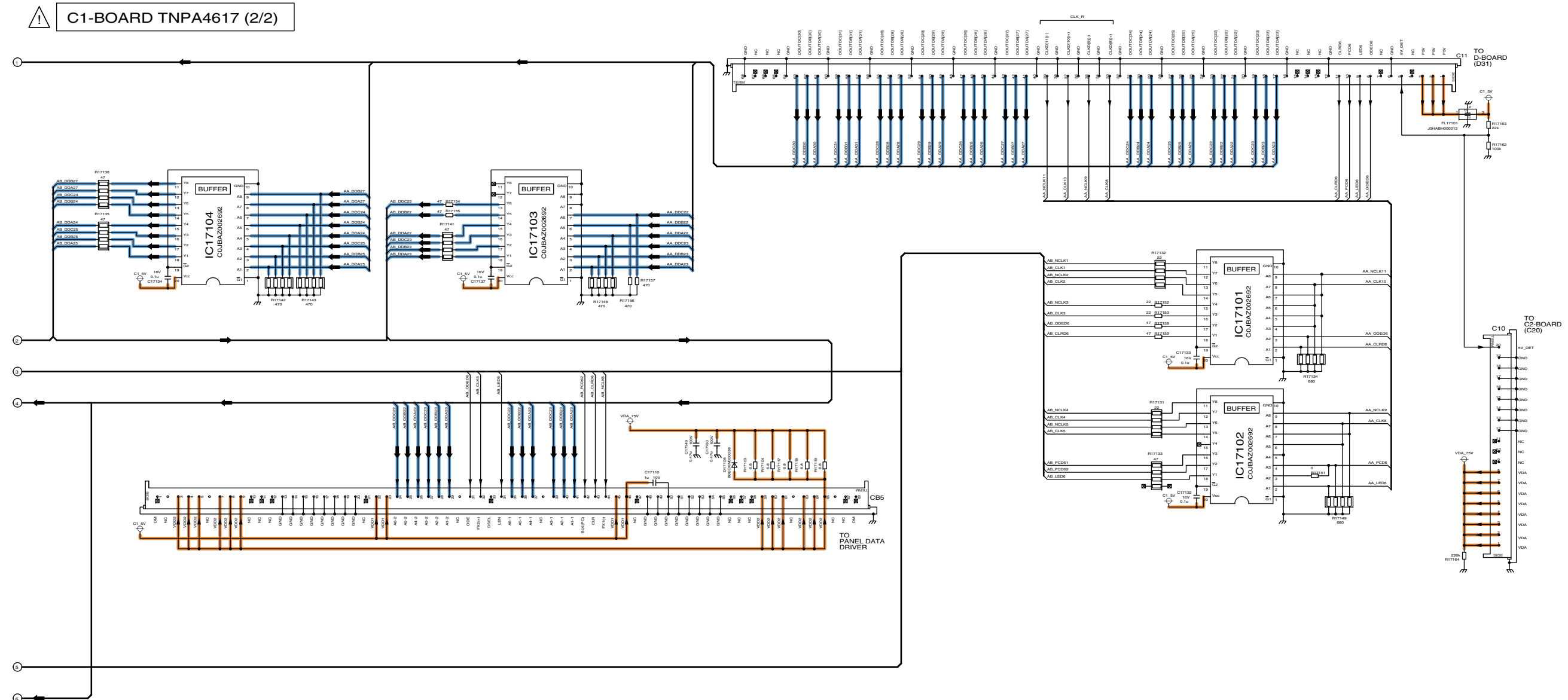
# 11.31. C1-Board (1/2) Schematic Diagram



TH-58PY850M/MR/MS, PZ850A  
C1-Board (1/2) Schematic Diagram

TH-58PY850M/MR/MS, PZ850A  
C1-Board (1/2) Schematic Diagram

# 11.32. C1-Board (2/2) Schematic Diagram



TH-58PY850M/MR/MS, PZ850A  
C1-Board (2/2) Schematic Diagram

TH-58PY850M/MR/MS, PZ850A  
C1-Board (2/2) Schematic Diagram

10

11

12

13

14

15

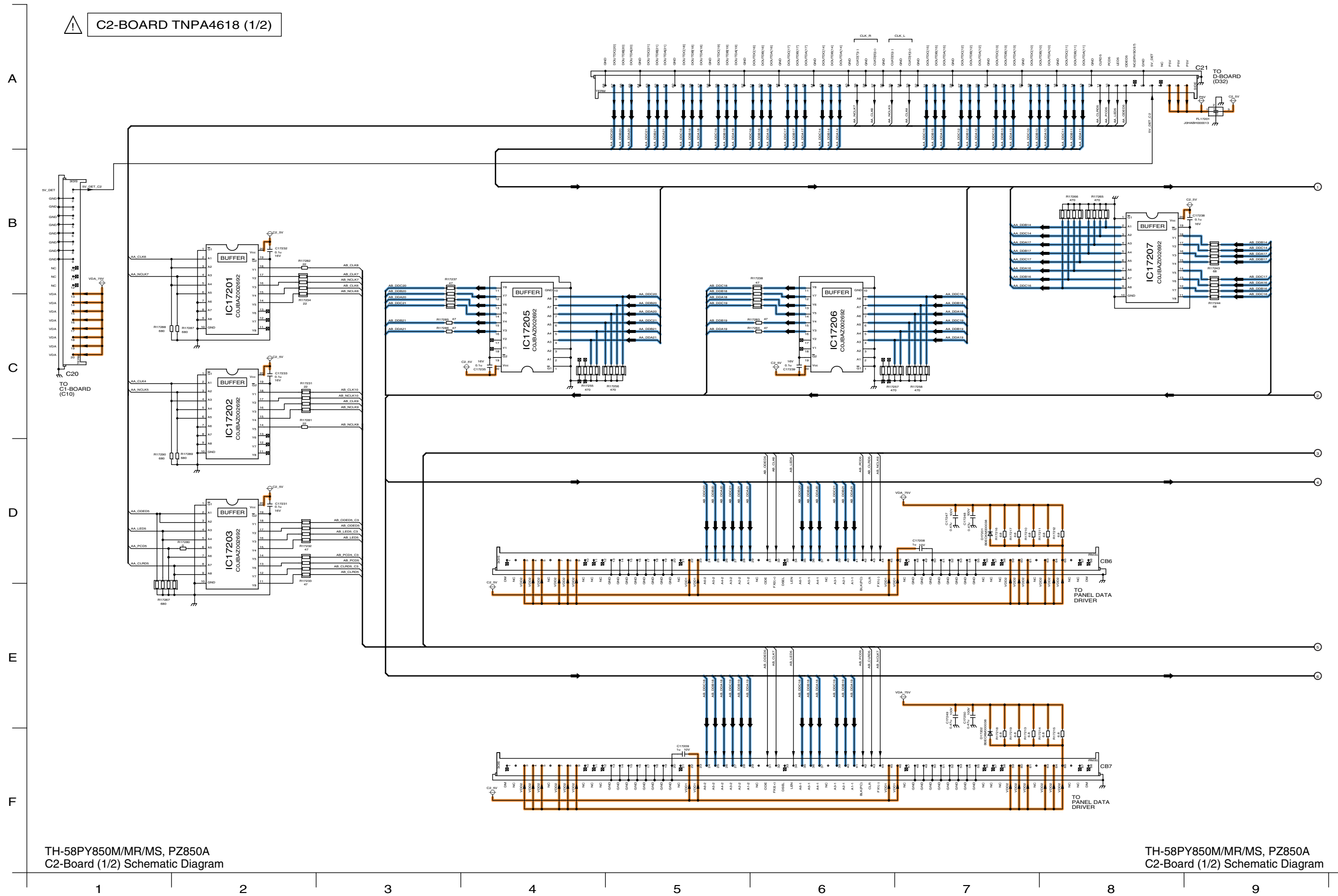
16

17

18



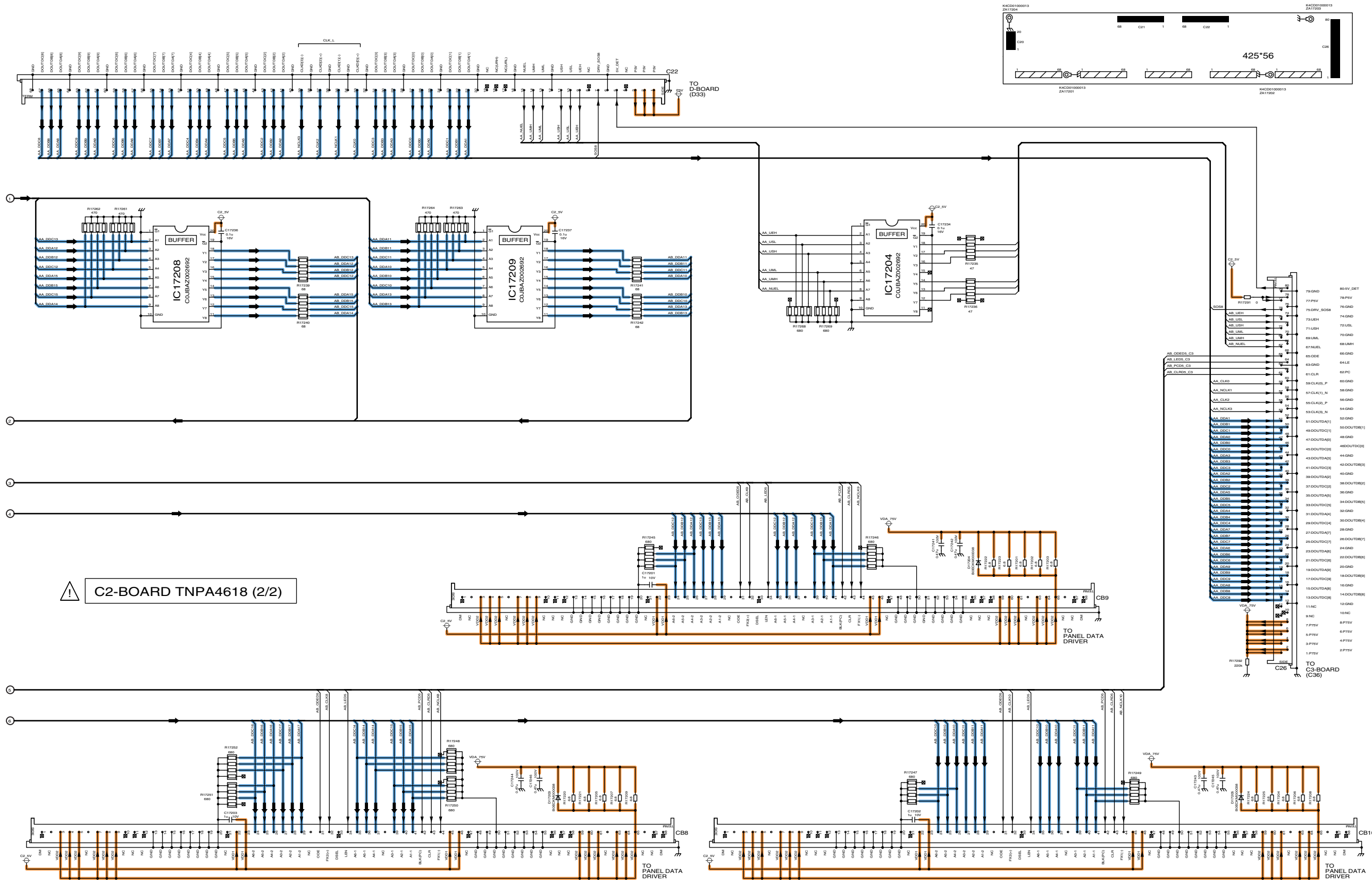
# 11.33. C2-Board (1/2) Schematic Diagram



TH-58PY850M/MR/MS, PZ850A  
C2-Board (1/2) Schematic Diagram

TH-58PY850M/MR/MS, PZ850A  
C2-Board (1/2) Schematic Diagram

# 11.34. C2-Board (2/2) Schematic Diagram



TH-58PY850M/MR/MS, PZ850A  
C2-Board (2/2) Schematic Diagram

TH-58PY850M/MR/MS, PZ850A  
C2-Board (2/2) Schematic Diagram

10

11

12

13

14

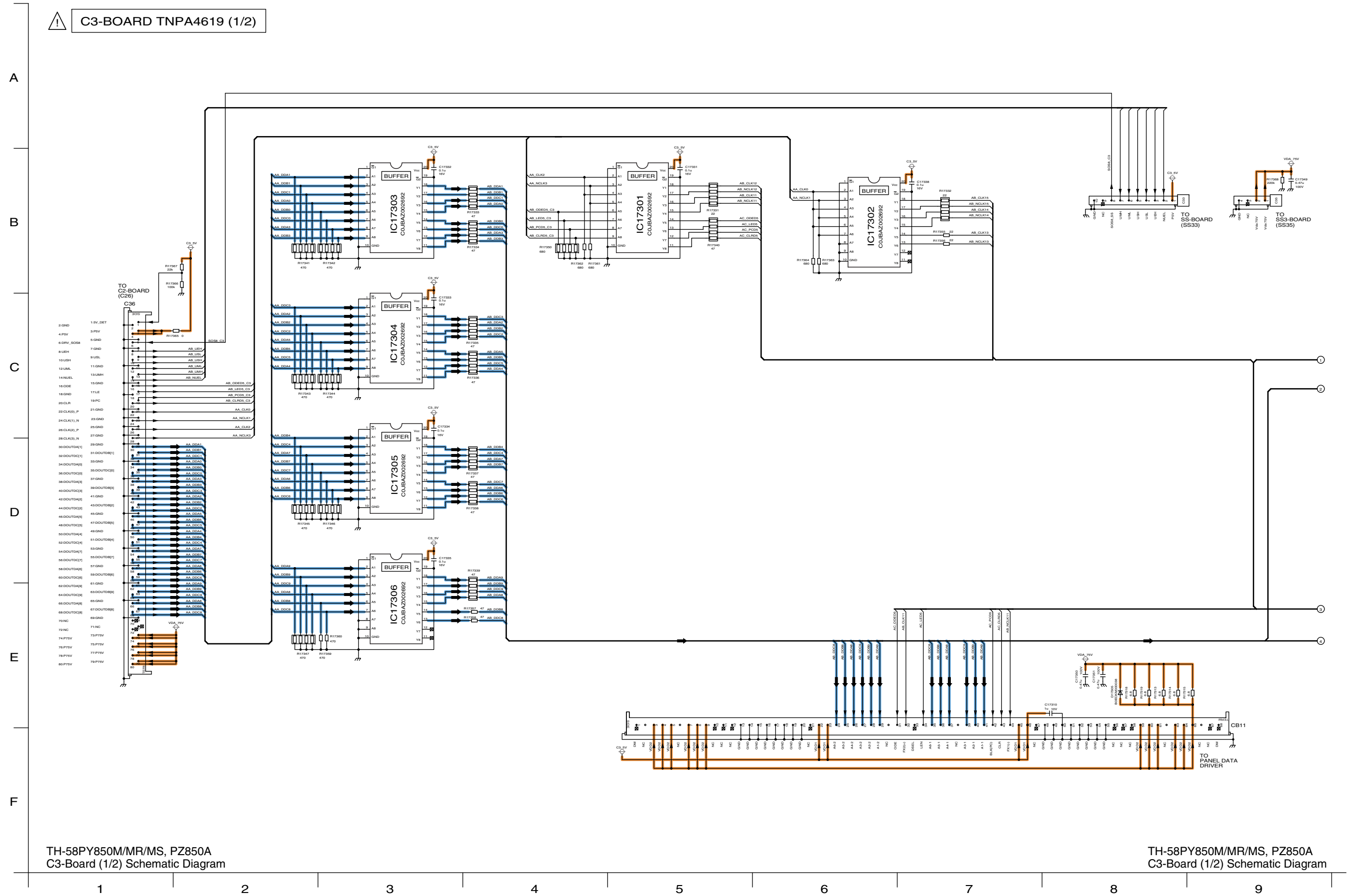
15

16

17

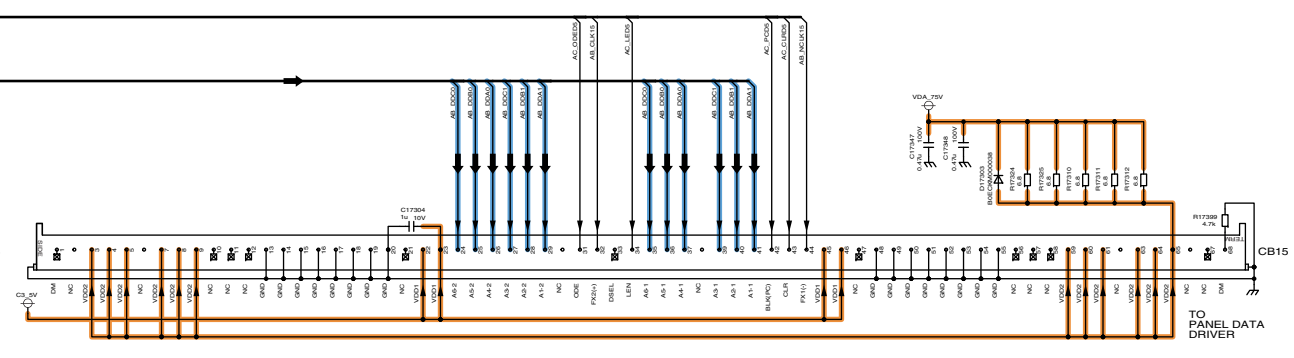
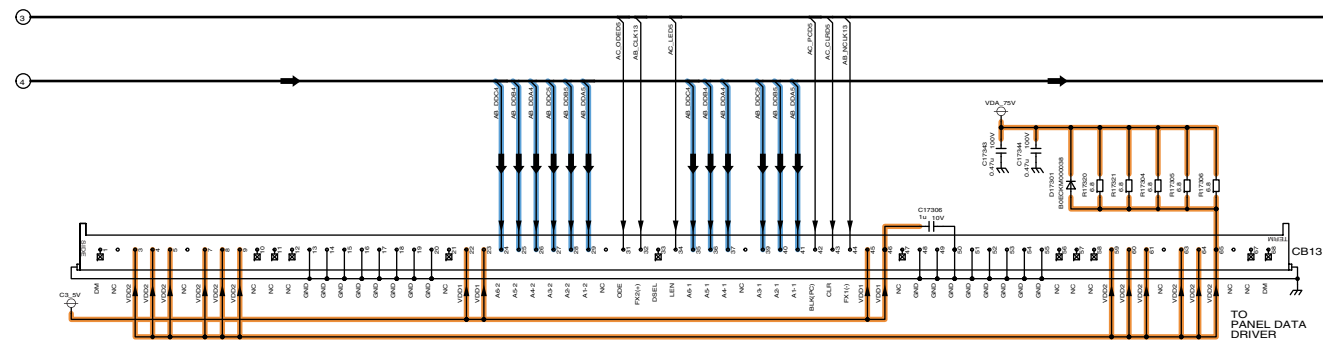
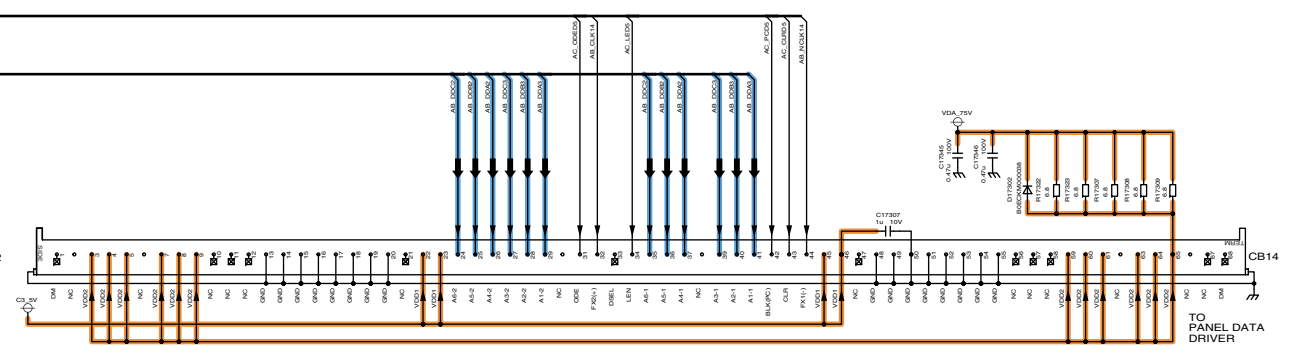
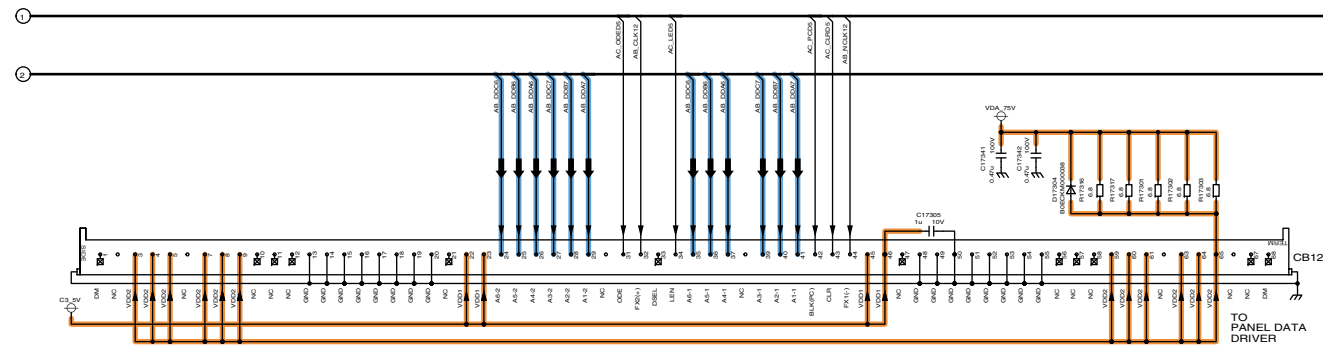
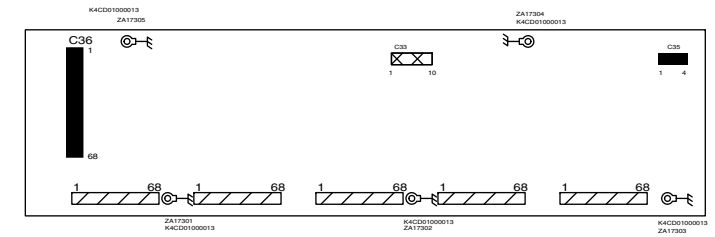
18

# 11.35. C3-Board (1/2) Schematic Diagram



# 11.36. C3-Board (2/2) Schematic Diagram

 C3-BOARD TNPA4619 (2/2)



TH-58PY850M/MR/MS, PZ850A  
C3-Board (2/2) Schematic Diagram

TH-58PY850M/MR/MS, PZ850A  
C3-Board (2/2) Schematic Diagram

10

11

12

13

14

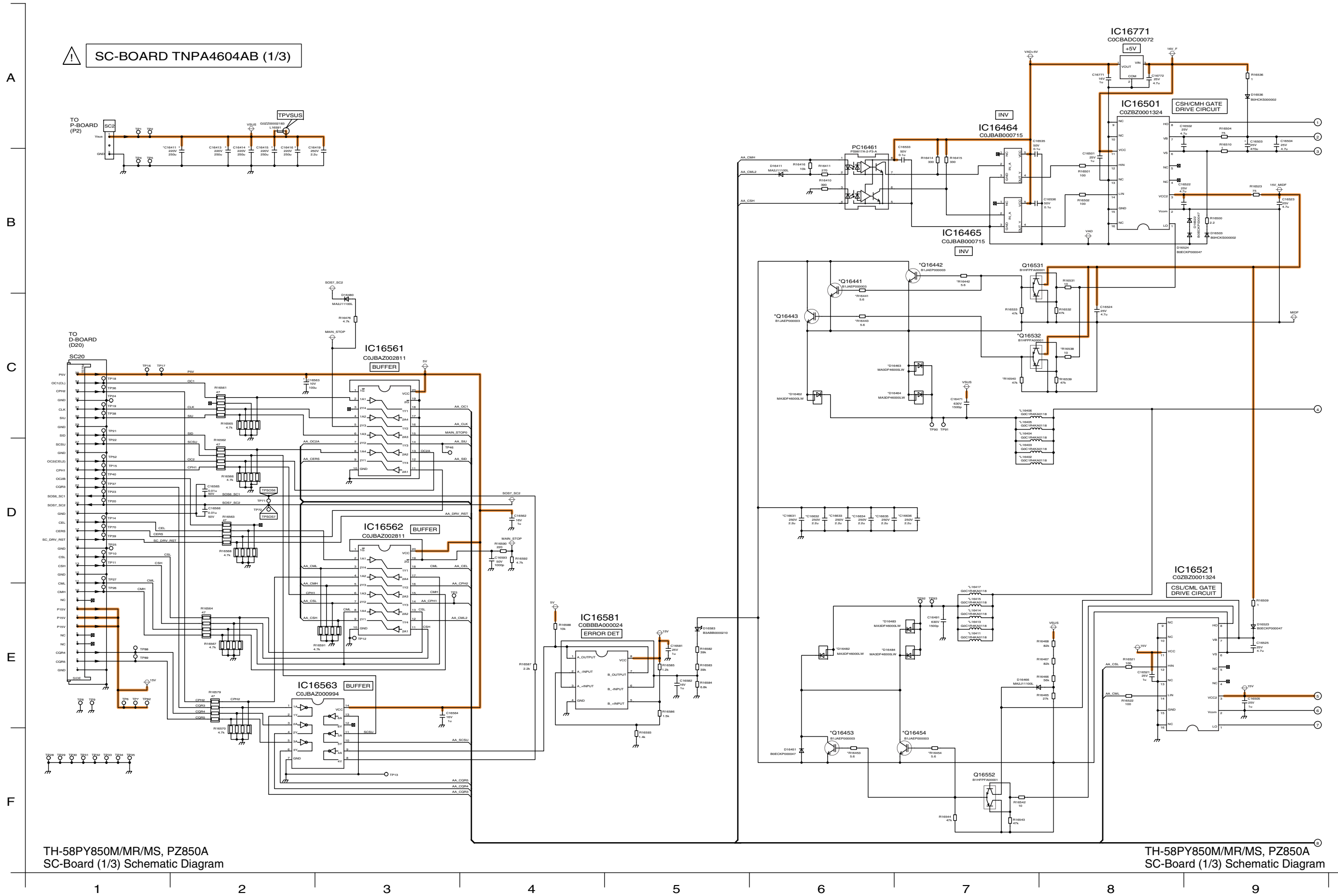
15

16

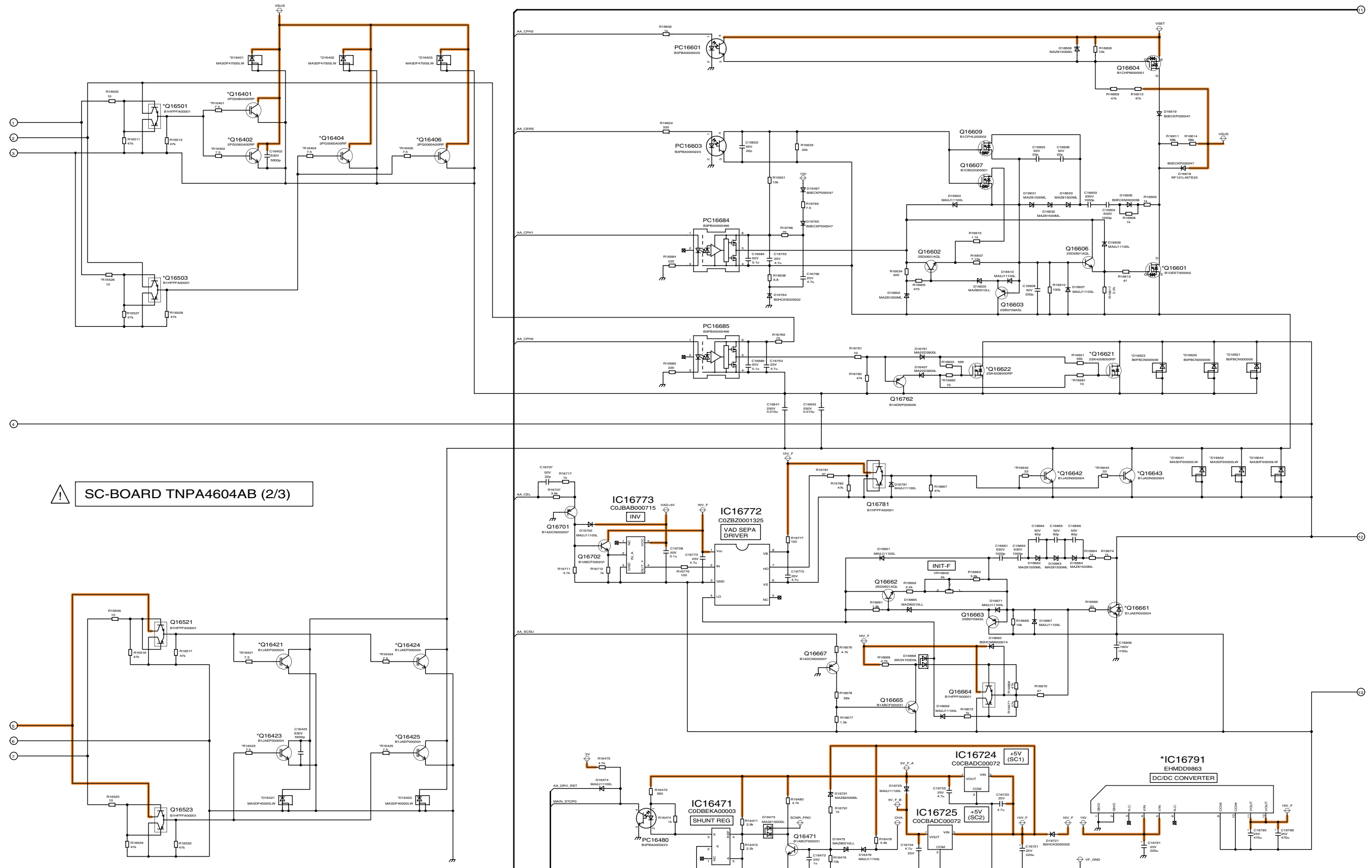
17

18

# 11.37. SC-Board (1/3) Schematic Diagram



# 11.38. SC-Board (2/3) Schematic Diagram



TH-58PY850M/MR/MS, PZ850A  
SC-Board (2/3) Schematic Diagram

TH-58PY850M/MR/MS, PZ850A  
SC-Board (2/3) Schematic Diagram

10

11

12

13

14

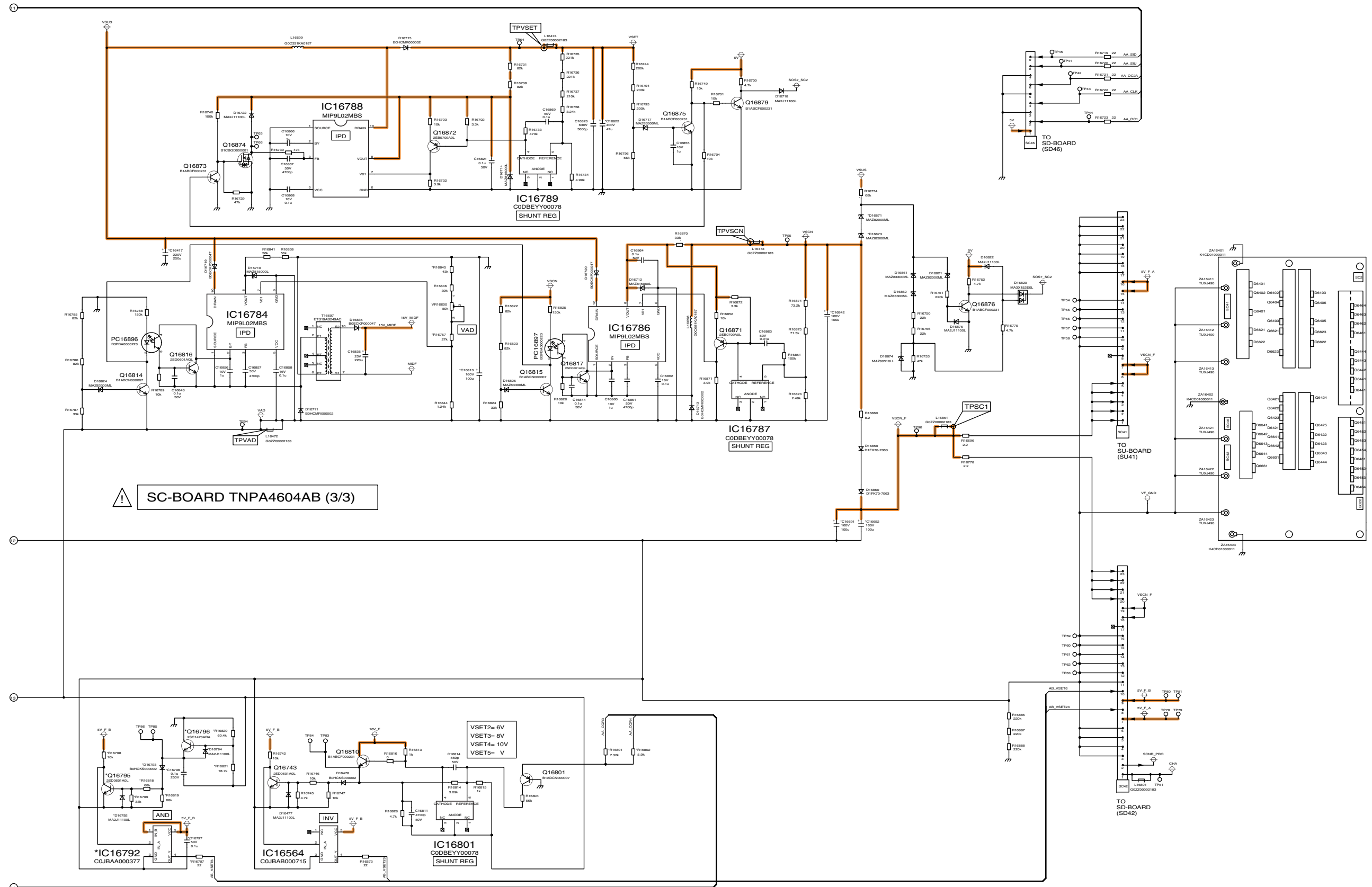
15

16

17

18

# 11.39. SC-Board (3/3) Schematic Diagram



SC-BOARD TNP4604AB (3/3)

TH-58PY850M/MR/MS, PZ850A  
SC-Board (3/3) Schematic Diagram

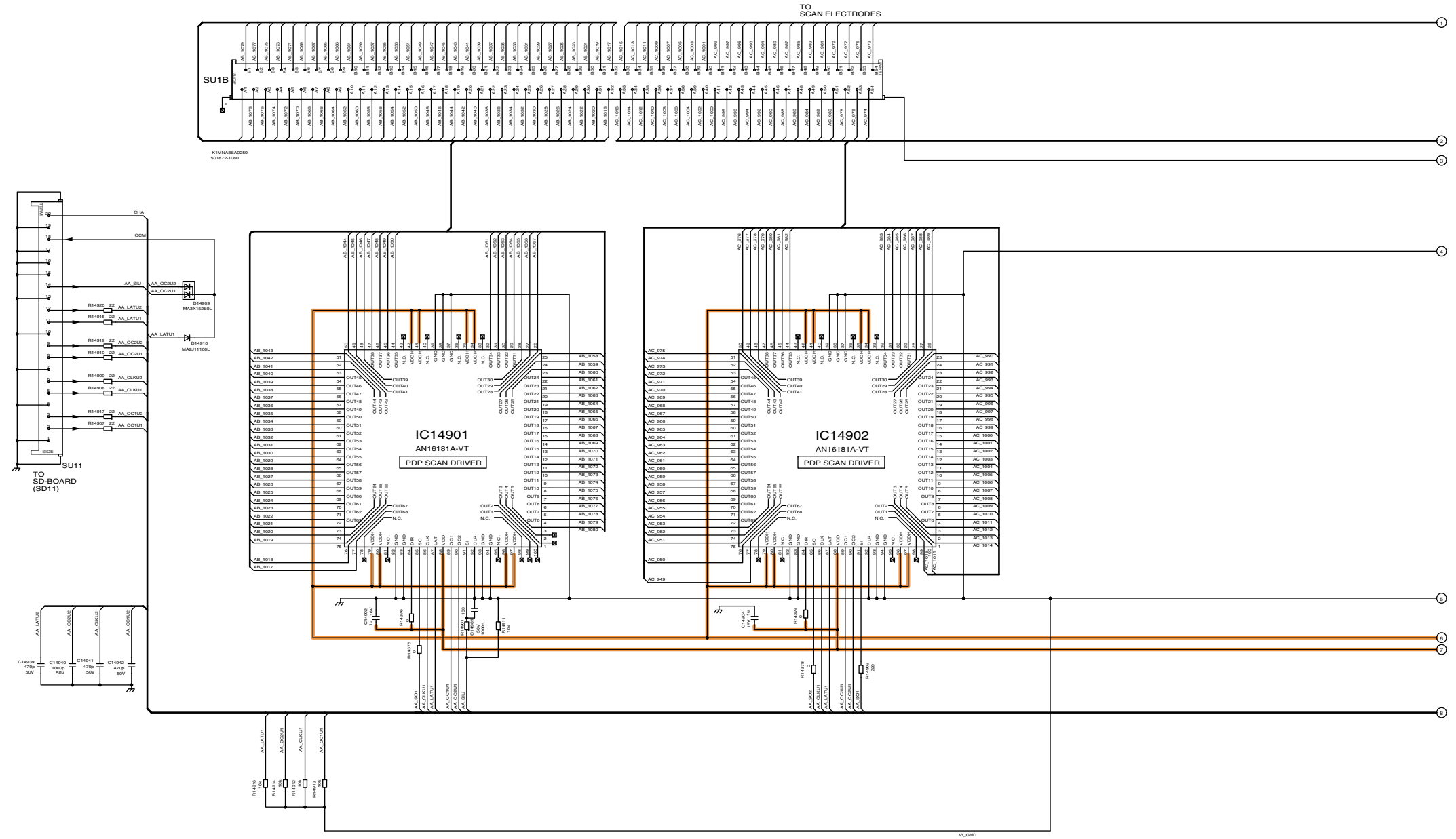
TH-58PY850M/MR/MS, PZ850A  
SC-Board (3/3) Schematic Diagram

19 20 21 22 23 24 25 26 27

# 11.40. SU-Board (1/3) Schematic Diagram

⚠ SU-BOARD TNPA4612 (1/3)

A  
B  
C  
D  
E  
F



TH-58PY850M/MR/MS, PZ850A  
SU-Board (1/3) Schematic Diagram

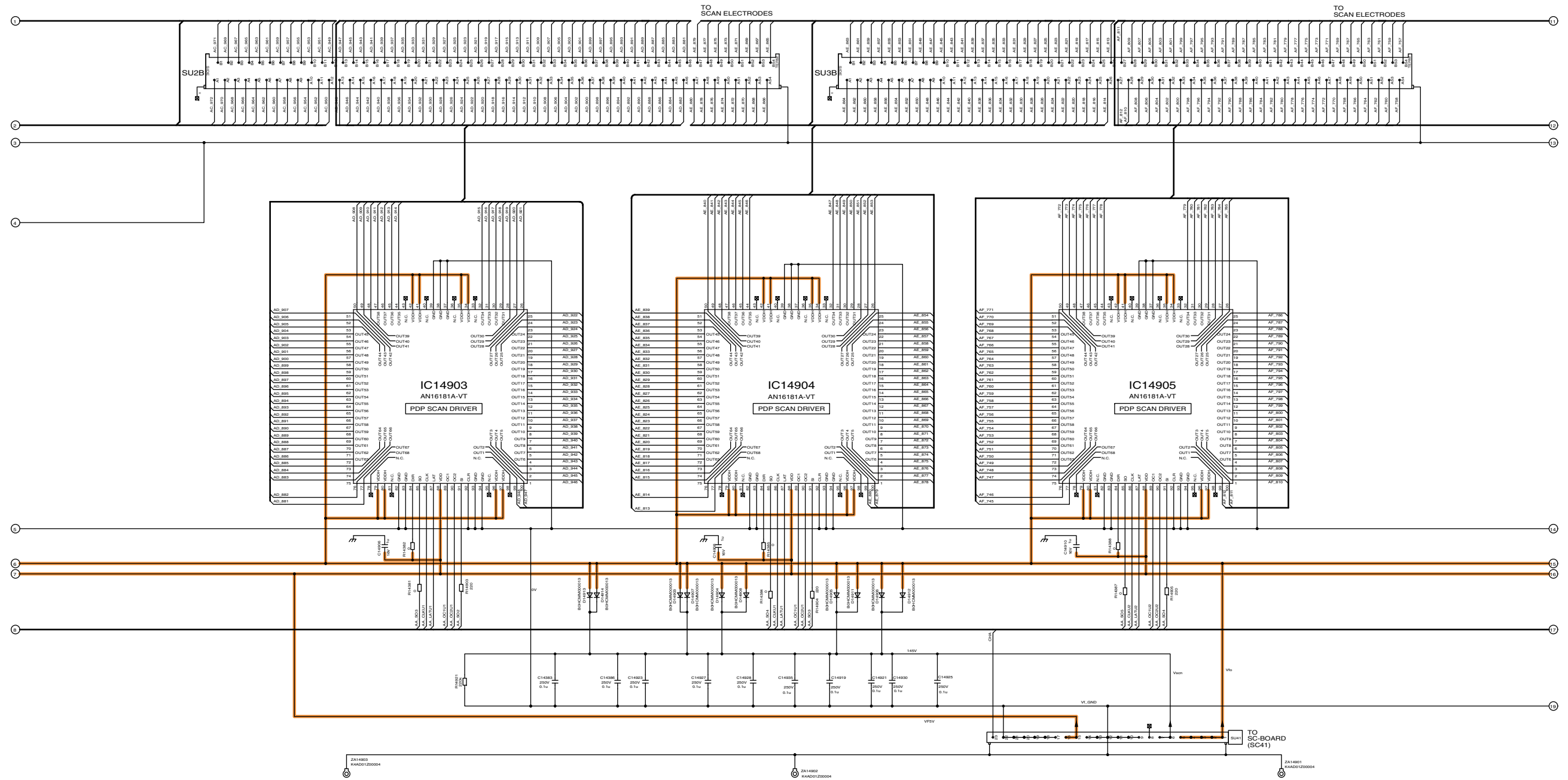
TH-58PY850M/MR/MS, PZ850A  
SU-Board (1/3) Schematic Diagram

1 2 3 4 5 6 7 8 9



# 11.41. SU-Board (2/3) Schematic Diagram

 SU-BOARD TNPA4612 (2/3)



TH-58PY850M/MR/MS, PZ850A  
SU-Board (2/3) Schematic Diagram

TH-58PY850M/MR/MS, PZ850A  
SU-Board (2/3) Schematic Diagram

10

11

12

13

14

15

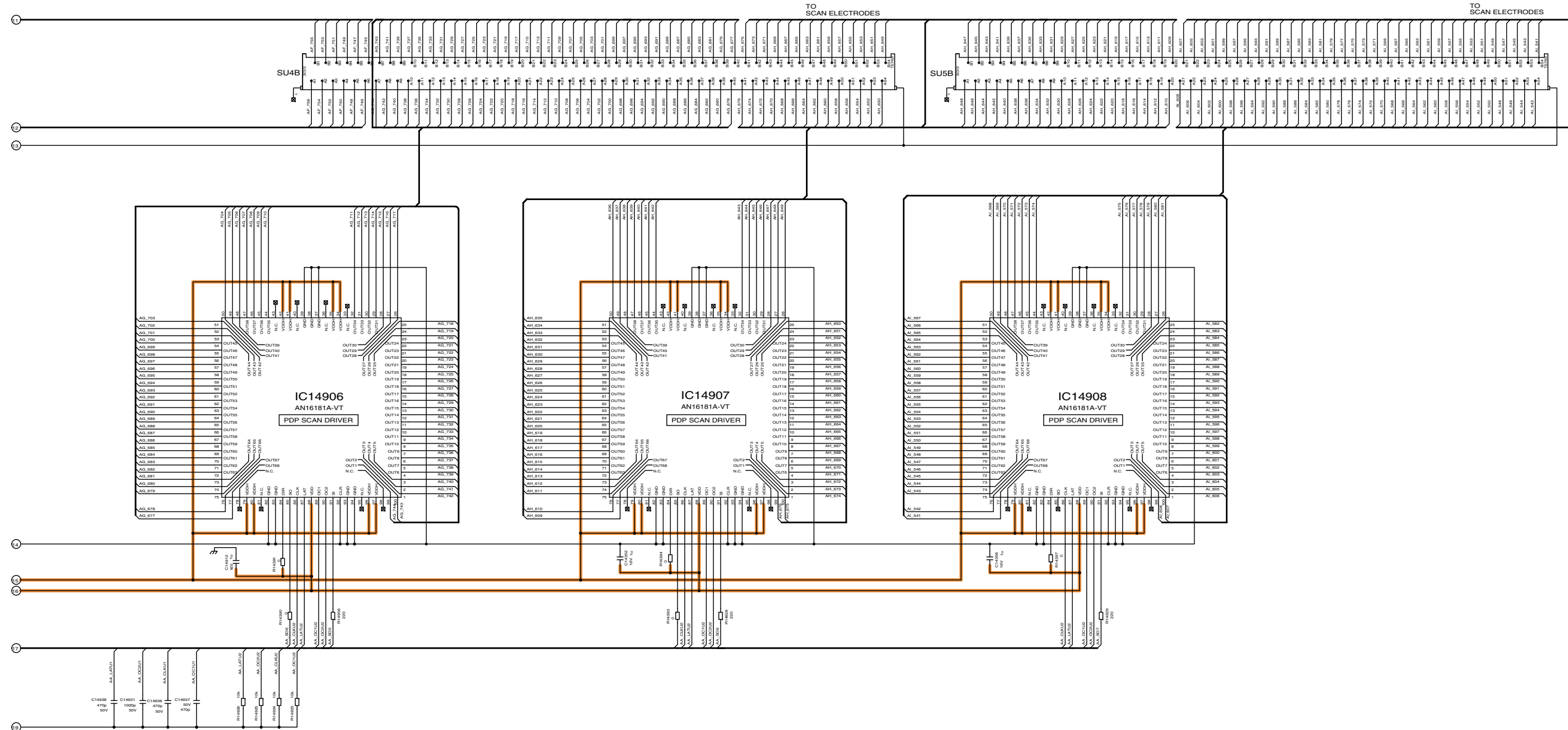
16

17

18

# 11.42. SU-Board (3/3) Schematic Diagram

! SU-BOARD TNPA4612 (3/3)



TH-58PY850M/MR/MS, PZ850A  
SU-Board (3/3) Schematic Diagram

TH-58PY850M/MR/MS, PZ850A  
SU-Board (3/3) Schematic Diagram

19

20

21

22

23

24

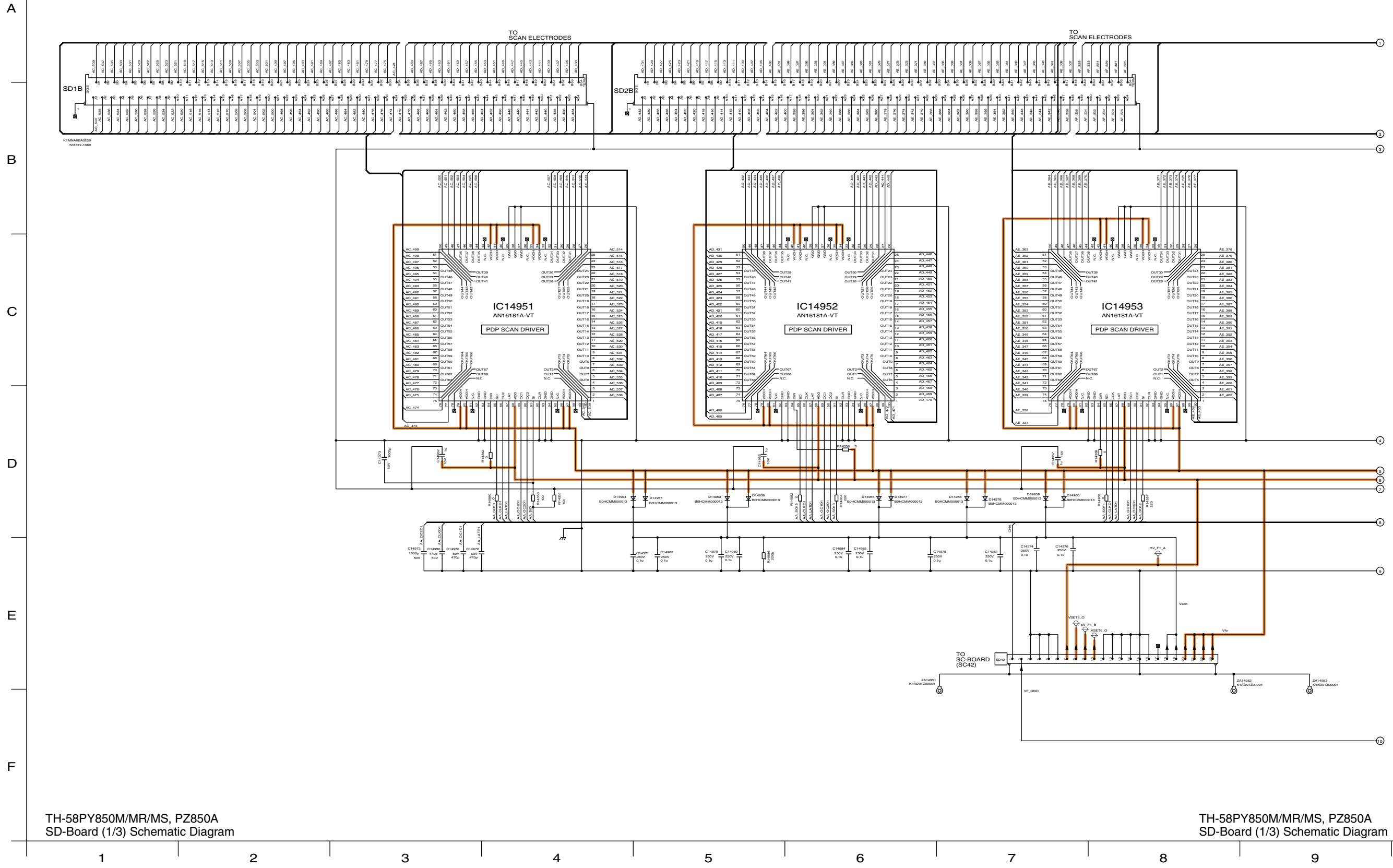
25

26

27

# 11.43. SD-Board (1/3) Schematic Diagram

SD-BOARD TNPA4613 (1/3)

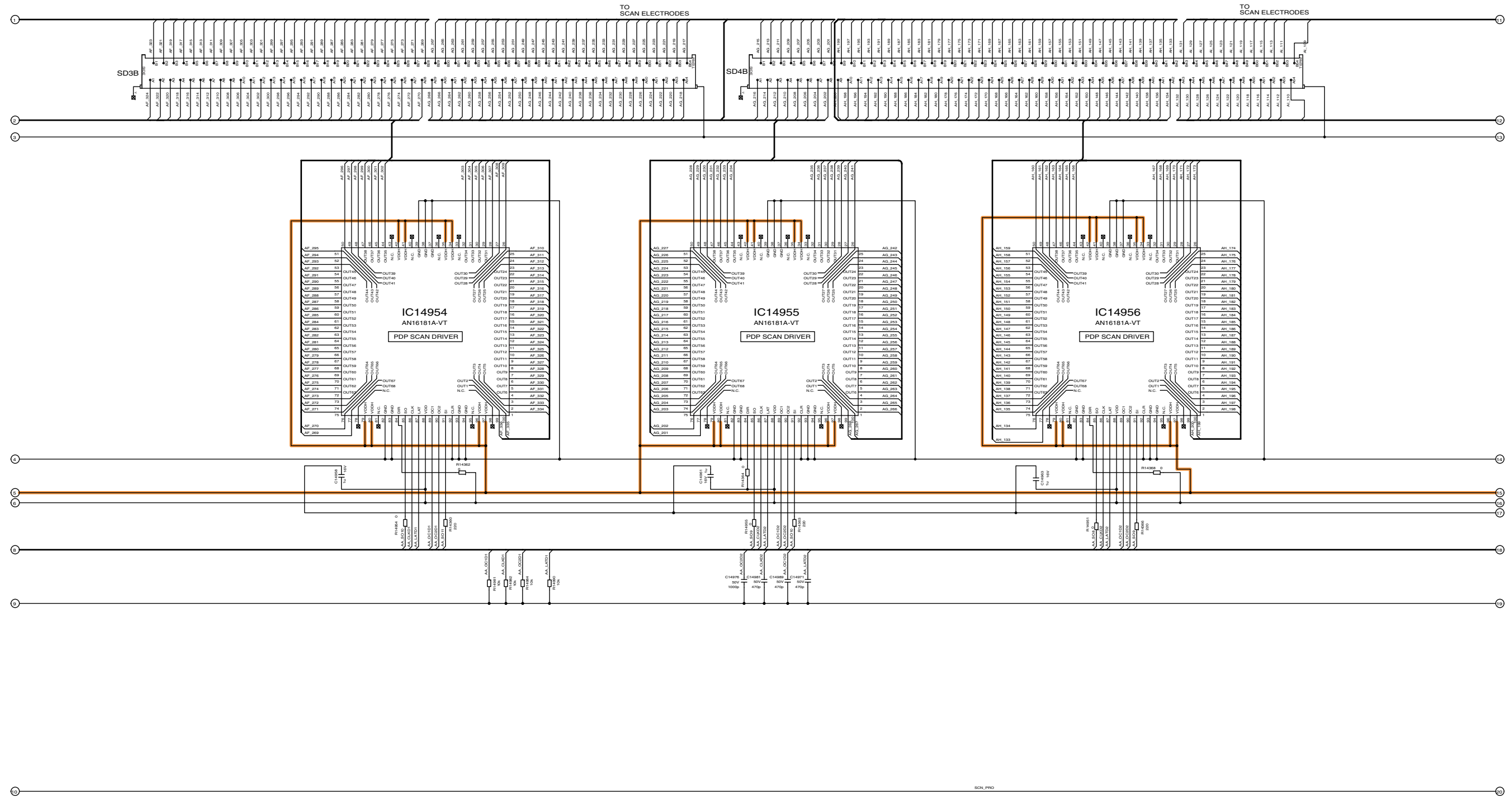


TH-58PY850M/MR/MS, PZ850A  
SD-Board (1/3) Schematic Diagram

TH-58PY850M/MR/MS, PZ850A  
SD-Board (1/3) Schematic Diagram

# 11.44. SD-Board (2/3) Schematic Diagram

SD-BOARD TNPA4613 (2/3)



TH-58PY850M/MR/MS, PZ850A  
SD-Board (2/3) Schematic Diagram

TH-58PY850M/MR/MS, PZ850A  
SD-Board (2/3) Schematic Diagram

10

11

12

13

14

15

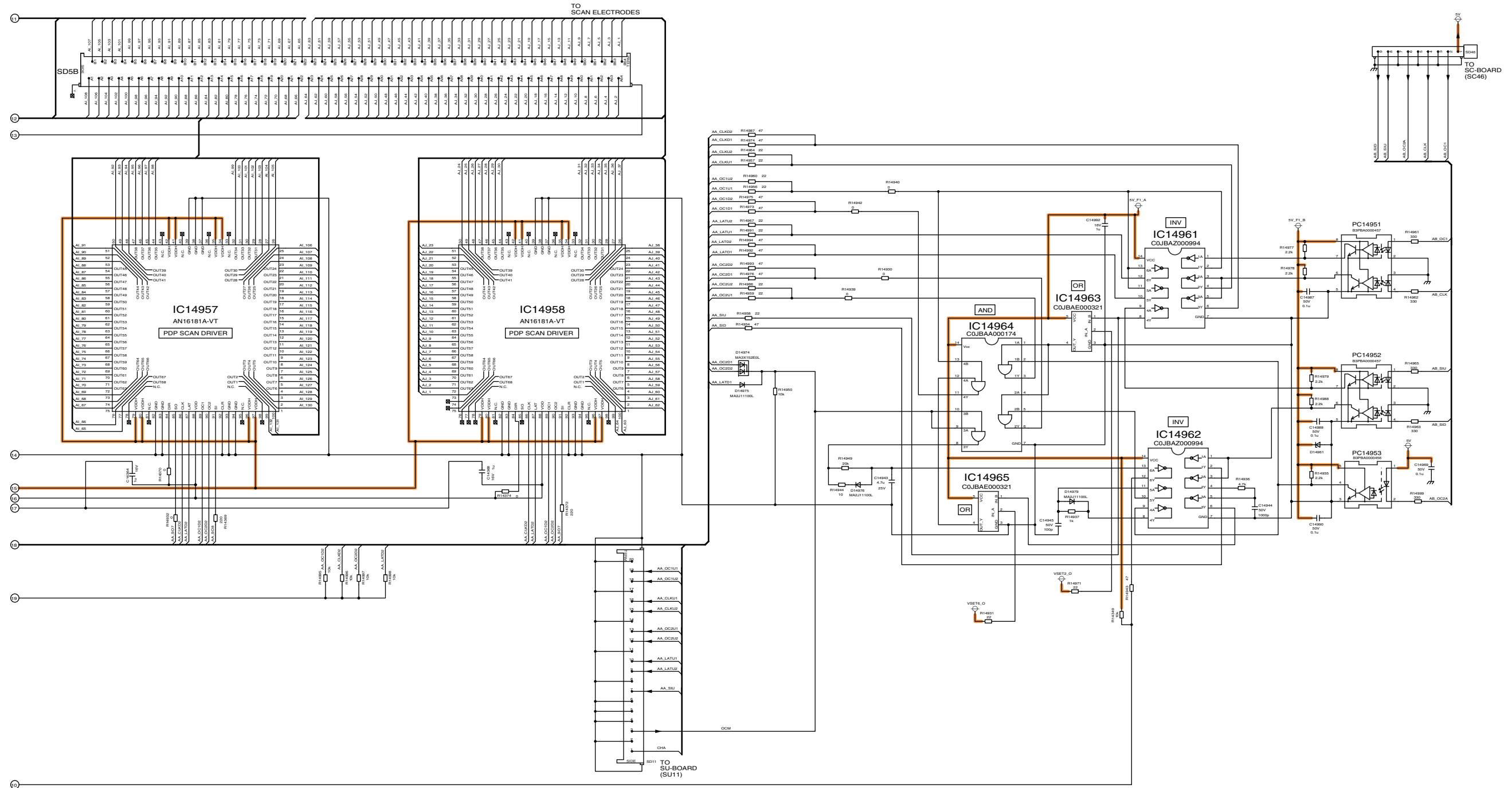
16

17

18

# 11.45. SD-Board (3/3) Schematic Diagram

! SD-BOARD TNPA4613 (3/3)



TH-58PY850M/MR/MS, PZ850A  
SD-Board (3/3) Schematic Diagram

TH-58PY850M/MR/MS, PZ850A  
SD-Board (3/3) Schematic Diagram

19

20

21

22

23

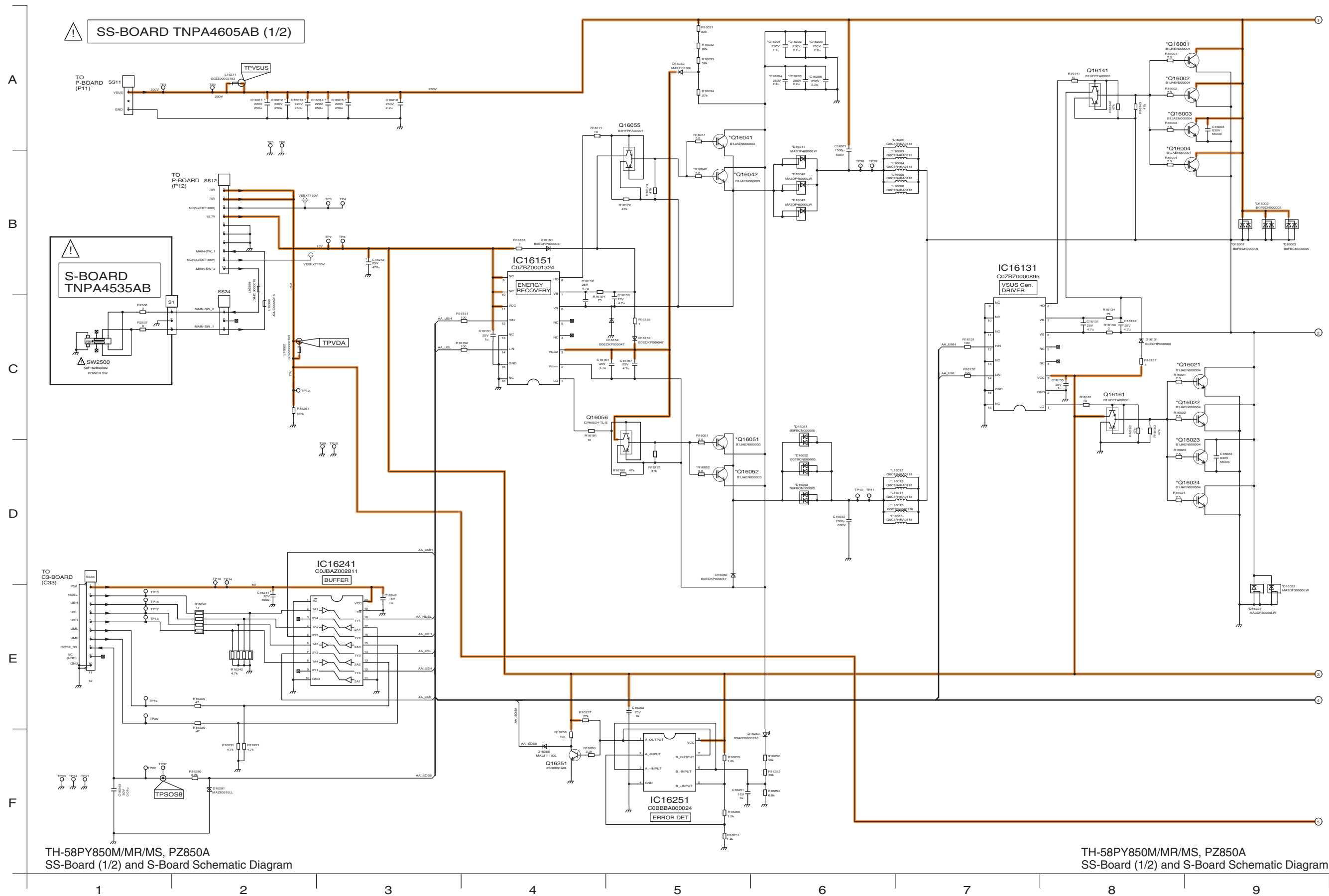
24

25

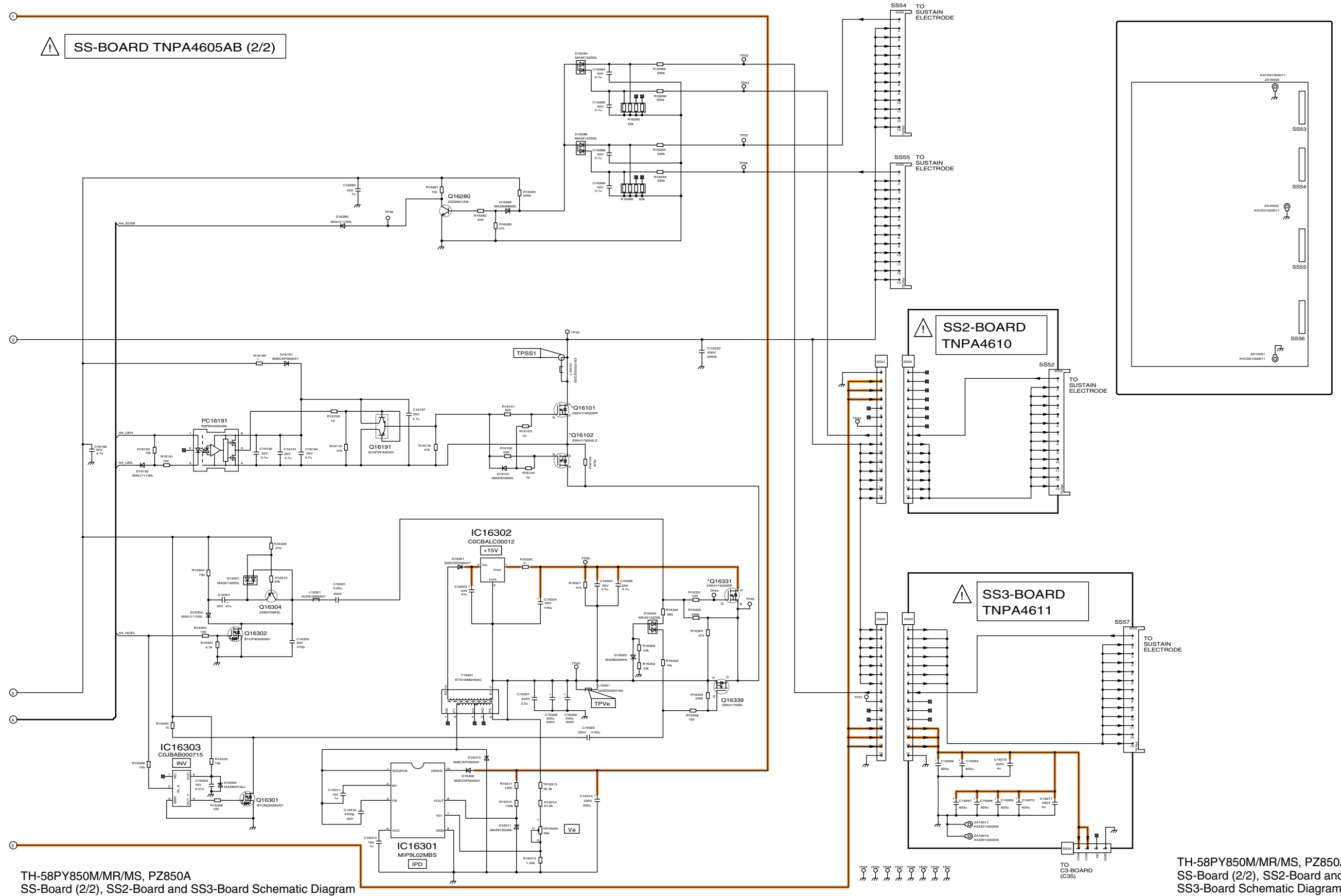
26

27

# 11.46. SS-Board (1/2) and S-Board Schematic Diagram



# 11.47. SS-Board (2/2), SS2-Board and SS3-Board Schematic Diagram



10

11

12

13

14

15

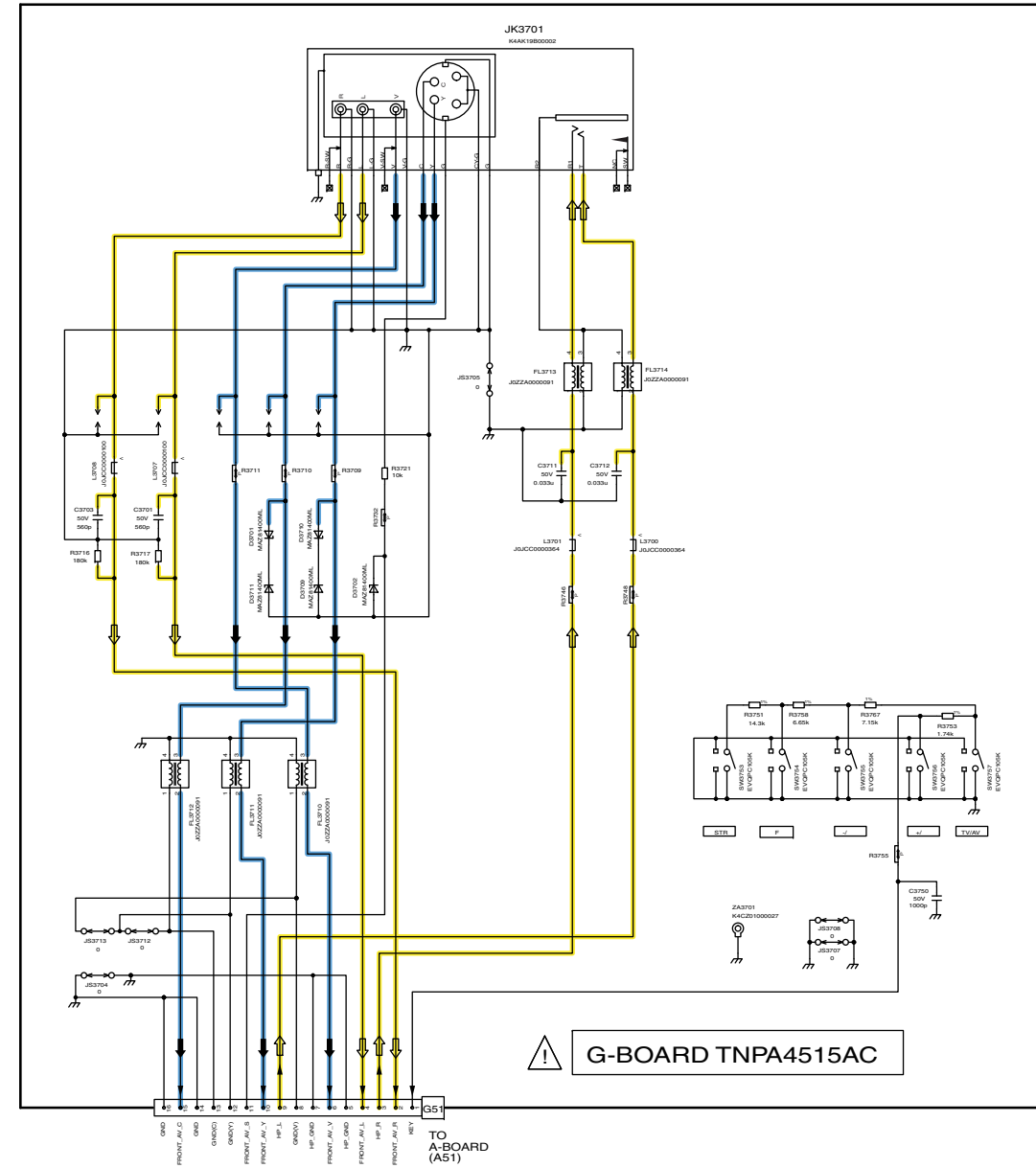
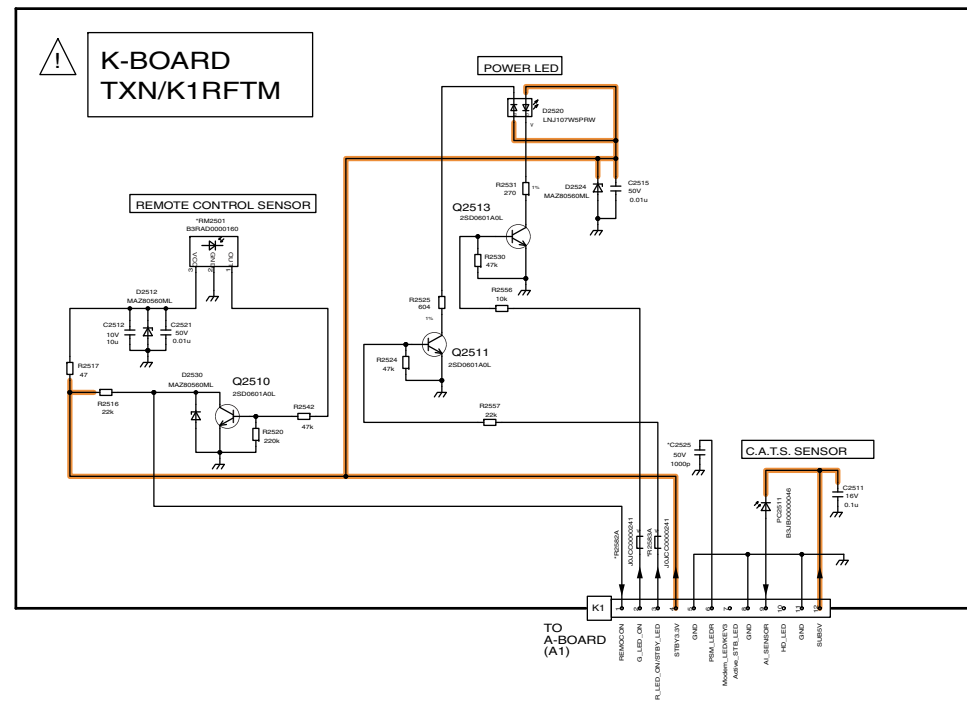
16

17

18

# 11.48. G and K-Board Schematic Diagram

A  
B  
C  
D  
E  
F



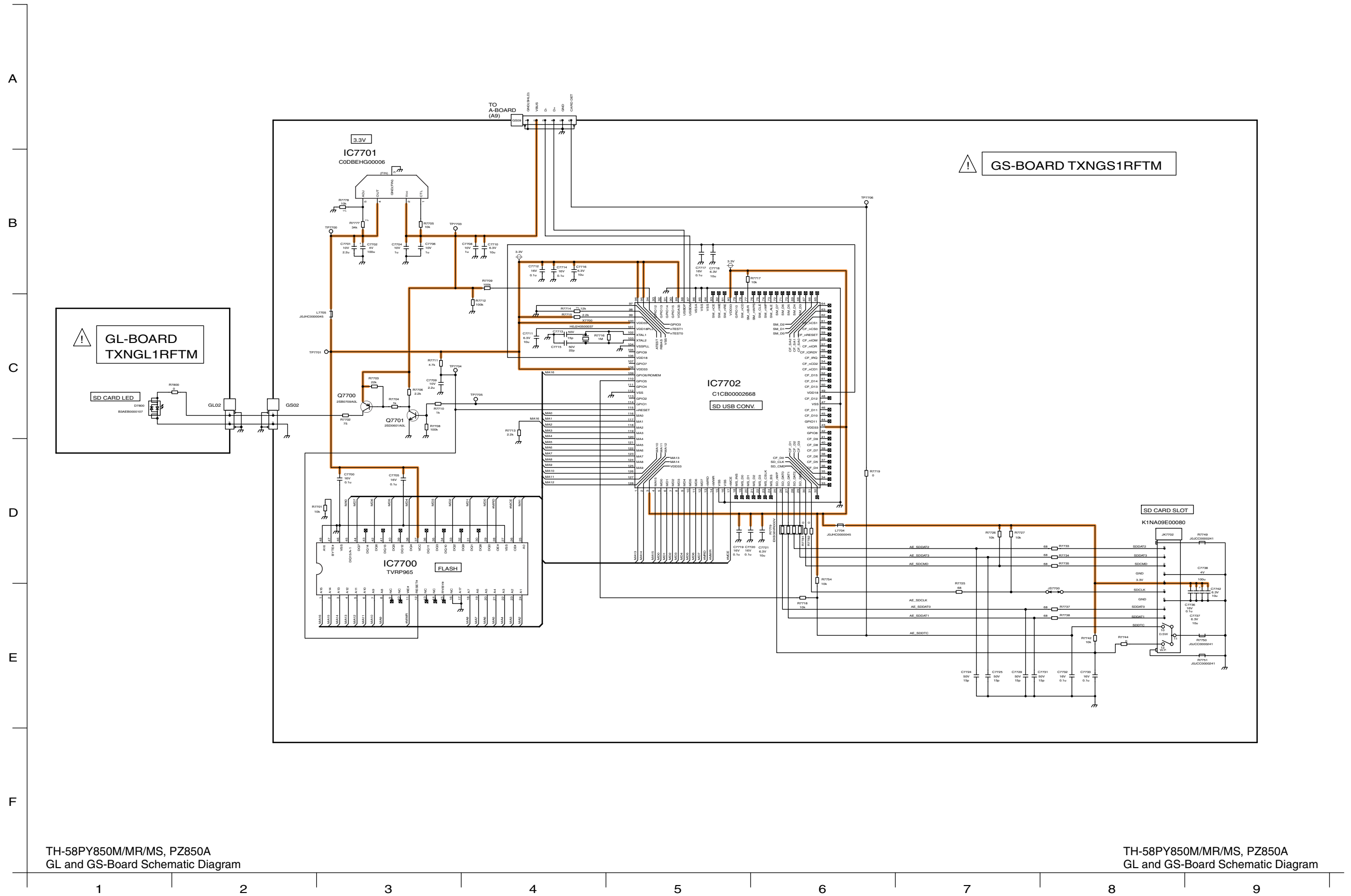
TH-58PY850M/MR/MS, PZ850A  
G and K-Board Schematic Diagram

TH-58PY850M/MR/MS, PZ850A  
G and K-Board Schematic Diagram

1 2 3 4 5 6 7 8 9



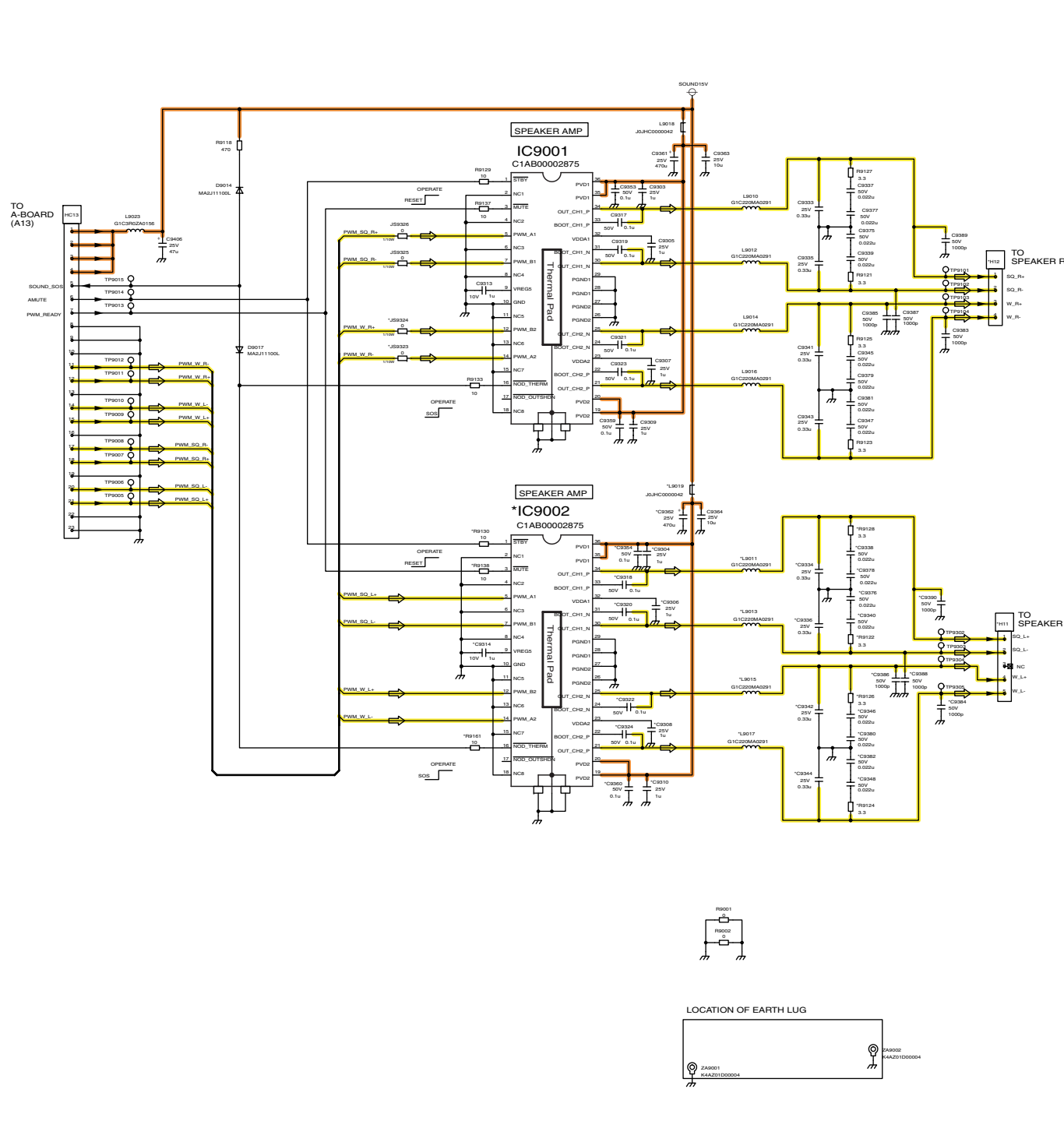
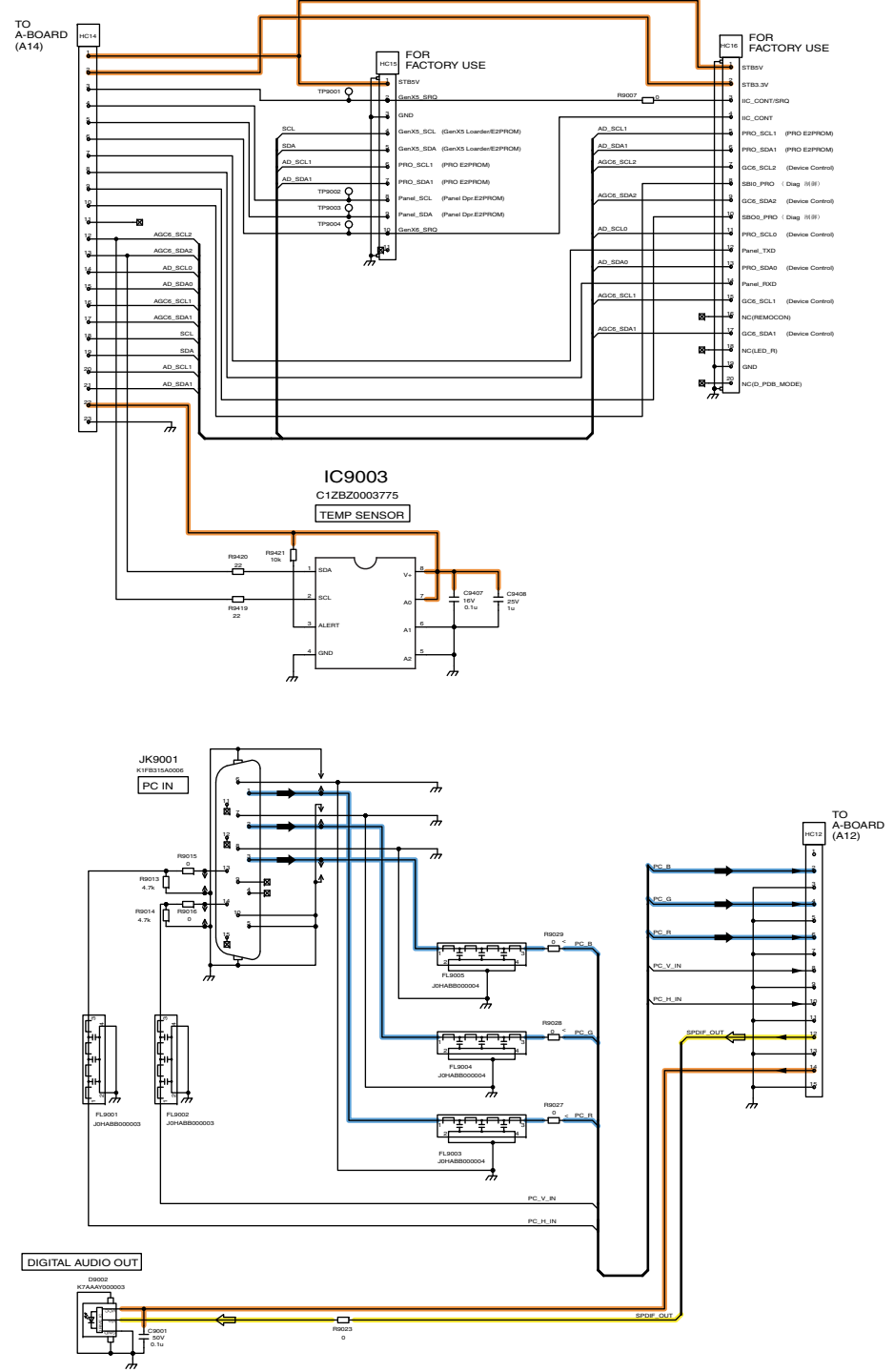
# 11.49. GL and GS-Board Schematic Diagram



# 11.50. HC-Board Schematic Diagram

## ! HC-BOARD TXNHC1RHTB

A  
B  
C  
D  
E  
F



TH-58PY850M/MR/MS, PZ850A  
HC-Board Schematic Diagram

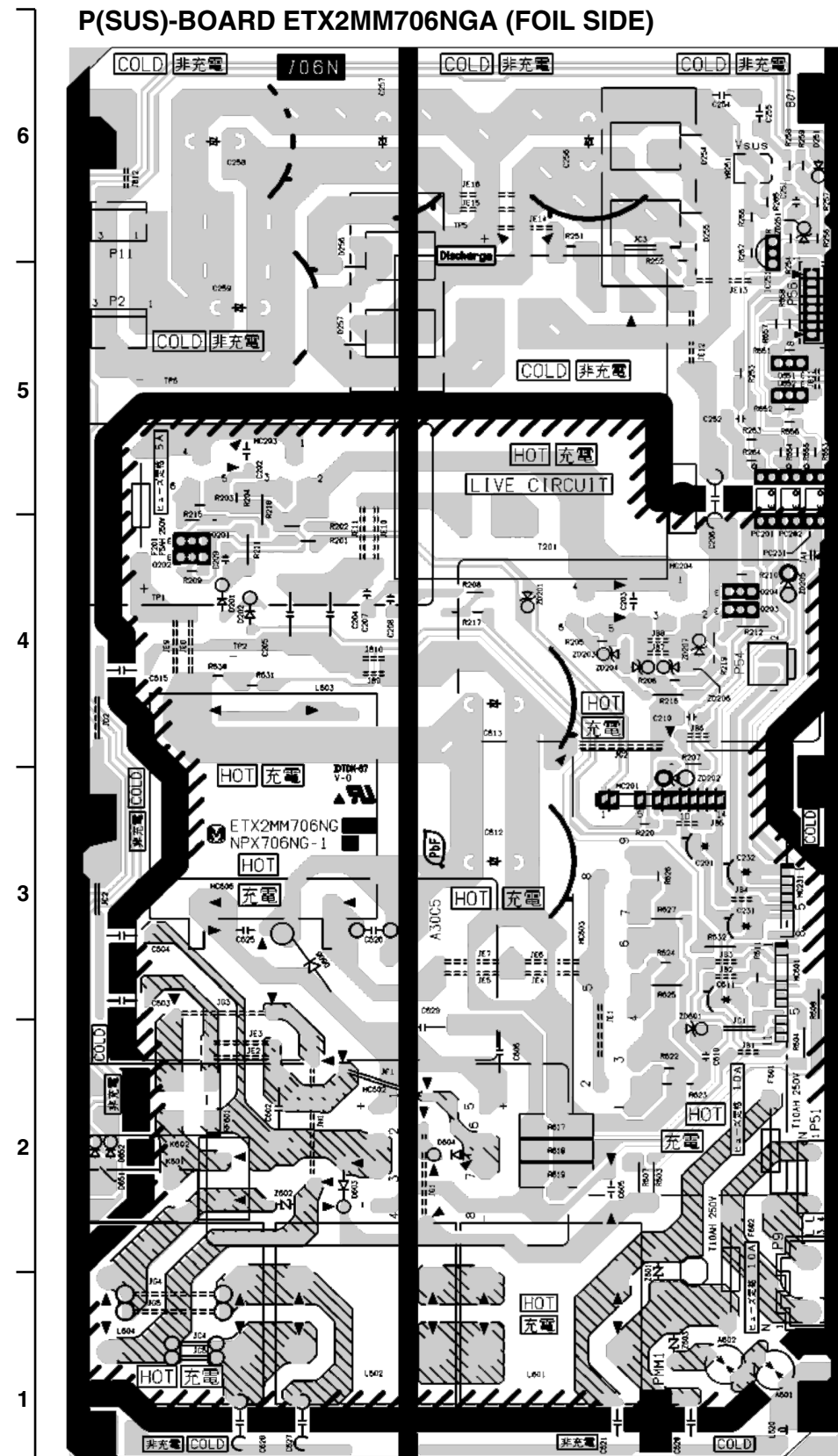
TH-58PY850M/MR/MS, PZ850A  
HC-Board Schematic Diagram

1 2 3 4 5 6 7 8 9

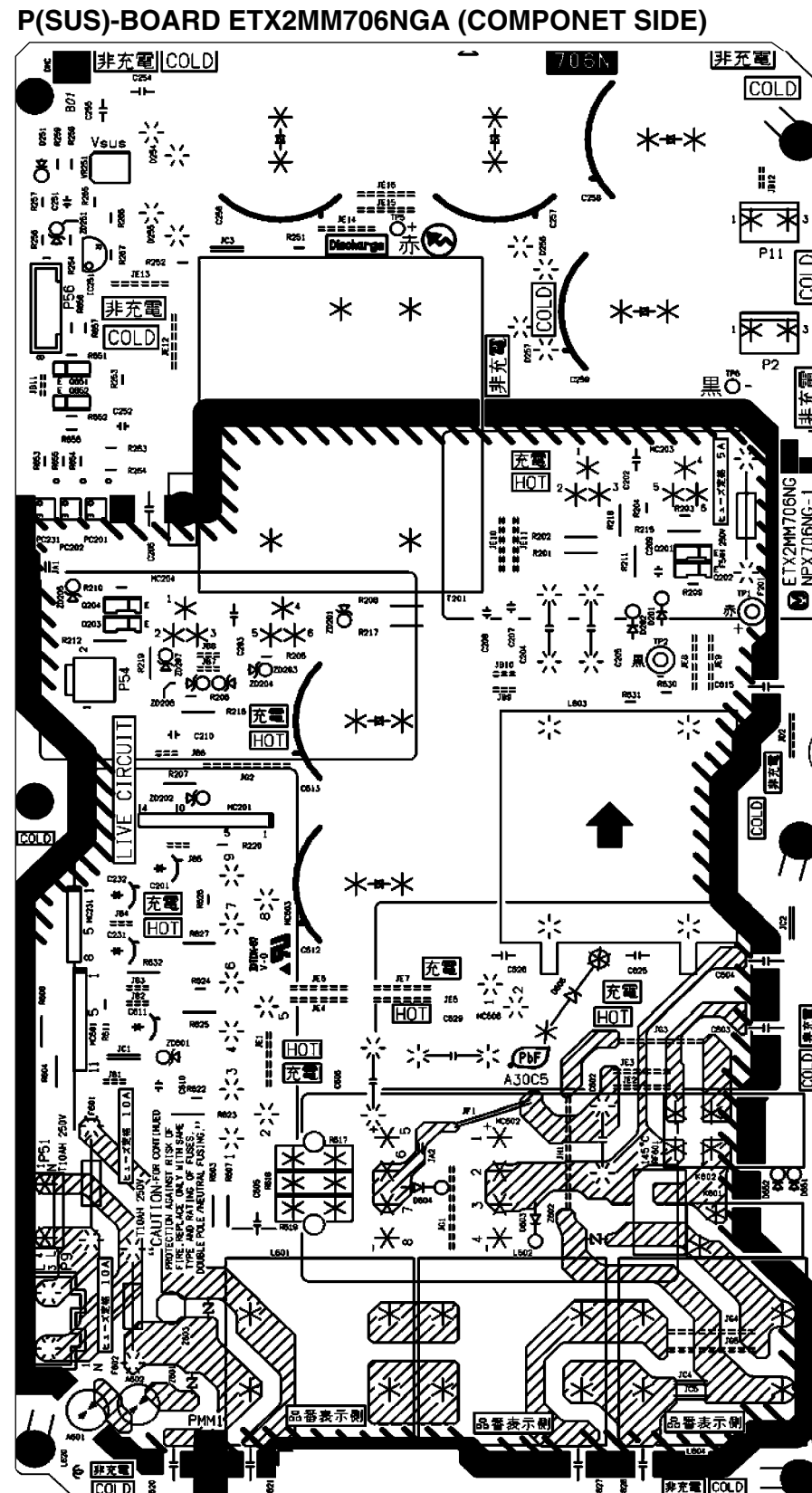


# 12 Printed Circuit Board

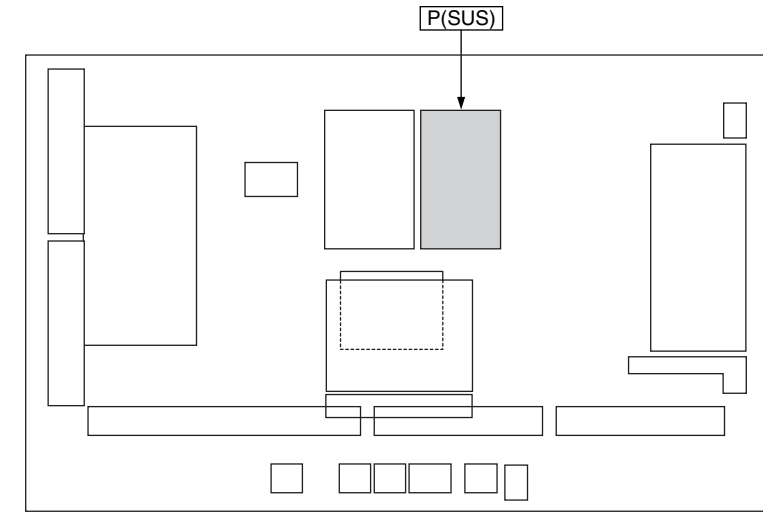
## 12.1. P(SUS)-Board



TH-58PY850M/MR/MS, PZ850A  
P(SUS)-BOARD ETX2MM706NGA



TH-58PY850M/MR/MS, PZ850A  
P(SUS)-BOARD ETX2MM706NGA



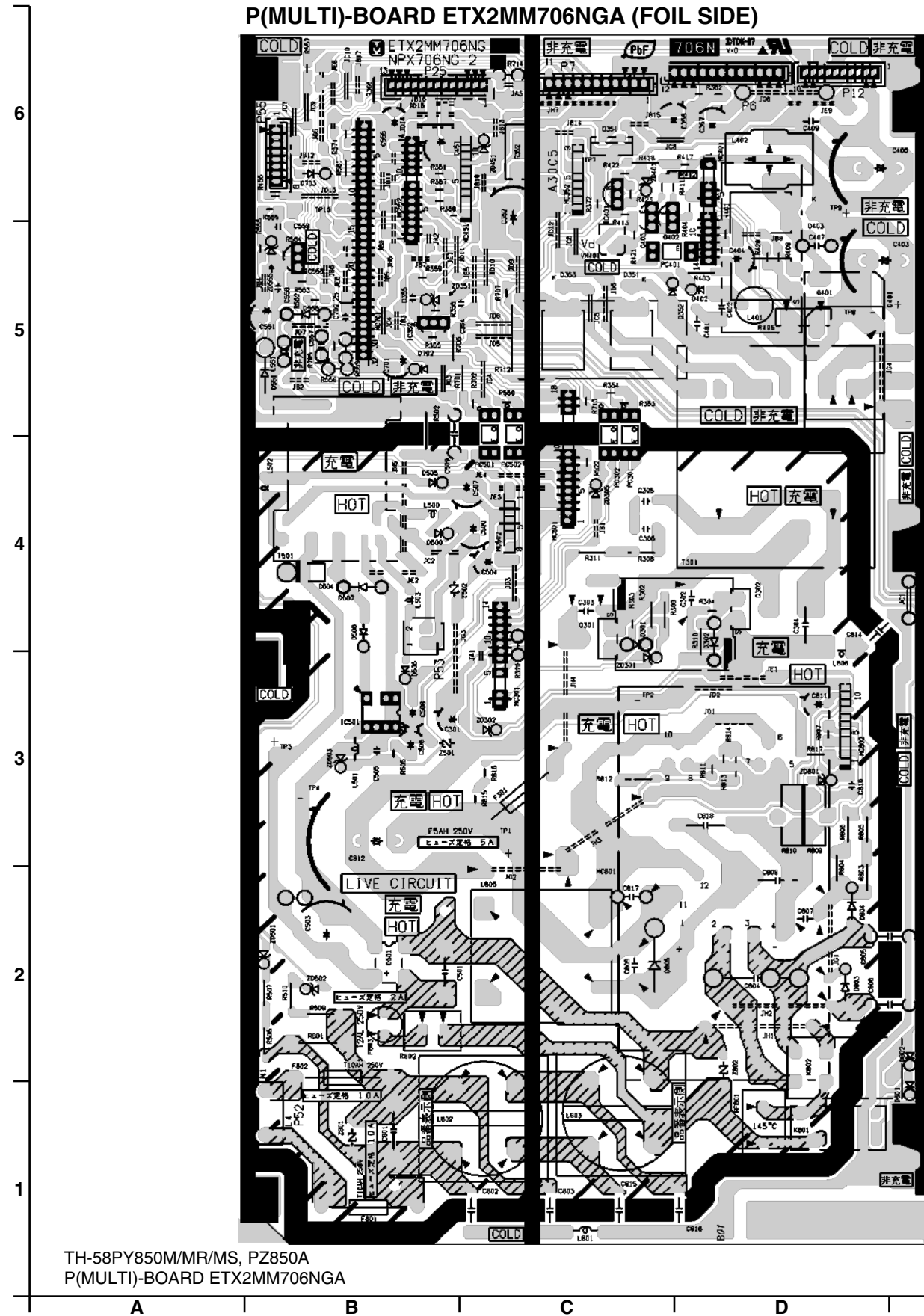
### Parts Location

P(SUS)-BOARD (FOIL SIDE)			
IC		TRANSISTOR	
IC251	C-5	Q201	A-4
MODULE		Q202	A-4
		Q203	C-4
MC201	C-3	Q204	C-4
MC203	A-5	Q651	C-5
MC204	C-4	Q652	C-5
MC231	D-3	TEST POINT	
MC601	D-3	TP1	A-4
MC602	B-2	TP2	A-4
MC603	C-3	TP5	B-6
MC606	A-3	TP6	A-5
PHOTO COUPLER		VOLUME	
PC201	C-4	VR251	C-6
PC202	C-4		
PC231	C-4		

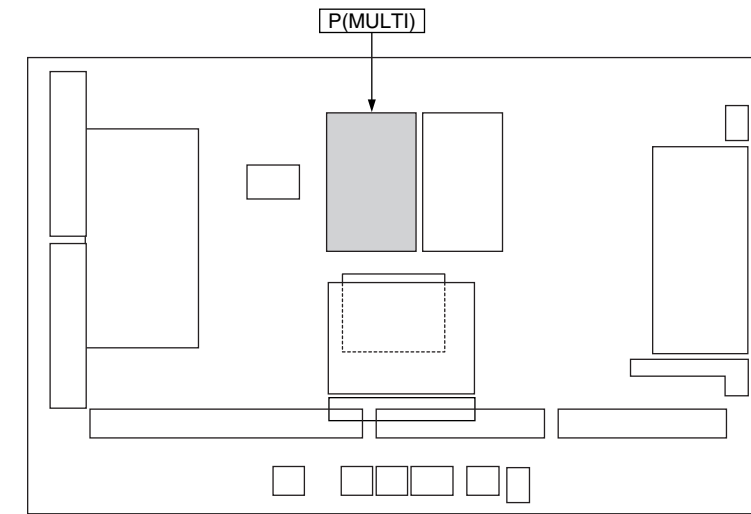
P(SUS)-BOARD (COMPONENT SIDE)			
IC		TRANSISTOR	
IC251	D-5	Q201	F-4
MODULE		Q202	G-4
		Q203	D-4
MC201	E-3	Q204	D-4
MC203	F-5	Q651	D-5
MC204	D-4	Q652	D-5
MC231	D-3	TEST POINT	
MC601	D-3	TP1	G-4
MC602	F-2	TP2	F-4
MC603	E-3	TP5	E-6
MC606	F-3	TP6	G-5
PHOTO COUPLER		VOLUME	
PC201	D-4	VR251	D-6
PC202	D-4		
PC231	D-4		

## 12.2. P(MULTI)-Board

P(MULTI)-BOARD ETX2MM706NGA (FOIL SIDE)



TH-58PY850M/MR/MS, PZ850A  
P(MULTI)-BOARD ETX2MM706NGA

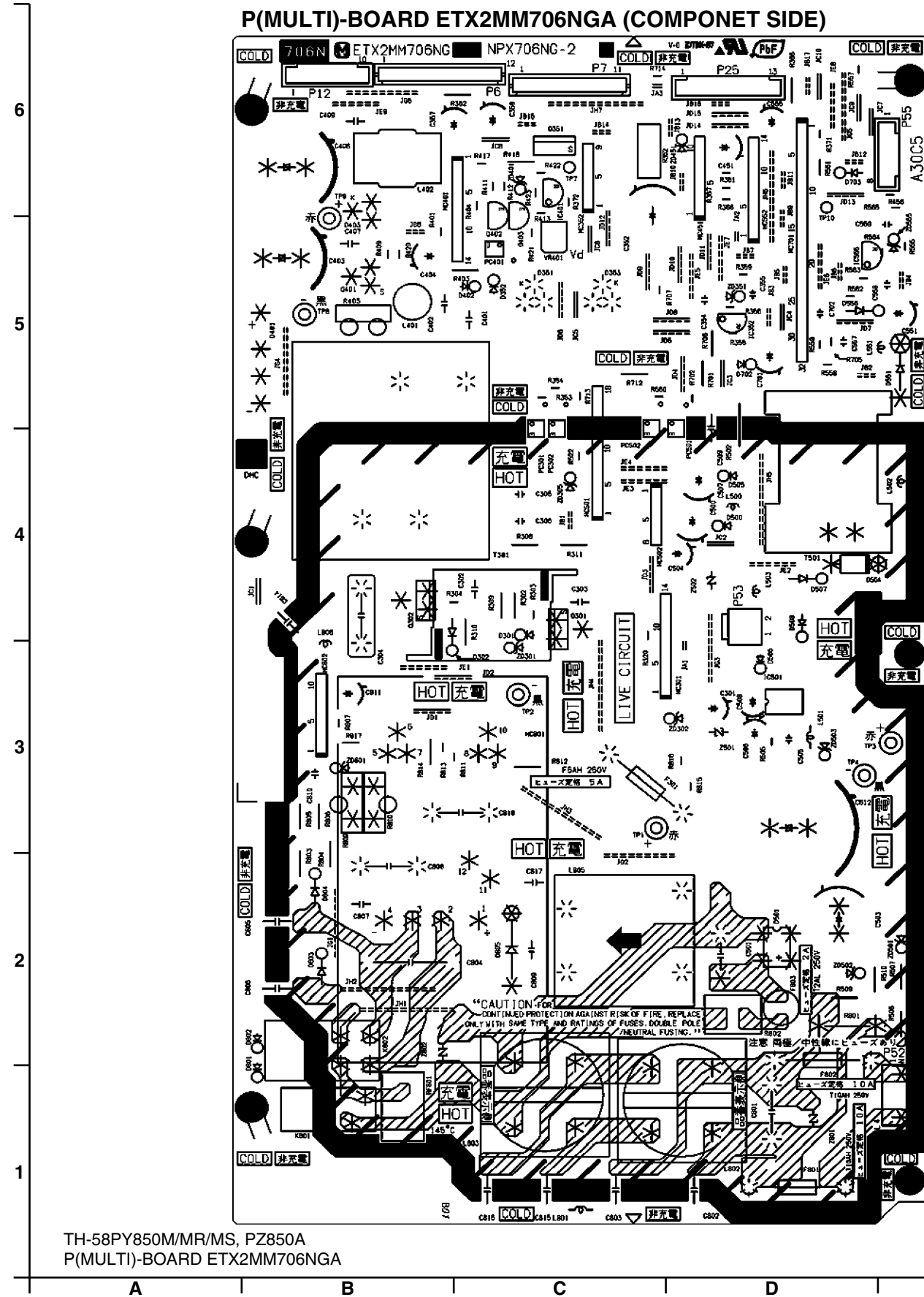


Parts Location

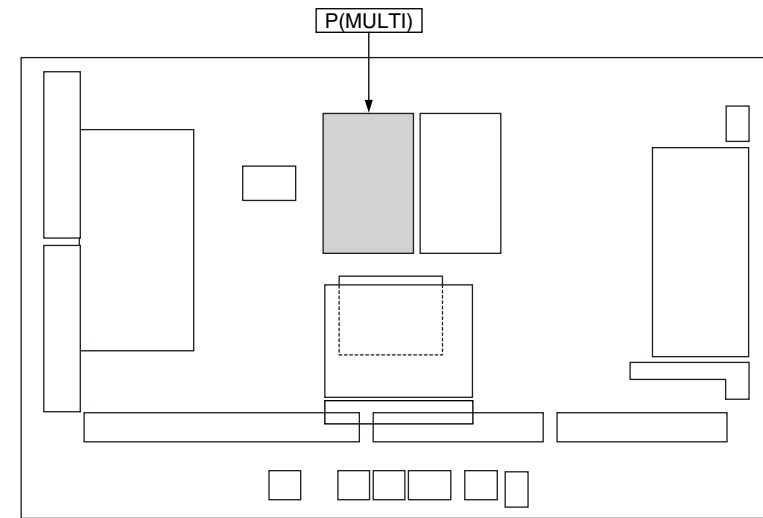
P(MULTI)-BOARD (FOIL SIDE)			
IC		TRANSISTOR	
IC352	B-5	Q301	C-4
IC401	C-6	Q302	D-4
IC501	B-3	Q351	C-6
IC555	B-5	Q401	D-5
		Q402	C-5
		Q403	C-5
MODULE		TEST POINT	
MC301	C-3	TP1	C-3
MC352	C-6	TP2	C-3
MC401	D-6	TP3	B-3
MC451	C-5	TP4	B-3
MC501	C-4	TP7	C-6
MC502	C-4	TP8	D-5
MC552	B-6	TP9	D-6
MC701	B-5	TP10	B-6
MC801	C-2		
MC802	D-3		
PHOTO COUPLER		VOLUME	
PC301	C-4	VR401	C-5
PC302	C-4		
PC401	C-5		
PC501	C-4		
PC502	C-4		

TH-58PY850M/MR/MS, PZ850A  
P(MULTI)-BOARD ETX2MM706NGA

P(MULTI)-BOARD ETX2MM706NGA (COMPONENT SIDE)



TH-58PY850M/MR/MS, PZ850A  
P(MULTI)-BOARD ETX2MM706NGA

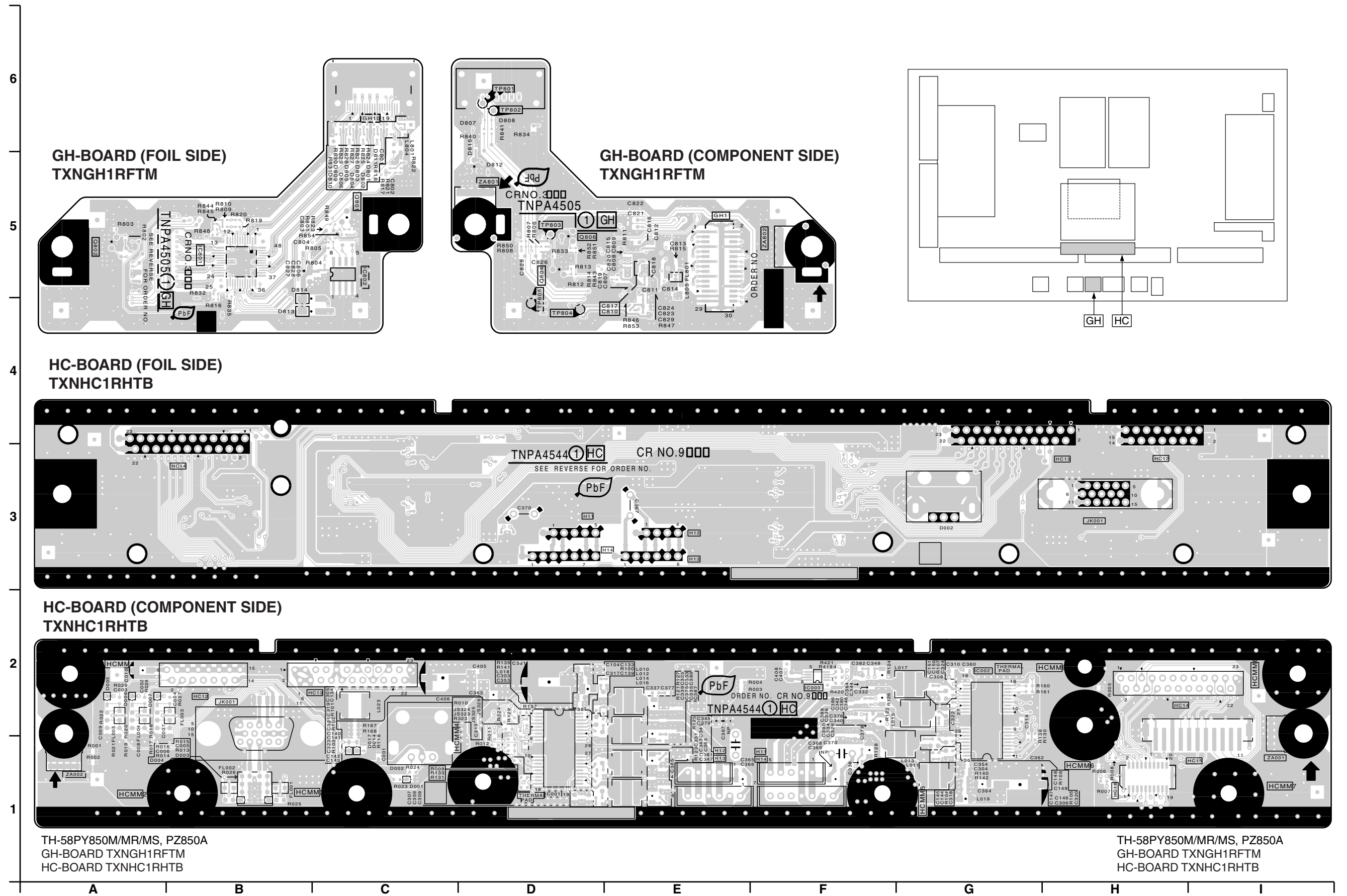


Parts Location

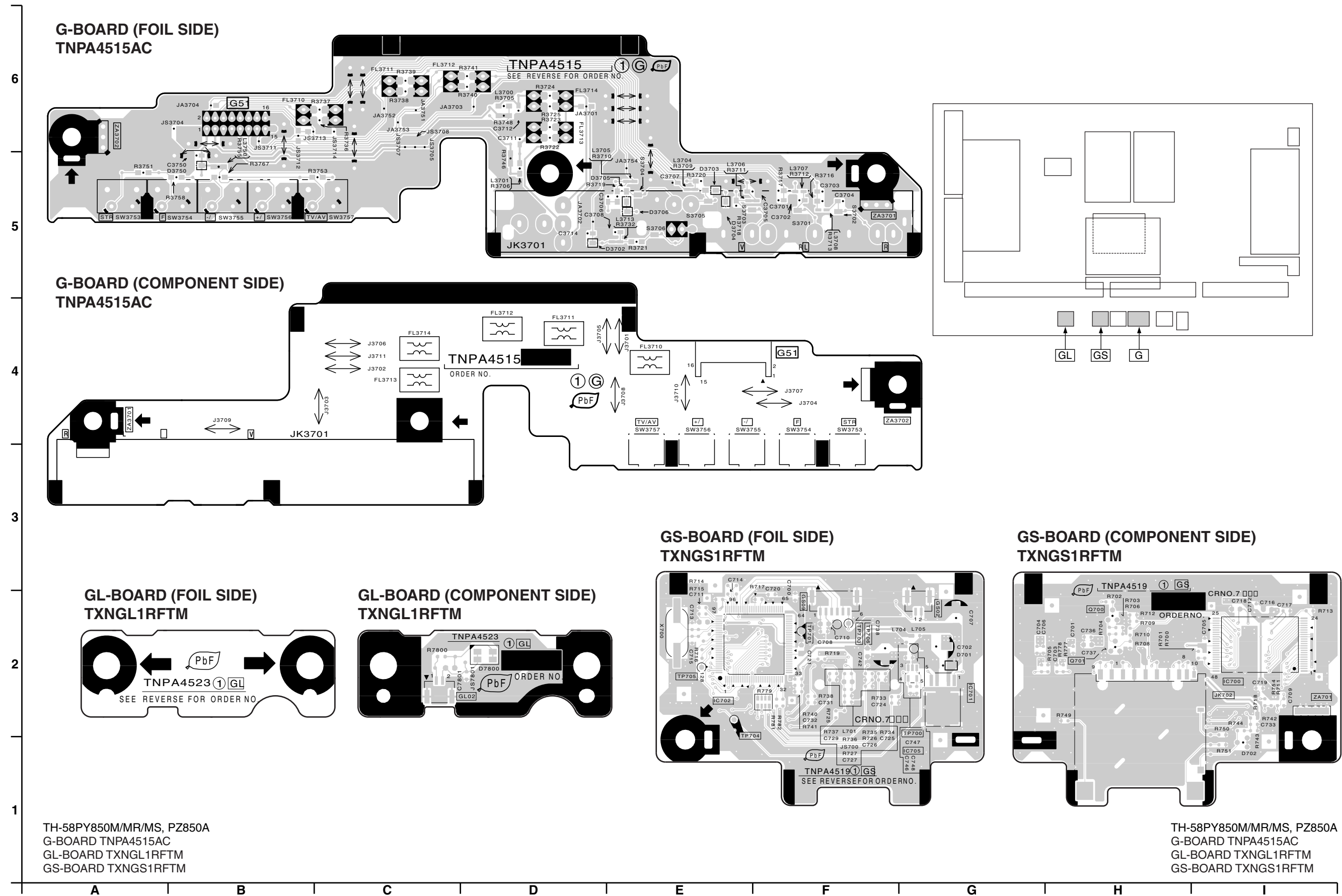
P(MULTI)-BOARD (COMPONENT SIDE)			
IC		TRANSISTOR	
IC352	D-5	Q301	C-4
IC401	C-6	Q302	B-4
IC501	D-3	Q351	C-6
IC555	D-5	Q401	B-5
		Q402	C-5
		Q403	C-5
MODULE		TEST POINT	
MC301	D-3	TP1	C-3
MC352	C-5	TP2	C-3
MC401	B-6	TP3	D-3
MC451	D-5	TP4	D-3
MC501	C-4	TP7	C-6
MC502	C-4	TP8	B-5
MC552	D-5	TP9	B-6
MC701	D-5	TP10	D-5
MC801	C-3		
MC802	B-3		
PHOTO COUPLER		VOLUME	
PC301	C-4	VR401	C-5
PC302	C-4		
PC401	C-5		
PC501	D-4		
PC502	C-4		

TH-58PY850M/MR/MS, PZ850A  
P(MULTI)-BOARD ETX2MM706NGA

### 12.3. GH and HC-Board

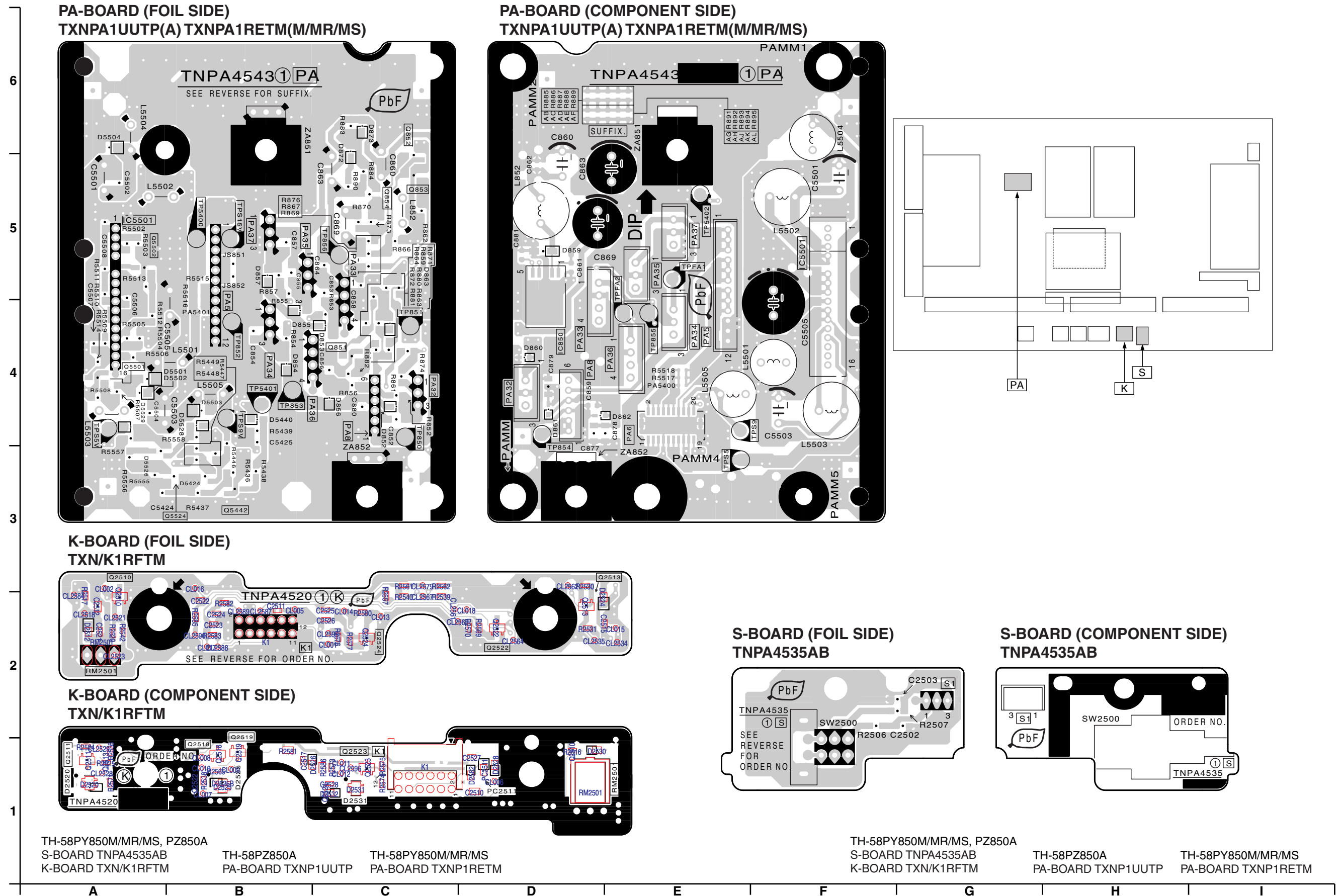


## 12.4. G, GL and GS-Board



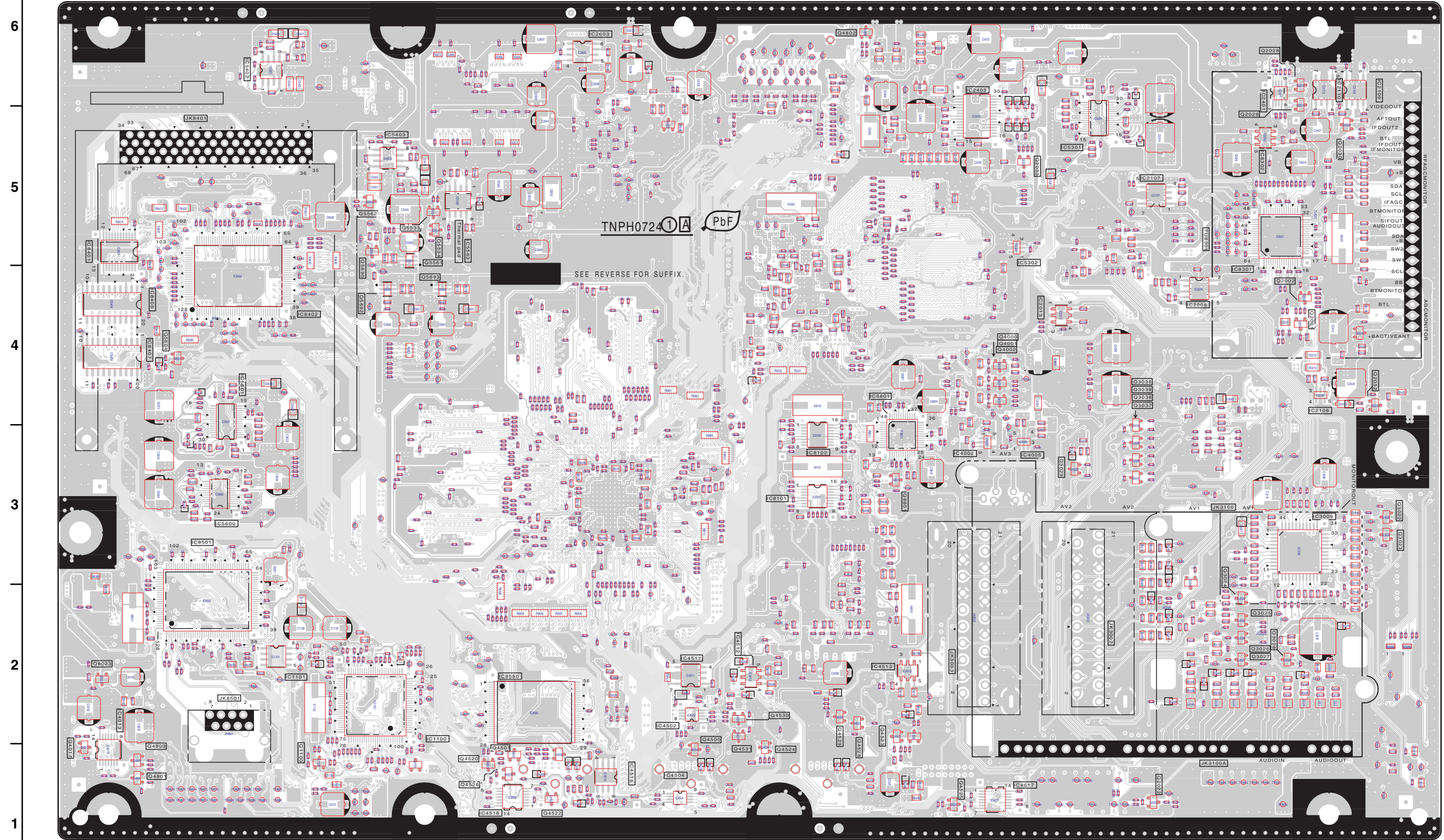


## 12.5. K, PA and S-Board



# 12.6. A-Board

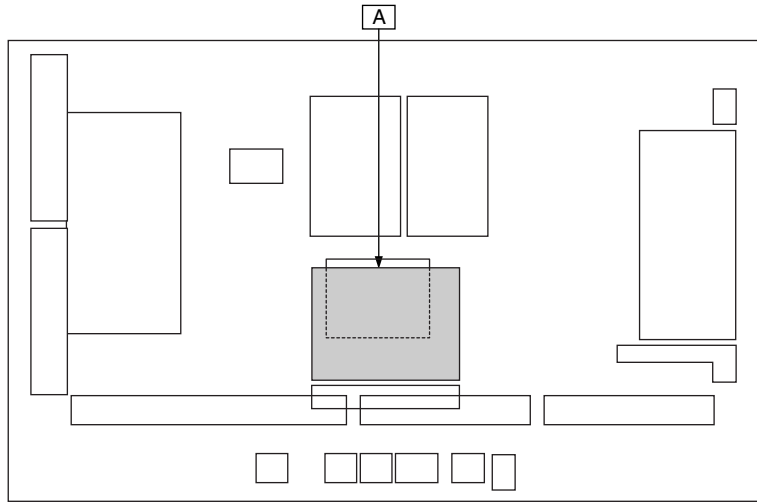
## A-BOARD (FOIL SIDE) TXN/A1RETA(A) TXN/A1RETM(M/MR) TXN/A1RETQ(MS)



TH-58PZ850A	TH-58PY850M/MR	TH-58PY850MS
A-BOARD TXN/A1RETA	A-BOARD TXN/A1RETM	A-BOARD TXN/A1RETQ

TH-58PZ850A	TH-58PY850M/MR	TH-58PY850MS
A-BOARD TXN/A1RETA	A-BOARD TXN/A1RETM	A-BOARD TXN/A1RETQ

A B C D E F G H I



Parts Location

A-BOARD (FOIL SIDE)											
IC		TRANSISTOR		TEST POINT							
IC1100	C-2	Q1100	B-1	TP1042	E-3	TP2624	D-5	TP5600	B-3	TPC0F	C-2
IC1101	B-2	Q2001	I-4	TP1043	E-3	TP2625	D-5	TP5601	B-4	TPEC0	H-6
IC2008	H-4	Q2002	H-4	TP1044	F-3	TP3000	H-1	TP5602	B-3	TPFR1	D-5
IC2013	G-4	Q2022	H-1	TP1045	E-4	TP3001	H-1	TP5603	C-1	TPFR25	C-5
IC2107	H-5	Q2028	H-6	TP1100	B-2	TP3002	H-1	TP5604	C-1	TPFR26	D-5
IC2108	I-4	Q2029	H-5	TP1101	B-2	TP3003	H-1	TP5605	C-1	TPFR31	B-6
IC2109	I-6	Q2030	I-5	TP1102	B-2	TP3004	H-1	TP5606	C-1	TPMON	C-5
IC2110	I-6	Q2032	I-4	TP1103	B-2	TP3005	H-1	TP5607	C-1	TPMH12	D-6
IC2401	H-6	Q2033	G-5	TP1104	C-1	TP3006	H-1	TP5608	C-1	TPMH33	F-6
IC2403	F-6	Q3022	I-3	TP1105	C-1	TP3007	H-1	TP5660	C-2	TPS0N	H-6
IC2603	D-6	Q3023	I-3	TP1107	C-1	TP3021	F-2	TP5700	C-5	TPS0S	C-2
IC3009	I-2	Q3024	H-3	TP1107	C-1	TP3022	H-2	TP5701	H-4	TPS15V	G-1
IC4002	F-3	Q3025	H-2	TP2008	H-1	TP3023	I-1	TP5705	G-5	TPST5	H-6
IC4005	G-3	Q3026	H-2	TP2009	G-1	TP3024	I-1	TP5706	C-4		
IC4013	A-2	Q3027	H-2	TP2020	F-6	TP3025	I-1	TP8002	C-4		
IC4502	E-2	Q3028	H-2	TP2030	I-5	TP3026	I-1	TP8003	C-4		
IC4504	E-1	Q3029	G-3	TP2031	I-4	TP3027	I-2	TP8004	C-4		
IC4511	E-2	Q3036	H-4	TP2032	F-6	TP3028	I-2	TP8005	C-4		
IC4512	E-2	Q3037	H-4	TP2034	G-1	TP3029	I-2	TP8006	C-4		
IC4513	F-2	Q3038	H-4	TP2035	G-1	TP3030	I-2	TP8007	C-4		
IC4516	D-1	Q3039	H-4	TP2038	G-1	TP3031	I-1	TP8008	C-4		
IC4517	G-1	Q4000	G-4	TP2039	G-1	TP4000	G-4	TP8009	C-4		
IC4518	C-1	Q4001	G-4	TP2040	G-1	TP4520	D-1	TP8010	C-4		
IC5301	G-5	Q4002	G-4	TP2041	G-1	TP4521	D-1	TP8019	C-3		
IC5302	G-5	Q4017	A-1	TP2042	G-1	TP4522	D-1	TP8020	C-3		
IC5402	B-6	Q4500	E-2	TP2043	G-1	TP4523	D-1	TP8021	D-3		
IC5403	C-5	Q4501	C-1	TP2044	G-1	TP4524	D-1	TP8022	C-4		
IC5563	C-5	Q4520	C-1	TP2045	G-1	TP4801	B-1	TP8023	D-3		
IC5600	B-3	Q4522	D-1	TP2600	F-6	TP4802	B-1	TP8024	C-3		
IC5601	B-4	Q4523	F-2	TP2601	E-6	TP4803	B-1	TP8025	G-4		
IC8101	E-3	Q4524	E-1	TP2602	E-6	TP4804	B-1	TP8301	H-5		
IC8102	E-3	Q4525	F-1	TP2603	E-6	TP4805	B-1	TP8401	B-5		
IC8301	H-5	Q4526	C-1	TP2604	E-6	TP4806	B-1	TP8402	A-5		
IC8302	H-5	Q4528	F-1	TP2605	E-6	TP4807	B-1	TP8403	B-5		
IC8401	A-5	Q4529	F-2	TP2606	E-6	TP4808	B-1	TP8404	B-5		
IC8402	B-4	Q4530	E-2	TP2607	E-6	TP4809	B-1	TP8501	E-3		
IC8406	A-4	Q4531	E-1	TP2608	E-6	TP4810	B-1	TP8502	A-3		
IC8407	A-4	Q4801	A-1	TP2609	E-6	TP4811	B-1	TP8503	A-3		
IC8501	B-3	Q4802	F-6	TP2610	E-6	TP4812	B-1	TP8504	A-3		
IC8580	C-2	Q4803	A-1	TP2611	E-6	TP4813	B-1	TP8505	A-3		
IC8801	F-4	Q5533	C-5	TP2612	E-6	TP4814	B-1	TP8506	B-2		
		Q5534	C-5	TP2613	E-6	TP4815	B-1	TP8601	C-2		
		Q5561	C-5	TP2614	E-6	TP4816	A-1	TP8602	C-2		
		Q5562	C-5	TP2615	E-6	TP4817	A-1	TP8603	C-2		
		Q5604	A-4	TP2616	E-6	TP4818	A-1	TP8701	D-3		
		Q5690	C-4	TP2617	E-6	TP4819	A-1	TP8702	C-3		
		Q5692	C-4	TP2618	E-6	TP4820	B-3	TP8745	C-2		
		Q5693	C-4	TP2619	E-6	TP4821	D-3	TP8851	E-2		
		Q8023	A-2	TP2620	E-6	TP5300	E-4	TP8901	E-3		
		Q8801	F-3	TP2621	E-6	TP5301	G-5	TP8902	E-3		
				TP2622	E-6	TP5302	G-6	TP8960	B-6		
				TP2623	E-6	TP5401	B-6				

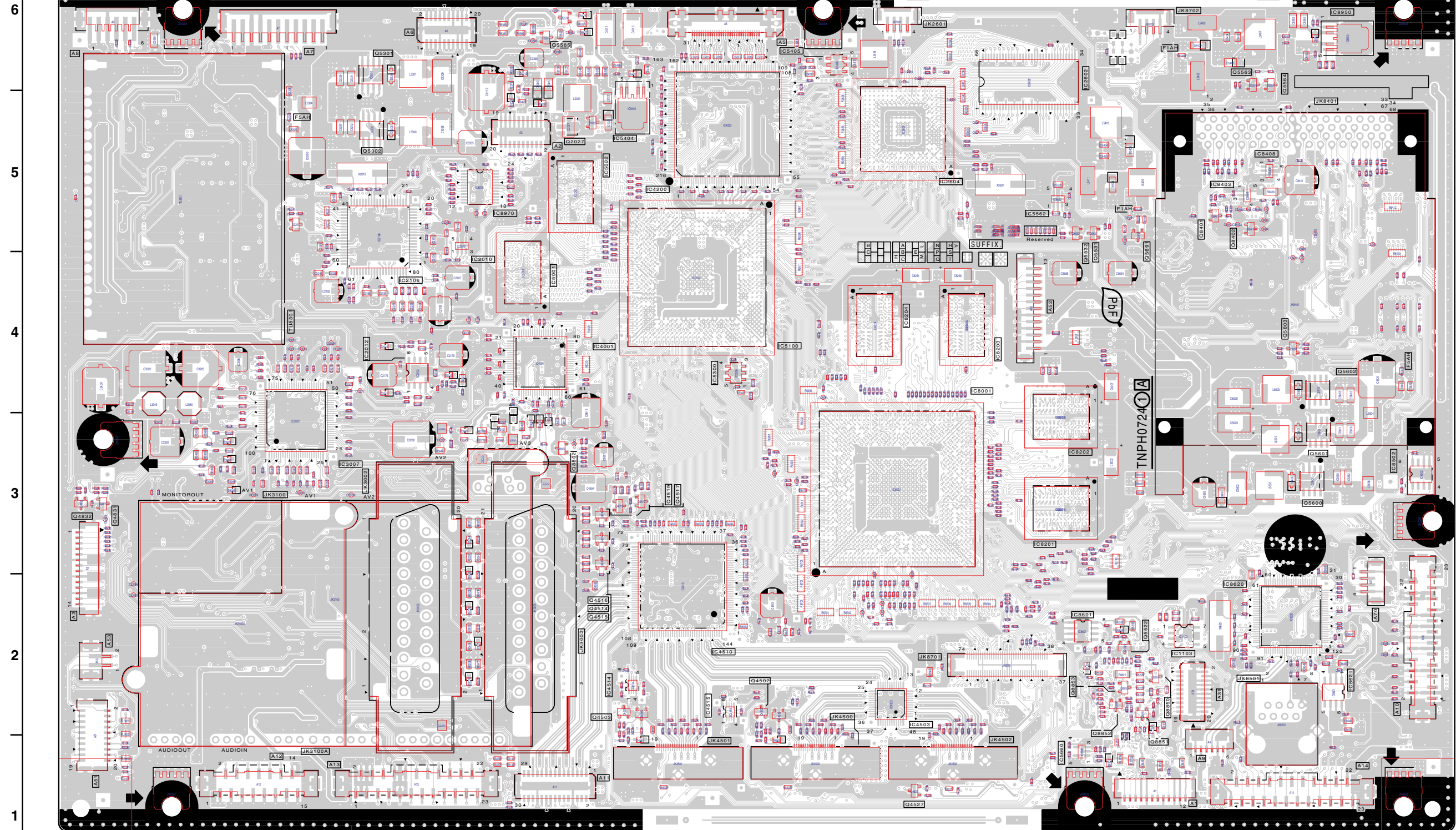
TH-58PY850M/MR/MS, PZ850A  
A-BOARD PARTS LOCATION

Parts Location

A-BOARD (COMPONENT SIDE)					
IC		TRANSISTOR		TEST POINT	
IC1103	H-2	Q2027	D-5	TP1106	H-2
IC2010	C-4	Q4502	E-2	TP2019	D-6
IC2012	C-4	Q4503	D-2		
IC2106	C-4	Q4514	D-2		
IC2602	G-6	Q4515	D-2		
IC2604	F-5	Q4516	D-2		
IC3007	B-3	Q4517	E-3		
IC4001	D-4	Q4519	E-3		
IC4200	E-5	Q4527	F-1		
IC4503	F-2	Q4831	A-3		
IC4510	E-2	Q4832	A-3		
IC4514	D-2	Q5301	C-6		
IC4515	E-2	Q5302	C-5		
IC5001	D-4	Q5522	G-2		
IC5002	D-5	Q5531	G-4		
IC5100	E-4	Q5532	G-4		
IC5300	E-4	Q5563	H-6		
IC5404	D-5	Q5564	H-6		
IC5405	E-6	Q5565	D-6		
IC5562	G-5	Q5600	I-3		
IC5660	G-1	Q5601	I-3		
IC8001	F-3	Q5602	I-4		
IC8201	G-3	Q5603	H-4		
IC8202	G-3	Q5691	G-4		
IC8203	F-4	Q8401	H-5		
IC8204	F-4	Q8402	H-5		
IC8403	H-5	Q8802	D-3		
IC8408	H-5	Q8850	H-2		
IC8502	I-3	Q8851	H-1		
IC8601	G-2	Q8852	G-2		
IC8620	H-2	Q8853	G-2		
IC8621	I-2				
IC8950	I-6				
IC8970	C-5				

TH-58PY850M/MR/MS, PZ850A  
A-BOARD PARTS LOCATION

**A-BOARD (COMPONENT SIDE)**  
**TXN/A1RETA(A) TXN/A1RETM(M/MR) TXN/A1RETQ(MS)**



TH-58PZ850A  
A-BOARD TXN/A1RETA

TH-58PY850M/MR  
A-BOARD TXN/A1RETM

TH-58PY850MS  
A-BOARD TXN/A1RETQ

TH-58PZ850A  
A-BOARD TXN/A1RETA

TH-58PY850M/MR  
A-BOARD TXN/A1RETM

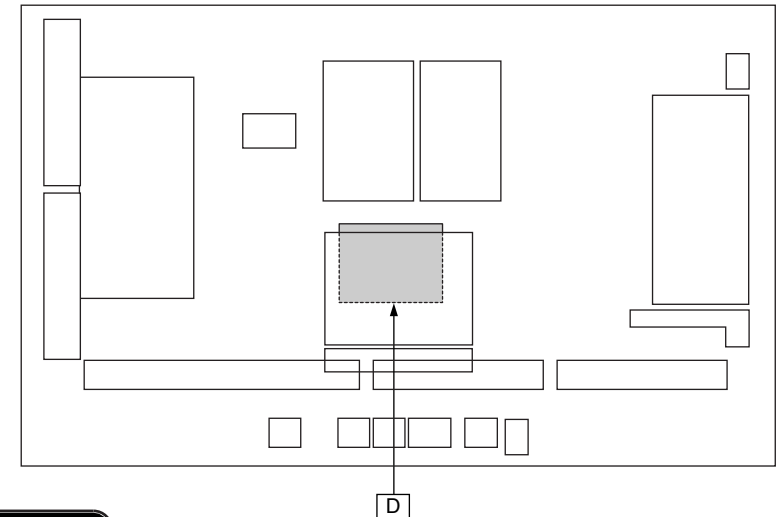
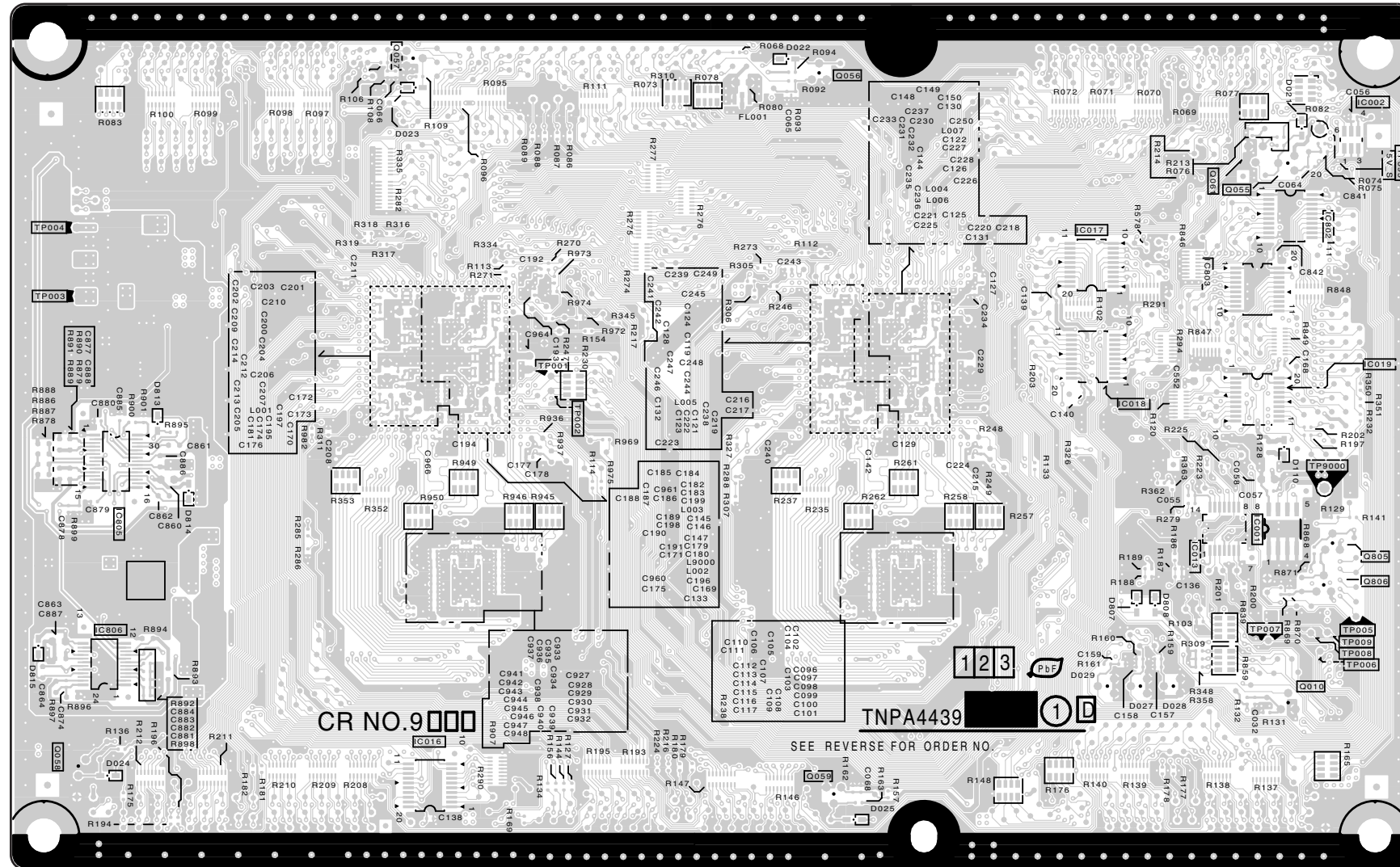
TH-58PY850MS  
A-BOARD TXN/A1RETQ

A B C D E F G H I

# 12.7. D-Board

6  
5  
4  
3  
2  
1  
A B C D E F G H I

**D-BOARD (FOIL SIDE)  
TZTNP01RETM**



**Parts Location**

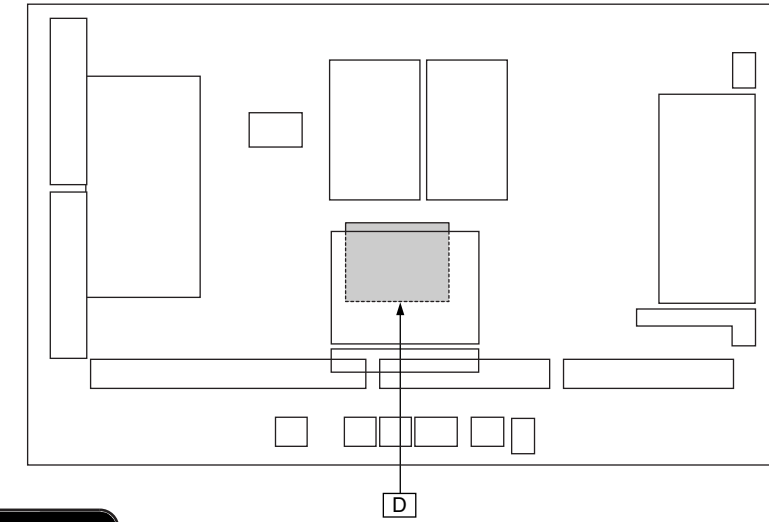
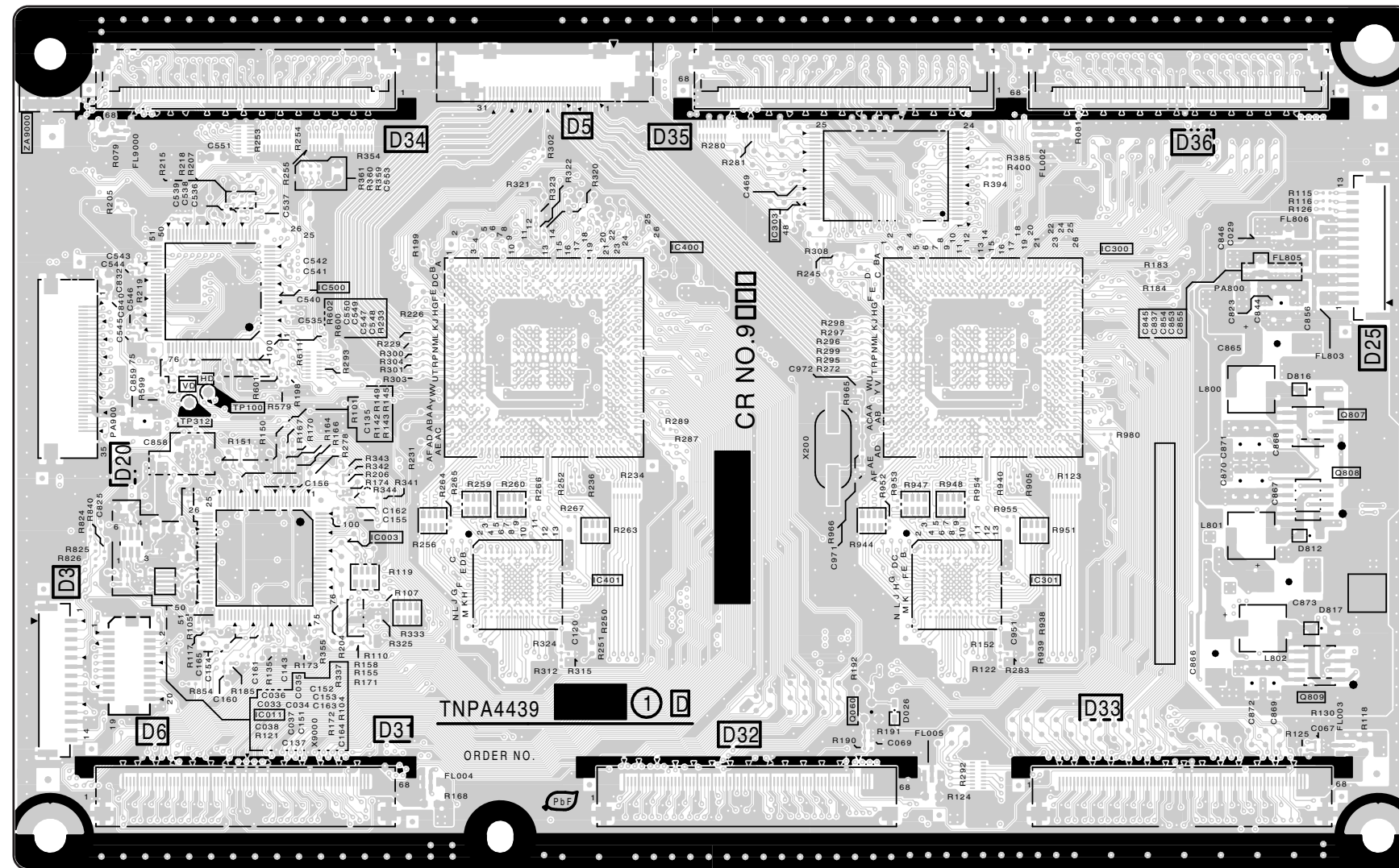
D-BOARD (FOIL SIDE)			
IC		TEST POINT	
IC9001	F-2	TP9000	F-3
IC9002	F-4	TP9001	C-3
IC9013	F-2	TP9002	C-3
IC9016	C-2	TP9003	A-3
IC9017	E-3	TP9004	A-4
IC9018	E-3	TP9005	F-2
IC9019	F-3	TP9006	F-2
IC9802	F-4	TP9007	F-2
IC9803	F-3	TP9008	F-2
IC9805	A-2	TP9009	F-2
IC9806	A-2	TP9395	G-4
TRANSISTOR			
Q9010	F-2		
Q9055	F-4		
Q9056	D-4		
Q9057	B-4		
Q9058	A-1		
Q9059	D-1		
Q9061	F-4		
Q9805	F-2		
Q9806	F-2		

TH-58PY850M/MR/MS, PZ850A  
D-BOARD TZTNP01RETM

TH-58PY850M/MR/MS, PZ850A  
D-BOARD TZTNP01RETM

6  
5  
4  
3  
2  
1  
A B C D E F G H I

**D-BOARD (COMPONENT SIDE)  
TZTNP01RETM**



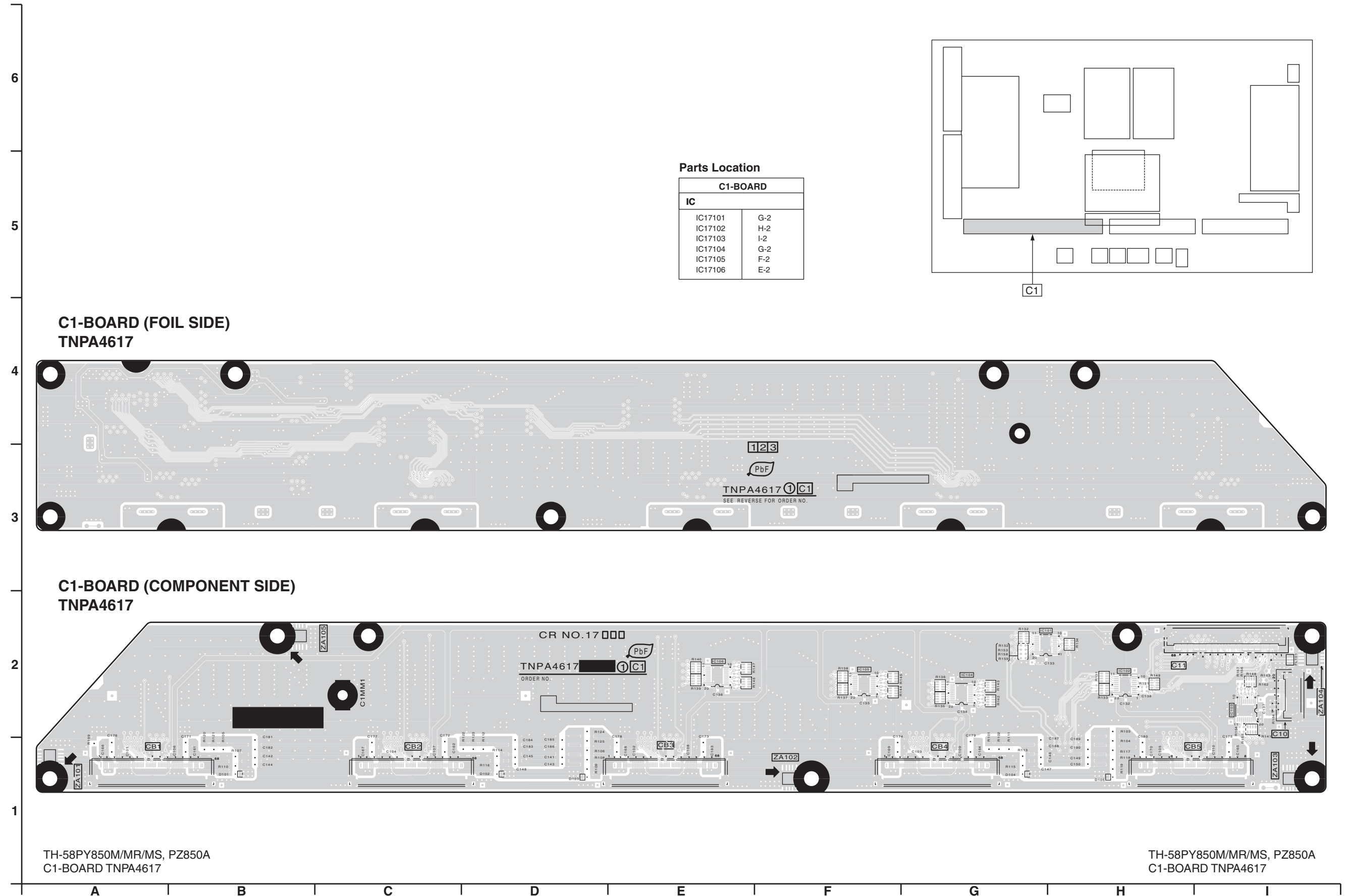
**Parts Location**

D-BOARD (COMPONENT SIDE)			
IC		TRANSISTOR	
IC9000	B-2	Q9060	D-2
IC9011	B-2	Q9807	F-3
IC9300	E-3	Q9808	F-2
IC9301	E-2	Q9809	F-2
IC9303	D-4	<b>TEST POINT</b>	
IC9400	C-3		
IC9401	C-2	TP9100	B-3
IC9500	B-3	TP9312	A-3

TH-58PY850M/MR/MS, PZ850A  
D-BOARD TZTNP01RETM

TH-58PY850M/MR/MS, PZ850A  
D-BOARD TZTNP01RETM

# 12.8. C1-Board



**Parts Location**

C1-BOARD	
IC	
IC17101	G-2
IC17102	H-2
IC17103	I-2
IC17104	G-2
IC17105	F-2
IC17106	E-2

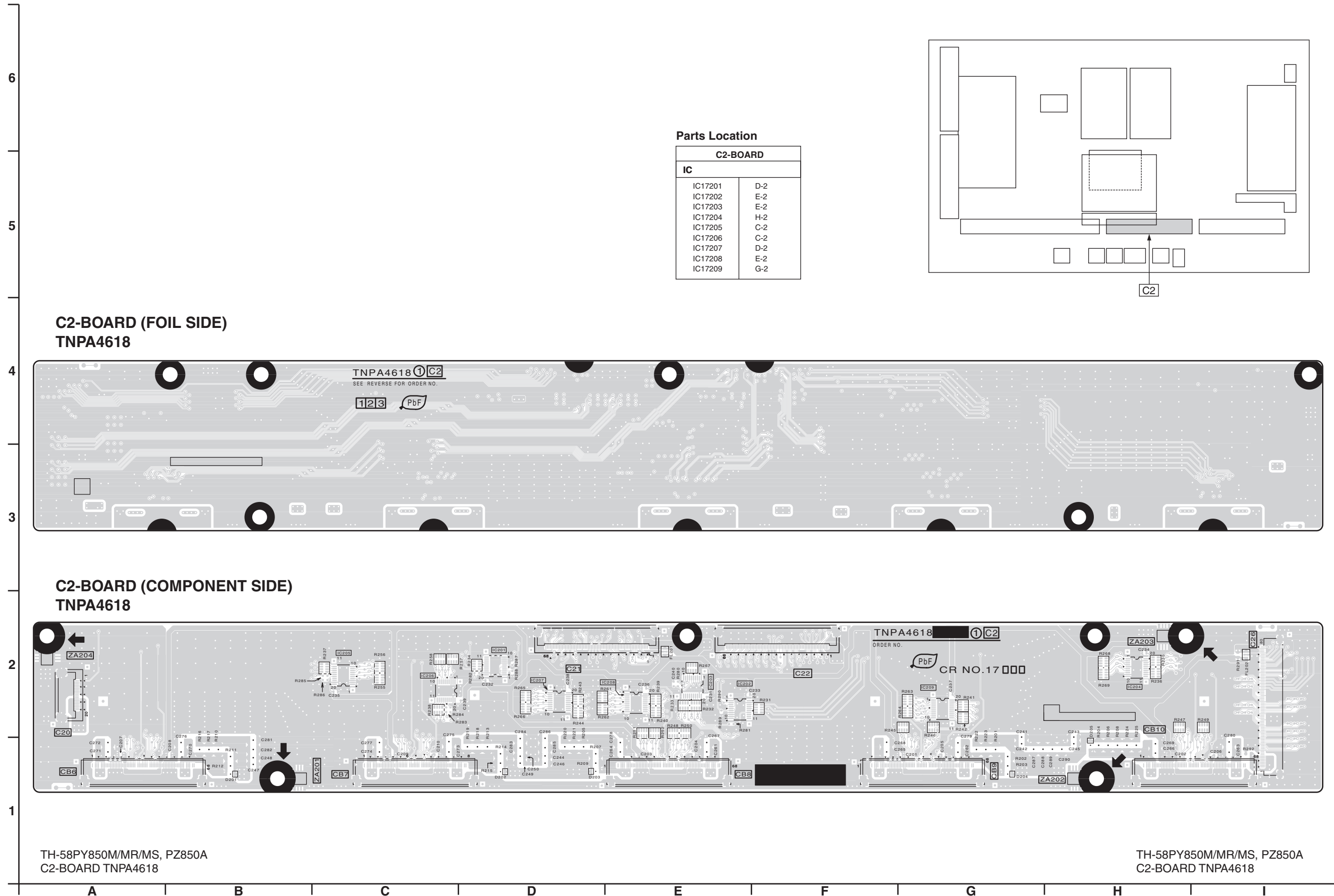
**C1-BOARD (FOIL SIDE)  
TNPA4617**

**C1-BOARD (COMPONENT SIDE)  
TNPA4617**

TH-58PY850M/MR/MS, PZ850A  
C1-BOARD TNPA4617

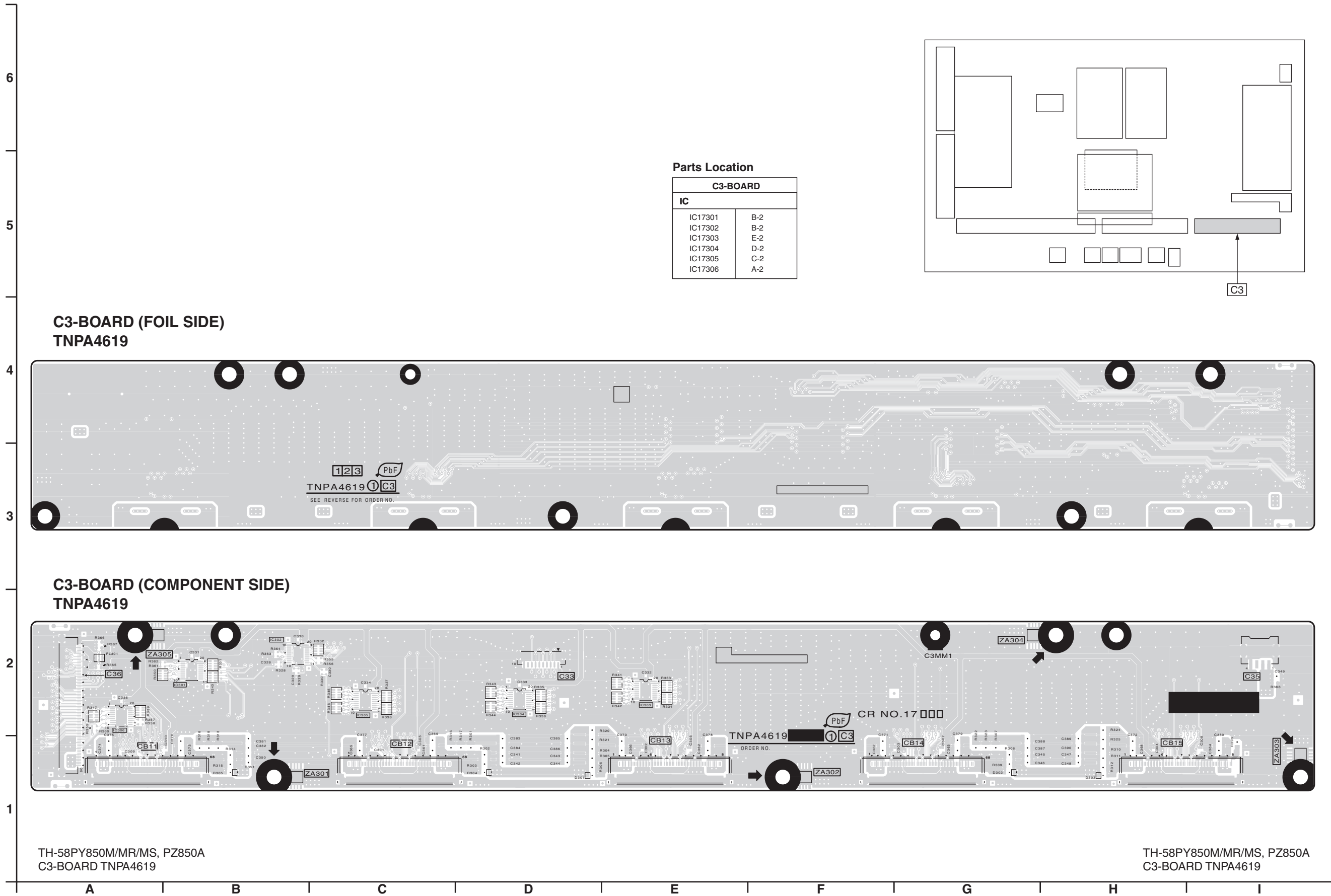
TH-58PY850M/MR/MS, PZ850A  
C1-BOARD TNPA4617

# 12.9. C2-Board





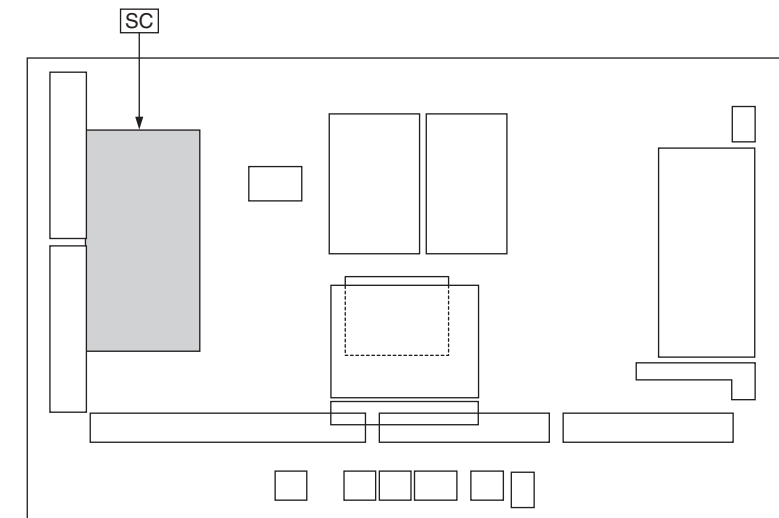
# 12.10. C3-Board



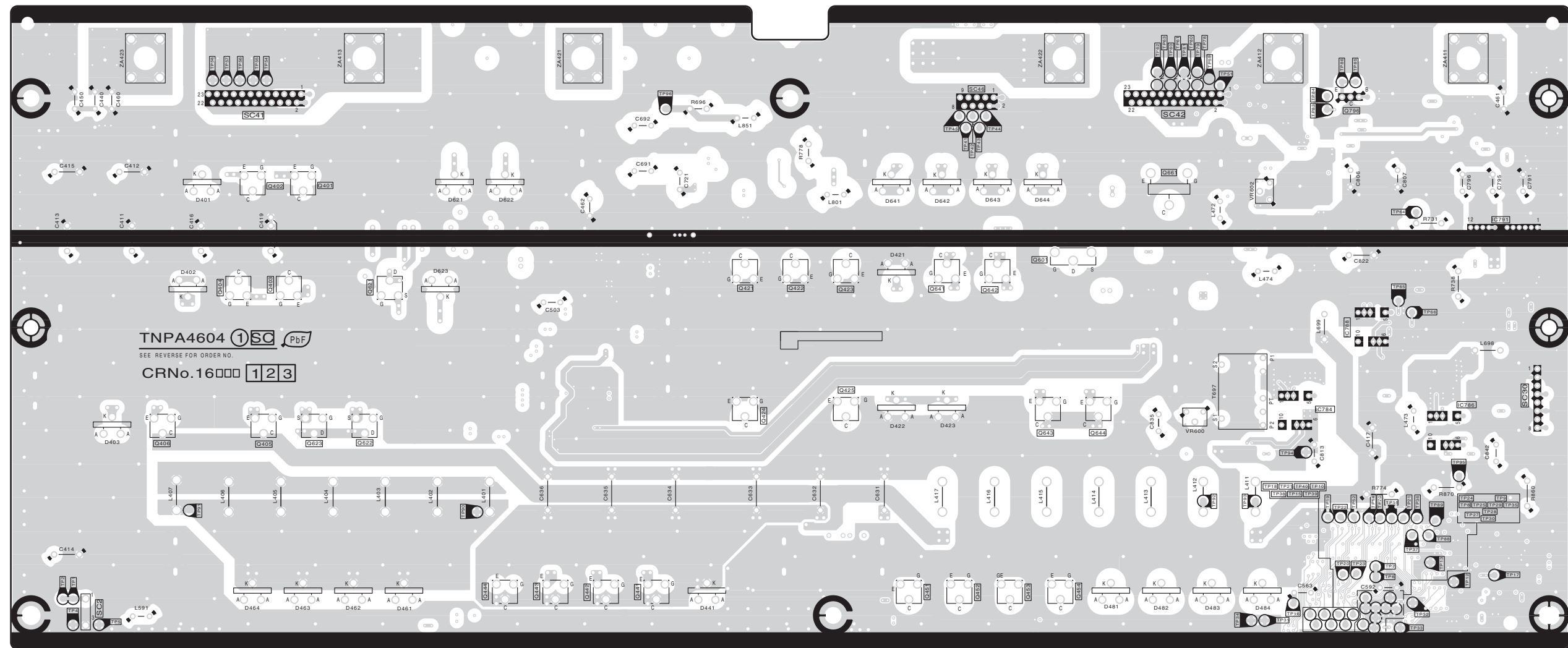
# 12.11. SC-Board

## Parts Location

IC		TEST POINT		SC-BOARD (FOIL SIDE)								VOLUME	
IC16784	H-2	Q16441	D-1	TP19	H-2	TP38	H-2	TP63	G-4	TP94	H-2		
IC16786	I-2	Q16442	D-1	TP20	H-1	TP39	H-2	TP64	H-3	TP95	I-2		
IC16788	H-3	Q16443	D-1	TP21	H-2	TP40	H-2	TP65	H-3	TP96	D-4		
IC16791	I-3	Q16444	C-1	TP22	H-2	TP41	F-4	TP66	I-3				
		Q16451	F-1	TP23	H-1	TP42	F-4	TP70	H-2				
		Q16452	F-1	TP4	A-1	TP24	I-2	TP78	G-4				
		Q16453	F-1	TP5	A-1	TP25	I-2	TP79	G-4				
		Q16454	G-1	TP6	H-1	TP26	I-2	TP80	G-4				
		Q16601	G-3	TP7	H-1	TP27	I-2	TP81	G-4				
		Q16621	C-3	TP8	I-2	TP28	I-2	TP83	H-4				
		Q16622	C-2	TP9	I-2	TP29	I-2	TP84	H-4				
		Q16623	B-2	TP10	H-2	TP30	I-2	TP85	H-4				
		Q16641	F-3	TP11	H-2	TP31	H-1	TP86	H-4				
		Q16642	F-3	TP12	I-1	TP32	I-1	TP88	I-1				
		Q16643	G-2	TP13	H-2	TP33	I-1	TP89	I-2				
		Q16644	G-2	TP14	H-2	TP34	H-1	TP90	C-2				
		Q16661	G-3	TP15	H-1	TP35	I-2	TP91	B-2				
		Q16796	H-4	TP16	H-1	TP36	I-2	TP92	G-2				
				TP17	I-1	TP37	I-1	TP93	H-2				
				TP18	H-2								



## SC-BOARD (FOIL SIDE) TNPA4604AB

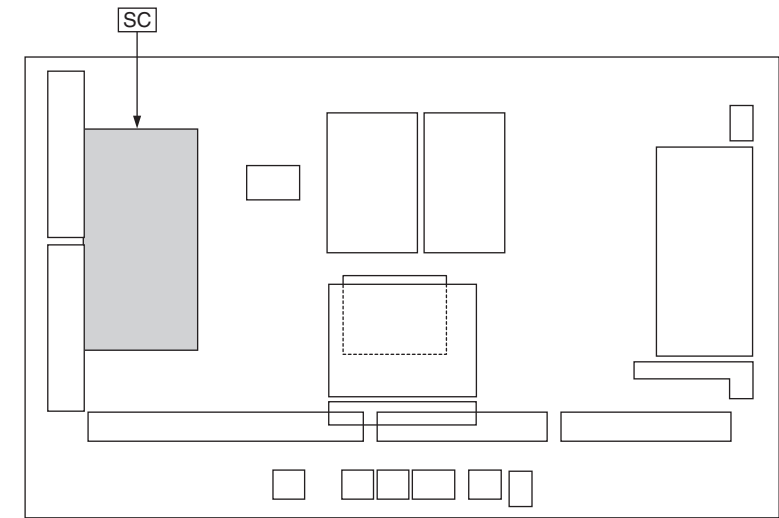


TH-58PY850M/MR/MS, PZ850A  
SC-BOARD TNPA4604AB

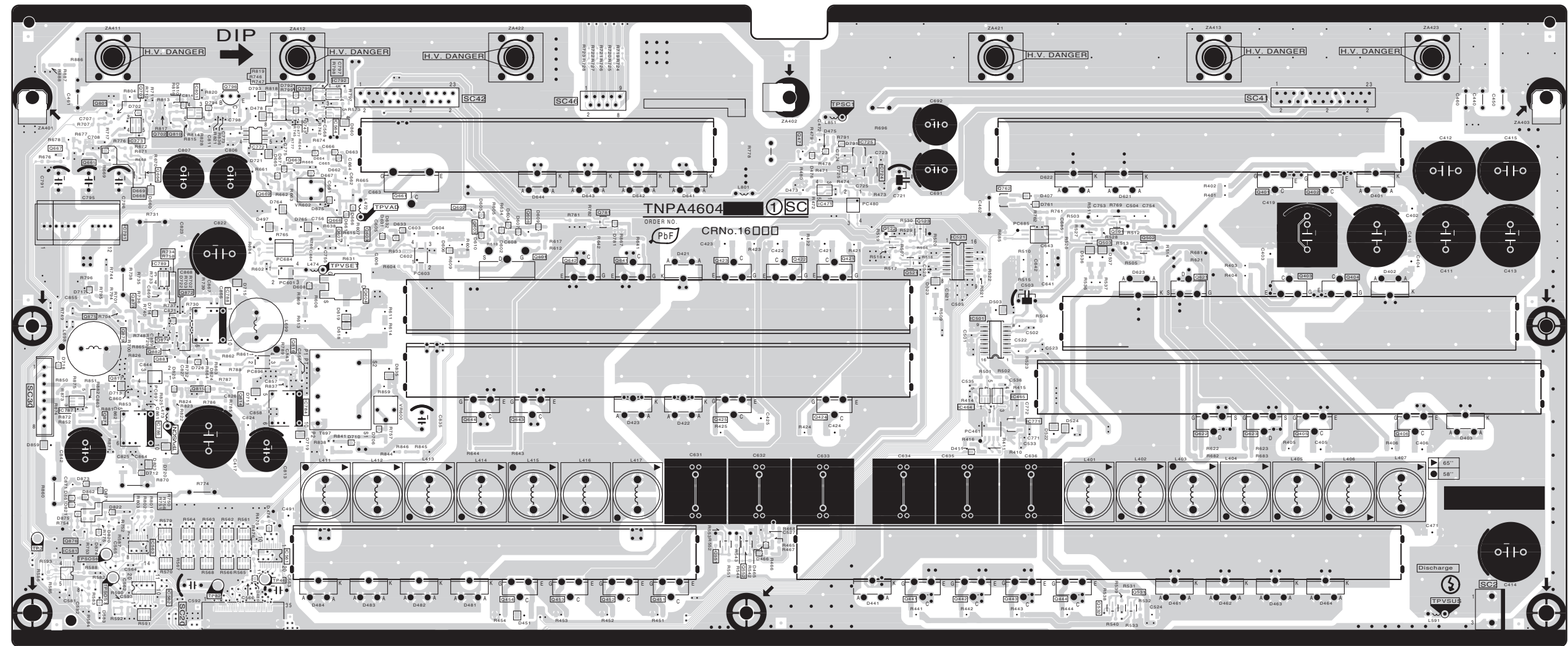
TH-58PY850M/MR/MS, PZ850A  
SC-BOARD TNPA4604AB

Parts Location

SC-BOARD (COMPONENT SIDE)													
<b>IC</b>		IC16787	A-2	<b>TRANSISTOR</b>		Q16453	D-1	Q16609	C-3	Q16781	D-3	<b>TEST POINT</b>	
IC16464	F-2	IC16788	B-3	Q16401	H-3	Q16454	D-1	Q16621	G-3	Q16795	B-4	TP3	A-1
IC16465	F-2	IC16789	B-3	Q16402	H-3	Q16471	E-4	Q16622	G-2	Q16796	B-4	TP46	B-1
IC16471	E-3	IC16791	A-3	Q16403	H-3	Q16501	G-3	Q16623	H-2	Q16801	A-4	TP82	B-1
IC16501	F-3	IC16792	C-4	Q16404	H-3	Q16502	G-3	Q16641	D-3	Q16810	B-4	TPSC1	E-4
IC16521	F-3	IC16801	B-4	Q16405	H-2	Q16503	G-3	Q16642	D-3	Q16814	B-2	TPSOS6	A-1
IC16561	B-1			Q16406	I-2	Q16521	F-3	Q16643	D-2	Q16815	B-2	TPSOS7	A-1
IC16562	B-1	<b>PHOTO COUPLER</b>		Q16421	E-3	Q16522	F-3	Q16644	C-2	Q16816	B-3	TPVAD	C-3
IC16563	A-1	PC16461	F-2	Q16422	E-3	Q16531	G-1	Q16662	B-3	Q16817	A-2	TPVSCN	B-2
IC16564	C-4	PC16480	E-3	Q16423	E-3	Q16532	G-1	Q16663	B-4	Q16872	B-3	TPVSET	C-3
IC16581	A-1	PC16601	B-3	Q16424	E-2	Q16551	E-1	Q16664	B-4	Q16873	A-3	TPVSUS	I-1
IC16724	F-4	PC16603	C-3	Q16425	E-2	Q16552	E-1	Q16665	A-4	Q16874	B-3		
IC16725	E-4	PC16684	B-3	Q16441	F-1	Q16601	D-3	Q16666	C-3	Q16875	A-3		
IC16771	F-2	PC16685	F-3	Q16442	F-1	Q16602	C-3	Q16667	A-4	Q16876	A-1		
IC16772	E-4	PC16896	B-2	Q16443	F-1	Q16603	C-3	Q16701	A-4	Q16879	A-3		
IC16773	A-4	PC16897	B-2	Q16444	G-1	Q16604	C-3	Q16702	B-4	Q16881	B-2		
IC16784	B-2			Q16451	D-1	Q16606	D-3	Q16743	B-4	Q16882	B-3		
IC16786	B-2			Q16452	D-1	Q16607	C-3	Q16762	F-3				
												<b>VOLUME</b>	
												VR16600	B-3
												VR16602	C-2



SC-BOARD (COMPONENT SIDE)  
TNPA4604AB

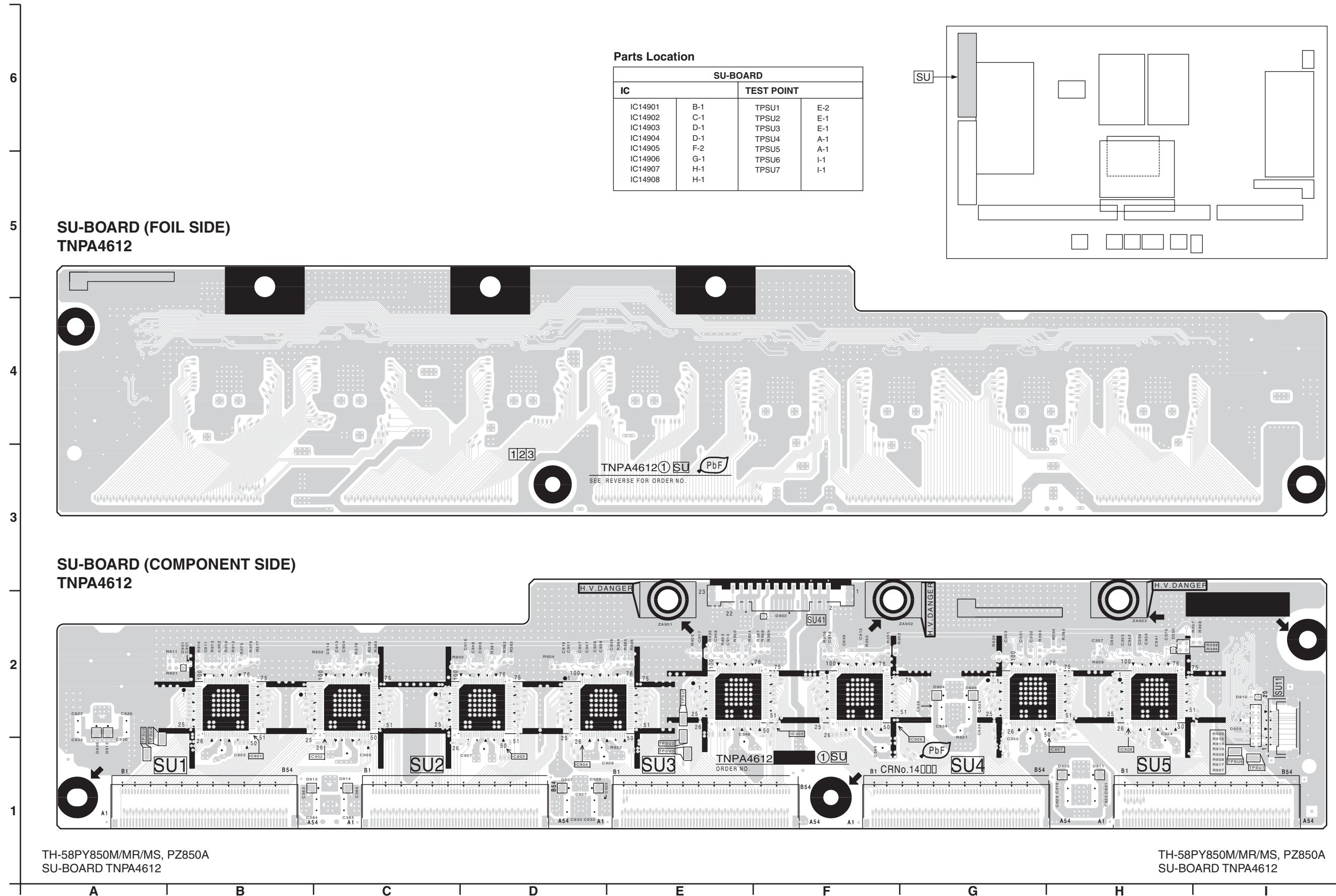


TH-58PY850M/MR/MS, PZ850A  
SC-BOARD TNPA4604AB

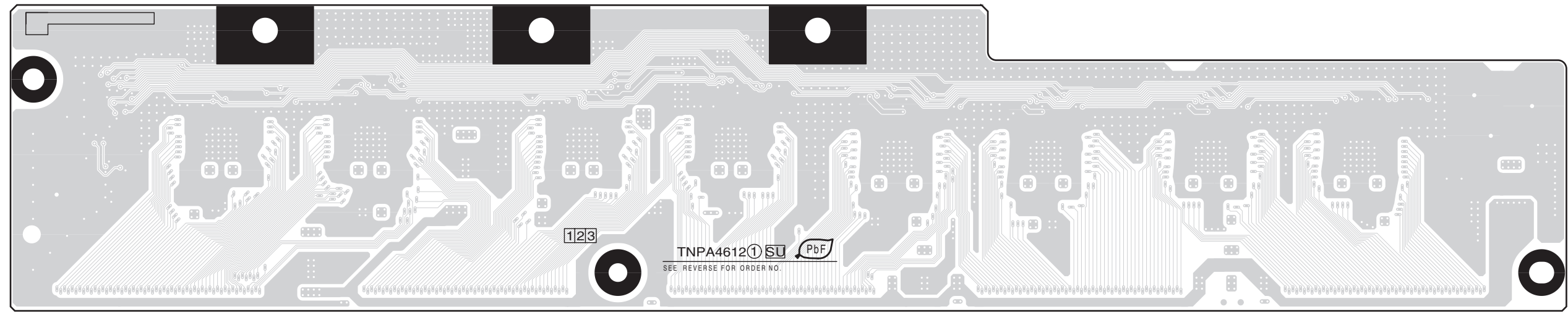
TH-58PY850M/MR/MS, PZ850A  
SC-BOARD TNPA4604AB

A | B | C | D | E | F | G | H | I

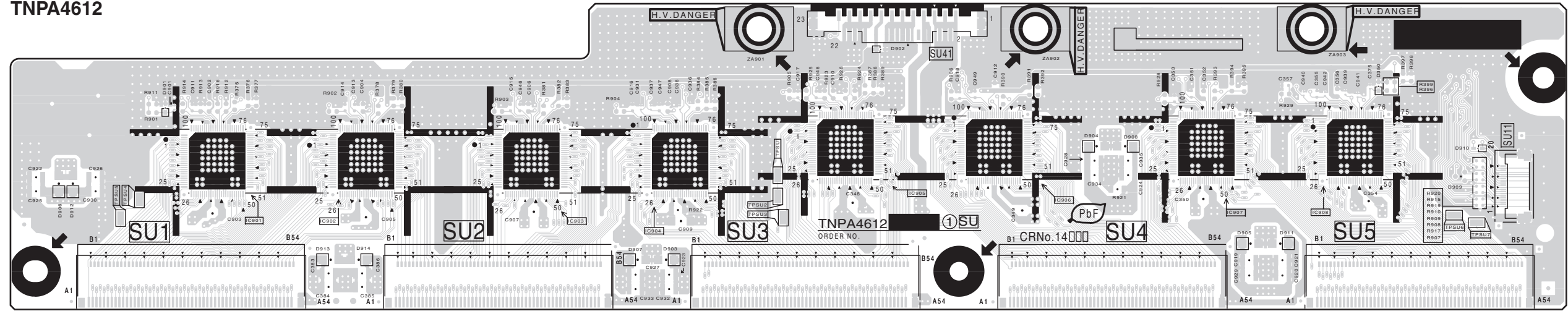
# 12.12. SU-Board



SU-BOARD (FOIL SIDE)  
TNPA4612



SU-BOARD (COMPONENT SIDE)  
TNPA4612



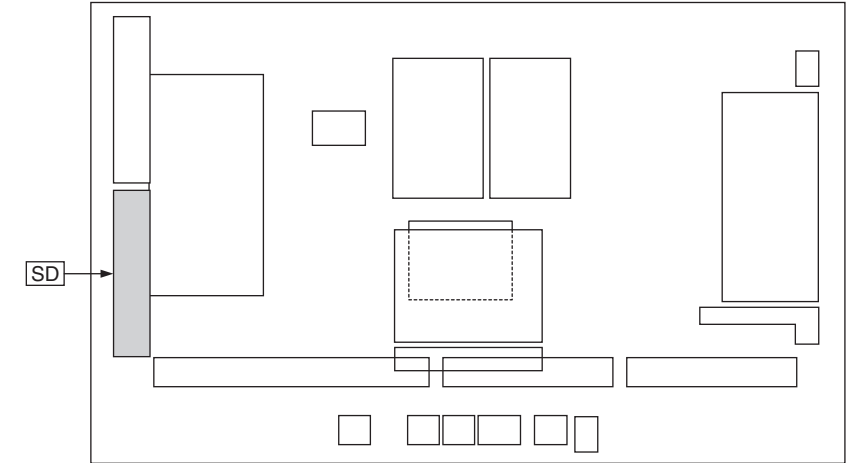
TH-58PY850M/MR/MS, PZ850A  
SU-BOARD TNPA4612

TH-58PY850M/MR/MS, PZ850A  
SU-BOARD TNPA4612

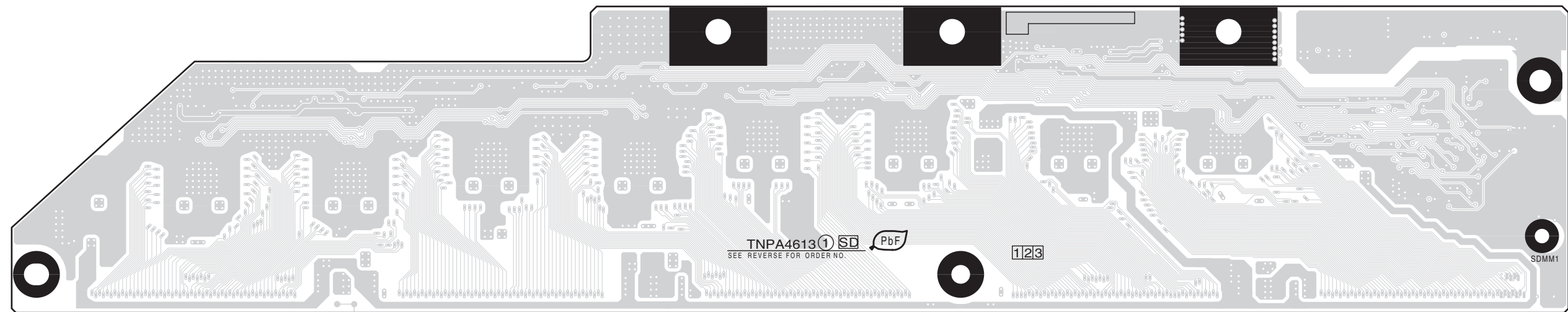
# 12.13. SD-Board

## Parts Location

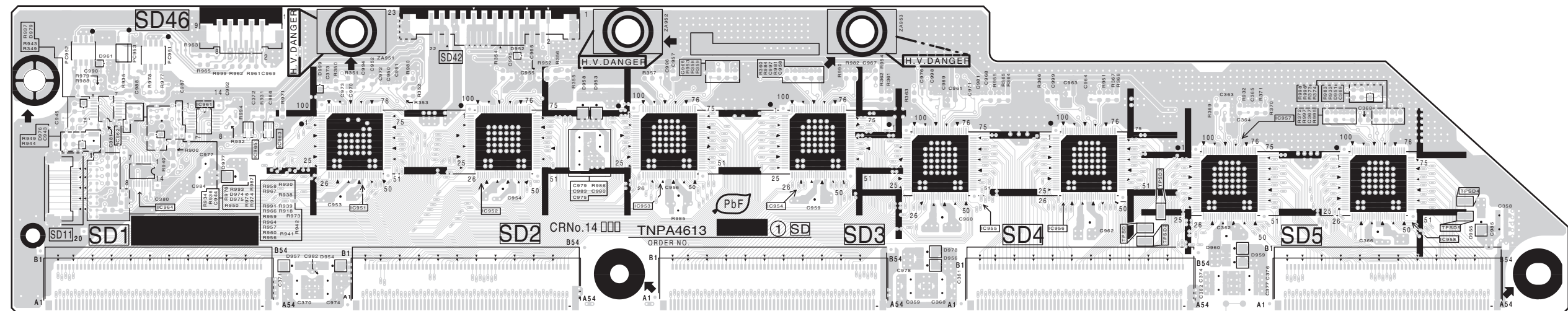
SD-BOARD			
IC		TEST POINT	
IC14951	C-1	TPSD1	G-1
IC14952	C-1	TPSD2	G-1
IC14953	D-1	TPSD3	G-2
IC14954	E-1	TPSD4	I-2
IC14955	F-1	TPSD5	I-1
IC14956	G-1		
IC14957	H-2		
IC14958	I-1		
IC14961	B-2		
IC14962	A-2		
IC14963	B-2		
IC14964	B-1		
IC14965	B-2		



SD-BOARD (FOIL SIDE)  
TNPA4613



SD-BOARD (COMPONENT SIDE)  
TNPA4613



TH-58PY850M/MR/MS, PZ850A  
SD-BOARD TNPA4613

TH-58PY850M/MR/MS, PZ850A  
SD-BOARD TNPA4613

A

B

C

D

E

F

G

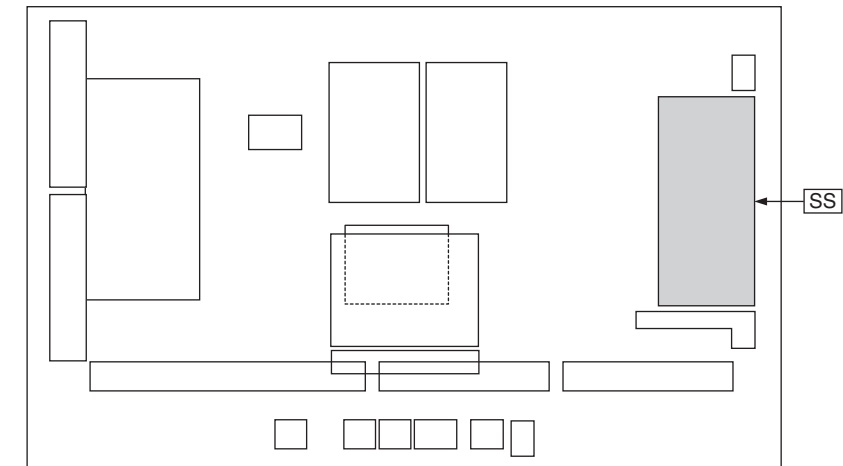
H

I

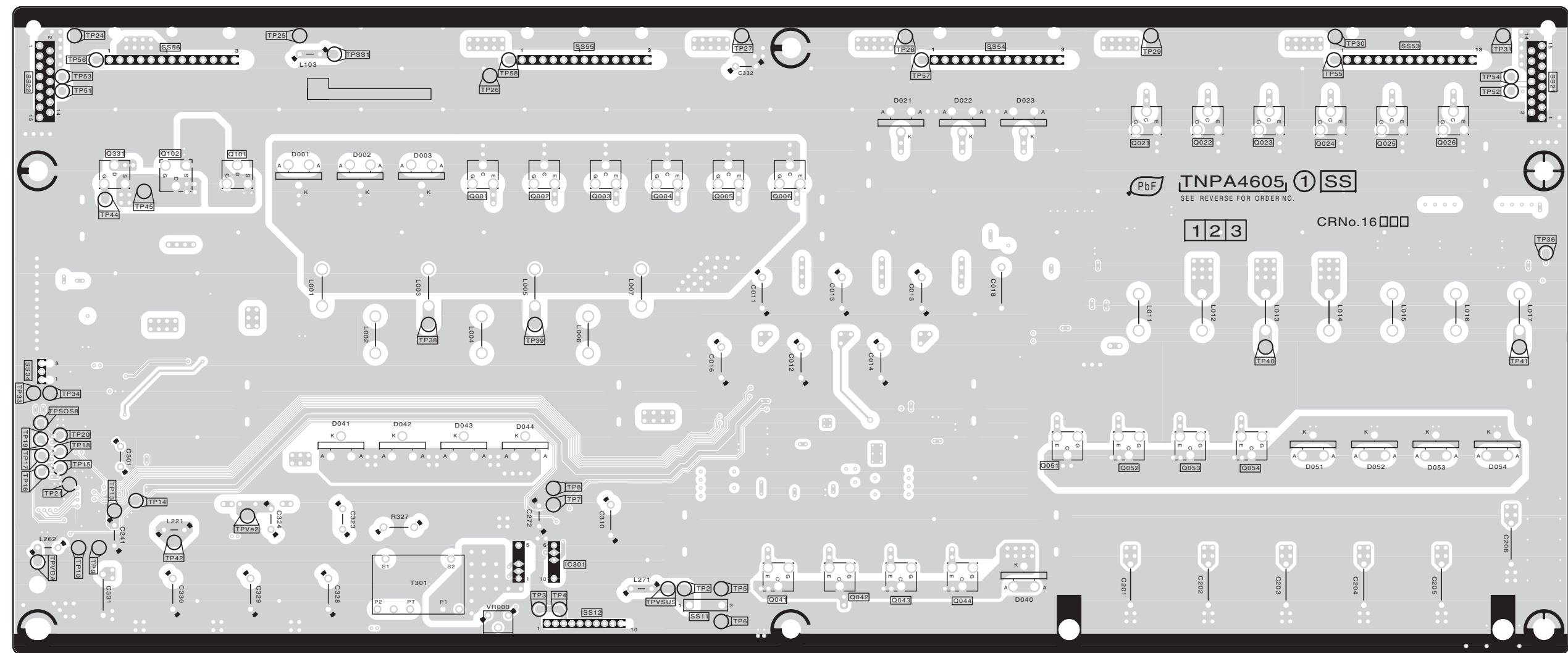
# 12.14. SS-Board

## Parts Location

IC		SS-BOARD (FOIL SIDE)							
IC16301	D-1	Q16043	F-1	TP7	D-2	TP29	G-4	TP56	A-4
TRANSISTOR		Q16044	F-1	TP8	D-2	TP30	I-4	TP57	F-4
Q16001	C-3	Q16051	G-2	TP9	A-1	TP31	I-4	TP58	D-4
Q16002	D-3	Q16052	G-2	TP10	A-1	TP33	A-3	TPSOS8	A-3
Q16003	D-3	Q16053	G-2	TP13	A-3	TP34	A-3	TPSS1	C-4
Q16004	D-3	Q16054	H-2	TP14	B-2	TP36	I-3	TPVDA	A-1
Q16005	E-3	Q16101	B-4	TP15	A-3	TP38	C-3	TPV62	B-2
Q16006	E-3	Q16102	B-4	TP16	A-3	TP39	D-3	TPVSUS	D-1
Q16021	G-4	Q16122	G-4	TP17	A-3	TP40	H-3	VOLUME	
Q16023	I-4	Q16331	A-4	TP18	A-3	TP41	I-3	VR16000	C-1
Q16024	I-4	TEST POINT		TP19	A-3	TP42	B-1		
Q16025	I-4	TP2	E-1	TP20	A-3	TP44	A-3		
Q16026	I-4	TP3	D-1	TP21	A-3	TP45	A-3		
Q16041	E-1	TP4	D-1	TP24	A-4	TP51	A-4		
Q16042	E-1	TP5	E-1	TP25	B-4	TP52	I-4		
		TP6	E-1	TP26	C-4	TP53	A-4		
				TP27	E-4	TP54	I-4		
				TP28	F-4	TP55	I-4		



## SS-BOARD (FOIL SIDE) TNPA4605AB



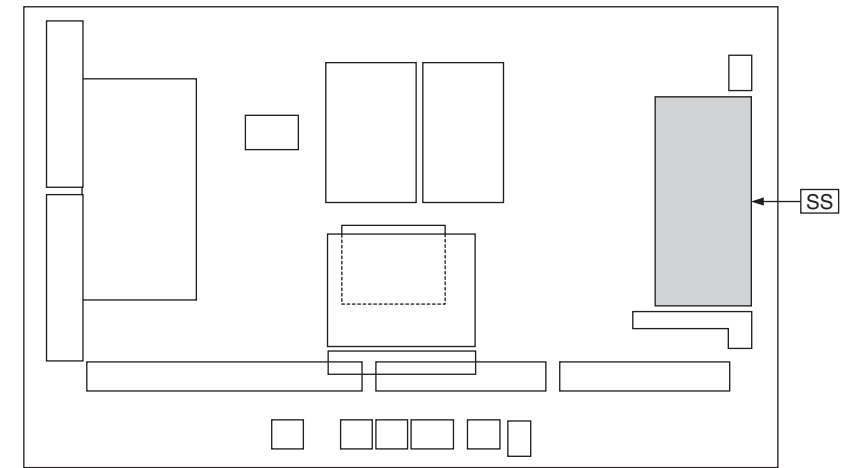
TH-58PY850M/MR/MS, PZ850A  
SS-BOARD TNPA4605AB

TH-58PY850M/MR/MS, PZ850A  
SS-BOARD TNPA4605AB

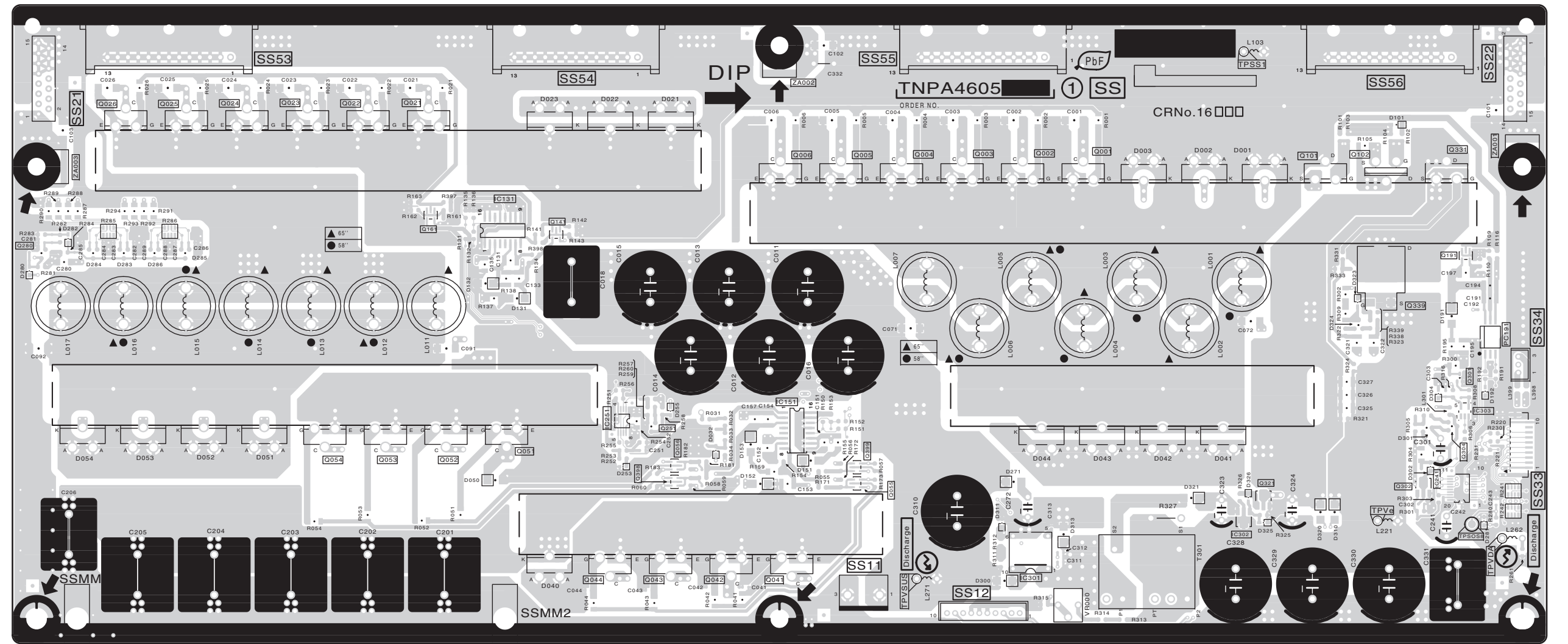
6  
5  
4  
3  
2  
1  
A B C D E F G H I

**Parts Location**

SS-BOARD (COMPONENT SIDE)							
<b>IC</b>		Q16005	F-4	Q16101	H-4	<b>TEST POINT</b>	
IC16131	D-3	Q16006	E-4	Q16102	H-4	TPS0S8	I-1
IC16151	E-2	Q16021	C-4	Q16141	D-3	TPSS1	H-4
IC16241	I-2	Q16022	C-4	Q16161	C-3	TPVDA	I-1
IC16251	D-2	Q16023	B-4	Q16191	I-3	TPVe	H-2
IC16301	G-1	Q16024	B-4	Q16251	D-2	TPVSUS	F-1
IC16302	H-1	Q16025	B-4	Q16280	A-3		
IC16303	I-2	Q16026	A-4	Q16301	I-2		
		Q16041	E-1	Q16302	I-2	<b>VOLUME</b>	
<b>PHOTO COUPLER</b>		Q16042	E-1	Q16304	I-2	VR16000	G-1
PC16191	I-3	Q16043	D-1	Q16321	H-2		
		Q16044	D-1	Q16331	I-3		
<b>TRANSISTOR</b>		Q16051	D-2	Q16339	I-3		
Q16001	G-4	Q16052	C-2	Q16398	D-2		
Q16002	G-4	Q16053	C-2	Q16399	F-2		
Q16003	F-4	Q16054	C-2				
Q16004	F-4	Q16055	F-2				
		Q16056	E-2				



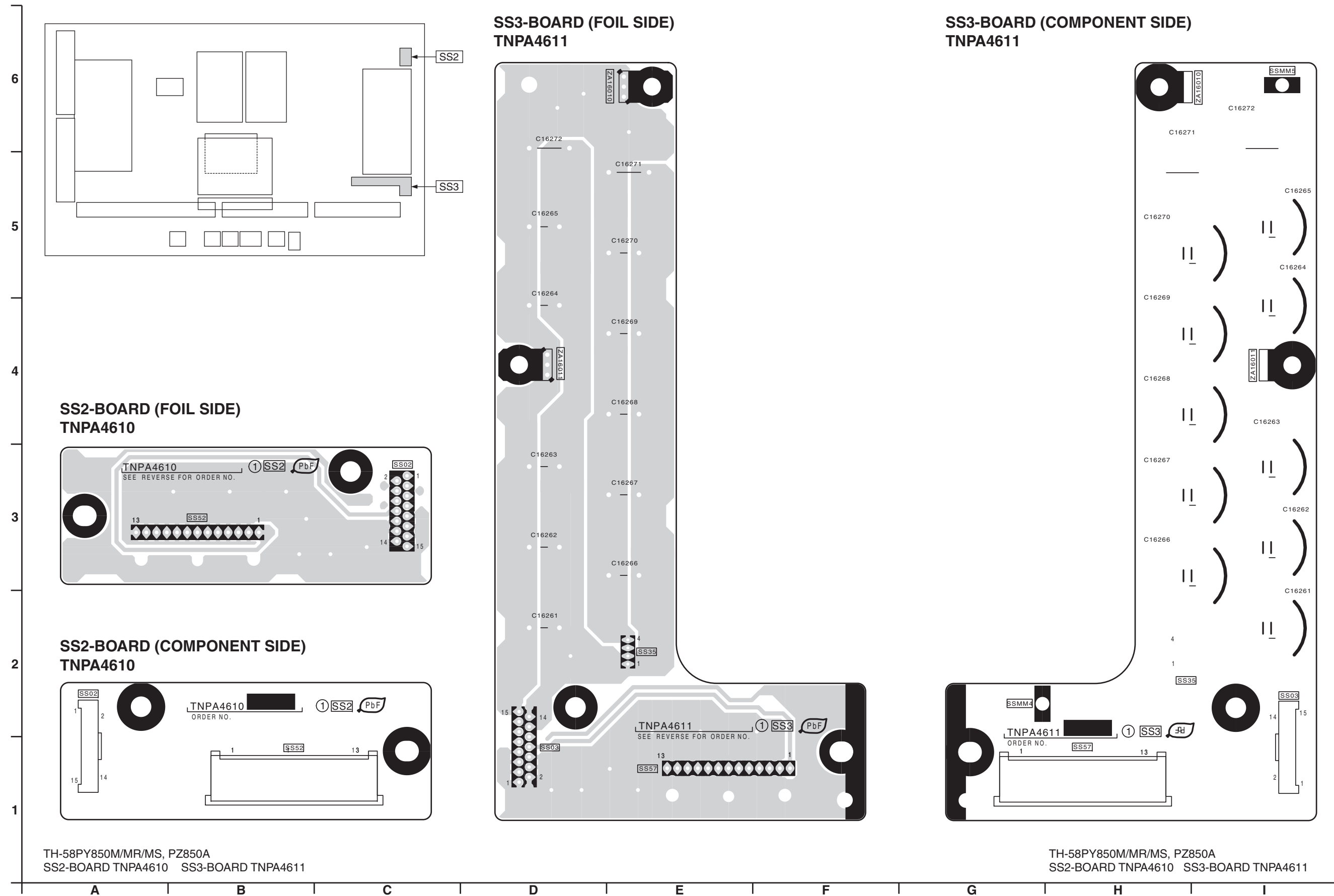
**SS-BOARD (COMPONENT SIDE)  
TNPA4605AB**



TH-58PY850M/MR/MS, PZ850A  
SS-BOARD TNPA4605AB

TH-58PY850M/MR/MS, PZ850A  
SS-BOARD TNPA4605AB

## 12.15. SS2 and SS3-Board

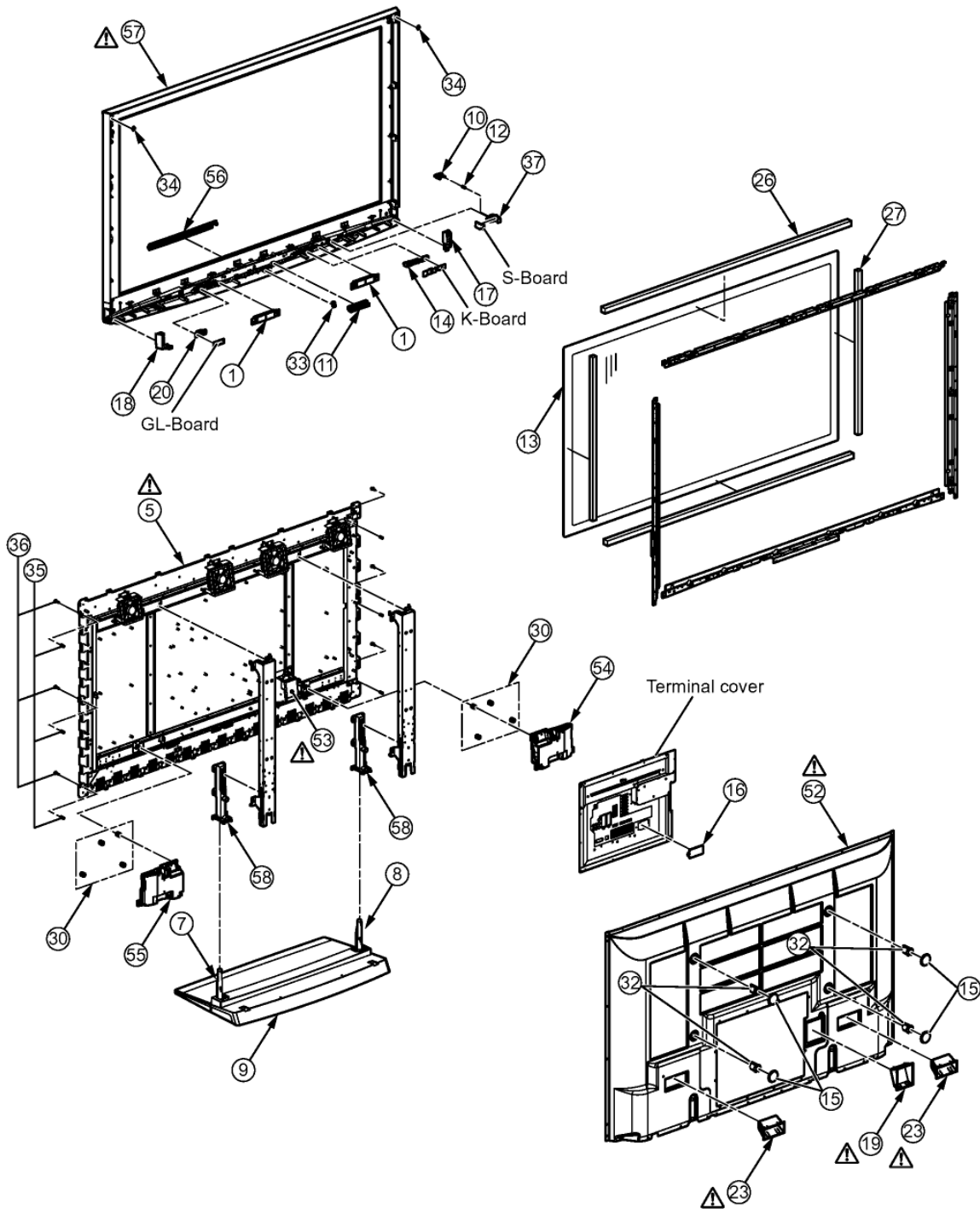




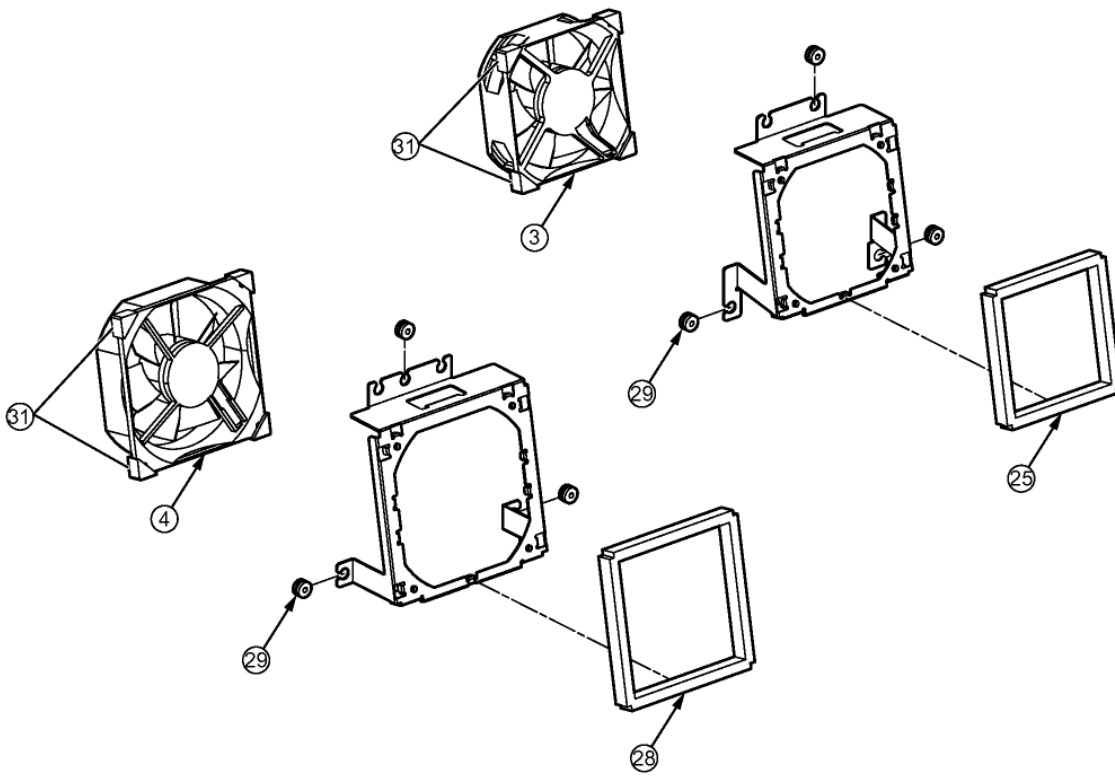
# 13 Exploded View and Replacement Parts List

## 13.1. Exploded View and Mechanical Replacement Parts List

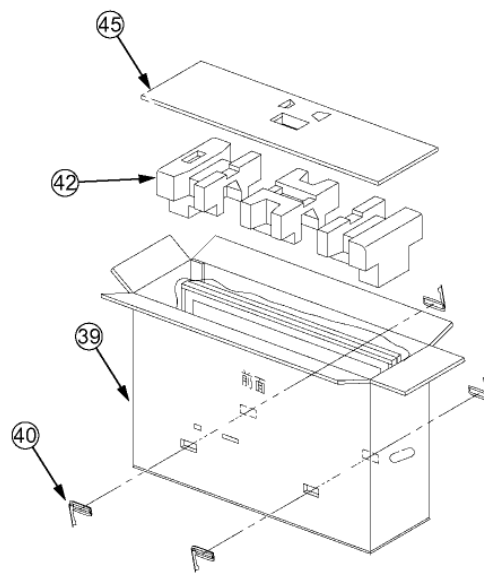
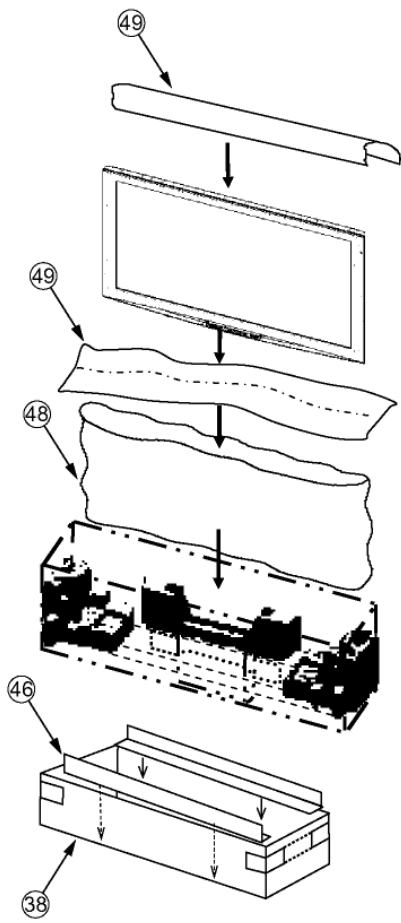
### 13.1.1. Exploded View



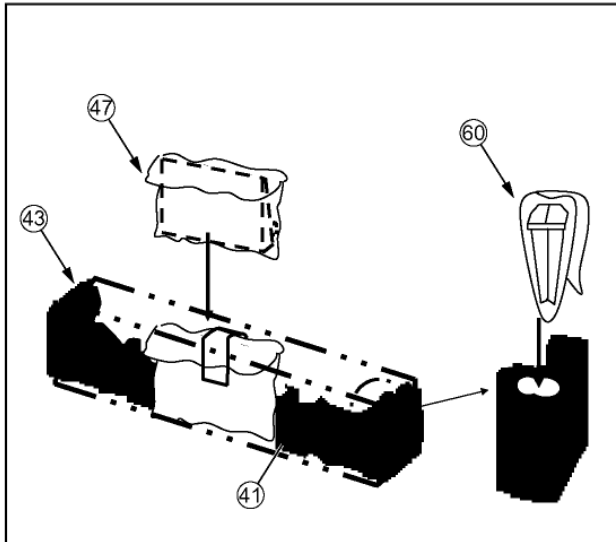
### 13.1.2. Fan part location



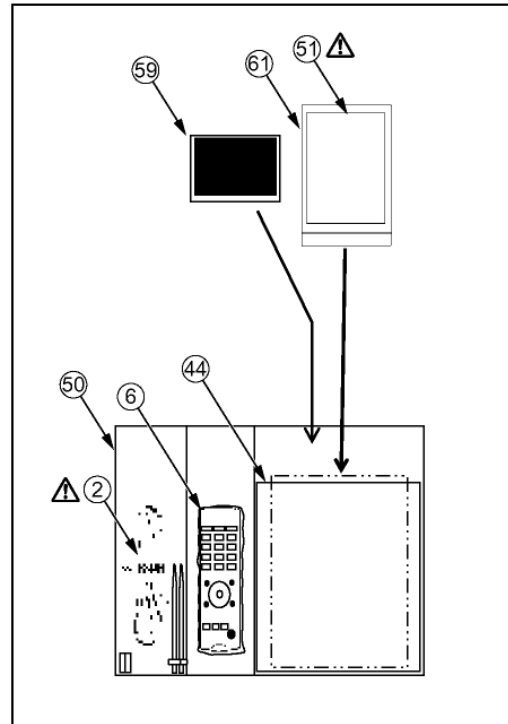
### 13.1.3. Accessories







BACK SIDE VIEW



ACCESSORY



Safety	Ref. No.	Part No.	Part Name & Description	Q'ty	Remarks
	1	EAS10D85J	SQUAWKER SPEAKER (LEFT&RIGHT)	2	
	2	K2CK3DH00029	AC CORD	1	A
	2	K2CN3DH00006	AC CORD	1	MR
	2	K2CT3YY00013	AC CORD	1	M/MS
	3	L6FAYYYH0052	FAN (92MM)	2	
	4	L6FAYYYH0095	FAN UNIT(80MM)	2	
	5	MD58F11A1J	PLASMA DISPLAY PANEL	1	
	6	N2QAYB000120	REMOTE CONTROL	1	M/MR/MS
	6	N2QAYB000122	REMOTE CONTROL	1	A
	7	TBLA3632	STAND POLE RIGHT	1	
	8	TBLA3633	STAND POLE LEFT	1	
	9	TBLX0080	PEDESTAL STAND	1	
	10	TBXA53801	POWER BUTTON	1	A
	10	TBXA53803	POWER BUTTON	1	M/MR/MS
	11	TBXA53902	SELECTION BUTTON	1	
	12	TESD078	BUTTON SPRING	1	
		THEJ016J	SCREW(AC INRET:2)	2	
		THEL0429	SCREW	13	
		THEL065Z	SCREW(BC TOP:5)	5	
		THEL068N	SCREW(STAND-TV)	4	
		THTD013N	SCREW	12	
		THTF011N	SCREW	71	
	13	TKGA5468	FRONT GLASS	1	
	14	TKKC5325	LED PANEL	1	M/MR/MS
	14	TKKC5336	LED PANEL	1	A
	15	TKKL5231-3	M8 SPACER CAP	4	
	16	TKKL5383	ADJUSTMENT COVER	1	
	17	TKKL5453	CORNER PROTECTION LEFT	1	
	18	TKKL5454	CORNER PROTECTION RIGHT	1	
	19	TKPB13101	INLET COVER	1	
	20	TKPB23701	SD PANEL LIGHT	1	
		TKPB30401	TUNER COVER	1	
	23	TKRA52502A	REAR COVER HANDLE	2	
	25	TMKG669	FAN SPONGE	2	
	26	TMKG683	CUSHION(UPPER/BOTTOM)	2	
	27	TMKG684	CUSHION(LEFT/RIGHT)	2	
	28	TMKG685	SPONGE(FAN)	2	
		TMM16473-1	CLAMPER	1	
		TMM17499	CLAMPER	3	
		TMM6428-1	CLAMPER	1	
		TMM7464-2	CLAMPER	3	
		TMME190	CLAMPER	15	
		TMME260	CLAMPER	1	

Safety	Ref. No.	Part No.	Part Name & Description	Q'ty	Remarks	
		TMME285	CLAMPER	2		
		TMME287	CLAMPER	8		
		TMME289	CLAMPER	2		
		TMME292	CLAMPER	20		
		TMME293	CLAMPER	1		
		TMME305	CLAMPER	2		
		TMME335	AL SPACER	2		
	29	TMMJ068	RUBBER(FAN)	12		
	30	TMMJ070	SPEAKER RUBBER	8		
	31	TMMJ082	SPONGE(FAN CORNER)	16		
	32	TMMX142	M8 SPACER	4		
	33	TMMX226	DOOR SPRING	1		
	34	TMMX234	REAR COVER HOOK	2		
	35	TMMX243	INSULATION SPACER(A)	6		
	36	TMMX244	INSULATION SPACER(B)	6		
	37	TMWC021	POWER BUTTON BRACKET	1		
		TMWX054	SPEAKER SHEET BRACKET	1		
		TMXX045	AC CORD HOLDER	1		
		TMXX047	AC CORD CLAMPER	2	A	
		TMXX054	AC CORD CLAMPER	2	M/MR/MS	
	38	TPCC49001	CARTON BOX BOTTOM	1		
	39	TPCC50501	CARTON BOX TOP	1	M	
	39	TPCC50502	CARTON BOX TOP	1	MR	
	39	TPCC50503	CARTON BOX TOP	1	MS	
	39	TPCC50602	CARTON BOX TOP	1	A	
	40	TPD169487	JOINT	4		
	41	TPDA1903	CUSHION PEDESTAL	1		
	42	TPDA1940	CUSHION TOP	1		
	43	TPDA1941	CUSHION BOTTOM	1		
	44	TPDF2120	ACCESSORIES PAD	1		
	45	TPDF2199	TOP PAD	1		
	46	TPDF2218	L TYPE-REINFORCEMENT BAR	2		
	47	TPEB360	BAG (STAND)	1		
		TPEB362	BAG (SCREW STAND-TV)	1		
	48	TPEH246	PROTECT COVER	1		
	49	TPEH375	PROTECT SHEET	2		
	50	TPEP022	ACCESSORIES BAG	1		
		51	TQBC2307	INSTRUCTION BOOK (ENGLISH)	1	A
		51	TQBC2309	INSTRUCTION BOOK (ENGLISH)	1	M/MR/MS
		51	TQBC2311	INSTRUCTION BOOK (ARABIA)	1	M/MR/MS
		51	TQBC2312	INSTRUCTION BOOK (PERSIAN)	1	MR
		TQZJ017	SCREW USE HANDBILL	1		
		TSXL519	CABLE (C10-C20/SU11-SD11)	2		

Safety	Ref. No.	Part No.	Part Name & Description	Q'ty	Remarks
		TSXL555	CABLE (C26-C36)	1	
		TSXL686	CABLE (SC20-D20)	1	
		TSXL687	CABLE (D31-C11)	1	
		TSXL688	CABLE (D32-C21/D33-C22)	2	
⚠	52	TTUA2002	REAR COVER	1	M
⚠	52	TTUA2003	REAR COVER	1	MR
⚠	52	TTUA2004	REAR COVER	1	MS
⚠	52	TTUA2008	REAR COVER	1	A
⚠	53	TXajs01RETM	AC INLET ASSY	1	
	54	TXFAB01RHTJ	WOOFER BOX ASSY (LEFT)	1	
	55	TXFAB02RHTJ	WOOFER BOX ASSY (RIGHT)	1	
		TXFKN01RHTJ	SPEAKER SHEET ASSY	1	
	56	TXFKP01RETC	DOOR ASSY	1	M/MR/MS
	56	TXFKP01RFTA	DOOR ASSY	1	A
⚠	57	TXFKY01RETAB	CABINET ASSY	1	A
⚠	57	TXFKY01RETMB	CABINET ASSY	1	M/MR/MS
	58	TXFMZ01RETM	STAND BRACKET ASSY	2	
	59	TXFPE01RLTU	CLEANING CLOTH ASSY	1	
		TXJH11RETB	SPEAKER LEAD (H11-SP)	1	
		TXJH12RETB	SPEAKER LEAD (H12-SP)	1	
		XSB3+6FJ	SCREW	3	
		XSB4+8FNK	SCREW	2	
		XTB3+10GFJ	SCREW	5	
		XTB4+12GFJ	SCREW	40	
		XTB4+12GFJK	SCREW	25	
		XTB4+12GFN	TAP SCREW	8	
		XTB4+16GFJ	SCREW	2	
		XTT4+12GFJK	SCREW(BC:27)	27	
		XTV3+10GFJ	SCREW	1	
		XTWT4+Z15DFJ	SCREW(SP BOX)	8	
		XYN3+F8FJ	SCREW	30	
		XYN3+J12FJ	SCREW	45	
		XYN3+J8FJ	SCREW	2	
		XYN4+E8FJ	SCREW	1	
		XYN4+F10FJ	SCREW	6	
		XYN4+F10FJ	SCREW	12	
		XYN4+F14FJ	SCREW	6	
		XYN5+C15FJ	SCREW	8	
		XYN5+F18FN	SCREW (STAND POLE)	4	
		XYN6+F10FJ	SCREW	8	
	60	XZB17X19C03	POLY BAG (STAND POLE)	1	
	61	XZBT6506	POLY BAG (INSTRUCTION BOOK)	1	

13.2. Electrical Replacement Parts List

13.2.1. Replacement Parts List Notes

RTL (Retention Time Limited)

Note: The marking (RTL) indicates that the Retention Time is Limited for this item. After the discontinuation of this assembly in production, the item will continue to be available for a specific period of time. The retention period of availability is dependant on the type of assembly, and in accordance with the laws governing part and product retention. After the end of this period, the assembly will no longer be available.

Abbreviation of part name and description

1. Resistor

2. Capacitor

Example:

Example:

ERD25TJ104 C 100KOHM, J, 1/4W
Type Allowance

ECKF1H103ZF C 0.01UF, Z, 50V
Type Allowance

Table with 2 columns: Type, Allowance. Lists resistor types (Carbon, Fuse, Metal Oxide, Solid, Wire Wound) and their corresponding allowances (±1%, ±2%, ±5%, ±10%, ±20%).

Table with 2 columns: Type, Allowance. Lists capacitor types (Ceramic, Electrolytic, Polyester, Polypropylene, Tantalum) and their corresponding allowances (±0.25pF to ±20pF, +100%, -0%, +80%, -20%).

### 13.2.2. Electrical Replacement Parts List

Safety	Ref. No.	Part No.	Part Name & Description	Pcs	Remarks
A1		K1KA12A00317	12P CONNECTOR	1	
A3		K1KA14A00248	14P CONNECTOR	1	
A5		K1KB31AA0140	31P CONNECTOR	1	
A6		K1KA20AA0009	20P CONNECTOR	1	
A7		K1KA11AA0715	11P CONNECTOR	1	
A8		K1KA06AA0714	6P CONNECTOR	1	
A9		K1KA06AA00508	6P CONNECTOR	1	
A11		K1KA30AA0009	30P CONNECTOR	1	
A12		K1KY15AA0607	15P CONNECTOR	1	
A13		K1KY23AA0607	23P CONNECTOR	1	
A14		K1KY23AA0607	23P CONNECTOR	1	
A51		K1KY20A00015	20P CONNECTOR	1	
A52		K1KA13AA0666	13P CONNECTOR	1	
A53		K1KA02AA0150	2P CONNECTOR	1	
A70		K1KA04AA0104	4P CONNECTOR	1	
C10		K1MN20BA0231	20P CONNECTOR	1	
C11		K1MN68BA0266	68P CONNECTOR	1	
C20		K1MN20BA0266	20P CONNECTOR	1	
C21		K1MN68BA0266	68P CONNECTOR	1	
C22		K1MN68BA0266	68P CONNECTOR	1	
C26		K1MN80BA0076	80P CONNECTOR	1	
C33		K1KA10B00218	10P CONNECTOR	1	
C35		K1KA04BA0107	4P CONNECTOR	1	
C36		K1MN80BA0076	80P CONNECTOR	1	
C858		FLJ1E104A227	C 0.10UF, Z, 25V	1	
C859		FLJ1E104A227	C 0.10UF, Z, 25V	1	
C860		F2A1E101A599	E 100UF, 25V	1	
C861		FLJ1E104A227	C 0.10UF, Z, 25V	1	
C862		FLJ1E104A227	C 0.10UF, Z, 25V	1	
C869		ECA1EHG471	E 470UF, 25V	1	
C1102		FLJ1A106A043	C 0.010UF, K, 10V	1	
C1103		FIG1C104A116	C 0.10UF, K, 16V	1	
C1104		FIG1C104A116	C 0.10UF, K, 16V	1	
C1106		FIG1H270A731	C 27UF, 50V	1	
C1107		FIG1H220A731	C 22UF, 50V	1	
C1108		FIG1C104A116	C 0.10UF, K, 16V	1	
C1109		FIH1A1050032	C 10UF, 50V	1	
C1111		FIH1A1050032	C 10UF, 50V	1	
C1112		FIG1C104A116	C 0.10UF, K, 16V	1	
C1114		FIG1C104A116	C 0.10UF, K, 16V	1	
C1117		FIG1C104A116	C 0.10UF, K, 16V	1	
C1122		FIG1E103A123	C 0.010UF, K, 16V	1	
C1123		FIH1A1050032	C 10UF, 50V	1	
C2023		FIG1C104A116	C 0.10UF, K, 16V	1	
C2048		FIG1C104A116	C 0.10UF, K, 16V	1	
C2049		FIG1C104A116	C 0.10UF, K, 16V	1	
C2050		FIG1C104A116	C 0.10UF, K, 16V	1	
C2052		FIG1C104A116	C 0.10UF, K, 16V	1	
C2053		FIG1C104A116	C 0.10UF, K, 16V	1	
C2054		FLJ1A106A043	C 0.010UF, K, 10V	1	
C2055		FIG1H150A731	C 15UF, 50V	1	
C2056		FIG1H150A731	C 15UF, 50V	1	
C2057		FIG1C104A116	C 0.10UF, K, 16V	1	
C2058		FIG1C104A116	C 0.10UF, K, 16V	1	
C2059		FLJ1A106A043	C 0.010UF, K, 10V	1	
C2091		FIG1H220A731	C 22UF, 50V	1	
C2092		FIG1H220A731	C 22UF, 50V	1	
C2096		FIG1C104A116	C 0.10UF, K, 16V	1	
C2098		F2G0J2210013	E 220UF 6.3V	1	
C2099		F2G0J2210013	E 220UF 6.3V	1	
C2100		FIG1C104A116	C 0.10UF, K, 16V	1	
C2101		FLJ1A106A043	C 0.010UF, K, 10V	1	
C2102		FIG1C104A116	C 0.10UF, K, 16V	1	
C2105		FIG1C104A116	C 0.10UF, K, 16V	1	

Safety	Ref. No.	Part No.	Part Name & Description	Pcs	Remarks
		C2106	FIG1C104A116	C 0.10UF, K, 16V	1
		C2107	F2G0J470A019	E 47UF 6.3V	1
		C2108	F2G0J470A019	E 47UF 6.3V	1
		C2109	FIG1C104A116	C 0.10UF, K, 16V	1
		C2110	FIG1C104A116	C 0.10UF, K, 16V	1
		C2111	FIH0J2250008	C 2.2UF, K, 16V	1
		C2112	FLJ1A106A043	C 0.010UF, K, 10V	1
		C2113	FLJ1A106A043	C 0.010UF, K, 10V	1
		C2114	FIG1C104A116	C 0.10UF, K, 16V	1
		C2115	FIG1C104A116	C 0.10UF, K, 16V	1
		C2116	FIG1H471A731	C 470UF, 50V	1
		C2117	FIG1C104A116	C 0.10UF, K, 16V	1
		C2118	FIH1A1050032	C 10UF, 50V	1
		C2119	EEH1A221P	C 220PF, J, 10V	1
		C2120	FIG1H560A731	C 56UF, 50V	1
		C2121	FIG1H560A731	C 56UF, 50V	1
		C2124	FIG1C104A116	C 0.10UF, K, 16V	1
		C2125	FIG1E103A123	C 0.010UF, K, 16V	1
		C2126	FLJ1A106A043	C 0.010UF, K, 10V	1
		C2127	FIG1E103A123	C 0.010UF, K, 16V	1
		C2128	FIG1E103A123	C 0.010UF, K, 16V	1
		C2129	FIG1E103A123	C 0.010UF, K, 16V	1
		C2131	ERJ2GEJ102X	M 1K OHM J 1/4W	1
		C2135	FIG1E103A123	C 0.010UF, K, 16V	1
		C2136	FIG1E103A123	C 0.010UF, K, 16V	1
		C2137	FLJ1A106A043	C 0.010UF, K, 10V	1
		C2138	FIG1C104A116	C 0.10UF, K, 16V	1
		C2145	FIG1C104A116	C 0.10UF, K, 16V	1
		C2146	FIG1C104A116	C 0.10UF, K, 16V	1
		C2151	FLJ1A106A043	C 0.010UF, K, 10V	1
		C2174	FIH1A1050032	C 10UF, 50V	1
		C2175	F2G0J470A019	E 47UF 6.3V	1
		C2176	FIG1E103A123	C 0.010UF, K, 16V	1
		C2179	F2G0J470A019	E 47UF 6.3V	1
		C2180	FIH1A1050032	C 10UF, 50V	1
		C2184	FIG1H102A730	C 1000UF, 50V	1
		C2187	FIH0J2250008	C 2.2UF, K, 16V	1
		C2188	FIG1H471A730	C 470UF, 50V	1
		C2189	FIH1A1050032	C 10UF, 50V	1
		C2191	FLJ1A106A043	C 0.010UF, K, 10V	1
		C2192	F2G0J470A019	E 47UF 6.3V	1
		C2195	FIG1H102A730	C 1000UF, 50V	1
		C2197	FIH1E333A129	C 0.033UF, 25V	1
		C2198	FIH1E333A129	C 0.033UF, 25V	1
		C2201	FIG1A473A053	C 0.47UF, 10V	1
		C2202	FIH0J2250008	C 2.2UF, K, 16V	1
		C2203	FIH1A1050032	C 10UF, 50V	1
		C2204	FIH1C105A008	C 1UF, K, 16V	1
		C2213	FIG1H102A730	C 1000UF, 50V	1
		C2216	FIG1C104A116	C 0.10UF, K, 16V	1
		C2244	FIG1C104A116	C 0.10UF, K, 16V	1
		C2245	FIG1H102A730	C 1000UF, 50V	1
		C2246	FLJ1A106A043	C 0.010UF, K, 10V	1
		C2251	FLJ1A106A043	C 0.010UF, K, 10V	1
		C2261	FLJ1A106A043	C 0.010UF, K, 10V	1 A
		C2261	DOGDR00Z0002	M 0 OHM, 1/10W	1 M/MR/MS
		C2262	FLJ1A106A043	C 0.010UF, K, 10V	1 A
		C2262	DOGDR00Z0002	M 0 OHM, 1/10W	1 M/MR/MS



Safety	Ref. No.	Part No.	Part Name & Description	Pcs	Remarks
	C2263	FLJ1A106A043	C 0.01UF, K, 10V	1	
	C2264	FLJ1A106A043	C 0.01UF, K, 10V	1	
	C2265	F1G1H101A731	C 100PF, K, 50V	1	M/MR/MS
	C2266	F1G1H101A731	C 100PF, K, 50V	1	M/MR/MS
	C2301	F1G1C104A116	C 0.10UF, K, 16V	1	
	C2302	F1G1C104A116	C 0.10UF, K, 16V	1	
	C2393	F1K1C1060004	C 0.010UF, 16V	1	
	C2394	FLJ1H474A757	C 0.47UF, 50V	1	
	C2395	FLJ1H474A757	C 0.47UF, 50V	1	
	C2400	F1G1C104A116	C 0.10UF, K, 16V	1	
	C2401	F1G1H181A731	C 180UF, 50V	1	
	C2402	F1G1C104A116	C 0.10UF, K, 16V	1	
	C2403	F2G1V220A020	E 22UF, 35V	1	
	C2404	F1G1H102A730	C 1000UF, 50V	1	
	C2407	F2H0J1010009	C 100UF, 6.3V	1	
	C2408	F1G1C104A116	C 0.10UF, K, 16V	1	
	C2409	F2G0J1020022	E 1100PF, J, 6.3V	1	
	C2410	F1H0J2250008	C 2.2UF, K, 16V	1	
	C2411	ECJ1VB1H104K	C 0.1UF, K, 50V	1	
	C2412	F2G1H100A031	E 10UF, 50V	1	
	C2413	F1H1A1050032	C 10UF, 50V	1	
	C2414	F1G1C104A116	C 0.10UF, K, 16V	1	
	C2415	F1G1C104A116	C 0.10UF, K, 16V	1	
	C2416	F1H1H330A971	C 33UF, 50V	1	
	C2417	F1H1H330A971	C 33UF, 50V	1	
	C2418	F1G1E103A123	C 0.010UF, K, 16V	1	
	C2419	F1G1H101A731	C 100PF, K, 50V	1	
	C2420	F1G1C104A116	C 0.10UF, K, 16V	1	
	C2427	F1H1A1050032	C 10UF, 50V	1	
	C2430	ECJ3YB1E106M	C 10 UF, K, 25V	1	
	C2431	F1G1H101A731	C 100PF, K, 50V	1	
	C2432	F1G1H471A731	C 470UF, 50V	1	
	C2433	F1G1H471A731	C 470UF, 50V	1	A
	C2434	F1G1C104A116	C 0.10UF, K, 16V	1	A
	C2437	F1G1C104A116	C 0.10UF, K, 16V	1	
	C2511	F1H1C104A143	C 0.1UF, K, 16V	1	
	C2512	FLJ1A106A043	C 0.010UF, K, 10V	1	
	C2515	F1H1H103A970	C 0.001UF, K, 50V	1	
	C2521	F1H1H103A970	C 0.001UF, K, 50V	1	
	C2525	ECJ1VB1H102K	C 1000PF, K, 50V	1	
	C2601	F1G1A104A012	C 0.01UF, K, 10V	1	
	C2602	F1G1A104A012	C 0.01UF, K, 10V	1	
	C2603	F1G1C103A116	C 0.010UF, K, 16V	1	
	C2604	F1G1A104A012	C 0.01UF, K, 10V	1	
	C2605	F1G1C103A116	C 0.010UF, K, 16V	1	
	C2608	F1G1A104A012	C 0.01UF, K, 10V	1	
	C2609	F1G1C103A116	C 0.010UF, K, 16V	1	
	C2610	F1G1C103A116	C 0.010UF, K, 16V	1	
	C2611	F1G1C103A116	C 0.010UF, K, 16V	1	
	C2612	F1G1A104A012	C 0.01UF, K, 10V	1	
	C2613	F1G1H180A731	C 18UF, 50V	1	
	C2614	F1G1H120A731	C 12UF, 50V	1	
	C2615	F1G1A104A012	C 0.01UF, K, 10V	1	
	C2616	F1G1A104A012	C 0.01UF, K, 10V	1	
	C2617	F1G1A104A012	C 0.01UF, K, 10V	1	
	C2618	F1G1A104A012	C 0.01UF, K, 10V	1	
	C2619	F1G1A104A012	C 0.01UF, K, 10V	1	
	C2620	F1G1A104A012	C 0.01UF, K, 10V	1	
	C2621	F1G1A104A012	C 0.01UF, K, 10V	1	
	C2622	F1G1A104A012	C 0.01UF, K, 10V	1	
	C2623	F1G1A104A012	C 0.01UF, K, 10V	1	
	C2624	F1G1A104A012	C 0.01UF, K, 10V	1	
	C2625	F1G1A104A012	C 0.01UF, K, 10V	1	

Safety	Ref. No.	Part No.	Part Name & Description	Pcs	Remarks
	C2626	F1G1A104A012	C 0.01UF, K, 10V	1	
	C2627	F1G1A104A012	C 0.01UF, K, 10V	1	
	C2628	F1G1C103A116	C 0.010UF, K, 16V	1	
	C2629	F1G1A104A012	C 0.01UF, K, 10V	1	
	C2630	F1G1A104A012	C 0.01UF, K, 10V	1	
	C2631	F1G1C103A116	C 0.010UF, K, 16V	1	
	C2632	F1G1A104A012	C 0.01UF, K, 10V	1	
	C2633	F1G1C103A116	C 0.010UF, K, 16V	1	
	C2634	F1G1A104A012	C 0.01UF, K, 10V	1	
	C2635	ECJ1VB1H473K	C 0.047UF, K, 50V	1	
	C2637	EEEB0G221P	C 220PF, J, 4V	1	
	C2638	EEEB0G470R	C 47PF, J, 4V	1	
	C2639	F2G1C2200036	E 22UF, 16V	1	
	C2640	F2G1C2200036	E 22UF, 16V	1	
	C2641	F2G1C2200036	E 22UF, 16V	1	
	C2642	F1G1A104A012	C 0.01UF, K, 10V	1	
	C2643	F1G1C103A116	C 0.010UF, K, 16V	1	
	C2644	F1G1C103A116	C 0.010UF, K, 16V	1	
	C2645	F1G1A104A012	C 0.01UF, K, 10V	1	
	C2646	F1G1A104A012	C 0.01UF, K, 10V	1	
	C2647	F1G1A104A012	C 0.01UF, K, 10V	1	
	C2648	F1G1A104A012	C 0.01UF, K, 10V	1	
	C2649	F1G1A104A012	C 0.01UF, K, 10V	1	
	C2650	F2G1C2200036	E 22UF, 16V	1	
	C2651	F1G1H100A565	C 100PF, K, 50V	1	
	C2652	ECRLOG680ER	C 68PF, J, 4V	1	
	C2657	F1G1C103A116	C 0.010UF, K, 16V	1	
	C2658	ECJ2VB1C104K	C 0.1UF, K, 16V	1	
	C2661	F1H1A1050032	C 10UF, 50V	1	
	C3099	F2G1C220A022	E 22UF, 16V	1	
	C3104	ECJ1VB1H104K	C 0.1UF, K, 50V	1	
	C3107	F1H1H470A971	C 47UF, K, 50V	1	
	C3109	F1G1H222A730	C 2200UF, 50V	1	
	C3110	F2G1C1010034	E 100PF, J, 16V	1	
	C3115	F1G1H222A730	C 2200UF, 50V	1	
	C3116	ECJ1VB1C105K	C 0.01UF, K, 16V	1	
	C3117	F1H1H561A971	C 560UF, 50V	1	
	C3122	F1H1A1050032	C 10UF, 50V	1	
	C3123	F1H1A1050032	C 10UF, 50V	1	
	C3124	F1H1A1050032	C 10UF, 50V	1	
	C3128	F1H1H561A971	C 560UF, 50V	1	
	C3138	F1H1H561A971	C 560UF, 50V	1	
	C3139	F1H1H561A971	C 560UF, 50V	1	
	C3141	F1H1H561A971	C 560UF, 50V	1	
	C3142	F1H1H561A971	C 560UF, 50V	1	
	C3144	F1H1H561A971	C 560UF, 50V	1	
	C3145	F1H1H561A971	C 560UF, 50V	1	
	C3152	ECJ1VB1C105K	C 0.01UF, K, 16V	1	
	C3154	ECJ1VB1C105K	C 0.01UF, K, 16V	1	
	C3172	ECJ1VB1C105K	C 0.01UF, K, 16V	1	A
	C3173	ECJ1VB1C105K	C 0.01UF, K, 16V	1	A
	C3223	ECJ1VB1C105K	C 0.01UF, K, 16V	1	
	C3225	ECJ1VB1H104K	C 0.1UF, K, 50V	1	
	C3226	ECJ1VB1C105K	C 0.01UF, K, 16V	1	
	C3245	ECJ1VB1C105K	C 0.01UF, K, 16V	1	
	C3246	ECJ1VB1C105K	C 0.01UF, K, 16V	1	
	C3247	ECJ1VB1C105K	C 0.01UF, K, 16V	1	
	C3248	ECJ1VB1C105K	C 0.01UF, K, 16V	1	
	C3249	ECJ1VB1C105K	C 0.01UF, K, 16V	1	
	C3250	ECJ1VB1C105K	C 0.01UF, K, 16V	1	
	C3253	F1H1A1050032	C 10UF, 50V	1	
	C3258	F1H1A1050032	C 10UF, 50V	1	A
	C3259	F1H1A1050032	C 10UF, 50V	1	
	C3260	F1H1A1050032	C 10UF, 50V	1	
	C3261	ECJ1VB1H104K	C 0.1UF, K, 50V	1	
	C3262	F1H1A1050032	C 10UF, 50V	1	
	C3263	F1H1A1050032	C 10UF, 50V	1	

Safety	Ref. No.	Part No.	Part Name & Description	Pcs	Remarks
	C3264	ECJ1VB1C105K	C 0.01UF, K, 16V	1	
	C3265	EEH1C221UP	C 220PF, J, 16V	1	
	C3266	ECJ1VB1H104K	C 0.1UF, K, 50V	1	
	C3267	F1H1A1050032	C 10UF, 50V	1	
	C3268	F1H1A1050032	C 10UF, 50V	1	
	C3269	F1H1A1050032	C 10UF, 50V	1	
	C3270	F1H1A1050032	C 10UF, 50V	1	
	C3271	F1H1A1050032	C 10UF, 50V	1	
	C3275	F1H1A1050032	C 10UF, 50V	1	
	C3276	F1H1A1050032	C 10UF, 50V	1	
	C3277	ECJ1VB1H104K	C 0.1UF, K, 50V	1	
	C3278	F2G1A221A149	E 220UF, 10V	1	
	C3281	ECJ1VB1C105K	C 0.01UF, K, 16V	1	
	C3297	FIJ1A106A043	C 0.010UF, K, 10V	1	
	C3298	FIJ1A106A043	C 0.010UF, K, 10V	1	
	C3299	FIJ1A106A043	C 0.010UF, K, 10V	1	
	C3300	FIJ1A106A043	C 0.010UF, K, 10V	1	
	C3302	EEH1C221UP	C 220PF, J, 16V	1	
	C3308	F2G1C100A022	C 10UF J 16V	1	
	C3310	ECJ1VB1H104K	C 0.1UF, K, 50V	1	
	C3311	ECJ1VB1H104K	C 0.1UF, K, 50V	1	
	C3319	ECJ1VB1H104K	C 0.1UF, K, 50V	1	
	C3320	F2G1C470A022	E 47UF, 16V	1	
	C3323	F1H1A1050032	C 10UF, 50V	1	
	C3701	ECJ2XC1H561K	C 560PF, K, 50V	1	
	C3703	ECJ2XC1H561K	C 560PF, K, 50V	1	
	C3711	ECJ2VF1H333Z	C 0.033UF, Z, 50V	1	
	C3712	ECJ2VF1H333Z	C 0.033UF, Z, 50V	1	
	C3750	FIJ1H102A721	C 1000UF, 50V	1	
	C3801	FIG1C104A116	C 0.10UF, K, 16V	1	
	C3802	FIG1C104A116	C 0.10UF, K, 16V	1	
	C3803	F1H1A1050032	C 10UF, 50V	1	
	C3804	FIG1C104A116	C 0.10UF, K, 16V	1	
	C3806	FIG1C104A116	C 0.10UF, K, 16V	1	
	C3807	FIG1C104A116	C 0.10UF, K, 16V	1	
	C3808	FIG1C104A116	C 0.10UF, K, 16V	1	
	C3809	FIG1C104A116	C 0.10UF, K, 16V	1	
	C3810	FIG1C104A116	C 0.10UF, K, 16V	1	
	C3811	FIG1C104A116	C 0.10UF, K, 16V	1	
	C3812	FIG1C104A116	C 0.10UF, K, 16V	1	
	C3813	FIJ0J106A004	C 0.010UF, K, 16V	1	
	C3814	FIG1C104A116	C 0.10UF, K, 16V	1	
	C3815	ECJ0EB1C103K	C 0.010UF, K, 16V	1	
	C3816	ECJ0EB1C103K	C 0.010UF, K, 16V	1	
	C3817	ECJ0EB1C103K	C 0.010UF, K, 16V	1	
	C3818	ECJ0EB1C103K	C 0.010UF, K, 16V	1	
	C3819	ECJ0EB1C103K	C 0.010UF, K, 16V	1	
	C3820	ECJ0EB1C103K	C 0.010UF, K, 16V	1	
	C3823	FIG1C104A116	C 0.10UF, K, 16V	1	
	C3827	FIJ1A475A039	C 4.7UF, K, 10V	1	
	C3829	F1H1A1050032	C 10UF, 50V	1	
	C4005	FIG1C104A081	C 0.10UF, K, 16V	1	
	C4006	FIG1C104A081	C 0.10UF, K, 16V	1	
	C4008	FIG1C104A081	C 0.10UF, K, 16V	1	
	C4010	FIG1C104A081	C 0.10UF, K, 16V	1	
	C4011	FIG1C104A081	C 0.10UF, K, 16V	1	
	C4013	FIG1C104A081	C 0.10UF, K, 16V	1	
	C4014	FIG1C104A081	C 0.10UF, K, 16V	1	
	C4015	FIG1C104A081	C 0.10UF, K, 16V	1	
	C4016	FIJ1C475A170	C 4.7UF, K, 16V	1	
	C4018	FIG1C104A081	C 0.10UF, K, 16V	1	
	C4019	FIJ1H474A757	C 0.47UF, 50V	1	
	C4020	FIG1C104A081	C 0.10UF, K, 16V	1	

Safety	Ref. No.	Part No.	Part Name & Description	Pcs	Remarks
	C4021	FIG1C104A081	C 0.10UF, K, 16V	1	
	C4022	FIJ1H474A757	C 0.47UF, 50V	1	
	C4023	FIG1C104A081	C 0.10UF, K, 16V	1	
	C4024	FIG1C104A081	C 0.10UF, K, 16V	1	
	C4025	FIG1C104A081	C 0.10UF, K, 16V	1	
	C4027	FIG1C104A081	C 0.10UF, K, 16V	1	
	C4028	FIG1C104A081	C 0.10UF, K, 16V	1	
	C4030	FIG1C104A081	C 0.10UF, K, 16V	1	
	C4032	FIG1C104A081	C 0.10UF, K, 16V	1	
	C4033	FIG1C104A081	C 0.10UF, K, 16V	1	
	C4034	FIG1C104A081	C 0.10UF, K, 16V	1	
	C4035	F1H1A1050032	C 10UF, 50V	1	
	C4036	F1H1A1050032	C 10UF, 50V	1	
	C4038	FIG1C104A081	C 0.10UF, K, 16V	1	
	C4039	FIG1E103A123	C 0.010UF, K, 16V	1	
	C4040	FIG1H150A731	C 15UF, 50V	1	
	C4045	FIG1C104A081	C 0.10UF, K, 16V	1	
	C4047	F1H1A1050032	C 10UF, 50V	1	
	C4049	FIG1C104A081	C 0.10UF, K, 16V	1	
	C4050	F1H1A1050032	C 10UF, 50V	1	
	C4051	FIG1C104A081	C 0.10UF, K, 16V	1	
	C4052	FIG1C104A081	C 0.10UF, K, 16V	1	
	C4053	FIG1C104A081	C 0.10UF, K, 16V	1	
	C4054	FIG1C1060004	C 0.010UF, 16V	1	
	C4055	FIG1C104A116	C 0.10UF, K, 16V	1	
	C4056	F2G1C470A022	E 47UF, 16V	1	
	C4101	FIG1C104A116	C 0.10UF, K, 16V	1	
	C4255	FIG1C104A116	C 0.10UF, K, 16V	1	
	C4256	FIG1C104A116	C 0.10UF, K, 16V	1	
	C4257	FIG1C104A116	C 0.10UF, K, 16V	1	
	C4258	FIG1C104A116	C 0.10UF, K, 16V	1	
	C4259	FIG1C104A116	C 0.10UF, K, 16V	1	
	C4260	FIG1C104A116	C 0.10UF, K, 16V	1	
	C4261	FIG1C104A116	C 0.10UF, K, 16V	1	
	C4262	FIG1C104A116	C 0.10UF, K, 16V	1	
	C4263	FIG1C104A116	C 0.10UF, K, 16V	1	
	C4264	FIG1C104A116	C 0.10UF, K, 16V	1	
	C4265	FIG1C104A116	C 0.10UF, K, 16V	1	
	C4266	FIG1H0J1050012	C 1UF, K, 16V	1	
	C4267	FIG1H1020008	C 1000UF, 50V	1	
	C4268	FIG1H1020008	C 1000UF, 50V	1	
	C4270	FIG1C104A116	C 0.10UF, K, 16V	1	
	C4271	FIG1C104A116	C 0.10UF, K, 16V	1	
	C4272	FIG1C104A116	C 0.10UF, K, 16V	1	
	C4273	FIG1C104A116	C 0.10UF, K, 16V	1	
	C4274	FIG1C104A116	C 0.10UF, K, 16V	1	
	C4275	FIG1C104A116	C 0.10UF, K, 16V	1	
	C4276	FIG1C104A116	C 0.10UF, K, 16V	1	
	C4277	FIG1C104A116	C 0.10UF, K, 16V	1	
	C4278	FIG1C104A116	C 0.10UF, K, 16V	1	
	C4279	FIG1C104A116	C 0.10UF, K, 16V	1	
	C4280	FIG1C104A116	C 0.10UF, K, 16V	1	
	C4281	FIG1C104A116	C 0.10UF, K, 16V	1	
	C4282	FIG1C104A116	C 0.10UF, K, 16V	1	
	C4283	FIG1C104A116	C 0.10UF, K, 16V	1	
	C4284	FIG1C104A116	C 0.10UF, K, 16V	1	
	C4285	FIG1C104A116	C 0.10UF, K, 16V	1	
	C4286	FIG1C104A116	C 0.10UF, K, 16V	1	
	C4287	FIG1C104A116	C 0.10UF, K, 16V	1	
	C4288	FIG1C104A116	C 0.10UF, K, 16V	1	
	C4289	FIG1C104A116	C 0.10UF, K, 16V	1	
	C4290	FIG1H1020008	C 1000UF, 50V	1	
	C4291	FIG1C104A116	C 0.10UF, K, 16V	1	
	C4292	FIG1H1020008	C 1000UF, 50V	1	
	C4293	FIG1C104A116	C 0.10UF, K, 16V	1	
	C4294	FIG1H1020008	C 1000UF, 50V	1	
	C4295	FIG1C104A116	C 0.10UF, K, 16V	1	
	C4296	FIG1H1020008	C 1000UF, 50V	1	
	C4297	FIG1C104A116	C 0.10UF, K, 16V	1	
	C4298	FIG1H1020008	C 1000UF, 50V	1	
	C4299	FIG1C104A116	C 0.10UF, K, 16V	1	
	C4300	F2G0J470A019	E 47UF 6.3V	1	

Safety	Ref. No.	Part No.	Part Name & Description	Pcs	Remarks
	C4301	F1G1C104A116	C 0.10UF, K, 16V	1	
	C4302	F1J0J106A020	C 0.010UF, K, 16V	1	
	C4313	F1J0J106A020	C 0.010UF, K, 16V	1	
	C4314	F1G1C104A116	C 0.10UF, K, 16V	1	
	C4315	F1G1C104A116	C 0.10UF, K, 16V	1	
	C4316	F1G1C104A116	C 0.10UF, K, 16V	1	
	C4317	F1J0J106A020	C 0.010UF, K, 16V	1	
	C4318	F1G1C104A116	C 0.10UF, K, 16V	1	
	C4319	F1G1C104A116	C 0.10UF, K, 16V	1	
	C4320	F1G1C104A116	C 0.10UF, K, 16V	1	
	C4321	F1G1C104A116	C 0.10UF, K, 16V	1	
	C4323	F1G1C104A116	C 0.10UF, K, 16V	1	
	C4325	F1J0J106A020	C 0.010UF, K, 16V	1	
	C4326	F1J0J106A020	C 0.010UF, K, 16V	1	
	C4328	F1G1C104A116	C 0.10UF, K, 16V	1	
	C4329	F1G1C104A116	C 0.10UF, K, 16V	1	
	C4500	F1G1C104A116	C 0.10UF, K, 16V	1	
	C4501	F1G1C104A116	C 0.10UF, K, 16V	1	
	C4502	F1G1C104A116	C 0.10UF, K, 16V	1	
	C4503	F1G1C104A116	C 0.10UF, K, 16V	1	
	C4510	F1G1C104A116	C 0.10UF, K, 16V	1	
	C4511	F1G1C104A116	C 0.10UF, K, 16V	1	
	C4513	F1G1C104A081	C 0.10UF, K, 16V	1	
	C4514	F1G1C104A081	C 0.10UF, K, 16V	1	
	C4517	F1G1C104A081	C 0.10UF, K, 16V	1	
	C4520	F1J1A106A043	C 0.010UF, K, 10V	1	
	C4521	F1G1C104A081	C 0.10UF, K, 16V	1	
	C4522	F1G1C104A116	C 0.10UF, K, 16V	1	
	C4523	F1G1C104A081	C 0.10UF, K, 16V	1	
	C4524	F1G1C104A116	C 0.10UF, K, 16V	1	
	C4525	F1G1C104A081	C 0.10UF, K, 16V	1	
	C4533	F1G1H680A731	C 68UF, 50V	1	
	C4534	F1G1C104A116	C 0.10UF, K, 16V	1	
	C4535	F1G1C104A116	C 0.10UF, K, 16V	1	
	C4547	F1G1C104A116	C 0.10UF, K, 16V	1	
	C4548	F1G1C104A116	C 0.10UF, K, 16V	1	
	C4549	F1G1C104A116	C 0.10UF, K, 16V	1	
	C4550	F1G1C104A116	C 0.10UF, K, 16V	1	
	C4551	F1G1C104A116	C 0.10UF, K, 16V	1	
	C4552	F1G1C104A116	C 0.10UF, K, 16V	1	
	C4553	F1G1H102A730	C 1000UF, 50V	1	
	C4554	F2G1C470A022	E 47UF, 16V	1	
	C4555	F1J1A106A043	C 0.010UF, K, 10V	1	
	C4574	F1G1E103A123	C 0.010UF, K, 16V	1	
	C4575	F1H1A1050032	C 10UF, 50V	1	
	C4580	F1G1E103A123	C 0.010UF, K, 16V	1	
	C4585	F1H1A1050032	C 10UF, 50V	1	
	C4595	F1G1E103A123	C 0.010UF, K, 16V	1	
	C4596	F1G1C104A116	C 0.10UF, K, 16V	1	
	C4598	F1H1A1050032	C 10UF, 50V	1	
	C4599	F2G0J470A019	E 47UF 6.3V	1	
	C4600	F1G1C104A116	C 0.10UF, K, 16V	1	
	C4601	F2G0J470A019	E 47UF 6.3V	1	
	C4602	F1G1C104A116	C 0.10UF, K, 16V	1	
	C4603	F1H0J2250008	C 2.2UF, K, 16V	1	
	C4604	F1G1H471A730	C 470UF, 50V	1	
	C4605	F1H1A1050032	C 10UF, 50V	1	
	C4606	F1J1A475A039	C 4.7UF, K, 10V	1	
	C4607	F1J1A475A039	C 4.7UF, K, 10V	1	
	C4608	F1G1C104A116	C 0.10UF, K, 16V	1	
	C4609	F1G1C104A116	C 0.10UF, K, 16V	1	
	C4610	F1G1C104A116	C 0.10UF, K, 16V	1	
	C4611	F1G1C104A116	C 0.10UF, K, 16V	1	
	C4612	F1G1E103A123	C 0.010UF, K, 16V	1	

Safety	Ref. No.	Part No.	Part Name & Description	Pcs	Remarks
	C4613	F1H1A1050032	C 10UF, 50V	1	
	C4614	F1G1C104A116	C 0.10UF, K, 16V	1	
	C4615	F1G1C104A116	C 0.10UF, K, 16V	1	
	C4616	F1J1A475A039	C 4.7UF, K, 10V	1	
	C4617	F1J0G2260001	C 0.001UF, 6.3V	1	
	C4619	F1G1C104A116	C 0.10UF, K, 16V	1	
	C4624	F1G1C104A116	C 0.10UF, K, 16V	1	
	C4625	F1G1C104A116	C 0.10UF, K, 16V	1	
	C4628	F1G1C104A116	C 0.10UF, K, 16V	1	
	C4630	F1G1C104A116	C 0.10UF, K, 16V	1	
	C4632	F1H1A1050032	C 10UF, 50V	1	
	C4634	F1H1A1050032	C 10UF, 50V	1	
	C4636	F1H1A1050032	C 10UF, 50V	1	
	C4638	F1H1A1050032	C 10UF, 50V	1	
	C4640	F1H1A1050032	C 10UF, 50V	1	
	C4642	F1H1A1050032	C 10UF, 50V	1	
	C4643	F1G1C104A116	C 0.10UF, K, 16V	1	
	C4644	F1G1C104A116	C 0.10UF, K, 16V	1	
	C4645	F1G1C104A116	C 0.10UF, K, 16V	1	
	C4646	F1G1C104A116	C 0.10UF, K, 16V	1	
	C4647	F1K1C1060004	C 0.010UF, 16V	1	
	C5001	F1G1C104A116	C 0.10UF, K, 16V	1	
	C5002	F1G1C104A116	C 0.10UF, K, 16V	1	
	C5003	F1G1C104A116	C 0.10UF, K, 16V	1	
	C5004	F1G1C104A116	C 0.10UF, K, 16V	1	
	C5005	F1H0J1050012	C 1UF, K, 16V	1	
	C5006	F1H0J1050012	C 1UF, K, 16V	1	
	C5007	F1J1A106A043	C 0.010UF, K, 10V	1	
	C5008	F1G1C104A116	C 0.10UF, K, 16V	1	
	C5009	F1G1C104A116	C 0.10UF, K, 16V	1	
	C5010	F1G1C104A116	C 0.10UF, K, 16V	1	
	C5011	F1G1C104A116	C 0.10UF, K, 16V	1	
	C5012	F1G1C104A116	C 0.10UF, K, 16V	1	
	C5013	F1J1A106A043	C 0.010UF, K, 10V	1	
	C5014	F1G1C104A116	C 0.10UF, K, 16V	1	
	C5015	F1G1C104A116	C 0.10UF, K, 16V	1	
	C5016	F1J1A106A043	C 0.010UF, K, 10V	1	
	C5017	F1G1C104A116	C 0.10UF, K, 16V	1	
	C5018	F1G1C104A116	C 0.10UF, K, 16V	1	
	C5019	F1G1C104A116	C 0.10UF, K, 16V	1	
	C5020	F1G1C104A116	C 0.10UF, K, 16V	1	
	C5021	F1H0J1050012	C 1UF, K, 16V	1	
	C5022	F1H0J1050012	C 1UF, K, 16V	1	
	C5023	F1H0J1050012	C 1UF, K, 16V	1	
	C5024	F1H0J1050012	C 1UF, K, 16V	1	
	C5025	F1J1A106A043	C 0.010UF, K, 10V	1	
	C5026	F1J1A106A043	C 0.010UF, K, 10V	1	
	C5027	F1G1C104A116	C 0.10UF, K, 16V	1	
	C5028	F1G1C104A116	C 0.10UF, K, 16V	1	
	C5029	F1G1C104A116	C 0.10UF, K, 16V	1	
	C5030	F1G1C104A116	C 0.10UF, K, 16V	1	
	C5031	F1G1C104A116	C 0.10UF, K, 16V	1	
	C5032	F1G1C104A116	C 0.10UF, K, 16V	1	
	C5033	F1H0J1050012	C 1UF, K, 16V	1	
	C5034	F1H0J1050012	C 1UF, K, 16V	1	
	C5035	F1H0J1050012	C 1UF, K, 16V	1	
	C5036	F1H0J1050012	C 1UF, K, 16V	1	
	C5037	F1H0J1050012	C 1UF, K, 16V	1	
	C5038	F1H0J1050012	C 1UF, K, 16V	1	
	C5039	F1J1A106A043	C 0.010UF, K, 10V	1	
	C5040	F1J1A106A043	C 0.010UF, K, 10V	1	
	C5041	F1J1A106A043	C 0.010UF, K, 10V	1	
	C5042	F1G1C104A116	C 0.10UF, K, 16V	1	
	C5043	F1G1C104A116	C 0.10UF, K, 16V	1	
	C5044	F1H0J1050012	C 1UF, K, 16V	1	
	C5045	F1H0J1050012	C 1UF, K, 16V	1	

Safety	Ref. No.	Part No.	Part Name & Description	Pcs	Remarks
	C5046	FLJ1A106A043	C 0.010UF, K, 10V	1	
	C5047	FIH0J1050012	C 1UF, K, 16V	1	
	C5048	FIH0J2250008	C 2.2UF, K, 16V	1	
	C5049	FIG1C104A116	C 0.10UF, K, 16V	1	
	C5050	FIH0J1050012	C 1UF, K, 16V	1	
	C5051	FLJ1A106A043	C 0.010UF, K, 10V	1	
	C5052	FLJ1A106A043	C 0.010UF, K, 10V	1	
	C5053	FIG1C104A116	C 0.10UF, K, 16V	1	
	C5054	FIG1C104A116	C 0.10UF, K, 16V	1	
	C5055	FIG1C104A116	C 0.10UF, K, 16V	1	
	C5056	FIG1C104A116	C 0.10UF, K, 16V	1	
	C5057	FIG1C104A116	C 0.10UF, K, 16V	1	
	C5058	ECGRLOG680ER	C 68PF, J, 4V	1	
	C5059	FIG1C104A116	C 0.10UF, K, 16V	1	
	C5060	FIG1C104A116	C 0.10UF, K, 16V	1	
	C5061	FIG1C104A116	C 0.10UF, K, 16V	1	
	C5062	FIG1C104A116	C 0.10UF, K, 16V	1	
	C5063	FIG1C104A116	C 0.10UF, K, 16V	1	
	C5064	FIG1C104A116	C 0.10UF, K, 16V	1	
	C5065	FIG1C104A116	C 0.10UF, K, 16V	1	
	C5066	FIG1C104A116	C 0.10UF, K, 16V	1	
	C5067	FIG1C104A116	C 0.10UF, K, 16V	1	
	C5072	FIG1C104A116	C 0.10UF, K, 16V	1	
	C5073	FIH0J2250008	C 2.2UF, K, 16V	1	
	C5200	FIH1H180A971	C 18PF, K, 50V	1	
	C5201	FIH1H180A971	C 18PF, K, 50V	1	
	C5301	FIH1A1050032	C 10UF, 50V	1	
	C5302	FIG1C104A081	C 0.10UF, K, 16V	1	
	C5303	FIH1A1050032	C 10UF, 50V	1	
	C5311	ECJ3YB1E106M	C 10 UF, K, 25V	1	
	C5312	ECJ3YB1E106M	C 10 UF, K, 25V	1	
	C5316	FIG1A473A053	C 0.47UF, 10V	1	
	C5317	FIH1A1050032	C 10UF, 50V	1	
	C5320	FIH1E104A129	C 0.1UF, 25V	1	
	C5321	FIG1E103A123	C 0.010UF, K, 16V	1	
	C5322	FLJ1A475A039	C 4.7UF, K, 10V	1	
	C5323	FIG1H471A730	C 470UF, 50V	1	
	C5324	FIG1H221A730	C 220UF, 50V	1	
	C5325	FIG1E103A123	C 0.010UF, K, 16V	1	
	C5326	FIG1C104A116	C 0.10UF, K, 16V	1	
	C5327	FIG1C104A116	C 0.10UF, K, 16V	1	
	C5328	ECGRLOG680ER	C 68PF, J, 4V	1	
	C5329	ECGRLOG680ER	C 68PF, J, 4V	1	
	C5341	FIG1C104A116	C 0.10UF, K, 16V	1	
	C5395	FLJ1E105A171	C 1 UF 25V	1	
	C5396	EEHBL1E470P	C 47PF, J, 25V	1	
	C5397	ECJ3YB1E106M	C 10 UF, K, 25V	1	
	C5399	ECJ3YB1E106M	C 10 UF, K, 25V	1	
	C5432	ECJ3YB1E106M	C 10 UF, K, 25V	1	
	C5433	FLJ1A106A043	C 0.010UF, K, 10V	1	
	C5434	FLJ1A106A043	C 0.010UF, K, 10V	1	
	C5435	FIG1E103A123	C 0.010UF, K, 16V	1	
	C5436	FIH1E104A129	C 0.1UF, 25V	1	
	C5441	FIH1E104A129	C 0.1UF, 25V	1	
	C5442	FIH1H682A970	C 6800PF, K, 50V	1	
	C5443	F2H0J2210005	C 220UF, 6.3V	1	
	C5452	ECJ3YB1E106M	C 10 UF, K, 25V	1	
	C5453	FLJ1A106A043	C 0.010UF, K, 10V	1	
	C5454	FLJ1A106A043	C 0.010UF, K, 10V	1	
	C5455	FIG1E103A123	C 0.010UF, K, 16V	1	
	C5456	FIH1E104A129	C 0.1UF, 25V	1	
	C5461	FIH1E104A129	C 0.1UF, 25V	1	
	C5462	FIH1H392A970	C 3900PF, K, 50V	1	
	C5463	FIG1C104A116	C 0.10UF, K, 16V	1	

Safety	Ref. No.	Part No.	Part Name & Description	Pcs	Remarks
	C5464	FLJ1A106A043	C 0.010UF, K, 10V	1	
	C5465	FLJ1A106A043	C 0.010UF, K, 10V	1	
	C5466	FLJ1A106A043	C 0.010UF, K, 10V	1	
	C5467	FIG1C104A081	C 0.10UF, K, 16V	1	
	C5468	F2G0G101A007	E 100UF 6.3V	1	
	C5469	F2G0G101A007	E 100UF 6.3V	1	
	C5470	FLJ0J106A020	C 0.010UF, K, 16V	1	
	C5471	FLJ0J106A020	C 0.010UF, K, 16V	1	
	C5472	FIG1C104A116	C 0.10UF, K, 16V	1	
	C5473	F2H0J1010009	C 100UF, 6.3V	1	
	C5474	FIG1C104A116	C 0.10UF, K, 16V	1	
	C5475	F2G1C1010034	E 100PF, J, 16V	1	
	C5476	FIG1C104A116	C 0.10UF, K, 16V	1	
	C5477	F2H0J1010009	C 100UF, 6.3V	1	
	C5478	FIG1C104A116	C 0.10UF, K, 16V	1	
	C5501	F2A1C471A537	E 470UF, 16V	1	
	C5502	ECJ2VB1C104K	C 0.1UF, K, 16V	1	
	C5503	F2A1C471A537	E 470UF, 16V	1	
	C5504	ECJ2VB1C104K	C 0.1UF, K, 16V	1	
	C5505	F2A1E102A220	E 1000UF, 25V	1	
	C5506	ECJ2VB1E104K	C 0.1UF, K, 25V	1	
	C5521	FIG1C104A116	C 0.10UF, K, 16V	1	
	C5522	FIG1C104A116	C 0.10UF, K, 16V	1	
	C5531	FIH1A1050032	C 10UF, 50V	1	
	C5533	FLJ1A106A043	C 0.010UF, K, 10V	1	
	C5541	FIH1E104A129	C 0.1UF, 25V	1	
	C5542	FIH1A1050032	C 10UF, 50V	1	
	C5543	FIG1H471A731	C 470UF, 50V	1	
	C5544	FLJ0J106A020	C 0.010UF, K, 16V	1	
	C5545	FIG1A104A012	C 0.01UF, K, 10V	1	
	C5546	F2G0G101A007	E 100UF 6.3V	1	
	C5595	F2G1C2200036	E 22UF, 16V	1	
	C5600	FIH1A1050032	C 10UF, 50V	1	
	C5601	FIG1C104A116	C 0.10UF, K, 16V	1	
	C5602	ECGRLOG680ER	C 68PF, J, 4V	1	
	C5603	FIG1E103A123	C 0.010UF, K, 16V	1	
	C5604	FIG1C223A116	C 0.022UF, K, 16V	1	
	C5605	FLJ1A475A039	C 4.7UF, K, 10V	1	
	C5606	FIG1H471A730	C 470UF, 50V	1	
	C5607	FIG1H221A731	C 220UF, 50V	1	
	C5608	FIG1C104A116	C 0.10UF, K, 16V	1	
	C5611	ECJ3YB1E106M	C 10 UF, K, 25V	1	
	C5612	ECJ3YB1E106M	C 10 UF, K, 25V	1	
	C5615	ECJ3YB1E106M	C 10 UF, K, 25V	1	
	C5616	FIG1C223A116	C 0.022UF, K, 16V	1	
	C5617	FIH1A1050032	C 10UF, 50V	1	
	C5618	ECJ3YB1E106M	C 10 UF, K, 25V	1	
	C5619	ECJ3YB1E106M	C 10 UF, K, 25V	1	
	C5620	FIH1E104A129	C 0.1UF, 25V	1	
	C5621	FIG1A473A053	C 0.47UF, 10V	1	
	C5622	FLJ1A475A039	C 4.7UF, K, 10V	1	
	C5623	FIG1H221A730	C 220UF, 50V	1	
	C5624	FIG1H221A730	C 220UF, 50V	1	
	C5625	FIG1E103A123	C 0.010UF, K, 16V	1	
	C5626	FIG1C104A116	C 0.10UF, K, 16V	1	
	C5627	FIG1C104A116	C 0.10UF, K, 16V	1	
	C5628	ECGRLOG680ER	C 68PF, J, 4V	1	
	C5629	ECGRLOG680ER	C 68PF, J, 4V	1	
	C5631	EEHBL1E470P	C 47PF, J, 25V	1	
	C5632	FLJ1E105A171	C 1 UF 25V	1	
	C5636	FIG1C104A116	C 0.10UF, K, 16V	1	
	C5637	FIG1C104A116	C 0.10UF, K, 16V	1	
	C5638	FIG1C104A116	C 0.10UF, K, 16V	1	
	C5639	FIG1C104A116	C 0.10UF, K, 16V	1	

Safety	Ref. No.	Part No.	Part Name & Description	Pcs	Remarks
	C5640	F1G1C104A116	C 0.10UF, K, 16V	1	
	C5641	F1G1C104A116	C 0.10UF, K, 16V	1	
	C5642	ECJ3YB1E106M	C 10 UF, K, 25V	1	
	C5643	F1H1E104A129	C 0.1UF, 25V	1	
	C5644	F1G1E103A123	C 0.010UF, K, 16V	1	
	C5661	F1G1E103A123	C 0.010UF, K, 16V	1	
	C5662	F1G1A473A053	C 0.47UF, 10V	1	
	C5663	F1G1E103A123	C 0.010UF, K, 16V	1	
	C5688	F1H1A225A051	C 22UF, 50V	1	
	C5691	EEHEB1C220UR	C 22PF, J, 16V	1	
	C5695	F2G0J470A019	E 47UF 6.3V	1	
	C5730	F1G1E103A123	C 0.010UF, K, 16V	1	
	C5731	F2G0J470A019	E 47UF 6.3V	1	
	C7700	F1H1C104A143	C 0.1UF, K, 16V	1	
	C7701	F1H1A225A051	C 22UF, 50V	1	
	C7702	F2G0G101A007	E 100UF 6.3V	1	
	C7704	F1H1A1050032	C 10UF, 50V	1	
	C7705	F1H1C104A143	C 0.1UF, K, 16V	1	
	C7706	F1H1A1050032	C 10UF, 50V	1	
	C7708	F1H1A1050032	C 10UF, 50V	1	
	C7709	F1H1A225A051	C 22UF, 50V	1	
	C7710	F1J0J106A020	C 0.010UF, K, 16V	1	
	C7711	F1J0J106A020	C 0.010UF, K, 16V	1	
	C7712	F1H1C104A143	C 0.1UF, K, 16V	1	
	C7713	F1H1H150A971	C 15PF, K, 50V	1	
	C7714	F1H1C104A143	C 0.1UF, K, 16V	1	
	C7715	F1H1H220A971	C 22PF, K, 50V	1	
	C7716	F1J0J106A020	C 0.010UF, K, 16V	1	
	C7717	F1H1C104A143	C 0.1UF, K, 16V	1	
	C7718	F1J0J106A020	C 0.010UF, K, 16V	1	
	C7719	F1H1C104A143	C 0.1UF, K, 16V	1	
	C7720	F1H1C104A143	C 0.1UF, K, 16V	1	
	C7721	F1J0J106A020	C 0.010UF, K, 16V	1	
	C7724	F1H1H150A971	C 15PF, K, 50V	1	
	C7725	F1H1H150A971	C 15PF, K, 50V	1	
	C7729	F1H1H150A971	C 15PF, K, 50V	1	
	C7731	F1H1H150A971	C 15PF, K, 50V	1	
	C7732	F1H1C104A144	C 0.1UF, K, 16V	1	
	C7733	F1H1C104A144	C 0.1UF, K, 16V	1	
	C7736	F1H1C104A144	C 0.1UF, K, 16V	1	
	C7737	F1J0J106A020	C 0.010UF, K, 16V	1	
	C7738	F2G0G101A007	E 100UF 6.3V	1	
	C7742	F1J0J106A020	C 0.010UF, K, 16V	1	
	C8001	F1G1A104A012	C 0.01UF, K, 10V	1	
	C8002	F1G1A104A012	C 0.01UF, K, 10V	1	
	C8003	F1G1A104A012	C 0.01UF, K, 10V	1	
	C8004	F1G1A104A012	C 0.01UF, K, 10V	1	
	C8005	F1G1A104A012	C 0.01UF, K, 10V	1	
	C8006	F1G1A104A012	C 0.01UF, K, 10V	1	
	C8007	F1G1A104A012	C 0.01UF, K, 10V	1	
	C8008	F1G1A104A012	C 0.01UF, K, 10V	1	
	C8009	F1G1A104A012	C 0.01UF, K, 10V	1	
	C8010	F1G1A104A012	C 0.01UF, K, 10V	1	
	C8011	F1J1A106A043	C 0.010UF, K, 10V	1	
	C8012	F1J1A106A043	C 0.010UF, K, 10V	1	
	C8014	F1G1A104A012	C 0.01UF, K, 10V	1	
	C8015	F1G1A104A012	C 0.01UF, K, 10V	1	
	C8016	F1G1A104A012	C 0.01UF, K, 10V	1	
	C8017	F1G1A104A012	C 0.01UF, K, 10V	1	
	C8018	F1G1A104A012	C 0.01UF, K, 10V	1	
	C8019	F1G1A104A012	C 0.01UF, K, 10V	1	
	C8020	F1G1A104A012	C 0.01UF, K, 10V	1	
	C8021	F1G1A104A012	C 0.01UF, K, 10V	1	

Safety	Ref. No.	Part No.	Part Name & Description	Pcs	Remarks
	C8022	F1G1A104A012	C 0.01UF, K, 10V	1	
	C8023	F1G1A104A012	C 0.01UF, K, 10V	1	
	C8024	F1G1A104A012	C 0.01UF, K, 10V	1	
	C8025	F1J1A106A043	C 0.010UF, K, 10V	1	
	C8026	F1J1A106A043	C 0.010UF, K, 10V	1	
	C8027	F1G1A104A012	C 0.01UF, K, 10V	1	
	C8028	F1G1A104A012	C 0.01UF, K, 10V	1	
	C8029	F1G1A104A012	C 0.01UF, K, 10V	1	
	C8030	F1G1A104A012	C 0.01UF, K, 10V	1	
	C8031	F1G1A104A012	C 0.01UF, K, 10V	1	
	C8032	F1G1A104A012	C 0.01UF, K, 10V	1	
	C8033	F1J1A106A043	C 0.010UF, K, 10V	1	
	C8034	F1G1A104A012	C 0.01UF, K, 10V	1	
	C8035	F1G1A104A012	C 0.01UF, K, 10V	1	
	C8036	F1G1A104A012	C 0.01UF, K, 10V	1	
	C8037	F1G1A104A012	C 0.01UF, K, 10V	1	
	C8038	F1G1A104A012	C 0.01UF, K, 10V	1	
	C8039	F1G1A104A012	C 0.01UF, K, 10V	1	
	C8040	F1G1A104A012	C 0.01UF, K, 10V	1	
	C8041	F1G1A104A012	C 0.01UF, K, 10V	1	
	C8042	F1G1A104A012	C 0.01UF, K, 10V	1	
	C8043	F1G1A104A012	C 0.01UF, K, 10V	1	
	C8044	F1G1A104A012	C 0.01UF, K, 10V	1	
	C8045	F1J1A106A043	C 0.010UF, K, 10V	1	
	C8046	F1J1A106A043	C 0.010UF, K, 10V	1	
	C8047	F1J1A106A043	C 0.010UF, K, 10V	1	
	C8048	F1J1A106A043	C 0.010UF, K, 10V	1	
	C8049	F1G1A104A012	C 0.01UF, K, 10V	1	
	C8050	F1G1A104A012	C 0.01UF, K, 10V	1	
	C8051	F1G1A104A012	C 0.01UF, K, 10V	1	
	C8052	F1G1A104A012	C 0.01UF, K, 10V	1	
	C8053	F1G1A104A012	C 0.01UF, K, 10V	1	
	C8054	F1G1A104A012	C 0.01UF, K, 10V	1	
	C8055	F1G1A104A012	C 0.01UF, K, 10V	1	
	C8056	F1G1A104A012	C 0.01UF, K, 10V	1	
	C8057	F1G1A104A012	C 0.01UF, K, 10V	1	
	C8058	F1G1A104A012	C 0.01UF, K, 10V	1	
	C8059	F1G1A104A012	C 0.01UF, K, 10V	1	
	C8060	F1H0J1050012	C 1UF, K, 16V	1	
	C8061	F1H0J1050012	C 1UF, K, 16V	1	
	C8062	F1G1A104A012	C 0.01UF, K, 10V	1	
	C8070	F1H0J1050012	C 1UF, K, 16V	1	
	C8071	F1H0J1050012	C 1UF, K, 16V	1	
	C8072	F1G1A104A012	C 0.01UF, K, 10V	1	
	C8073	F1H0J1050012	C 1UF, K, 16V	1	
	C8074	F1G1A104A012	C 0.01UF, K, 10V	1	
	C8075	F1H0J1050012	C 1UF, K, 16V	1	
	C8076	F1G1A104A012	C 0.01UF, K, 10V	1	
	C8077	F1G1A104A012	C 0.01UF, K, 10V	1	
	C8078	F1G1A104A012	C 0.01UF, K, 10V	1	
	C8079	F1G1A104A012	C 0.01UF, K, 10V	1	
	C8080	F1G1A104A012	C 0.01UF, K, 10V	1	
	C8081	F1G1A104A012	C 0.01UF, K, 10V	1	
	C8082	F1G1A104A012	C 0.01UF, K, 10V	1	
	C8083	F1G1A104A012	C 0.01UF, K, 10V	1	
	C8084	F1G1A104A012	C 0.01UF, K, 10V	1	
	C8085	F1G1A104A012	C 0.01UF, K, 10V	1	
	C8101	F1G1H180A731	C 18UF, 50V	1	
	C8102	F1G1H7R0A732	C 7.0UF, 50V	1	
	C8103	F1H0J1050012	C 1UF, K, 16V	1	
	C8104	F1G1C1030008	C 0.010UF, K, 16V	1	
	C8105	F1J1A106A043	C 0.010UF, K, 10V	1	
	C8106	F1G1A104A012	C 0.01UF, K, 10V	1	
	C8107	F1G1A104A012	C 0.01UF, K, 10V	1	
	C8201	F1G1A105A047	C 1UF, K, 10V	1	
	C8202	ECGMX0E101R	E 100UF, 10V	1	

Safety	Ref. No.	Part No.	Part Name & Description	Pcs	Remarks
	C8203	FIG1A105A047	C 1UF, K, 10V	1	
	C8204	FIG1A105A047	C 1UF, K, 10V	1	
	C8205	FIG1A105A047	C 1UF, K, 10V	1	
	C8206	FIG1A105A047	C 1UF, K, 10V	1	
	C8208	FIG1A104A012	C 0.01UF, K, 10V	1	
	C8209	FIG1A105A047	C 1UF, K, 10V	1	
	C8210	FIG1A105A047	C 1UF, K, 10V	1	
	C8211	FIG1A105A047	C 1UF, K, 10V	1	
	C8212	FIG1A105A047	C 1UF, K, 10V	1	
	C8213	FIG1A105A047	C 1UF, K, 10V	1	
	C8214	FIG1A104A012	C 0.01UF, K, 10V	1	
	C8215	FIG1A104A012	C 0.01UF, K, 10V	1	
	C8216	FIG1A104A012	C 0.01UF, K, 10V	1	
	C8217	FIG1A104A012	C 0.01UF, K, 10V	1	
	C8218	FIG1A104A012	C 0.01UF, K, 10V	1	
	C8219	FIG1A104A012	C 0.01UF, K, 10V	1	
	C8220	FIG1A104A012	C 0.01UF, K, 10V	1	
	C8221	FIG1A105A047	C 1UF, K, 10V	1	
	C8222	FIG1A105A047	C 1UF, K, 10V	1	
	C8223	FIG1A105A047	C 1UF, K, 10V	1	
	C8224	FIG1A105A047	C 1UF, K, 10V	1	
	C8225	FIG1A105A047	C 1UF, K, 10V	1	
	C8226	FIG1A104A012	C 0.01UF, K, 10V	1	
	C8227	FIG1A104A012	C 0.01UF, K, 10V	1	
	C8228	FIG1A104A012	C 0.01UF, K, 10V	1	
	C8229	FIG1A104A012	C 0.01UF, K, 10V	1	
	C8230	FIG1A105A047	C 1UF, K, 10V	1	
	C8231	ECGMX0E101R	E 100UF, 10V	1	
	C8232	FIG1A105A047	C 1UF, K, 10V	1	
	C8233	FIG1A105A047	C 1UF, K, 10V	1	
	C8234	FIG1A105A047	C 1UF, K, 10V	1	
	C8235	FIG1A105A047	C 1UF, K, 10V	1	
	C8306	FIG1H102A730	C 1000UF, 50V	1	A
	C8307	FIG1C104A116	C 0.10UF, K, 16V	1	A
	C8309	FIG1C104A116	C 0.10UF, K, 16V	1	A
	C8310	F2G0J101A007	E 100UF 6.3V	1	A
	C8311	FIG1H180A731	C 18UF, 50V	1	A
	C8312	FIG1H120A731	C 12UF, 50V	1	A
	C8313	FIG1E103A123	C 0.010UF, K, 16V	1	A
	C8314	FIG1E103A123	C 0.010UF, K, 16V	1	A
	C8319	FIG1E103A123	C 0.010UF, K, 16V	1	A
	C8320	FIG1E103A123	C 0.010UF, K, 16V	1	A
	C8321	FIG1E103A123	C 0.010UF, K, 16V	1	A
	C8327	FIG1H1A1050032	C 10UF, 50V	1	A
	C8328	FIG1H1A1050032	C 10UF, 50V	1	A
	C8329	FIG1E103A123	C 0.010UF, K, 16V	1	A
	C8330	FIG1E103A123	C 0.010UF, K, 16V	1	A
	C8331	FIG1E103A123	C 0.010UF, K, 16V	1	A
	C8332	FIG1E103A123	C 0.010UF, K, 16V	1	A
	C8333	FIG1E103A123	C 0.010UF, K, 16V	1	A
	C8334	FIG1E103A123	C 0.010UF, K, 16V	1	A
	C8335	FIG1E103A123	C 0.010UF, K, 16V	1	A
	C8336	FIG1E103A123	C 0.010UF, K, 16V	1	A
	C8338	FIG1H220A731	C 22UF, 50V	1	A
	C8339	FIG1H220A731	C 22UF, 50V	1	A
	C8340	FIG1E103A123	C 0.010UF, K, 16V	1	A
	C8501	F2G0J470A019	E 47UF 6.3V	1	
	C8580	FIG1C104A116	C 0.10UF, K, 16V	1	
	C8581	FIG1C104A116	C 0.10UF, K, 16V	1	
	C8601	FIG1C104A116	C 0.10UF, K, 16V	1	
	C8620	FIG1A104A012	C 0.01UF, K, 10V	1	
	C8621	FIG1A104A012	C 0.01UF, K, 10V	1	

Safety	Ref. No.	Part No.	Part Name & Description	Pcs	Remarks
	C8622	FIG1A104A012	C 0.01UF, K, 10V	1	
	C8623	FIG1A106A043	C 0.010UF, K, 10V	1	
	C8624	FIG1A104A012	C 0.01UF, K, 10V	1	
	C8625	FIG1H5R0A732	C 5.0PF, K, 50V	1	
	C8626	FIG1H5R0A732	C 5.0PF, K, 50V	1	
	C8627	FIG1A104A012	C 0.01UF, K, 10V	1	
	C8628	FIG1A106A043	C 0.010UF, K, 10V	1	
	C8629	FIG1A106A043	C 0.010UF, K, 10V	1	
	C8630	FIG1A104A012	C 0.01UF, K, 10V	1	
	C8631	FIG1A104A012	C 0.01UF, K, 10V	1	
	C8632	FIG1A104A012	C 0.01UF, K, 10V	1	
	C8633	FIG1A106A043	C 0.010UF, K, 10V	1	
	C8634	FIG1A104A012	C 0.01UF, K, 10V	1	
	C8635	FIG1A104A012	C 0.01UF, K, 10V	1	
	C8637	F2G0J101A019	E 100UF 6.3V	1	
	C8638	FIG1H0J1050012	C 1UF, K, 16V	1	
	C8639	FIG1A104A012	C 0.01UF, K, 10V	1	
	C8640	FIG1A106A043	C 0.010UF, K, 10V	1	
	C8641	FIG1A104A012	C 0.01UF, K, 10V	1	
	C8642	FIG1A106A043	C 0.010UF, K, 10V	1	
	C8643	ECUV1A335KBN	C 33UF 10V	1	
	C8644	FIG1A104A012	C 0.01UF, K, 10V	1	
	C8645	FIG1A104A012	C 0.01UF, K, 10V	1	
	C8646	FIG1A104A012	C 0.01UF, K, 10V	1	
	C8647	FIG1A106A043	C 0.010UF, K, 10V	1	
	C8648	FIG1A104A012	C 0.01UF, K, 10V	1	
	C8649	FIG1A104A012	C 0.01UF, K, 10V	1	
	C8650	FIG1A106A043	C 0.010UF, K, 10V	1	
	C8651	FIG1A104A012	C 0.01UF, K, 10V	1	
	C8652	FIG1A104A012	C 0.01UF, K, 10V	1	
	C8653	FIG1A104A012	C 0.01UF, K, 10V	1	
	C8654	FIG1A104A012	C 0.01UF, K, 10V	1	
	C8851	FIG1C1030008	C 0.010UF, K, 16V	1	
	C8852	FIG1H680A731	C 68UF, 50V	1	
	C8853	FIG1H680A731	C 68UF, 50V	1	
	C8854	FIG1H680A731	C 68UF, 50V	1	
	C8855	FIG1H680A731	C 68UF, 50V	1	
	C8856	FIG1C1030008	C 0.010UF, K, 16V	1	
	C9001	ECJ1VB1H104K	C 0.1UF, K, 50V	1	
	C9033	FIG1C104A119	C 0.10UF, K, 16V	1	
	C9034	FIG1C104A119	C 0.10UF, K, 16V	1	
	C9035	FIG1A106A043	C 0.010UF, K, 10V	1	
	C9036	FIG1A106A043	C 0.010UF, K, 10V	1	
	C9037	FIG1E103A123	C 0.010UF, K, 16V	1	
	C9055	FIG1C104A119	C 0.10UF, K, 16V	1	
	C9056	FIG1C104A119	C 0.10UF, K, 16V	1	
	C9057	FIG1C104A119	C 0.10UF, K, 16V	1	
	C9058	FIG1A106A043	C 0.010UF, K, 10V	1	
	C9067	FIG1E103A123	C 0.010UF, K, 16V	1	
	C9068	FIG1E103A123	C 0.010UF, K, 16V	1	
	C9069	FIG1E103A123	C 0.010UF, K, 16V	1	
	C9096	FIG1C104A116	C 0.10UF, K, 16V	1	
	C9097	FIG1C104A116	C 0.10UF, K, 16V	1	
	C9098	FIG1C104A116	C 0.10UF, K, 16V	1	
	C9099	FIG1C104A116	C 0.10UF, K, 16V	1	
	C9100	FIG1C104A116	C 0.10UF, K, 16V	1	
	C9101	FIG1C104A116	C 0.10UF, K, 16V	1	
	C9102	FIG1C104A116	C 0.10UF, K, 16V	1	
	C9103	FIG1C104A116	C 0.10UF, K, 16V	1	



Safety	Ref. No.	Part No.	Part Name & Description	Pcs	Remarks
	C9313	FIH1A1050032	C 10UF, 50V	1	
	C9314	FIH1A1050032	C 10UF, 50V	1	
	C9317	ECJ1VB1H104K	C 0.1UF, K, 50V	1	
	C9318	ECJ1VB1H104K	C 0.1UF, K, 50V	1	
	C9319	ECJ1VB1H104K	C 0.1UF, K, 50V	1	
	C9320	ECJ1VB1H104K	C 0.1UF, K, 50V	1	
	C9321	ECJ1VB1H104K	C 0.1UF, K, 50V	1	
	C9322	ECJ1VB1H104K	C 0.1UF, K, 50V	1	
	C9323	ECJ1VB1H104K	C 0.1UF, K, 50V	1	
	C9324	ECJ1VB1H104K	C 0.1UF, K, 50V	1	
	C9333	FIJ1E3340003	C 0.33UF, Z, 25V	1	
	C9334	FIJ1E3340003	C 0.33UF, Z, 25V	1	
	C9335	FIJ1E3340003	C 0.33UF, Z, 25V	1	
	C9336	FIJ1E3340003	C 0.33UF, Z, 25V	1	
	C9337	FIH1H223A970	C 0.22UF, K, 50V	1	
	C9338	FIH1H223A970	C 0.22UF, K, 50V	1	
	C9339	FIH1H223A970	C 0.22UF, K, 50V	1	
	C9340	FIH1H223A970	C 0.22UF, K, 50V	1	
	C9341	FIJ1E3340003	C 0.33UF, Z, 25V	1	
	C9342	FIJ1E3340003	C 0.33UF, Z, 25V	1	
	C9343	FIJ1E3340003	C 0.33UF, Z, 25V	1	
	C9344	FIJ1E3340003	C 0.33UF, Z, 25V	1	
	C9345	FIH1H223A970	C 0.22UF, K, 50V	1	
	C9346	FIH1H223A970	C 0.22UF, K, 50V	1	
	C9347	FIH1H223A970	C 0.22UF, K, 50V	1	
	C9348	FIH1H223A970	C 0.22UF, K, 50V	1	
	C9353	ECJ1VB1H104K	C 0.1UF, K, 50V	1	
	C9354	ECJ1VB1H104K	C 0.1UF, K, 50V	1	
	C9359	ECJ1VB1H104K	C 0.1UF, K, 50V	1	
	C9360	ECJ1VB1H104K	C 0.1UF, K, 50V	1	
	C9361	EEFGL1E471P	E 470UF, 25V	1	
	C9362	EEFGL1E471P	E 470UF, 25V	1	
	C9363	ECJ3YB1E106M	C 10 UF, K, 25V	1	
	C9364	ECJ3YB1E106M	C 10 UF, K, 25V	1	
	C9375	FIH1H223A970	C 0.22UF, K, 50V	1	
	C9376	FIH1H223A970	C 0.22UF, K, 50V	1	
	C9377	FIH1H223A970	C 0.22UF, K, 50V	1	
	C9378	FIH1H223A970	C 0.22UF, K, 50V	1	
	C9379	FIH1H223A970	C 0.22UF, K, 50V	1	
	C9380	FIH1H223A970	C 0.22UF, K, 50V	1	
	C9381	FIH1H223A970	C 0.22UF, K, 50V	1	
	C9382	FIH1H223A970	C 0.22UF, K, 50V	1	
	C9383	ECJ1VC1H102K	C 1000PF, K, 50V	1	
	C9384	ECJ1VC1H102K	C 1000PF, K, 50V	1	
	C9385	ECJ1VC1H102K	C 1000PF, K, 50V	1	
	C9386	ECJ1VC1H102K	C 1000PF, K, 50V	1	
	C9387	ECJ1VC1H102K	C 1000PF, K, 50V	1	
	C9388	ECJ1VC1H102K	C 1000PF, K, 50V	1	
	C9389	ECJ1VC1H102K	C 1000PF, K, 50V	1	
	C9390	ECJ1VC1H102K	C 1000PF, K, 50V	1	
	C9406	EEHBL1E470P	C 47PF, J, 25V	1	
	C9407	FIH1C104A143	C 0.1UF, K, 16V	1	
	C9408	FIJ1E105A171	C 1 UF 25V	1	
	C9469	FIG1C104A119	C 0.10UF, K, 16V	1	
	C9535	FIG1C104A116	C 0.10UF, K, 16V	1	
	C9536	FIG1C104A116	C 0.10UF, K, 16V	1	
	C9537	FIG1C104A116	C 0.10UF, K, 16V	1	
	C9538	FIG1C104A116	C 0.10UF, K, 16V	1	
	C9539	FIG1C104A116	C 0.10UF, K, 16V	1	
	C9540	FIG1C104A116	C 0.10UF, K, 16V	1	
	C9541	FIG1C104A116	C 0.10UF, K, 16V	1	
	C9542	FIG1C104A116	C 0.10UF, K, 16V	1	
	C9543	FIG1C104A116	C 0.10UF, K, 16V	1	
	C9544	FIG1C104A116	C 0.10UF, K, 16V	1	
	C9545	FIG1C104A116	C 0.10UF, K, 16V	1	
	C9546	FIG1C104A116	C 0.10UF, K, 16V	1	
	C9547	FIG1C104A116	C 0.10UF, K, 16V	1	
	C9548	FIG1C104A116	C 0.10UF, K, 16V	1	
	C9549	FIG1C104A116	C 0.10UF, K, 16V	1	
	C9550	FIG1C104A116	C 0.10UF, K, 16V	1	
	C9551	FIJ1A106A043	C 0.010UF, K, 10V	1	
	C9552	FIJ1A106A043	C 0.010UF, K, 10V	1	

Safety	Ref. No.	Part No.	Part Name & Description	Pcs	Remarks
	C9553	FIJ1A106A043	C 0.010UF, K, 10V	1	
	C9823	ECJ3YB1E106M	C 10 UF, K, 25V	1	
	C9825	FIG1H101A731	C 100PF, K, 50V	1	
	C9832	FIJ1A106A043	C 0.010UF, K, 10V	1	
	C9837	FIJ1A106A043	C 0.010UF, K, 10V	1	
	C9840	FIG1E103A123	C 0.010UF, K, 16V	1	
	C9841	FIG1C104A119	C 0.10UF, K, 16V	1	
	C9842	FIG1C104A119	C 0.10UF, K, 16V	1	
	C9844	FIG1E103A123	C 0.010UF, K, 16V	1	
	C9845	FIG1C104A119	C 0.10UF, K, 16V	1	
	C9846	FIG1C104A119	C 0.10UF, K, 16V	1	
	C9858	ECJ3YB1E106M	C 10 UF, K, 25V	1	
	C9859	FIG1E103A123	C 0.010UF, K, 16V	1	
	C9860	FIJ0J475A035	C 4.7UF, K, 16V	1	
	C9861	FIH1E104A129	C 0.1UF, 25V	1	
	C9862	FIH1E104A129	C 0.1UF, 25V	1	
	C9863	FIJ0J475A035	C 4.7UF, K, 16V	1	
	C9864	FIH1E104A129	C 0.1UF, 25V	1	
	C9865	ECGR10G680ER	C 68PF, J, 4V	1	
	C9866	ECGR10G680ER	C 68PF, J, 4V	1	
	C9867	ECJ3YB1E106M	C 10 UF, K, 25V	1	
	C9868	ECJ3YB1E106M	C 10 UF, K, 25V	1	
	C9869	ECJ3YB1E106M	C 10 UF, K, 25V	1	
	C9870	ECJ3YB1E106M	C 10 UF, K, 25V	1	
	C9871	ECJ3YB1E106M	C 10 UF, K, 25V	1	
	C9872	ECJ3YB1E106M	C 10 UF, K, 25V	1	
	C9873	ECGR10G680ER	C 68PF, J, 4V	1	
	C9874	FIG1H680A731	C 68UF, 50V	1	
	C9877	FIG1H680A731	C 68UF, 50V	1	
	C9878	FIG1E103A123	C 0.010UF, K, 16V	1	
	C9879	FIG1C153A116	C 0.015UF, K, 16V	1	
	C9880	FIG1A563A032	C 0.56UF, 10V	1	
	C9881	FIG1E103A123	C 0.010UF, K, 16V	1	
	C9882	FIG1C822A116	C 8200UF, K, 16V	1	
	C9883	FIG1H101A731	C 100PF, K, 50V	1	
	C9884	FIG1H102A730	C 1000UF, 50V	1	
	C9885	FIG1H102A730	C 1000UF, 50V	1	
	C9886	FIH1E104A129	C 0.1UF, 25V	1	
	C9887	FIH1E104A129	C 0.1UF, 25V	1	
	C9888	FIG1H361A731	C 360UF, 50V	1	
	C9927	FIG1C104A116	C 0.10UF, K, 16V	1	
	C9928	FIG1C104A116	C 0.10UF, K, 16V	1	
	C9929	FIG1C104A116	C 0.10UF, K, 16V	1	
	C9930	FIG1C104A116	C 0.10UF, K, 16V	1	
	C9931	FIG1C104A116	C 0.10UF, K, 16V	1	
	C9932	FIG1C104A116	C 0.10UF, K, 16V	1	
	C9933	FIG1C104A116	C 0.10UF, K, 16V	1	
	C9934	FIG1C104A116	C 0.10UF, K, 16V	1	
	C9935	FIG1C104A116	C 0.10UF, K, 16V	1	
	C9936	FIG1C104A116	C 0.10UF, K, 16V	1	
	C9937	FIG1C104A116	C 0.10UF, K, 16V	1	
	C9938	FIG1C104A116	C 0.10UF, K, 16V	1	
	C9939	FIG1C104A116	C 0.10UF, K, 16V	1	
	C9940	FIG1C104A116	C 0.10UF, K, 16V	1	
	C9941	FIG1C104A116	C 0.10UF, K, 16V	1	
	C9942	FIG1C104A116	C 0.10UF, K, 16V	1	
	C9943	FIG1C104A116	C 0.10UF, K, 16V	1	
	C9944	FIG1C104A116	C 0.10UF, K, 16V	1	
	C9945	FIG1C104A116	C 0.10UF, K, 16V	1	
	C9946	FIG1C104A116	C 0.10UF, K, 16V	1	
	C9947	FIG1C104A116	C 0.10UF, K, 16V	1	
	C9948	FIG1C104A116	C 0.10UF, K, 16V	1	
	C9951	FIJ1A106A043	C 0.010UF, K, 10V	1	
	C9966	FIG1C104A116	C 0.10UF, K, 16V	1	



Safety	Ref. No.	Part No.	Part Name & Description	Pcs	Remarks
	C9971	F1G1H180A731	C 18UF, 50V	1	
	C9972	F1G1H150A731	C 15UF, 50V	1	
	C14352	F1J1C1050030	C 1UF, Z, 16V	1	
	C14356	F1J1C1050030	C 1UF, Z, 16V	1	
	C14361	F1L2E104A028	E 1000UF, 25V	1	
	C14364	F1J1C1050030	C 1UF, Z, 16V	1	
	C14368	F1J1C1050030	C 1UF, Z, 16V	1	
	C14371	F1L2E104A028	E 1000UF, 25V	1	
	C14373	F1G1H102A730	C 1000UF, 50V	1	
	C14374	F1L2E104A028	E 1000UF, 25V	1	
	C14376	F1L2E104A028	E 1000UF, 25V	1	
	C14383	F1L2E104A028	E 1000UF, 25V	1	
	C14386	F1L2E104A028	E 1000UF, 25V	1	
	C14901	F1G1H102A730	C 1000UF, 50V	1	
	C14902	F1J1C1050030	C 1UF, Z, 16V	1	
	C14904	F1J1C1050030	C 1UF, Z, 16V	1	
	C14906	F1J1C1050030	C 1UF, Z, 16V	1	
	C14908	F1J1C1050030	C 1UF, Z, 16V	1	
	C14910	F1J1C1050030	C 1UF, Z, 16V	1	
	C14912	F1J1C1050030	C 1UF, Z, 16V	1	
	C14919	F1L2E104A028	E 1000UF, 25V	1	
	C14921	F1L2E104A028	E 1000UF, 25V	1	
	C14923	F1L2E104A028	E 1000UF, 25V	1	
	C14925	F1L2E104A028	E 1000UF, 25V	1	
	C14927	F1L2E104A028	E 1000UF, 25V	1	
	C14928	F1L2E104A028	E 1000UF, 25V	1	
	C14930	F1L2E104A028	E 1000UF, 25V	1	
	C14931	F1G1H102A730	C 1000UF, 50V	1	
	C14935	F1L2E104A028	E 1000UF, 25V	1	
	C14936	F1G1H471A731	C 470UF, 50V	1	
	C14937	F1G1H471A731	C 470UF, 50V	1	
	C14938	F1G1H471A731	C 470UF, 50V	1	
	C14939	F1G1H471A731	C 470UF, 50V	1	
	C14940	F1G1H102A730	C 1000UF, 50V	1	
	C14941	F1G1H471A731	C 470UF, 50V	1	
	C14942	F1G1H471A731	C 470UF, 50V	1	
	C14943	F1L1E4750004	C 4.7UF, 25V	1	
	C14944	F1H1H102A971	C 1000PF, K, 50V	1	
	C14945	F1G1H101A731	C 100PF, K, 50V	1	
	C14950	F1G1H471A731	C 470UF, 50V	1	
	C14952	F1J1C1050030	C 1UF, Z, 16V	1	
	C14955	F1J1C1050030	C 1UF, Z, 16V	1	
	C14957	F1J1C1050030	C 1UF, Z, 16V	1	
	C14958	F1J1C1050030	C 1UF, Z, 16V	1	
	C14961	F1J1C1050030	C 1UF, Z, 16V	1	
	C14963	F1J1C1050030	C 1UF, Z, 16V	1	
	C14969	ECJ1VB1H104K	C 0.1UF, K, 50V	1	
	C14970	F1G1H471A731	C 470UF, 50V	1	
	C14971	F1G1H471A731	C 470UF, 50V	1	
	C14972	F1G1H471A731	C 470UF, 50V	1	
	C14973	F1G1H102A730	C 1000UF, 50V	1	
	C14976	F1G1H102A730	C 1000UF, 50V	1	
	C14978	F1L2E104A028	E 1000UF, 25V	1	
	C14979	F1L2E104A028	E 1000UF, 25V	1	
	C14980	F1L2E104A028	E 1000UF, 25V	1	
	C14981	F1G1H471A731	C 470UF, 50V	1	
	C14982	F1L2E104A028	E 1000UF, 25V	1	
	C14984	F1L2E104A028	E 1000UF, 25V	1	
	C14985	F1L2E104A028	E 1000UF, 25V	1	
	C14987	ECJ1VB1H104K	C 0.1UF, K, 50V	1	
	C14988	ECJ1VB1H104K	C 0.1UF, K, 50V	1	
	C14989	F1G1H471A731	C 470UF, 50V	1	
	C14990	ECJ1VB1H104K	C 0.1UF, K, 50V	1	
	C14992	F1H1C105A008	C 1UF, K, 16V	1	
	C16003	F1L2J562A022	C 5600UF, K, 6.3V	1	
	C16011	F2A2T251A004	E 250UF, 220V	1	
	C16012	F2A2T251A004	E 250UF, 220V	1	
	C16013	F2A2T251A004	E 250UF, 220V	1	
	C16014	F2A2T251A004	E 250UF, 220V	1	
	C16015	F2A2T251A004	E 250UF, 220V	1	
	C16018	F0C2E225A231	E 0.022UF, 250V	1	
	C16023	F1L2J562A022	C 5600UF, K, 6.3V	1	
	C16071	F1L2J1520001	C 1500UF, K, 6.3V	1	

Safety	Ref. No.	Part No.	Part Name & Description	Pcs	Remarks
	C16092	F1L2J1520001	C 1500UF, K, 6.3V	1	
	C16131	F1L1E4750004	C 4.7UF, 25V	1	
	C16133	F1L1E4750004	C 4.7UF, 25V	1	
	C16135	F1K1E105A029	C 1UF, Z, 25V	1	
	C16151	F1K1E105A029	C 1UF, Z, 25V	1	
	C16152	F1L1E4750004	C 4.7UF, 25V	1	
	C16153	F1L1E4750004	C 4.7UF, 25V	1	
	C16154	F1L1E4750004	C 4.7UF, 25V	1	
	C16157	F1L1E4750004	C 4.7UF, 25V	1	
	C16191	F1L1E4750004	C 4.7UF, 25V	1	
	C16192	ECJ1VB1E104K	C 0.10UF, K, 25V	1	
	C16194	F1L1E4750004	C 4.7UF, 25V	1	
	C16195	F1L1E4750004	C 4.7UF, 25V	1	
	C16197	F1L1E4750004	C 4.7UF, 25V	1	
	C16201	F0C2E225A231	E 0.022UF, 250V	1	
	C16202	F0C2E225A231	E 0.022UF, 250V	1	
	C16203	F0C2E225A231	E 0.022UF, 250V	1	
	C16204	F0C2E225A231	E 0.022UF, 250V	1	
	C16205	F0C2E225A231	E 0.022UF, 250V	1	
	C16206	F0C2E225A231	E 0.022UF, 250V	1	
	C16241	F2A1A101A106	E 100UF, 10V	1	
	C16242	F1H1C105A008	C 1UF, K, 16V	1	
	C16243	F1H1H103A970	C 0.001UF, K, 50V	1	
	C16251	F1H1C105A008	C 1UF, K, 16V	1	
	C16252	F1K1E105A029	C 1UF, Z, 25V	1	
	C16262	F2AZZ821A012	E 820UF, 80V	1	
	C16263	F2AZZ821A012	E 820UF, 80V	1	
	C16267	F2AZZ821A012	E 820UF, 80V	1	
	C16268	F2AZZ821A012	E 820UF, 80V	1	
	C16269	F2AZZ821A012	E 820UF, 80V	1	
	C16270	F2AZZ821A012	E 820UF, 80V	1	
	C16271	F0C2E405A230	E 0.040UF, 250V	1	
	C16272	F2A1E471A487	E 470UF, 25V	1	
	C16273	F0C2E405A230	E 0.040UF, 250V	1	
	C16280	F1K1E105A029	C 1UF, Z, 25V	1	
	C16284	ECJ1VB1H104K	C 0.1UF, K, 50V	1	
	C16285	ECJ1VB1H104K	C 0.1UF, K, 50V	1	
	C16288	ECJ1VB1H104K	C 0.1UF, K, 50V	1	
	C16289	ECJ1VB1H104K	C 0.1UF, K, 50V	1	
	C16301	F2A1E470A454	E 47UF, 25V	1	
	C16302	F1H1H471A219	C 470UF, 50V	1	
	C16303	ECJ1XB1C103K	C 0.010UF, K, 16V	1	
	C16310	F2A2T251A004	E 250UF, 220V	1	
	C16311	F1H1A1050032	C 10UF, 50V	1	
	C16312	F1H1H472A970	C 4700PF, K, 50V	1	
	C16313	F1H1C105A008	C 1UF, K, 16V	1	
	C16321	F1L2E224A028	E 2200UF, 25V	1	
	C16322	F1L2E224A028	E 2200UF, 25V	1	
	C16323	F2A1E470A454	E 47UF, 25V	1	
	C16324	F2A1E471A487	E 470UF, 25V	1	
	C16325	F1L1E4750004	C 4.7UF, 25V	1	
	C16326	F1L1E4750004	C 4.7UF, 25V	1	
	C16328	F2A2D201A226	E 220UF, 200V	1	
	C16329	F2A2D201A226	E 220UF, 200V	1	
	C16331	F0C2E225A231	E 0.022UF, 250V	1	
	C16332	F1E2J332A002	C 3300PF, 600V	1	
	C16402	F1L2J562A022	C 5600UF, K, 6.3V	1	
	C16411	F2A2T251A004	E 250UF, 220V	1	
	C16413	F2A2T251A004	E 250UF, 220V	1	
	C16414	F2A2T251A004	E 250UF, 220V	1	
	C16415	F2A2T251A004	E 250UF, 220V	1	
	C16416	F2A2T251A004	E 250UF, 220V	1	
	C16417	F2A2T251A004	E 250UF, 220V	1	
	C16419	F0C2E225A231	E 0.022UF, 250V	1	
	C16423	F1L2J562A022	C 5600UF, K, 6.3V	1	
	C16471	F1L2J1520001	C 1500UF, K, 6.3V	1	
	C16472	F1K1E105A029	C 1UF, Z, 25V	1	
	C16491	F1L2J1520001	C 1500UF, K, 6.3V	1	
	C16501	F1K1E105A029	C 1UF, Z, 25V	1	
	C16502	F1L1E4750004	C 4.7UF, 25V	1	
	C16503	F2A1E471A487	E 470UF, 25V	1	
	C16504	F1L1E4750004	C 4.7UF, 25V	1	

Safety	Ref. No.	Part No.	Part Name & Description	Pcs	Remarks
	C16505	FK1E105A029	C 1UF, Z, 25V	1	
	C16521	FK1E105A029	C 1UF, Z, 25V	1	
	C16522	F1L1E4750004	C 4.7UF, 25V	1	
	C16523	F1L1E4750004	C 4.7UF, 25V	1	
	C16524	F1L1E4750004	C 4.7UF, 25V	1	
	C16525	F1L1E4750004	C 4.7UF, 25V	1	
	C16533	ECJ1VB1H104K	C 0.1UF, K, 50V	1	
	C16535	ECJ1VB1H104K	C 0.1UF, K, 50V	1	
	C16536	ECJ1VB1H104K	C 0.1UF, K, 50V	1	
	C16562	F1H1C105A008	C 1UF, K, 16V	1	
	C16563	F2A1A101A106	E 100UF, 10V	1	
	C16564	F1H1C105A008	C 1UF, K, 16V	1	
	C16565	F1H1H103A970	C 0.001UF, K, 50V	1	
	C16566	F1H1H103A970	C 0.001UF, K, 50V	1	
	C16581	FK1E105A029	C 1UF, Z, 25V	1	
	C16582	F1H1C105A008	C 1UF, K, 16V	1	
	C16593	F1H1H102A971	C 1000PF, K, 50V	1	
	C16602	F1H1H220A971	C 22PF, K, 50V	1	
	C16603	FK2J102A014	C 1000UF, K,6.3V	1	
	C16604	FK2J102A014	C 1000UF, K,6.3V	1	
	C16605	F1H1H220A971	C 22PF, K, 50V	1	
	C16606	F1H1H220A971	C 22PF, K, 50V	1	
	C16608	F1H1H221A971	C 220UF, K, 50V	1	
	C16631	FOC2E225A231	E 0.022UF, 250V	1	
	C16632	FOC2E225A231	E 0.022UF, 250V	1	
	C16633	FOC2E225A231	E 0.022UF, 250V	1	
	C16634	FOC2E225A231	E 0.022UF, 250V	1	
	C16635	FOC2E225A231	E 0.022UF, 250V	1	
	C16636	FOC2E225A231	E 0.022UF, 250V	1	
	C16641	F1L2E153A029	E 0.015UF, 25V	1	
	C16642	F1L2E153A029	E 0.015UF, 25V	1	
	C16661	FK2J102A014	C 1000UF, K,6.3V	1	
	C16662	FK2J102A014	C 1000UF, K,6.3V	1	
	C16664	F1H1H820A971	C 82UF, 50V	1	
	C16665	F1H1H820A971	C 82UF, 50V	1	
	C16666	F1H1H820A971	C 82UF, 50V	1	
	C16684	ECJ1VB1H104K	C 0.1UF, K, 50V	1	
	C16685	ECJ1VB1H104K	C 0.1UF, K, 50V	1	
	C16691	F2A2C101A169	E 1000UF, 160V	1	
	C16692	F2A2C101A169	E 1000UF, 160V	1	
	C16707	F1H1H220A971	C 22PF, K, 50V	1	
	C16708	ECJ1VB1H104K	C 0.1UF, K, 50V	1	
	C16721	F2A1E221A487	E 220UF, 25V	1	
	C16723	F1L1E4750004	C 4.7UF, 25V	1	
	C16724	F1L1E4750004	C 4.7UF, 25V	1	
	C16725	F1L1E4750004	C 4.7UF, 25V	1	
	C16753	F1L1E4750004	C 4.7UF, 25V	1	
	C16755	F1L1E4750004	C 4.7UF, 25V	1	
	C16756	F1L1E4750004	C 4.7UF, 25V	1	
	C16771	F1H1C105A008	C 1UF, K, 16V	1	
	C16772	F1L1E4750004	C 4.7UF, 25V	1	
	C16773	F1L1E4750004	C 4.7UF, 25V	1	
	C16775	F1L1E4750004	C 4.7UF, 25V	1	
	C16791	F2A1E221A487	E 220UF, 25V	1	
	C16795	F2A1E471A487	E 470UF, 25V	1	
	C16796	F2A1E471A487	E 470UF, 25V	1	
	C16797	ECJ1VB1H104K	C 0.1UF, K, 50V	1	
	C16798	F1L2E104A028	E 1000UF, 25V	1	
	C16806	F2A2C101A169	E 1000UF, 160V	1	
	C16811	ECJ3VC1H472J	C 4700PF, J, 50V	1	
	C16813	F2A2C101A169	E 1000UF, 160V	1	
	C16814	F1H1H561A971	C 560UF, 50V	1	
	C16821	ECJ1VB1H104K	C 0.1UF, K, 50V	1	
	C16822	F2A2G470A187	E 470UF, 400V	1	
	C16823	F1L2J562A022	C 5600UF, K,6.3V	1	
	C16835	F2A1E221A487	E 220UF, 25V	1	
	C16842	F2A2C101A169	E 1000UF, 160V	1	
	C16843	ECJ1VB1H104K	C 0.1UF, K, 50V	1	
	C16844	ECJ1VB1H104K	C 0.1UF, K, 50V	1	
	C16855	F1H1C105A008	C 1UF, K, 16V	1	
	C16856	F1H1A1050032	C 10UF, 50V	1	
	C16857	F1H1H472A970	C 4700PF, K, 50V	1	

Safety	Ref. No.	Part No.	Part Name & Description	Pcs	Remarks
	C16858	F1H1C104A143	C 0.1UF, K, 16V	1	
	C16860	F1H1A1050032	C 10UF, 50V	1	
	C16861	F1H1H472A970	C 4700PF, K, 50V	1	
	C16862	F1H1C104A143	C 0.1UF, K, 16V	1	
	C16863	F1H1H103A970	C 0.001UF, K, 50V	1	
	C16864	ECJ1VB1H104K	C 0.1UF, K, 50V	1	
	C16866	F1H1A1050032	C 10UF, 50V	1	
	C16867	F1H1H472A970	C 4700PF, K, 50V	1	
	C16868	F1H1C104A143	C 0.1UF, K, 16V	1	
	C16869	ECJ1VB1H104K	C 0.1UF, K, 50V	1	
	C17106	F1H1A1050032	C 10UF, 50V	1	
	C17107	F1H1A1050032	C 10UF, 50V	1	
	C17108	F1H1A1050032	C 10UF, 50V	1	
	C17109	F1H1A1050032	C 10UF, 50V	1	
	C17110	F1H1A1050032	C 10UF, 50V	1	
	C17132	F1H1C104A143	C 0.1UF, K, 16V	1	
	C17133	F1H1C104A143	C 0.1UF, K, 16V	1	
	C17134	F1H1C104A143	C 0.1UF, K, 16V	1	
	C17135	F1H1C104A143	C 0.1UF, K, 16V	1	
	C17136	F1H1C104A143	C 0.1UF, K, 16V	1	
	C17137	F1H1C104A143	C 0.1UF, K, 16V	1	
	C17141	FK2A474A006	C 0.47UF, 100V	1	
	C17142	FK2A474A006	C 0.47UF, 100V	1	
	C17143	FK2A474A006	C 0.47UF, 100V	1	
	C17144	FK2A474A006	C 0.47UF, 100V	1	
	C17145	FK2A474A006	C 0.47UF, 100V	1	
	C17146	FK2A474A006	C 0.47UF, 100V	1	
	C17147	FK2A474A006	C 0.47UF, 100V	1	
	C17148	FK2A474A006	C 0.47UF, 100V	1	
	C17149	FK2A474A006	C 0.47UF, 100V	1	
	C17150	FK2A474A006	C 0.47UF, 100V	1	
	C17201	F1H1A1050032	C 10UF, 50V	1	
	C17202	F1H1A1050032	C 10UF, 50V	1	
	C17203	F1H1A1050032	C 10UF, 50V	1	
	C17208	F1H1A1050032	C 10UF, 50V	1	
	C17209	F1H1A1050032	C 10UF, 50V	1	
	C17231	F1H1C104A143	C 0.1UF, K, 16V	1	
	C17232	F1H1C104A143	C 0.1UF, K, 16V	1	
	C17233	F1H1C104A143	C 0.1UF, K, 16V	1	
	C17234	F1H1C104A143	C 0.1UF, K, 16V	1	
	C17235	F1H1C104A143	C 0.1UF, K, 16V	1	
	C17236	F1H1C104A143	C 0.1UF, K, 16V	1	
	C17237	F1H1C104A143	C 0.1UF, K, 16V	1	
	C17238	F1H1C104A143	C 0.1UF, K, 16V	1	
	C17239	F1H1C104A143	C 0.1UF, K, 16V	1	
	C17241	FK2A474A006	C 0.47UF, 100V	1	
	C17242	FK2A474A006	C 0.47UF, 100V	1	
	C17243	FK2A474A006	C 0.47UF, 100V	1	
	C17244	FK2A474A006	C 0.47UF, 100V	1	
	C17245	FK2A474A006	C 0.47UF, 100V	1	
	C17246	FK2A474A006	C 0.47UF, 100V	1	
	C17247	FK2A474A006	C 0.47UF, 100V	1	
	C17248	FK2A474A006	C 0.47UF, 100V	1	
	C17249	FK2A474A006	C 0.47UF, 100V	1	
	C17250	FK2A474A006	C 0.47UF, 100V	1	
	C17304	F1H1A1050032	C 10UF, 50V	1	
	C17305	F1H1A1050032	C 10UF, 50V	1	
	C17306	F1H1A1050032	C 10UF, 50V	1	
	C17307	F1H1A1050032	C 10UF, 50V	1	
	C17310	F1H1A1050032	C 10UF, 50V	1	
	C17331	F1H1C104A143	C 0.1UF, K, 16V	1	
	C17332	F1H1C104A143	C 0.1UF, K, 16V	1	
	C17333	F1H1C104A143	C 0.1UF, K, 16V	1	
	C17334	F1H1C104A143	C 0.1UF, K, 16V	1	
	C17335	F1H1C104A143	C 0.1UF, K, 16V	1	
	C17338	F1H1C104A143	C 0.1UF, K, 16V	1	
	C17341	FK2A474A006	C 0.47UF, 100V	1	
	C17342	FK2A474A006	C 0.47UF, 100V	1	
	C17343	FK2A474A006	C 0.47UF, 100V	1	
	C17344	FK2A474A006	C 0.47UF, 100V	1	
	C17345	FK2A474A006	C 0.47UF, 100V	1	
	C17346	FK2A474A006	C 0.47UF, 100V	1	

Safety	Ref. No.	Part No.	Part Name & Description	Pcs	Remarks
	C17347	F1K2A474A006	C 0.47UF, 100V	1	
	C17348	F1K2A474A006	C 0.47UF, 100V	1	
	C17349	F1K2A474A006	C 0.47UF, 100V	1	
	C17350	F1K2A474A006	C 0.47UF, 100V	1	
	C17351	F1K2A474A006	C 0.47UF, 100V	1	
	CB1	K1MN68BA0052	68P CONNECTOR	1	
	CB2	K1MN68BA0052	68P CONNECTOR	1	
	CB3	K1MN68BA0052	68P CONNECTOR	1	
	CB4	K1MN68BA0052	68P CONNECTOR	1	
	CB5	K1MN68BA0052	68P CONNECTOR	1	
	CB6	K1MN68BA0052	68P CONNECTOR	1	
	CB7	K1MN68BA0052	68P CONNECTOR	1	
	CB8	K1MN68BA0052	68P CONNECTOR	1	
	CB9	K1MN68BA0052	68P CONNECTOR	1	
	CB10	K1MN68BA0052	68P CONNECTOR	1	
	CB11	K1MN68BA0052	68P CONNECTOR	1	
	CB12	K1MN68BA0052	68P CONNECTOR	1	
	CB13	K1MN68BA0052	68P CONNECTOR	1	
	CB14	K1MN68BA0052	68P CONNECTOR	1	
	CB15	K1MN68BA0052	68P CONNECTOR	1	
	D3	K1KA14B00129	14P CONNECTOR	1	
	D5	K1KB31BA0064	31P CONNECTOR	1	
	D6	K1KA20AA0009	20P CONNECTOR	1	
	D20	K1MN35BA0266	35P CONNECTOR	1	
	D25	K1KA13B00069	13P CONNECTOR	1	
	D31	K1MN68BA0266	68P CONNECTOR	1	
	D32	K1MN68BA0266	68P CONNECTOR	1	
	D33	K1MN68BA0266	68P CONNECTOR	1	
	D853	MA2J11100L	DIODE	1	
	D855	MA2J11100L	DIODE	1	
	D856	MA2J11100L	DIODE	1	
	D857	MA2J11100L	DIODE	1	
	D859	B0JCME000037	DIODE	1	
	D860	MAZ81100ML	ZENER DIODE	1	
	D861	MA2J11100L	DIODE	1	
	D862	MAZ80330LL	ZENER DIODE	1	
	D1107	MA3X704A0L	ZENER DIODE	1	
	D1112	MA2J72800L	ZENER DIODE	1	
	D2004	MA2J11100L	DIODE	1	
	D2005	MA2J11100L	DIODE	1	
	D2006	MA2J11100L	DIODE	1	
	D2007	MA2J11100L	DIODE	1	
	D2009	MA2J11100L	DIODE	1	
	D2010	MA2J11100L	DIODE	1	
	D2013	MA2J11100L	DIODE	1	
	D2020	MA3X78900L	ZENER DIODE	1	
	D2024	B0BC03900015	ZENER DIODE	1	
	D2201	MA3X704A0L	ZENER DIODE	1	
	D2300	MA2J11100L	DIODE	1	
	D2301	B0HCMM000014	DIODE	1	
	D2302	B0HCMM000014	DIODE	1	
	D2512	MAZ80560ML	ZENER DIODE	1	
	D2520	LNJ107W5PRW	LED	1	
	D2524	MAZ80560ML	ZENER DIODE	1	
	D2530	MAZ80560ML	ZENER DIODE	1	
	D3057	B0BC01100001	ZENER DIODE	1	
	D3077	MAZ81400ML	ZENER DIODE	1	
	D3082	B0BC01100001	ZENER DIODE	1	
	D3086	MAZ81400ML	ZENER DIODE	1	
	D3090	MAZ81400ML	ZENER DIODE	1	
	D3091	MAZ81400ML	ZENER DIODE	1	
	D3092	MAZ81400ML	ZENER DIODE	1	
	D3093	MAZ81400ML	ZENER DIODE	1	
	D3702	MAZ81400ML	ZENER DIODE	1	
	D3703	MAZ81400ML	ZENER DIODE	1	
	D3704	MAZ81400ML	ZENER DIODE	1	
	D3705	MAZ81400ML	ZENER DIODE	1	
	D3706	MAZ81400ML	ZENER DIODE	1	
	D3801	EZAEG2A50AX	DIODE	1	
	D3802	EZAEG2A50AX	DIODE	1	
	D3803	EZAEG2A50AX	DIODE	1	

Safety	Ref. No.	Part No.	Part Name & Description	Pcs	Remarks
	D3804	EZAEG2A50AX	DIODE	1	
	D3805	EZAEG2A50AX	DIODE	1	
	D3806	EZAEG2A50AX	DIODE	1	
	D3807	EZJZ0V80008B	VARISTOR	1	
	D3808	EZJZ0V80008B	VARISTOR	1	
	D3809	EZAEG2A50AX	DIODE	1	
	D3810	EZAEG2A50AX	DIODE	1	
	D3811	EZJZ0V80008B	VARISTOR	1	
	D3813	B0HCMM000014	DIODE	1	
	D3814	B0HCMM000014	DIODE	1	
	D3815	EZJZ0V120JA	VARISTOR	1	
	D4502	EZAEG2A50AX	DIODE	1	
	D4503	EZAEG2A50AX	DIODE	1	
	D4504	EZAEG2A50AX	DIODE	1	
	D4505	EZAEG2A50AX	DIODE	1	
	D4506	EZAEG2A50AX	DIODE	1	
	D4507	EZAEG2A50AX	DIODE	1	
	D4508	EZAEG2A50AX	DIODE	1	
	D4509	EZAEG2A50AX	DIODE	1	
	D4510	EZAEG2A50AX	DIODE	1	
	D4511	EZAEG2A50AX	DIODE	1	
	D4512	EZAEG2A50AX	DIODE	1	
	D4513	B0BC5R6A0275	DIODE	1	
	D4514	EZAEG2A50AX	DIODE	1	
	D4515	B0BC5R6A0275	DIODE	1	
	D4516	EZAEG2A50AX	DIODE	1	
	D4517	EZAEG2A50AX	DIODE	1	
	D4518	EZAEG2A50AX	DIODE	1	
	D4519	EZAEG2A50AX	DIODE	1	
	D4520	EZAEG2A50AX	DIODE	1	
	D4521	EZAEG2A50AX	DIODE	1	
	D4522	EZAEG2A50AX	DIODE	1	
	D4523	EZAEG2A50AX	DIODE	1	
	D4541	MA2J11100L	DIODE	1	
	D4542	MA2J11100L	DIODE	1	
	D4544	EZAEG2A50AX	DIODE	1	
	D4545	EZAEG2A50AX	DIODE	1	
	D4546	EZAEG2A50AX	DIODE	1	
	D4547	EZAEG2A50AX	DIODE	1	
	D4548	EZAEG2A50AX	DIODE	1	
	D4549	EZAEG2A50AX	DIODE	1	
	D4550	B0BC5R6A0275	DIODE	1	
	D4551	EZAEG2A50AX	DIODE	1	
	D4552	EZAEG2A50AX	DIODE	1	
	D4553	EZAEG2A50AX	DIODE	1	
	D4554	EZAEG2A50AX	DIODE	1	
	D4560	MA2J11100L	DIODE	1	
	D4561	MA2J11100L	DIODE	1	
	D4562	MA2J11100L	DIODE	1	
	D4563	MA2J11100L	DIODE	1	
	D4564	MA2J11100L	DIODE	1	
	D4565	MA2J11100L	DIODE	1	
	D4566	B0HCMM000014	DIODE	1	
	D5201	MA2J72800L	ZENER DIODE	1	
	D5301	MA22D3900L	DIODE	1	
	D5302	MA22D3900L	DIODE	1	
	D5303	B0JCDD000002	DIODE	1	
	D5304	B0JCDD000002	DIODE	1	
	D5307	B0BC4R000002	ZENER DIODE	1	
	D5308	B0BC4R000002	ZENER DIODE	1	
	D5406	B0JCME000037	DIODE	1	
	D5407	B0BC4R700007	ZENER DIODE	1	
	D5408	B0BC4R700007	ZENER DIODE	1	
	D5409	B0JCME000037	DIODE	1	
	D5410	B0BC4R700007	ZENER DIODE	1	
	D5411	B0BC4R700007	ZENER DIODE	1	
	D5502	B0BC01000035	ZENER DIODE	1	
	D5503	B0BC01100001	ZENER DIODE	1	
	D5504	B0BC6R600005	ZENER DIODE	1	
	D5521	B0ADEJ000035	ZENER DIODE	1	
	D5522	B0ADEJ000035	ZENER DIODE	1	
	D5574	B0BC3R700006	ZENER DIODE	1	
	D5575	B0BC3R700006	ZENER DIODE	1	

Safety	Ref. No.	Part No.	Part Name & Description	Pcs	Remarks
	D5576	MA3X152E0L	ZENER DIODE	1	
	D5577	MAZ80680LL	ZENER DIODE	1	
	D5578	MA8120M	ZENER DIODE	1	
	D5579	MAZ80680LL	ZENER DIODE	1	
	D5580	MA2J11100L	DIODE	1	
	D5600	B0BC4R700007	ZENER DIODE	1	
	D5601	MA22D3900L	DIODE	1	
	D5602	MA22D3900L	DIODE	1	
	D5603	B0JCDD000002	DIODE	1	
	D5604	B0JCDD000002	DIODE	1	
	D5605	MA22D3900L	DIODE	1	
	D5606	B0JCDD000002	DIODE	1	
	D5607	B0BC4R700007	ZENER DIODE	1	
	D5608	B0BC4R700007	ZENER DIODE	1	
	D5691	B0BC6R600005	ZENER DIODE	1	
	D5692	MAZ80560LL	ZENER DIODE	1	
	D7800	B3AEB0000107	LED	1	
	D8901	MA2J72800L	ZENER DIODE	1	
	D8952	MA2J72800L	ZENER DIODE	1	
	D9002	K7AAAY000003	PHOTO LINK	1	
	D9014	MA2J11100L	DIODE	1	
	D9017	MA2J11100L	DIODE	1	
	D9024	B0JCCE000008	DIODE	1	
	D9025	B0JCCE000008	DIODE	1	
	D9026	B0JCCE000008	DIODE	1	
	D9027	B0BC3R3A0273	ZENER DIODE	1	
	D9028	B0BC3R3A0273	ZENER DIODE	1	
	D9029	B0BC3R3A0273	ZENER DIODE	1	
	D9110	B0JCGD000002	DIODE	1	
	D9807	B0JCCE000008	DIODE	1	
	D9808	B0JCCE000008	DIODE	1	
	D9812	MA22D3900L	DIODE	1	
	D9813	B0JCGD000002	DIODE	1	
	D9814	B0JCGD000002	DIODE	1	
	D9815	B0JCGD000002	DIODE	1	
	D9816	MA22D3900L	DIODE	1	
	D9817	MA22D3900L	DIODE	1	
	D14903	BOHCMM000013	DIODE	1	
	D14904	BOHCMM000013	DIODE	1	
	D14905	BOHCMM000013	DIODE	1	
	D14906	BOHCMM000013	DIODE	1	
	D14907	BOHCMM000013	DIODE	1	
	D14908	BOHCMM000013	DIODE	1	
	D14909	MA3X152E0L	ZENER DIODE	1	
	D14910	MA2J11100L	DIODE	1	
	D14911	BOHCMM000013	DIODE	1	
	D14912	BOHCMM000013	DIODE	1	
	D14913	BOHCMM000013	DIODE	1	
	D14914	BOHCMM000013	DIODE	1	
	D14953	BOHCMM000013	DIODE	1	
	D14954	BOHCMM000013	DIODE	1	
	D14955	BOHCMM000013	DIODE	1	
	D14956	BOHCMM000013	DIODE	1	
	D14957	BOHCMM000013	DIODE	1	
	D14958	BOHCMM000013	DIODE	1	
	D14959	BOHCMM000013	DIODE	1	
	D14960	BOHCMM000013	DIODE	1	
	D14961	MA8056H	ZENER DIODE	1	
	D14974	MA3X152E0L	ZENER DIODE	1	
	D14975	MA2J11100L	DIODE	1	
	D14976	MA2J11100L	DIODE	1	
	D14977	BOHCMM000013	DIODE	1	
	D14978	BOHCMM000013	DIODE	1	
	D14979	MA2J11100L	DIODE	1	
	D16001	B0FBCN000005	DIODE	1	
	D16002	B0FBCN000005	DIODE	1	
	D16003	B0FBCN000005	DIODE	1	
	D16021	MA3DF30000LW	ZENER DIODE	1	
	D16022	MA3DF30000LW	ZENER DIODE	1	
	D16032	MA2J11100L	DIODE	1	
	D16041	MA3DF46000LW	ZENER DIODE	1	
	D16042	MA3DF46000LW	ZENER DIODE	1	
	D16043	MA3DF46000LW	ZENER DIODE	1	

Safety	Ref. No.	Part No.	Part Name & Description	Pcs	Remarks
	D16050	BOECKP000047	DIODE	1	
	D16663	MAZ81500ML	ZENER DIODE	1	
	D16664	MAZ81500ML	ZENER DIODE	1	
	D16665	MAZ80510LL	ZENER DIODE	1	
	D16667	MA2J11100L	DIODE	1	
	D16668	MA3X152D0L	DIODE	1	
	D16669	MA2J11100L	DIODE	1	
	D16671	MA2J11100L	DIODE	1	
	D16702	MA2J11100L	DIODE	1	
	D16710	MAZ815000L	ZENER DIODE	1	
	D16711	BOHCMR000002	DIODE	1	
	D16712	MAZ815000L	ZENER DIODE	1	
	D16713	BOHCMR000002	DIODE	1	
	D16714	MAZ815000L	ZENER DIODE	1	
	D16715	BOHCMR000002	DIODE	1	
	D16717	MA8330M	ZENER DIODE	1	
	D16718	MA2J11100L	DIODE	1	
	D16719	BOECKP000047	DIODE	1	
	D16720	BOECKP000047	DIODE	1	
	D16721	BOHCKS000002	DIODE	1	
	D16722	MA2J11100L	DIODE	1	
	D16725	MA2J11100L	DIODE	1	
	D16761	MA22D3900L	DIODE	1	
	D16764	BOHCKS000002	DIODE	1	
	D16765	BOECKP000047	DIODE	1	
	D16781	MA2J11100L	DIODE	1	
	D16791	MAZ82000ML	ZENER DIODE	1	
	D16792	MA2J11100L	DIODE	1	
	D16793	BOHCKS000002	DIODE	1	
	D16794	MA2J11100L	DIODE	1	
	D16820	MA3X152E0L	ZENER DIODE	1	
	D16821	MAZ82000ML	ZENER DIODE	1	
	D16822	MA2J11100L	DIODE	1	
	D16824	MA8330M	ZENER DIODE	1	
	D16825	MA8330M	ZENER DIODE	1	
	D16835	BOECKP000047	DIODE	1	
	D16859	BOHCKS000002	DIODE	1	
	D16860	BOHCKS000002	DIODE	1	
	D16861	MA8330M	ZENER DIODE	1	
	D16862	MA8330M	ZENER DIODE	1	
	D16871	MAZ82000ML	ZENER DIODE	1	
	D16873	MAZ82000ML	ZENER DIODE	1	
	D16874	MAZ80510LL	ZENER DIODE	1	
	D16875	MA2J11100L	DIODE	1	
	D17101	BOECKM000038	DIODE	1	
	D17102	BOECKM000038	DIODE	1	
	D17103	BOECKM000038	DIODE	1	
	D17104	BOECKM000038	DIODE	1	
	D17105	BOECKM000038	DIODE	1	
	D17201	BOECKM000038	DIODE	1	
	D17202	BOECKM000038	DIODE	1	
	D17203	BOECKM000038	DIODE	1	
	D17204	BOECKM000038	DIODE	1	
	D17205	BOECKM000038	DIODE	1	
	D17301	BOECKM000038	DIODE	1	
	D17302	BOECKM000038	DIODE	1	
	D17303	BOECKM000038	DIODE	1	
	D17304	BOECKM000038	DIODE	1	
	D17305	BOECKM000038	DIODE	1	
	FL3710	JOZZA0000091	FILTER	1	
	FL3711	JOZZA0000091	FILTER	1	
	FL3712	JOZZA0000091	FILTER	1	
	FL3713	JOZZA0000091	FILTER	1	
	FL3714	JOZZA0000091	FILTER	1	
	FL4206	ECJ1VB0J474K	C 0.47UF, K, 6.3V	1	
	FL5015	JOJAD0000028	CHIP INDUCTOR	1	
	FL5016	JOJAD0000028	CHIP INDUCTOR	1	
	FL5017	JOJAD0000028	CHIP INDUCTOR	1	
	FL5018	JOJAD0000028	CHIP INDUCTOR	1	
	FL5019	JOJAD0000028	CHIP INDUCTOR	1	
	FL5020	JOJAD0000028	CHIP INDUCTOR	1	

Safety	Ref. No.	Part No.	Part Name & Description	Pcs	Remarks
	FL5731	JOHABH000013	LC FILTER	1	
	FL5732	JOHABH000013	LC FILTER	1	
	FL5733	JOHABH000013	LC FILTER	1	
	FL5734	JOHABH000013	LC FILTER	1	
	FL9001	JOHABB000003	LC FILTER	1	
	FL9002	JOHABB000003	LC FILTER	1	
	FL9003	JOHABB000004	LC FILTER	1	
	FL9004	JOHABB000004	LC FILTER	1	
	FL9005	JOHABB000004	LC FILTER	1	
	FL9803	FLJ1E104A148	C 0.10UF, Z, 25V	1	
	FL9805	FLJ1E104A148	C 0.10UF, Z, 25V	1	
	FL9806	FLJ1E104A148	C 0.10UF, Z, 25V	1	
	FL17101	JOHABH000013	LC FILTER	1	
	FL17201	JOHABH000013	LC FILTER	1	
	G51	K1KY16BA0192	16P CONNECTOR	1	
	GH10	K1FY121E0001	CONNECTOR	1	
	GH11	K1KA30AA0009	30P CONNECTOR	1	
	GL02	K1KA02B00294	2P CONNECTOR	1	
	GS02	K1KA02A00787	2P CONNECTOR	1	
	GS09	K1KA06A00508	6P CONNECTOR	1	
	H11	K1KA05AA0190	5P CONNECTOR	1	
	H12	K1KA04AA0190	4P CONNECTOR	1	
	HC12	K1KY15AA0606	15P CONNECTOR	1	
	HC13	K1KY23AA0606	23P CONNECTOR	1	
	HC14	K1KY23AA0606	23P CONNECTOR	1	
	HC15	K1KA11AA0715	11P CONNECTOR	1	
	HC16	K1KA20AA0009	20P CONNECTOR	1	
	IC850	C0DBAZF00003	IC	1	
	IC1100	MN103SG3FFPA1	IC	1	
	IC1101	TVRQ307	IC	1	A
	IC1101	TVRQ306	IC	1	M/MR/MS
	IC2008	C0CBCBE00001	IC	1	
	IC2012	C1BB00000947	IC	1	
	IC2013	C0DBGYY00281	IC	1	
	IC2106	C1AB00002909	IC	1	
	IC2107	C0DBFFD00003	IC	1	
	IC2109	C0DBGHF00001	IC	1	
	IC2110	C0DBGHF00001	IC	1	A
	IC2403	C1AB00002877	IC	1	
	IC2602	C3ABRY000037	IC	1	
	IC2603	C0DBEFH00002	IC	1	
	IC2604	C1AB00002930	IC	1	
	IC3007	AN15876A-VT	IC	1	
	IC3009	AN15862A-VT	IC	1	
	IC3801	C1AB00002835	IC	1	
	IC3802	TVRQ130	IC	1	
	IC4001	C1AB00002687	IC	1	
	IC4002	C0CBCAC00358	IC	1	
	IC4005	C0CBCBC00227	IC	1	
	IC4013	C0JBAZ002060	IC	1	
	IC4200	C1AB00002886	IC	1	
	IC4502	C0JBAU000034	IC	1	
	IC4503	C1AB00002929	IC	1	
	IC4504	C0JBAU000034	IC	1	
	IC4510	C1AB00002966	IC	1	
	IC4511	C0CBCBE00001	IC	1	
	IC4512	C0DBGYY00477	IC	1	
	IC4513	C0DBGYY00477	IC	1	
	IC4516	TVRQ215	IC	1	
	IC5001	C3ABRY000015	IC	1	
	IC5002	C3ABRY000015	IC	1	
	IC5100	MN84527	IC	1	
	IC5300	C0CBCBD00062	IC	1	
	IC5301	C0DBAYY00274	IC	1	
	IC5402	C0DBAYY00183	IC	1	
	IC5403	C0DBAYY00183	IC	1	

Safety	Ref. No.	Part No.	Part Name & Description	Pcs	Remarks
	IC5404	C0DBEHG000006	IC	1	
	IC5405	C0DBGYY00204	IC	1	
	IC5501	EHMDD9851	LINEAR IC	1	
	IC5562	C0CBCAC00282	IC	1	
	IC5563	C0CBCAF00032	IC	1	
	IC5600	C0DBAYY00273	IC	1	
	IC5601	C0DBAYY00274	IC	1	
	IC5660	C0EBM0000026	IC	1	
	IC7700	TVRP965	IC	1	
	IC7701	C0DBEHG000006	IC	1	
	IC7702	C1CB00002668	IC	1	
	IC8001	MN2WS0031CTY	IC	1	
	IC8101	C0ZBZ0001567	IC	1	
	IC8201	C3ABSY000010	IC	1	
	IC8202	C3ABSY000010	IC	1	
	IC8203	C3ABRY000015	IC	1	
	IC8204	C3ABRY000015	IC	1	
	IC8301	C1AB00002710	IC	1	A
	IC8302	C0DBGFD00004	IC	1	A
	IC8580	TVRQ211	IC	1	A
	IC8580	TVRQ049	IC	1	M/MR/MS
	IC8601	TVRQ109	IC	1	A
	IC8601	TVRQ104	IC	1	M/MR
	IC8601	TVRQ107	IC	1	MS
	IC8620	C1CB00002607	IC	1	
	IC8621	C0DBZYY00266	IC	1	
	IC9001	C1AB00002875	IC	1	(HC)
	IC9001	TVRQ058	IC	1	(D)
	IC9002	C1AB00002875	IC	1	(HC)
	IC9002	C1ZBZ0003577	IC	1	(D)
	IC9003	C1ZBZ0003775	IC	1	(HC)
	IC9003	MN103SG4GPF3	IC	1	(D)
	IC9011	C0EBF0000431	IC	1	
	IC9013	C0JBAZ002060	IC	1	
	IC9019	C0JBAZ001120	IC	1	
	IC9300	MN84526	IC	1	
	IC9301	C3ABQJ000055	IC	1	
	IC9303	TVRQ068	IC	1	
	IC9400	MN84526	IC	1	
	IC9401	C3ABQJ000055	IC	1	
	IC9500	C1ZBZ0003760	IC	1	
	IC9802	C0JBAZ001120	IC	1	
	IC9803	C0JBAZ001120	IC	1	
	IC9805	C0DBAYY00274	IC	1	
	IC9806	C0DBAYY00273	IC	1	
	IC14901	AN16181A-VT	IC	1	
	IC14902	AN16181A-VT	IC	1	
	IC14903	AN16181A-VT	IC	1	
	IC14904	AN16181A-VT	IC	1	
	IC14905	AN16181A-VT	IC	1	
	IC14906	AN16181A-VT	IC	1	
	IC14907	AN16181A-VT	IC	1	
	IC14908	AN16181A-VT	IC	1	
	IC14951	AN16181A-VT	IC	1	
	IC14952	AN16181A-VT	IC	1	
	IC14953	AN16181A-VT	IC	1	
	IC14954	AN16181A-VT	IC	1	
	IC14955	AN16181A-VT	IC	1	
	IC14956	AN16181A-VT	IC	1	
	IC14957	AN16181A-VT	IC	1	
	IC14958	AN16181A-VT	IC	1	
	IC14961	C0JBAZ000994	IC	1	
	IC14962	C0JBAZ000994	IC	1	
	IC14963	C0JBAE000321	IC	1	
	IC14964	C0JBAA000174	IC	1	
	IC14965	C0JBAE000321	IC	1	
	IC16131	C0ZBZ0000895	IC	1	
	IC16151	C0ZBZ0001324	IC	1	
	IC16241	C0JBAZ002811	IC	1	
	IC16251	C0BBBA000024	IC	1	
	IC16301	MIP9L02MBS	IC	1	
	IC16302	C0CBALC00012	IC	1	
	IC16303	C0JBAB000715	IC	1	

Safety	Ref. No.	Part No.	Part Name & Description	Pcs	Remarks
	IC16464	C0JBAB000715	IC	1	
	IC16465	C0JBAB000715	IC	1	
	IC16471	C0DBEKA00003	IC	1	
	IC16501	COZBZ0001324	IC	1	
	IC16521	COZBZ0001324	IC	1	
	IC16561	C0JBAZ002811	IC	1	
	IC16562	C0JBAZ002811	IC	1	
	IC16563	C0JBAZ000994	IC	1	
	IC16564	C0JBAB000715	IC	1	
	IC16581	C0BBBA000024	IC	1	
	IC16724	C0CBADC00072	IC	1	
	IC16725	C0CBADC00072	IC	1	
	IC16771	C0CBADC00072	IC	1	
	IC16772	COZBZ0001325	IC	1	
	IC16773	C0JBAB000715	IC	1	
	IC16784	MIP9L02MBS	IC	1	
	IC16786	MIP9L02MBS	IC	1	
	IC16787	C0DBEYY00078	IC	1	
	IC16788	MIP9L02MBS	IC	1	
	IC16789	C0DBEYY00078	IC	1	
	IC16791	EHMDD9863	LINEAR IC	1	
	IC16792	C0JBAA000377	IC	1	
	IC16801	C0DBEYY00078	IC	1	
	IC17101	C0JBAZ001120	IC	1	
	IC17102	C0JBAZ001120	IC	1	
	IC17103	C0JBAZ001120	IC	1	
	IC17104	C0JBAZ001120	IC	1	
	IC17105	C0JBAZ001120	IC	1	
	IC17106	C0JBAZ001120	IC	1	
	IC17201	C0JBAZ001120	IC	1	
	IC17202	C0JBAZ001120	IC	1	
	IC17203	C0JBAZ001120	IC	1	
	IC17204	C0JBAZ001120	IC	1	
	IC17205	C0JBAZ001120	IC	1	
	IC17206	C0JBAZ001120	IC	1	
	IC17207	C0JBAZ001120	IC	1	
	IC17208	C0JBAZ001120	IC	1	
	IC17209	C0JBAZ001120	IC	1	
	IC17301	C0JBAZ001120	IC	1	
	IC17302	C0JBAZ001120	IC	1	
	IC17303	C0JBAZ001120	IC	1	
	IC17304	C0JBAZ001120	IC	1	
	IC17305	C0JBAZ001120	IC	1	
	IC17306	C0JBAZ001120	IC	1	
	JA3701	DOGDR00Z0002	M 0 OHM, 1/10W	1	
	JA3702	DOGDR00Z0002	M 0 OHM, 1/10W	1	
	JA3703	DOGDR00Z0002	M 0 OHM, 1/10W	1	
	JA3704	DOGDR00Z0002	M 0 OHM, 1/10W	1	
	JA3751	ERJ8GEY0R00	M 0 OHM, 1/8W	1	
	JA3752	ERJ8GEY0R00	M 0 OHM, 1/8W	1	
	JA3753	ERJ8GEY0R00	M 0 OHM, 1/8W	1	
	JA3754	ERJ8GEY0R00	M 0 OHM, 1/8W	1	
	JK3100	K1U932A00002	CONNECTOR	1	
	JK3701	K4AK18B00007	TERMINAL	1	
	JK4500	K1FY119D0003	CONNECTOR	1	
	JK4501	K1FY119D0003	CONNECTOR	1	
	JK4502	K1FY119D0003	CONNECTOR	1	
	JK7702	K1NA09E00080	9P CONNECTOR	1	
	JK9001	K1FB315A0006	CONNECTOR	1	
	JS851	DOGDR00Z0002	M 0 OHM, 1/10W	1	
	JS852	DOGDR00Z0002	M 0 OHM, 1/10W	1	
	JS1100	DOYAR0000007	M 0 OHM 1/4W	1	
	JS1109	DOYAR0000007	M 0 OHM 1/4W	1	M/MR
	JS1113	DOYAR0000007	M 0 OHM 1/4W	1	A
	JS1114	DOYAR0000007	M 0 OHM 1/4W	1	MS
	JS2059	DOYAR0000007	M 0 OHM 1/4W	1	
	JS2060	DOYAR0000007	M 0 OHM 1/4W	1	
	JS2061	DOYAR0000007	M 0 OHM 1/4W	1	
	JS2320	DOYAR0000007	M 0 OHM 1/4W	1	
	JS3039	DOYAR0000007	M 0 OHM 1/4W	1	

Safety	Ref. No.	Part No.	Part Name & Description	Pcs	Remarks
	JS3704	DOGDR00Z0002	M 0 OHM, 1/10W	1	
	JS3705	DOGDR00Z0002	M 0 OHM, 1/10W	1	
	JS3707	DOGDR00Z0002	M 0 OHM, 1/10W	1	
	JS3708	DOGDR00Z0002	M 0 OHM, 1/10W	1	
	JS4002	DOYAR0000007	M 0 OHM 1/4W	1	
	JS7700	DOGBR00Z0002	M 0 OHM J 1/16W	1	
	JS9323	DOGBR00Z0002	M 0 OHM J 1/16W	1	
	JS9324	DOGBR00Z0002	M 0 OHM J 1/16W	1	
	JS9325	DOGBR00Z0002	M 0 OHM J 1/16W	1	
	JS9326	DOGBR00Z0002	M 0 OHM J 1/16W	1	
	K1	K1KY12B00001	12P CONNECTOR	1	
	L852	G0C150MA0056	PEAKING COIL	1	
	L1100	J0JYC0000068	CHIP INDUCTOR	1	
	L2001	G1C150KA0038	INDUCTION COIL	1	
	L2005	J0JCC0000284	CHIP INDUCTOR	1	
	L2006	J0JCC0000284	CHIP INDUCTOR	1	
	L2021	G1C470MA0291	INDUCTION COIL	1	
	L2022	G1C100MA0072	INDUCTION COIL	1	
	L2025	J0JCC0000059	CHIP INDUCTOR	1	
	L2026	J0JCC0000059	CHIP INDUCTOR	1	
	L2030	J0JYC0000068	CHIP INDUCTOR	1	
	L2031	J0JYC0000068	CHIP INDUCTOR	1	
	L2032	J0JYC0000068	CHIP INDUCTOR	1	
	L2033	J0JCC0000059	CHIP INDUCTOR	1	M/MR/MS
	L2034	J0JCC0000059	CHIP INDUCTOR	1	M/MR/MS
	L2036	J0JYC0000068	CHIP INDUCTOR	1	
	L2300	J0JYC0000068	CHIP INDUCTOR	1	
	L3032	J0JCC0000100	CHIP INDUCTOR	1	
	L3033	J0JCC0000100	CHIP INDUCTOR	1	
	L3036	J0JCC0000100	CHIP INDUCTOR	1	
	L3037	J0JCC0000100	CHIP INDUCTOR	1	
	L3040	J0JCC0000100	CHIP INDUCTOR	1	
	L3041	J0JCC0000100	CHIP INDUCTOR	1	
	L3042	J0JCC0000100	CHIP INDUCTOR	1	
	L3043	J0JCC0000100	CHIP INDUCTOR	1	
	L3044	J0JCC0000100	CHIP INDUCTOR	1	
	L3045	J0JCC0000100	CHIP INDUCTOR	1	
	L3046	J0JCC0000100	CHIP INDUCTOR	1	
	L3047	J0JCC0000100	CHIP INDUCTOR	1	
	L3048	J0JCC0000100	CHIP INDUCTOR	1	
	L3049	G1C101M00018	INDUCTION COIL	1	
	L3050	G1C101M00018	INDUCTION COIL	1	
	L3700	J0JCC0000364	CHIP INDUCTOR	1	
	L3701	J0JCC0000364	CHIP INDUCTOR	1	
	L3707	J0JCC0000100	CHIP INDUCTOR	1	
	L3708	J0JCC0000100	CHIP INDUCTOR	1	
	L3801	J0JHC0000078	CHIP INDUCTOR	1	
	L3804	J0JHC0000078	CHIP INDUCTOR	1	
	L3805	J0JHC0000078	CHIP INDUCTOR	1	
	L4002	J0JHC0000045	CHIP INDUCTOR	1	
	L4004	J0JYC0000068	CHIP INDUCTOR	1	
	L4006	J0JHC0000045	CHIP INDUCTOR	1	
	L4008	J0JYC0000068	CHIP INDUCTOR	1	
	L4009	J0JYC0000068	CHIP INDUCTOR	1	
	L4212	J0JYC0000068	CHIP INDUCTOR	1	
	L4216	J0JYC0000068	CHIP INDUCTOR	1	
	L4217	J0JYC0000068	CHIP INDUCTOR	1	
	L4219	J0JYC0000068	CHIP INDUCTOR	1	
	L4220	J0JYC0000068	CHIP INDUCTOR	1	
	L4502	J0JYC0000068	CHIP INDUCTOR	1	
	L4503	J0JYC0000068	CHIP INDUCTOR	1	
	L4504	J0JYC0000068	CHIP INDUCTOR	1	
	L4505	J0JYC0000068	CHIP INDUCTOR	1	
	L4506	J0JYC0000068	CHIP INDUCTOR	1	
	L4507	J0JYC0000068	CHIP INDUCTOR	1	
	L4508	J0JYC0000068	CHIP INDUCTOR	1	
	L4511	J0JYC0000068	CHIP INDUCTOR	1	
	L4512	J0JYC0000068	CHIP INDUCTOR	1	
	L4513	J0JYC0000068	CHIP INDUCTOR	1	
	L4514	J0JYC0000068	CHIP INDUCTOR	1	
	L4515	J0JYC0000068	CHIP INDUCTOR	1	

Safety	Ref. No.	Part No.	Part Name & Description	Pcs	Remarks
	L4516	J0JYC0000068	CHIP INDUCTOR	1	
	L4517	J0JYC0000068	CHIP INDUCTOR	1	
	L4518	J0JYC0000068	CHIP INDUCTOR	1	
	L4519	J0JYC0000068	CHIP INDUCTOR	1	
	L4521	J0JYC0000068	CHIP INDUCTOR	1	
	L4522	J0JYC0000068	CHIP INDUCTOR	1	
	L4523	J0JYC0000068	CHIP INDUCTOR	1	
	L5001	J0JHC0000045	CHIP INDUCTOR	1	
	L5002	J0JHC0000045	CHIP INDUCTOR	1	
	L5004	J0JHC0000045	CHIP INDUCTOR	1	
	L5005	J0JHC0000045	CHIP INDUCTOR	1	
	L5006	J0JHC0000045	CHIP INDUCTOR	1	
	L5300	G1C2R2Z00007	INDUCTION COIL	1	
	L5301	G1C2R2Z00007	INDUCTION COIL	1	
	L5302	J0JYC0000068	CHIP INDUCTOR	1	
	L5304	G1C100MA0203	INDUCTION COIL	1	
	L5305	J0JHC0000075	CHIP INDUCTOR	1	
	L5407	G1C330M00027	INDUCTION COIL	1	
	L5409	G1C100MA0291	INDUCTION COIL	1	
	L5410	G1C330M00027	INDUCTION COIL	1	
	L5412	J0JYC0000068	CHIP INDUCTOR	1	
	L5414	G1C100MA0291	INDUCTION COIL	1	
	L5415	J0JYC0000068	CHIP INDUCTOR	1	
	L5501	G0A2R7HA0011	CHOKE COIL	1	
	L5502	G0C150MA0056	PEAKING COIL	1	
	L5503	G0C330MA0056	PEAKING COIL	1	
	L5504	G0A2R7HA0011	CHOKE COIL	1	
	L5505	G0A2R7HA0011	CHOKE COIL	1	
	L5600	G1C3R9Z00003	INDUCTION COIL	1	
	L5601	G1C3R9Z00003	INDUCTION COIL	1	
	L5602	G1C2R2Z00007	INDUCTION COIL	1	
	L5604	G1C100MA0203	INDUCTION COIL	1	
	L5605	J0JHC0000075	CHIP INDUCTOR	1	
	L5606	G1C100MA0203	INDUCTION COIL	1	
	L5610	J0JHC0000035	CHIP INDUCTOR	1	
	L5611	J0JHC0000035	CHIP INDUCTOR	1	
	L5690	J0JYC0000068	CHIP INDUCTOR	1	
	L5691	J0JYC0000068	CHIP INDUCTOR	1	
	L5735	J0JYC0000068	CHIP INDUCTOR	1	
	L7704	J0JHC0000045	CHIP INDUCTOR	1	
	L7705	J0JHC0000045	CHIP INDUCTOR	1	
	L8030	J0JHC0000045	CHIP INDUCTOR	1	
	L8031	J0JHC0000045	CHIP INDUCTOR	1	
	L8032	J0JHC0000045	CHIP INDUCTOR	1	
	L8034	J0JHC0000045	CHIP INDUCTOR	1	
	L8035	J0JHC0000045	CHIP INDUCTOR	1	
	L8036	J0JHC0000045	CHIP INDUCTOR	1	
	L8101	J0JHC0000045	CHIP INDUCTOR	1	
	L8201	J0JHC0000045	CHIP INDUCTOR	1	
	L8301	J0JHC0000045	CHIP INDUCTOR	1	A
	L8304	J0JHC0000045	CHIP INDUCTOR	1	A
	L8501	J0JHC0000045	CHIP INDUCTOR	1	
	L8580	J0JHC0000075	CHIP INDUCTOR	1	
	L8620	J0JHC0000045	CHIP INDUCTOR	1	
	L8621	J0JHC0000045	CHIP INDUCTOR	1	
	L8623	J0JHC0000045	CHIP INDUCTOR	1	
	L9000	J0JHC0000078	CHIP INDUCTOR	1	
	L9001	J0JHC0000078	CHIP INDUCTOR	1	
	L9002	J0JHC0000078	CHIP INDUCTOR	1	
	L9003	J0JHC0000078	CHIP INDUCTOR	1	
	L9004	J0JHC0000078	CHIP INDUCTOR	1	
	L9005	J0JHC0000078	CHIP INDUCTOR	1	
	L9006	J0JHC0000078	CHIP INDUCTOR	1	
	L9007	J0JHC0000078	CHIP INDUCTOR	1	
	L9010	G1C220MA0291	INDUCTION COIL	1	
	L9011	G1C220MA0291	INDUCTION COIL	1	
	L9012	G1C220MA0291	INDUCTION COIL	1	
	L9013	G1C220MA0291	INDUCTION COIL	1	
	L9014	G1C220MA0291	INDUCTION COIL	1	
	L9015	G1C220MA0291	INDUCTION COIL	1	
	L9016	G1C220MA0291	INDUCTION COIL	1	
	L9017	G1C220MA0291	INDUCTION COIL	1	
	L9018	J0JHC0000042	CHIP INDUCTOR	1	

Safety	Ref. No.	Part No.	Part Name & Description	Pcs	Remarks
	L9019	J0JHC0000042	CHIP INDUCTOR	1	
	L9023	G1C3R0ZA0156	INDUCTION COIL	1	
	L9800	G1C2R2Z00007	INDUCTION COIL	1	
	L9801	G1C1R5Z00006	INDUCTION COIL	1	
	L9802	G1C2R2Z00007	INDUCTION COIL	1	
	L16001	G0C1R4KA0118	PEAKING COIL	1	
	L16003	G0C1R4KA0118	PEAKING COIL	1	
	L16004	G0C1R4KA0118	PEAKING COIL	1	
	L16005	G0C1R4KA0118	PEAKING COIL	1	
	L16006	G0C1R4KA0118	PEAKING COIL	1	
	L16012	G0C1R4KA0118	PEAKING COIL	1	
	L16013	G0C1R4KA0118	PEAKING COIL	1	
	L16014	G0C1R4KA0118	PEAKING COIL	1	
	L16015	G0C1R4KA0118	PEAKING COIL	1	
	L16016	G0C1R4KA0118	PEAKING COIL	1	
	L16103	G0ZZ00002183	PEAKING COIL	1	
	L16221	G0ZZ00002183	PEAKING COIL	1	
	L16262	G0ZZ00002183	PEAKING COIL	1	
	L16271	G0ZZ00002183	PEAKING COIL	1	
	L16301	J0JHC0000031	CHIP INDUCTOR	1	
	L16398	J0JJC0000015	CHIP INDUCTOR	1	
	L16399	J0JJC0000015	CHIP INDUCTOR	1	
	L16402	G0C1R4KA0118	PEAKING COIL	1	
	L16403	G0C1R4KA0118	PEAKING COIL	1	
	L16404	G0C1R4KA0118	PEAKING COIL	1	
	L16405	G0C1R4KA0118	PEAKING COIL	1	
	L16406	G0C1R4KA0118	PEAKING COIL	1	
	L16411	G0C1R4KA0118	PEAKING COIL	1	
	L16413	G0C1R4KA0118	PEAKING COIL	1	
	L16414	G0C1R4KA0118	PEAKING COIL	1	
	L16415	G0C1R4KA0118	PEAKING COIL	1	
	L16417	G0C1R4KA0118	PEAKING COIL	1	
	L16472	G0ZZ00002183	PEAKING COIL	1	
	L16473	G0ZZ00002183	PEAKING COIL	1	
	L16474	G0ZZ00002183	PEAKING COIL	1	
	L16591	G0ZZ00002183	PEAKING COIL	1	
	L16698	G0C681KA0187	PEAKING COIL	1	
	L16699	G0C331KA0187	PEAKING COIL	1	
	L16801	G0ZZ00002183	PEAKING COIL	1	
	L16851	G0ZZ00002183	PEAKING COIL	1	
		PA5	K1KA12AA0194	12P CONNECTOR	1
		PA6	K1KA20AA0009	20P CONNECTOR	1
		PA8	K1KA06A00452	6P CONNECTOR	1
		PA33	K1KA04AA0192	4P CONNECTOR	1
		PA35	K1KA03AA0192	3P CONNECTOR	1
		PA36	K1KA04AA0192	4P CONNECTOR	1
		PA37	K1KA03AA0192	3P CONNECTOR	1
	△	PA5200	K5H5022A0023	FUSE	1
		PA5400	K5H5022A0023	FUSE	1
	△	PA5402	K5H1022A0031	FUSE	1
	△	PA5403	K5H1022A0031	FUSE	1
	△	PA5600	K5H5022A0023	FUSE	1
		PA9800	K5H4022A0031	FUSE	1
		PA9900	K5H5022A0031	FUSE	1
		PC2511	B3JB00000046	IC	1
		PC14951	B3PBA0000457	IC	1
		PC14952	B3PBA0000457	IC	1
		PC14953	B3PBA0000456	IC	1
		PC16191	B3PBA0000496	IC	1
		PC16461	B3PBA0000457	IC	1
		PC16480	B3PBA0000223	IC	1
		PC16601	B3PBA0000223	IC	1
		PC16603	B3PBA0000223	IC	1
		PC16684	B3PBA0000496	IC	1
		PC16685	B3PBA0000496	IC	1
		PC16896	B3PBA0000223	IC	1
		PC16897	B3PBA0000223	IC	1
	△	PCB	TXN/A1RETA	CIRCUIT BOARD A	1 A
	△	PCB	TXN/A1RETM	CIRCUIT BOARD A	1 M/MR





Safety	Ref. No.	Part No.	Part Name & Description	Pcs	Remarks
	Q16532	B1HFPPFA00001	TRANSISTOR	1	
	Q16552	B1HFPPFA00001	TRANSISTOR	1	
	Q16601	B1DEET000002	FET	1	
	Q16602	2SD0601AQL	TRANSISTOR	1	
	Q16603	2SB0709ASL	TRANSISTOR	1	
	Q16604	B1CHPM000001	FET	1	
	Q16606	2SD0601AQL	TRANSISTOR	1	
	Q16607	B1CBGD000001	FET	1	
	Q16609	B1CFHL000002	FET	1	
	Q16621	2SK4208000RP	FET	1	
	Q16622	2SK4208000RP	FET	1	
	Q16642	B1JADN000004	TRANSISTOR	1	
	Q16643	B1JADN000004	TRANSISTOR	1	
	Q16661	B1JAER000004	TRANSISTOR	1	
	Q16662	2SD0601AQL	TRANSISTOR	1	
	Q16663	2SB0709ASL	TRANSISTOR	1	
	Q16664	B1HFPPFA00001	TRANSISTOR	1	
	Q16665	B1ABCF000231	TRANSISTOR	1	
	Q16667	B1ADCN000007	TRANSISTOR	1	
	Q16701	B1ADCN000007	TRANSISTOR	1	
	Q16702	B1ABCF000231	TRANSISTOR	1	
	Q16743	2SD0601ARL	TRANSISTOR	1	
	Q16762	B1ADNF000006	TRANSISTOR	1	
	Q16781	B1HFPPFA00001	TRANSISTOR	1	
	Q16795	2SD0601ARL	TRANSISTOR	1	
	Q16796	2SC1473A	TRANSISTOR	1	
	Q16801	B1ADCN000007	TRANSISTOR	1	
	Q16810	B1ABCF000231	TRANSISTOR	1	
	Q16814	B1ABCN000007	TRANSISTOR	1	
	Q16815	B1ABCN000007	TRANSISTOR	1	
	Q16816	2SD0601AQL	TRANSISTOR	1	
	Q16817	2SD0601AQL	TRANSISTOR	1	
	Q16871	2SB0709ARL	TRANSISTOR	1	
	Q16872	2SB0709ARL	TRANSISTOR	1	
	Q16873	B1ABCF000231	TRANSISTOR	1	
	Q16874	B1CBGD000001	FET	1	
	Q16875	B1ABCF000231	TRANSISTOR	1	
	Q16876	B1ABCF000231	TRANSISTOR	1	
	Q16879	B1ABCF000231	TRANSISTOR	1	
	R853	ERJ6GEYJ472V	M 4.7K OHM J 1/10W	1	
	R855	ERJ6GEYJ472V	M 4.7K OHM J 1/10W	1	
	R856	ERJ6GEYJ472V	M 4.7K OHM J 1/10W	1	
	R857	ERJ6GEYJ472V	M 4.7K OHM J 1/10W	1	
	R859	ERJ6ENF2101	M2.10KOHM, 1/10W	1	
	R861	ERJ6GEYJ472V	M 4.7K OHM J 1/10W	1	
	R864	DOGDR00Z0002	M 0 OHM, 1/10W	1	
	R869	ERJ6GEYJ102V	M 1K OHM J 1/10W	1	
	R871	ERJ6ENF1302	M 13KOHM, 1/10W	1	
	R872	ERJ6ENF3300	M 330 OHM, 1/10W	1	
	R874	ERJ6GEYJ471	M 470 OHM,J,1/10W	1	
	R880	DOGDR00Z0002	M 0 OHM, 1/10W	1	
	R883	DOGDR00Z0002	M 0 OHM, 1/10W	1	
	R884	DOGDR00Z0002	M 0 OHM, 1/10W	1	
	R891	ERJ6GEY0R00V	M 0 OHM J 1/10W	1	
	R1100	ERJ2GEJ101	M 100 OHM, J,0.063W	1	
	R1101	DOYAR0000007	M 0 OHM 1/4W	1	
	R1102	ERJ2GEJ101	M 100 OHM, J,0.063W	1	
	R1103	ERJ2RKD330	M 33 OHM, J, 2W	1	
	R1104	ERJ2GEJ473	M 47KOHM, J,0.063W	1	
	R1105	ERJ2GEJ101	M 100 OHM, J,0.063W	1	
	R1106	ERJ2GEJ101	M 100 OHM, J,0.063W	1	
	R1107	ERJ2GEJ101	M 100 OHM, J,0.063W	1	

Safety	Ref. No.	Part No.	Part Name & Description	Pcs	Remarks
	R1108	ERJ2GEJ101	M 100 OHM, J,0.063W	1	
	R1109	ERJ2GEJ101	M 100 OHM, J,0.063W	1	
	R1110	ERJ2GEJ473	M 47KOHM, J,0.063W	1	
	R1124	ERJ2GEJ220	M 22 OHM, J,0.063W	1	
	R1125	ERJ2GEJ220	M 22 OHM, J,0.063W	1	
	R1134	ERJ2GEJ101	M 100 OHM, J,0.063W	1	
	R1139	ERJ2GEJ473	M 47KOHM, J,0.063W	1	
	R1146	ERJ2GEJ102X	M 1K OHM J 1/4W	1	
	R1147	ERJ2GEJ103	M 10KOHM, J,0.063W	1	
	R1148	ERJ2GEJ473	M 47KOHM, J,0.063W	1	
	R1153	ERJ2GEJ821	M 820 OHM, J,0.063W	1	
	R1157	ERJ2GEJ473	M 47KOHM, J,0.063W	1	
	R1162	ERJ2GEJ101	M 100 OHM, J,0.063W	1	
	R1164	ERJ2GEJ103	M 10KOHM, J,0.063W	1	
	R1166	ERJ2GEJ104	M 100KOHM, J,0.063W	1	
	R1169	ERJ2GEJ683	M 68KOHM, J,0.063W	1	
	R1170	ERJ2GEJ333	M 33KOHM, J,0.063W	1	
	R1171	ERJ2GEJ683	M 68KOHM, J,0.063W	1	
	R1172	ERJ2GEJ333	M 33KOHM, J,0.063W	1	
	R1173	ERJ2GEJ331	M 330 OHM, J,0.063W	1	
	R1174	DOYAR0000007	M 0 OHM 1/4W	1	
	R1175	DOYAR0000007	M 0 OHM 1/4W	1	
	R1179	ERJ2GEJ101	M 100 OHM, J,0.063W	1	
	R1181	ERJ2GEJ101	M 100 OHM, J,0.063W	1	
	R1182	ERJ2GED273X	M 27KOHM, J,0.063W	1	
	R1183	ERJ2GEJ220	M 22 OHM, J,0.063W	1	
	R1184	ERJ2GEJ220	M 22 OHM, J,0.063W	1	
	R1194	ERJ2GEJ683	M 68KOHM, J,0.063W	1	
	R1196	ERJ2GEJ473	M 47KOHM, J,0.063W	1	
	R1197	ERJ2GEJ103	M 10KOHM, J,0.063W	1	
	R1200	ERJ2GEJ472	M 4.7KOHM, J,0.063W	1	
	R1201	ERJ2GEJ472	M 4.7KOHM, J,0.063W	1	
	R1203	ERJ2GEJ473	M 47KOHM, J,0.063W	1	
	R1205	ERJ2GEJ220	M 22 OHM, J,0.063W	1	
	R1206	ERJ2GEJ220	M 22 OHM, J,0.063W	1	
	R1208	ERJ2GEJ103	M 10KOHM, J,0.063W	1	
	R1209	ERJ2GEJ472	M 4.7KOHM, J,0.063W	1	
	R1210	ERJ2GEJ473	M 47KOHM, J,0.063W	1	
	R1211	ERJ2GEJ473	M 47KOHM, J,0.063W	1	
	R1216	ERJ2GEJ103	M 10KOHM, J,0.063W	1	
	R1217	ERJ2GEJ104	M 100KOHM, J,0.063W	1	

Safety	Ref. No.	Part No.	Part Name & Description	Pcs	Remarks
	R1218	ERJ2GEJ103	M 10KOHM, J,0.063W	1	
	R1219	ERJ2GEJ103	M 10KOHM, J,0.063W	1	
	R1220	ERJ2GEJ103	M 10KOHM, J,0.063W	1	
	R1221	D1BB7151A055	M7.15KOHM, 1/10W	1	
	R1222	ERJ2GEJ473	M 47KOHM, J,0.063W	1	
	R1229	ERJ2GEJ101	M 100 OHM, J,0.063W	1	
	R1236	ERJ2GEJ473	M 47KOHM, J,0.063W	1	
	R1237	ERJ2GEJ102X	M 1K OHM J 1/4W	1	
	R1238	ERJ2GEJ473	M 47KOHM, J,0.063W	1	
	R1239	DOYAR0000007	M 0 OHM 1/4W	1	
	R1243	ERJ2GEJ473	M 47KOHM, J,0.063W	1	
	R1251	ERJ2GEJ473	M 47KOHM, J,0.063W	1	
	R1255	ERJ2GEJ102X	M 1K OHM J 1/4W	1	
	R2000	DOYAR0000007	M 0 OHM 1/4W	1	
	R2001	DOYAR0000007	M 0 OHM 1/4W	1	
	R2002	ERJ2GEJ681	M 680 OHM, J,0.063W	1	
	R2003	ERJ2GEJ105	M 1MOHM, J,0.063W	1	
	R2006	ERJ2GEJ471	M 470 OHM, J,0.063W	1	
	R2007	ERJ2GEJ221	M 220 OHM, J,0.063W	1	
	R2008	ERJ2GEJ471	M 470 OHM, J,0.063W	1	
	R2015	ERJ2GEJ103	M 10KOHM, J,0.063W	1	
	R2016	ERJ2GEJ103	M 10KOHM, J,0.063W	1	
	R2017	ERJ2GEJ103	M 10KOHM, J,0.063W	1	
	R2018	ERJ2GEJ103	M 10KOHM, J,0.063W	1	
	R2019	D1BB2002A055	M 20KOHM, 1/10W	1	
	R2020	D1BB2001A055	M 2KOHM, 1/10W	1	
	R2023	ERJ2GEJ103	M 10KOHM, J,0.063W	1	
	R2026	D1BB1203A055	M 120KOHM, 1/10W	1	
	R2027	D1BB7502A055	M 75KOHM, 1/10W	1	
	R2047	D1BB2002A055	M 20KOHM, 1/10W	1	
	R2048	D1BB2002A055	M 20KOHM, 1/10W	1	
	R2050	D1BB2002A055	M 20KOHM, 1/10W	1	
	R2051	D1BB2002A055	M 20KOHM, 1/10W	1	
	R2052	ERJ6GEYJ331V	M 330 OHM J 1/10W	1	
	R2053	DOYAR0000007	M 0 OHM 1/4W	1	
	R2057	ERJ2GEJ102X	M 1K OHM J 1/4W	1	
	R2058	ERJ2GEJ103	M 10KOHM, J,0.063W	1	
	R2063	ERJ2GEJ101	M 100 OHM, J,0.063W	1	
	R2064	ERJ2GEJ101	M 100 OHM, J,0.063W	1	
	R2065	ERJ2GEJ823	M 82KOHM, J,0.063W	1	
	R2068	DOYAR0000007	M 0 OHM 1/4W	1	
	R2071	ERJ2GEJ104	M 100KOHM, J,0.063W	1	
	R2072	ERJ2GEJ104	M 100KOHM, J,0.063W	1	
	R2073	ERJ6GEYJ681	M 680 OHM, J,1/10W	1	
	R2074	D1BB6802A055	M 68KOHM, 1/10W	1	
	R2075	D1BB1583A055	M 158KOHM, 1/10W	1	
	R2089	ERJ2GEJ153	M 15KOHM, J,0.063W	1	
	R2090	ERJ2GEJ153	M 15KOHM, J,0.063W	1	
	R2092	ERJ2GEJ103	M 10KOHM, J,0.063W	1	

Safety	Ref. No.	Part No.	Part Name & Description	Pcs	Remarks
	R2093	ERJ2GEJ103	M 10KOHM, J,0.063W	1	
	R2095	ERJ2GEJ473	M 47KOHM, J,0.063W	1	
	R2096	ERJ2GEJ473	M 47KOHM, J,0.063W	1	
	R2097	ERJ2GEJ105	M 1MOHM, J,0.063W	1	
	R2098	ERJ2GEJ103	M 10KOHM, J,0.063W	1	
	R2108	ERJ6GEYJ150V	M 15 OHM, J,1/10W	1	
	R2111	ERJ2GEJ103	M 10KOHM, J,0.063W	1	
	R2114	ERJ2GEJ222	M 2.2KOHM, J,0.063W	1	
	R2115	ERJ2GEJ222	M 2.2KOHM, J,0.063W	1	
	R2132	ERJ2GEJ471	M 470 OHM, J,0.063W	1	
	R2141	ERJ2GEJ102X	M 1K OHM J 1/4W	1	
	R2142	ERJ2GEJ222	M 2.2KOHM, J,0.063W	1	
	R2148	ERJ2RHD682X	M 6.8KOHM, J, 2W	1	
	R2149	ERJ2RHD682X	M 6.8KOHM, J, 2W	1	
	R2164	D1BB1003A055	M 100KOHM, 1/10W	1	
	R2165	D1BB3401A055	M 3.4KOHM, 1/10W	1	
	R2166	ERJ6GEYJ153V	M 15KOHM, J,1/10W	1	
	R2172	ERJ2GEJ680	M 68 OHM, J,0.063W	1	
	R2174	ERJ2GEJ221	M 220 OHM, J,0.063W	1	
	R2175	D1BB5600A055	M 600 OHM, 1/10W	1	
	R2176	ERJ6GEYJ271V	M 270 OHM J 1/10W	1	
	R2177	DOGBR00Z0002	M 0 OHM J 1/16W	1	M/MR/MS
	R2178	DOGBR00Z0002	M 0 OHM J 1/16W	1	M/MR/MS
	R2179	ERJ2GEJ221	M 220 OHM, J,0.063W	1	
	R2191	DOGBR00Z0002	M 0 OHM J 1/16W	1	A
	R2193	DOGBR00Z0002	M 0 OHM J 1/16W	1	A
	R2194	DOGBR00Z0002	M 0 OHM J 1/16W	1	A
	R2204	DOGBR00Z0002	M 0 OHM J 1/16W	1	
	R2205	DOGBR00Z0002	M 0 OHM J 1/16W	1	
	R2206	DOGBR00Z0002	M 0 OHM J 1/16W	1	A
	R2207	DOGBR00Z0002	M 0 OHM J 1/16W	1	M/MR/MS
	R2208	ERJ2GEJ103	M 10KOHM, J,0.063W	1	
	R2209	ERJ2GEJ103	M 10KOHM, J,0.063W	1	A
	R2211	ERJ2GEJ102X	M 1K OHM J 1/4W	1	
	R2270	EXB28V220J	RESISTOR ARRAY	1	
	R2271	EXB28V220J	RESISTOR ARRAY	1	
	R2272	DOGBR00Z0002	M 0 OHM J 1/16W	1	M/MR/MS
	R2300	D1BB4701A055	M 4.7KOHM, 1/10W	1	
	R2506	DOGDR00Z0002	M 0 OHM, 1/10W	1	
	R2507	DOGDR00Z0002	M 0 OHM, 1/10W	1	
	R2516	ERJ3GEYJ223	M 22KOHM, J,1/16W	1	
	R2517	ERJ3GEYJ470	M 47 OHM, J,1/16W	1	
	R2520	ERJ3GEYJ224	M 220KOHM, J,1/16W	1	
	R2524	DOG473JA057	M 47KOHM, J,1/16W	1	
	R2525	D1BB60400001	M 604 OHM, 1/10W	1	
	R2530	DOG473JA057	M 47KOHM, J,1/16W	1	
	R2531	D1BB2700A055	M 270 OHM, 1/10W	1	
	R2542	DOG473JA057	M 47KOHM, J,1/16W	1	
	R2556	DOG103JA041	M 10K OHM J 1/16W	1	
	R2557	ERJ3GEYJ223	M 22KOHM, J,1/16W	1	
	R2601	ERJ2GEJ560X	M 56 OHM, J,0.063W	1	
	R2602	ERJ2GEJ560X	M 56 OHM, J,0.063W	1	
	R2603	ERJ2GEJ560X	M 56 OHM, J,0.063W	1	
	R2605	ERJ2GEJ560X	M 56 OHM, J,0.063W	1	

Safety	Ref. No.	Part No.	Part Name & Description	Pcs	Remarks
	R2606	ERJ2GEJ560X	M 56 OHM, J,0.063W	1	
	R2607	EXB2HV560JV	RESISTOR ARRAY	1	
	R2608	EXB2HV560JV	RESISTOR ARRAY	1	
	R2609	ERJ2GEJ560X	M 56 OHM, J,0.063W	1	
	R2610	ERJ2GEJ560X	M 56 OHM, J,0.063W	1	
	R2611	EXB2HV560JV	RESISTOR ARRAY	1	
	R2612	ERJ2GEJ560X	M 56 OHM, J,0.063W	1	
	R2613	ERJ2GEJ560X	M 56 OHM, J,0.063W	1	
	R2614	ERJ2GEJ103	M 10KOHM, J,0.063W	1	
	R2619	ERJ2GEJ680	M 68 OHM, J,0.063W	1	
	R2620	D0YAR0000007	M 0 OHM 1/4W	1	
	R2621	D0YAR0000007	M 0 OHM 1/4W	1	
	R2622	ERJ2GEJ103	M 10KOHM, J,0.063W	1	
	R2623	ERJ2GEJ103	M 10KOHM, J,0.063W	1	
	R2624	ERJ2RKD330	M 33 OHM, J, 2W	1	
	R2625	ERJ2RKD330	M 33 OHM, J, 2W	1	
	R2626	EXB2HV330JV	RESISTOR ARRAY	1	
	R2631	ERJ2RKD330	M 33 OHM, J, 2W	1	
	R2632	ERJ2RKD330	M 33 OHM, J, 2W	1	
	R2633	EXB2HV330JV	RESISTOR ARRAY	1	
	R2634	ERJ2GEJ221	M 220 OHM, J,0.063W	1	
	R2635	ERJ2GEJ221	M 220 OHM, J,0.063W	1	
	R2636	ERJ2RKD330	M 33 OHM, J, 2W	1	
	R2637	ERJ2RKD330	M 33 OHM, J, 2W	1	
	R2638	EXB2HV330JV	RESISTOR ARRAY	1	
	R2644	ERJ2RKD330	M 33 OHM, J, 2W	1	
	R2645	ERJ2RKD330	M 33 OHM, J, 2W	1	
	R2646	EXB28V470JX	RESISTOR ARRAY	1	
	R2647	EXB28V470JX	RESISTOR ARRAY	1	
	R2648	EXB28V470JX	RESISTOR ARRAY	1	
	R2649	EXB28V470JX	RESISTOR ARRAY	1	
	R2650	ERJ2GEJ470	M 47 OHM, J,0.063W	1	
	R2651	ERJ2GEJ470	M 47 OHM, J,0.063W	1	
	R2652	ERJ2GEJ680	M 68 OHM, J,0.063W	1	
	R2653	ERJ2GEJ240	M 24 OHM, J,0.063W	1	
	R2654	ERJ2GEJ240	M 24 OHM, J,0.063W	1	
	R2655	ERJ2GEJ470	M 47 OHM, J,0.063W	1	
	R2656	ERJ2GEJ220	M 22 OHM, J,0.063W	1	
	R2657	ERJ2GEJ680	M 68 OHM, J,0.063W	1	
	R2658	EXB28V330J	RESISTOR ARRAY	1	
	R2659	EXB28V330J	RESISTOR ARRAY	1	
	R2660	EXB28V330J	RESISTOR ARRAY	1	
	R2661	EXB28V330J	RESISTOR ARRAY	1	
	R2662	ERJ2GEJ680	M 68 OHM, J,0.063W	1	
	R2663	EXB28V680JX	RESISTOR ARRAY	1	
	R2664	EXB28V680JX	RESISTOR ARRAY	1	
	R2665	ERJ2GEJ680	M 68 OHM, J,0.063W	1	
	R2666	EXB28V680JX	RESISTOR ARRAY	1	
	R2667	ERJ2GEJ680	M 68 OHM, J,0.063W	1	
	R2669	EXB28V680JX	RESISTOR ARRAY	1	
	R2670	ERJ2GEJ680	M 68 OHM, J,0.063W	1	
	R2671	ERJ2GEJ680	M 68 OHM, J,0.063W	1	
	R2672	EXB28V680JX	RESISTOR ARRAY	1	
	R2673	EXB28V680JX	RESISTOR ARRAY	1	

Safety	Ref. No.	Part No.	Part Name & Description	Pcs	Remarks
	R2674	EXB28V680JX	RESISTOR ARRAY	1	
	R2675	EXB28V680JX	RESISTOR ARRAY	1	
	R2676	ERJ2GEJ101	M 100 OHM, J,0.063W	1	
	R2677	ERJ2GEJ101	M 100 OHM, J,0.063W	1	
	R2703	D1BB5R10A068	M 5.1 OHM, 1/10W	1	
	R2704	ERJ2GEJ680	M 68 OHM, J,0.063W	1	
	R2705	ERJ2GEJ101	M 100 OHM, J,0.063W	1	
	R2709	ERJ2GEJ103	M 10KOHM, J,0.063W	1	
	R2710	ERJ2GEJ680	M 68 OHM, J,0.063W	1	
	R2711	ERJ2GEJ680	M 68 OHM, J,0.063W	1	
	R2712	ERJ2GEJ103	M 10KOHM, J,0.063W	1	
	R2715	D0GBR00Z0002	M 0 OHM J 1/16W	1	
	R2733	D0YAR0000007	M 0 OHM 1/4W	1	
	R3099	ERJ2GEJ473	M 47KOHM, J,0.063W	1	
	R3100	ERJ2GEJ473	M 47KOHM, J,0.063W	1	
	R3103	EXB28VR000X	RESISTOR ARRAY	1	
	R3104	EXB28VR000X	RESISTOR ARRAY	1	
	R3105	D0YAR0000007	M 0 OHM 1/4W	1	
	R3106	D0YAR0000007	M 0 OHM 1/4W	1	
	R3107	D0YAR0000007	M 0 OHM 1/4W	1	
	R3108	D0YAR0000007	M 0 OHM 1/4W	1	
	R3109	D0YAR0000007	M 0 OHM 1/4W	1	
	R3110	ERJ6GEYJ223	M 22KOHM,J,1/10W	1	
	R3111	ERJ6GEYJ223	M 22KOHM,J,1/10W	1	
	R3112	ERJ6GEYJ223	M 22KOHM,J,1/10W	1	
	R3113	ERJ6GEYJ223	M 22KOHM,J,1/10W	1	
	R3114	ERJ6GEYJ223	M 22KOHM,J,1/10W	1	
	R3115	ERJ6GEYJ223	M 22KOHM,J,1/10W	1	
	R3124	ERJ6RED750	M 75 OHM, 1/10W	1	
	R3125	ERJ2GEJ222	M 2.2KOHM, J,0.063W	1	
	R3126	ERJ6RED750	M 75 OHM, 1/10W	1	
	R3127	ERJ2GEJ222	M 2.2KOHM, J,0.063W	1	
	R3130	ERJ2GEJ104	M 100KOHM, J,0.063W	1	
	R3131	ERJ2GEJ104	M 100KOHM, J,0.063W	1	
	R3133	D0YAR0000007	M 0 OHM 1/4W	1	
	R3136	D0YAR0000007	M 0 OHM 1/4W	1	
	R3137	ERJ2GEJ473	M 47KOHM, J,0.063W	1	
	R3138	ERJ2GEJ221	M 220 OHM, J,0.063W	1	
	R3139	ERJ2GEJ221	M 220 OHM, J,0.063W	1	
	R3140	ERJ2GEJ221	M 220 OHM, J,0.063W	1	A
	R3141	ERJ2GEJ221	M 220 OHM, J,0.063W	1	A
	R3144	ERJ2GEJ221	M 220 OHM, J,0.063W	1	
	R3145	ERJ2GEJ221	M 220 OHM, J,0.063W	1	
	R3146	ERJ2GEJ221	M 220 OHM, J,0.063W	1	
	R3147	D0YAR0000007	M 0 OHM 1/4W	1	
	R3148	D0YAR0000007	M 0 OHM 1/4W	1	
	R3150	ERJ2GEJ221	M 220 OHM, J,0.063W	1	
	R3151	ERJ2GEJ221	M 220 OHM, J,0.063W	1	
	R3152	ERJ2GEJ221	M 220 OHM, J,0.063W	1	
	R3154	ERJ2GEJ221	M 220 OHM, J,0.063W	1	
	R3155	ERJ2GEJ221	M 220 OHM, J,0.063W	1	

Safety	Ref. No.	Part No.	Part Name & Description	Pcs	Remarks
	R3172	ERJ2GEJ473	M 47KOHM, J,0.063W	1	
	R3173	ERJ2GEJ473	M 47KOHM, J,0.063W	1	
	R3174	ERJ2GEJ221	M 220 OHM, J,0.063W	1	
	R3175	ERJ2GEJ473	M 47KOHM, J,0.063W	1	
	R3176	ERJ6RED750	M 75 OHM, 1/10W	1	
	R3187	ERJ2GEJ104	M 100KOHM, J,0.063W	1	
	R3189	ERJ2GEJ104	M 100KOHM, J,0.063W	1	
	R3208	ERJ6ENF1500	M 150 OHM, 1/10W	1	
	R3212	ERJ6ENF1500	M 150 OHM, 1/10W	1	
	R3213	ERJ6ENF1500	M 150 OHM, 1/10W	1	
	R3217	ERJ6ENF1500	M 150 OHM, 1/10W	1	
	R3218	ERJ6ENF1500	M 150 OHM, 1/10W	1	
	R3219	ERJ6ENF1500	M 150 OHM, 1/10W	1	
	R3220	ERJ6RED750	M 75 OHM, 1/10W	1	
	R3238	ERJ6RED750	M 75 OHM, 1/10W	1	
	R3239	ERJ6RED750	M 75 OHM, 1/10W	1	
	R3240	ERJ6RED750	M 75 OHM, 1/10W	1	
	R3343	ERJ6ENF1500	M 150 OHM, 1/10W	1	
	R3344	ERJ6ENF1500	M 150 OHM, 1/10W	1	
	R3364	ERJ2GEJ221	M 220 OHM, J,0.063W	1	
	R3368	ERJ2GEJ472	M 4.7KOHM, J,0.063W	1	
	R3369	ERJ6ENF1500	M 150 OHM, 1/10W	1	
	R3370	ERJ2GEJ472	M 4.7KOHM, J,0.063W	1	
	R3377	DOYAR0000007	M 0 OHM 1/4W	1	
	R3383	DOYAR0000007	M 0 OHM 1/4W	1	
	R3384	ERJ2GEJ473	M 47KOHM, J,0.063W	1	
	R3385	ERJ2GEJ473	M 47KOHM, J,0.063W	1	
	R3388	ERJ2GEJ221	M 220 OHM, J,0.063W	1	
	R3389	ERJ2GEJ221	M 220 OHM, J,0.063W	1	
	R3390	ERJ2GEJ221	M 220 OHM, J,0.063W	1	
	R3391	ERJ2GEJ221	M 220 OHM, J,0.063W	1	
	R3392	ERJ2GEJ331	M 330 OHM, J,0.063W	1	
	R3393	ERJ6RED750	M 75 OHM, 1/10W	1	
	R3395	ERJ2GEJ221	M 220 OHM, J,0.063W	1	
	R3396	ERJ2GEJ221	M 220 OHM, J,0.063W	1	
	R3397	ERJ2GEJ221	M 220 OHM, J,0.063W	1	
	R3400	ERJ2GEJ221	M 220 OHM, J,0.063W	1	
	R3401	ERJ2GEJ221	M 220 OHM, J,0.063W	1	A
	R3402	ERJ2GEJ331	M 330 OHM, J,0.063W	1	
	R3403	DOYAR0000007	M 0 OHM 1/4W	1	
	R3404	ERJ2GEJ680	M 68 OHM, J,0.063W	1	
	R3405	ERJ2GEJ680	M 68 OHM, J,0.063W	1	
	R3406	ERJ2GEJ680	M 68 OHM, J,0.063W	1	
	R3410	ERJ2GEJ473	M 47KOHM, J,0.063W	1	
	R3411	ERJ2GEJ221	M 220 OHM, J,0.063W	1	
	R3412	ERJ2GEJ221	M 220 OHM, J,0.063W	1	
	R3414	ERJ2GEJ274	M 270KOHM, J,0.063W	1	
	R3415	ERJ2GEJ473	M 47KOHM, J,0.063W	1	

Safety	Ref. No.	Part No.	Part Name & Description	Pcs	Remarks
	R3418	ERJ2GEJ331	M 330 OHM, J,0.063W	1	
	R3419	ERJ2GEJ472	M 4.7KOHM, J,0.063W	1	
	R3420	ERJ6RED750	M 75 OHM, 1/10W	1	
	R3421	ERJ6RED750	M 75 OHM, 1/10W	1	
	R3423	ERJ2GEJ220	M 22 OHM, J,0.063W	1	M/MR/MS
	R3424	ERJ2GEJ220	M 22 OHM, J,0.063W	1	M/MR/MS
	R3439	ERJ6RED750	M 75 OHM, 1/10W	1	
	R3440	ERJ2GEJ221	M 220 OHM, J,0.063W	1	
	R3441	ERJ2GEJ104	M 100KOHM, J,0.063W	1	
	R3442	ERJ3RBD361	M 360 OHM,J,1/16W	1	
	R3443	ERJ3RBD361	M 360 OHM,J,1/16W	1	
	R3449	DOYAR0000007	M 0 OHM 1/4W	1	
	R3450	DOYAR0000007	M 0 OHM 1/4W	1	
	R3451	ERJ2GEJ473	M 47KOHM, J,0.063W	1	
	R3452	ERJ2GEJ274	M 270KOHM, J,0.063W	1	
	R3457	ERJ2GEJ473	M 47KOHM, J,0.063W	1	
	R3458	ERJ6ENF1500	M 150 OHM, 1/10W	1	
	R3459	ERJ6ENF1500	M 150 OHM, 1/10W	1	
	R3460	ERJ6ENF1500	M 150 OHM, 1/10W	1	
	R3461	ERJ2GEJ680	M 68 OHM, J,0.063W	1	
	R3462	ERJ2GEJ680	M 68 OHM, J,0.063W	1	
	R3463	ERJ2GEJ680	M 68 OHM, J,0.063W	1	
	R3465	ERJ6ENF1500	M 150 OHM, 1/10W	1	
	R3470	ERJ6ENF1500	M 150 OHM, 1/10W	1	
	R3475	DOYAR0000007	M 0 OHM 1/4W	1	
	R3480	DOYAR0000007	M 0 OHM 1/4W	1	
	R3484	ERJ6ENF1500	M 150 OHM, 1/10W	1	
	R3485	ERJ6ENF1500	M 150 OHM, 1/10W	1	
	R3489	DOYAR0000007	M 0 OHM 1/4W	1	
	R3490	DOYAR0000007	M 0 OHM 1/4W	1	
	R3491	DOYAR0000007	M 0 OHM 1/4W	1	
	R3492	DOYAR0000007	M 0 OHM 1/4W	1	
	R3495	ERJ2GEJ101	M 100 OHM, J,0.063W	1	
	R3497	ERJ2GEJ101	M 100 OHM, J,0.063W	1	
	R3508	ERJ2GEJ680	M 68 OHM, J,0.063W	1	
	R3509	ERJ2GEJ680	M 68 OHM, J,0.063W	1	
	R3511	ERJ2GEJ473	M 47KOHM, J,0.063W	1	
	R3512	ERJ2GEJ221	M 220 OHM, J,0.063W	1	
	R3513	ERJ2GEJ473	M 47KOHM, J,0.063W	1	
	R3516	DOYAR0000007	M 0 OHM 1/4W	1	
	R3517	DOYAR0000007	M 0 OHM 1/4W	1	
	R3716	ERJ6GEYJ184	M 180KOHM,J,1/10W	1	
	R3717	ERJ6GEYJ184	M 180KOHM,J,1/10W	1	
	R3721	DOGD103JA036	M 10KOHM,J,0.25W	1	
	R3751	ERJ6ENF1432	M14.3KOHM, 1/10W	1	
	R3753	ERJ6ENF1741	M1.74KOHM, 1/10W	1	
	R3758	ERJ6ENF6651	M6.65KOHM, 1/10W	1	
	R3767	ERJ6ENF7151	M7.15KOHM, 1/10W	1	
	R3801	ERJ2GEJ103	M 10KOHM, J,0.063W	1	
	R3802	ERJ2GEJ103	M 10KOHM, J,0.063W	1	
	R3803	ERJ2GEJ332	M 3.3KOHM, J,0.063W	1	

Safety	Ref. No.	Part No.	Part Name & Description	Pcs	Remarks
	R3804	ERJ2GEJ472	M 4.7KOHM, J,0.063W	1	
	R3805	ERJ2GEJ472	M 4.7KOHM, J,0.063W	1	
	R3806	ERJ2GEJ473	M 47KOHM, J,0.063W	1	
	R3807	ERJ2GEJ100	M 10 OHM, J,0.063W	1	
	R3808	ERJ2GEJ100	M 10 OHM, J,0.063W	1	
	R3809	ERJ2GEJ102X	M 1K OHM J 1/4W	1	
	R3810	ERJ2GEJ102X	M 1K OHM J 1/4W	1	
	R3811	D1BB4701A055	M 4.7KOHM, 1/10W	1	
	R3812	ERJ2GEJ103	M 10KOHM, J,0.063W	1	
	R3814	ERJ2GEJ472	M 4.7KOHM, J,0.063W	1	
	R3815	D0YAR0000007	M 0 OHM 1/4W	1	
	R3818	ERJ2GEJ103	M 10KOHM, J,0.063W	1	
	R3821	ERJ2RKD330	M 33 OHM, J, 2W	1	
	R3822	ERJ2GEJ102X	M 1K OHM J 1/4W	1	
	R3823	ERJ2GEJ103	M 10KOHM, J,0.063W	1	
	R3824	D0GA2R7JA014	M 2.7OHM, J,0.063W	1	
	R3825	D0GA2R7JA014	M 2.7OHM, J,0.063W	1	
	R3826	D0GA2R7JA014	M 2.7OHM, J,0.063W	1	
	R3827	D0GA2R7JA014	M 2.7OHM, J,0.063W	1	
	R3828	D0GA2R7JA014	M 2.7OHM, J,0.063W	1	
	R3829	D0GA2R7JA014	M 2.7OHM, J,0.063W	1	
	R3830	D0GA2R7JA014	M 2.7OHM, J,0.063W	1	
	R3831	D0GA2R7JA014	M 2.7OHM, J,0.063W	1	
	R3832	ERJ2GEJ472	M 4.7KOHM, J,0.063W	1	
	R3834	D1BB49R90002	M 49 OHM, 1/10W	1	
	R3840	ERJ2GEJ100	M 10 OHM, J,0.063W	1	
	R3841	ERJ2GEJ100	M 10 OHM, J,0.063W	1	
	R3845	ERJ2GEJ472	M 4.7KOHM, J,0.063W	1	
	R3847	D0YAR0000007	M 0 OHM 1/4W	1	
	R4029	EXB2HV680J	RESISTOR ARRAY	1	
	R4030	EXB2HV680J	RESISTOR ARRAY	1	
	R4031	ERJ2GEJ680	M 68 OHM, J,0.063W	1	
	R4032	ERJ2GEJ680	M 68 OHM, J,0.063W	1	
	R4033	ERJ2GEJ680	M 68 OHM, J,0.063W	1	
	R4034	D1BB7500A055	M 750 OHM, 1/10W	1	
	R4035	D1BB1241A055	M 1.24KOHM, 1/10W	1	
	R4036	D0YAR0000007	M 0 OHM 1/4W	1	
	R4037	D0YAR0000007	M 0 OHM 1/4W	1	
	R4038	ERJ2GEJ681	M 680 OHM, J,0.063W	1	
	R4039	ERJ2GEJ102X	M 1K OHM J 1/4W	1	
	R4040	ERJ2GEJ681	M 680 OHM, J,0.063W	1	
	R4041	ERJ2GEJ102X	M 1K OHM J 1/4W	1	
	R4042	ERJ2GEJ102X	M 1K OHM J 1/4W	1	
	R4043	D0GB202JA057	M 2KOHM, J, 1/16W	1	
	R4046	ERJ2GEJ101	M 100 OHM, J,0.063W	1	
	R4047	ERJ2GEJ101	M 100 OHM, J,0.063W	1	
	R4048	ERJ2GEJ103	M 10KOHM, J,0.063W	1	
	R4049	ERJ2GEJ473	M 47KOHM, J,0.063W	1	

Safety	Ref. No.	Part No.	Part Name & Description	Pcs	Remarks
	R4153	ERJ2GEJ473	M 47KOHM, J,0.063W	1	
	R4154	ERJ2GEJ473	M 47KOHM, J,0.063W	1	
	R4155	ERJ2GEJ103	M 10KOHM, J,0.063W	1	
	R4158	D0YAR0000007	M 0 OHM 1/4W	1	
	R4274	ERJ2GEJ220	M 22 OHM, J,0.063W	1	
	R4275	ERJ2GEJ680	M 68 OHM, J,0.063W	1	
	R4277	ERJ2GEJ680	M 68 OHM, J,0.063W	1	
	R4278	ERJ2GEJ680	M 68 OHM, J,0.063W	1	
	R4279	ERJ2GEJ680	M 68 OHM, J,0.063W	1	
	R4281	D0YAR0000007	M 0 OHM 1/4W	1	
	R4282	D0YAR0000007	M 0 OHM 1/4W	1	
	R4283	ERJ2GEJ680	M 68 OHM, J,0.063W	1	
	R4303	ERJ2GEJ103	M 10KOHM, J,0.063W	1	
	R4306	ERJ2GEJ101	M 100 OHM, J,0.063W	1	
	R4335	ERJ2GEJ332	M 3.3KOHM, J,0.063W	1	
	R4338	ERJ2GEJ473	M 47KOHM, J,0.063W	1	
	R4500	ERJ2GEJ103	M 10KOHM, J,0.063W	1	
	R4501	ERJ2GEJ103	M 10KOHM, J,0.063W	1	
	R4502	ERJ2RKD330	M 33 OHM, J, 2W	1	
	R4503	ERJ2RKD330	M 33 OHM, J, 2W	1	
	R4506	ERJ2GEJ680	M 68 OHM, J,0.063W	1	
	R4507	D0YAR0000007	M 0 OHM 1/4W	1	
	R4526	ERJ2GEJ102X	M 1K OHM J 1/4W	1	
	R4527	ERJ2GEJ102X	M 1K OHM J 1/4W	1	
	R4528	ERJ2GEJ103	M 10KOHM, J,0.063W	1	
	R4530	ERJ2GEJ103	M 10KOHM, J,0.063W	1	
	R4538	ERJ2GEJ473	M 47KOHM, J,0.063W	1	
	R4540	ERJ2GEJ473	M 47KOHM, J,0.063W	1	
	R4552	ERJ2GEJ220	M 22 OHM, J,0.063W	1	
	R4567	D1BB4701A055	M 4.7KOHM, 1/10W	1	
	R4587	D1BB1241A055	M 1.24KOHM, 1/10W	1	
	R4588	D1BB7150A055	M 715 OHM, 1/10W	1	
	R4589	D1BB7150A055	M 715 OHM, 1/10W	1	
	R4592	D1BB7150A055	M 715 OHM, 1/10W	1	
	R4593	D1BB8060A055	M 806 OHM, 1/10W	1	
	R4596	ERJ6GEYJ102V	M 1K OHM J 1/10W	1	
	R4597	ERJ6GEYJ102V	M 1K OHM J 1/10W	1	
	R4598	ERJ6GEYJ102V	M 1K OHM J 1/10W	1	
	R4600	ERJ2GEJ680	M 68 OHM, J,0.063W	1	
	R4601	ERJ6GEYJ102V	M 1K OHM J 1/10W	1	
	R4603	ERJ2GEJ680	M 68 OHM, J,0.063W	1	
	R4604	ERJ2GEJ680	M 68 OHM, J,0.063W	1	
	R4606	D1BB9101A055	M 9.1KOHM, 1/10W	1	
	R4609	D0YAR0000007	M 0 OHM 1/4W	1	
	R4610	D0YAR0000007	M 0 OHM 1/4W	1	
	R4611	D1BB5601A055	M 5.6KOHM, 1/10W	1	
	R4613	ERJ2GEJ680	M 68 OHM, J,0.063W	1	
	R4614	ERJ2GEJ103	M 10KOHM, J,0.063W	1	
	R4615	ERJ2RKD330	M 33 OHM, J, 2W	1	
	R4619	D0YAR0000007	M 0 OHM 1/4W	1	
	R4621	D0YAR0000007	M 0 OHM 1/4W	1	
	R4626	ERJ3EKF3160	M 316 OHM, 1/16W	1	

Safety	Ref. No.	Part No.	Part Name & Description	Pcs	Remarks
	R4627	ERJ3EKF3160	M 316 OHM, 1/16W	1	
	R4628	ERJ2GEJ101	M 100 OHM, J, 0.063W	1	
	R4629	ERJ2GEJ101	M 100 OHM, J, 0.063W	1	
	R4631	D1BB4990A055	M 499 OHM, 1/10W	1	
	R4634	ERJ3EKF3160	M 316 OHM, 1/16W	1	
	R4635	EXB28V680JX	RESISTOR ARRAY	1	
	R4636	ERJ2GEJ680	M 68 OHM, J, 0.063W	1	
	R4637	ERJ2GEJ680	M 68 OHM, J, 0.063W	1	
	R4638	ERJ2GEJ680	M 68 OHM, J, 0.063W	1	
	R4639	EXB28V680JX	RESISTOR ARRAY	1	
	R4640	EXB28V680JX	RESISTOR ARRAY	1	
	R4641	ERJ2GEJ220	M 22 OHM, J, 0.063W	1	
	R4643	ERJ2GEJ220	M 22 OHM, J, 0.063W	1	
	R4644	ERJ2GEJ472	M 4.7KOHM, J, 0.063W	1	
	R4645	ERJ2GEJ680	M 68 OHM, J, 0.063W	1	
	R4646	ERJ2GEJ680	M 68 OHM, J, 0.063W	1	
	R4647	ERJ2GEJ680	M 68 OHM, J, 0.063W	1	
	R4648	EXB28V330J	RESISTOR ARRAY	1	
	R4650	ERJ2GEJ680	M 68 OHM, J, 0.063W	1	
	R4651	ERJ2GEJ680	M 68 OHM, J, 0.063W	1	
	R4652	ERJ2GEJ473	M 47KOHM, J, 0.063W	1	
	R4653	DOYAR0000007	M 0 OHM 1/4W	1	
	R4656	ERJ2GEJ222	M 2.2KOHM, J, 0.063W	1	
	R4657	DOYAR0000007	M 0 OHM 1/4W	1	
	R4658	DOYAR0000007	M 0 OHM 1/4W	1	
	R4659	DOYAR0000007	M 0 OHM 1/4W	1	
	R4661	DOYAR0000007	M 0 OHM 1/4W	1	
	R4663	DOYAR0000007	M 0 OHM 1/4W	1	
	R4665	ERJ2GEJ473	M 47KOHM, J, 0.063W	1	
	R4666	ERJ2GEJ473	M 47KOHM, J, 0.063W	1	
	R4673	DOYAR0000007	M 0 OHM 1/4W	1	
	R4678	ERJ2GEJ680	M 68 OHM, J, 0.063W	1	
	R4679	EXB28V680JX	RESISTOR ARRAY	1	
	R4680	ERJ2GEJ102X	M 1K OHM J 1/4W	1	
	R4681	ERJ2GEJ103	M 10KOHM, J, 0.063W	1	
	R4683	ERJ2GEJ472	M 4.7KOHM, J, 0.063W	1	
	R4685	ERJ2GEJ473	M 47KOHM, J, 0.063W	1	
	R4686	ERJ2GEJ680	M 68 OHM, J, 0.063W	1	
	R4687	ERJ2GEJ680	M 68 OHM, J, 0.063W	1	
	R4689	ERJ2GEJ103	M 10KOHM, J, 0.063W	1	
	R4690	ERJ2GEJ560X	M 56 OHM, J, 0.063W	1	
	R4691	ERJ2GEJ220	M 22 OHM, J, 0.063W	1	
	R4692	ERJ2GEJ680	M 68 OHM, J, 0.063W	1	
	R4693	ERJ2GEJ680	M 68 OHM, J, 0.063W	1	
	R4694	ERJ2GEJ680	M 68 OHM, J, 0.063W	1	
	R4696	ERJ2GEJ680	M 68 OHM, J, 0.063W	1	
	R4699	ERJ2GEJ680	M 68 OHM, J, 0.063W	1	
	R4700	EXB28V680JX	RESISTOR ARRAY	1	

Safety	Ref. No.	Part No.	Part Name & Description	Pcs	Remarks
	R4701	ERJ2GEJ680	M 68 OHM, J, 0.063W	1	
	R4704	ERJ2GEJ680	M 68 OHM, J, 0.063W	1	
	R4705	ERJ2GEJ680	M 68 OHM, J, 0.063W	1	
	R4706	ERJ2GEJ680	M 68 OHM, J, 0.063W	1	
	R4707	ERJ2GEJ680	M 68 OHM, J, 0.063W	1	
	R4708	ERJ2GEJ680	M 68 OHM, J, 0.063W	1	
	R4711	ERJ2GEJ220	M 22 OHM, J, 0.063W	1	
	R4712	ERJ2GEJ220	M 22 OHM, J, 0.063W	1	
	R4713	ERJ2GEJ220	M 22 OHM, J, 0.063W	1	
	R4714	ERJ2GEJ472	M 4.7KOHM, J, 0.063W	1	
	R4715	ERJ2GEJ472	M 4.7KOHM, J, 0.063W	1	
	R4716	ERJ2GEJ220	M 22 OHM, J, 0.063W	1	
	R4717	ERJ2GEJ220	M 22 OHM, J, 0.063W	1	
	R4720	ERJ2GEJ220	M 22 OHM, J, 0.063W	1	
	R4721	ERJ2GEJ473	M 47KOHM, J, 0.063W	1	
	R4722	ERJ2GEJ473	M 47KOHM, J, 0.063W	1	
	R4723	ERJ2GEJ220	M 22 OHM, J, 0.063W	1	
	R4724	ERJ2GEJ220	M 22 OHM, J, 0.063W	1	
	R4726	ERJ2GEJ103	M 10KOHM, J, 0.063W	1	
	R4727	ERJ2GEJ103	M 10KOHM, J, 0.063W	1	
	R4728	ERJ2GEJ103	M 10KOHM, J, 0.063W	1	
	R4729	ERJ2GEJ103	M 10KOHM, J, 0.063W	1	
	R4731	ERJ2GEJ103	M 10KOHM, J, 0.063W	1	
	R4732	ERJ2GEJ103	M 10KOHM, J, 0.063W	1	
	R4733	ERJ2GEJ103	M 10KOHM, J, 0.063W	1	
	R4736	ERJ2GEJ103	M 10KOHM, J, 0.063W	1	
	R4737	ERJ2GEJ103	M 10KOHM, J, 0.063W	1	
	R4742	DOYAR0000007	M 0 OHM 1/4W	1	
	R4743	DOYAR0000007	M 0 OHM 1/4W	1	
	R4749	DOYAR0000007	M 0 OHM 1/4W	1	
	R4750	DOYAR0000007	M 0 OHM 1/4W	1	
	R4755	ERJ2RHD272	M 2.7KOHM, J, 2W	1	
	R4756	ERJ2RHD272	M 2.7KOHM, J, 2W	1	
	R4757	ERJ2GEJ103	M 10KOHM, J, 0.063W	1	
	R4758	ERJ2GEJ104	M 100KOHM, J, 0.063W	1	
	R4759	ERJ2GEJ103	M 10KOHM, J, 0.063W	1	
	R4760	ERJ2GEJ104	M 100KOHM, J, 0.063W	1	
	R4761	ERJ2RHD272	M 2.7KOHM, J, 2W	1	
	R4762	ERJ2RHD272	M 2.7KOHM, J, 2W	1	
	R4763	ERJ2GEJ103	M 10KOHM, J, 0.063W	1	
	R4764	ERJ2GEJ104	M 100KOHM, J, 0.063W	1	
	R4765	ERJ2GEJ103	M 10KOHM, J, 0.063W	1	
	R4766	ERJ2GEJ104	M 100KOHM, J, 0.063W	1	
	R4810	ERJ2GEJ103	M 10KOHM, J, 0.063W	1	

Safety	Ref. No.	Part No.	Part Name & Description	Pcs	Remarks
	R4811	ERJ2GEJ473	M 47KOHM, J,0.063W	1	
	R4812	ERJ2GEJ473	M 47KOHM, J,0.063W	1	
	R4813	ERJ2GEJ103	M 10KOHM, J,0.063W	1	
	R4814	ERJ2GEJ103	M 10KOHM, J,0.063W	1	
	R4817	ERJ2GEJ220	M 22 OHM, J,0.063W	1	
	R4832	ERJ2GEJ101	M 100 OHM, J,0.063W	1	
	R4833	ERJ2GEJ104	M 100KOHM, J,0.063W	1	
	R4834	ERJ2GEJ102X	M 1K OHM J 1/4W	1	
	R4841	ERJ2GEJ104	M 100KOHM, J,0.063W	1	
	R4842	ERJ2GEJ102X	M 1K OHM J 1/4W	1	
	R4844	ERJ2GEJ101	M 100 OHM, J,0.063W	1	
	R4853	ERJ2GEJ104	M 100KOHM, J,0.063W	1	
	R4854	ERJ2GEJ104	M 100KOHM, J,0.063W	1	
	R4856	ERJ2GEJ103	M 10KOHM, J,0.063W	1	
	R4857	ERJ2GEJ473	M 47KOHM, J,0.063W	1	
	R5024	ERJ2GEJ101	M 100 OHM, J,0.063W	1	
	R5025	D1BB2700A055	M 270 OHM, 1/10W	1	
	R5026	D1BB2700A055	M 270 OHM, 1/10W	1	
	R5049	ERJ2GEJ470	M 47 OHM, J,0.063W	1	
	R5050	ERJ2GEJ470	M 47 OHM, J,0.063W	1	
	R5051	ERJ2GEJ470	M 47 OHM, J,0.063W	1	
	R5052	ERJ2GEJ470	M 47 OHM, J,0.063W	1	
	R5053	ERJ2GEJ470	M 47 OHM, J,0.063W	1	
	R5054	ERJ2GEJ470	M 47 OHM, J,0.063W	1	
	R5055	ERJ2GEJ470	M 47 OHM, J,0.063W	1	
	R5056	ERJ2GEJ470	M 47 OHM, J,0.063W	1	
	R5057	ERJ2GEJ470	M 47 OHM, J,0.063W	1	
	R5058	ERJ2GEJ470	M 47 OHM, J,0.063W	1	
	R5059	ERJ2GEJ470	M 47 OHM, J,0.063W	1	
	R5060	ERJ2GEJ470	M 47 OHM, J,0.063W	1	
	R5061	ERJ2GEJ470	M 47 OHM, J,0.063W	1	
	R5062	ERJ2GEJ470	M 47 OHM, J,0.063W	1	
	R5063	ERJ2GEJ470	M 47 OHM, J,0.063W	1	
	R5064	ERJ2GEJ470	M 47 OHM, J,0.063W	1	
	R5065	ERJ2GEJ470	M 47 OHM, J,0.063W	1	
	R5066	ERJ2GEJ470	M 47 OHM, J,0.063W	1	
	R5067	ERJ2GEJ221	M 220 OHM, J,0.063W	1	
	R5068	ERJ2GEJ470	M 47 OHM, J,0.063W	1	
	R5070	ERJ2GEJ470	M 47 OHM, J,0.063W	1	
	R5071	ERJ2GEJ470	M 47 OHM, J,0.063W	1	
	R5074	ERJ2GEJ103	M 10KOHM, J,0.063W	1	
	R5075	D1BA75R0A014	M0.75KOHM, 1/10W	1	

Safety	Ref. No.	Part No.	Part Name & Description	Pcs	Remarks
	R5076	ERJ2GEJ301	M 300 OHM, J,0.063W	1	
	R5077	D0YAR0000007	M 0 OHM 1/4W	1	
	R5078	ERJ2GEJ221	M 220 OHM, J,0.063W	1	
	R5079	ERJ2GEJ103	M 10KOHM, J,0.063W	1	
	R5080	ERJ2GEJ103	M 10KOHM, J,0.063W	1	
	R5082	ERJ2GEJ103	M 10KOHM, J,0.063W	1	
	R5088	ERJ3GEYJ680	M 68 OHM, J,1/16W	1	
	R5092	D0GBR00Z0002	M 0 OHM J 1/16W	1	
	R5200	ERJ2GEJ680	M 68 OHM, J,0.063W	1	
	R5201	ERJ2GEJ680	M 68 OHM, J,0.063W	1	
	R5202	ERJ2GEJ680	M 68 OHM, J,0.063W	1	
	R5203	ERJ2GEJ680	M 68 OHM, J,0.063W	1	
	R5204	ERJ2GEJ472	M 4.7KOHM, J,0.063W	1	
	R5205	ERJ2GEJ472	M 4.7KOHM, J,0.063W	1	
	R5206	ERJ2GEJ472	M 4.7KOHM, J,0.063W	1	
	R5207	ERJ2GEJ472	M 4.7KOHM, J,0.063W	1	
	R5208	ERJ2GEJ105	M 1MOHM, J,0.063W	1	
	R5209	D0YAR0000007	M 0 OHM 1/4W	1	
	R5210	ERJ2GEJ103	M 10KOHM, J,0.063W	1	
	R5216	ERJ2GEJ472	M 4.7KOHM, J,0.063W	1	
	R5217	ERJ2GEJ472	M 4.7KOHM, J,0.063W	1	
	R5223	ERJ2GEJ101	M 100 OHM, J,0.063W	1	
	R5225	ERJ2GEJ680	M 68 OHM, J,0.063W	1	
	R5226	ERJ2GEJ332	M 3.3KOHM, J,0.063W	1	
	R5227	D0GB103JA041	M 10K OHM J 1/16W	1	
	R5229	D0GB103JA041	M 10K OHM J 1/16W	1	
	R5231	EXB2HV680J	RESISTOR ARRAY	1	
	R5232	EXB2HV680J	RESISTOR ARRAY	1	
	R5314	D0GBR00Z0002	M 0 OHM J 1/16W	1	
	R5316	D0YAR0000007	M 0 OHM 1/4W	1	
	R5321	D1BB4702A055	M 47KOHM, 1/10W	1	
	R5322	ERJ2GEJ104	M 100KOHM, J,0.063W	1	
	R5323	D1BB5602A055	M 56KOHM, 1/10W	1	
	R5324	ERJ2GEJ473	M 47KOHM, J,0.063W	1	
	R5325	D0YAR0000007	M 0 OHM 1/4W	1	
	R5326	D0YAR0000007	M 0 OHM 1/4W	1	
	R5327	D0YAR0000007	M 0 OHM 1/4W	1	
	R5328	D0YAR0000007	M 0 OHM 1/4W	1	
	R5329	D1BB2802A055	M 28KOHM, 1/10W	1	
	R5330	D1BB4752A055	M47.5KOHM, 1/10W	1	
	R5331	D1BB3602A055	M 36KOHM, 1/10W	1	
	R5332	D1BB3002A055	M 30KOHM, 1/10W	1	
	R5333	D1BB2802A055	M 28KOHM, 1/10W	1	
	R5334	D1BB2402A055	M 24KOHM, 1/10W	1	
	R5335	ERJ2GEJ680	M 68 OHM, J,0.063W	1	
	R5337	D0YAR0000007	M 0 OHM 1/4W	1	
	R5431	D0YAR0000007	M 0 OHM 1/4W	1	
	R5433	D1BB1002A055	M 10KOHM, 1/10W	1	
	R5434	D1BB2702A055	M 27KOHM, 1/10W	1	
	R5435	ERJ2GEJ332	M 3.3KOHM, J,0.063W	1	
	R5441	D0YAR0000007	M 0 OHM 1/4W	1	
	R5443	D1BB1002A055	M 10KOHM, 1/10W	1	

Safety	Ref. No.	Part No.	Part Name & Description	Pcs	Remarks
	R5444	D1BB2201A055	M 2.2KOHM, 1/10W	1	
	R5445	ERJ2GEJ103	M 10KOHM, J,0.063W	1	
	R5451	D1BB5602A055	M 56KOHM, 1/10W	1	
	R5452	D1BB4702A055	M 47KOHM, 1/10W	1	
	R5453	D1BB3002A055	M 30KOHM, 1/10W	1	
	R5456	DOYAR0000007	M 0 OHM 1/4W	1	
	R5459	DOYAR0000007	M 0 OHM 1/4W	1	
	R5503	ERJ6ENF2611	M2.61KOHM, 1/10W	1	
	R5504	ERJ6ENF1271	M1.27KOHM, 1/10W	1	
	R5506	ERJ6GEYJ103V	M 10K OHM J 1/10W	1	
	R5507	ERJ6GEYJ103V	M 10K OHM J 1/10W	1	
	R5508	ERJ6GEYF473	M 47KOHM,J,1/10W	1	
	R5509	ERJ6GEY0R00V	M 0 OHM J 1/10W	1	
	R5515	DOGBR00Z0002	M 0 OHM J 1/16W	1	
	R5516	DOGBR00Z0002	M 0 OHM J 1/16W	1	
	R5535	ERJ2GEJ222	M 2.2KOHM, J,0.063W	1	
	R5536	ERJ2GEJ472	M 4.7KOHM, J,0.063W	1	
	R5537	ERJ2GEJ681	M 680 OHM, J,0.063W	1	
	R5538	ERJ2GEJ122	M 1.2KOHM, J,0.063W	1	
	R5542	ERJ6GEYJ471	M 470 OHM,J,1/10W	1	
	R5544	ERJ6GEYJ221V	M 220 OHM,J,1/10W	1	
	R5550	ERJ6GEYJ102V	M 1K OHM J 1/10W	1	
	R5556	ERJ2GEJ472	M 4.7KOHM, J,0.063W	1	
	R5557	ERJ2GEJ473	M 47KOHM, J,0.063W	1	
	R5558	ERJ2GEJ473	M 47KOHM, J,0.063W	1	
	R5559	ERJ2GEJ333	M 33KOHM, J,0.063W	1	
	R5560	ERJ2GEJ103	M 10KOHM, J,0.063W	1	
	R5561	ERJ2GEJ103	M 10KOHM, J,0.063W	1	
	R5565	ERJ2GEJ103	M 10KOHM, J,0.063W	1	
	R5566	ERJ2GEJ103	M 10KOHM, J,0.063W	1	
	R5567	ERJ2GEJ473	M 47KOHM, J,0.063W	1	
	R5569	ERJ2GEJ103	M 10KOHM, J,0.063W	1	
	R5570	ERJ2GEJ103	M 10KOHM, J,0.063W	1	
	R5571	ERJ2GEJ473	M 47KOHM, J,0.063W	1	
	R5572	ERJ2GEJ222	M 2.2KOHM, J,0.063W	1	
	R5573	ERJ2GEJ472	M 4.7KOHM, J,0.063W	1	
	R5574	ERJ2GEJ103	M 10KOHM, J,0.063W	1	
	R5575	ERJ2GEJ473	M 47KOHM, J,0.063W	1	
	R5576	ERJ2GEJ473	M 47KOHM, J,0.063W	1	
	R5577	ERJ2GEJ333	M 33KOHM, J,0.063W	1	
	R5578	ERJ2GEJ473	M 47KOHM, J,0.063W	1	
	R5579	ERJ2GEJ473	M 47KOHM, J,0.063W	1	
	R5580	ERJ2GEJ102X	M 1K OHM J 1/4W	1	
	R5581	ERJ2GEJ473	M 47KOHM, J,0.063W	1	
	R5582	ERJ2GEJ473	M 47KOHM, J,0.063W	1	
	R5583	ERJ2GEJ473	M 47KOHM, J,0.063W	1	

Safety	Ref. No.	Part No.	Part Name & Description	Pcs	Remarks
	R5587	ERJ2GEJ560X	M 56 OHM, J,0.063W	1	
	R5588	ERJ6GEYJ102V	M 1K OHM J 1/10W	1	
	R5589	ERJ6GEYJ104V	M 100KOHM,J,1/10W	1	
	R5590	ERJ6GEYJ472V	M 4.7K OHM J 1/10W	1	
	R5591	ERJ6GEYJ472V	M 4.7K OHM J 1/10W	1	
	R5592	ERJ6GEYJ472V	M 4.7K OHM J 1/10W	1	
	R5600	ERJ2GEJ680	M 68 OHM, J,0.063W	1	
	R5601	DOGBR00Z0002	M 0 OHM J 1/16W	1	
	R5602	DOYAR0000007	M 0 OHM 1/4W	1	
	R5603	DOYAR0000007	M 0 OHM 1/4W	1	
	R5604	D1BB2802A055	M 28KOHM, 1/10W	1	
	R5605	D1BB3602A055	M 36KOHM, 1/10W	1	
	R5606	DOYAR0000007	M 0 OHM 1/4W	1	
	R5607	DOYAR0000007	M 0 OHM 1/4W	1	
	R5610	ERJ2GEJ104	M 100KOHM, J,0.063W	1	
	R5611	D1BB3602A055	M 36KOHM, 1/10W	1	
	R5612	D1BB2402A055	M 24KOHM, 1/10W	1	
	R5614	DOGBR00Z0002	M 0 OHM J 1/16W	1	
	R5616	DOYAR0000007	M 0 OHM 1/4W	1	
	R5620	ERJ2GEJ680	M 68 OHM, J,0.063W	1	
	R5621	D1BB3602A055	M 36KOHM, 1/10W	1	
	R5622	ERJ2GEJ104	M 100KOHM, J,0.063W	1	
	R5623	D1BB3602A055	M 36KOHM, 1/10W	1	
	R5625	DOYAR0000007	M 0 OHM 1/4W	1	
	R5626	DOYAR0000007	M 0 OHM 1/4W	1	
	R5627	DOYAR0000007	M 0 OHM 1/4W	1	
	R5628	DOYAR0000007	M 0 OHM 1/4W	1	
	R5629	D1BB4752A055	M47.5KOHM, 1/10W	1	
	R5630	D1BB4702A055	M 47KOHM, 1/10W	1	
	R5631	D1BB3002A055	M 30KOHM, 1/10W	1	
	R5632	D1BB1272A055	M12.7KOHM, 1/10W	1	
	R5633	D1BB4702A055	M 47KOHM, 1/10W	1	
	R5634	D1BB4702A055	M 47KOHM, 1/10W	1	
	R5635	ERJ2GEJ223	M 22KOHM, J,0.063W	1	
	R5636	ERJ2GEJ683	M 68KOHM, J,0.063W	1	
	R5637	DOYAR0000007	M 0 OHM 1/4W	1	
	R5638	ERJ2GEJ103	M 10KOHM, J,0.063W	1	
	R5641	ERJ2GEJ473	M 47KOHM, J,0.063W	1	
	R5644	ERJ2GEJ222	M 2.2KOHM, J,0.063W	1	
	R5646	ERJ2GEJ103	M 10KOHM, J,0.063W	1	
	R5647	ERJ2GEJ473	M 47KOHM, J,0.063W	1	
	R5660	ERJ2GEJ103	M 10KOHM, J,0.063W	1	
	R5661	ERJ2GEJ123	M 12KOHM ,J,0.063W	1	
	R5662	ERJ2GEJ473	M 47KOHM, J,0.063W	1	
	R5663	ERJ2GEJ101	M 100 OHM, J,0.063W	1	
	R5664	DOYAR0000007	M 0 OHM 1/4W	1	
	R5691	DOGB103JA041	M 10K OHM J 1/16W	1	
	R5693	DOGB473JA057	M 47KOHM,J,1/16W	1	
	R5695	D1BB2001A055	M 2KOHM, 1/10W	1	
	R5697	ERJ2GEJ472	M 4.7KOHM, J,0.063W	1	
	R5698	DOGDR00Z0002	M 0 OHM, 1/10W	1	
	R5699	DOGDR00Z0002	M 0 OHM, 1/10W	1	
	R5702	ERJ2GEJ222	M 2.2KOHM, J,0.063W	1	
	R5732	ERJ2GEJ153	M 15KOHM ,J,0.063W	1	



Safety	Ref. No.	Part No.	Part Name & Description	Pcs	Remarks
	R5733	ERJ2GEJ333	M 33KOHM, J,0.063W	1	
	R7701	DOGB103JA041	M 10K OHM J 1/16W	1	
	R7702	ERJ3EKF75R0	M 0.75HM, 1/16W	1	
	R7703	ERJ3GEYJ223	M 22KOHM, J,1/16W	1	
	R7704	DOGB102JA041	M 1KOHM, J,1/16W	1	
	R7705	DOGB103JA041	M 10K OHM J 1/16W	1	
	R7706	ERJ3GEYJ222	M 2.2KOHM, J,1/16W	1	
	R7708	DOGB104JA041	M 100KOHM J 1/16W	1	
	R7709	DOGB104JA041	M 100KOHM J 1/16W	1	
	R7710	DOGB102JA041	M 1KOHM, J,1/16W	1	
	R7711	ERJ3GEYJ472	M 4.7KOHM, J,1/16W	1	
	R7712	DOGB104JA041	M 100KOHM J 1/16W	1	
	R7713	ERJ3GEYJ222	M 2.2KOHM, J,1/16W	1	
	R7714	D1BB1202A055	M 12KOHM, 1/10W	1	
	R7715	ERJ3GEYJ222	M 2.2KOHM, J,1/16W	1	
	R7716	DOGB105JA041	M 1M OHM F 1/16W	1	
	R7717	DOGB103JA041	M 10K OHM J 1/16W	1	
	R7718	DOGB103JA041	M 10K OHM J 1/16W	1	
	R7719	DOGBR00Z0002	M 0 OHM J 1/16W	1	
	R7725	ERJ3GEYJ680	M 68 OHM, J,1/16W	1	
	R7726	DOGB103JA041	M 10K OHM J 1/16W	1	
	R7727	DOGB103JA041	M 10K OHM J 1/16W	1	
	R7733	ERJ3GEYJ680	M 68 OHM, J,1/16W	1	
	R7734	ERJ3GEYJ680	M 68 OHM, J,1/16W	1	
	R7735	ERJ3GEYJ680	M 68 OHM, J,1/16W	1	
	R7737	ERJ3GEYJ680	M 68 OHM, J,1/16W	1	
	R7738	ERJ3GEYJ680	M 68 OHM, J,1/16W	1	
	R7742	DOGB103JA041	M 10K OHM J 1/16W	1	
	R7744	DOGBR00Z0002	M 0 OHM J 1/16W	1	
	R7749	J0JCC0000241	CHIP INDUCTOR	1	
	R7750	J0JCC0000241	CHIP INDUCTOR	1	
	R7751	J0JCC0000241	CHIP INDUCTOR	1	
	R7754	DOGB103JA041	M 10K OHM J 1/16W	1	
	R7777	D1BB3402A055	M 34KOHM, 1/10W	1	
	R7778	D1BB1002A055	M 10KOHM, 1/10W	1	
	R7779	EXB38VR000V	RESISTOR ARRAY	1	
	R7781	DOGBR00Z0002	M 0 OHM J 1/16W	1	
	R7782	DOGBR00Z0002	M 0 OHM J 1/16W	1	
	R7800	DOGBR00Z0002	M 0 OHM J 1/16W	1	
	R8001	D1BB3901A055	M 3.9KOHM, 1/10W	1	
	R8002	D1BB2402A055	M 24KOHM, 1/10W	1	
	R8003	D1BB1002A055	M 10KOHM, 1/10W	1	
	R8004	D1BB5601A055	M 5.6KOHM, 1/10W	1	
	R8005	ERJ2GEJ181	M 180 OHM, J,0.063W	1	
	R8006	ERJ2GEJ820	M 82 OHM, J,0.063W	1	
	R8007	ERJ2GEJ181	M 180 OHM, J,0.063W	1	
	R8008	ERJ2GEJ820	M 82 OHM, J,0.063W	1	
	R8016	DOGDR00Z0002	M 0 OHM, 1/10W	1	
	R8017	DOGDR00Z0002	M 0 OHM, 1/10W	1	
	R8101	ERJ2GEJ103	M 10KOHM, J,0.063W	1	
	R8102	ERJ2GEJ103	M 10KOHM, J,0.063W	1	
	R8105	ERJ2GEJ104	M 100KOHM, J,0.063W	1	
	R8106	ERJ2GEJ680	M 68 OHM, J,0.063W	1	

Safety	Ref. No.	Part No.	Part Name & Description	Pcs	Remarks
	R8108	ERJ2GEJ820	M 82 OHM, J,0.063W	1	
	R8110	ERJ2GEJ680	M 68 OHM, J,0.063W	1	
	R8111	ERJ2GEJ820	M 82 OHM, J,0.063W	1	
	R8112	ERJ2GEJ103	M 10KOHM, J,0.063W	1	
	R8117	ERJ2GEJ103	M 10KOHM, J,0.063W	1	
	R8126	ERJ2GEJ103	M 10KOHM, J,0.063W	1	
	R8132	DOYAR0000007	M 0 OHM 1/4W	1	
	R8133	DOYAR0000007	M 0 OHM 1/4W	1	
	R8134	ERJ2GEJ221	M 220 OHM, J,0.063W	1	
	R8135	ERJ2GEJ103	M 10KOHM, J,0.063W	1	
	R8136	ERJ2GEJ221	M 220 OHM, J,0.063W	1	
	R8139	DOYAR0000007	M 0 OHM 1/4W	1	
	R8140	DOYAR0000007	M 0 OHM 1/4W	1	
	R8141	DOYAR0000007	M 0 OHM 1/4W	1	
	R8142	DOYAR0000007	M 0 OHM 1/4W	1	
	R8143	D1BB2700A055	M 270 OHM, 1/10W	1	
	R8144	D1BB2700A055	M 270 OHM, 1/10W	1	
	R8145	ERJ2GEJ101	M 100 OHM, J,0.063W	1	
	R8149	DOYAR0000007	M 0 OHM 1/4W	1	
	R8150	DOYAR0000007	M 0 OHM 1/4W	1	
	R8151	DOYAR0000007	M 0 OHM 1/4W	1	
	R8152	DOYAR0000007	M 0 OHM 1/4W	1	
	R8153	DOYAR0000007	M 0 OHM 1/4W	1	
	R8154	DOYAR0000007	M 0 OHM 1/4W	1	
	R8155	DOYAR0000007	M 0 OHM 1/4W	1	
	R8156	DOYAR0000007	M 0 OHM 1/4W	1	
	R8157	DOYAR0000007	M 0 OHM 1/4W	1	
	R8158	DOYAR0000007	M 0 OHM 1/4W	1	
	R8159	DOYAR0000007	M 0 OHM 1/4W	1	
	R8160	DOYAR0000007	M 0 OHM 1/4W	1	
	R8161	DOYAR0000007	M 0 OHM 1/4W	1	
	R8162	DOYAR0000007	M 0 OHM 1/4W	1	
	R8163	DOYAR0000007	M 0 OHM 1/4W	1	
	R8164	DOYAR0000007	M 0 OHM 1/4W	1	
	R8165	DOYAR0000007	M 0 OHM 1/4W	1	
	R8166	DOYAR0000007	M 0 OHM 1/4W	1	
	R8167	DOYAR0000007	M 0 OHM 1/4W	1	
	R8168	DOYAR0000007	M 0 OHM 1/4W	1	
	R8169	DOYAR0000007	M 0 OHM 1/4W	1	
	R8170	DOYAR0000007	M 0 OHM 1/4W	1	
	R8171	DOYAR0000007	M 0 OHM 1/4W	1	
	R8172	DOYAR0000007	M 0 OHM 1/4W	1	
	R8173	DOYAR0000007	M 0 OHM 1/4W	1	
	R8174	DOYAR0000007	M 0 OHM 1/4W	1	
	R8175	DOYAR0000007	M 0 OHM 1/4W	1	
	R8176	DOYAR0000007	M 0 OHM 1/4W	1	
	R8177	DOYAR0000007	M 0 OHM 1/4W	1	
	R8178	DOYAR0000007	M 0 OHM 1/4W	1	
	R8179	D1BB75R0A055	M 75 OHM, 1/10W	1	
	R8180	ERJ3GEYJ301	M 300 OHM, J,1/16W	1	
	R8181	D1BB75R0A055	M 75 OHM, 1/10W	1	
	R8182	D1BB75R0A055	M 75 OHM, 1/10W	1	
	R8183	D1BB75R0A055	M 75 OHM, 1/10W	1	
	R8184	ERJ3GEYJ301	M 300 OHM, J,1/16W	1	
	R8185	D1BB75R0A055	M 75 OHM, 1/10W	1	
	R8186	D1BB75R0A055	M 75 OHM, 1/10W	1	
	R8187	ERJ2GEJ101	M 100 OHM, J,0.063W	1	
	R8188	D1BB2700A055	M 270 OHM, 1/10W	1	
	R8189	D1BB2700A055	M 270 OHM, 1/10W	1	
	R8190	DOYAR0000007	M 0 OHM 1/4W	1	
	R8191	DOYAR0000007	M 0 OHM 1/4W	1	
	R8192	DOYAR0000007	M 0 OHM 1/4W	1	
	R8193	DOYAR0000007	M 0 OHM 1/4W	1	

Safety	Ref. No.	Part No.	Part Name & Description	Pcs	Remarks
	R8196	ERJ2GEJ221	M 220 OHM, J,0.063W	1	
	R8197	ERJ2GEJ103	M 10KOHM, J,0.063W	1	
	R8198	ERJ2GEJ221	M 220 OHM, J,0.063W	1	
	R8199	DOYAR0000007	M 0 OHM 1/4W	1	
	R8201	ERJ2GEJ470	M 47 OHM, J,0.063W	1	
	R8202	ERJ2GEJ470	M 47 OHM, J,0.063W	1	
	R8203	ERJ2GEJ470	M 47 OHM, J,0.063W	1	
	R8204	ERJ2GEJ470	M 47 OHM, J,0.063W	1	
	R8205	ERJ2GEJ470	M 47 OHM, J,0.063W	1	
	R8206	ERJ2GEJ470	M 47 OHM, J,0.063W	1	
	R8207	ERJ2GEJ470	M 47 OHM, J,0.063W	1	
	R8208	ERJ2GEJ470	M 47 OHM, J,0.063W	1	
	R8209	ERJ2GEJ470	M 47 OHM, J,0.063W	1	
	R8210	ERJ2GEJ470	M 47 OHM, J,0.063W	1	
	R8211	ERJ2GEJ470	M 47 OHM, J,0.063W	1	
	R8212	ERJ2GEJ470	M 47 OHM, J,0.063W	1	
	R8213	ERJ2GEJ470	M 47 OHM, J,0.063W	1	
	R8214	DOYAR0000007	M 0 OHM 1/4W	1	
	R8215	DOYAR0000007	M 0 OHM 1/4W	1	
	R8216	ERJ2GEJ470	M 47 OHM, J,0.063W	1	
	R8217	ERJ2GEJ470	M 47 OHM, J,0.063W	1	
	R8218	ERJ2GEJ470	M 47 OHM, J,0.063W	1	
	R8219	ERJ2GEJ470	M 47 OHM, J,0.063W	1	
	R8220	ERJ2GEJ470	M 47 OHM, J,0.063W	1	
	R8221	ERJ2GEJ470	M 47 OHM, J,0.063W	1	
	R8222	ERJ2GEJ470	M 47 OHM, J,0.063W	1	
	R8223	ERJ2GEJ470	M 47 OHM, J,0.063W	1	
	R8224	ERJ2GEJ470	M 47 OHM, J,0.063W	1	
	R8225	ERJ2GEJ470	M 47 OHM, J,0.063W	1	
	R8226	ERJ2GEJ470	M 47 OHM, J,0.063W	1	
	R8227	ERJ2GEJ470	M 47 OHM, J,0.063W	1	
	R8228	ERJ2GEJ470	M 47 OHM, J,0.063W	1	
	R8229	ERJ2GEJ470	M 47 OHM, J,0.063W	1	
	R8230	ERJ2GEJ470	M 47 OHM, J,0.063W	1	
	R8231	ERJ2GEJ470	M 47 OHM, J,0.063W	1	
	R8232	ERJ2GEJ470	M 47 OHM, J,0.063W	1	
	R8233	ERJ2GEJ470	M 47 OHM, J,0.063W	1	
	R8234	ERJ2GEJ470	M 47 OHM, J,0.063W	1	
	R8235	ERJ2GEJ470	M 47 OHM, J,0.063W	1	
	R8236	ERJ2GEJ470	M 47 OHM, J,0.063W	1	
	R8237	ERJ2GEJ470	M 47 OHM, J,0.063W	1	
	R8238	DOYAR0000007	M 0 OHM 1/4W	1	

Safety	Ref. No.	Part No.	Part Name & Description	Pcs	Remarks
	R8239	DOYAR0000007	M 0 OHM 1/4W	1	
	R8240	ERJ2GEJ470	M 47 OHM, J,0.063W	1	
	R8241	ERJ2GEJ470	M 47 OHM, J,0.063W	1	
	R8242	ERJ2GEJ470	M 47 OHM, J,0.063W	1	
	R8243	ERJ2GEJ470	M 47 OHM, J,0.063W	1	
	R8244	ERJ2GEJ470	M 47 OHM, J,0.063W	1	
	R8245	ERJ2GEJ470	M 47 OHM, J,0.063W	1	
	R8246	ERJ2GEJ470	M 47 OHM, J,0.063W	1	
	R8247	ERJ2GEJ470	M 47 OHM, J,0.063W	1	
	R8248	ERJ2GEJ470	M 47 OHM, J,0.063W	1	
	R8249	DOYAR0000007	M 0 OHM 1/4W	1	
	R8250	DOYAR0000007	M 0 OHM 1/4W	1	
	R8251	DOYAR0000007	M 0 OHM 1/4W	1	
	R8252	DOYAR0000007	M 0 OHM 1/4W	1	
	R8253	DOYAR0000007	M 0 OHM 1/4W	1	
	R8254	DOYAR0000007	M 0 OHM 1/4W	1	
	R8255	DOYAR0000007	M 0 OHM 1/4W	1	
	R8256	DOYAR0000007	M 0 OHM 1/4W	1	
	R8257	DOYAR0000007	M 0 OHM 1/4W	1	
	R8258	DOYAR0000007	M 0 OHM 1/4W	1	
	R8259	DOYAR0000007	M 0 OHM 1/4W	1	
	R8260	DOYAR0000007	M 0 OHM 1/4W	1	
	R8261	DOYAR0000007	M 0 OHM 1/4W	1	
	R8262	DOYAR0000007	M 0 OHM 1/4W	1	
	R8263	DOYAR0000007	M 0 OHM 1/4W	1	
	R8264	DOYAR0000007	M 0 OHM 1/4W	1	
	R8265	DOYAR0000007	M 0 OHM 1/4W	1	
	R8266	DOYAR0000007	M 0 OHM 1/4W	1	
	R8267	DOYAR0000007	M 0 OHM 1/4W	1	
	R8268	DOYAR0000007	M 0 OHM 1/4W	1	
	R8269	DOYAR0000007	M 0 OHM 1/4W	1	
	R8270	DOYAR0000007	M 0 OHM 1/4W	1	
	R8271	DOYAR0000007	M 0 OHM 1/4W	1	
	R8272	DOYAR0000007	M 0 OHM 1/4W	1	
	R8273	DOYAR0000007	M 0 OHM 1/4W	1	
	R8274	DOYAR0000007	M 0 OHM 1/4W	1	
	R8275	DOYAR0000007	M 0 OHM 1/4W	1	
	R8276	DOYAR0000007	M 0 OHM 1/4W	1	
	R8277	DOYAR0000007	M 0 OHM 1/4W	1	
	R8278	DOYAR0000007	M 0 OHM 1/4W	1	
	R8279	DOYAR0000007	M 0 OHM 1/4W	1	
	R8280	DOYAR0000007	M 0 OHM 1/4W	1	
	R8281	DOYAR0000007	M 0 OHM 1/4W	1	
	R8282	DOYAR0000007	M 0 OHM 1/4W	1	
	R8283	DOYAR0000007	M 0 OHM 1/4W	1	
	R8284	DOYAR0000007	M 0 OHM 1/4W	1	
	R8285	DOYAR0000007	M 0 OHM 1/4W	1	
	R8286	DOYAR0000007	M 0 OHM 1/4W	1	
	R8287	DOYAR0000007	M 0 OHM 1/4W	1	
	R8288	DOYAR0000007	M 0 OHM 1/4W	1	
	R8289	DOYAR0000007	M 0 OHM 1/4W	1	
	R8290	DOYAR0000007	M 0 OHM 1/4W	1	
	R8291	DOYAR0000007	M 0 OHM 1/4W	1	
	R8292	DOYAR0000007	M 0 OHM 1/4W	1	
	R8293	DOYAR0000007	M 0 OHM 1/4W	1	
	R8294	DOYAR0000007	M 0 OHM 1/4W	1	
	R8295	DOYAR0000007	M 0 OHM 1/4W	1	
	R8296	DOYAR0000007	M 0 OHM 1/4W	1	
	R8297	DOYAR0000007	M 0 OHM 1/4W	1	
	R8298	DOYAR0000007	M 0 OHM 1/4W	1	
	R8299	DOYAR0000007	M 0 OHM 1/4W	1	
	R8305	ERJ2GEJ223	M 22KOHM, J,0.063W	1	A
	R8306	ERJ2GEJ472	M 4.7KOHM, J,0.063W	1	A

Safety	Ref. No.	Part No.	Part Name & Description	Pcs	Remarks
	R8307	ERJ2GEJ472	M 4.7KOHM, J,0.063W	1	A
	R8308	ERJ2GEJ103	M 10KOHM, J,0.063W	1	A
	R8310	DOYAR0000007	M 0 OHM 1/4W	1	A
	R8311	DOYAR0000007	M 0 OHM 1/4W	1	A
	R8314	DOYAR0000007	M 0 OHM 1/4W	1	A
	R8315	DOYAR0000007	M 0 OHM 1/4W	1	A
	R8318	ERJ2GEJ472	M 4.7KOHM, J,0.063W	1	A
	R8321	ERJ2GEJ103	M 10KOHM, J,0.063W	1	A
	R8322	ERJ2GEJ102X	M 1K OHM J 1/4W	1	A
	R8323	ERJ2GEJ473	M 47KOHM, J,0.063W	1	A
	R8324	ERJ2GEJ473	M 47KOHM, J,0.063W	1	A
	R8325	ERJ2GEJ680	M 68 OHM, J,0.063W	1	A
	R8326	ERJ2GEJ680	M 68 OHM, J,0.063W	1	A
	R8327	ERJ2GEJ680	M 68 OHM, J,0.063W	1	A
	R8328	ERJ2GEJ103	M 10KOHM, J,0.063W	1	
	R8329	ERJ2GEJ473	M 47KOHM, J,0.063W	1	A
	R8330	ERJ2GEJ680	M 68 OHM, J,0.063W	1	A
	R8353	ERJ2GEJ101	M 100 OHM, J,0.063W	1	A
	R8354	ERJ2GEJ101	M 100 OHM, J,0.063W	1	A
	R8356	DOYAR0000007	M 0 OHM 1/4W	1	A
	R8359	DOYAR0000007	M 0 OHM 1/4W	1	A
	R8370	ERJ2GEJ103	M 10KOHM, J,0.063W	1	
	R8385	ERJ2GEJ103	M 10KOHM, J,0.063W	1	
	R8396	ERJ2GEJ560X	M 56 OHM, J,0.063W	1	A
	R8446	ERJ2GEJ103	M 10KOHM, J,0.063W	1	
	R8447	ERJ2GEJ103	M 10KOHM, J,0.063W	1	
	R8448	ERJ2GEJ103	M 10KOHM, J,0.063W	1	
	R8449	EXB2HV103JV	RESISTOR ARRAY	1	
	R8525	ERJ2GEJ103	M 10KOHM, J,0.063W	1	
	R8526	ERJ2GEJ560X	M 56 OHM, J,0.063W	1	
	R8527	ERJ2GEJ560X	M 56 OHM, J,0.063W	1	
	R8528	ERJ2GEJ560X	M 56 OHM, J,0.063W	1	
	R8529	ERJ2GEJ103	M 10KOHM, J,0.063W	1	
	R8530	ERJ2GEJ103	M 10KOHM, J,0.063W	1	
	R8531	ERJ2GEJ560X	M 56 OHM, J,0.063W	1	
	R8532	ERJ2GEJ560X	M 56 OHM, J,0.063W	1	
	R8533	ERJ2GEJ121	M 120 OHM, J,0.063W	1	
	R8534	ERJ2GEJ121	M 120 OHM, J,0.063W	1	
	R8535	ERJ2GEJ121	M 120 OHM, J,0.063W	1	
	R8536	ERJ2GEJ121	M 120 OHM, J,0.063W	1	
	R8537	D1HG1218A002	NETWORK RESISTER	1	
	R8538	D1HG1218A002	NETWORK RESISTER	1	
	R8539	D1HG1218A002	NETWORK RESISTER	1	
	R8540	D1HG1218A002	NETWORK RESISTER	1	
	R8541	ERJ2GEJ121	M 120 OHM, J,0.063W	1	

Safety	Ref. No.	Part No.	Part Name & Description	Pcs	Remarks
	R8542	ERJ2GEJ121	M 120 OHM, J,0.063W	1	
	R8543	ERJ2GEJ121	M 120 OHM, J,0.063W	1	
	R8544	ERJ2GEJ121	M 120 OHM, J,0.063W	1	
	R8545	ERJ2GEJ121	M 120 OHM, J,0.063W	1	
	R8546	ERJ2GEJ121	M 120 OHM, J,0.063W	1	
	R8547	ERJ2GEJ121	M 120 OHM, J,0.063W	1	
	R8548	ERJ2GEJ121	M 120 OHM, J,0.063W	1	
	R8549	ERJ2GEJ103	M 10KOHM, J,0.063W	1	
	R8550	ERJ2GEJ121	M 120 OHM, J,0.063W	1	
	R8551	ERJ2GEJ560X	M 56 OHM, J,0.063W	1	
	R8552	ERJ2GEJ103	M 10KOHM, J,0.063W	1	
	R8553	ERJ2GEJ121	M 120 OHM, J,0.063W	1	
	R8554	ERJ2GEJ560X	M 56 OHM, J,0.063W	1	
	R8555	ERJ2GEJ560X	M 56 OHM, J,0.063W	1	
	R8556	ERJ2GEJ560X	M 56 OHM, J,0.063W	1	
	R8557	ERJ2GEJ103	M 10KOHM, J,0.063W	1	
	R8558	ERJ2GEJ103	M 10KOHM, J,0.063W	1	
	R8559	ERJ2GEJ102X	M 1K OHM J 1/4W	1	
	R8560	ERJ2GEJ332	M 3.3KOHM, J,0.063W	1	
	R8561	ERJ2GEJ332	M 3.3KOHM, J,0.063W	1	
	R8562	ERJ2GEJ332	M 3.3KOHM, J,0.063W	1	
	R8563	ERJ2GEJ332	M 3.3KOHM, J,0.063W	1	
	R8564	ERJ2GEJ332	M 3.3KOHM, J,0.063W	1	
	R8565	ERJ2GEJ332	M 3.3KOHM, J,0.063W	1	
	R8566	ERJ2GEJ103	M 10KOHM, J,0.063W	1	
	R8567	ERJ2GEJ103	M 10KOHM, J,0.063W	1	
	R8569	ERJ2GEJ103	M 10KOHM, J,0.063W	1	
	R8581	ERJ2GEJ103	M 10KOHM, J,0.063W	1	
	R8583	DOYAR0000007	M 0 OHM 1/4W	1	
	R8601	DOYAR0000007	M 0 OHM 1/4W	1	
	R8602	DOYAR0000007	M 0 OHM 1/4W	1	
	R8603	ERJ2GEJ473	M 47KOHM, J,0.063W	1	
	R8604	ERJ2GEJ220	M 22 OHM, J,0.063W	1	
	R8620	ERJ2GEJ101	M 100 OHM, J,0.063W	1	
	R8621	ERJ2GEJ153	M 15KOHM, J,0.063W	1	
	R8622	ERJ2GEJ103	M 10KOHM, J,0.063W	1	
	R8623	ERJ2GEJ473	M 47KOHM, J,0.063W	1	
	R8625	D1BA1601A026	M 1.6KOHM, 1/10W	1	
	R8626	ERJ2GEJ101	M 100 OHM, J,0.063W	1	
	R8627	ERJ2GEJ103	M 10KOHM, J,0.063W	1	
	R8628	ERJ2GEJ103	M 10KOHM, J,0.063W	1	
	R8629	ERJ2GEJ472	M 4.7KOHM, J,0.063W	1	

Safety	Ref. No.	Part No.	Part Name & Description	Pcs	Remarks
	R8630	ERJ2GEJ153	M 15KOHM ,J,0.063W	1	
	R8631	ERJ2GEJ103	M 10KOHM, J,0.063W	1	
	R8632	DOYAR0000007	M 0 OHM 1/4W	1	
	R8650	ERJ2GEJ103	M 10KOHM, J,0.063W	1	
	R8651	ERJ2GEJ103	M 10KOHM, J,0.063W	1	
	R8661	ERJ2GEJ103	M 10KOHM, J,0.063W	1	
	R8663	ERJ2GEJ103	M 10KOHM, J,0.063W	1	
	R8701	EXB2HV680J	RESISTOR ARRAY	1	
	R8702	EXB2HV680J	RESISTOR ARRAY	1	
	R8703	EXB2HV101J	RESISTOR ARRAY	1	
	R8704	EXB2HV101J	RESISTOR ARRAY	1	
	R8705	EXB2HV101J	RESISTOR ARRAY	1	
	R8706	ERJ2GEJ101	M 100 OHM, J,0.063W	1	
	R8707	ERJ2GEJ101	M 100 OHM, J,0.063W	1	
	R8709	ERJ2GEJ103	M 10KOHM, J,0.063W	1	
	R8710	ERJ2GEJ222	M 2.2KOHM, J,0.063W	1	
	R8711	ERJ2GEJ103	M 10KOHM, J,0.063W	1	
	R8715	ERJ2GEJ103	M 10KOHM, J,0.063W	1	
	R8716	ERJ2GEJ103	M 10KOHM, J,0.063W	1	
	R8718	ERJ2GEJ101	M 100 OHM, J,0.063W	1	
	R8719	ERJ2GEJ101	M 100 OHM, J,0.063W	1	
	R8720	ERJ2GEJ101	M 100 OHM, J,0.063W	1	
	R8721	ERJ2GEJ101	M 100 OHM, J,0.063W	1	
	R8722	ERJ2GEJ101	M 100 OHM, J,0.063W	1	
	R8723	ERJ2GEJ101	M 100 OHM, J,0.063W	1	
	R8724	ERJ2GEJ101	M 100 OHM, J,0.063W	1	
	R8725	ERJ2GEJ101	M 100 OHM, J,0.063W	1	
	R8726	ERJ2GEJ101	M 100 OHM, J,0.063W	1	
	R8727	ERJ2GEJ101	M 100 OHM, J,0.063W	1	
	R8728	ERJ2GEJ101	M 100 OHM, J,0.063W	1	
	R8732	ERJ2GEJ101	M 100 OHM, J,0.063W	1	
	R8733	ERJ2GEJ101	M 100 OHM, J,0.063W	1	
	R8734	ERJ2GEJ680	M 68 OHM, J,0.063W	1	
	R8735	ERJ2GEJ472	M 4.7KOHM, J,0.063W	1	
	R8736	ERJ2GEJ472	M 4.7KOHM, J,0.063W	1	
	R8737	ERJ2GEJ472	M 4.7KOHM, J,0.063W	1	
	R8738	ERJ2GEJ472	M 4.7KOHM, J,0.063W	1	
	R8739	ERJ2GEJ680	M 68 OHM, J,0.063W	1	
	R8740	ERJ2GEJ680	M 68 OHM, J,0.063W	1	
	R8741	ERJ2GEJ680	M 68 OHM, J,0.063W	1	
	R8742	ERJ2GEJ680	M 68 OHM, J,0.063W	1	
	R8743	EXB38V560JV	RESISTOR ARRAY	1	
	R8744	ERJ2GEJ680	M 68 OHM, J,0.063W	1	

Safety	Ref. No.	Part No.	Part Name & Description	Pcs	Remarks
	R8745	ERJ2GEJ560X	M 56 OHM, J,0.063W	1	
	R8746	ERJ2GEJ560X	M 56 OHM, J,0.063W	1	
	R8747	ERJ2GEJ560X	M 56 OHM, J,0.063W	1	
	R8748	ERJ2GEJ560X	M 56 OHM, J,0.063W	1	
	R8749	ERJ2GEJ560X	M 56 OHM, J,0.063W	1	
	R8750	ERJ2GEJ560X	M 56 OHM, J,0.063W	1	
	R8751	ERJ2GEJ560X	M 56 OHM, J,0.063W	1	
	R8752	ERJ2GEJ560X	M 56 OHM, J,0.063W	1	
	R8753	ERJ2GEJ560X	M 56 OHM, J,0.063W	1	
	R8754	ERJ2GEJ103	M 10KOHM, J,0.063W	1	
	R8757	ERJ2GEJ103	M 10KOHM, J,0.063W	1	
	R8758	ERJ2GEJ103	M 10KOHM, J,0.063W	1	
	R8759	ERJ2GEJ103	M 10KOHM, J,0.063W	1	
	R8760	ERJ2GEJ103	M 10KOHM, J,0.063W	1	
	R8761	ERJ2GEJ103	M 10KOHM, J,0.063W	1	
	R8762	ERJ2GEJ103	M 10KOHM, J,0.063W	1	
	R8764	ERJ2GEJ103	M 10KOHM, J,0.063W	1	
	R8765	ERJ2GEJ103	M 10KOHM, J,0.063W	1	
	R8766	ERJ2GEJ680	M 68 OHM, J,0.063W	1	
	R8767	ERJ2GEJ680	M 68 OHM, J,0.063W	1	
	R8768	ERJ2GEJ680	M 68 OHM, J,0.063W	1	
	R8769	ERJ2GEJ680	M 68 OHM, J,0.063W	1	
	R8770	ERJ2GEJ680	M 68 OHM, J,0.063W	1	
	R8771	ERJ2GEJ680	M 68 OHM, J,0.063W	1	
	R8772	ERJ2GEJ680	M 68 OHM, J,0.063W	1	
	R8773	ERJ2GEJ680	M 68 OHM, J,0.063W	1	
	R8774	ERJ2GEJ680	M 68 OHM, J,0.063W	1	
	R8775	ERJ2GEJ103	M 10KOHM, J,0.063W	1	
	R8776	ERJ2GEJ103	M 10KOHM, J,0.063W	1	
	R8777	ERJ2GEJ103	M 10KOHM, J,0.063W	1	
	R8778	ERJ2GEJ103	M 10KOHM, J,0.063W	1	
	R8779	ERJ2GEJ103	M 10KOHM, J,0.063W	1	A
	R8781	ERJ2GEJ103	M 10KOHM, J,0.063W	1	
	R8782	ERJ2GEJ103	M 10KOHM, J,0.063W	1	
	R8783	ERJ2GEJ103	M 10KOHM, J,0.063W	1	
	R8785	ERJ2GEJ560X	M 56 OHM, J,0.063W	1	
	R8786	ERJ2GEJ560X	M 56 OHM, J,0.063W	1	
	R8787	ERJ2GEJ560X	M 56 OHM, J,0.063W	1	
	R8788	ERJ2GEJ560X	M 56 OHM, J,0.063W	1	
	R8789	ERJ2GEJ103	M 10KOHM, J,0.063W	1	

Safety	Ref. No.	Part No.	Part Name & Description	Pcs	Remarks
	R8790	ERJ2GEJ103	M 10KOHM, J,0.063W	1	
	R8791	ERJ2GEJ103	M 10KOHM, J,0.063W	1	
	R8792	ERJ2GEJ103	M 10KOHM, J,0.063W	1	
	R8795	ERJ2GEJ103	M 10KOHM, J,0.063W	1	
	R8796	ERJ2GEJ560X	M 56 OHM, J,0.063W	1	
	R8798	ERJ2GEJ101	M 100 OHM, J,0.063W	1	
	R8799	ERJ2GEJ103	M 10KOHM, J,0.063W	1	
	R8806	ERJ2GEJ103	M 10KOHM, J,0.063W	1	
	R8807	ERJ2GEJ103	M 10KOHM, J,0.063W	1	
	R8809	ERJ2GEJ103	M 10KOHM, J,0.063W	1	
	R8811	DOYAR0000007	M 0 OHM 1/4W	1	
	R8812	DOYAR0000007	M 0 OHM 1/4W	1	
	R8813	DOYAR0000007	M 0 OHM 1/4W	1	
	R8816	ERJ2GEJ223	M 22KOHM, J,0.063W	1	
	R8817	ERJ2GEJ562	M 56.6KOHM, J,0.063W	1	
	R8818	ERJ2GEJ104	M 100KOHM, J,0.063W	1	
	R8821	ERJ8GEYJ472V	M 4.7KOHM, J,1/8W	1	
	R8823	ERJ2GEJ103	M 10KOHM, J,0.063W	1	
	R8824	ERJ2GEJ473	M 47KOHM, J,0.063W	1	
	R8825	DOYAR0000007	M 0 OHM 1/4W	1	
	R8826	ERJ2GEJ101	M 100 OHM, J,0.063W	1	
	R8829	ERJ2GEJ103	M 10KOHM, J,0.063W	1	
	R8830	ERJ2GEJ103	M 10KOHM, J,0.063W	1	
	R8831	ERJ2GEJ101	M 100 OHM, J,0.063W	1	
	R8832	ERJ2GEJ101	M 100 OHM, J,0.063W	1	
	R8833	DOYAR0000007	M 0 OHM 1/4W	1	
	R8834	DOYAR0000007	M 0 OHM 1/4W	1	
	R8835	DOYAR0000007	M 0 OHM 1/4W	1	
	R8837	ERJ2GEJ103	M 10KOHM, J,0.063W	1	
	R8838	ERJ2GEJ103	M 10KOHM, J,0.063W	1	
	R8839	ERJ2GEJ103	M 10KOHM, J,0.063W	1	
	R8850	ERJ2GEJ101	M 100 OHM, J,0.063W	1	
	R8851	EXB38V103JV	RESISTOR ARRAY	1	
	R8852	ERJ2GEJ103	M 10KOHM, J,0.063W	1	
	R8853	ERJ2GEJ103	M 10KOHM, J,0.063W	1	
	R8855	EXB38VR000V	RESISTOR ARRAY	1	
	R8856	ERJ2GEJ103	M 10KOHM, J,0.063W	1	
	R8857	ERJ2GEJ103	M 10KOHM, J,0.063W	1	
	R8859	ERJ2GEJ103	M 10KOHM, J,0.063W	1	
	R8860	ERJ2GEJ103	M 10KOHM, J,0.063W	1	
	R8861	ERJ2GEJ104	M 100KOHM, J,0.063W	1	
	R8864	ERJ2GEJ103	M 10KOHM, J,0.063W	1	
	R8865	EXB2HV103JV	RESISTOR ARRAY	1	
	R8866	ERJ3GEYJ471	M 470 OHM, J,1/16W	1	
	R8869	DOGBR00Z0002	M 0 OHM J 1/16W	1	

Safety	Ref. No.	Part No.	Part Name & Description	Pcs	Remarks
	R8901	EXB2HV103JV	RESISTOR ARRAY	1	
	R8902	EXB2HV103JV	RESISTOR ARRAY	1	
	R8903	EXB2HV103JV	RESISTOR ARRAY	1	
	R8904	ERJ2GEJ103	M 10KOHM, J,0.063W	1	
	R8905	ERJ2GEJ103	M 10KOHM, J,0.063W	1	
	R8906	ERJ2GEJ103	M 10KOHM, J,0.063W	1	
	R8907	ERJ2GEJ103	M 10KOHM, J,0.063W	1	
	R8910	EXB2HV103JV	RESISTOR ARRAY	1	
	R8911	EXB2HV103JV	RESISTOR ARRAY	1	
	R8912	EXB2HV103JV	RESISTOR ARRAY	1	
	R8913	ERJ2RHD272	M 2.7KOHM, J, 2W	1	
	R8914	ERJ2GEJ103	M 10KOHM, J,0.063W	1	
	R8915	ERJ2GEJ103	M 10KOHM, J,0.063W	1	
	R8916	ERJ2GEJ103	M 10KOHM, J,0.063W	1	
	R8917	ERJ2GEJ103	M 10KOHM, J,0.063W	1	
	R8918	ERJ2GEJ103	M 10KOHM, J,0.063W	1	
	R8920	ERJ2GEJ103	M 10KOHM, J,0.063W	1	
	R8921	ERJ2GEJ103	M 10KOHM, J,0.063W	1	
	R8922	ERJ2GEJ103	M 10KOHM, J,0.063W	1	
	R8923	ERJ2GEJ103	M 10KOHM, J,0.063W	1	
	R8924	ERJ2GEJ103	M 10KOHM, J,0.063W	1	
	R8925	DOYAR0000007	M 0 OHM 1/4W	1	A
	R8926	DOYAR0000007	M 0 OHM 1/4W	1	
	R8927	DOYAR0000007	M 0 OHM 1/4W	1	
	R8928	DOYAR0000007	M 0 OHM 1/4W	1	
	R8929	DOYAR0000007	M 0 OHM 1/4W	1	
	R8930	ERJ2GEJ560X	M 56 OHM, J,0.063W	1	
	R8931	ERJ2GEJ560X	M 56 OHM, J,0.063W	1	
	R8932	ERJ2GEJ560X	M 56 OHM, J,0.063W	1	
	R8933	EXB2HV560JV	RESISTOR ARRAY	1	
	R8934	EXB2HV560JV	RESISTOR ARRAY	1	
	R8940	D1BB91R0A055	M 91 OHM, 1/10W	1	
	R8941	D1BB91R0A055	M 91 OHM, 1/10W	1	
	R8942	D1BB91R0A055	M 91 OHM, 1/10W	1	
	R8950	ERJ2GEJ103	M 10KOHM, J,0.063W	1	
	R8954	ERJ2RKD330	M 33 OHM, J, 2W	1	
	R8955	ERJ2RKD330	M 33 OHM, J, 2W	1	
	R8956	ERJ2GEJ104	M 100KOHM, J,0.063W	1	
	R8957	ERJ2GEJ104	M 100KOHM, J,0.063W	1	
	R8959	ERJ2GEJ103	M 10KOHM, J,0.063W	1	
	R8960	ERJ2GEJ104	M 100KOHM, J,0.063W	1	
	R8961	EXB2HV330JV	RESISTOR ARRAY	1	
	R8962	EXB2HV330JV	RESISTOR ARRAY	1	
	R8963	ERJ3GEYJ471	M 470 OHM, J,1/16W	1	
	R8964	ERJ2GEJ560X	M 56 OHM, J,0.063W	1	
	R8965	ERJ2GEJ103	M 10KOHM, J,0.063W	1	
	R8966	ERJ2GEJ103	M 10KOHM, J,0.063W	1	
	R8970	ERJ2GEJ560X	M 56 OHM, J,0.063W	1	
	R8972	ERJ2GEJ560X	M 56 OHM, J,0.063W	1	
	R8973	ERJ2GEJ560X	M 56 OHM, J,0.063W	1	

Safety	Ref. No.	Part No.	Part Name & Description	Pcs	Remarks
	R8974	ERJ2GEJ560X	M 56 OHM, J,0.063W	1	
	R9001	D0GBR00Z0002	M 0 OHM J 1/16W	1	
	R9002	D0GBR00Z0002	M 0 OHM J 1/16W	1	
	R9007	D0GBR00Z0002	M 0 OHM J 1/16W	1	
	R9013	ERJ6GEYJ472V	M 4.7K OHM J 1/10W	1	
	R9014	ERJ6GEYJ472V	M 4.7K OHM J 1/10W	1	
	R9015	D0GDR00Z0002	M 0 OHM, 1/10W	1	
	R9016	D0GDR00Z0002	M 0 OHM, 1/10W	1	
	R9023	D0GBR00Z0002	M 0 OHM J 1/16W	1	
	R9027	D0GBR00Z0002	M 0 OHM J 1/16W	1	
	R9028	D0GBR00Z0002	M 0 OHM J 1/16W	1	
	R9029	D0GBR00Z0002	M 0 OHM J 1/16W	1	
	R9101	ERJ2GEJ102X	M 1K OHM J 1/4W	1	
	R9103	ERJ2GEJ103	M 10KOHM, J,0.063W	1	
	R9105	ERJ2GEJ103	M 10KOHM, J,0.063W	1	
	R9107	ERJ2GEJ332	M 3.3KOHM, J,0.063W	1	
	R9110	ERJ2GEJ102X	M 1K OHM J 1/4W	1	
	R9112	ERJ2GEJ470	M 47 OHM, J,0.063W	1	
	R9113	ERJ2GEJ470	M 47 OHM, J,0.063W	1	
	R9114	ERJ2GEJ470	M 47 OHM, J,0.063W	1	
	R9115	ERJ2GEJ101	M 100 OHM, J,0.063W	1	
	R9116	ERJ2GEJ101	M 100 OHM, J,0.063W	1	
	R9117	ERJ2GEJ472	M 4.7KOHM, J,0.063W	1	
	R9118	D0GDR00Z0002	M 0 OHM, 1/10W	1	(D)
	R9118	ERJ3GEYJ471	M 470 OHM, J,1/16W	1	(HC)
	R9119	EXB38V470J	RESISTOR ARRAY	1	
	R9120	EXB2HV103JV	RESISTOR ARRAY	1	
	R9121	ERJ2GEJ104	M 100KOHM, J,0.063W	1	(D)
	R9121	ERJ8GEYJ3R3V	M 3.3 OHM, J,1/8W	1	(HC)
	R9122	ERJ2GEJ332	M 3.3KOHM, J,0.063W	1	(D)
	R9122	ERJ8GEYJ3R3V	M 3.3 OHM, J,1/8W	1	(HC)
	R9123	ERJ8GEYJ3R3V	M 3.3 OHM, J,1/8W	1	(HC)
	R9123	EXB2HV470JV	RESISTOR ARRAY	1	(D)
	R9124	D0GDR00Z0002	M 0 OHM, 1/10W	1	(D)
	R9124	ERJ8GEYJ3R3V	M 3.3 OHM, J,1/8W	1	(HC)
	R9125	ERJ2GEJ472	M 4.7KOHM, J,0.063W	1	(D)
	R9125	ERJ8GEYJ3R3V	M 3.3 OHM, J,1/8W	1	(HC)
	R9126	ERJ2GEJ101	M 100 OHM, J,0.063W	1	(D)
	R9126	ERJ8GEYJ3R3V	M 3.3 OHM, J,1/8W	1	(HC)
	R9127	DOYAR0000007	M 0 OHM 1/4W	1	(D)
	R9127	ERJ8GEYJ3R3V	M 3.3 OHM, J,1/8W	1	(HC)
	R9128	ERJ8GEYJ3R3V	M 3.3 OHM, J,1/8W	1	
	R9129	D0GB100JA041	M 10 OHM J 1/16W	1	(HC)
	R9129	ERJ2GEJ683	M 68KOHM, J,0.063W	1	(D)
	R9130	D0GB100JA041	M 10 OHM J 1/16W	1	(HC)
	R9130	ERJ2GEJ104	M 100KOHM, J,0.063W	1	(D)
	R9131	ERJ2GEJ472	M 4.7KOHM, J,0.063W	1	
	R9132	ERJ2GEJ472	M 4.7KOHM, J,0.063W	1	
	R9133	D0GB100JA041	M 10 OHM J 1/16W	1	(HC)

Safety	Ref. No.	Part No.	Part Name & Description	Pcs	Remarks
	R9133	ERJ2GEJ680	M 68 OHM, J,0.063W	1	(D)
	R9134	DOYAR0000007	M 0 OHM 1/4W	1	
	R9135	ERJ2GEJ472	M 4.7KOHM, J,0.063W	1	
	R9136	ERJ2GEJ103	M 10KOHM, J,0.063W	1	
	R9137	D0GB100JA041	M 10 OHM J 1/16W	1	(HC)
	R9137	EXB2HV220JV	RESISTOR ARRAY	1	(D)
	R9138	D0GB100JA041	M 10 OHM J 1/16W	1	(HC)
	R9138	EXB2HV220JV	RESISTOR ARRAY	1	(D)
	R9139	EXB2HV220JV	RESISTOR ARRAY	1	
	R9140	EXB2HV220JV	RESISTOR ARRAY	1	
	R9141	ERJ2GEJ101	M 100 OHM, J,0.063W	1	
	R9142	ERJ2GEJ220	M 22 OHM, J,0.063W	1	
	R9143	ERJ2GEJ220	M 22 OHM, J,0.063W	1	
	R9144	DOYAR0000007	M 0 OHM 1/4W	1	
	R9145	ERJ2GEJ472	M 4.7KOHM, J,0.063W	1	
	R9146	EXB2HV220JV	RESISTOR ARRAY	1	
	R9147	EXB2HV220JV	RESISTOR ARRAY	1	
	R9148	EXB38VR000V	RESISTOR ARRAY	1	
	R9149	ERJ2GEJ472	M 4.7KOHM, J,0.063W	1	
	R9150	ERJ2GEJ103	M 10KOHM, J,0.063W	1	
	R9151	ERJ2GEJ103	M 10KOHM, J,0.063W	1	
	R9154	ERJ2GEJ470	M 47 OHM, J,0.063W	1	
	R9155	ERJ2GEJ103	M 10KOHM, J,0.063W	1	
	R9156	DOYAR0000007	M 0 OHM 1/4W	1	
	R9157	ERJ2GEJ472	M 4.7KOHM, J,0.063W	1	
	R9158	ERJ2GEJ470	M 47 OHM, J,0.063W	1	
	R9159	ERJ2GEJ393	M 39KOHM, J,0.063W	1	
	R9160	ERJ2GEJ393	M 39KOHM, J,0.063W	1	
	R9161	D0GB100JA041	M 10 OHM J 1/16W	1	(HC)
	R9161	ERJ2GEJ393	M 39KOHM, J,0.063W	1	(D)
	R9162	ERJ2GEJ104	M 100KOHM, J,0.063W	1	
	R9163	ERJ2GEJ103	M 10KOHM, J,0.063W	1	
	R9164	ERJ2GEJ220	M 22 OHM, J,0.063W	1	
	R9166	ERJ2GEJ220	M 22 OHM, J,0.063W	1	
	R9167	ERJ2GEJ472	M 4.7KOHM, J,0.063W	1	
	R9168	D0GDR00Z0002	M 0 OHM, 1/10W	1	
	R9170	ERJ2GEJ472	M 4.7KOHM, J,0.063W	1	
	R9171	ERJ2GEJ103	M 10KOHM, J,0.063W	1	
	R9172	DOYAR0000007	M 0 OHM 1/4W	1	
	R9174	ERJ2GEJ102X	M 1K OHM J 1/4W	1	
	R9175	ERJ2GEJ101	M 100 OHM, J,0.063W	1	
	R9177	ERJ2GEJ220	M 22 OHM, J,0.063W	1	
	R9178	ERJ2GEJ220	M 22 OHM, J,0.063W	1	
	R9179	ERJ2GEJ220	M 22 OHM, J,0.063W	1	
	R9180	ERJ2GEJ220	M 22 OHM, J,0.063W	1	
	R9181	ERJ2GEJ220	M 22 OHM, J,0.063W	1	
	R9182	ERJ2GEJ220	M 22 OHM, J,0.063W	1	

Safety	Ref. No.	Part No.	Part Name & Description	Pcs	Remarks
	R9185	ERJ2GEJ223	M 22KOHM, J,0.063W	1	
	R9186	ERJ2GEJ333	M 33KOHM, J,0.063W	1	
	R9187	ERJ2GED563X	M 56KOHM, J,0.063W	1	
	R9188	ERJ2GEJ243	M 24KOHM, J,0.063W	1	
	R9189	ERJ2GEJ104	M 100KOHM, J,0.063W	1	
	R9190	ERJ2GEJ472	M 4.7KOHM, J,0.063W	1	
	R9191	ERJ2GEJ104	M 100KOHM, J,0.063W	1	
	R9192	ERJ2GEJ103	M 10KOHM, J,0.063W	1	
	R9193	EXB2HV220JV	RESISTOR ARRAY	1	
	R9195	EXB2HV220JV	RESISTOR ARRAY	1	
	R9197	ERJ2GEJ470	M 47 OHM, J,0.063W	1	
	R9198	DOYAR0000007	M 0 OHM 1/4W	1	
	R9199	ERJ2GEJ470	M 47 OHM, J,0.063W	1	
	R9200	ERJ2GEJ100	M 10 OHM, J,0.063W	1	
	R9201	ERJ2GEJ100	M 10 OHM, J,0.063W	1	
	R9202	ERJ2GEJ470	M 47 OHM, J,0.063W	1	
	R9204	ERJ2GEJ223	M 22KOHM, J,0.063W	1	
	R9205	ERJ2GEJ331	M 330 OHM, J,0.063W	1	
	R9206	ERJ2GEJ102X	M 1K OHM J 1/4W	1	
	R9207	ERJ2GEJ470	M 47 OHM, J,0.063W	1	
	R9208	EXB2HV220JV	RESISTOR ARRAY	1	
	R9209	EXB2HV220JV	RESISTOR ARRAY	1	
	R9210	EXB2HV220JV	RESISTOR ARRAY	1	
	R9211	EXB2HV220JV	RESISTOR ARRAY	1	
	R9212	EXB2HV470JV	RESISTOR ARRAY	1	
	R9213	ERJ2GEJ101	M 100 OHM, J,0.063W	1	
	R9214	ERJ2GEJ104	M 100KOHM, J,0.063W	1	
	R9215	ERJ2GEJ470	M 47 OHM, J,0.063W	1	
	R9216	ERJ2GEJ220	M 22 OHM, J,0.063W	1	
	R9217	ERJ2GEJ680	M 68 OHM, J,0.063W	1	
	R9218	ERJ2GEJ470	M 47 OHM, J,0.063W	1	
	R9219	ERJ2GEJ103	M 10KOHM, J,0.063W	1	
	R9223	ERJ2RHD272	M 2.7KOHM, J, 2W	1	
	R9224	ERJ2GEJ220	M 22 OHM, J,0.063W	1	
	R9225	ERJ2RHD272	M 2.7KOHM, J, 2W	1	
	R9226	ERJ2GEJ101	M 100 OHM, J,0.063W	1	
	R9229	ERJ2GEJ101	M 100 OHM, J,0.063W	1	
	R9230	EXB38V470J	RESISTOR ARRAY	1	
	R9231	DOYAR0000007	M 0 OHM 1/4W	1	
	R9232	ERJ2GEJ470	M 47 OHM, J,0.063W	1	
	R9233	ERJ2GEJ472	M 4.7KOHM, J,0.063W	1	
	R9234	EXB2HV470JV	RESISTOR ARRAY	1	
	R9235	EXB2HV470JV	RESISTOR ARRAY	1	
	R9236	ERJ2RKD330	M 33 OHM, J, 2W	1	
	R9237	EXB38V470J	RESISTOR ARRAY	1	
	R9238	ERJ2GEJ151	M 150 OHM, J,0.063W	1	
	R9245	ERJ2GEJ102X	M 1K OHM J 1/4W	1	
	R9246	ERJ2GEJ103	M 10KOHM, J,0.063W	1	

Safety	Ref. No.	Part No.	Part Name & Description	Pcs	Remarks
	R9247	ERJ2GEJ470	M 47 OHM, J,0.063W	1	
	R9248	D1BB1001A055	M 1KOHM, 1/16W	1	
	R9249	D1BB1001A055	M 1KOHM, 1/16W	1	
	R9250	D1BB1001A055	M 1KOHM, 1/16W	1	
	R9251	D1BB1001A055	M 1KOHM, 1/16W	1	
	R9252	ERJ2RKD330	M 33 OHM, J, 2W	1	
	R9253	EXB2HV103JV	RESISTOR ARRAY	1	
	R9254	EXB2HV103JV	RESISTOR ARRAY	1	
	R9255	EXB2HV103JV	RESISTOR ARRAY	1	
	R9256	EXB38V470J	RESISTOR ARRAY	1	
	R9257	EXB38V470J	RESISTOR ARRAY	1	
	R9258	EXB38V470J	RESISTOR ARRAY	1	
	R9259	EXB38V470J	RESISTOR ARRAY	1	
	R9260	EXB38V470J	RESISTOR ARRAY	1	
	R9261	EXB38V470J	RESISTOR ARRAY	1	
	R9262	EXB38V470J	RESISTOR ARRAY	1	
	R9263	EXB38V470J	RESISTOR ARRAY	1	
	R9264	ERJ2GEJ470	M 47 OHM, J,0.063W	1	
	R9265	ERJ2GEJ470	M 47 OHM, J,0.063W	1	
	R9266	ERJ2GEJ470	M 47 OHM, J,0.063W	1	
	R9267	ERJ2GEJ470	M 47 OHM, J,0.063W	1	
	R9270	ERJ2GEJ470	M 47 OHM, J,0.063W	1	
	R9271	ERJ2GEJ470	M 47 OHM, J,0.063W	1	
	R9272	ERJ2GEJ101	M 100 OHM, J,0.063W	1	
	R9273	ERJ2GEJ470	M 47 OHM, J,0.063W	1	
	R9274	EXB2HV151J	RESISTOR ARRAY	1	
	R9275	EXB2HV151J	RESISTOR ARRAY	1	
	R9276	EXB2HV151J	RESISTOR ARRAY	1	
	R9277	EXB2HV151J	RESISTOR ARRAY	1	
	R9279	DOYAR0000007	M 0 OHM 1/4W	1	
	R9280	EXB2HV103JV	RESISTOR ARRAY	1	
	R9281	EXB2HV103JV	RESISTOR ARRAY	1	
	R9282	EXB2HV103JV	RESISTOR ARRAY	1	
	R9283	ERJ2GEJ103	M 10KOHM, J,0.063W	1	
	R9286	DOYAR0000007	M 0 OHM 1/4W	1	
	R9287	DOYAR0000007	M 0 OHM 1/4W	1	
	R9288	DOYAR0000007	M 0 OHM 1/4W	1	
	R9292	EXB2HVR000	RESISTOR ARRAY	1	
	R9293	EXB2HV470JV	RESISTOR ARRAY	1	
	R9295	ERJ2GEJ101	M 100 OHM, J,0.063W	1	
	R9296	ERJ2GEJ101	M 100 OHM, J,0.063W	1	
	R9297	ERJ2GEJ101	M 100 OHM, J,0.063W	1	
	R9298	ERJ2GEJ101	M 100 OHM, J,0.063W	1	
	R9299	ERJ2GEJ101	M 100 OHM, J,0.063W	1	
	R9300	ERJ2GEJ101	M 100 OHM, J,0.063W	1	
	R9301	ERJ2GEJ101	M 100 OHM, J,0.063W	1	
	R9302	ERJ2GEJ101	M 100 OHM, J,0.063W	1	
	R9303	ERJ2GEJ101	M 100 OHM, J,0.063W	1	
	R9304	ERJ2GEJ101	M 100 OHM, J,0.063W	1	
	R9308	ERJ2GEJ102X	M 1K OHM J 1/4W	1	
	R9309	ERJ2GEJ103	M 10KOHM, J,0.063W	1	
	R9310	EXB38V103JV	RESISTOR ARRAY	1	
	R9311	ERJ2GEJ102X	M 1K OHM J 1/4W	1	
	R9312	ERJ2GEJ332	M 3.3KOHM, J,0.063W	1	

Safety	Ref. No.	Part No.	Part Name & Description	Pcs	Remarks
	R9315	ERJ2GEJ103	M 10KOHM, J,0.063W	1	
	R9317	ERJ2GEJ220	M 22 OHM, J,0.063W	1	
	R9319	ERJ2GEJ220	M 22 OHM, J,0.063W	1	
	R9321	ERJ2GEJ220	M 22 OHM, J,0.063W	1	
	R9323	ERJ2GEJ220	M 22 OHM, J,0.063W	1	
	R9325	ERJ2GEJ103	M 10KOHM, J,0.063W	1	
	R9326	ERJ2GEJ470	M 47 OHM, J,0.063W	1	
	R9327	ERJ2GEJ103	M 10KOHM, J,0.063W	1	
	R9333	EXB38V103JV	RESISTOR ARRAY	1	
	R9334	ERJ2GEJ103	M 10KOHM, J,0.063W	1	
	R9335	EXB2HV103JV	RESISTOR ARRAY	1	
	R9337	ERJ2GEJ103	M 10KOHM, J,0.063W	1	
	R9341	ERJ2GEJ101	M 100 OHM, J,0.063W	1	
	R9342	ERJ2GEJ102X	M 1K OHM J 1/4W	1	
	R9343	ERJ2GEJ102X	M 1K OHM J 1/4W	1	
	R9344	ERJ2GEJ470	M 47 OHM, J,0.063W	1	
	R9345	ERJ2GEJ680	M 68 OHM, J,0.063W	1	
	R9348	ERJ2GEJ103	M 10KOHM, J,0.063W	1	
	R9350	ERJ2GEJ101	M 100 OHM, J,0.063W	1	
	R9351	ERJ2GEJ101	M 100 OHM, J,0.063W	1	
	R9352	EXB2HV470JV	RESISTOR ARRAY	1	
	R9353	EXB38V470J	RESISTOR ARRAY	1	
	R9354	EXB2HV103JV	RESISTOR ARRAY	1	
	R9355	ERJ2GEJ103	M 10KOHM, J,0.063W	1	
	R9358	ERJ2GEJ103	M 10KOHM, J,0.063W	1	
	R9362	ERJ2GEJ103	M 10KOHM, J,0.063W	1	
	R9385	ERJ2GEJ472	M 4.7KOHM, J,0.063W	1	
	R9419	ERJ3GEYJ220	M 22 OHM,J,1/16W	1	
	R9420	ERJ3GEYJ220	M 22 OHM,J,1/16W	1	
	R9421	D0GB103JA041	M 10K OHM J 1/16W	1	
	R9578	ERJ2GEJ472	M 4.7KOHM, J,0.063W	1	
	R9599	ERJ2GEJ680	M 68 OHM, J,0.063W	1	
	R9600	ERJ2GEJ680	M 68 OHM, J,0.063W	1	
	R9611	ERJ2GEJ680	M 68 OHM, J,0.063W	1	
	R9824	ERJ2GEJ101	M 100 OHM, J,0.063W	1	
	R9825	ERJ2GEJ101	M 100 OHM, J,0.063W	1	
	R9826	ERJ2GEJ101	M 100 OHM, J,0.063W	1	
	R9839	EXB38V101JV	RESISTOR ARRAY	1	
	R9840	ERJ2GEJ220	M 22 OHM, J,0.063W	1	
	R9846	EXB2HV103JV	RESISTOR ARRAY	1	
	R9847	EXB2HV103JV	RESISTOR ARRAY	1	
	R9848	EXB2HV470JV	RESISTOR ARRAY	1	
	R9849	EXB2HV470JV	RESISTOR ARRAY	1	
	R9854	ERJ2GEJ101	M 100 OHM, J,0.063W	1	
	R9859	EXB38V101JV	RESISTOR ARRAY	1	
	R9868	ERJ2GEJ104	M 100KOHM, J,0.063W	1	
	R9869	ERJ2GEJ103	M 10KOHM, J,0.063W	1	

Safety	Ref. No.	Part No.	Part Name & Description	Pcs	Remarks
	R9870	ERJ2GEJ103	M 10KOHM, J,0.063W	1	
	R9871	ERJ2GEJ103	M 10KOHM, J,0.063W	1	
	R9878	D1BB1502A055	M 15KOHM, 1/10W	1	
	R9879	D1BB1302A055	M 13KOHM, 1/10W	1	
	R9886	D1BB4702A055	M 47KOHM, 1/10W	1	
	R9887	D1BB5102A055	M 51KOHM, 1/10W	1	
	R9888	D1BB1502A055	M 15KOHM, 1/10W	1	
	R9889	D1BB1822A055	M18.2KOHM, 1/10W	1	
	R9890	D1BB4752A055	M47.5KOHM, 1/10W	1	
	R9891	D1BB1272A055	M12.7KOHM, 1/10W	1	
	R9892	ERJ2GEJ104	M 100KOHM, J,0.063W	1	
	R9893	D1BB4302A055	M 43KOHM, 1/10W	1	
	R9894	D1BB2002A055	M 20KOHM, 1/10W	1	
	R9895	ERJ2GEJ104	M 100KOHM, J,0.063W	1	
	R9896	D1BB1822A055	M18.2KOHM, 1/10W	1	
	R9897	D1BB4752A055	M47.5KOHM, 1/10W	1	
	R9901	DOYAR0000007	M 0 OHM 1/4W	1	
	R9905	ERJ2RKD330	M 33 OHM, J, 2W	1	
	R9907	ERJ2GEJ151	M 150 OHM, J,0.063W	1	
	R9936	D1BB1001A055	M 1KOHM, 1/16W	1	
	R9937	D1BB1001A055	M 1KOHM, 1/16W	1	
	R9938	D1BB1001A055	M 1KOHM, 1/16W	1	
	R9939	D1BB1001A055	M 1KOHM, 1/16W	1	
	R9940	ERJ2RKD330	M 33 OHM, J, 2W	1	
	R9944	EXB38V470J	RESISTOR ARRAY	1	
	R9945	EXB38V470J	RESISTOR ARRAY	1	
	R9946	EXB38V470J	RESISTOR ARRAY	1	
	R9947	EXB38V470J	RESISTOR ARRAY	1	
	R9948	EXB38V470J	RESISTOR ARRAY	1	
	R9949	EXB38V470J	RESISTOR ARRAY	1	
	R9950	EXB38V470J	RESISTOR ARRAY	1	
	R9951	EXB38V470J	RESISTOR ARRAY	1	
	R9952	ERJ2GEJ470	M 47 OHM, J,0.063W	1	
	R9953	ERJ2GEJ470	M 47 OHM, J,0.063W	1	
	R9954	ERJ2GEJ470	M 47 OHM, J,0.063W	1	
	R9955	ERJ2GEJ470	M 47 OHM, J,0.063W	1	
	R9966	ERJ2GEJ471	M 470 OHM, J,0.063W	1	
	R9969	ERJ2GEJ470	M 47 OHM, J,0.063W	1	
	R9972	ERJ2GEJ103	M 10KOHM, J,0.063W	1	
	R9973	ERJ2GEJ103	M 10KOHM, J,0.063W	1	
	R9974	ERJ2GEJ103	M 10KOHM, J,0.063W	1	
	R9975	ERJ2GEJ470	M 47 OHM, J,0.063W	1	
	R9980	DOYAR0000007	M 0 OHM 1/4W	1	
	R14349	D0GD103JA036	M 10KOHM,J,0.25W	1	
	R14350	D0GD101JA036	M 100 OHM,J,0.25W	1	
	R14351	D0GD103JA036	M 10KOHM,J,0.25W	1	
	R14352	D0GDR00Z0002	M 0 OHM, 1/10W	1	
	R14354	ERJ6GEYJ221V	M 220 OHM,J,1/10W	1	
	R14356	D0GDR00Z0002	M 0 OHM, 1/10W	1	
	R14357	ERJ6GEYJ221V	M 220 OHM,J,1/10W	1	
	R14358	D0GDR00Z0002	M 0 OHM, 1/10W	1	
	R14360	ERJ6GEYJ221V	M 220 OHM,J,1/10W	1	
	R14362	D0GDR00Z0002	M 0 OHM, 1/10W	1	
	R14363	ERJ6GEYJ221V	M 220 OHM,J,1/10W	1	
	R14364	D0GDR00Z0002	M 0 OHM, 1/10W	1	
	R14366	ERJ6GEYJ221V	M 220 OHM,J,1/10W	1	



Safety	Ref. No.	Part No.	Part Name & Description	Pcs	Remarks
	R14368	DOGDR00Z0002	M 0 OHM, 1/10W	1	
	R14369	ERJ6GEYJ221V	M 220 OHM,J,1/10W	1	
	R14370	DOGDR00Z0002	M 0 OHM, 1/10W	1	
	R14372	ERJ6GEYJ221V	M 220 OHM,J,1/10W	1	
	R14374	DOGDR00Z0002	M 0 OHM, 1/10W	1	
	R14375	DOGDR00Z0002	M 0 OHM, 1/10W	1	
	R14376	DOGDR00Z0002	M 0 OHM, 1/10W	1	
	R14378	DOGDR00Z0002	M 0 OHM, 1/10W	1	
	R14379	DOGDR00Z0002	M 0 OHM, 1/10W	1	
	R14381	DOGDR00Z0002	M 0 OHM, 1/10W	1	
	R14382	DOGDR00Z0002	M 0 OHM, 1/10W	1	
	R14384	DOGDR00Z0002	M 0 OHM, 1/10W	1	
	R14385	DOGDR00Z0002	M 0 OHM, 1/10W	1	
	R14387	DOGDR00Z0002	M 0 OHM, 1/10W	1	
	R14388	DOGDR00Z0002	M 0 OHM, 1/10W	1	
	R14390	DOGDR00Z0002	M 0 OHM, 1/10W	1	
	R14391	DOGDR00Z0002	M 0 OHM, 1/10W	1	
	R14393	DOGDR00Z0002	M 0 OHM, 1/10W	1	
	R14394	DOGDR00Z0002	M 0 OHM, 1/10W	1	
	R14397	DOGDR00Z0002	M 0 OHM, 1/10W	1	
	R14901	D0GD101JA036	M 100 OHM,J,0.25W	1	
	R14902	ERJ6GEYJ221V	M 220 OHM,J,1/10W	1	
	R14903	ERJ6GEYJ221V	M 220 OHM,J,1/10W	1	
	R14904	ERJ6GEYJ221V	M 220 OHM,J,1/10W	1	
	R14905	ERJ6GEYJ221V	M 220 OHM,J,1/10W	1	
	R14906	ERJ6GEYJ221V	M 220 OHM,J,1/10W	1	
	R14907	ERJ3GEYJ220	M 22 OHM,J,1/16W	1	
	R14908	ERJ3GEYJ220	M 22 OHM,J,1/16W	1	
	R14909	ERJ3GEYJ220	M 22 OHM,J,1/16W	1	
	R14910	ERJ3GEYJ220	M 22 OHM,J,1/16W	1	
	R14911	D0GD103JA036	M 10KOHM,J,0.25W	1	
	R14912	D0GD103JA036	M 10KOHM,J,0.25W	1	
	R14913	D0GD103JA036	M 10KOHM,J,0.25W	1	
	R14914	D0GD103JA036	M 10KOHM,J,0.25W	1	
	R14915	ERJ3GEYJ220	M 22 OHM,J,1/16W	1	
	R14916	D0GD103JA036	M 10KOHM,J,0.25W	1	
	R14917	ERJ3GEYJ220	M 22 OHM,J,1/16W	1	
	R14919	ERJ3GEYJ220	M 22 OHM,J,1/16W	1	
	R14920	ERJ3GEYJ220	M 22 OHM,J,1/16W	1	
	R14921	ERJ8GEYJ224V	M 220KOHM, J,1/8W	1	
	R14923	D0GD103JA036	M 10KOHM,J,0.25W	1	
	R14924	D0GD103JA036	M 10KOHM,J,0.25W	1	
	R14925	D0GD103JA036	M 10KOHM,J,0.25W	1	
	R14926	D0GD103JA036	M 10KOHM,J,0.25W	1	
	R14928	ERJ6GEYJ221V	M 220 OHM,J,1/10W	1	
	R14929	ERJ6GEYJ221V	M 220 OHM,J,1/10W	1	
	R14930	DOGDR00Z0002	M 0 OHM, 1/10W	1	
	R14931	ERJ6GEYJ220	M 22 OHM,J,1/16W	1	
	R14932	DOGDR00Z0002	M 0 OHM, 1/10W	1	
	R14934	ERJ3GEYJ470	M 47 OHM,J,1/16W	1	
	R14935	ERJ6GEYJ222V	M 2.2K OHM J 1/10W	1	
	R14936	ERJ6GEYJ472V	M 4.7K OHM J 1/10W	1	
	R14937	ERJ6GEYJ102V	M 1K OHM J 1/10W	1	
	R14939	DOGDR00Z0002	M 0 OHM, 1/10W	1	
	R14940	DOGDR00Z0002	M 0 OHM, 1/10W	1	
	R14942	DOGDR00Z0002	M 0 OHM, 1/10W	1	
	R14943	ERJ6GEYJ470V	M 47 OHM,J,1/16W	1	
	R14944	ERJ6GEYJ100V	M 10 OHM,J,1/10W	1	
	R14949	ERJ6GEYJ203	M 20KOHM,J,1/10W	1	
	R14950	D0GD103JA036	M 10KOHM,J,0.25W	1	
	R14951	DOGDR00Z0002	M 0 OHM, 1/10W	1	
	R14952	DOGDR00Z0002	M 0 OHM, 1/10W	1	
	R14953	DOGDR00Z0002	M 0 OHM, 1/10W	1	

Safety	Ref. No.	Part No.	Part Name & Description	Pcs	Remarks
	R14954	DOGDR00Z0002	M 0 OHM, 1/10W	1	
	R14955	DOGDR00Z0002	M 0 OHM, 1/10W	1	
	R14956	ERJ3GEYJ220	M 22 OHM,J,1/16W	1	
	R14957	ERJ3GEYJ220	M 22 OHM,J,1/16W	1	
	R14958	ERJ3GEYJ220	M 22 OHM,J,1/16W	1	
	R14959	ERJ3GEYJ220	M 22 OHM,J,1/16W	1	
	R14960	ERJ3GEYJ220	M 22 OHM,J,1/16W	1	
	R14961	ERJ6GEYJ331V	M 330 OHM J 1/10W	1	
	R14962	ERJ6GEYJ331V	M 330 OHM J 1/10W	1	
	R14963	ERJ6GEYJ331V	M 330 OHM J 1/10W	1	
	R14964	ERJ3GEYJ220	M 22 OHM,J,1/16W	1	
	R14965	ERJ6GEYJ331V	M 330 OHM J 1/10W	1	
	R14966	ERJ3GEYJ220	M 22 OHM,J,1/16W	1	
	R14967	ERJ3GEYJ220	M 22 OHM,J,1/16W	1	
	R14971	ERJ6GEYJ220	M 22 OHM,J,1/16W	1	
	R14973	ERJ3GEYJ470	M 47 OHM,J,1/16W	1	
	R14974	ERJ3GEYJ470	M 47 OHM,J,1/16W	1	
	R14975	ERJ3GEYJ470	M 47 OHM,J,1/16W	1	
	R14976	ERJ3GEYJ470	M 47 OHM,J,1/16W	1	
	R14977	ERJ6GEYJ222V	M 2.2K OHM J 1/10W	1	
	R14978	ERJ6GEYJ222V	M 2.2K OHM J 1/10W	1	
	R14979	ERJ6GEYJ222V	M 2.2K OHM J 1/10W	1	
	R14980	DOGDR00Z0002	M 0 OHM, 1/10W	1	
	R14981	D0GD103JA036	M 10KOHM,J,0.25W	1	
	R14982	D0GD103JA036	M 10KOHM,J,0.25W	1	
	R14984	D0GD103JA036	M 10KOHM,J,0.25W	1	
	R14986	ERJ8GEYJ224V	M 220KOHM, J,1/8W	1	
	R14987	ERJ3GEYJ470	M 47 OHM,J,1/16W	1	
	R14988	ERJ6GEYJ222V	M 2.2K OHM J 1/10W	1	
	R14990	D0GD103JA036	M 10KOHM,J,0.25W	1	
	R14991	ERJ3GEYJ220	M 22 OHM,J,1/16W	1	
	R14992	ERJ3GEYJ470	M 47 OHM,J,1/16W	1	
	R14993	ERJ3GEYJ470	M 47 OHM,J,1/16W	1	
	R14994	ERJ3GEYJ470	M 47 OHM,J,1/16W	1	
	R14995	D0GD103JA036	M 10KOHM,J,0.25W	1	
	R14996	D0GD103JA036	M 10KOHM,J,0.25W	1	
	R14997	D0GD103JA036	M 10KOHM,J,0.25W	1	
	R14998	D0GD103JA036	M 10KOHM,J,0.25W	1	
	R14999	ERJ6GEYJ331V	M 330 OHM J 1/10W	1	
	R16001	ERJT08J7R5V	M 7.5OHM,J,0.33W	1	
	R16002	ERJT08J7R5V	M 7.5OHM,J,0.33W	1	
	R16003	ERJT08J7R5V	M 7.5OHM,J,0.33W	1	
	R16004	ERJT08J7R5V	M 7.5OHM,J,0.33W	1	
	R16021	ERJT08J7R5V	M 7.5OHM,J,0.33W	1	
	R16022	ERJT08J7R5V	M 7.5OHM,J,0.33W	1	
	R16023	ERJT08J7R5V	M 7.5OHM,J,0.33W	1	
	R16024	ERJT08J7R5V	M 7.5OHM,J,0.33W	1	
	R16031	ERJ6ENF8202	M 82KOHM, 1/10W	1	
	R16032	ERJ6ENF8202	M 82KOHM, 1/10W	1	
	R16033	ERJ6ENF5602	M 56KOHM, 1/10W	1	
	R16034	ERJ6ENF2702	M 27KOHM, 1/10W	1	
	R16041	ERJT08J5R6V	M 5.6 OHM,F,0.33W	1	
	R16042	ERJT08J5R6V	M 5.6 OHM,F,0.33W	1	
	R16051	ERJT08J5R6V	M 5.6 OHM,F,0.33W	1	
	R16052	ERJT08J5R6V	M 5.6 OHM,F,0.33W	1	

Safety	Ref. No.	Part No.	Part Name & Description	Pcs	Remarks
	R16101	ERJT06J221V	M 220 OHM,F,0.25W	1	
	R16102	ERJT06J221V	M 220 OHM,F,0.25W	1	
	R16103	ERJT06J100V	M 10 OHM,F,0.25W	1	
	R16104	ERJT06J100V	M 10 OHM,F,0.25W	1	
	R16105	ERJ8GEYJ474	M 470KOHM, J,1/8W	1	
	R16109	ERJT06J100V	M 10 OHM,F,0.25W	1	
	R16110	ERJ6GEYF473	M 47KOHM,J,1/10W	1	
	R16116	ERJ6GEYF473	M 47KOHM,J,1/10W	1	
	R16131	DOGD101JA036	M 100 OHM,J,0.25W	1	
	R16132	DOGD101JA036	M 100 OHM,J,0.25W	1	
	R16134	ERJT06J750V	M 75 OHM,F,0.25W	1	
	R16137	ERJT08J1R0V	M 1.8OHM,J,0.33W	1	
	R16138	ERJ14Y0R00	M 0 OHM, J,1/4W	1	
	R16141	ERJT06J100V	M 10 OHM,F,0.25W	1	
	R16142	ERJ6GEYF473	M 47KOHM,J,1/10W	1	
	R16143	ERJ6GEYF473	M 47KOHM,J,1/10W	1	
	R16151	DOGD101JA036	M 100 OHM,J,0.25W	1	
	R16152	DOGD101JA036	M 100 OHM,J,0.25W	1	
	R16154	ERJT06J750V	M 75 OHM,F,0.25W	1	
	R16155	ERJT08J1R0V	M 1.8OHM,J,0.33W	1	
	R16159	ERJT08J1R0V	M 1.8OHM,J,0.33W	1	
	R16161	ERJT06J100V	M 10 OHM,F,0.25W	1	
	R16162	ERJ6GEYF473	M 47KOHM,J,1/10W	1	
	R16163	ERJ6GEYF473	M 47KOHM,J,1/10W	1	
	R16171	ERJT06J100V	M 10 OHM,F,0.25W	1	
	R16172	ERJ6GEYF473	M 47KOHM,J,1/10W	1	
	R16173	ERJ6GEYF473	M 47KOHM,J,1/10W	1	
	R16181	ERJT06J100V	M 10 OHM,F,0.25W	1	
	R16182	ERJ6GEYF473	M 47KOHM,J,1/10W	1	
	R16183	ERJ6GEYF473	M 47KOHM,J,1/10W	1	
	R16191	DOGD151JA036	M 150 OHM,J,0.25W	1	
	R16192	ERJ6GEYJ103V	M 10K OHM J 1/10W	1	
	R16195	ERJT08J1R0V	M 1.8OHM,J,0.33W	1	
	R16220	ERJ6GEYJ470V	M 47 OHM,J,1/10W	1	
	R16221	ERJ6GEYJ472V	M 4.7K OHM J 1/10W	1	
	R16230	ERJ6GEYJ470V	M 47 OHM,J,1/10W	1	
	R16231	ERJ6GEYJ472V	M 4.7K OHM J 1/10W	1	
	R16241	EXB38V470J	RESISTOR ARRAY	1	
	R16242	EXB38V472JV	RESISTOR ARRAY	1	
	R16251	ERJ6ENF1401	M 1.4KOHM, 1/10W	1	
	R16252	ERJ6ENF3902	M 39KOHM, 1/10W	1	
	R16253	ERJ6ENF3902	M 39KOHM, 1/10W	1	
	R16254	ERJ6ENF6801	M 6.8KOHM, 1/10W	1	
	R16255	ERJ6ENF1201	M 1.2KOHM, 1/10W	1	
	R16256	ERJ6ENF1501	M 1.5KOHM, 1/10W	1	
	R16257	DOGD273JA036	M 27KOHM,J,0.25W	1	
	R16258	ERJ6GEYJ103V	M 10K OHM J 1/10W	1	
	R16260	ERJ6GEYJ222V	M 2.2K OHM J 1/10W	1	
	R16261	ERJ6GEYJ104V	M 100KOHM,J,1/10W	1	
	R16280	ERJ6GEYJ222V	M 2.2K OHM J 1/10W	1	
	R16281	DOGD103JA036	M 10KOHM,J,0.25W	1	
	R16282	ERJ6GEYJ221V	M 220 OHM,J,1/10W	1	
	R16283	ERJ6GEYF473	M 47KOHM,J,1/10W	1	
	R16284	ERJ6GEYJ224	M 220KOHM,J,1/10W	1	
	R16285	EXB38V623J	RESISTOR ARRAY	1	
	R16286	EXB38V623J	RESISTOR ARRAY	1	

Safety	Ref. No.	Part No.	Part Name & Description	Pcs	Remarks
	R16289	ERJT08J334V	M 330KOHM,F,0.33W	1	
	R16290	ERJT08J334V	M 330KOHM,F,0.33W	1	
	R16293	ERJT08J334V	M 330KOHM,F,0.33W	1	
	R16294	ERJT08J334V	M 330KOHM,F,0.33W	1	
	R16300	ERJT08J102V	M 1KOHM,J, 0.33W	1	
	R16301	ERJ6GEYJ472V	M 4.7K OHM J 1/10W	1	
	R16302	ERJ8GEYJ333	M 33KOHM, J,1/8W	1	
	R16303	DOGD101JA036	M 100 OHM,J,0.25W	1	
	R16304	ERJT08J751	M750 OHM,F,0.33W	1	
	R16305	ERJ6GEYJ271V	M 270 OHM J 1/10W	1	
	R16306	DOGD101JA036	M 100 OHM,J,0.25W	1	
	R16308	DOGD101JA036	M 100 OHM,J,0.25W	1	
	R16309	ERJ8GEYJ333	M 33KOHM, J,1/8W	1	
	R16310	ERJ6GEYJ223	M 22KOHM,J,1/10W	1	
	R16311	ERJ6GEYJ124V	M 120KOHM,J,1/10W	1	
	R16312	ERJ6GEYJ124V	M 120KOHM,J,1/10W	1	
	R16313	ERJ6ENF5232	M52.3KOHM, 1/10W	1	
	R16314	ERJ6ENF6192	M61.9KOHM, 1/10W	1	
	R16315	ERJ6ENF1241	M1.24KOHM, 1/10W	1	
	R16316	ERJ6GEYJ103V	M 10K OHM J 1/10W	1	
	R16321	ERJ6GEYF473	M 47KOHM,J,1/10W	1	
	R16322	ERJ6GEYF561	M 560 OHM,F,1/10W	1	
	R16323	ERJ6GEYJ103V	M 10K OHM J 1/10W	1	
	R16324	ERJ6GEYF473	M 47KOHM,J,1/10W	1	
	R16325	DOGDR00Z0002	M 0 OHM, 1/10W	1	
	R16331	ERJT06J101V	M 100 OHM,F,0.25W	1	
	R16333	ERJ6ENF3303	M 330KOHM, 1/10W	1	
	R16338	ERJT06J101V	M 100 OHM,F,0.25W	1	
	R16339	ERJ6ENF3303	M 330KOHM, 1/10W	1	
	R16401	ERJT08J7R5V	M 7.5OHM,J,0.33W	1	
	R16402	ERJT08J7R5V	M 7.5OHM,J,0.33W	1	
	R16404	ERJT08J7R5V	M 7.5OHM,J,0.33W	1	
	R16406	ERJT08J7R5V	M 7.5OHM,J,0.33W	1	
	R16410	ERJ6GEYG391	M 390 OHM,F,1/10W	1	
	R16411	ERJ6ENF2700	M 270 OHM, 1/10W	1	
	R16414	ERJ6GEYJ331V	M 330 OHM J 1/10W	1	
	R16415	ERJ6GEYJ331V	M 330 OHM J 1/10W	1	
	R16416	DOGD103JA036	M 10KOHM,J,0.25W	1	
	R16421	ERJT08J7R5V	M 7.5OHM,J,0.33W	1	
	R16423	ERJT08J7R5V	M 7.5OHM,J,0.33W	1	
	R16424	ERJT08J7R5V	M 7.5OHM,J,0.33W	1	
	R16425	ERJT08J7R5V	M 7.5OHM,J,0.33W	1	
	R16441	ERJT08J5R6V	M 5.6 OHM,F,0.33W	1	
	R16442	ERJT08J5R6V	M 5.6 OHM,F,0.33W	1	
	R16443	ERJT08J5R6V	M 5.6 OHM,F,0.33W	1	
	R16453	ERJT08J5R6V	M 5.6 OHM,F,0.33W	1	
	R16454	ERJT08J5R6V	M 5.6 OHM,F,0.33W	1	

Safety	Ref. No.	Part No.	Part Name & Description	Pcs	Remarks
	R16465	ERJ6ENF2702	M 27KOHM, 1/10W	1	
	R16466	ERJ6ENF5602	M 56KOHM, 1/10W	1	
	R16467	ERJ6ENF8202	M 82KOHM, 1/10W	1	
	R16468	ERJ6ENF8202	M 82KOHM, 1/10W	1	
	R16471	ERJ6GEYG392	M 3.9KOHM,J,1/10W	1	
	R16472	ERJ6GEYJ222V	M 2.2K OHM J 1/10W	1	
	R16473	ERJ6GEYF561	M 560 OHM,F,1/10W	1	
	R16474	ERJ6GEYJ102V	M 1K OHM J 1/10W	1	
	R16475	ERJ6GEYJ472V	M 4.7K OHM J 1/10W	1	
	R16476	ERJ6GEYJ472V	M 4.7K OHM J 1/10W	1	
	R16478	ERJ6GEYJ562V	M 5.6KOHM,J,1/10W	1	
	R16479	DOGD103JA036	M 10KOHM,J,0.25W	1	
	R16480	ERJ6GEYJ472V	M 4.7K OHM J 1/10W	1	
	R16500	ERJT08J2R2V	M 2.2OHM,J,0.33W	1	
	R16501	DOGD101JA036	M 100 OHM,J,0.25W	1	
	R16502	DOGD101JA036	M 100 OHM,J,0.25W	1	
	R16503	ERJT06J100V	M 10 OHM,F,0.25W	1	
	R16504	ERJT06J750V	M 75 OHM,F,0.25W	1	
	R16506	ERJT06J100V	M 10 OHM,F,0.25W	1	
	R16509	ERJT08J1R0V	M 1.8OHM,J,0.33W	1	
	R16510	ERJT14J1R0U	Cl.0 OHM, J,1/4W	1	
	R16511	ERJ6GEYF473	M 47KOHM,J,1/10W	1	
	R16512	ERJ6GEYF473	M 47KOHM,J,1/10W	1	
	R16516	ERJ6GEYF473	M 47KOHM,J,1/10W	1	
	R16517	ERJ6GEYF473	M 47KOHM,J,1/10W	1	
	R16520	ERJT06J100V	M 10 OHM,F,0.25W	1	
	R16521	DOGD101JA036	M 100 OHM,J,0.25W	1	
	R16522	DOGD101JA036	M 100 OHM,J,0.25W	1	
	R16523	ERJT06J750V	M 75 OHM,F,0.25W	1	
	R16526	ERJT06J100V	M 10 OHM,F,0.25W	1	
	R16527	ERJ6GEYF473	M 47KOHM,J,1/10W	1	
	R16528	ERJ6GEYF473	M 47KOHM,J,1/10W	1	
	R16529	ERJ6GEYF473	M 47KOHM,J,1/10W	1	
	R16530	ERJ6GEYF473	M 47KOHM,J,1/10W	1	
	R16531	ERJT06J100V	M 10 OHM,F,0.25W	1	
	R16532	ERJ6GEYF473	M 47KOHM,J,1/10W	1	
	R16533	ERJ6GEYF473	M 47KOHM,J,1/10W	1	
	R16536	ERJT08J1R0V	M 1.8OHM,J,0.33W	1	
	R16538	ERJT06J100V	M 10 OHM,F,0.25W	1	
	R16539	ERJ6GEYF473	M 47KOHM,J,1/10W	1	
	R16540	ERJ6GEYF473	M 47KOHM,J,1/10W	1	
	R16542	ERJT06J100V	M 10 OHM,F,0.25W	1	
	R16543	ERJ6GEYF473	M 47KOHM,J,1/10W	1	
	R16544	ERJ6GEYF473	M 47KOHM,J,1/10W	1	
	R16561	EXB38V470J	RESISTOR ARRAY	1	
	R16562	EXB38V470J	RESISTOR ARRAY	1	
	R16563	EXB38V470J	RESISTOR ARRAY	1	
	R16564	EXB38V470J	RESISTOR ARRAY	1	
	R16565	EXB38V472JV	RESISTOR ARRAY	1	
	R16566	EXB38V472JV	RESISTOR ARRAY	1	
	R16567	EXB38V472JV	RESISTOR ARRAY	1	
	R16568	EXB38V472JV	RESISTOR ARRAY	1	
	R16570	EXB38V472JV	RESISTOR ARRAY	1	
	R16573	ERJ6GEYJ220	M 22 OHM,J,1/10W	1	
	R16579	EXB38V470J	RESISTOR ARRAY	1	
	R16582	ERJ6ENF3902	M 39KOHM, 1/10W	1	
	R16583	ERJ6ENF3902	M 39KOHM, 1/10W	1	
	R16584	ERJ6ENF6801	M 6.8KOHM, 1/10W	1	
	R16585	ERJ6ENF1201	M 1.2KOHM, 1/10W	1	
	R16586	ERJ6ENF1501	M 1.5KOHM, 1/10W	1	
	R16587	ERJ6GEYJ222V	M 2.2K OHM J 1/10W	1	

Safety	Ref. No.	Part No.	Part Name & Description	Pcs	Remarks
	R16588	DOGD103JA036	M 10KOHM,J,0.25W	1	
	R16590	ERJ6GEYJ221V	M 220 OHM,J,1/10W	1	
	R16591	EXB38V472JV	RESISTOR ARRAY	1	
	R16592	ERJ6GEYJ472V	M 4.7K OHM J 1/10W	1	
	R16593	ERJ6ENF1401	M 1.4KOHM, 1/10W	1	
	R16602	ERJ6GEYJ102V	M 1K OHM J 1/10W	1	
	R16604	ERJ6GEYJ331V	M 330 OHM J 1/10W	1	
	R16605	ERJ6GEYJ471	M 470 OHM,J,1/10W	1	
	R16606	DOGD103JA036	M 10KOHM,J,0.25W	1	
	R16607	ERJ6ENF7151	M7.15KOHM, 1/10W	1	
	R16608	ERJT08J102V	M 1KOHM,J, 0.33W	1	
	R16609	DOGZ102JA020	M 1KOHM,J,1/16W	1	
	R16610	ERJ6GEYJ104V	M 100KOHM,J,1/10W	1	
	R16611	ERJ8GEYJ683V	M 68KOHM, J,1/8W	1	
	R16612	ERJT06J470V	M 47 OHM,F,0.25W	1	
	R16613	ERJ8GEYJ473	M 47KOHM, J,1/8W	1	
	R16614	ERJ8GEYJ683V	M 68KOHM, J,1/8W	1	
	R16615	ERJ6ENF1101	M 1.1KOHM, 1/10W	1	
	R16617	ERJ6GEYJ222V	M 2.2K OHM J 1/10W	1	
	R16621	ERJ6GEYF561	M 560 OHM,F,1/10W	1	
	R16622	ERJ6GEYF561	M 560 OHM,F,1/10W	1	
	R16631	DOGD103JA036	M 10KOHM,J,0.25W	1	
	R16633	ERJ6GEYJ223	M 22KOHM,J,1/10W	1	
	R16634	ERJ6GEYJ221V	M 220 OHM,J,1/10W	1	
	R16638	DOGZ6R8JA020	M 6.8 OHM,J,0.5W	1	
	R16642	ERJT06J330V	M 33 OHM,F,0.25W	1	
	R16643	ERJT06J330V	M 33 OHM,F,0.25W	1	
	R16661	ERJ6GEYJ182	M 1.8KOHM,J,1/10W	1	
	R16662	ERJ6ENF2201	M 2.2KOHM, 1/10W	1	
	R16663	ERJ6GEYJ562V	M 5.6KOHM,J,1/10W	1	
	R16664	DOGZ102JA020	M 1KOHM,J,1/16W	1	
	R16665	ERJT06J330V	M 33 OHM,F,0.25W	1	
	R16666	DOGD103JA036	M 10KOHM,J,0.25W	1	
	R16668	ERJ6GEYF473	M 47KOHM,J,1/10W	1	
	R16669	ERJ6GEYJ472V	M 4.7K OHM J 1/10W	1	
	R16670	ERJT06J470V	M 47 OHM,F,0.25W	1	
	R16671	ERJ6GEYF473	M 47KOHM,J,1/10W	1	
	R16672	ERJ6GEYJ102V	M 1K OHM J 1/10W	1	
	R16674	DOGZ102JA020	M 1KOHM,J,1/16W	1	
	R16676	ERJ6GEYJ472V	M 4.7K OHM J 1/10W	1	
	R16677	ERJ6RBD152	M 1.5KOHM,J,1/10W	1	
	R16678	ERJ8GEYJ563	M 56KOHM, J,1/8W	1	
	R16681	ERJT06J100V	M 10 OHM,F,0.25W	1	
	R16682	ERJT06J100V	M 10 OHM,F,0.25W	1	
	R16684	ERJ6GEYJ221V	M 220 OHM,J,1/10W	1	
	R16685	ERJ6GEYJ221V	M 220 OHM,J,1/10W	1	
	R16696	ERF5TK2R2	W 2.2 OHM, K, 5W	1	
	R16700	ERJ6GEYJ472V	M 4.7K OHM J 1/10W	1	
	R16701	DOGD103JA036	M 10KOHM,J,0.25W	1	
	R16702	ERJ6GEYJ332V	M 3.3K OHM J 1/10W	1	
	R16703	DOGD103JA036	M 10KOHM,J,0.25W	1	
	R16704	DOGD103JA036	M 10KOHM,J,0.25W	1	
	R16707	ERJ6GEYJ392	M 3.9KOHM,J,1/10W	1	
	R16711	ERJ6GEYJ472V	M 4.7K OHM J 1/10W	1	
	R16712	ERJ6GEYJ102V	M 1K OHM J 1/10W	1	
	R16717	ERJ6GEYJ102V	M 1K OHM J 1/10W	1	

Safety	Ref. No.	Part No.	Part Name & Description	Pcs	Remarks
	R16719	ERJ3GEYJ220	M 22 OHM,J,1/16W	1	
	R16720	ERJ3GEYJ220	M 22 OHM,J,1/16W	1	
	R16721	ERJ3GEYJ220	M 22 OHM,J,1/16W	1	
	R16722	ERJ3GEYJ220	M 22 OHM,J,1/16W	1	
	R16723	ERJ3GEYJ220	M 22 OHM,J,1/16W	1	
	R16729	ERJ6GEYF473	M 47KOHM,J,1/10W	1	
	R16730	ERJ6GEYF473	M 47KOHM,J,1/10W	1	
	R16731	ERG1FJS823D	M 82KOHM, J, 1W	1	
	R16732	ERJ6GEYG392	M 3.9KOHM,J,1/10W	1	
	R16733	ERJ6GEYJ474	M 470KOHM,J,1/10W	1	
	R16734	ERJ6ENF4991	M4.99KOHM, 1/10W	1	
	R16735	ERJ6ENF2213	M 221KOHM, 1/10W	1	
	R16736	ERJ6ENF2213	M 221KOHM, 1/10W	1	
	R16737	ERJ6ENF2103	M 210KOHM, 1/10W	1	
	R16738	ERG1FJS823D	M 82KOHM, J, 1W	1	
	R16740	ERJ6GEYJ104V	M 100KOHM,J,1/10W	1	
	R16742	DOGD103JA036	M 10KOHM,J,0.25W	1	
	R16744	ERJ6ENF2003	M 200KOHM, 1/10W	1	
	R16745	ERJ6ENF4701	M 4.7KOHM, 1/10W	1	
	R16746	ERJT06J103V	M 10KOHM,F,0.25W	1	
	R16747	ERJT06J103V	M 10KOHM,F,0.25W	1	
	R16749	DOGD103JA036	M 10KOHM,J,0.25W	1	
	R16750	ERJT06J223V	M 22 KOHM,F,0.25W	1	
	R16751	ERJT06J224V	M 220KOHM,F,0.25W	1	
	R16752	ERJ6GEYJ472V	M 4.7K OHM J 1/10W	1	
	R16753	ERJ6GEYF473	M 47KOHM,J,1/10W	1	
	R16756	ERJT06J223V	M 22 KOHM,F,0.25W	1	
	R16757	ERJ6ENF2702	M 27KOHM, 1/10W	1	
	R16758	ERJ6ENF3241	M3.24KOHM, 1/10W	1	
	R16761	ERJT06J100V	M 10 OHM,F,0.25W	1	
	R16762	ERJ6GEYF473	M 47KOHM,J,1/10W	1	
	R16765	ERJT08J7R5V	M 7.5OHM,J,0.33W	1	
	R16766	ERJT06J750V	M 75 OHM,F,0.25W	1	
	R16769	ERJT06J750V	M 75 OHM,F,0.25W	1	
	R16774	ERG1SJ683	M 68KOHM, J, 1W	1	
	R16775	ERJ6GEYJ472V	M 4.7K OHM J 1/10W	1	
	R16776	DOGD101JA036	M 100 OHM,J,0.25W	1	
	R16777	ERJT06J151V	M 150 OHM,F,0.25W	1	
	R16778	ERF5TK2R2	W 2.2 OHM, K, 5W	1	
	R16781	ERJT06J470V	M 47 OHM,F,0.25W	1	
	R16782	ERJ6GEYF473	M 47KOHM,J,1/10W	1	
	R16785	ERJ6ENF8202	M 82KOHM, 1/10W	1	
	R16786	ERJ6ENF8202	M 82KOHM, 1/10W	1	
	R16787	ERJ6ENF3302	M 33KOHM, 1/10W	1	
	R16788	ERJT06J154V	M 150KOHM,F,0.25W	1	
	R16789	DOGD103JA036	M 10KOHM,J,0.25W	1	
	R16791	ERJ6GEYJ102V	M 1K OHM J 1/10W	1	
	R16794	ERJ6ENF2003	M 200KOHM, 1/10W	1	
	R16795	ERJ6ENF2003	M 200KOHM, 1/10W	1	
	R16796	ERJ6ENF5602	M 56KOHM, 1/10W	1	
	R16797	ERJ6GEYJ220	M 22 OHM,J,1/10W	1	
	R16798	DOGD103JA036	M 10KOHM,J,0.25W	1	
	R16799	ERJ6ENF3302	M 33KOHM, 1/10W	1	
	R16801	ERJ6ENF7321	M7.32KOHM, 1/10W	1	
	R16802	ERJ6ENF5901	M 5.9KOHM, 1/10W	1	
	R16804	ERJ8GEYJ563	M 56KOHM, J,1/8W	1	
	R16813	ERJ8GEYJ102V	M 1KOHM, J,1/8W	1	
	R16814	ERJ6ENF3091	M3.09KOHM, 1/10W	1	
	R16815	ERJ6ENF1001	M 1KOHM, 1/10W	1	
	R16816	DOGDR00Z0002	M 0 OHM, 1/10W	1	
	R16818	ERJT06J683	M 68KOHM,F,0.25W	1	
	R16819	ERJT06J683	M 68KOHM,F,0.25W	1	
	R16820	ERJ6ENF6042	M60.4KOHM, 1/10W	1	

Safety	Ref. No.	Part No.	Part Name & Description	Pcs	Remarks
	R16821	ERJ6ENF7872	M78.7KOHM, 1/10W	1	
	R16822	ERJ6ENF8202	M 82KOHM, 1/10W	1	
	R16823	ERJ6ENF8202	M 82KOHM, 1/10W	1	
	R16824	ERJ6ENF3302	M 33KOHM, 1/10W	1	
	R16825	ERJT06J154V	M 150KOHM,F,0.25W	1	
	R16826	DOGD103JA036	M 10KOHM,J,0.25W	1	
	R16828	ERJ6GEYJ472V	M 4.7K OHM J 1/10W	1	
	R16838	ERJ14YJ563U	M 56KOHM, 1/2W	1	
	R16841	ERJ14YJ563U	M 56KOHM, 1/2W	1	
	R16844	ERJ6ENF1241	M1.24KOHM, 1/10W	1	
	R16845	ERJ6ENF4302	M 43KOHM, 1/10W	1	
	R16846	ERJ6ENF3902	M 39KOHM, 1/10W	1	
	R16851	ERJ6GEYJ104V	M 100KOHM,J,1/10W	1	
	R16852	DOGD103JA036	M 10KOHM,J,0.25W	1	
	R16860	DOD28R2JA021	M 8.2 OHM,J,2W	1	
	R16867	ERJ6GEYF473	M 47KOHM,J,1/10W	1	
	R16869	ERJ8GEYJ473	M 47KOHM, J,1/8W	1	
	R16870	ERG2FJS333D	M 33KOHM, J, 2W	1	
	R16871	ERJ6GEYG392	M 3.9KOHM,J,1/10W	1	
	R16872	ERJ6GEYJ332V	M 3.3K OHM J 1/10W	1	
	R16873	ERJ6ENF2491	M2.49KOHM, 1/10W	1	
	R16874	ERJ6ENF7322	M73.2KOHM, 1/10W	1	
	R16875	ERJ6ENF7152	M71.5KOHM, 1/10W	1	
	R16886	ERJ6GEYJ224	M 220KOHM,J,1/10W	1	
	R16887	ERJ6GEYJ224	M 220KOHM,J,1/10W	1	
	R16888	ERJ6GEYJ224	M 220KOHM,J,1/10W	1	
	R17101	ERJT14J6R8U	C6.8 OHM, J,1/4W	1	
	R17102	ERJT14J6R8U	C6.8 OHM, J,1/4W	1	
	R17103	ERJT14J6R8U	C6.8 OHM, J,1/4W	1	
	R17104	ERJT14J6R8U	C6.8 OHM, J,1/4W	1	
	R17105	ERJT14J6R8U	C6.8 OHM, J,1/4W	1	
	R17106	ERJT14J6R8U	C6.8 OHM, J,1/4W	1	
	R17107	ERJT14J6R8U	C6.8 OHM, J,1/4W	1	
	R17108	ERJT14J6R8U	C6.8 OHM, J,1/4W	1	
	R17109	ERJT14J6R8U	C6.8 OHM, J,1/4W	1	
	R17110	ERJT14J6R8U	C6.8 OHM, J,1/4W	1	
	R17111	ERJT14J6R8U	C6.8 OHM, J,1/4W	1	
	R17112	ERJT14J6R8U	C6.8 OHM, J,1/4W	1	
	R17113	ERJT14J6R8U	C6.8 OHM, J,1/4W	1	
	R17114	ERJT14J6R8U	C6.8 OHM, J,1/4W	1	
	R17115	ERJT14J6R8U	C6.8 OHM, J,1/4W	1	
	R17116	ERJT14J6R8U	C6.8 OHM, J,1/4W	1	
	R17117	ERJT14J6R8U	C6.8 OHM, J,1/4W	1	
	R17118	ERJT14J6R8U	C6.8 OHM, J,1/4W	1	
	R17119	ERJT14J6R8U	C6.8 OHM, J,1/4W	1	
	R17120	ERJT14J6R8U	C6.8 OHM, J,1/4W	1	
	R17121	ERJT14J6R8U	C6.8 OHM, J,1/4W	1	
	R17122	ERJT14J6R8U	C6.8 OHM, J,1/4W	1	
	R17123	ERJT14J6R8U	C6.8 OHM, J,1/4W	1	
	R17124	ERJT14J6R8U	C6.8 OHM, J,1/4W	1	
	R17125	ERJT14J6R8U	C6.8 OHM, J,1/4W	1	
	R17131	EXB38V220JV	RESISTOR ARRAY	1	
	R17132	EXB38V220JV	RESISTOR ARRAY	1	
	R17133	EXB38V470J	RESISTOR ARRAY	1	
	R17134	EXB38V681J	RESISTOR ARRAY	1	
	R17135	EXB38V470J	RESISTOR ARRAY	1	
	R17136	EXB38V470J	RESISTOR ARRAY	1	
	R17137	EXB38V470J	RESISTOR ARRAY	1	
	R17138	EXB38V470J	RESISTOR ARRAY	1	
	R17139	EXB38V470J	RESISTOR ARRAY	1	
	R17140	EXB38V470J	RESISTOR ARRAY	1	
	R17141	EXB38V470J	RESISTOR ARRAY	1	
	R17142	EXB38V471J	RESISTOR ARRAY	1	
	R17143	EXB38V471J	RESISTOR ARRAY	1	
	R17144	EXB38V471J	RESISTOR ARRAY	1	
	R17145	EXB38V471J	RESISTOR ARRAY	1	
	R17146	EXB38V471J	RESISTOR ARRAY	1	

Safety	Ref. No.	Part No.	Part Name & Description	Pcs	Remarks
	R17147	EXB38V471J	RESISTOR ARRAY	1	
	R17148	EXB38V471J	RESISTOR ARRAY	1	
	R17149	EXB38V681J	RESISTOR ARRAY	1	
	R17151	DOGBR00Z0002	M 0 OHM J 1/16W	1	
	R17152	ERJ3GEYJ220	M 22 OHM,J,1/16W	1	
	R17153	ERJ3GEYJ220	M 22 OHM,J,1/16W	1	
	R17154	ERJ3GEYJ470	M 47 OHM,J,1/16W	1	
	R17155	ERJ3GEYJ470	M 47 OHM,J,1/16W	1	
	R17156	ERJ3GEYJ471	M 470 OHM,J,1/16W	1	
	R17157	ERJ3GEYJ471	M 470 OHM,J,1/16W	1	
	R17158	ERJ3GEYJ470	M 47 OHM,J,1/16W	1	
	R17159	ERJ3GEYJ470	M 47 OHM,J,1/16W	1	
	R17162	ERJ6GEYJ104V	M 100KOHM,J,1/10W	1	
	R17163	ERJ6GEYJ223	M 22KOHM,J,1/10W	1	
	R17164	ERJ6GEYJ224	M 220KOHM,J,1/10W	1	
	R17199	DOGF472JA047	M 4.7KOHM,J,0.33W	1	
	R17201	ERJT14J6R8U	C6.8 OHM, J,1/4W	1	
	R17202	ERJT14J6R8U	C6.8 OHM, J,1/4W	1	
	R17203	ERJT14J6R8U	C6.8 OHM, J,1/4W	1	
	R17204	ERJT14J6R8U	C6.8 OHM, J,1/4W	1	
	R17205	ERJT14J6R8U	C6.8 OHM, J,1/4W	1	
	R17206	ERJT14J6R8U	C6.8 OHM, J,1/4W	1	
	R17207	ERJT14J6R8U	C6.8 OHM, J,1/4W	1	
	R17208	ERJT14J6R8U	C6.8 OHM, J,1/4W	1	
	R17209	ERJT14J6R8U	C6.8 OHM, J,1/4W	1	
	R17210	ERJT14J6R8U	C6.8 OHM, J,1/4W	1	
	R17211	ERJT14J6R8U	C6.8 OHM, J,1/4W	1	
	R17212	ERJT14J6R8U	C6.8 OHM, J,1/4W	1	
	R17213	ERJT14J6R8U	C6.8 OHM, J,1/4W	1	
	R17214	ERJT14J6R8U	C6.8 OHM, J,1/4W	1	
	R17215	ERJT14J6R8U	C6.8 OHM, J,1/4W	1	
	R17216	ERJT14J6R8U	C6.8 OHM, J,1/4W	1	
	R17217	ERJT14J6R8U	C6.8 OHM, J,1/4W	1	
	R17218	ERJT14J6R8U	C6.8 OHM, J,1/4W	1	
	R17219	ERJT14J6R8U	C6.8 OHM, J,1/4W	1	
	R17220	ERJT14J6R8U	C6.8 OHM, J,1/4W	1	
	R17221	ERJT14J6R8U	C6.8 OHM, J,1/4W	1	
	R17222	ERJT14J6R8U	C6.8 OHM, J,1/4W	1	
	R17223	ERJT14J6R8U	C6.8 OHM, J,1/4W	1	
	R17224	ERJT14J6R8U	C6.8 OHM, J,1/4W	1	
	R17225	ERJT14J6R8U	C6.8 OHM, J,1/4W	1	
	R17231	EXB38V220JV	RESISTOR ARRAY	1	
	R17232	EXB38V470J	RESISTOR ARRAY	1	
	R17233	EXB38V470J	RESISTOR ARRAY	1	
	R17234	EXB38V220JV	RESISTOR ARRAY	1	
	R17235	EXB38V470J	RESISTOR ARRAY	1	
	R17236	EXB38V470J	RESISTOR ARRAY	1	
	R17237	EXB38V470J	RESISTOR ARRAY	1	
	R17238	EXB38V470J	RESISTOR ARRAY	1	
	R17239	EXB38V680J	RESISTOR ARRAY	1	
	R17240	EXB38V680J	RESISTOR ARRAY	1	
	R17241	EXB38V680J	RESISTOR ARRAY	1	
	R17242	EXB38V680J	RESISTOR ARRAY	1	
	R17243	EXB38V680J	RESISTOR ARRAY	1	
	R17244	EXB38V680J	RESISTOR ARRAY	1	
	R17245	EXB38V681J	RESISTOR ARRAY	1	
	R17246	EXB38V681J	RESISTOR ARRAY	1	
	R17247	EXB38V681J	RESISTOR ARRAY	1	
	R17248	EXB38V681J	RESISTOR ARRAY	1	
	R17249	EXB38V681J	RESISTOR ARRAY	1	
	R17250	EXB38V681J	RESISTOR ARRAY	1	
	R17251	EXB38V681J	RESISTOR ARRAY	1	
	R17252	EXB38V681J	RESISTOR ARRAY	1	
	R17255	EXB38V471J	RESISTOR ARRAY	1	
	R17256	EXB38V471J	RESISTOR ARRAY	1	
	R17257	EXB38V471J	RESISTOR ARRAY	1	
	R17258	EXB38V471J	RESISTOR ARRAY	1	
	R17261	EXB38V471J	RESISTOR ARRAY	1	
	R17262	EXB38V471J	RESISTOR ARRAY	1	

Safety	Ref. No.	Part No.	Part Name & Description	Pcs	Remarks
	R17263	EXB38V471J	RESISTOR ARRAY	1	
	R17264	EXB38V471J	RESISTOR ARRAY	1	
	R17265	EXB38V471J	RESISTOR ARRAY	1	
	R17266	EXB38V471J	RESISTOR ARRAY	1	
	R17267	EXB38V681J	RESISTOR ARRAY	1	
	R17268	EXB38V681J	RESISTOR ARRAY	1	
	R17269	EXB38V681J	RESISTOR ARRAY	1	
	R17280	DOGBR00Z0002	M 0 OHM J 1/16W	1	
	R17281	ERJ3GEYJ220	M 22 OHM,J,1/16W	1	
	R17282	ERJ3GEYJ220	M 22 OHM,J,1/16W	1	
	R17283	ERJ3GEYJ470	M 47 OHM,J,1/16W	1	
	R17284	ERJ3GEYJ470	M 47 OHM,J,1/16W	1	
	R17285	ERJ3GEYJ470	M 47 OHM,J,1/16W	1	
	R17286	ERJ3GEYJ470	M 47 OHM,J,1/16W	1	
	R17287	ERJ3GEYJ681	M 680 OHM,J,1/16W	1	
	R17288	ERJ3GEYJ681	M 680 OHM,J,1/16W	1	
	R17289	ERJ3GEYJ681	M 680 OHM,J,1/16W	1	
	R17290	ERJ3GEYJ681	M 680 OHM,J,1/16W	1	
	R17291	DOGBR00Z0002	M 0 OHM, 1/10W	1	
	R17292	ERJ6GEYJ224	M 220KOHM,J,1/10W	1	
	R17301	ERJT14J6R8U	C6.8 OHM, J,1/4W	1	
	R17302	ERJT14J6R8U	C6.8 OHM, J,1/4W	1	
	R17303	ERJT14J6R8U	C6.8 OHM, J,1/4W	1	
	R17304	ERJT14J6R8U	C6.8 OHM, J,1/4W	1	
	R17305	ERJT14J6R8U	C6.8 OHM, J,1/4W	1	
	R17306	ERJT14J6R8U	C6.8 OHM, J,1/4W	1	
	R17307	ERJT14J6R8U	C6.8 OHM, J,1/4W	1	
	R17308	ERJT14J6R8U	C6.8 OHM, J,1/4W	1	
	R17309	ERJT14J6R8U	C6.8 OHM, J,1/4W	1	
	R17310	ERJT14J6R8U	C6.8 OHM, J,1/4W	1	
	R17311	ERJT14J6R8U	C6.8 OHM, J,1/4W	1	
	R17312	ERJT14J6R8U	C6.8 OHM, J,1/4W	1	
	R17313	ERJT14J6R8U	C6.8 OHM, J,1/4W	1	
	R17314	ERJT14J6R8U	C6.8 OHM, J,1/4W	1	
	R17315	ERJT14J6R8U	C6.8 OHM, J,1/4W	1	
	R17316	ERJT14J6R8U	C6.8 OHM, J,1/4W	1	
	R17317	ERJT14J6R8U	C6.8 OHM, J,1/4W	1	
	R17318	ERJT14J6R8U	C6.8 OHM, J,1/4W	1	
	R17319	ERJT14J6R8U	C6.8 OHM, J,1/4W	1	
	R17320	ERJT14J6R8U	C6.8 OHM, J,1/4W	1	
	R17321	ERJT14J6R8U	C6.8 OHM, J,1/4W	1	
	R17322	ERJT14J6R8U	C6.8 OHM, J,1/4W	1	
	R17323	ERJT14J6R8U	C6.8 OHM, J,1/4W	1	
	R17324	ERJT14J6R8U	C6.8 OHM, J,1/4W	1	
	R17325	ERJT14J6R8U	C6.8 OHM, J,1/4W	1	
	R17328	DOGBR00Z0002	M 0 OHM J 1/16W	1	
	R17329	DOGBR00Z0002	M 0 OHM J 1/16W	1	
	R17330	ERJ3GEYJ470	M 47 OHM,J,1/16W	1	
	R17331	EXB38V220JV	RESISTOR ARRAY	1	
	R17332	EXB38V220JV	RESISTOR ARRAY	1	
	R17333	EXB38V470J	RESISTOR ARRAY	1	
	R17334	EXB38V470J	RESISTOR ARRAY	1	
	R17335	EXB38V470J	RESISTOR ARRAY	1	
	R17336	EXB38V470J	RESISTOR ARRAY	1	
	R17337	EXB38V470J	RESISTOR ARRAY	1	
	R17338	EXB38V470J	RESISTOR ARRAY	1	
	R17339	EXB38V470J	RESISTOR ARRAY	1	
	R17340	EXB38V470J	RESISTOR ARRAY	1	
	R17341	EXB38V471J	RESISTOR ARRAY	1	
	R17342	EXB38V471J	RESISTOR ARRAY	1	
	R17343	EXB38V471J	RESISTOR ARRAY	1	
	R17344	EXB38V471J	RESISTOR ARRAY	1	
	R17345	EXB38V471J	RESISTOR ARRAY	1	
	R17346	EXB38V471J	RESISTOR ARRAY	1	
	R17347	EXB38V471J	RESISTOR ARRAY	1	
	R17350	EXB38V681J	RESISTOR ARRAY	1	
	R17355	ERJ3GEYJ220	M 22 OHM,J,1/16W	1	
	R17356	ERJ3GEYJ220	M 22 OHM,J,1/16W	1	
	R17357	ERJ3GEYJ470	M 47 OHM,J,1/16W	1	

Safety	Ref. No.	Part No.	Part Name & Description	Pcs	Remarks
	R17358	ERJ3GEYJ470	M 47 OHM,J,1/16W	1	
	R17359	ERJ3GEYJ471	M 470 OHM,J,1/16W	1	
	R17360	ERJ3GEYJ471	M 470 OHM,J,1/16W	1	
	R17361	ERJ3GEYJ681	M 680 OHM,J,1/16W	1	
	R17362	ERJ3GEYJ681	M 680 OHM,J,1/16W	1	
	R17363	ERJ3GEYJ681	M 680 OHM,J,1/16W	1	
	R17364	ERJ3GEYJ681	M 680 OHM,J,1/16W	1	
	R17365	DOGDR00Z0002	M 0 OHM, 1/10W	1	
	R17366	ERJ6GEYJ104V	M 100KOHM,J,1/10W	1	
	R17367	ERJ6GEYJ223	M 22KOHM,J,1/10W	1	
	R17368	ERJ6GEYJ224	M 220KOHM,J,1/10W	1	
	R17399	D0GF472JA047	M 4.7KOHM,J,0.33W	1	
	R2582A	J0JCC0000241	CHIP INDUCTOR	1	
	R2583A	J0JCC0000241	CHIP INDUCTOR	1	
	RM2501	B3RAD0000160	REMOTE SENSOR	1	
	S1	K1KA03AA0193	3P CONNECTOR	1	
	SC2	K1KA02A00676	2P CONNECTOR	1	
	SC20	K1MN35BA0266	35P CONNECTOR	1	
	SC41	K1KA23AA0733	23P CONNECTOR	1	
	SC42	K1KA23AA0733	23P CONNECTOR	1	
	SC46	K1KA09A00239	9P CONNECTOR	1	
	SD11	K1MN20BA0231	20P CONNECTOR	1	
	SD42	K1KB23AA0234	23P CONNECTOR	1	
	SD46	K1KY09AA0607	9P CONNECTOR	1	
	SD1B	K1MNA8BA0250	8P CONNECTOR	1	
	SD2B	K1MNA8BA0250	8P CONNECTOR	1	
	SD5B	K1MNA8BA0250	8P CONNECTOR	1	
	SD4B	K1MNA8BA0250	8P CONNECTOR	1	
	SD3B	K1MNA8BA0250	8P CONNECTOR	1	
	SS02	K1KB15AA0032	15P CONNECTOR	1	
	SS03	K1KB15AA0032	15P CONNECTOR	1	
	SS11	K1KA02A00676	2P CONNECTOR	1	
	SS12	K1KA10AA0194	10P CONNECTOR	1	
	SS21	K1KY15AA0606	15P CONNECTOR	1	
	SS22	K1KY15AA0606	15P CONNECTOR	1	
	SS33	K1KA10A00416	10P CONNECTOR	1	
	SS34	K1KA03AA0193	3P CONNECTOR	1	
	SS35	K1KA04AA0193	4P CONNECTOR	1	
	SS52	K1MN13B00091	13P CONNECTOR	1	
	SS54	K1MN13B00091	13P CONNECTOR	1	
	SS55	K1MN13B00091	13P CONNECTOR	1	
	SS57	K1MN13B00091	13P CONNECTOR	1	
	SSMM2	TMME190	CLAMPER	1	
	SSMM4	TMME260	CLAMPER	1	
	SSMM5	TMME260	CLAMPER	1	
	SU11	K1MN20BA0266	20P CONNECTOR	1	
	SU41	K1KB23AA0234	23P CONNECTOR	1	
	SU1B	K1MNA8BA0250	8P CONNECTOR	1	
	SU2B	K1MNA8BA0250	8P CONNECTOR	1	
	SU4B	K1MNA8BA0250	8P CONNECTOR	1	
	SU5B	K1MNA8BA0250	8P CONNECTOR	1	
	SU3B	K1MNA8BA0250	8P CONNECTOR	1	
	SW2500	K0F162B00002	SWITCH	1	
	SW3753	EVQPC105K	SWITCH	1	
	SW3754	EVQPC105K	SWITCH	1	
	SW3755	EVQPC105K	SWITCH	1	
	SW3756	EVQPC105K	SWITCH	1	
	SW3757	EVQPC105K	SWITCH	1	

Safety	Ref. No.	Part No.	Part Name & Description	Pcs	Remarks
	T16301	ETS19AB249AC	SWITCHING TRANS	1	
	T16697	ETS19AB249AC	SWITCHING TRANS	1	
	△ TU8301	ENG37E09KF	TUNER	1	A
	△ TU8301A	ENG39E04GF	TUNER	1	M/MR/MS
	VR16000	EVMEASA00B54	CONTROL 50KOHMB 0.3W	1	
	VR16600	EVMEASA00B54	CONTROL 50KOHMB 0.3W	1	
	VR16602	EVMEASA00B23	CONTROL 2KOHMB 0.3W	1	
	X1100	H0J100500035	CRYSTAL	1	
	X2010	H0J245500089	CRYSTAL	1	
	X2601	H0J202500019	CRYSTAL	1	
	X5200	H0J270500113	CRYSTAL	1	
	X7700	H0J240500037	CRYSTAL	1	
	X8101	H0J270500061	CRYSTAL	1	
	X8301	H0J204500006	CRYSTAL	1	A
	X8620	H0J300500026	CRYSTAL	1	
	X9000	H2D100500004	CRYSTAL	1	
	X9200	H0J200500076	CRYSTAL	1	
	ZA0001	K4AZ01D00004	TERMINAL	1	
	ZA0002	K4AZ01D00004	TERMINAL	1	
	ZA0003	K4AZ01D00004	TERMINAL	1	
	ZA0004	K4AZ01D00004	TERMINAL	1	
	ZA0005	K4AZ01D00004	TERMINAL	1	
	ZA0006	K4AZ01D00004	TERMINAL	1	
	ZA0007	K4AZ01D00004	TERMINAL	1	
	ZA0008	K4AZ01D00004	TERMINAL	1	
	ZA0010	TESA169	SHIELD CLIP	1	
	ZA0011	TESA169	SHIELD CLIP	1	
	ZA851	K4CZ01000027	AV TERMINAL	1	
	ZA852	K4CZ01000027	AV TERMINAL	1	
	ZA3701	K4CZ01000027	AV TERMINAL	1	
	ZA3702	K4CZ01000027	AV TERMINAL	1	
	ZA3801	K4AD01D00005	TERMINAL	1	
	ZA3802	K4AD01D00005	TERMINAL	1	
	ZA9000	K4CD01000011	AV TERMINAL	1	
	ZA9001	K4AZ01D00004	TERMINAL	1	
	ZA9002	K4AZ01D00004	TERMINAL	1	
	ZA14901	K4AD01Z00004	TERMINAL	1	
	ZA14902	K4AD01Z00004	TERMINAL	1	
	ZA14903	K4AD01Z00004	TERMINAL	1	
	ZA14951	K4AD01Z00004	TERMINAL	1	
	ZA14952	K4AD01Z00004	TERMINAL	1	
	ZA14953	K4AD01Z00004	TERMINAL	1	
	ZA16001	K4CD01000011	AV TERMINAL	1	
	ZA16002	K4CD01000011	AV TERMINAL	1	
	ZA16003	K4CD01000011	AV TERMINAL	1	
	ZA16010	K4ZZ01000206	TERMINAL	1	
	ZA16011	K4ZZ01000206	TERMINAL	1	
	ZA16401	K4CD01000011	AV TERMINAL	1	
	ZA16402	K4CD01000011	AV TERMINAL	1	
	ZA16403	K4CD01000011	AV TERMINAL	1	
	ZA17101	K4CD01000013	AV TERMINAL	1	
	ZA17102	K4CD01000013	AV TERMINAL	1	
	ZA17103	K4CD01000013	AV TERMINAL	1	
	ZA17104	K4CD01000013	AV TERMINAL	1	
	ZA17105	K4CD01000013	AV TERMINAL	1	
	ZA17201	K4CD01000013	AV TERMINAL	1	
	ZA17202	K4CD01000013	AV TERMINAL	1	
	ZA17203	K4CD01000013	AV TERMINAL	1	
	ZA17204	K4CD01000013	AV TERMINAL	1	
	ZA17301	K4CD01000013	AV TERMINAL	1	
	ZA17302	K4CD01000013	AV TERMINAL	1	
	ZA17303	K4CD01000013	AV TERMINAL	1	
	ZA17304	K4CD01000013	AV TERMINAL	1	
	ZA17305	K4CD01000013	AV TERMINAL	1	

Safety	Ref. No.	Part No.	Part Name & Description	Pcs	Remarks
△	A601	AYRA362MSV7T	ARRESTOR	1	
△	A602	AYRA362MSV7T	ARRESTOR	1	
	C201	ACKZELH220T	50V 22PF	1	
	C202	ACCC3FD470JP	3kV 47PF	1	
	C203	ACCC3FD470JP	3kV 47PF	1	
△	C204	ACMPEF12393H	1250V 0.039PF	1	
△	C205	ACMPEF12393H	1250V 0.039PF	1	
	C207	ACDE1SL471JP	1kV 470PF	1	
	C208	ACDE1SL471JP	1kV 470PF	1	
	C209	ECQV1H224JL	P 0.22UF, J, 50V	1	
	C210	ECQV1H224JL	P 0.22UF, J, 50V	1	
	C231	ACKZELH220T	50V 22PF	1	
	C232	ACKZELH220T	50V 22PF	1	
	C251	ECQV1H104JL	P 0.1UF, J, 50V	1	
	C252	ECQV1H224JL	P 0.22UF, J, 50V	1	
	C254	ECQE2223SKF	250V 0.022PF	1	
	C255	ECQE2223SKF	250V 0.022PF	1	
	C256	ACKMQ220901Z	220V 900PF	1	
	C257	ACKMQ220901Z	220V 900PF	1	
	C258	ACKMQ220901Z	220V 900PF	1	
	C259	ACKMQ220901Z	220V 900PF	1	
	C301	ACKZELH220T	50V 22PF	1	
	C302	ACRR3DD101K7	2kV 100PF	1	
	C303	ACRR3DD101K7	2kV 100PF	1	
△	C304	ACMPEF12473H	1250V 0.047PF	1	
	C305	ACCK1B681KP	1kV 680p	1	
	C306	ACCK1B681KP	1kV 680p	1	
	C352	ACKZEL1E182ST	25V 1800PF	1	
	C354	ECQV1H224JL	P 0.22UF, J, 50V	1	
	C355	ECQV1H823JL	50V 0.082PF	1	
	C357	ACKZEL1E471LT	25V 470PF	1	
	C358	ACKZEL1E471LT	25V 470PF	1	
	C401	ECQE2104SKF	250V 0.1PF	1	
	C402	ECQE2104SKF	250V 0.1PF	1	
	C403	EETHC2C471LHX	160V 470PF	1	
	C404	ACKZEL1H101T	50V 100PF	1	
	C406	EETHC2A122JJ	100V 1200PF	1	
	C409	ECQE2104SKF	250V 0.1PF	1	
	C451	ACKZELA471C	10V 470PF	1	
	C500	ACKZELH221T	50V 220PF	1	
△	C501	ECQU2A103MLA	P 0.01UF, M, 250V	1	
	C503	ACKMQ2W560T	450V 56PF	1	
	C504	ACKZELH220T	50V 22PF	1	
	C505	ECQV1H224JL	P 0.22UF, J, 50V	1	
	C506	ACKZELH100T	50V 10PF	1	
	C507	ACKZELH221T	50V 220PF	1	
	C508	ACKZELH220T	50V 22PF	1	
	C551	ACKZELA102LC	10V 1000PF	1	
	C555	ACKZEL1E470T	25V 47PF	1	
	C558	ECQV1H224JL	P 0.22UF, J, 50V	1	
	C559	ECQV1H474JL	P 0.47UF, J, 50V	1	
△	C602	ECQU2A104MLA	P 0.1UF, M, 250V	1	
△	C603	ECKENA221KBR	C 221P 250V	1	
△	C604	ECKENA221KBR	C 221P 250V	1	
	C605	ACDE1R102K7	1kV 680p	1	
△	C606	AC4MPH105KA3	450V 1PF	1	
	C610	ECQV1H105JL	50V 1PF	1	
	C611	ACKZELH220T	50V 22PF	1	
	C612	EETHD2W301LZ	450V 300PF	1	
	C613	EETHD2W301LZ	450V 300PF	1	
△	C615	ECKENA101KBR	C 100P 250V	1	
△	C620	ECKENA101KBR	C 100P 250V	1	
△	C621	ECKENA101KBR	C 100P 250V	1	
	C625	ACRR3AD222KP	1kV 2200PF	1	
△	C629	AC4MPH105KA3	450V 1PF	1	
	C701	ACKZELA471C	10V 470PF	1	
	C702	ECQV1H103JL2	50V 0.01PF	1	
△	C801	ECQU2A104MLA	P 0.1UF, M, 250V	1	
△	C802	ECKENA101KBR	C 100P 250V	1	
△	C803	ECKENA101KBR	C 100P 250V	1	

Safety	Ref. No.	Part No.	Part Name & Description	Pcs	Remarks
	C807	ACDE1R102K7	1kV 680p	1	
△	C808	AC4MPH105KA3	450V 1PF	1	
	C809	ACRR3AD222KP	1kV 2200PF	1	
	C810	ECQV1H105JL	50V 1PF	1	
	C811	ACKZELH220T	50V 22PF	1	
	C812	EETHD2W301LZ	450V 300PF	1	
△	C814	ECKENA101KBR	C 100P 250V	1	
△	C815	ECKENA221KBR	C 221P 250V	1	
△	C816	ECKENA221KBR	C 221P 250V	1	
△	C818	AC4MPH105KA3	450V 1PF	1	
	D201	VDAG01AT	DIODE	1	
	D202	VDAG01AT	DIODE	1	
	D251	MA165TAKU	DIODE	1	
	D254	MA2DF3100S	DIODE	1	
	D255	MA2DF3100S	DIODE	1	
	D256	MA2DF3100S	DIODE	1	
	D257	MA2DF3100S	DIODE	1	
	D351	VDG865C08R	DIODE	1	
	D352	VDAG01AT	DIODE	1	
	D353	VDG865C08R	DIODE	1	
	D401	VDD6SBN20	DIODE	1	
	D402	VDAG01AT	DIODE	1	
	D403	VDYG901C3R	DIODE	1	
	D500	VDAG01AT	DIODE	1	
	D501	VDS1WBA80	DIODE	1	
	D504	VXST3D82BL3	DIODE	1	
	D505	VDAG01AT	DIODE	1	
	D506	VDAG01AT	DIODE	1	
	D551	VDRK39A5	DIODE	1	
	D603	VDAP01CT	DIODE	1	
	D604	VDAP01CT	DIODE	1	
	D606	VDS3V60L1	DIODE	1	
	D651	MA165TAKU	DIODE	1	
	D652	MA165TAKU	DIODE	1	
	D702	VDERA83-004T	DIODE	1	
	D703	MA165TAKU	DIODE	1	
	D801	MA165TAKU	DIODE	1	
	D802	MA165TAKU	DIODE	1	
	D803	VDAP01CT	DIODE	1	
	D804	VDAP01CT	DIODE	1	
	D805	VDS3V60L1	DIODE	1	
△	F201	HU216005BEP	250V 5A	1	
△	F301	HU216005BEP	250V 5A	1	
△	F601	HU215010BEP	250V 10A	1	
△	F602	HU215010BEP	250V 10A	1	
△	F801	HU215010BEP	250V 10A	1	
△	F802	HU215010BEP	250V 10A	1	
△	F803	HU382T2P	250V 2A	1	
	IC251	AN1431TBTA	IC	1	
	IC352	AN1431TBTA	IC	1	
	IC401	AN1431TBTA	IC	1	
	IC501	MIP3E30MPSCF	IC	1	
	IC555	AN1431TBTA	IC	1	
△	K601	ALKT329C93	RELAY	1	
△	K602	ALDJ5D2T8	RELAY	1	
△	K801	ALKT329C93	RELAY	1	
△	K802	ALDJ5D2T8	250V 8A DC5V	1	
	L401	AYLH8TB681K	FILTER CHOKE	1	
	L402	AYH221012HY	FILTER CHOKE	1	
	L500	EXCELDLDR35V	CORE	1	
	L501	EXCELSA35	BEAD CHOKE	1	
	L502	EXCELDLDR35V	CORE	1	
	L503	EXCELDLDR35V	CORE	1	
△	L601	AYP3165208ZA	FILTER CHOKE	1	
△	L602	AYP3165208ZA	FILTER CHOKE	1	
	L603	ETB50CZ14GAD	TRANSFORMER	1	

Safety	Ref. No.	Part No.	Part Name & Description	Pcs	Remarks
△	L604	AYP3165208ZA	FILTER CHOKE	1	
	L801	EXCELSA35	BEAD CHOKE	1	
△	L802	AYP2590204Z	FILTER CHOKE	1	
△	L803	AYP2590204Z	FILTER CHOKE	1	
	L805	ETB32CZ13GAD	TRANSFORMER	1	
△	MC201	MDPPND471	MODULE	1	
△	MC203	MP00R3A1	MODULE	1	
△	MC204	MP00R3A1	MODULE	1	
△	MC231	MDPHHA101	MODULE	1	
△	MC301	MDPPND472	MODULE	1	
△	MC352	MDPJFB471	MODULE	1	
△	MC401	MDPPSA471	MODULE	1	
△	MC451	MDPLSC471	MODULE	1	
△	MC501	MDPTZA101	MODULE	1	
△	MC502	MDPHHA101	MODULE	1	
△	MC552	MDPPFC101	MODULE	1	
△	MC601	MDPLPB101	MODULE	1	
△	MC602	MP00P18	MODULE	1	
△	MC603	MP00P28	MODULE	1	
△	MC606	MP00P29	MODULE	1	
△	MC701	MDPZDA471	MODULE	1	
△	MC801	MP00P15A1	MODULE	1	
△	MC802	MDPLPB472	MODULE	1	
	P2	AKB2P3-VH-B	2P CONNECTOR	1	
	P6	AKB12B-EH-A	12P CONNECTOR	1	
	P7	AKB11B-EH-A	11P CONNECTOR	1	
	P9	AKB03P-VL	3P CONNECTOR	1	
	P11	AKB2P3-VH-B	2P CONNECTOR	1	
	P12	AKB10B-PH-KS	10P CONNECTOR	1	
	P25	AKB13B-PH-KS	13P CONNECTOR	1	
	P51	AKB3P4VH-B-L	3P CONNECTOR	1	
	P52	AKB3P4VH-B-L	3P CONNECTOR	1	
	P53	AKB2P-VH	2P CONNECTOR	1	
	P54	AKB2P-VH	2P CONNECTOR	1	
	P55	AKB8B-PH-KS	8P CONNECTOR	1	
	P56	AKB8B-PH-KS	8P CONNECTOR	1	
△	PC201	VPS2581AL1VH	OPTOISOLATOR	1	
△	PC202	VPS2581AL1VH	OPTOISOLATOR	1	
△	PC231	VPS2581AL1VH	OPTOISOLATOR	1	
△	PC301	VPS2581AL1VH	OPTOISOLATOR	1	
△	PC302	VPS2581AL1VH	OPTOISOLATOR	1	
△	PC401	VPS2581AL1VH	OPTOISOLATOR	1	
△	PC501	VPS2581AL1VH	OPTOISOLATOR	1	
△	PC502	VPS2581AL1VH	OPTOISOLATOR	1	
	Q201	2SD21770SA	TRANSISTOR	1	
	Q202	2SB14340SA	TRANSISTOR	1	
	Q203	2SD21770SA	TRANSISTOR	1	
	Q204	2SB14340SA	TRANSISTOR	1	
	Q301	VKFMAL6N55G	FET	1	
	Q302	VKFMAL6N55G	FET	1	
	Q351	2SK3704	FET	1	
	Q401	2SK3607	FET	1	
	Q402	2SA17670Q2	TRANSISTOR	1	
	Q403	2SA17670Q2	TRANSISTOR	1	
	Q651	2SB1030AR	TRANSISTOR	1	
	Q652	2SB1030AR	TRANSISTOR	1	
	R201	ERG12SJ820J	0.5W 82	1	
	R202	ERQ14AJ4R7J	F 4.7 OHM, J,1/4W	1	
	R203	ERDS2FJ334	0.25W 330k	1	
	R204	ERDS2FJ334	0.25W 330k	1	
	R205	ERDS2FJ334	0.25W 330k	1	
	R206	ERDS2FJ334	0.25W 330k	1	
	R207	ERG12SJ820J	0.5W 82	1	
	R208	ER0S2CKF1500	M 150 OHM, F,1/4W	1	

Safety	Ref. No.	Part No.	Part Name & Description	Pcs	Remarks
	R209	ERDS2FJ154	0.25W 150k	1	
	R210	ERDS2FJ154	0.25W 150k	1	
	R211	ERX12SJ3R3J	0.5W 3.3	1	
	R212	ERX12SJ3R3J	0.5W 3.3	1	
	R215	ERG12SJ220J	0.5W 22	1	
	R216	ERG12SJ220J	0.5W 22	1	
	R218	ERG12SJ220J	0.5W 22	1	
	R219	ERG12SJ220J	0.5W 22	1	
	R220	ER0S2CKF1690	0.25W 169	1	
	R251	ARRCR1F1153T	0.25W 115k	1	
	R252	ARRCR1F1133T	0.25W 113k	1	
	R253	ERDS2FJ151	0.25W 150	1	
	R254	ERDS2FJ102	M 1KOHM, J,1/10W	1	
	R256	ER0S2THD1002	0.25W 10k	1	
	R257	ERDS2FJ472	0.25W 4.7k	1	
	R258	ERDS2FJ472	0.25W 4.7k	1	
	R259	ERDS2FJ472	0.25W 4.7k	1	
	R263	ERDS2FJ220	C 22 OHM, J,1/4W	1	
	R264	ERDS2FJ102	M 1KOHM, J,1/10W	1	
	R265	ARRCR1F2103T	0.25W 210k	1	
	R266	ARRCR1F3323T	0.25W 332k	1	
	R267	ARRCR1F3243T	0.25W 324k	1	
	R302	ERQ14AJ4R7J	F 4.7 OHM, J,1/4W	1	
	R303	ERDS2FJ334	0.25W 330k	1	
	R304	ERDS2FJ334	0.25W 330k	1	
	R308	ERG12SJ910J	0.5W 91	1	
	R309	ERG12SJ680J	0.5W 68	1	
	R310	ERG12SJ220J	0.5W 22	1	
	R311	ERG12SJ910J	0.5W 91	1	
	R351	ER0S2CHF8871	0.25W 8.87k	1	
	R352	ARRF5EJ30MB	5W 0.03	1	
	R353	ERDS2FJ561	C 560 OHM, J,1/4W	1	
	R354	ERDS2FJ221	C 220 OHM, J,1/4W	1	
	R355	ERDS2FJ222	C 2.2KOHM, J,1/4W	1	
	R356	ER0S2THD1002	0.25W 10k	1	
	R359	ER0S2THD5232	0.25W 52.3k	1	
	R362	ERG12SJ332J	0.5W 3.3k	1	
	R366	ER0S2THF6981	0.25W 6.98k	1	
	R367	ER0S2CHF8451	0.25W 8.45k	1	
	R371	ER0S2THF6981	0.25W 6.98k	1	
	R372	ER0S2THF1151	0.25W 1.15k	1	
	R403	ERG12SJ100J	0.5W 10	1	
	R404	ER0S2THF5492	0.25W 54.9k	1	
	R405	ARRF2EJR10B	2W 0.1	1	
	R409	ERDS2FJ473	C 47KOHM, J,1/4W	1	
	R411	ER0S2CKF2001	M 2KOHM, F,1/4W	1	
	R412	ER0S2CKF2001	M 2KOHM, F,1/4W	1	
	R413	ER0S2CHF3322	0.25W 33.2k	1	
	R417	ER0S2THF4222	0.25W 42.2k	1	
	R418	ER0S2THF4422	0.25W 44.2k	1	
	R420	ER0S2THF5620	0.25W 562	1	
	R421	ER0S2THF4422	0.25W 44.2k	1	
	R422	ER0S2CHF1272	0.25W 12.7k	1	
	R423	ER0S2THF1333	0.25W 133k	1	
	R456	ER0S2CKF1332	M13.3KOHM, F,1/4W	1	
△	R502	ARRCR6J825M	1W 8.2M	1	
	R505	ERDS2FJ201	0.25W 200	1	
	R506	ARRCR2F1304T	0.25W 1.3M	1	
	R507	ARRCR2F1184T	0.25W 1.18M	1	
	R509	ARRCR2F1304T	0.25W 1.3M	1	
	R510	ARRCR2F1184T	0.25W 1.18M	1	
	R522	ERDS2FJ180	0.25W 18	1	
	R555	ER0S2CKF1052	M10.5KOHM, F,1/4W	1	
	R557	ERDS2TJ392	C 3.9KOHM, J,1/4W	1	
	R560	ERDS2FJ222	C 2.2KOHM, J,1/4W	1	
	R561	ER0S2CHF2152	0.25W 21.5k	1	
	R562	ERDS2FJ150	0.25W 15	1	



Safety	Ref. No.	Part No.	Part Name & Description	Pcs	Remarks
	R563	ERDS2FJ121	0.25W 120	1	
	R564	EROS2THD1002	0.25W 10k	1	
	R603	ARRCR2F4753T	0.25W 475k	1	
	R604	ARRCR2F4023T	0.25W 402k	1	
	R607	ARRCR2F7503T	0.25W 750k	1	
	R608	ARRCR2F7503T	0.25W 750k	1	
	R611	EROS2THF5112	0.25W 51.1k	1	
	R617	ARRF5EJR15B	5W 0.15	1	
	R618	ARRF5EJR15B	5W 0.15	1	
	R619	ARRF5EJR10B	5W 0.1	1	
	R622	ERDS2FJ472	0.25W 4.7k	1	
	R623	ERGL2SJ270J	0.5W 27	1	
	R624	ERDS2FJ472	0.25W 4.7k	1	
	R625	ERGL2SJ270J	0.5W 27	1	
	R626	ERDS2FJ472	0.25W 4.7k	1	
	R627	ERGL2SJ270J	0.5W 27	1	
	R630	ARRCR1F2493T	0.25W 249k	1	
	R631	ARRCR1F2493T	0.25W 249k	1	
	R632	ARRCR1F2213T	0.25W 221k	1	
	R651	ERDS2FJ103	0.25W 10k	1	
	R652	ERDS2FJ103	0.25W 10k	1	
	R653	ERDS2FJ222	C 2.2KOHM, J,1/ 4W	1	
	R654	ERDS2FJ222	C 2.2KOHM, J,1/ 4W	1	
	R655	ERDS2FJ221	C 220 OHM, J,1/ 4W	1	
	R656	ERDS2FJ221	C 220 OHM, J,1/ 4W	1	
	R657	ERDS2FJ222	C 2.2KOHM, J,1/ 4W	1	
	R658	ERDS2FJ681	0.25W 680	1	
	R701	ERDS2FJ221	C 220 OHM, J,1/ 4W	1	
	R702	ERDS2FJ222	C 2.2KOHM, J,1/ 4W	1	
	R705	ERDS2FJ393	0.25W 39k	1	
	R706	ERDS2FJ221	C 220 OHM, J,1/ 4W	1	
	R707	ERDS2FJ222	C 2.2KOHM, J,1/ 4W	1	
	R712	ERDS2FJ221	C 220 OHM, J,1/ 4W	1	
	R713	ERDS2FJ222	C 2.2KOHM, J,1/ 4W	1	
⚠	R801	ARRCR5J624M	0.5W 620k	1	
⚠	R802	ARR5B100JC2	5W 10 OHM	1	
	R803	ARRCR2F7503T	0.25W 750k	1	
	R804	ARRCR2F7503T	0.25W 750k	1	
	R805	ARRCR2F7503T	0.25W 750k	1	
	R806	ARRCR2F7503T	0.25W 750k	1	
	R807	EROS2THF3482	0.25W 34.8k	1	
	R809	ARRF5EJR10B	5W 0.1	1	
	R810	ARRF5EJR10B	5W 0.1	1	
	R811	ERDS2FJ472	0.25W 4.7k	1	
	R812	ERGL2SJ270J	0.5W 27	1	
	R813	ERDS2FJ472	0.25W 4.7k	1	
	R814	ERGL2SJ270J	0.5W 27	1	
	R815	ARRCR1F2493T	0.25W 249k	1	
	R816	ARRCR1F2493T	0.25W 249k	1	
	R817	ARRCR1F2213T	0.25W 221k	1	
⚠	RF601	HUY5JA200JP	145C 20	1	
⚠	RF801	HUY5JA200JP	145C 20	1	
⚠	T201	ETB58LZ13GAD	TRANSFORMER	1	
⚠	T301	ETB50LZ1DGAD	TRANSFORMER	1	
⚠	T501	ETB25BG128AH	TRANSFORMER	1	
	VR251	EVMEASA01B55	VARIABLE RESIS- TOR	1	
	VR401	EVMEASA01B14	VARIABLE RESIS- TOR	1	
	Z501	ERZVGAD471	VARISTOR	1	

Safety	Ref. No.	Part No.	Part Name & Description	Pcs	Remarks
	Z502	ERZVGAD471	VARISTOR	1	
⚠	Z601	ERZVGED751	VARISTOR	1	
⚠	Z602	ERZVGED751	VARISTOR	1	
⚠	Z603	ERZVGAD471	VARISTOR	1	
⚠	Z801	ERZVGED751	VARISTOR	1	
⚠	Z802	ERZVGED751	VARISTOR	1	
	ZD201	MA4270NMTA	ZENER DIODE	1	
	ZD203	MA4270NMTA	ZENER DIODE	1	
	ZD204	MA4270NMTA	ZENER DIODE	1	
	ZD206	MA4270NMTA	ZENER DIODE	1	
	ZD207	MA4270NMTA	ZENER DIODE	1	
	ZD251	MA4330NMTA	ZENER DIODE	1	
	ZD301	MA4270NMTA	ZENER DIODE	1	
	ZD302	MA4270NMTA	ZENER DIODE	1	
	ZD305	MA4270NMTA	ZENER DIODE	1	
	ZD351	MA4330NMTA	ZENER DIODE	1	
	ZD401	MA4360NM	ZENER DIODE	1	
	ZD451	MAZ4068NMF	ZENER DIODE	1	
	ZD501	MA4300NMTA	ZENER DIODE	1	
	ZD502	MA4300NMTA	ZENER DIODE	1	
	ZD503	MA4082NM	ZENER DIODE	1	
	ZD555	MA4330NMTA	ZENER DIODE	1	
	ZD601	MA4047NM	ZENER DIODE	1	
	ZD801	MA4047NM	ZENER DIODE	1	