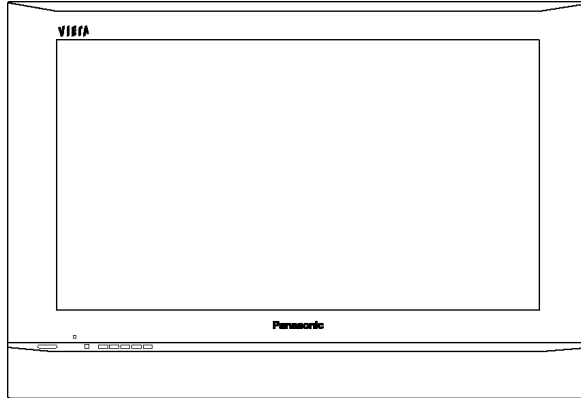


# Service Manual

## Progressive Plasma Television



**TH-42PA50A**  
**TH-42PA50H**  
**TH-42PA50M**  
**TH-37PA50H**  
**TH-37PA50M**  
 GP8DA Chassis

### Specifications

<b>Power Source</b>	AC 220-240 V, 50 / 60 Hz
<b>Power Consumption</b>	Average use : 245 W (37-inch) Average use : 315 W (42-inch) Standby condition : 0.3 W (37-inch) Standby condition : 0.3 W (42-inch)
<b>Plasma Display panel</b>	
<b>Drive method</b>	AC type
<b>Aspect Ratio</b>	16:9
<b>Contrast Ratio</b>	4000:1
<b>Screen size (No.of pixels)</b>	818 mm (W) × 461 mm (H) × 939 mm (diagonal) (37-inch) 920 mm (W) × 518 mm (H) × 1,056 mm (diagonal) (42-inch) 408,960 (852 (W) × 480 (H)) [2,556 × 480 dots]
<b>Sound</b>	
<b>Speaker</b>	12 cm × 6 cm × 2 pcs, 6 Ω
<b>Audio Output</b>	16 W (8 W + 8 W ), 10% THD
<b>Applicable signals</b>	
<b>Colour System</b>	NTSC, PAL, PAL60, SECAM, Modified NTSC
<b>Scanning format</b>	480i(60Hz), 480p(60Hz), 576i(50Hz), 576p(50Hz), 720p(50Hz), 720p(60Hz), 1080i(50Hz), 1080i(60Hz), 1152i(50Hz) (42PA50A)

### Receiving Systems / Band name (PA50H/M)

21 Systems	Function	21 Systems	Function	21 Systems	Function
1 PAL B, G, H	Reception of broadcast transmissions and Playback from Video Cassette Tape Recorders	8 NTSC 4.43/5.5 MHz	Playback from Special VCR's or DVD	15 PAL 60 Hz/5.5 MHz	Playback from Special Disc Players and Special VCR's or DVD
2 PAL I		9 NTSC 4.43/6.0 MHz		16 PAL 60 Hz/6.0 MHz	
3 PAL D, K		10 NTSC 4.43/6.5 MHz		17 PAL 60 Hz/6.5 MHz	
4 SECAM B, G		11 NTSC 3.58/5.5 MHz		18 SECAM 60Hz/5.5 MHz	
5 SECAM D, K		12 NTSC 3.58/6.0 MHz		19 SECAM 60Hz/6.0 MHz	
6 SECAM K1		13 NTSC 3.58/6.5 MHz		20 SECAM 60Hz/6.5 MHz	
7 NTSCM(NTSC 3.58/4.5 MHz)		14 SECAM I		21 NTSC 50 Hz/4.5 MHz	

**Receiving Systems**

/ Band name (PA50A)

1. PAL B/G	Reception of Off air broadcasts
2. NTSC 4.43	Playback from Video Tape Recorders
3. NTSC 3.58	Playback from Special Video Tape Recorders and Special Video Disc Players
4. PAL 60Hz	(Via the AV Sockets)only.

**Receiving Channels (PA50H/M)**

Regular TV

VHF BAND	UHF BAND	CATV
2-12 (PAL/SECAM B, K1)	21-69 (PAL G, H, I/SECAM G, K, K1)	S1-S20 (OSCAR)
0-12 (PAL B AUST.)	28-69 (PAL B AUST.)	1-125 (USA CATV)
1-9 (PAL B N.Z.)	13-57 (PAL D, K)	C13-C49 (JAPAN)
1-12 (PAL/SECAM D)	13-62 (NTSC M Japan)	S21-S41 (HYPER)
1-12 (NTSC M Japan)	14-69 (NTSC M USA)	Z1-Z37 (CHINA)
2-13 (NTSC M USA)		5A, 9A (AUST.)

**Receiving Channels (PA50A)**

VHF 0 to 12	PAL B	
UHF 21 to 69	PAL G	
S1 to S3	HYPER TUNER	
S1 to S41		(One tuner)

**Aerial - Rear**

UHF / VHF

**Operating Conditions**

Temperature : 0 °C - 40 °C  
Humidity : 20 % - 80 % RH (non-condensing)

**Connection Terminals**

**AV1 Input**

AUDIO L - R	RCA PIN Type × 2	0.5 Vrms
VIDEO	RCA PIN Type × 1	1.0 Vp-p (75 Ω)
S VIDEO	MINI DIN 4-pin	Y: 1.0 Vp-p (75 Ω) C: 0.286 Vp-p (75 Ω)

**AV2 Input**

AUDIO L - R	RCA PIN Type × 2	0.5 Vrms
VIDEO	RCA PIN Type × 1	1.0 Vp-p (75 Ω)
COMPONENT	Y	1.0 Vp-p (including synchronization)
	P <sub>B</sub> /C <sub>B</sub> ′, P <sub>R</sub> /C <sub>R</sub>	±0.35 Vp-p

**AV3 Input**

AUDIO L - R	RCA PIN Type × 2	0.5 Vrms
VIDEO	RCA PIN Type × 1	1.0 Vp-p (75 Ω)
COMPONENT	Y	1.0 Vp-p (including synchronization)
	P <sub>B</sub> /C <sub>B</sub> ′, P <sub>R</sub> /C <sub>R</sub>	±0.35 Vp-p

**OUTPUT**

AUDIO L - R	RCA PIN Type × 2	0.5 Vrms (high impedance)
VIDEO	RCA PIN Type × 1	1.0 Vp-p (75 Ω)

**Dimensions ( W × H × D )**

968 mm × 641 mm × 97 mm (37-inch)  
1,068 mm × 701 mm × 97 mm (42-inch)

**Weight**

29.0 kg Net (37-inch)  
33.0 kg Net (42-inch)

**Notes:**

- Design and Specifications are subject to change without notice. Weight and Dimensions shown are approximate.

**⚠ WARNING**

This service information is designed for experienced repair technicians only and is not designed for use by the general public. It does not contain warnings or cautions to advise non-technical individuals of potential dangers in attempting to service a product. Products powered by electricity should be serviced or repaired only by experienced professional technicians. Any attempt to service or repair the product or products dealt with in this service information by anyone else could result in serious injury or death.

**CONTENTS**

	Page	Page
1 Applicable signals .....	5	2 Safety Precautions .....
		5

2.1. General Guidelines .....	5	<b>13 Conductor View .....</b>	<b>35</b>
<b>3 Prevention of Electro Static Discharge (ESD) to Electrostatically Sensitive (ES) Devices .....</b>	<b>6</b>	13.1. P-Board .....	35
<b>4 About lead free solder (PbF) .....</b>	<b>7</b>	13.2. PA-Board .....	38
<b>5 Service Hint .....</b>	<b>8</b>	13.3. PB-Board .....	39
<b>6 Plasma panel replacement method .....</b>	<b>9</b>	13.4. H-Board .....	40
6.1. Remove the Back cover .....	9	13.5. DG-Board .....	42
6.2. Remove the P-Board .....	9	13.6. TA-Board .....	44
6.3. Remove the PB-Board .....	9	13.7. TB-Board .....	45
6.4. Remove the D-Board .....	9	13.8. Z-Board .....	46
6.5. Remove the rear terminal cover .....	10	13.9. D-Board .....	47
6.6. Remove the metal frame .....	10	13.10. C1-Board (37 inch) .....	50
6.7. Remove the DG-Board .....	10	13.11. C1-Board (42 inch) .....	51
6.8. Remove the H-Board and TA-Board .....	10	13.12. C2-Board (37 inch) .....	52
6.9. Remove the PA-Board .....	11	13.13. C2-Board (42 inch) .....	53
6.10. Remove the Z-Board .....	11	13.14. SC-Board .....	54
6.11. Remove the SU-Board .....	11	13.15. SU-Board (37 inch) .....	57
6.12. Remove the SD-Board .....	12	13.16. SU-Board (42 inch) .....	58
6.13. Remove the SC-Board .....	12	13.17. SD-Board (37 inch) .....	59
6.14. Remove the SS-Board .....	12	13.18. SD-Board (42 inch) .....	60
6.15. Remove the C1-Board .....	13	13.19. SS-Board .....	61
6.16. Remove the C2-Board .....	13	13.20. K and S-Board .....	63
6.17. Remove the K-Board .....	13	<b>14 Block and Schematic Diagram .....</b>	<b>65</b>
6.18. Remove the S-Board .....	13	14.1. Schematic Diagram Notes .....	65
6.19. Remove the Speaker L, R .....	14	14.2. Main Block Diagram .....	66
6.20. Remove the Plasma panel section from the Front frame (glass) .....	14	14.3. P-Board Block Diagram .....	67
6.21. Replace the plasma panel (finished) .....	15	14.4. P-Board (1 of 6) Schematic Diagram .....	68
<b>7 Location of Lead Wiring .....</b>	<b>16</b>	14.5. P-Board (2 of 6) Schematic Diagram .....	69
7.1. Lead of Wiring (1) .....	16	14.6. P-Board (3 of 6) Schematic Diagram .....	70
7.2. Lead of Wiring (2) .....	17	14.7. P-Board (4 of 6) Schematic Diagram .....	71
7.3. Lead of Wiring (3) .....	18	14.8. P-Board (5 of 6) Schematic Diagram .....	72
<b>8 Self Check .....</b>	<b>19</b>	14.9. P-Board (6 of 6) Schematic Diagram .....	73
8.1. Power LED Blinking timing chart .....	20	14.10. PA and PB-Board Block Diagram .....	74
8.2. No Power .....	20	14.11. PA-Board Schematic Diagram .....	75
8.3. No Picture .....	21	14.12. PB-Board Schematic Diagram .....	76
8.4. Local screen failure .....	22	14.13. H, TA and TB-Board Block Diagram .....	77
<b>9 Service Mode Function .....</b>	<b>23</b>	14.14. K, S and Z-Board Block Diagram .....	78
9.1. How to enter SERVICE 1 .....	23	14.15. H Board (1 of 3) Schematic Diagram .....	79
9.2. How to enter SERVICE 2 .....	23	14.16. H-Board (2 of 3) Schematic Diagram .....	80
9.3. Option Description .....	25	14.17. H-Board (3 of 3) Schematic Diagram .....	81
9.4. Option Code Setting .....	27	14.18. TA and TB-Board Schematic Diagram .....	82
<b>10 Adjustment Procedure .....</b>	<b>28</b>	14.19. K and S-Board Schematic Diagram .....	83
10.1. Driver Set-up .....	28	14.20. Z-Board Schematic Diagram .....	84
10.2. Initialization Pulse Adjust .....	29	14.21. DG-Board (1 of 2) Block Diagram .....	85
10.3. P.C.B. (Printed Circuit Board) exchange .....	30	14.22. DG-Board (2 of 2) Block Diagram .....	86
10.4. Adjustment Volume Location .....	30	14.23. DG-Board (1 of 12) Schematic Diagram .....	87
10.5. Test Point Location .....	30	14.24. DG-Board (2 of 12) Schematic Diagram .....	88
<b>11 Adjustment .....</b>	<b>31</b>	14.25. DG-Board (3 of 12) Schematic Diagram .....	89
11.1. PAL panel white balance adjustment .....	31	14.26. DG-Board (4 of 12) Schematic Diagram .....	90
11.2. 1080i white balance adjustment .....	32	14.27. DG-Board (5 of 12) Schematic Diagram .....	91
11.3. Sub bright adjustment .....	33	14.28. DG-Board (6 of 12) Schematic Diagram .....	92
11.4. ABL adjustment .....	33	14.29. DG-Board (7 of 12) Schematic Diagram .....	93
<b>12 Hotel mode .....</b>	<b>34</b>	14.30. DG-Board (8 of 12) Schematic Diagram .....	94
		14.31. DG-Board (9 of 12) Schematic Diagram .....	95
		14.32. DG-Board (10 of 12) Schematic Diagram .....	96

14.33. DG-Board (11 of 12) Schematic Diagram .....	97	14.53. SC-Board (2 of 2) Schematic Diagram .....	117
14.34. DG-Board (12 of 12) Schematic Diagram .....	98	14.54. SU-Board Block Diagram .....	118
14.35. D-Board Block Diagram .....	99	14.55. SU-Board Schematic Diagram (37 inch) .....	119
14.36. D-Board (1 of 6) Schematic Diagram .....	100	14.56. SU-Board Schematic Diagram (42 inch) .....	120
14.37. D-Board (2 of 6) Schematic Diagram .....	101	14.57. SD-Board Block Diagram .....	121
14.38. D-Board (3 of 6) Schematic Diagram .....	102	14.58. SD-Board Schematic Diagram (37 inch) .....	122
14.39. D-Board (4 of 6) Schematic Diagram .....	103	14.59. SD-Board Schematic Diagram (42 inch) .....	123
14.40. D-Board (5 of 6) Schematic Diagram .....	104	14.60. SS-Board Block Diagram .....	124
14.41. D-Board (6 of 6) Schematic Diagram .....	105	14.61. SS-Board Schematic Diagram .....	125
14.42. C1 and C2-Board Block Diagram .....	106	<b>15 Parts Location &amp; Mechanical Replacement Parts List .....</b>	<b>127</b>
14.43. C1-Board (1 of 2) Schematic Diagram (37 inch) .....	107	15.1. Parts Location .....	127
14.44. C1-Board (2 of 2) Schematic Diagram (37 inch) .....	108	15.2. Packing Exploded Views (1) .....	128
14.45. C1-Board (1 of 2) Schematic Diagram (42 inch) .....	109	15.3. Packing Exploded Views (2) .....	129
14.46. C1-Board (2 of 2) Schematic Diagram (42 inch) .....	110	15.4. Packing Exploded Views (3) .....	130
14.47. C2-Board (1 of 2) Schematic Diagram (37 inch) .....	111	15.5. Mechanical Replacement Parts List .....	131
14.48. C2-Board (2 of 2) Schematic Diagram (37 inch) .....	112	<b>16 Electrical Replacement Parts List .....</b>	<b>132</b>
14.49. C2-Board (1 of 2) Schematic Diagram (42 inch) .....	113	16.1. Replacement Parts List Notes .....	132
14.50. C2-Board (2 of 2) Schematic Diagram (42 inch) .....	114	16.2. Electrical Replacement Parts List (37inch) .....	133
14.51. SC-Board Block Diagram .....	115	16.3. Electrical Replacement Parts List (42inch) .....	157
14.52. SC-Board (1 of 2) Schematic Diagram .....	116		

# 1 Applicable signals

Applicable input signal for Component(Y, PB, PR)

Signal name	Horizontal frequency (kHz)	Vertical frequency (Hz)
525(480)/60i	15.73	59.94
525(480)/60p	31.47	59.94
625(576)/50i	15.63	50.00
625(576)/50p	31.25	50.00
750(720)/50p	37.50	50.00
750(720)/60p	45.00	60.00
1125(1080)/50i	28.13	50.00
1125(1080)/50i	31.25	50.00
1125(1080)/60i	33.75	60.00

(TH-42PA50A ONLY)

**Note:** Signals other than above may not be displayed properly.

## 2 Safety Precautions

### 2.1. General Guidelines

1. When servicing, observe the original lead dress. If a short circuit is found, replace all parts which have been overheated or damaged by the short circuit.
2. After servicing, see to it that all the protective devices such as insulation barriers, insulation papers shields are properly installed.
3. After servicing, make the following leakage current checks to prevent the customer from being exposed to shock hazards.

#### 2.1.1. Leakage Current Cold Check

1. Unplug the AC cord and connect a jumper between the two prongs on the plug.
2. Measure the resistance value, with an ohmmeter, between the jumpered AC plug and each exposed metallic cabinet part on the equipment such as screwheads, connectors, control shafts, etc. When the exposed metallic part has a return path to the chassis, the reading should be between  $1M\Omega$  and  $5.2M\Omega$ .

When the exposed metal does not have a return path to the chassis, the reading must be  $\infty$ .

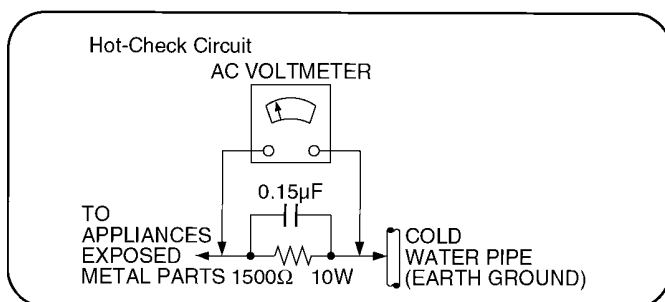


Figure 1

#### 2.1.2. Leakage Current Hot Check (See Figure 1.)

1. Plug the AC cord directly into the AC outlet. Do not use an isolation transformer for this check.
2. Connect a  $1.5k\Omega$ , 10 watts resistor, in parallel with a  $0.15\mu F$  capacitors, between each exposed metallic part on the set and a good earth ground such as a water pipe, as shown in Figure 1.
3. Use an AC voltmeter, with 1000 ohms/volt or more sensitivity, to measure the potential across the resistor.
4. Check each exposed metallic part, and measure the voltage at each point.
5. Reverse the AC plug in the AC outlet and repeat each of the above measurements.
6. The potential at any point should not exceed 0.75 volts RMS. A leakage current tester (Simpson Model 229 or equivalent) may be used to make the hot checks, leakage current must not exceed 1/2 milliamp. In case a measurement is outside of the limits specified, there is a possibility of a shock hazard, and the equipment should be repaired and rechecked before it is returned to the customer.

### 3 Prevention of Electro Static Discharge (ESD) to Electrostatically Sensitive (ES) Devices

Some semiconductor (solid state) devices can be damaged easily by static electricity. Such components commonly are called Electrostatically Sensitive (ES) Devices. Examples of typical ES devices are integrated circuits and some field-effect transistors and semiconductor "chip" components. The following techniques should be used to help reduce the incidence of component damage caused by electro static discharge (ESD).


1. Immediately before handling any semiconductor component or semiconductor-equipped assembly, drain off any ESD on your body by touching a known earth ground. Alternatively, obtain and wear a commercially available discharging ESD wrist strap, which should be removed for potential shock reasons prior to applying power to the unit under test.
2. After removing an electrical assembly equipped with ES devices, place the assembly on a conductive surface such as aluminum foil, to prevent electrostatic charge buildup or exposure of the assembly.
3. Use only a grounded-tip soldering iron to solder or unsolder ES devices.
4. Use only an anti-static solder removal device. Some solder removal devices not classified as "anti-static (ESD protected)" can generate electrical charge sufficient to damage ES devices.
5. Do not use freon-propelled chemicals. These can generate electrical charges sufficient to damage ES devices.
6. Do not remove a replacement ES device from its protective package until immediately before you are ready to install it. (Most replacement ES devices are packaged with leads electrically shorted together by conductive foam, aluminum foil or comparable conductive material).
7. Immediately before removing the protective material from the leads of a replacement ES device, touch the protective material to the chassis or circuit assembly into which the device will be installed.

#### Caution

Be sure no power is applied to the chassis or circuit, and observe all other safety precautions.

8. Minimize bodily motions when handling unpackaged replacement ES devices. (Otherwise harmless motion such as the brushing together of your clothes fabric or the lifting of your foot from a carpeted floor can generate static electricity (ESD) sufficient to damage an ES device).

#### IMPORTANT SAFETY NOTICE

There are special components used in this equipment which are important for safety. These parts are marked by  in the schematic diagrams, Exploded Views and replacement parts list. It is essential that these critical parts should be replaced with manufacturer's specified parts to prevent shock, fire, or other hazards. Do not modify the original design without permission of manufacturer.

## 4 About lead free solder (PbF)

**Note:** Lead is listed as (Pb) in the periodic table of elements.

In the information below, Pb will refer to Lead solder, and PbF will refer to Lead Free Solder.

The Lead Free Solder used in our manufacturing process and discussed below is (Sn+Ag+Cu).

That is Tin (Sn), Silver (Ag) and Copper (Cu) although other types are available.

This model uses Pb Free solder in it's manufacture due to environmental conservation issues. For service and repair work, we'd suggest the use of Pb free solder as well, although Pb solder may be used.

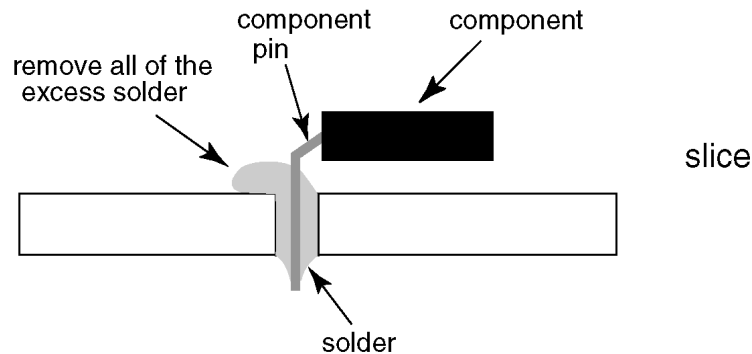
PCBs manufactured using lead free solder will have the PbF within a leaf Symbol  stamped on the back of PCB.

### Caution

- Pb free solder has a higher melting point than standard solder. Typically the melting point is 50 ~ 70 °F (30~40 °C) higher. Please use a high temperature soldering iron and set it to 700 ± 20 °F (370 ± 10 °C).
- Pb free solder will tend to splash when heated too high (about 1100 °F or 600 °C).

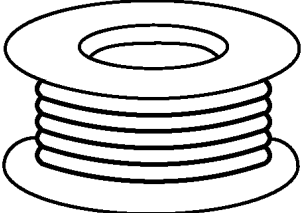
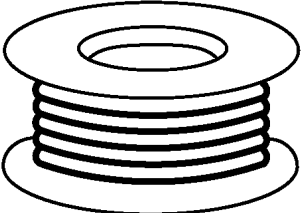
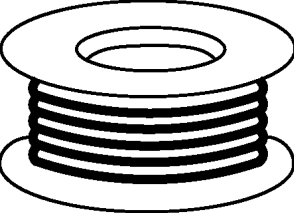
If you must use Pb solder, please completely remove all of the Pb free solder on the pins or solder area before applying Pb solder. If this is not practical, be sure to heat the Pb free solder until it melts, before applying Pb solder.

- After applying PbF solder to double layered boards, please check the component side for excess solder which may flow onto the opposite side. (see figure below)



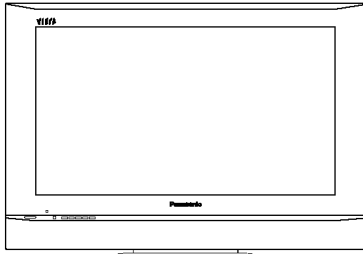
### Suggested Pb free solder

There are several kinds of Pb free solder available for purchase. This product uses Sn+Ag+Cu (tin, silver, copper) solder. However, Sn+Cu (tin, copper), Sn+Zn+Bi (tin, zinc, bismuth) solder can also be used.

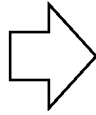
0.3mm X 100g	0.6mm X 100g	1.0mm X 100g
		

# 5 Service Hint

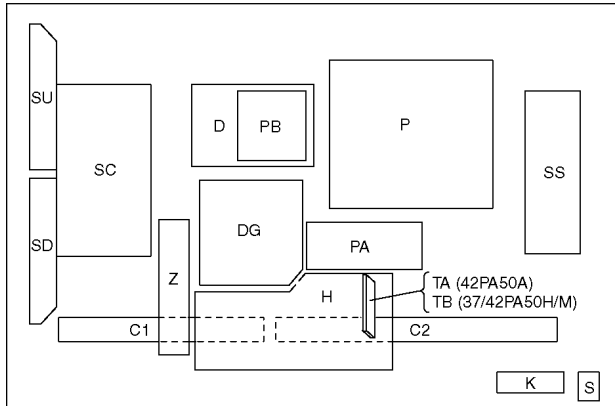
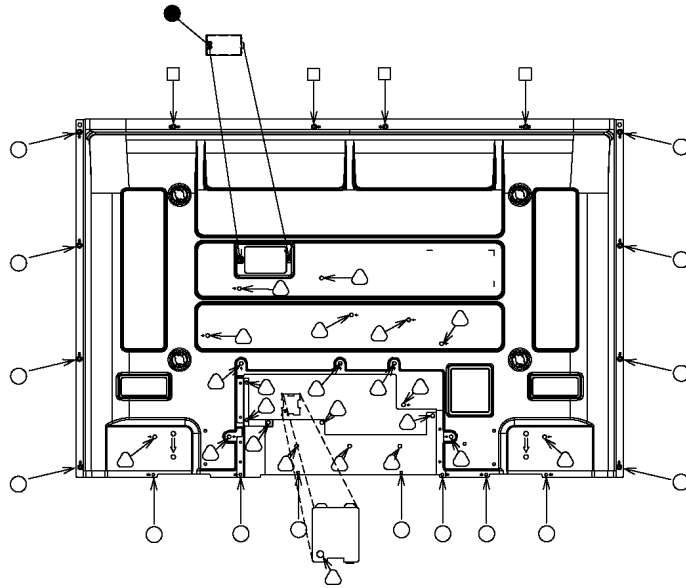
Stand the Unit used for Pedestal



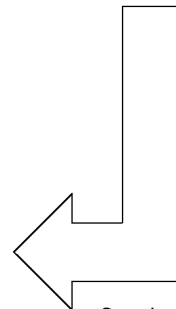
Pedestal



Remove the Back Cover



Remove:  
 15 screws ( ○ ) XTB4+15AFJK  
 1 screws ( ● ) XTB4+12GFJK  
 4 screws ( □ ) THEL0439  
 23 screws ( △ ) THEL0429



Service Position

Board Name	Function	Board Name	Function
P	Power Supply	C1	Data Driver (Left)
PA	DC-DC Converter, Power SOS	C2	Data Driver (Right)
PB	Audio Power	SC	Scan Drive
H	AV Terminal, AV Switch, MSP	SU	Scan out (Upper)
TA (PA50A)	Tuner	SD	Scan out (Lower)
TB (PA50H/M)	Tuner	SS	Sustain Drive
DG	Digital Signal Processor	K	Remote receiver, Keyscan
Z	Speaker AMP	S	Power Switch
D	Format Converter, Plasma AI Processor		



## 6 Plasma panel replacement method

### 6.1. Remove the Back cover.

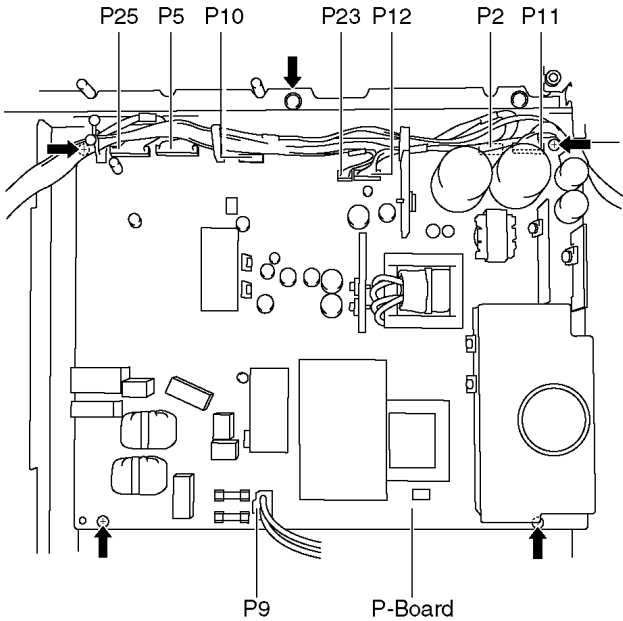
1. See Service Hint (Section 5).

### 6.2. Remove the P-Board.

#### Caution:

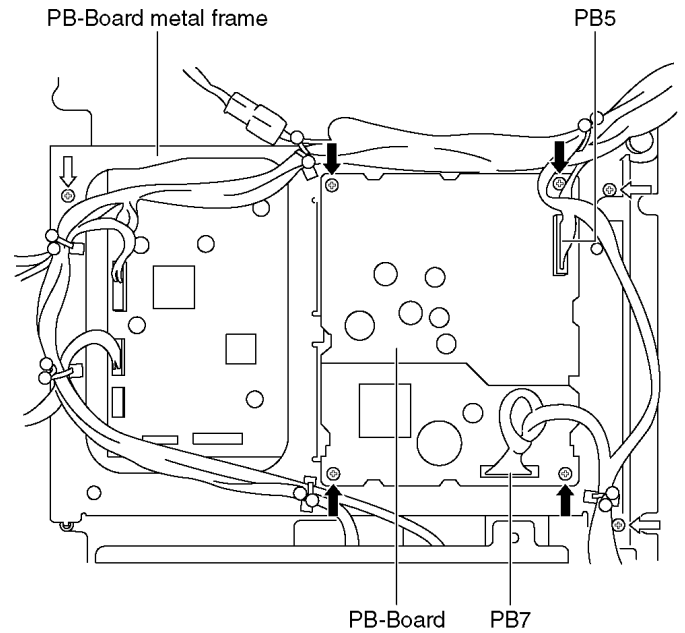
To remove P.C.B., wait 1 minute after power was off for discharge from electrolysis capacitors.

1. Disconnect the couplers (P2, P5, P9, P10, P11, P12, P23 and P25).
2. Remove the screws ( $\times 5 \rightarrow$ ) and remove the P-Board.



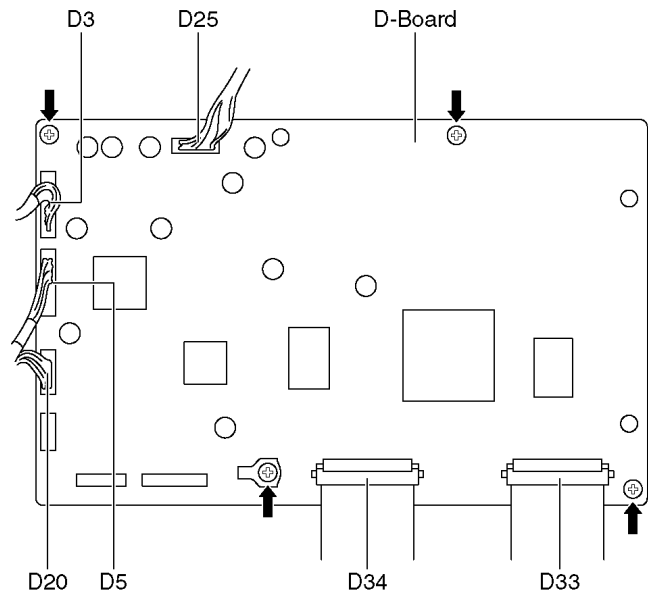
### 6.3. Remove the PB-Board

1. Unlock the cable clampers to free the cable.
2. Disconnect the couplers (PB5 and PB7).
3. Remove the screws ( $\times 3 \rightarrow$ ) and remove the PB-Board metal frame.
4. Remove the screws ( $\times 4 \rightarrow$ ) and remove the PB-Board.



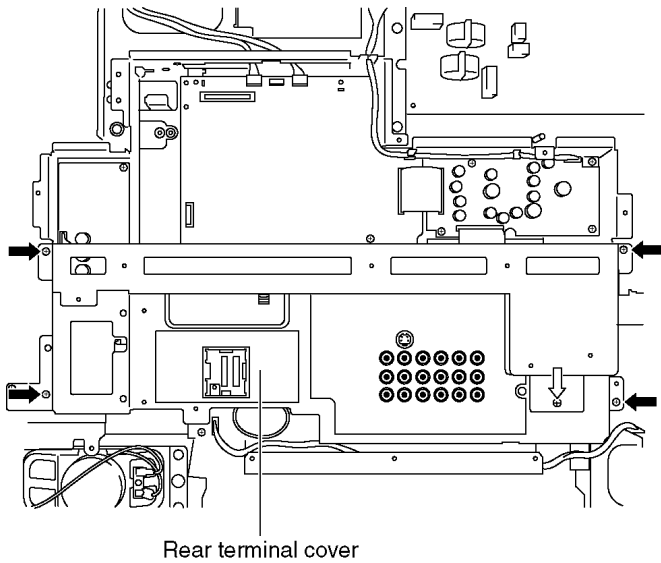
### 6.4. Remove the D-Board

1. Remove the PB-Board.
2. Disconnect the couplers (D3, D5, D20 and D25) and
3. Disconnect the flexible cables (D33 and D34).
4. Remove the screws ( $\times 4 \rightarrow$ ) and remove the D-Board.



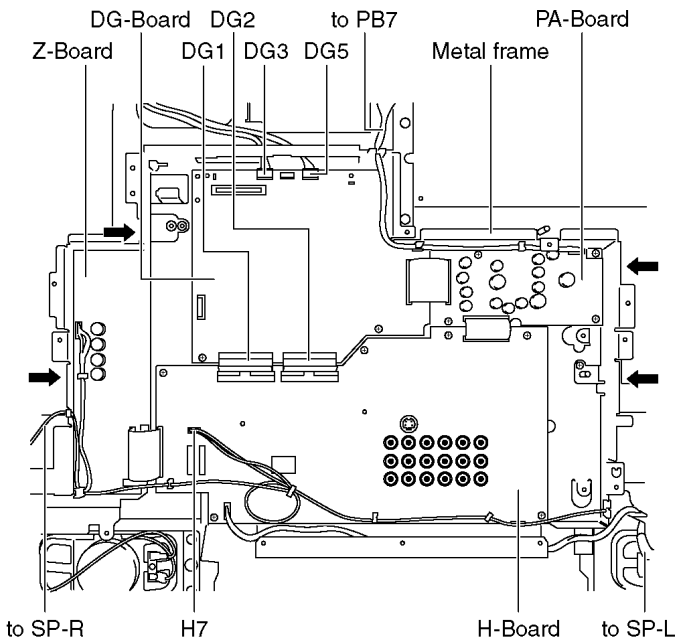
### 6.5. Remove the rear terminal cover

1. Remove the screws (×4 ➡), and the screw (×7 ⇨).
2. Remove the rear terminal cover.



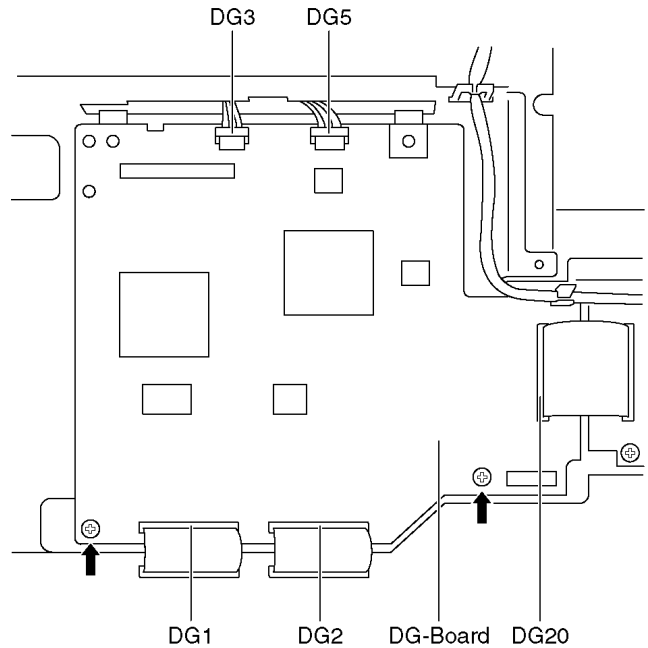
### 6.6. Remove the metal frame

1. Unlock the cable clampers to free the cable.
2. Disconnect the couplers (D3, D5, H7, P10 and PB7) and relay connector (SP-R, SP-L).
3. Remove the screws (×4 ➡) remove the metal frame.



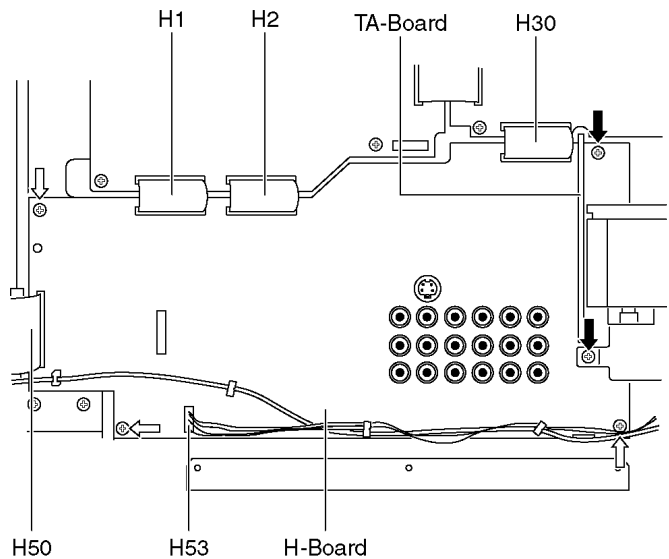
### 6.7. Remove the DG-Board

1. Unlock the cable clampers to free the cable.
2. Disconnect the couplers (DG3 and DG5).
3. Disconnect the flexible cables (DG1, DG2 and DG20).
4. Remove the screws (×2 ➡) and remove the DG-Board.



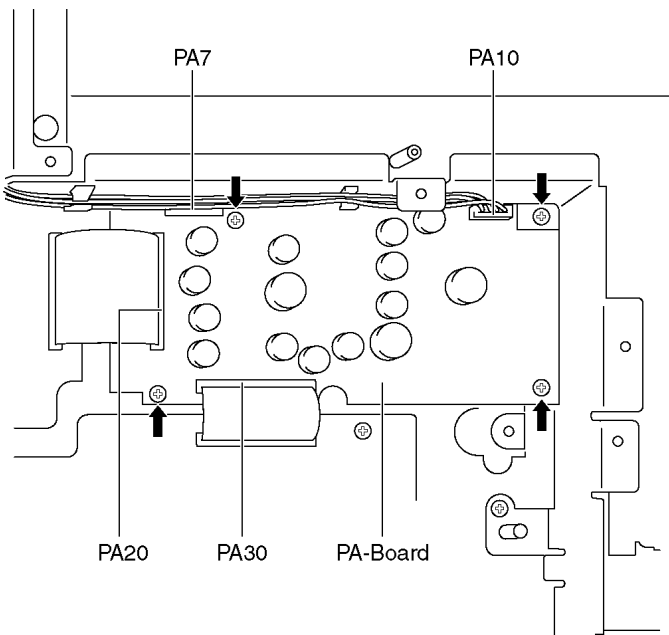
### 6.8. Remove the H-Board and TA-Board

1. Unlock the cable clampers to free the cable.
2. Remove the screws (×2 ➡) and remove the TA-Board.
3. Disconnect the coupler (H53).
4. Disconnect the flexible cables (H1, H2, H30 and H50).
5. Remove the screws (×3 ⇨) and remove the H-Board.



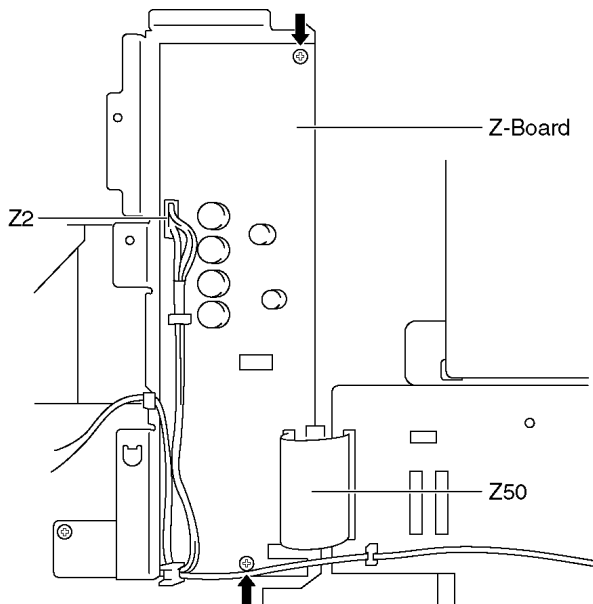
### 6.9. Remove the PA-Board

1. Unlock the cable clampers to free the cable.
2. Disconnect the couplers (PA7 and PA10).
3. Disconnect the flexible cables (PA20 and PA30).
4. Remove the screws (×4 ➡) and remove the PA-Board.



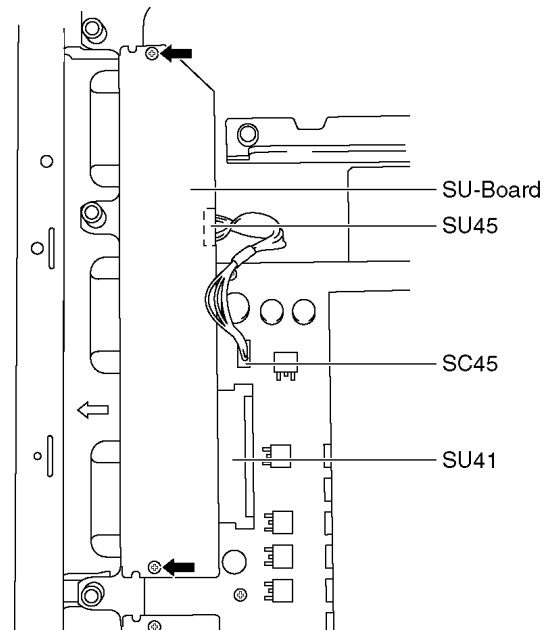
### 6.10. Remove the Z-Board

1. Unlock the cable clampers to free the cable.
2. Disconnect the coupler (Z2).
3. Disconnect the flexible cable (Z50).
4. Remove the screws (×2 ➡) and remove the Z-Board.

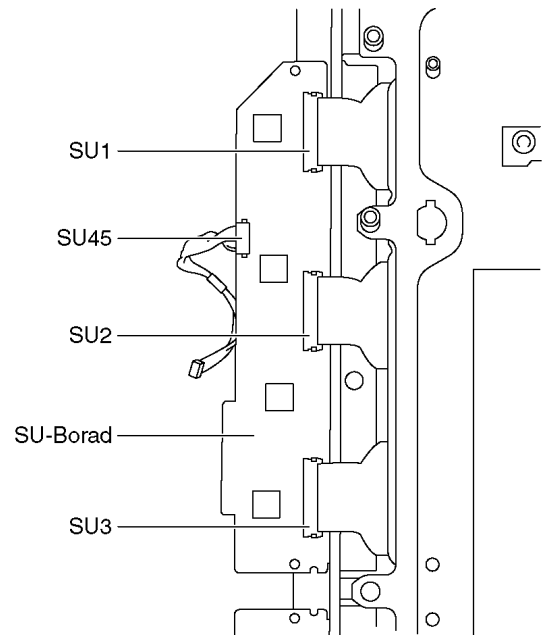


### 6.11. Remove the SU-Board

1. Remove the screws (×2 ➡)
2. Slide the SU-Board to the left to disconnect from a coupler (SC41 - SU41) on the SC-Board and disconnect a coupler (SU45 or SC45).

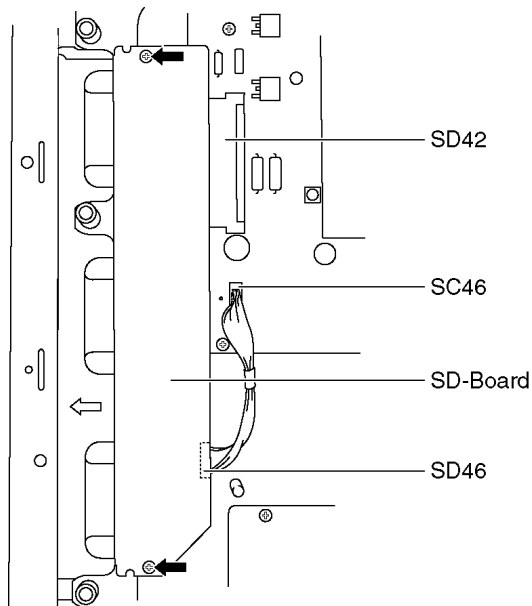


3. Disconnect the flexible cables (SU1, SU2, SU3) connected to the SU-Board, and remove the SU-Board.

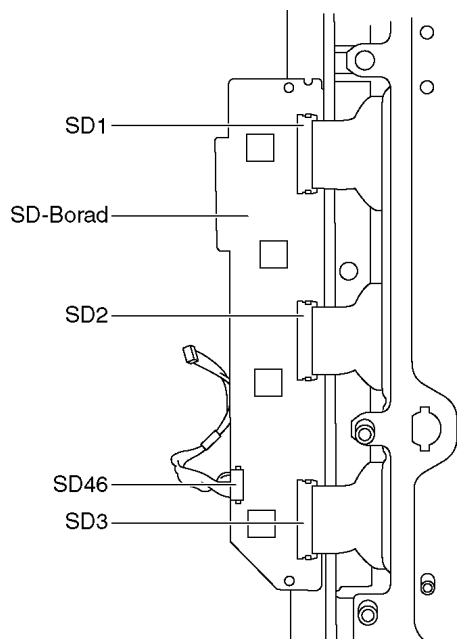


## 6.12. Remove the SD-Board

1. Remove the screws (×2 →)
2. Slide the SD-Board to the left to disconnect from a coupler (SC42 - SD42) on the SC-Board and disconnect a coupler (SD46 or SC46).

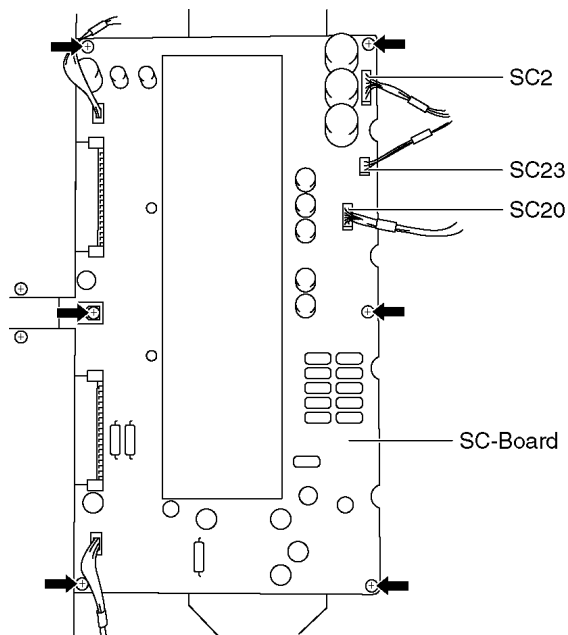


3. Disconnect the flexible cables (SD1, SD2 and SD3) connected to the SU-Board, and remove the SD-Board.



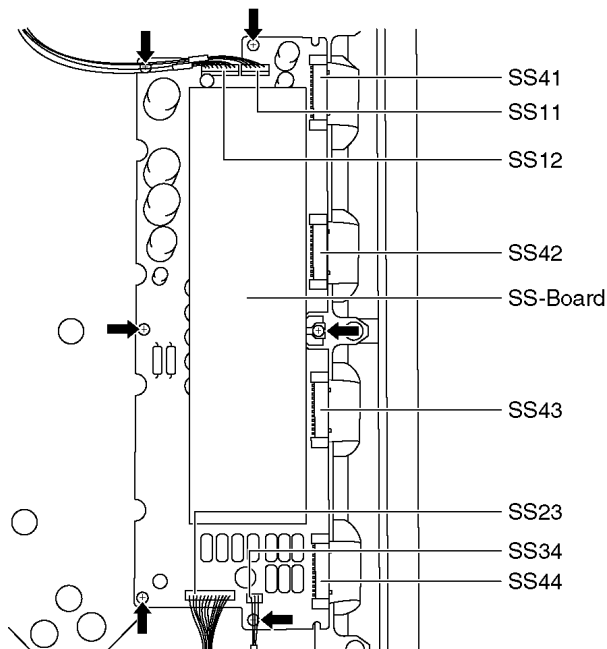
## 6.13. Remove the SC-Board

1. Disconnect the couplers (SC2, SC20 and SC23).
2. Remove the screws (×6 →) and remove the SC-Board.



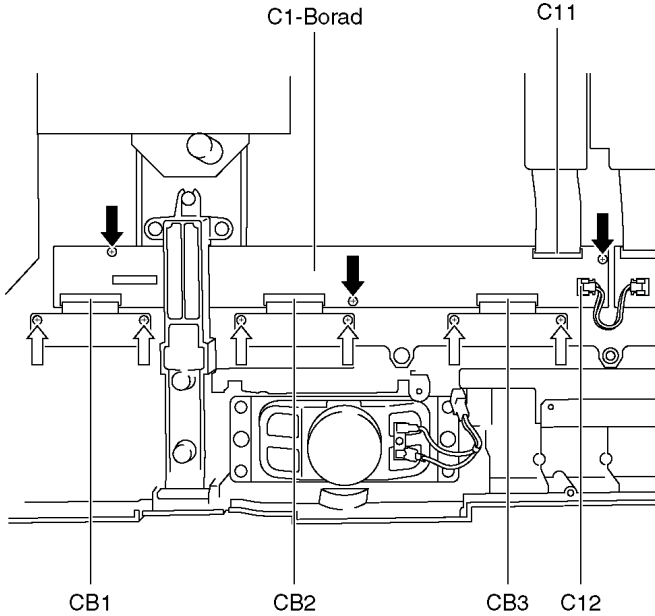
## 6.14. Remove the SS-Board

1. Disconnect the couplers (SS11, SS12, SS23 and SS34).
2. Disconnect the flexible cables (SS41, SS42, SS43 and SS44).
3. Remove the screws (×6 →) and remove the SS-Board.



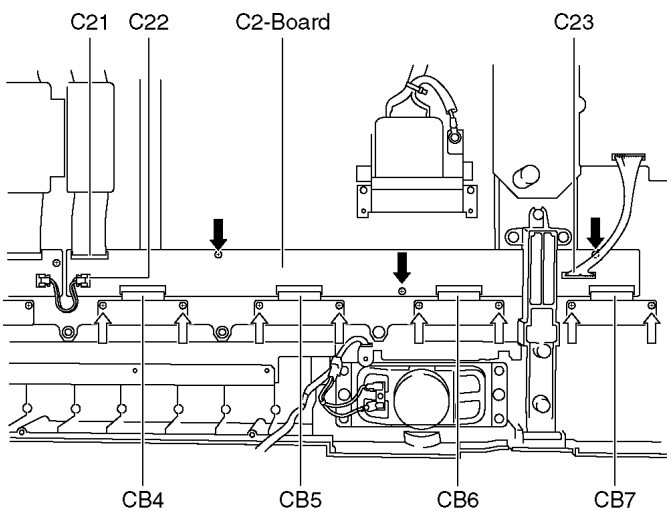
## 6.15. Remove the C1-Board

1. Remove the flexible cables holder fastening screws ( $\times 6 \Rightarrow$ ).
2. Disconnect the flexible cables (CB1, CB2 and CB3).
3. Disconnect the flexible cable (C11).
4. Disconnect the coupler (C12).
5. Remove the screws ( $\times 3 \Rightarrow$ ) and remove the C1-Board.



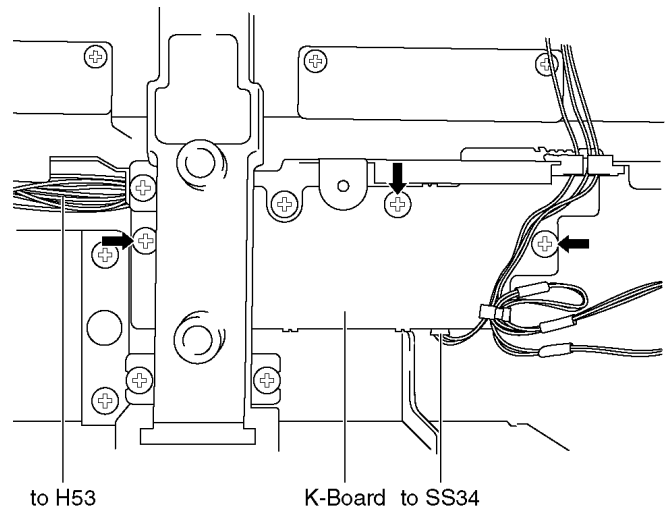
## 6.16. Remove the C2-Board

1. Remove the flexible cables holder fastening screws ( $\times 8 \Rightarrow$ ).
2. Disconnect the flexible cables (CB4, CB5, CB6 and CB7).
3. Disconnect the flexible cable (C21).
4. Disconnect the couplers (C22 and C23).
5. Remove the screws ( $\times 3 \Rightarrow$ ) and slide the C2-Board to the left and remove the C2-Board.



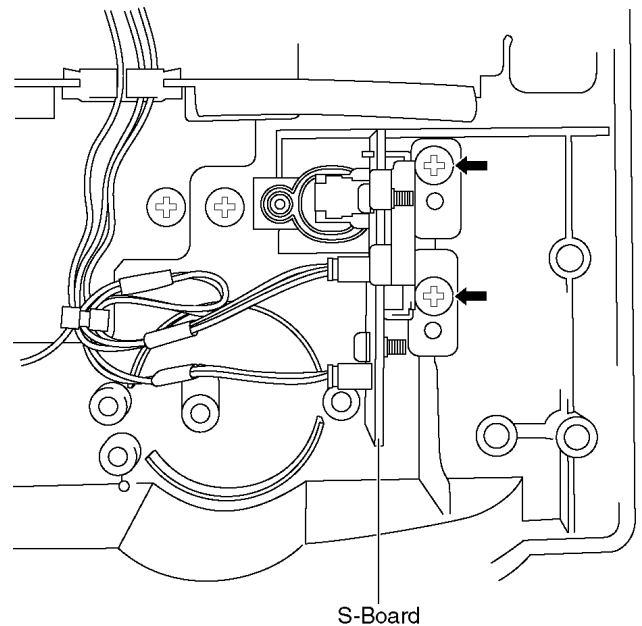
## 6.17. Remove the K-Board

1. Unlock the cable clampers to free the cable.
2. Disconnect the couplers (H53 and SS34).
3. Remove the screws ( $\times 3 \Rightarrow$ ) and remove the K-Board.

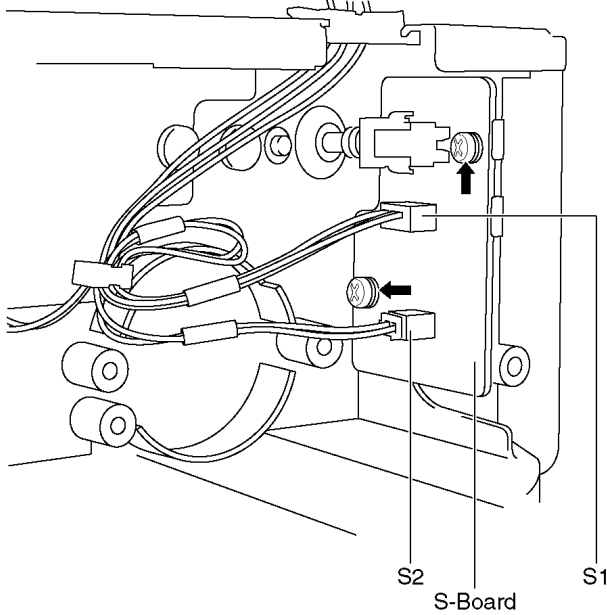


## 6.18. Remove the S-Board

1. Remove the screw ( $\times 2 \Rightarrow$ ) and remove the S-Board unit.

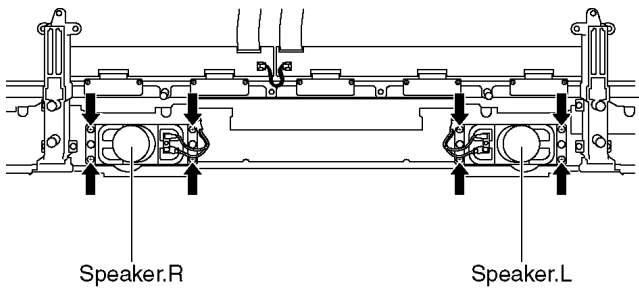


2. Unlock the cable clampers to free the cable.
3. Disconnect the couplers (S1 and S2).
4. Remove the screws (×2 ➡) and remove the S-Board.



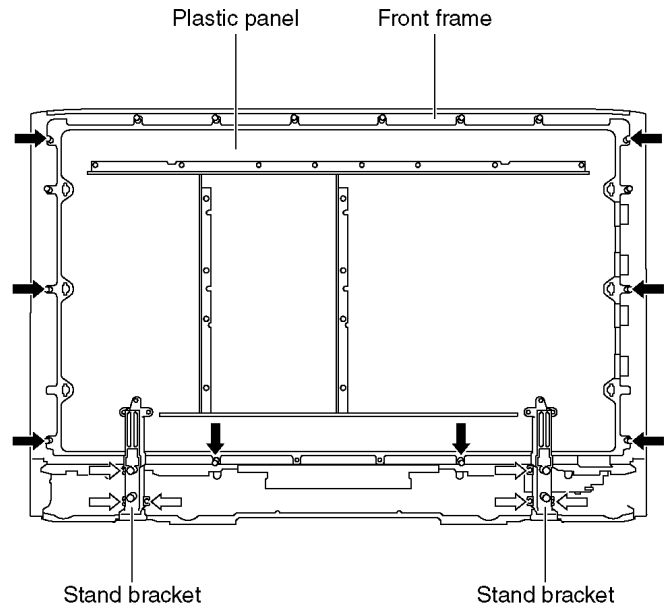
### 6.19. Remove the Speaker L, R

1. Remove the screw (×8 ➡) and remove the Speaker L, R.



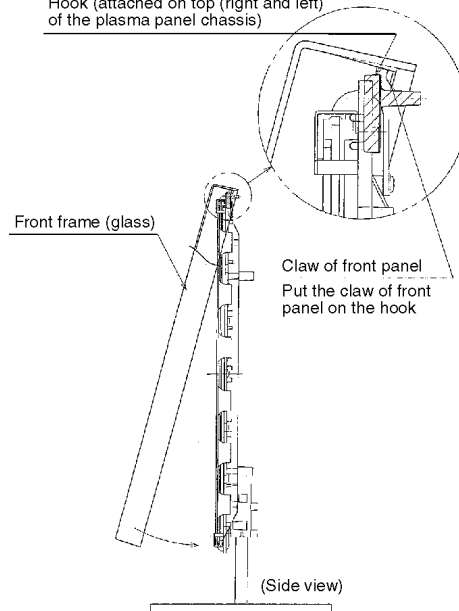
### 6.20. Remove the Plasma panel section from the Front frame (glass)

1. Remove the front frame and the plasma panel fastening screw (×8 ➡).
2. Remove the front frame and the stand brackets fastening screw (×6 ⇨).



3. For leaving the plasma panel from the front frame, pull the bottom of the front frame forward, lift, and remove.

Hook (attached on top (right and left) of the plasma panel chassis)



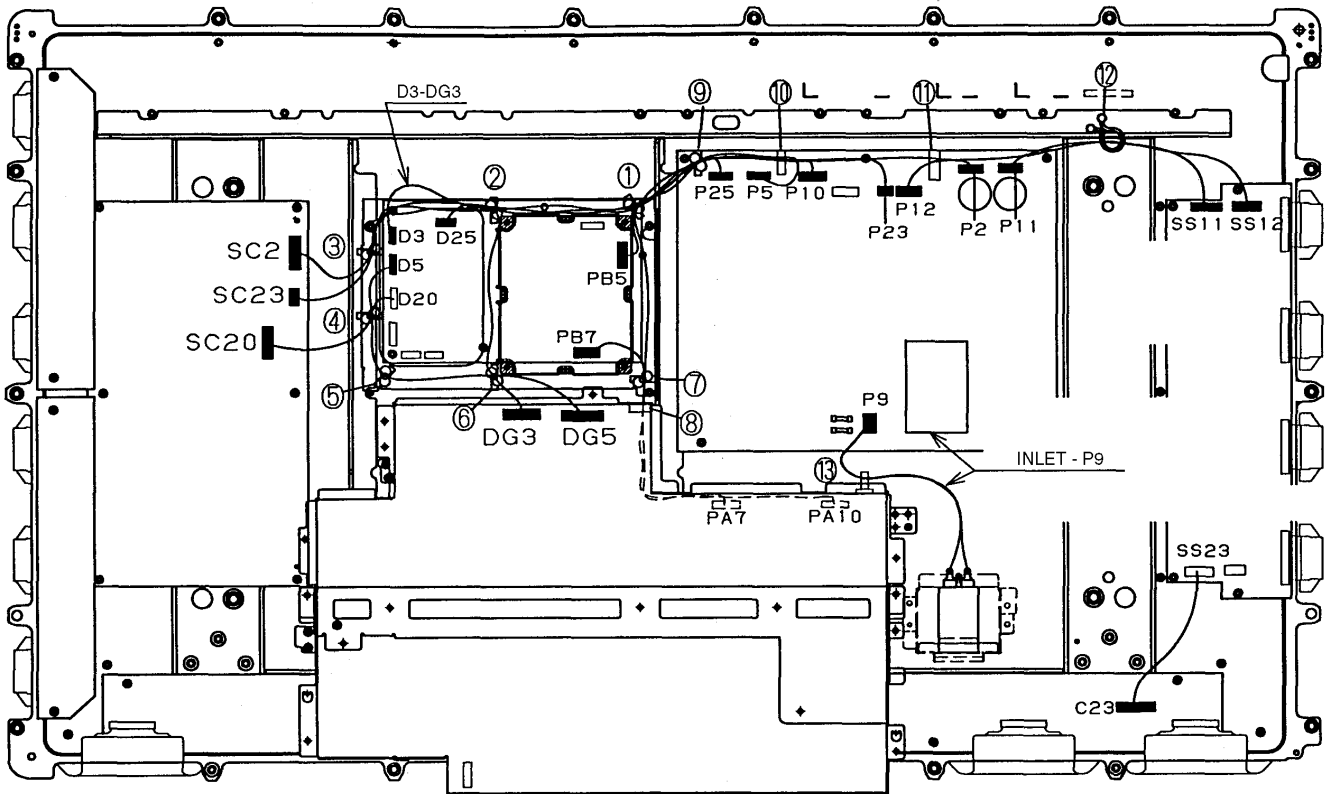
## 6.21. Replace the plasma panel (finished).

1. Place the new plasma panel (finished) on the flat surface of the table (covered by a soft cloth), with the plasma panel surface facing downward.
2. Attach the C1-Board and the C2-Board, connect the flexible cables (×7) from the Plasma panel to the C1-Board and C2-Board, and fix the flexible cable holders.
3. Attach the Hooks (left, right) and fit the stand brackets (left, right) to the new plasma panel.
4. Place the plasma panel section on the servicing stand.
5. Attach the front frame and the each P.C.Board and so on, to the new plasma panel.

**\* When fitting the front frame, be careful not to allow any debris, dust or handling residues to remain between the front glass and plasma panel.**

# 7 Location of Lead Wiring

## 7.1. Lead of Wiring (1)



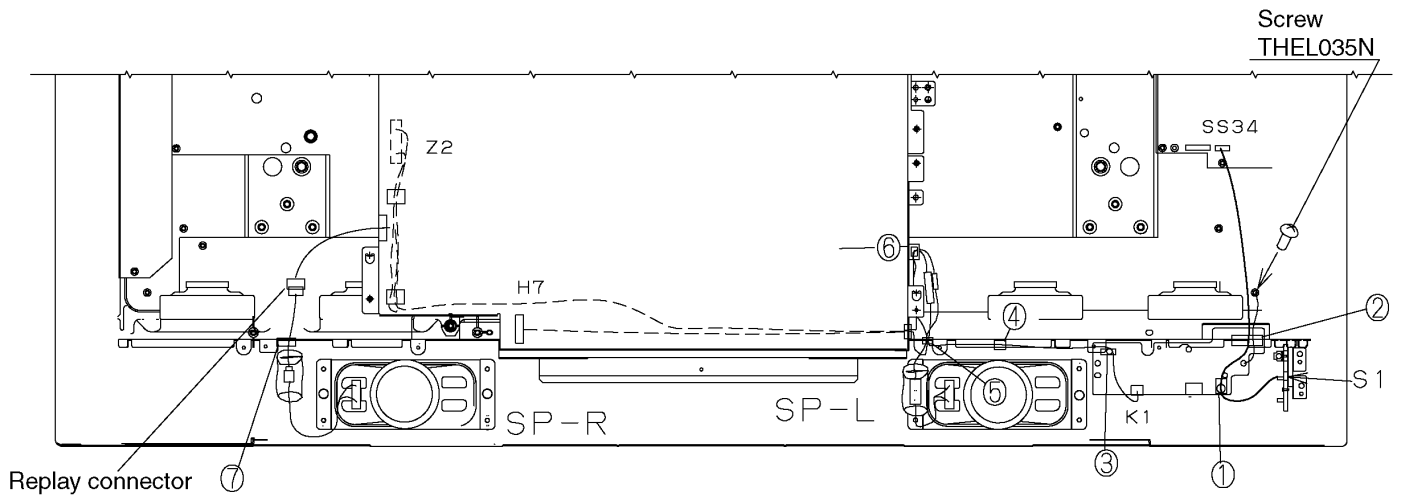


## 7.2. Lead of Wiring (2)

CON : No. — CON : No.	①	②	③	④	⑤	⑥	⑦	⑧	⑨	⑩	⑪	⑫	⑬
SC2 — P2	○	○	○						○	○	○		
SC23 — P23	○	○	○						○	○			
SC20 — D20				○									
DG3 — D3		○				○							
DG5 — D5				○	○	○							
D25 — P25	○	○							○				
PB5 — P5	○								○	○			
PA7 — PB7							○	○					
PA10 — P10	○						○	○	○	○			
SS11 — P11												○	
SS12 — P12											○	○	
SS23 — C23													
AC INLET — P9													○

Connector Connection: P2, P5, P9, P10, P11, P12, P23, P25  
D3, D5, D25,  
PB7, PB5,  
SC2, SC20, SC23,  
SS11, SS12,  
DG3, DG5,  
C23

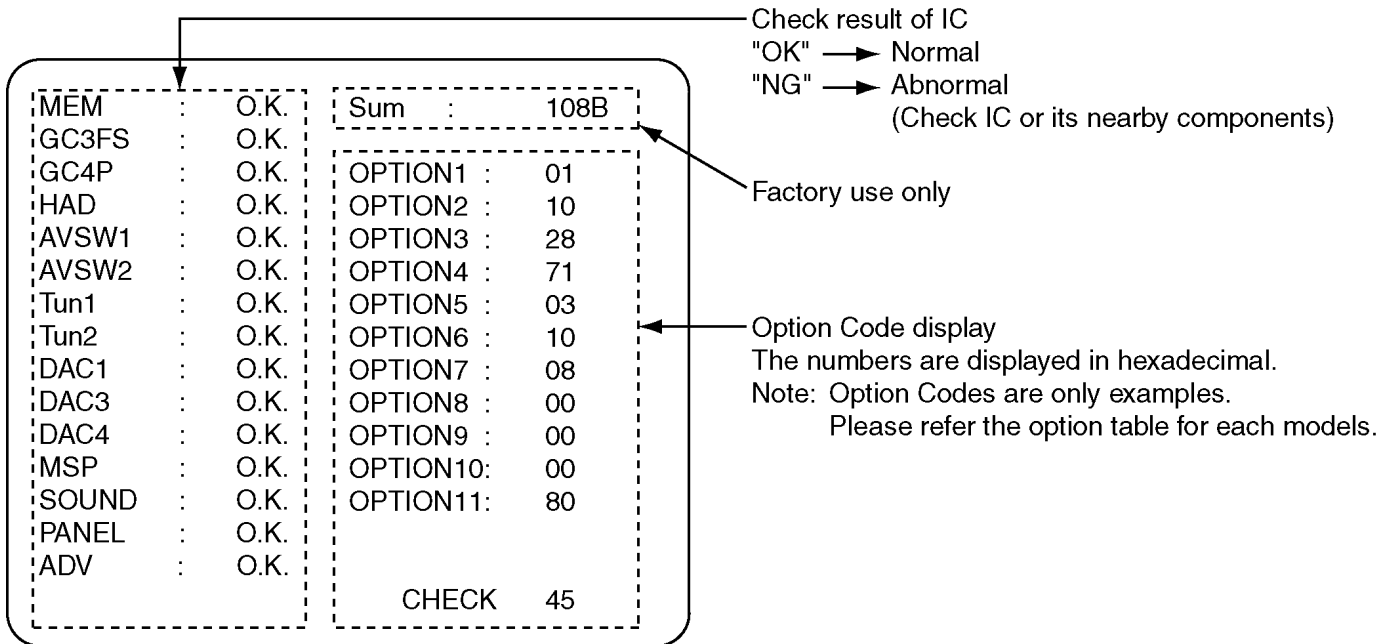
### 7.3. Lead of Wiring (3)



CON:NO.	CON:NO.	①	②	③	④	⑤	⑥	⑦
S1	SS34	○						
K1	H7		○	○	○	○		
SP L	Z2				○	○		
SP R	Z2						○	
K	earth	○						

## 8 Self Check

1. Self-Check is used to automatically check the bus lines and hexadecimal code of the TV set.
2. To get into the Self -Check mode press the Down (—/√) button on the customer controls at the front of the set, at the same time pressing the Status button on the remote control, and the screen will show :



If the CCU ports have been checked and found to be incorrect or not located then "--" will appear in place of "O.K.".

Display	Ref.No	Description	P.C.B.
MEM	IC1107	EEPROM	DG-Board
GC3FS	IC4013	Global Core for Sub	DG-Board
GC4P	IC4054	Global Core for Main	DG-Board
HAD	IC4012	OSD RGB A/D	DG-Board
AVSW1	IC2105	Audio SW	H-Board
AVSW2	IC3005	Video SW	H-Board
Tun1	TU001	Tuner	TA/TB-Board
Tun2	TU002	Tuner	TB-Board
DAC1	IC1106	Ext. DAC	DG-Board
DAC3	IC3006	Ext. I/O	H-Board
DAC4	IC4016	Ext. I/O	DG-Board
MSP	IC2106	Multi Sound Processor	H-Board
SOUND	IC2300	Sound Control	Z-Board
PANEL	IC9003	Panel	D-Board
ADV	IC4005	10bit A/D	DG-Board

## 8.1. Power LED Blinking timing chart

### 1. Subject

Information of LED Flashing timing chart.

### 2. Contents

When an abnormality has occurred the unit, the protection circuit operates and reset to the stand by mode. At this time, the defective block can be identified by the number of blinks of the Power LED on the front panel of the unit.

Blinking Times	Blinking timing	Contents & Check point
1		No particular check point
10		Tuner SOS (No power for tuner)
12		Sound SOS

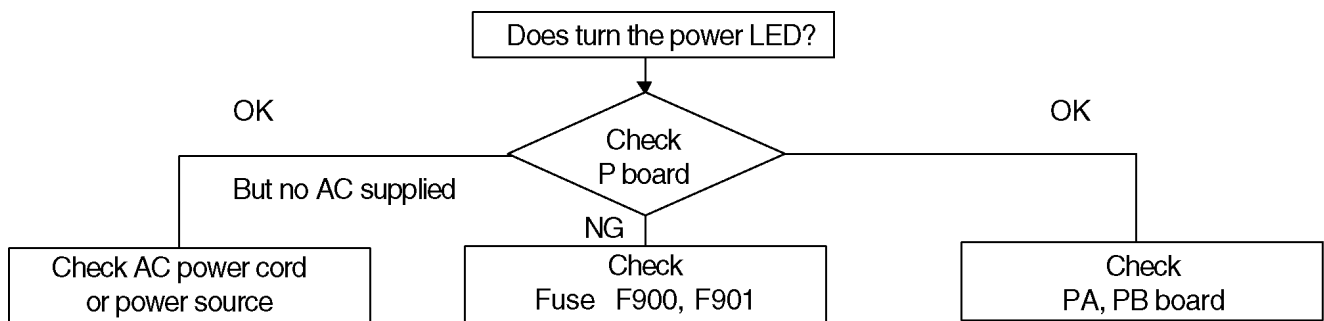
## 8.2. No Power

### First check point

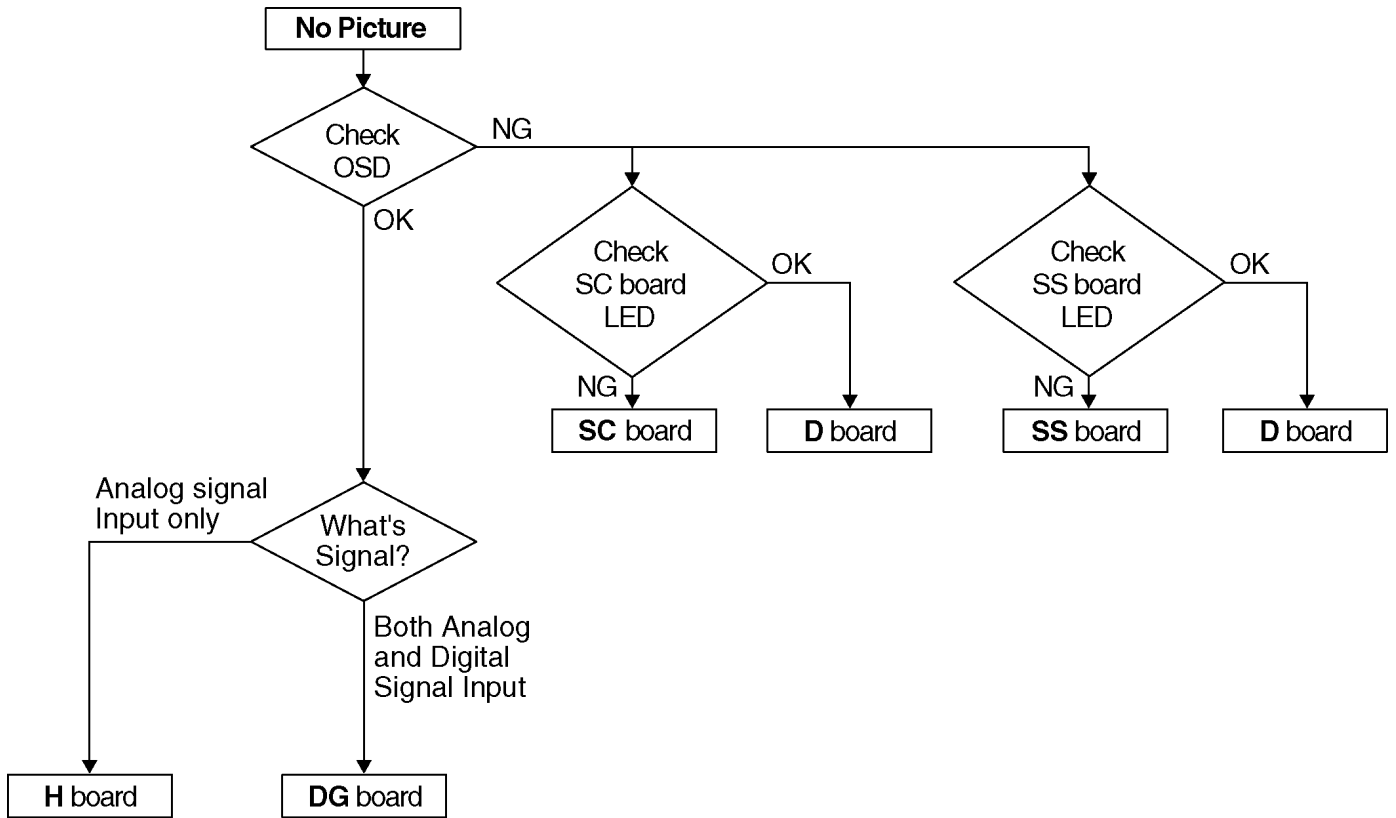
There are following 3 states of No Power indication by power LED.

1. No lit
2. Green is lit then turns red blinking a few seconds later.
3. Only red is lit.

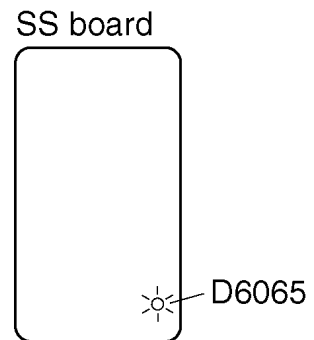
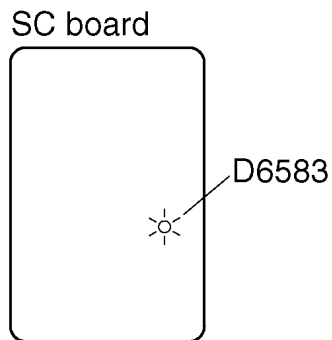
1. No lit



### 8.3. No Picture



Drive circuits LED indicator



### 8.4. Local screen failure

Plasma display may have local area failure on the screen. Fig - 1 is the possible defect P.C.B. for each local area.

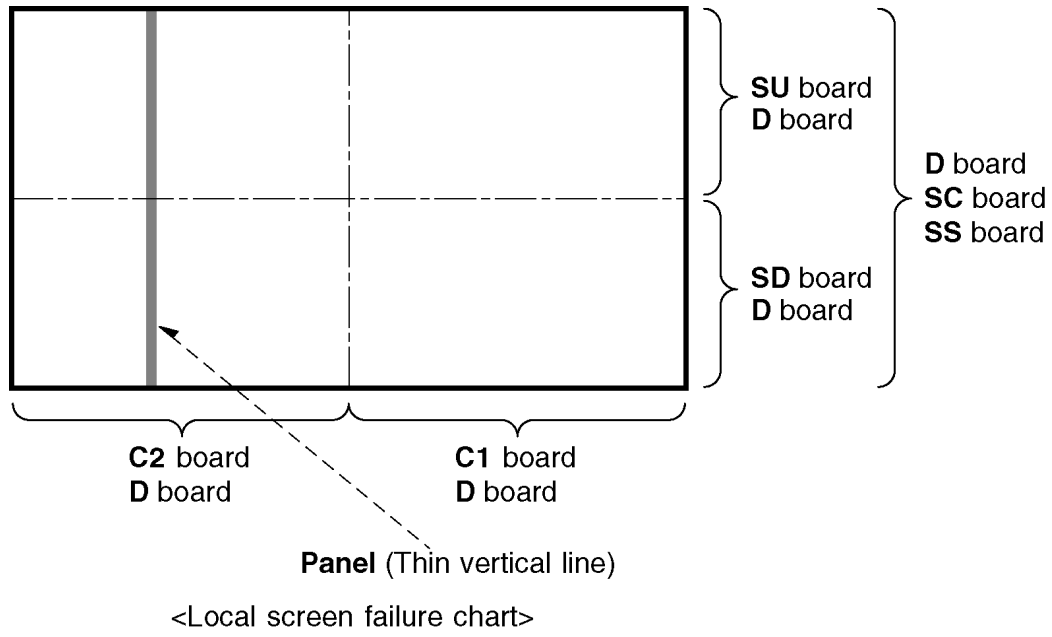


Fig - 1

## 9 Service Mode Function

MPU controls the functions switching for each IICs through IIC bus in this chassis. The following setting and adjustment can be adjusted by remote control in Service Mode.

### 9.1. How to enter SERVICE 1

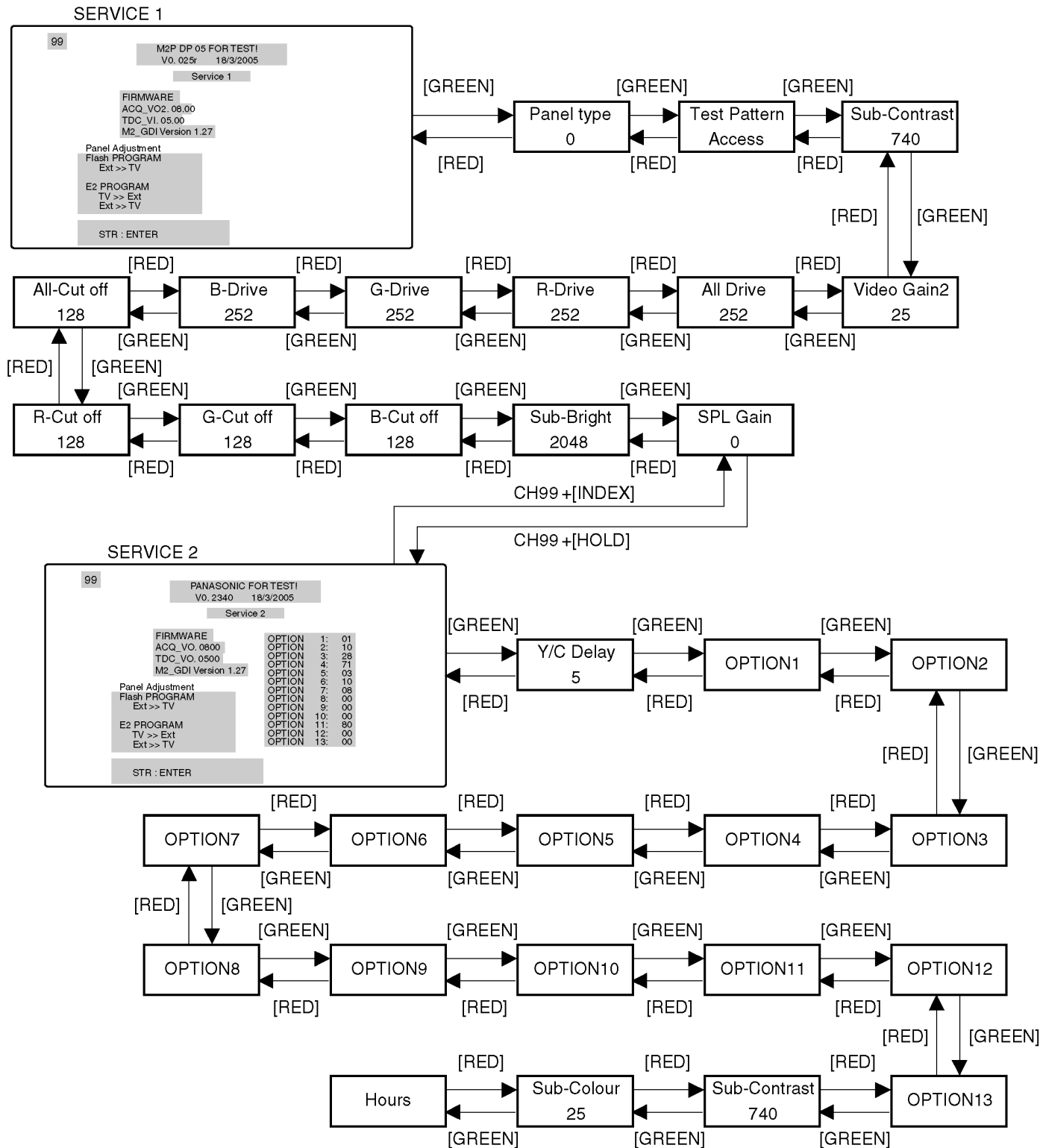
1. In sound menu, set BASS to MAXIMUM, and set TREBLE to MINIMUM.
2. Simultaneously press **INDEX** button on remote control and **DOWN** button [  $-\sqrt{\quad}$  ] on the TV set.

### 9.2. How to enter SERVICE 2

1. Set the channel to CH99.
2. Select the SPL Gain.
3. Press HOLD button on remote control.

**Note:**

To exit to Service mode, press N or Power button on remote control.



**Key Command**

- Press the **RED/GREEN** button to step up/down through the functions.
- Press the **YELLOW/BLUE** button to change the function values.
- Press the **OK** button after each adjustment has been made to store the required values.



### 9.3. Option Description

	PA50M		
<b>option1</b>	0F		
b0	1	Colour system	Auto(1)
b1	1		SECAM(1)
b2	1		NTSC(1)
b3	1		M.NTSC(1)
b4	0	A2 select 6.5MHz	5.742MHz(0) 6.742MHz(1)
b5	0	SIF	4.5 / 5.5 / 6.0 / 6.5(0), 5.5 / 6.0 / 6.5(1)
b6	0		5.5 / 6.5(2), 6.0 / 6.5(3)
b7	0	free	
<b>option2</b>	E2		
b0	0	A2 enable	4.5(1)
b1	1		5.5(1)
b2	0		6.0(1)
b3	0		6.5(1)
b4	0	NICAM enable	4.5(1)
b5	1		5.5(1)
b6	1		6.0(1)
b7	1		6.5(1)
<b>option3</b>	1B		
b0	1	SASO enable	SASO enable(1)
b1	1	Fine tuning	Enable(1)
b2	0	Search speed	Slow(1) Fast(0)
b3	1	Tuner	MACO tuner (1), Others (0)
b4	1	HYPHER	UHF only (0), UHF/VHF (1)
b5	0	IF I2C	I2C controlled Tuner IF module (1)
b6	0	NICAM C4 bit	enable(1)
b7	0	Blue Back	BLUE BACK on/off selection in menu(0)
<b>option4</b>	48		
b0	0	Aspect AUTO	enable(1)
b1	0	S1/S2 enable	enable(1)
b2	0	ID-1	enable(1)
b3	1	User aspect Just	enable(1)
b4	0	User aspect 14:9	enable(1)
b5	0	ALBD 14:9	14:9 enable, Zoom3 disable at self wide(1) / Zoom1, Zoom3 enable at self wide (0)
b6	1	TEXT	enable(1)
b7	0	TEXT TOP	TOP enable (1)
<b>option5</b>	1B		
b0	1	CH Blanking	Blanking enable (1)
b1	1	AV Blanking	Blanking enable (1)
b2	0	Noise mute	Noise mute enable(0)
b3	1	sub picture	without sub-picture(0), with sub-picture(1)
b4	1	2tuner	2tuner(1), 1tuner(0)
b5	0	AV Input	3rotation(1) / 2rotation without front RCA (0)
b6	0	Panel (LCD)	Samsung Panel(1) / SHARP Panel(0)
b7	0	Large size (LCD)	32(1) / 26(0) for LCD
<b>option6</b>	00		
b0	0	SD module	with SD module (1)
b1	0	SD module Ext.Rec(PAL)	enable(1)
b2	0	SD module Ext.Rec(NTSC)	enable(1)
b3	0	SD module Ext.Rec(SECAM)	enable(1)
b4	0	IDTV	enable(1)
b5	0	HDMI	enable(1)
b6	0	Ext. HV input	without HV input(0) / with HV input(1)
b7	0	PC	enable(1)
<b>option7</b>	B1		
b0	1	Asia	Asia(1), europe(0)
b1	0	Australia	Australia(1)
b2	0	Ireland/India	India(1)
b3	0	UK/Korea	Korea(1)
b4	1	Lang1	Large(0) / Small(1)
b5	1	Lang2	OSD language, with Alabic
b6	0	Lower POS	Lower pos enable(1)
b7	1	Owner ID	Enable(1)

	PA50M		
<b>option8</b>	40	<b>Euro option</b>	
b0	0	ACI all country	ACI enable(1), only Netherlands(0)
b1	0	ACI auto MP	ACI auto multi package enable (1)
b2	0	ACI offset	ACI offset for VCR prog. enable(1)
b3	0	Power up EC-Mode	Power on EC enable (1)
b4	0	AVLink	Q-Link off selectable in menu (1)
b5	0	Volume correction	TV Volume coorrection enable (1)
b6	1	MPX/NICAM display	Display NICAM (0), Display MPX (1)
b7	0	Albd Reset Off	enable(1)
<b>option9</b>	FF		
b0	1	CH Plan	ASIA / M.E. / HK/UK / CHINA(1)
b1	1		NZ/INDNES(1)
b2	1		AUSTRALIA(1)
b3	1		E.EUROPE(1)
b4	1		SPECIAL(1)
b5	1		AMERICA(1)
b6	1		CATV(1)
b7	1		JAPAN(1)
<b>option10</b>	6F		
b0	1	NICAM priority	ASIA/M.E.(1)
b1	1		HK / UK(1)
b2	1		CHINA(1)
b3	1		NZ / INDN(1)
b4	0		AUSTRALIA(1)
b5	1		E.EUROPE(1)
b6	1		SPECIAL(1)
b7	0	HDMI AVI Aspect	enable(1)
<b>option11</b>	C4	<b>Additional</b>	
b0	0	Remocon Type	Delux(1) / Leader(0)
b1	0	Environment AI (PDP)	enable, with viewing mode auto (1) / disable, without viewing mode auto(0)
b2	1	WSS14:9 off	WSS 14:9 off (1)
b3	0	IRD Reset Check	ON(1) / OFF(0)
b4	0	IRD Polling Check	ON(1) / OFF(0)
b5	0	Contrast AI	enable(1) * LCD Only
b6	1	Exdac4 Slave address	0x9e(1) / 0x98(0) * PDP Only
b7	1	PanelMCUNew	NewMCU(1) / OldMCU(0) :: temp * PDP Only
<b>option12</b>	09	<b>Additional 2</b>	
b0	1	Aspect memory	evry input source(1) / common(0)
b1	0	s / yuv detect(Factory)	enable(0) *LCD Only
b2	0	Text Ch Refresh	enable(1)
b3	1	Still by Hold-Key	disable(1)
b4	0	free	
b5	0	free	
b6	0	free	
b7	0	free	

## 9.4. Option Code Setting

If the memory IC (IC1107) or DG Board is replaced, option code should be re-memorized.

Spare part of IC1107 is already memorized all Data for TH-37/42PA50M.

If you use for other model, you should re-memorized the different option code in SERVICE 2 mode.

Option No.	PA50A	PA50H	PA50M
OPTION1	40	0F	0F
OPTION2	22	E2	E2
OPTION3	3A	1E	1B
OPTION4	D8	48	48
OPTION5	0B	1B	1B
OPTION6	00	00	00
OPTION7	93	A1	B1
OPTION8	40	40	40
OPTION9	06	FF	FF
OPTION10	08	6F	6F
OPTION11	C4	C4	C4
OPTION12	09	09	09
OPTION13	00	00	00

# 10 Adjustment Procedure

## 10.1. Driver Set-up

### 10.1.1. Item / Preparation

1. Input an APL 100 % white signal.
2. Set the picture controls: -
  - Picture mode: Normal
  - White balance: Cool
  - Aspect: 16:9

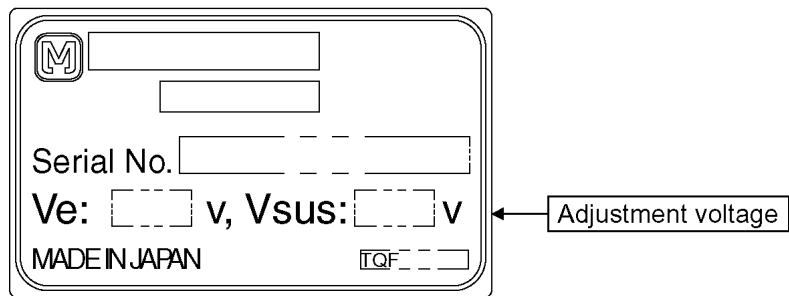
### 10.1.2. Adjustments

Adjust driver section voltages referring the panel data on the panel data label.

Name	Test Point	Voltage	Volume	Remarks
Vsus	TPVSUS (SS)	Vsus ± 1V	R628 (P)	*
Ve	TPVE (SS)	Ve ± 1V	VR6074 (SS)	*
Vset	TPVSET (SC)	232V ± 6V	Fixed	
Vad	TPVAD (SC)	-90V ± 1V	VR6477 (SC)	
Vscn	TPVSCN (SC)	Vad +120V ± 3V	Fixed	
Vda	TPVDA (SS)	67V ± 1V	R665 (P)	
PFC	C448 (+)(-)	395V ± 0.5V	R443 (P)	
Vlow	C557 (+)(-)	73V ± 0.1V	R661 (P)	load current : 0.4A
Csus	TPVsus	164V ± 0.5V	R671 (P)	load current : 1.45A

\*See the Panel label.

Panel Label information

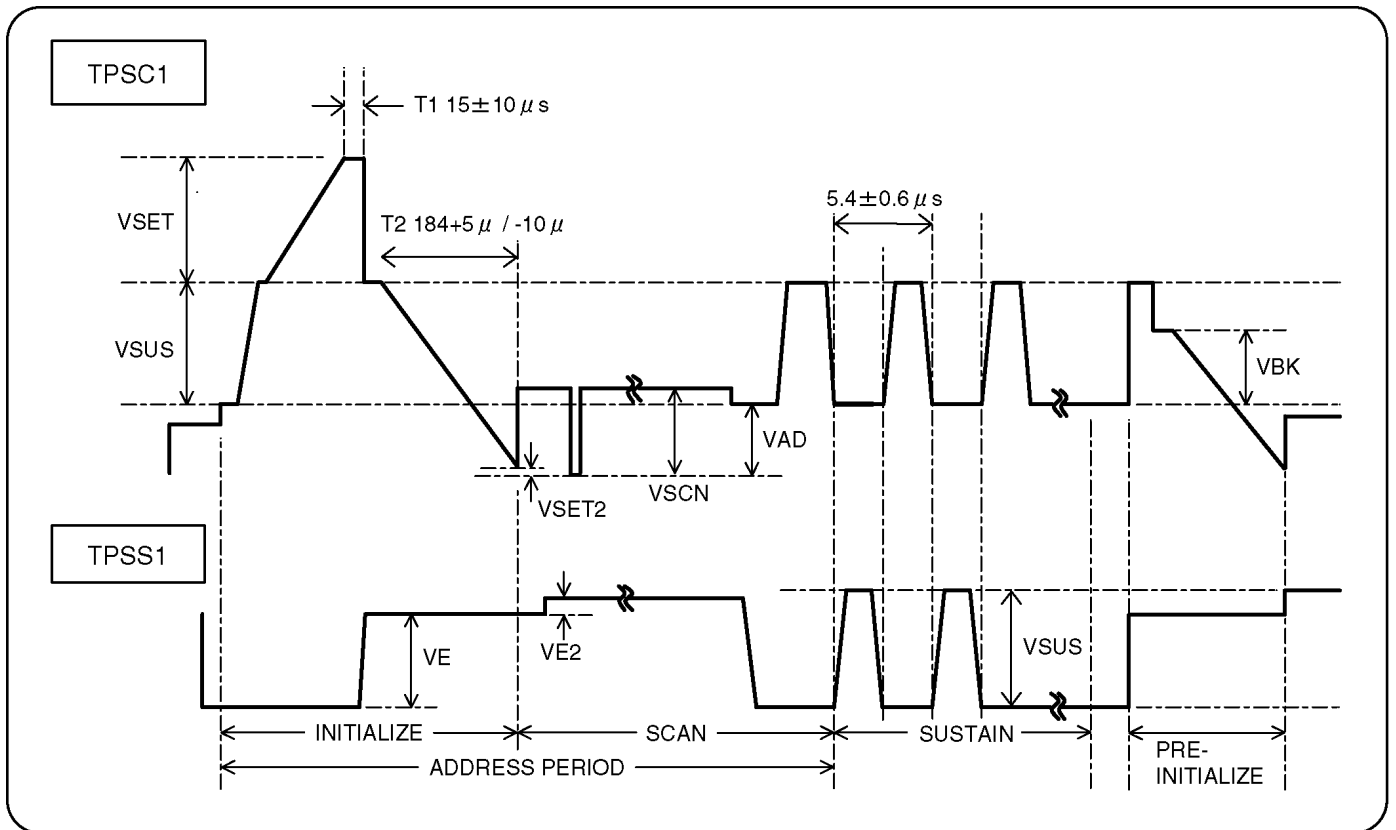


## 10.2. Initialization Pulse Adjust

1. Input a Cross hatch signal.
2. Set the picture controls: -  
 Picture mode: Normal  
 White balance: Cool

Adjust the indicated test point for the specified wave form.

	Test point	Volume	Level
T1	TPSC1 (SC)	---	$15 \pm 10\mu$ Sec
T2	TPSS1 (SS)	VR6557 (SC)	$184 + 5\mu / - 10\mu$ Sec



### 10.3. P.C.B. (Printed Circuit Board) exchange

#### 10.3.1. Caution

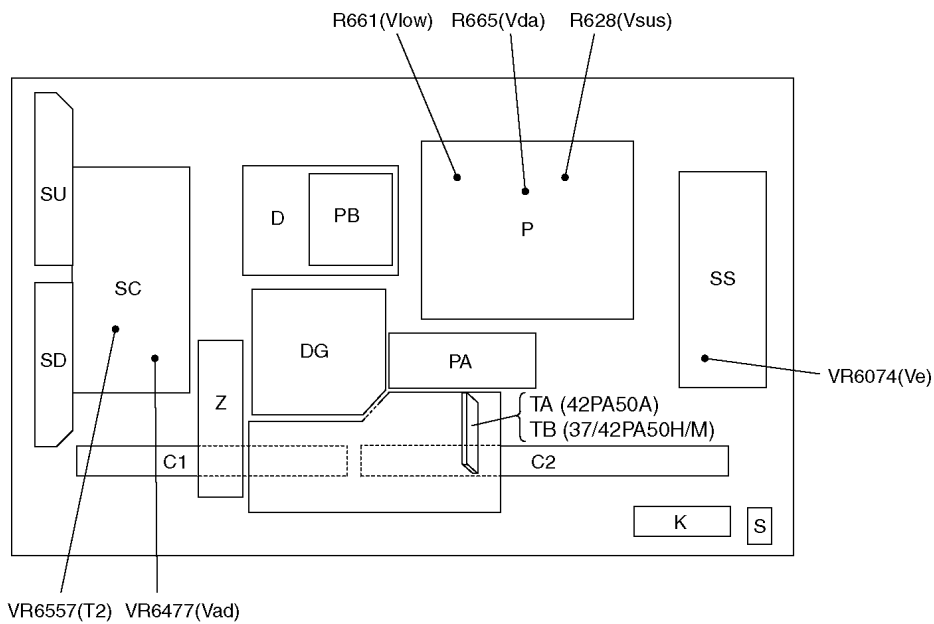
1. To remove P.C.B. , wait 1 minute after power was off for discharge from electrolysis capacitors.

#### 10.3.2. Quick adjustment after P.C.B. exchange

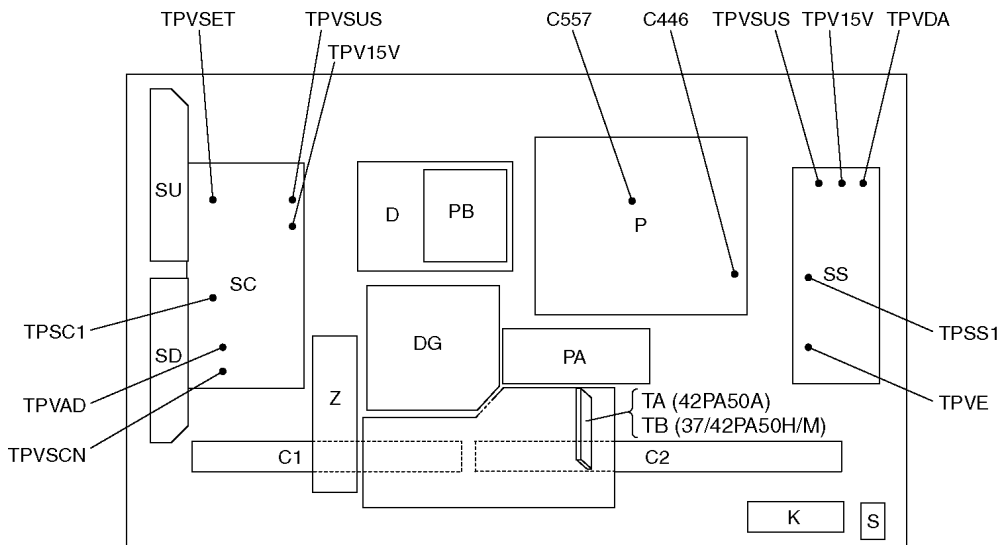
P.C.B.	Name	Test Point	Voltage	Volume	Remarks
P Board	Vsus	TPVSUS (SS)	$V_{sus} \pm 1V$	R628 (P)	*
	Vda	TPVDA (SS)	$67V \pm 1V$	R665 (P)	
	PFC	C446 (+) (-) (P)	$395V \pm 0.5V$	R443 (P)	
	Vlow	C557 (+) (-) (P)	$73V \pm 0.1V$	R661 (P)	load current : 0.4A
	Csus	TPVSUS (SS)	$164V \pm 0.5V$	R671 (P)	load current : 1.45A
SC Board	Vad	TPVAD (SC)	$-90V \pm 1V$	VR6477 (SC)	
SS Board	Ve	TPVE (SS)	$V_e \pm 1V$	VR6074 (SS)	*
D, DG Board	White blanc, Pedestal and Sub brightness for NTSC, PAL, HD, PC and 625i signals				

\*See the Panel label.

### 10.4. Adjustment Volume Location

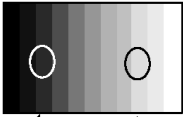


### 10.5. Test Point Location

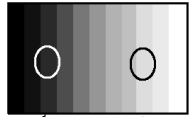


# 11 Adjustment

## 11.1. PAL panel white balance adjustment


Instrument Name	Connection	Remarks																																												
<ul style="list-style-type: none"> <li>W/B pattern</li> <li>Color analyzer (Minolta CA-100 or equivalent)</li> </ul>	RF input Panel surface	User setting: Normal																																												
Procedure		Remarks																																												
<ul style="list-style-type: none"> <li>Ensure aging is adequate (Longer than 15min.)</li> <li>Make sure the front panel to be used on the final set is fitted.</li> <li>Make sure a color signal is not being shown before adjustment.</li> <li>Put the color analyzer where there is little color variation.</li> <li>Complete the adjustment within 10 minutes after the turn on electricity.</li> </ul> <p>Turn on the power supply again where it is not possible to complete it by aging etc.</p> <ol style="list-style-type: none"> <li>Display the white balance pattern.</li> <li>Check that the color balance is "cool".</li> <li>Enter the "Service-Menu1" mode.</li> <li>Select "G-CUTOFF" item, using the color-key "Red" or "Blue", and set to "128", using the color-key "Yellow" or "Green". Also, "B-CUTOFF" and "R-CUTOFF" set to "128"</li> <li>Set "G-DRIVE" at "224".</li> <li>Touch the signal receiver of color analyzer to the highlight window's center, and adjust B drive and R drive so x, y become the "Color balance Cool" in the below table.</li> <li>Set "ALL-DRIVE" to "252".</li> <li>Set colorbalance to "Normal".</li> <li>Fix G cutoff , B cutoff and R cutoff at "128".</li> <li>Fix G drive at "224".</li> <li>Adjust B drive and R drive so the highlight window's x, y become the "Color balance "Normal" in the below table.</li> <li>Set "ALL-DRIVE" to "252".</li> <li>Set color balance to "Warm".</li> <li>Set G cutoff, B cutoff and R cutoff to "128".</li> <li>Set G drive to "224".</li> <li>Adjust B drive and R drive so the highlight window's x, y become the "Color balance Warm" shown in the below table.</li> <li>Set "ALL-DRIVE" to "252".</li> </ol> <p>Table 1, Color balance target value</p> <table border="1"> <thead> <tr> <th>Color temperature</th> <th>x</th> <th>y</th> </tr> </thead> <tbody> <tr> <td>Cool</td> <td>0.276</td> <td>0.276</td> </tr> <tr> <td>Normal</td> <td>0.288</td> <td>0.296</td> </tr> <tr> <td>Warm</td> <td>0.313</td> <td>0.329</td> </tr> </tbody> </table> <p>Table 2, Cut off data addresses (PAL)</p> <table border="1"> <thead> <tr> <th>Color temperature</th> <th>R</th> <th>G</th> <th>B</th> </tr> </thead> <tbody> <tr> <td>Cool</td> <td>A0-024B</td> <td>A0-024E</td> <td>A0-0251</td> </tr> <tr> <td>Normal</td> <td>A0-024A</td> <td>A0-024D</td> <td>A0-0250</td> </tr> <tr> <td>Warm</td> <td>A0-0249</td> <td>A0-024C</td> <td>A0-024F</td> </tr> </tbody> </table> <p>Table 3, Drive data addresses (PAL)</p> <table border="1"> <thead> <tr> <th>Color temperature</th> <th>R</th> <th>G</th> <th>B</th> </tr> </thead> <tbody> <tr> <td>Cool</td> <td>A0-0239</td> <td>A0-023C</td> <td>A0-023F</td> </tr> <tr> <td>Normal</td> <td>A0-0238</td> <td>A0-023B</td> <td>A0-023E</td> </tr> <tr> <td>Warm</td> <td>A0-0237</td> <td>A0-023A</td> <td>A0-023D</td> </tr> </tbody> </table>		Color temperature	x	y	Cool	0.276	0.276	Normal	0.288	0.296	Warm	0.313	0.329	Color temperature	R	G	B	Cool	A0-024B	A0-024E	A0-0251	Normal	A0-024A	A0-024D	A0-0250	Warm	A0-0249	A0-024C	A0-024F	Color temperature	R	G	B	Cool	A0-0239	A0-023C	A0-023F	Normal	A0-0238	A0-023B	A0-023E	Warm	A0-0237	A0-023A	A0-023D	<p>Picture menu : Dynamic ASPECT : 16:9</p> <ul style="list-style-type: none"> <li>Highlight section Signal amplitude 75%</li> </ul> <p>PAL White Balance Pattern</p>  <p>High light 75% Low light 15%</p>
Color temperature	x	y																																												
Cool	0.276	0.276																																												
Normal	0.288	0.296																																												
Warm	0.313	0.329																																												
Color temperature	R	G	B																																											
Cool	A0-024B	A0-024E	A0-0251																																											
Normal	A0-024A	A0-024D	A0-0250																																											
Warm	A0-0249	A0-024C	A0-024F																																											
Color temperature	R	G	B																																											
Cool	A0-0239	A0-023C	A0-023F																																											
Normal	A0-0238	A0-023B	A0-023E																																											
Warm	A0-0237	A0-023A	A0-023D																																											

## 11.2. 1080i white balance adjustment

Instrument Name	Connection	Remarks																																												
<ul style="list-style-type: none"> <li>1080i W/B pattern</li> <li>Color analyzer (Minolta CA-100 or equivalent)</li> </ul>	Component terminal Panel surface	User setting: Normal																																												
<p style="text-align: center;">Procedure</p> <ul style="list-style-type: none"> <li>Ensure aging is adequate (Longer than 15min.)</li> <li>Make sure the front panel to be used on the final set is fitted.</li> <li>Make sure a color signal is not being shown before adjustment.</li> <li>Put the color analyzer where there is little color variation.</li> <li>Complete the adjustment within 10 minutes after the turn on electricity.</li> </ul> <p>Turn on the power supply again when it is not possible to complete it by aging etc.</p> <ol style="list-style-type: none"> <li>Display the white balance pattern.</li> <li>Check that the color balance is "cool".</li> <li>Enter the "Service-Menu1" mode.</li> <li>Select "G-CUTOFF" item, using the color-key "Red" or "Green", and set to "128", using the color-key "Yellow" or "Blue". Also, "B-CUTOFF" and "R-CUTOFF" set to "128"</li> <li>Set "G-DRIVE" at "224".</li> <li>Touch the signal receiver of color analyzer to the highlight window's center, and adjust B drive and R drive so x, y become the "Color balance Cool" in the below table.</li> <li>Set "ALL-DRIVE" to "252".</li> <li>Set colorbalance to "Normal".</li> <li>Fix G cutoff , B cutoff and R cutoff at "128".</li> <li>Fix G drive at "224".</li> <li>Adjust B drive and R drive so the highlight window's x, y become the "Color balance "Normal" in the below table.</li> <li>Set "ALL-DRIVE" to "252".</li> <li>Set color balance to "Warm".</li> <li>Set G cutoff, B cutoff and R cutoff to "128".</li> <li>Set G drive to "224".</li> <li>Adjust B drive and R drive so the highlight window's x, y become the "Color balance Warm" shown in the below table.</li> <li>Set "ALL-DRIVE" to "252".</li> </ol> <p>Table 1, Color balance target value</p> <table border="1"> <thead> <tr> <th></th> <th>x</th> <th>y</th> </tr> </thead> <tbody> <tr> <td>Cool</td> <td>0.276</td> <td>0.276</td> </tr> <tr> <td>Normal</td> <td>0.288</td> <td>0.296</td> </tr> <tr> <td>Warm</td> <td>0.313</td> <td>0.329</td> </tr> </tbody> </table> <p>Table 2, Cut off data address (HD/PC)</p> <table border="1"> <thead> <tr> <th>Color balance</th> <th>R</th> <th>G</th> <th>B</th> </tr> </thead> <tbody> <tr> <td>Cool</td> <td>A0-0254</td> <td>A0-0257</td> <td>A0-025A</td> </tr> <tr> <td>Normal</td> <td>A0-0253</td> <td>A0-0256</td> <td>A0-0259</td> </tr> <tr> <td>Warm</td> <td>A0-0252</td> <td>A0-0255</td> <td>A0-0258</td> </tr> </tbody> </table> <p>Table 3, Drive data address (HD/PC)</p> <table border="1"> <thead> <tr> <th>Color balance</th> <th>R</th> <th>G</th> <th>B</th> </tr> </thead> <tbody> <tr> <td>Cool</td> <td>A0-0242</td> <td>A0-0245</td> <td>A0-0248</td> </tr> <tr> <td>Normal</td> <td>A0-0241</td> <td>A0-0244</td> <td>A0-0247</td> </tr> <tr> <td>Warm</td> <td>A0-0240</td> <td>A0-0243</td> <td>A0-0246</td> </tr> </tbody> </table>			x	y	Cool	0.276	0.276	Normal	0.288	0.296	Warm	0.313	0.329	Color balance	R	G	B	Cool	A0-0254	A0-0257	A0-025A	Normal	A0-0253	A0-0256	A0-0259	Warm	A0-0252	A0-0255	A0-0258	Color balance	R	G	B	Cool	A0-0242	A0-0245	A0-0248	Normal	A0-0241	A0-0244	A0-0247	Warm	A0-0240	A0-0243	A0-0246	<p>Remarks</p> <p>Picture menu: Dynamic ASPECT:16:9</p> <ul style="list-style-type: none"> <li>Highlight section Signal amplitude 75%</li> </ul> <p>1080i White Balance Pattern</p>  <p>* The Color balance COOL differs from Japanese model values.</p>
	x	y																																												
Cool	0.276	0.276																																												
Normal	0.288	0.296																																												
Warm	0.313	0.329																																												
Color balance	R	G	B																																											
Cool	A0-0254	A0-0257	A0-025A																																											
Normal	A0-0253	A0-0256	A0-0259																																											
Warm	A0-0252	A0-0255	A0-0258																																											
Color balance	R	G	B																																											
Cool	A0-0242	A0-0245	A0-0248																																											
Normal	A0-0241	A0-0244	A0-0247																																											
Warm	A0-0240	A0-0243	A0-0246																																											



### 11.3. Sub bright adjustment

Instrument Name	Connection	Remarks
1. PAL signal generator (or RF)	Connect to the input terminal	User setting: Normal
Procedure		Remarks
<ul style="list-style-type: none"> <li>Color balance adjustment is finished for each signal.</li> <li>Do adjustments in a dark room.</li> <li>Complete the adjustment within minutes after the turn on electricity.</li> </ul> <p>Turn on the power supply again when it is not possible to complete it by aging etc.</p> <ol style="list-style-type: none"> <li>Display the pattern for adjusting subbright from video input.</li> <li>Pull down SRQ of the panel D-Board to L.</li> <li>Use "Sub-Bright" in the "Service-Menu1" mode to adjust so the 6th section shows up and 7th fades away.</li> </ol> <div style="text-align: center;"> <p>PAL Sub Bright 10mV 0mV Pattern</p>  </div>		<p>Picture menu: Dynamic Color balance: Normal ASPECT: 16:9</p> <p>* If using RF ch.E04, (Sub-Bright test pattern), adjust so the 6th section shows up and the 7th fades away.</p>

### 11.4. ABL adjustment

Instrument Name	Connection	Remarks
1. HD signal emitter (or Leader: 1080i/No.9 Signal) 2. Wattmeter	COMPONENT input terminal Connect the AC power of the adjustment set to the wattmeter.	
Procedure		Remarks
<ul style="list-style-type: none"> <li>Make sure the set is aged for 30 minutes or more before adjustment. (Do not switch off during or after aging.)</li> <li>Voltage 230V 50Hz (variation within 1%)</li> <li>Volume at minimum and screen size at "16:9"</li> </ul> <p>Setting Component input, dynamic, standard</p> <ol style="list-style-type: none"> <li>Connect the set's AC power to the wattmeter.</li> <li>Input the Signal (top half: color bar, Bottom half: Horizontal losteps bar).</li> <li>Select the "APL MULT" item in the Service1.</li> <li>Adjust APL MULT so the set's power consumption is <ul style="list-style-type: none"> <li>TH-37PA50H/M 239(+5/-10)w</li> <li>TH-42PA50A/H/M 309(+5/-10)w</li> </ul> </li> </ol> <ol style="list-style-type: none"> <li>The initial data are 0×1E for 37/42SD (A0-0626)</li> <li>The power and data are in reverse relationship (Lower the data to raise the power.) <ul style="list-style-type: none"> <li>Raising direction (↑):20 → 1F</li> <li>Lowering direction (↓):20 → 1A</li> </ul> </li> <li>There is a possibility that the adjustment value can do two places adjust it in that case, that the value of APL_MULT is large.</li> </ol>		<p>According to the line condition,100V can be used</p>

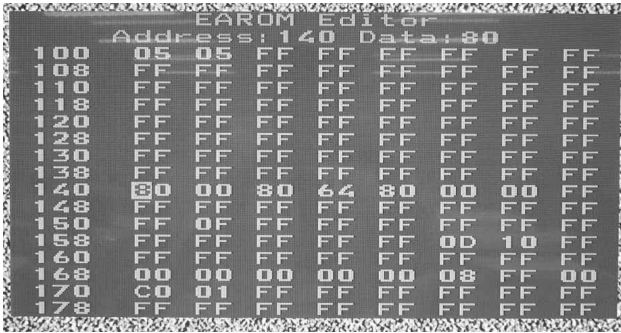
# 12 Hotel mode

## 1. Purpose

Restrict a function for hotels.

## 2. Access command

- Enter to the Service 2 Mode.
- Press Status button on remote control and entry to the EAROM EDITOR Mode.
- Press the RED/GREEN button to step up/down through the address.
- Press the YELLOW/BLUE button to step left/right through the address.
- Press the PROGRAMME UP/DOWN button to step up/down through the page.
- Press the VOLUME UP/DOWN button to change the function values.
- Set the data of EEPROM(ADDRESS 140) to 80.
- Press the OK button to memorize the data.



Push the Power switch(button) off/on the set(the remote control) to turn the set off/on.

It can be made Hotel mode.

## 3. Exit command

- First, set the data of EEPROM(ADDRESS 140) to 00.
- Next, Push the Power switch(button) off/on the set(the remote control) to turn the set off/on.
- Then, it is no longer hotel mode.

## 4. Access command to the Hotel mode setup menu

- Prerequisite : It is conditions that the data of EEPROM(ADDRESS 140) is 80.

In order to display the Hotel mode setup menu, please enter the following command (**within 2 second**).

[TV]:down + [REMOTE]:TV/AV(3 times)

Then, the Hotel mode setup menu is displayed.



## 5. Explain the Hotel mode setup menu

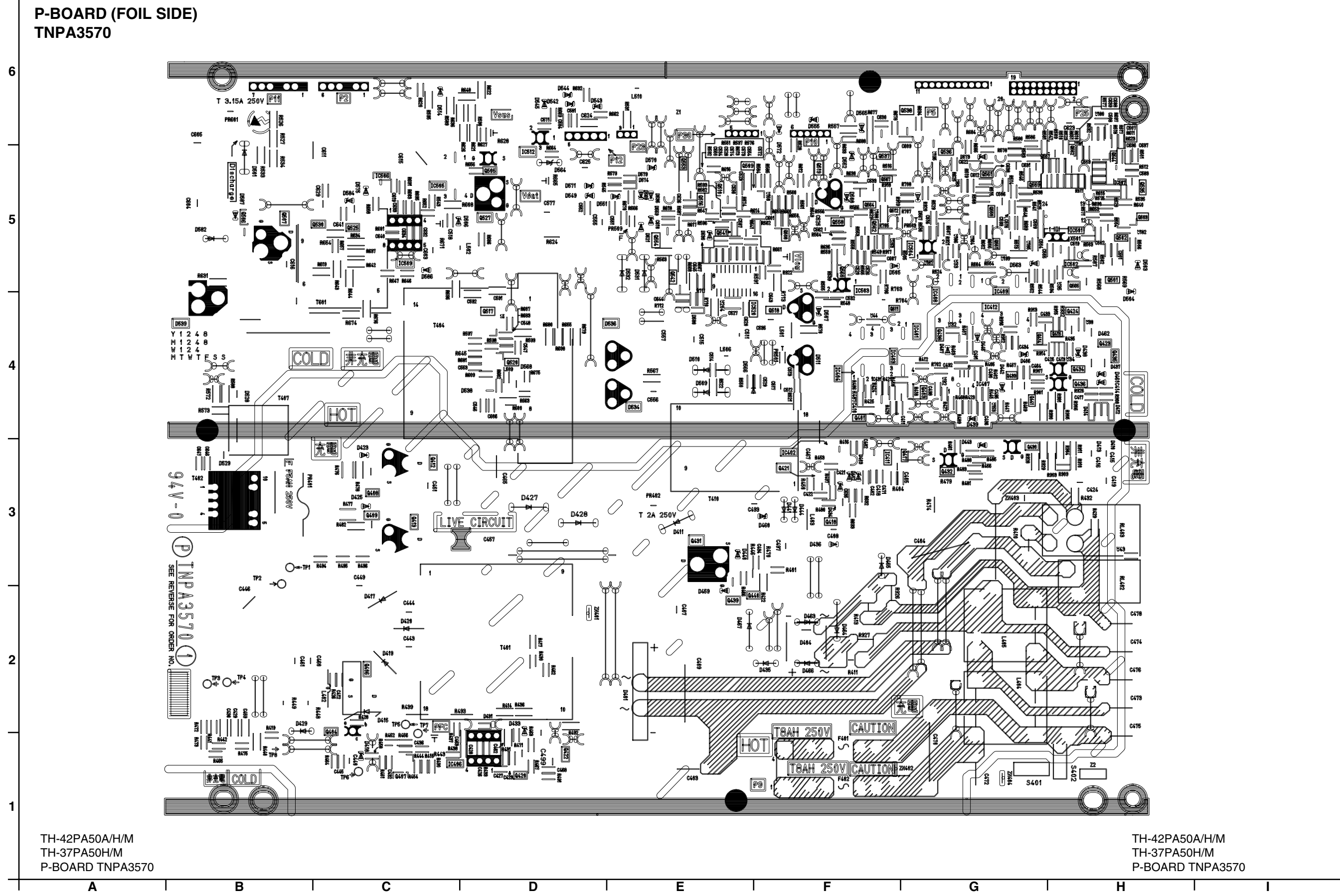
## CAUTION

This setup is not valid, unless data of EEPROM(ADDRESS 140) will be 00, even if each settings were done.

item	Function
Initial INPUT	Select input signal modes. Set this signal, each time power is switched on. Selection : Off/TV/AV1/AV2/AV2S/AV3/Av3S/AV4/Av4S/AV4 C/PC <ul style="list-style-type: none"> <li>• Off: give priority to a last memory. However, Euro model is compulsorily set to TV.</li> <li>• AVnS/AVnC: only Euro model selectable</li> <li>• PC: selectable with VGA option</li> </ul>
Initial VOL level	Adjust output Volume. Set this volume, each time power is switched on. If the value of InitVol is changed, volume will change. However, priority is given to a last memory when InitVol is Off. When "InitVol" is larger than "MaxVol", make "InitVol" and "MaxVol" the same. Selection/Range : Off/0 to 100 <ul style="list-style-type: none"> <li>• Off: give priority to a last memory</li> </ul>
Maximum VOL level	Adjust maximum volume. Set this max. volume, each time power is switched on. When "MaxVol" is smaller than "InitVol", make "MaxVol" and "InitVol" the same, if "InitVol" is not Off. Range : 0 to 100
Initial POS	Select programme number. Set this programme number, each time power is switched on. Selection : Off/0 to 99 (Euro model) <ul style="list-style-type: none"> <li>• Off: give priority to a last memory</li> </ul>
Button lock	Select local key conditions. Set this condition, each time power is switched on. Selection : Off/SETUPMENU/All <ul style="list-style-type: none"> <li>• Off: altogether valid</li> <li>• SETUP: restrict F-key selection (Tuning guide(menu) can not be selected.)</li> <li>• MENU: restrict F-key selection (only Volume/Mute can be selected.)</li> <li>• All: altogether invalid.</li> </ul>
Remote lock	Select remote control key conditions. Set this condition, each time power is switched on. Selection : Off/SETUP/MENU <ul style="list-style-type: none"> <li>• Off: altogether valid</li> <li>• SETUP: only Setup menu is invalid</li> <li>• MENU: Picture/Sound/Setup menu are invalid</li> </ul>

# 13 Conductor View

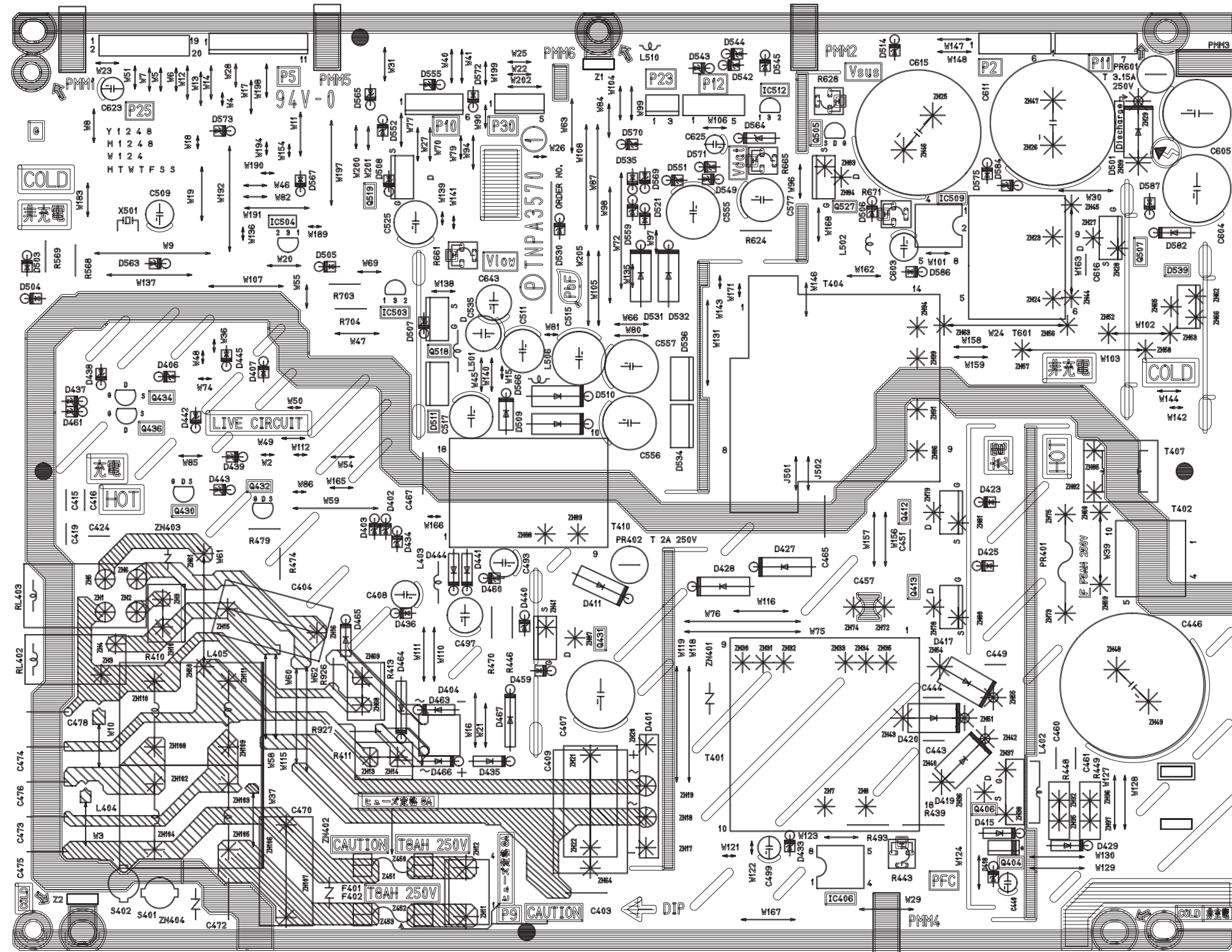
## 13.1. P-Board





**P-BOARD (COMPONENT SIDE)**  
**TNPA3570**

6  
5  
4  
3  
2  
1



TH-42PA50A/H/M  
TH-37PA50H/M  
P-BOARD TNPA3570

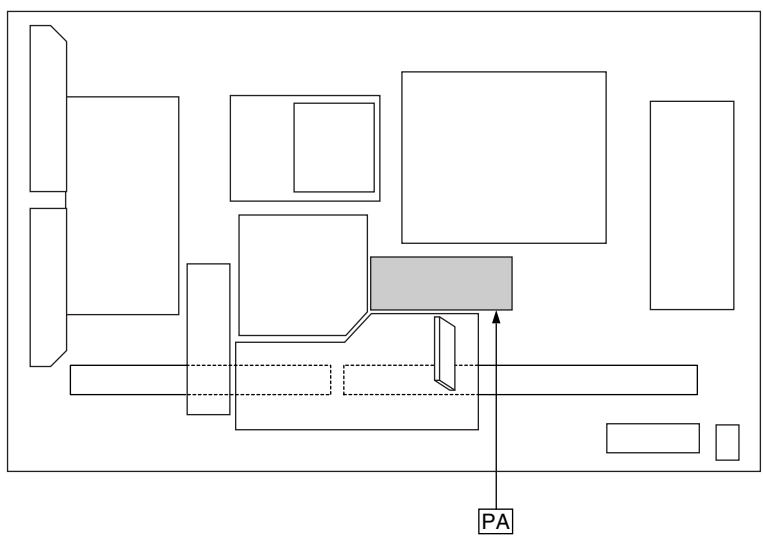
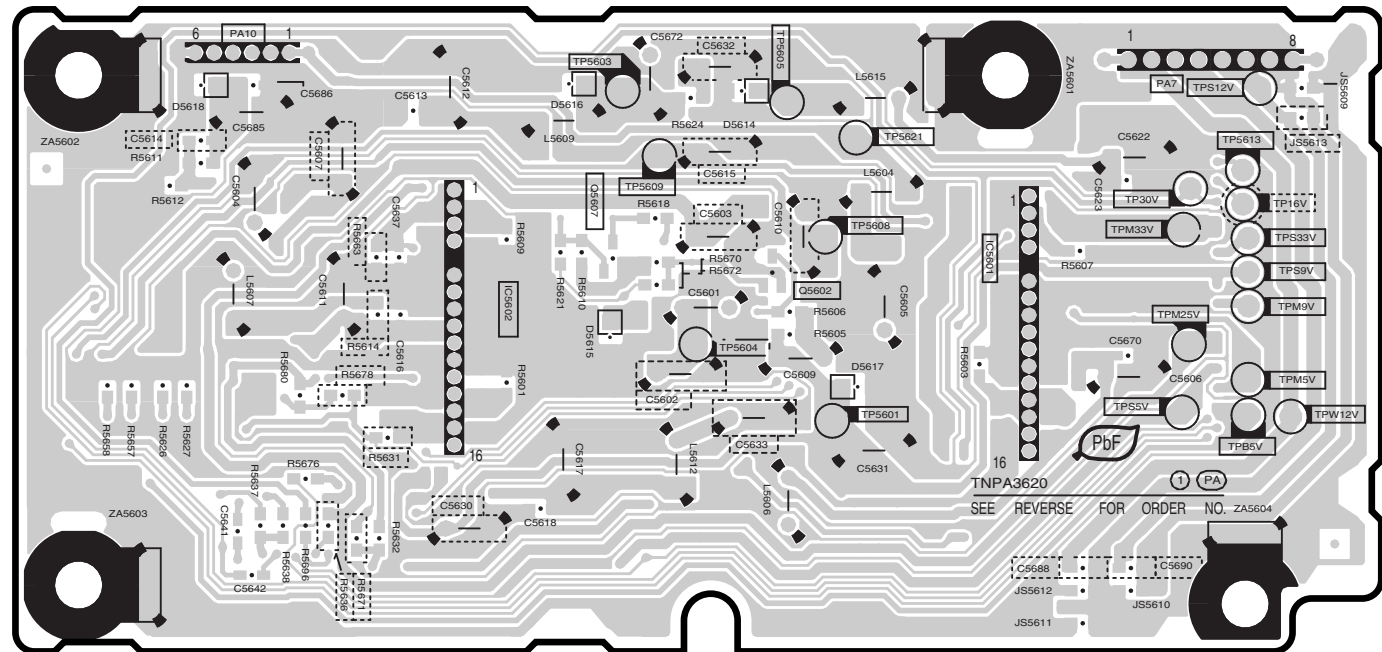
TH-42PA50A/H/M  
TH-37PA50H/M  
P-BOARD TNPA3570

A B C D E F G H I

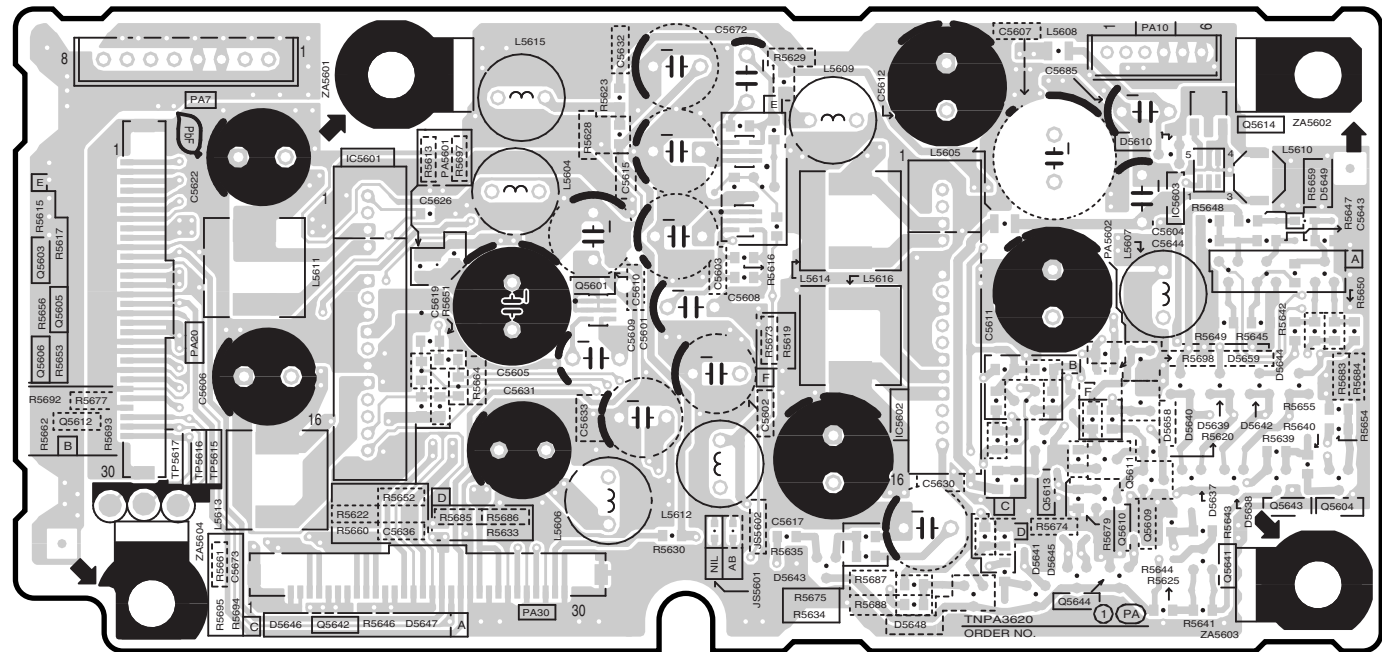
### 13.2. PA-Board

6  
5  
4  
3  
2  
1

**PA-BOARD(FOIL SIDE)  
TNPA3620AB**



**PA-BOARD(COMPONENT SIDE)  
TNPA3620AB**



**Parts Location**

PA-BOARD			
IC		TP	
IC5601	B-2	TP5601	C-4
IC5602	D-2	TP5603	C-5
IC5603	E-2	TP5604	C-4
TRANSISTOR		TP5605	C-5
		TP5608	C-5
Q5601	C-2	TP5609	C-5
Q5602	D-5	TP5621	C-5
Q5603	A-2	TP16V	E-5
Q5604	E-1	TP30V	E-5
Q5605	2	TPB5V	E-4
Q5606	A-2	TPM25V	E-5
Q5607	C-5	TPM33V	E-5
Q5609	E-1	TPM5V	E-5
Q5610	E-1	TPM9V	E-5
Q5612	A-2	TPS12V	E-5
Q5613	D-1	TPS33V	E-5
Q5614	E-3	TPS5V	E-4
Q5641	E-1	TPS9V	E-5
Q5642	B-1	TPW12V	E-4
Q5643	E-1		
Q5644	D-1		

TH-42PA50A/H/M  
TH-37PA50H/M  
PA-BOARD TNPA3620AB

TH-42PA50A/H/M  
TH-37PA50H/M  
PA-BOARD TNPA3620AB

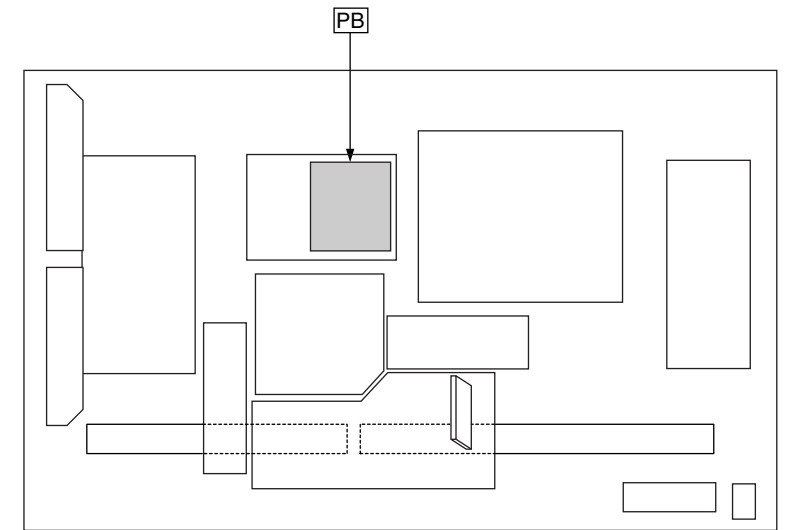
A B C D E F G H I

### 13.3. PB-Board

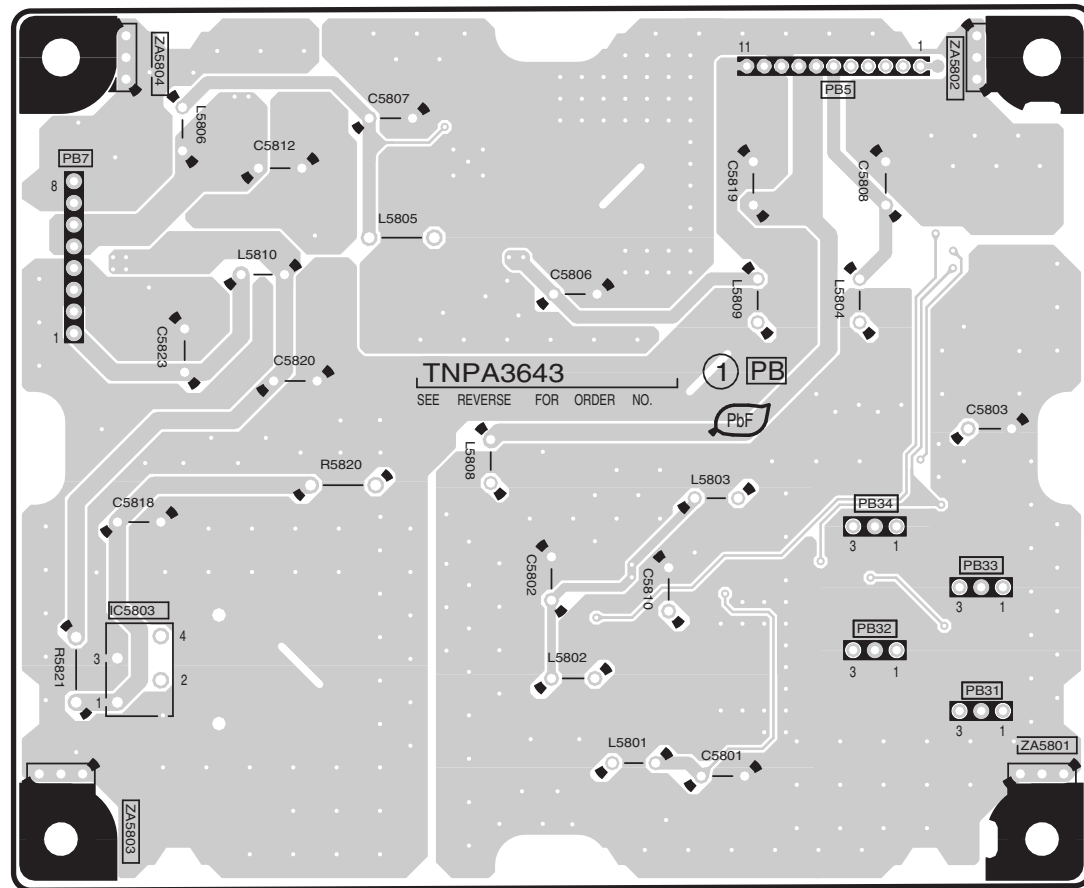
6  
5  
4  
3  
2  
1

#### Parts Location

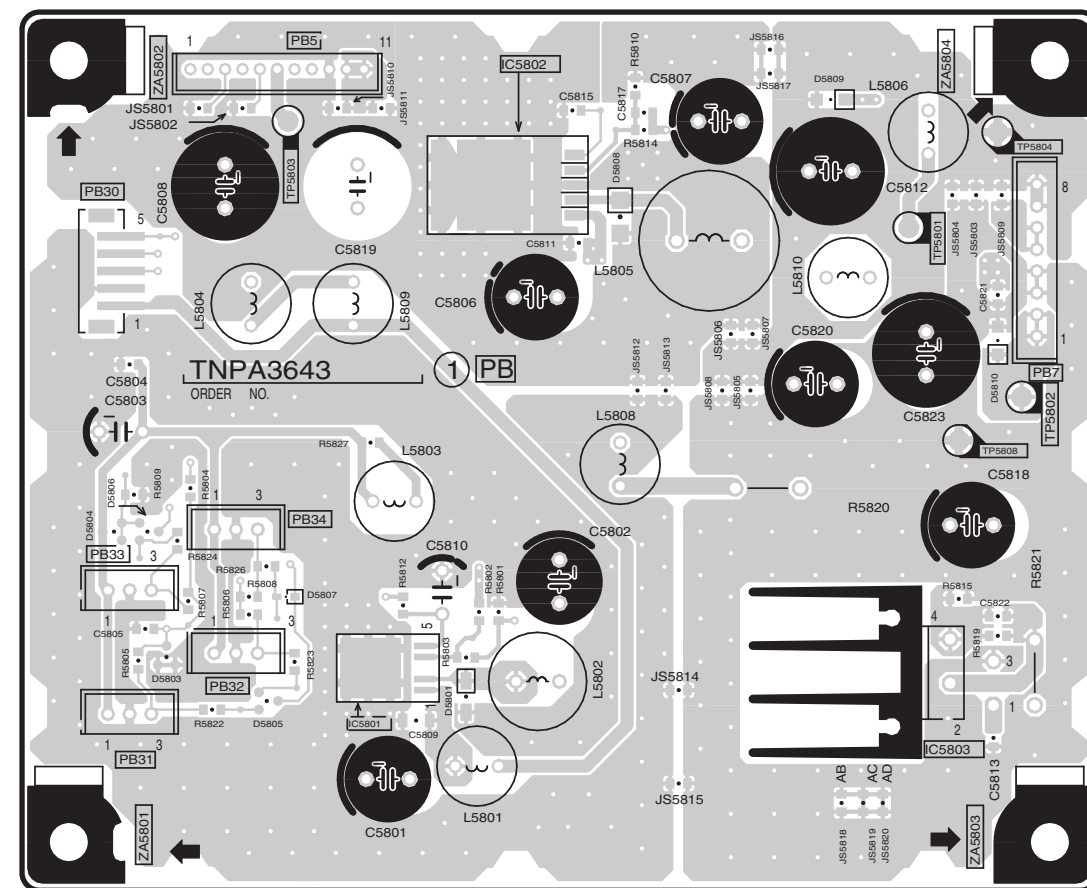
PB-BOARD			
IC		TP	
IC5801	F-1	TP5801	H-4
IC5802	G-4	TP5802	H-3
IC5803	H-1	TP5803	F-3
		TP5804	H-4
		TP5808	H-3



**PB-BOARD(FOIL SIDE)  
TNPA3643AB**



**PB-BOARD(COMPONENT SIDE)  
TNPA3643AB**



TH-42PA50A/H/M  
TH-37PA50H/M  
PB-BOARD TNPA3643AB

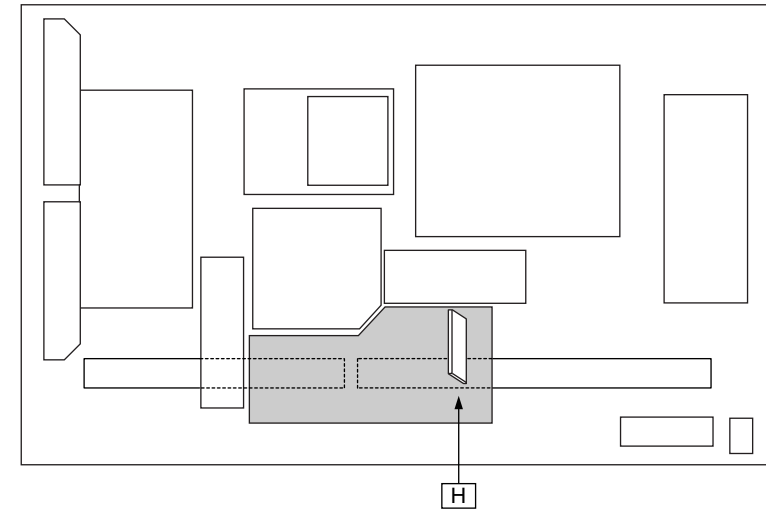
TH-42PA50A/H/M  
TH-37PA50H/M  
PB-BOARD TNPA3643AB

A B C D E F G H I

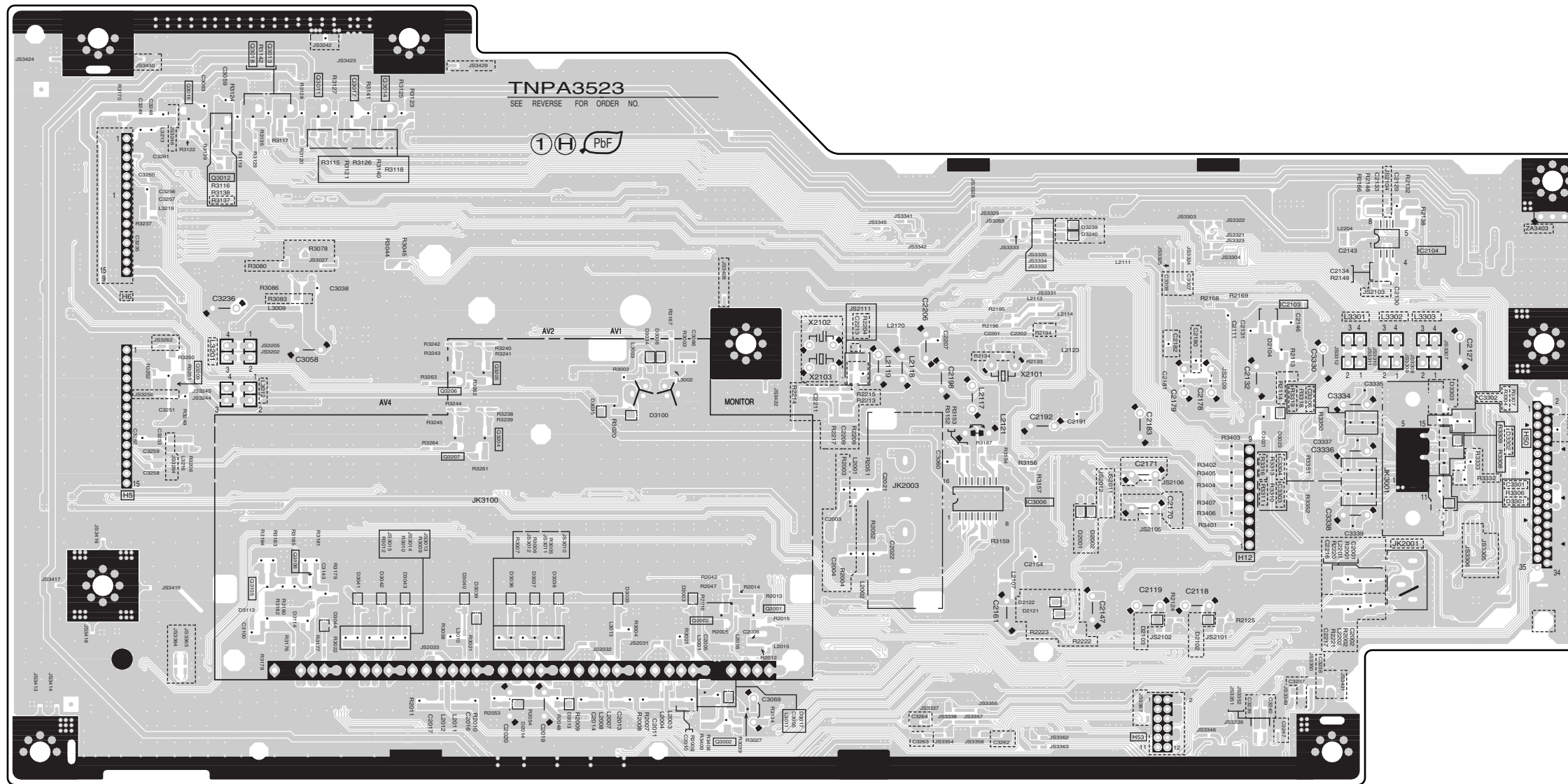
### 13.4. H-Board

#### Parts Location

H-BOARD (FOIL SIDE)			
IC		TRANSISTOR	
IC2103	G-3	Q2001	E-2
IC2104	H-3	Q2002	D-2
IC3006	F-2	Q3002	D-1
		Q3011	C-4
		Q3012	B-4
		Q3013	B-4
		Q3014	C-4
		Q3015	B-4
		Q3017	C-4
		Q3018	B-4
		Q3105	B-2
		Q3106	B-2
		Q3204	C-3
		Q3205	C-3
		Q3206	C-3
		Q3207	C-2
		Q3209	B-3



**H-BOARD (FOIL SIDE)**  
**TNPA3523AF (PA50A)**  
**TNPA3523AE (PA50H/M)**



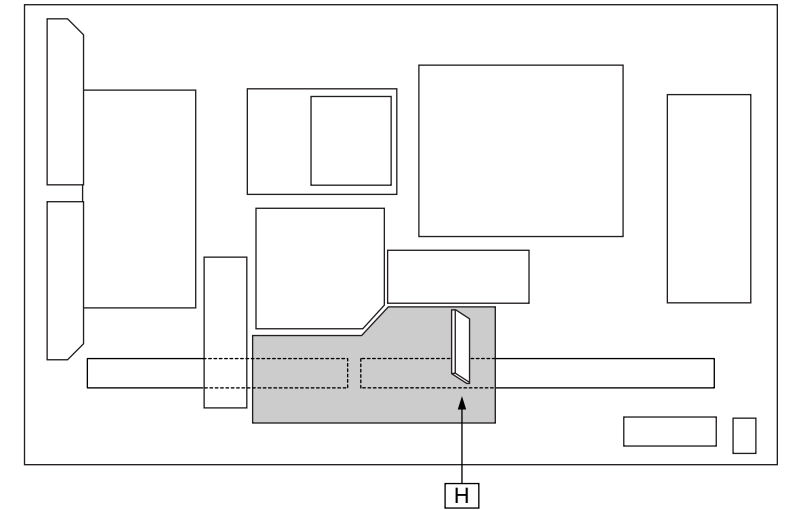
TH-42PA50A H-BOARD TNPA3523AF  
 TH-37/42PA50H/M H-BOARD TNPA3523AE

TH-42PA50A H-BOARD TNPA3523AF  
 TH-37/42PA50H/M H-BOARD TNPA3523AE



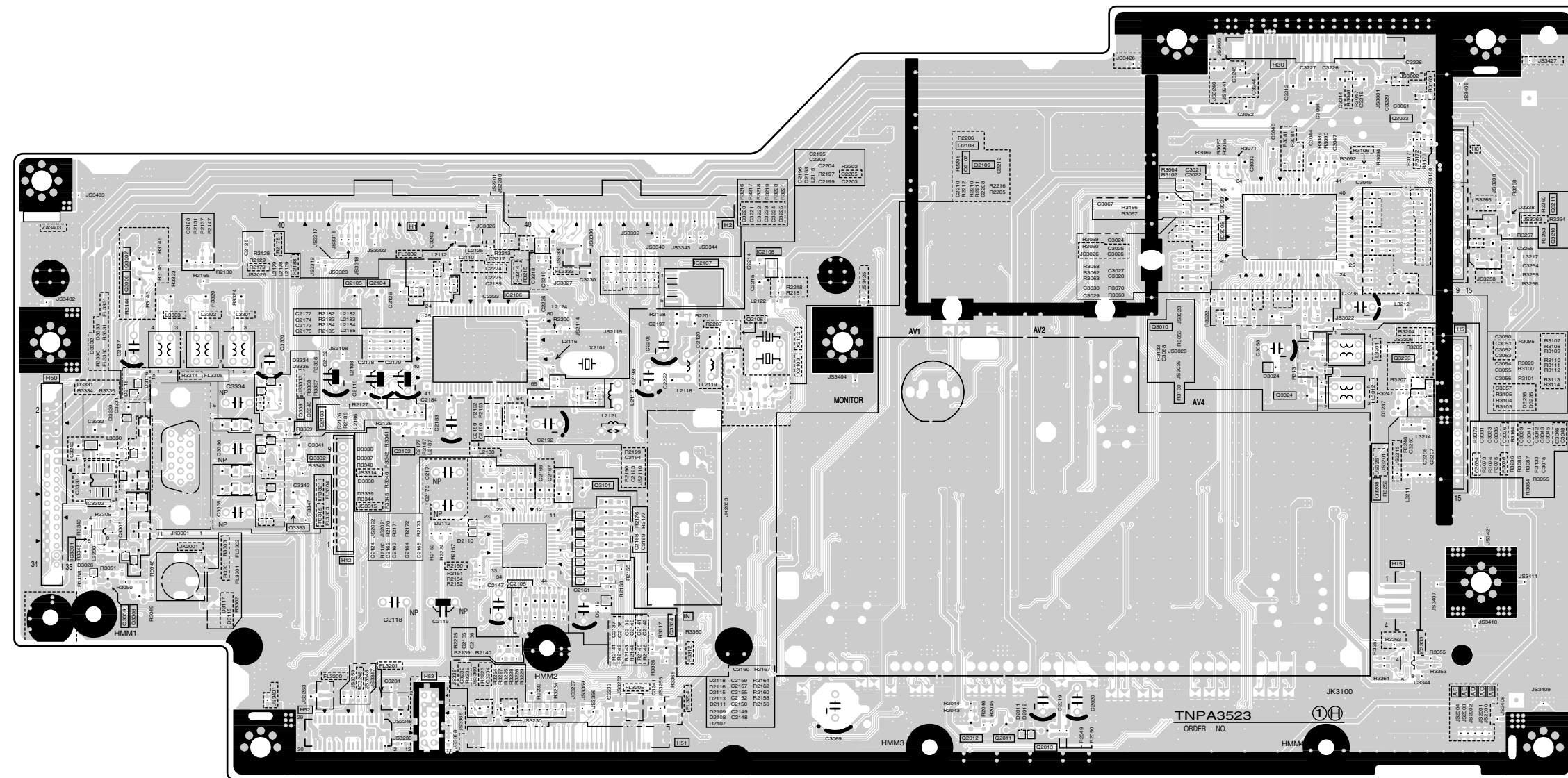
Parts Location

H-BOARD (COMPONENT SIDE)			
IC		Q2107	F-4
IC2105	C-2	Q2108	F-4
IC2106	C-3	Q2109	F-4
IC2107	D-3	Q3006	B-3
IC2108	E-3	Q3007	B-3
IC3005	G-3	Q3008	B-2
IC3301	A-2	Q3009	B-2
IC3302	A-2	Q3010	G-3
IC3303	H-2	Q3023	H-4
		Q3024	G-3
		Q3101	D-2
		Q3203	H-3
		Q3208	H-2
		Q3210	H-3
		Q3211	H-4
		Q3331	B-3
		Q3332	B-2
		Q3333	B-2
		Q3334	D-2
TRANSISTOR			
Q2011	F-1		
Q2012	F-1		
Q2013	F-1		
Q2102	C-2		
Q2103	C-3		
Q2104	C-3		
Q2105	C-3		
Q2106	E-3		



H-BOARD (COMPONENT SIDE)  
 TNPA3523AF (PA50A)  
 TNPA3523AE (PA50H/M)

6  
5  
4  
3  
2  
1



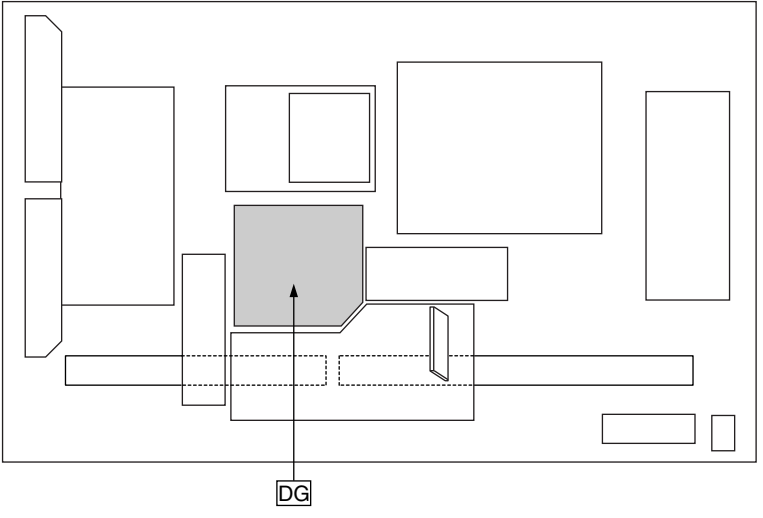
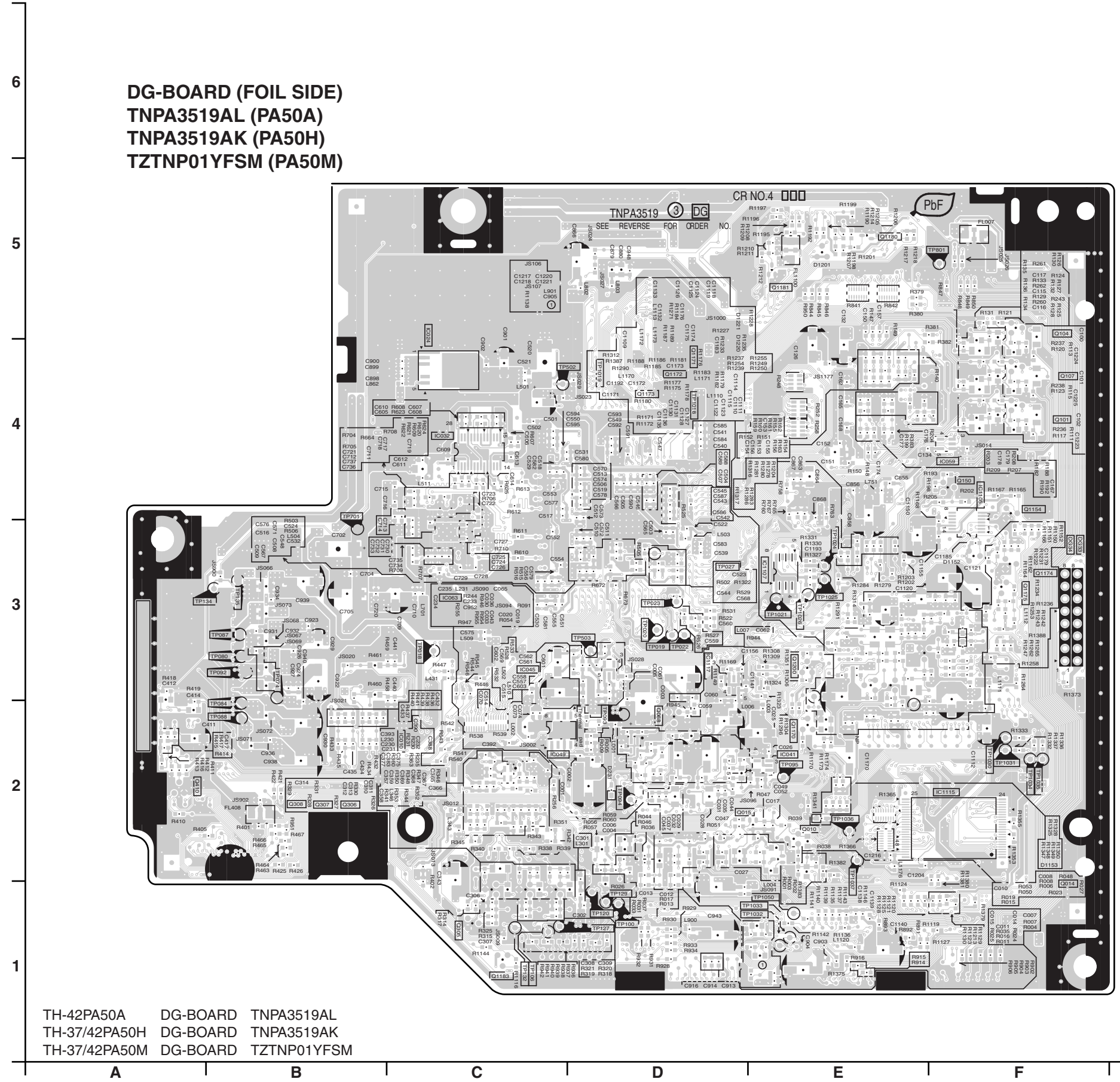
TH-42PA50A H-BOARD TNPA3523AF  
 TH-37/42PA50H/M H-BOARD TNPA3523AE

TH-42PA50A H-BOARD TNPA3523AF  
 TH-37/42PA50H/M H-BOARD TNPA3523AE

A B C D E F G H I

13.5. DG-Board

DG-BOARD (FOIL SIDE)  
 TNPA3519AL (PA50A)  
 TNPA3519AK (PA50H)  
 TZTNP01YFSM (PA50M)



Parts Location

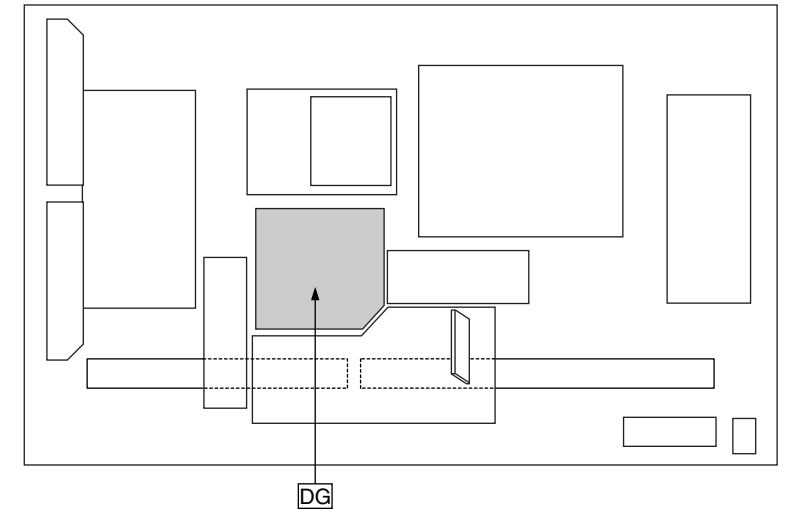
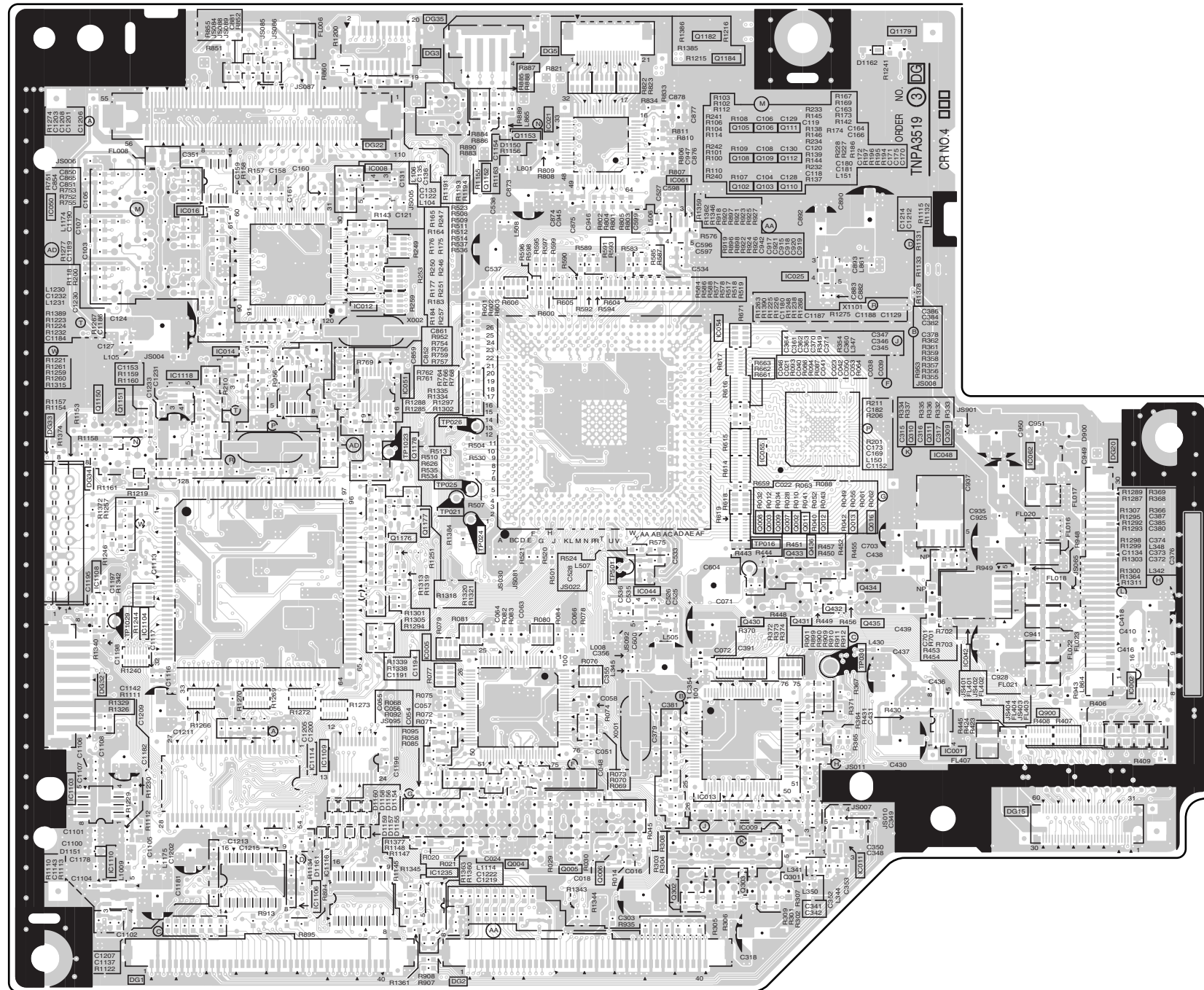
DG-BOARD (FOIL SIDE)					
IC		TRANSISTOR		TP	
IC1105	F-4	Q1154	F-4	TP1018	D-4
IC1107	E-3	Q1170	E-2	TP1019	D-4
IC1115	F-2	Q1171	D-4	TP1021	E-3
IC1117	D-3	Q1172	D-4	TP1024	E-3
IC4010	C-2	Q1173	D-4	TP1025	E-3
IC4024	C-5	Q1174	F-3	TP1026	E-3
IC4032	C-4	Q1175	F-3	TP1030	F-2
IC4041	E-2	Q1180	E-5	TP1031	F-2
IC4045	C-3	Q1181	E-5	TP1032	E-1
IC4049	C-2	Q1183	C-1	TP1033	E-1
IC4059	F-4	Q1200	E-3	TP1034	F-2
IC4063	C-3	Q4010	E-2	TP1035	F-2
		Q4014	F-1	TP1036	E-2
		Q4015	D-2	TP1037	E-2
		Q4068	D-2	TP1050	E-1
		Q4101	F-4	TP4018	C-3
		Q4104	F-5	TP4019	D-3
		Q4107	F-4	TP4020	D-3
		Q4150	F-4	TP4022	D-3
		Q4305	C-1	TP4023	D-3
		Q4306	B-2	TP4027	D-3
		Q4307	B-2	TP4074	B-3
		Q4308	B-2	TP4080	B-3
		Q4410	A-2	TP4084	B-2
				TP4087	B-3
				TP4088	B-2
				TP4092	B-3
				TP4093	D-2
				TP4094	D-2
				TP4095	E-2
				TP4100	D-1
				TP4106	C-1
				TP4120	D-1
				TP4127	D-1
				TP4129	D-1
				TP4132	C-1
				TP4134	B-3
				TP4135	B-3
				TP4502	C-4
				TP4503	D-3
				TP4701	B-4
				TP4801	F-5

TH-42PA50A DG-BOARD TNPA3519AL  
 TH-37/42PA50H DG-BOARD TNPA3519AK  
 TH-37/42PA50M DG-BOARD TZTNP01YFSM

TH-42PA50A DG-BOARD TNPA3519AL  
 TH-37/42PA50H DG-BOARD TNPA3519AK  
 TH-37/42PA50M DG-BOARD TZTNP01YFSM

**DG-BOARD (COMPONENT SIDE)**  
**TNPA3519AL (PA50A)**  
**TNPA3519AK (PA50H)**  
**TZTNP01YFSM (PA50M)**

6  
5  
4  
3  
2  
1



**Parts Location**

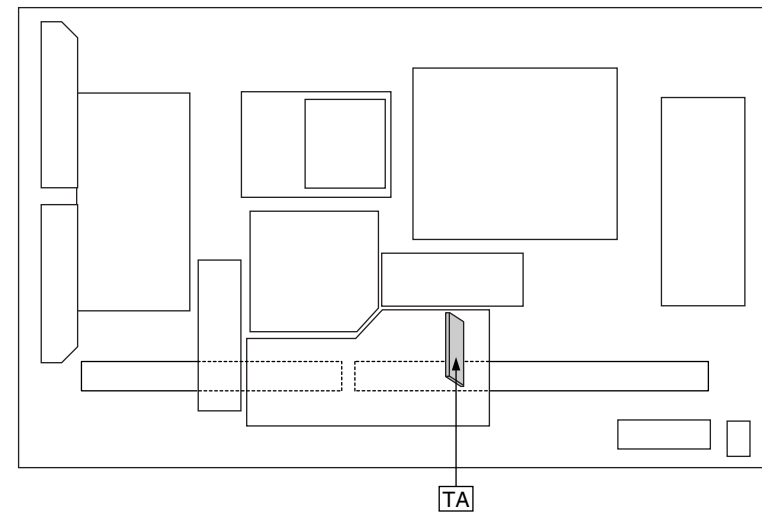
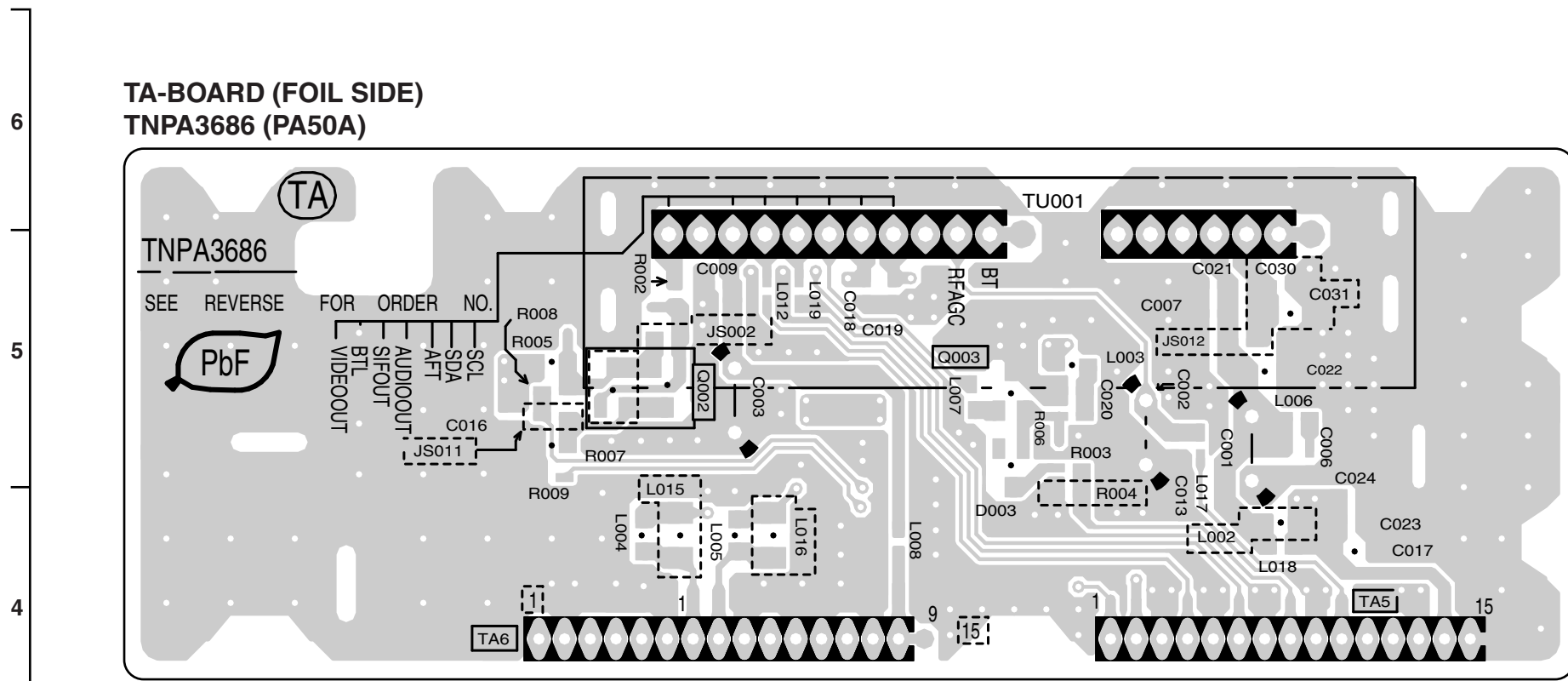
DG-BOARD (COMPONENT SIDE)					
IC	TRANSISTOR		TP		
IC1103	A-2	Q1150	A-4	Q4106	D-5
IC1104	B-3	Q1151	B-4	Q4108	D-5
IC1106	B-1	Q1152	C-5	Q4109	D-5
IC1108	A-3	Q1153	C-5	Q4110	E-5
IC1109	B-2	Q1176	C-3	Q4111	E-5
IC1110	B-1	Q1177	C-3	Q4112	E-5
IC1114	B-2	Q1178	C-3	Q4301	E-1
IC1116	C-1	Q1179	E-3	Q4302	D-1
IC1118	B-4	Q1182	D-5	Q4303	D-1
IC1235	C-1	Q1184	D-5	Q4309	E-3
IC4001	E-2	Q4002	E-3	Q4310	E-3
IC4002	F-2	Q4003	E-3	Q4311	E-3
IC4005	C-2	Q4004	C-1	Q4430	D-3
IC4008	C-5	Q4005	D-1	Q4431	E-3
IC4009	D-2	Q4006	D-1	Q4432	E-3
IC4011	E-1	Q4007	E-3	Q4433	E-3
IC4012	C-4	Q4008	D-3	Q4434	E-3
IC4013	D-2	Q4009	E-3	Q4435	E-3
IC4014	B-4	Q4011	E-3	Q4436	E-3
IC4016	B-4	Q4012	E-3	Q4900	F-2
IC4021	D-5	Q4013	E-3	<b>TP</b>	
IC4025	E-4	Q4016	E-3	TP1023	C-3
IC4042	E-2	Q4102	D-5	TP1029	B-3
IC4044	D-3	Q4103	D-5	TP4016	D-3
IC4048	E-3	Q4105	D-5	TP4021	C-3
IC4050	A-4	Q4106	D-5	TP4024	C-3
IC4051	C-4	Q4108	D-5	TP4025	C-3
IC4054	D-4	Q4109	D-5	TP4026	C-3
IC4055	D-3	Q4110	E-5	TP4030	E-2
IC4061	D-5	Q4111	E-5	TP4501	D-3
IC4062	F-3	Q4112	E-5		
		Q4013	E-3		
		Q4016	E-3		
		Q4102	D-5		
		Q4103	D-5		
		Q4105	D-5		

TH-42PA50A DG-BOARD TNPA3519AL  
 TH-37/42PA50H DG-BOARD TNPA3519AK  
 TH-37/42PA50M DG-BOARD TZTNP01YFSM

TH-42PA50A DG-BOARD TNPA3519AL  
 TH-37/42PA50H DG-BOARD TNPA3519AK  
 TH-37/42PA50M DG-BOARD TZTNP01YFSM

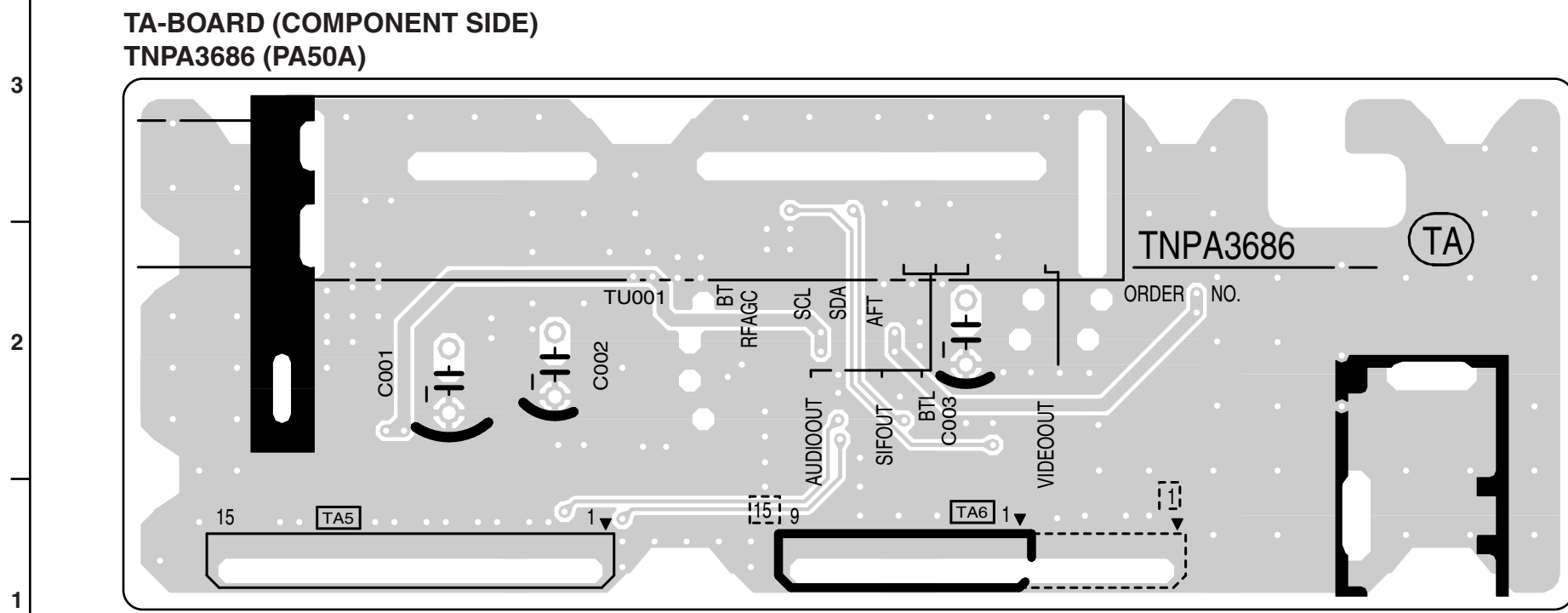
A B C D E F G H I

### 13.6. TA-Board

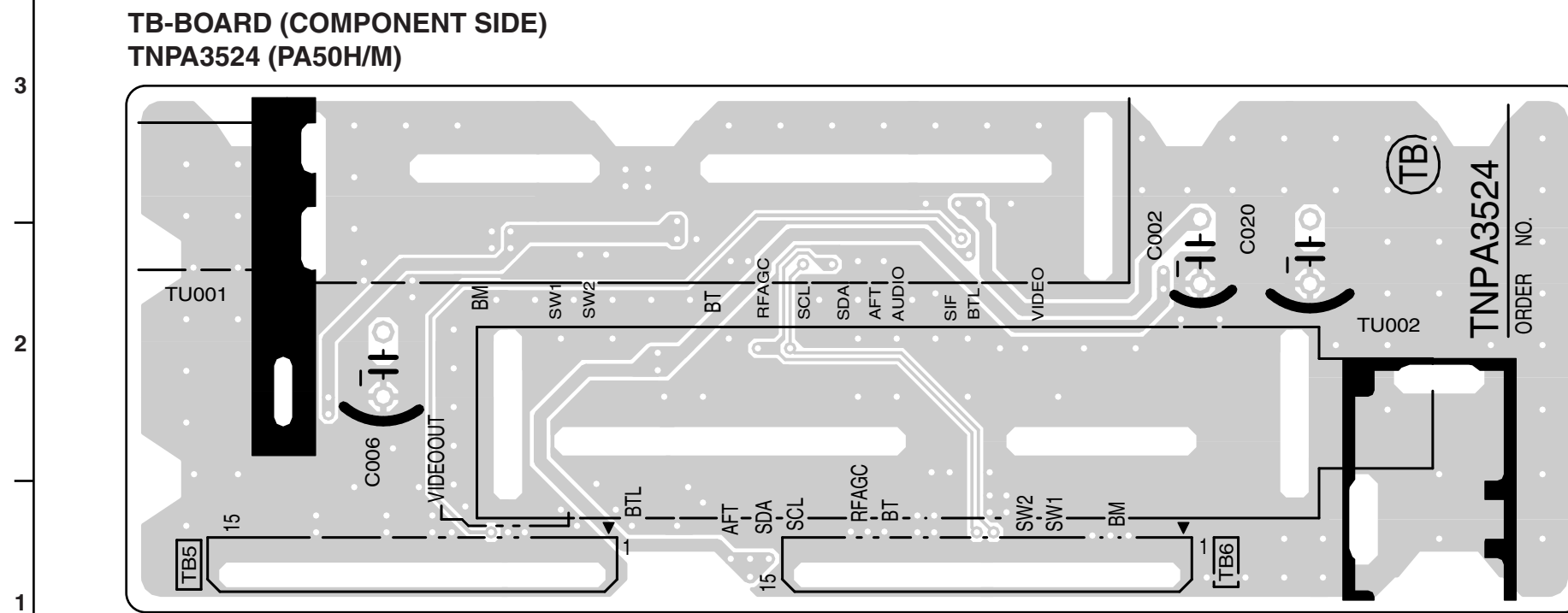
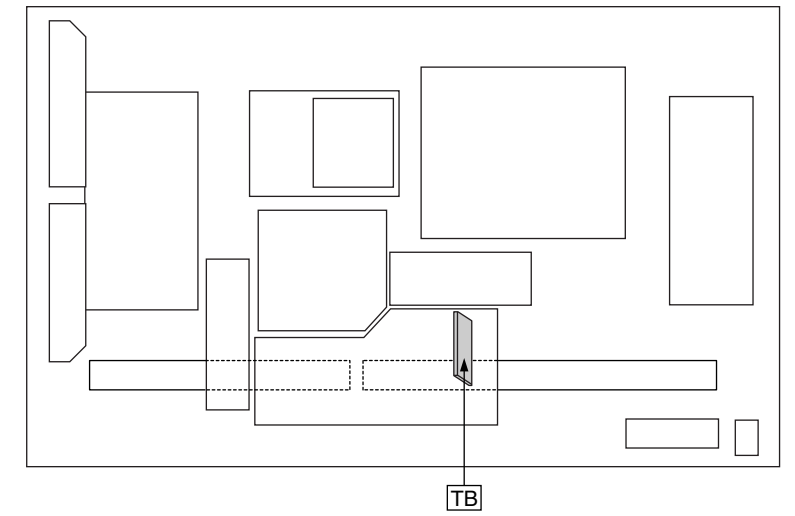
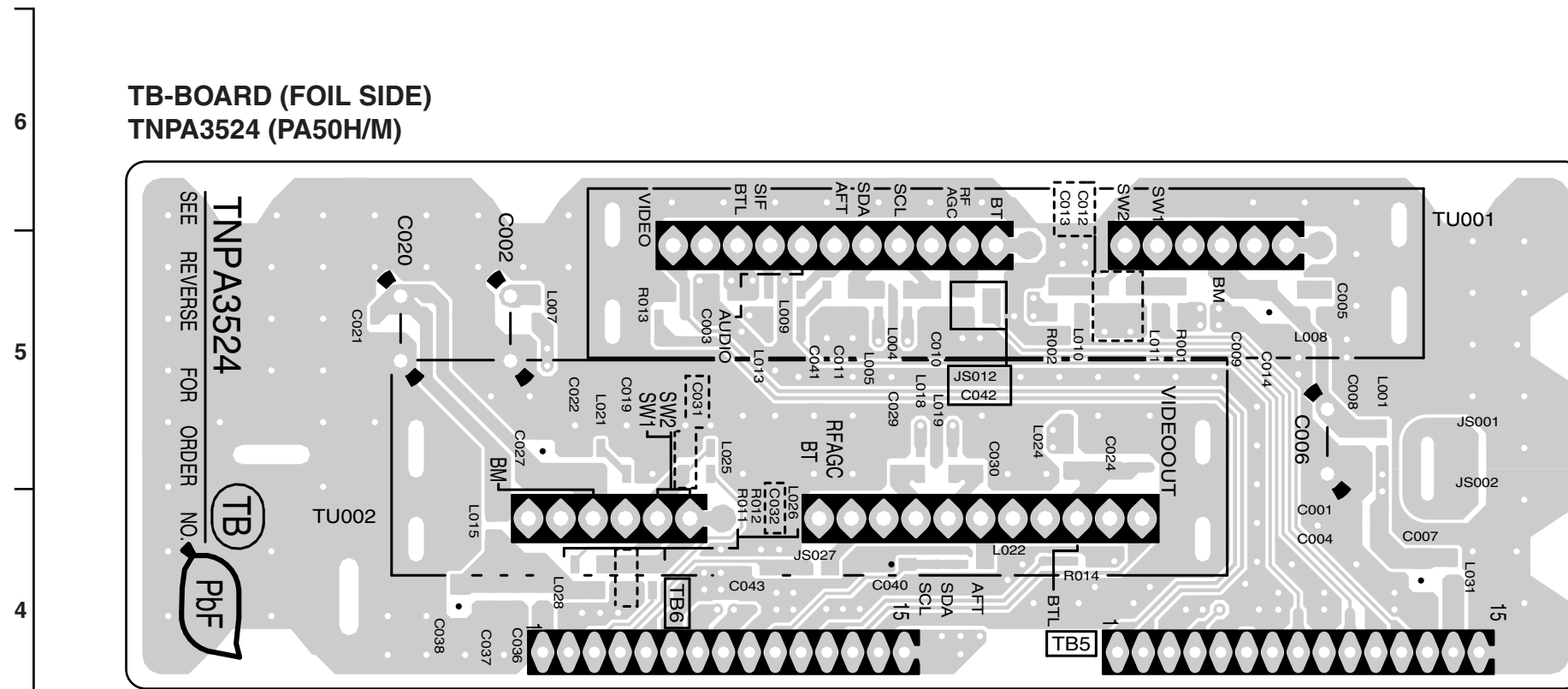


Parts Location

TA-BOARD	
TRANSISTOR	
Q002	C-5
Q003	D-5



13.7. TB-Board



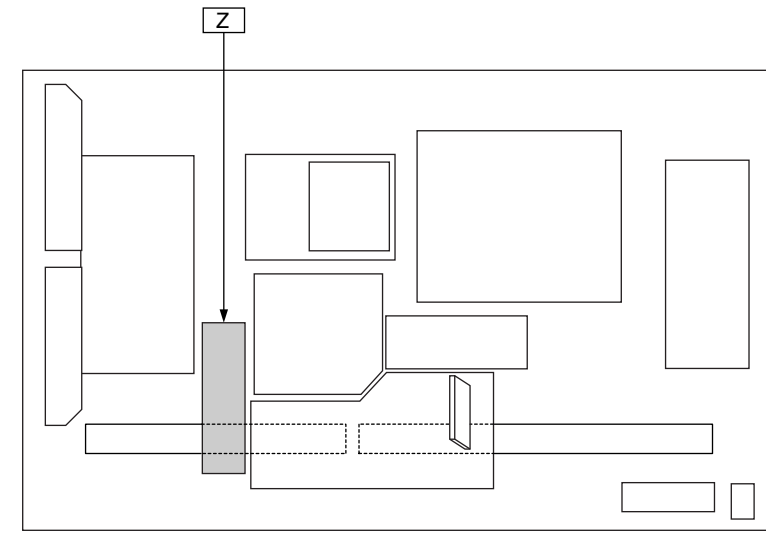
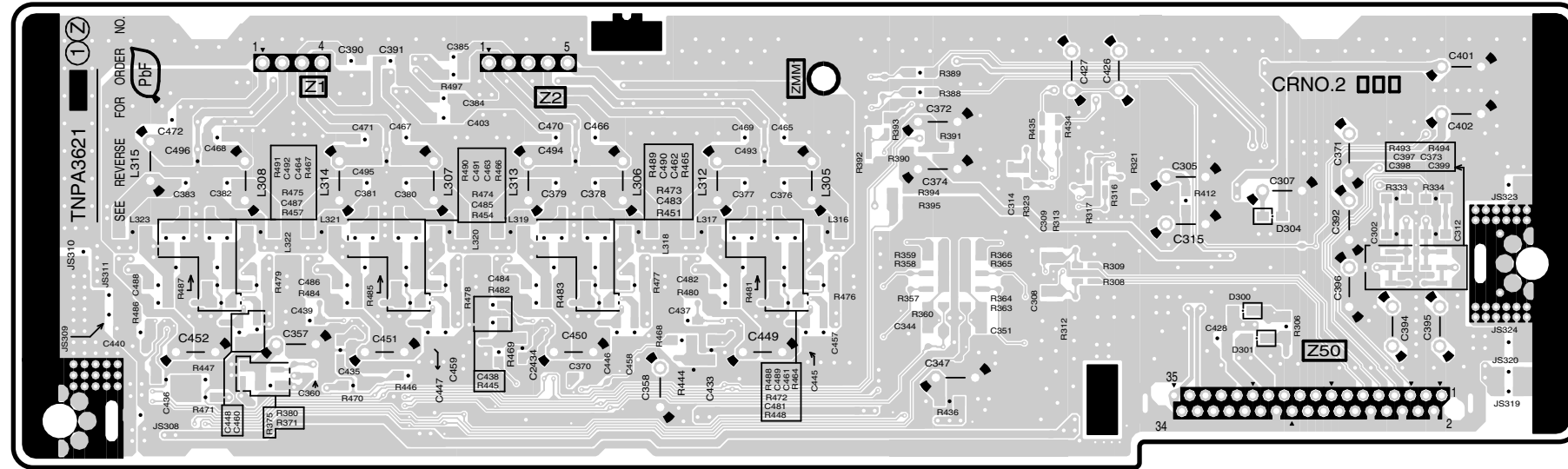
TH-37/42PA50H/M  
 TB-BOARD TNPA3524

TH-37/42PA50H/M  
 TB-BOARD TNPA3524

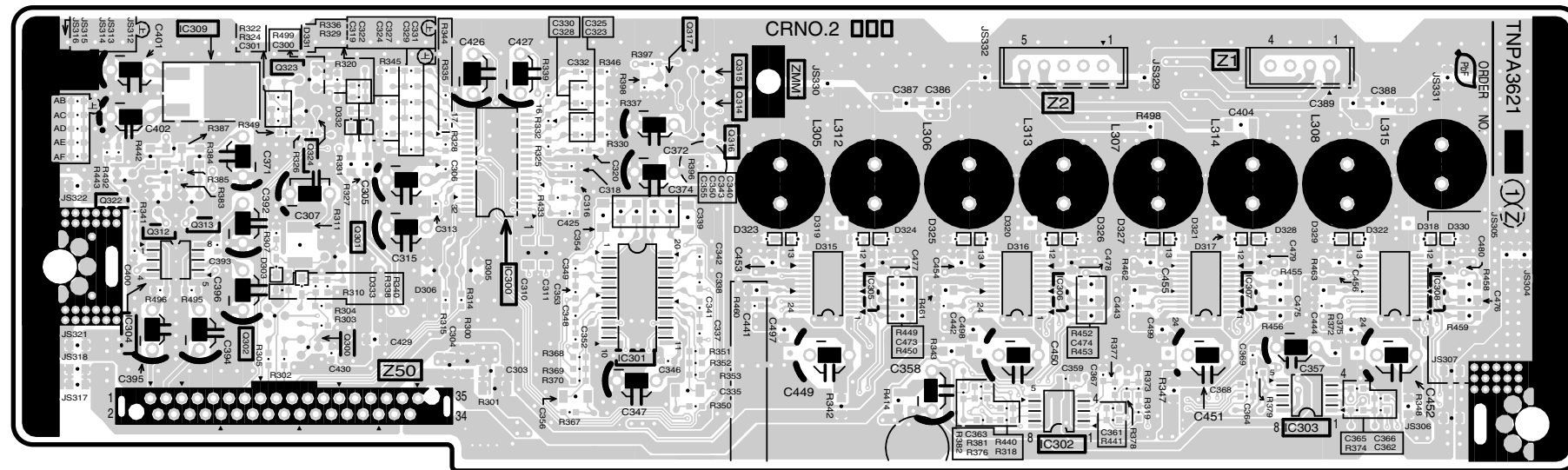
A B C D E F G H I

### 13.8. Z-Board

**Z-BOARD (FOIL SIDE)  
TNPA3621AE**



**Z-BOARD (COMPONENT SIDE)  
TNPA3621AE**



**Parts Location**

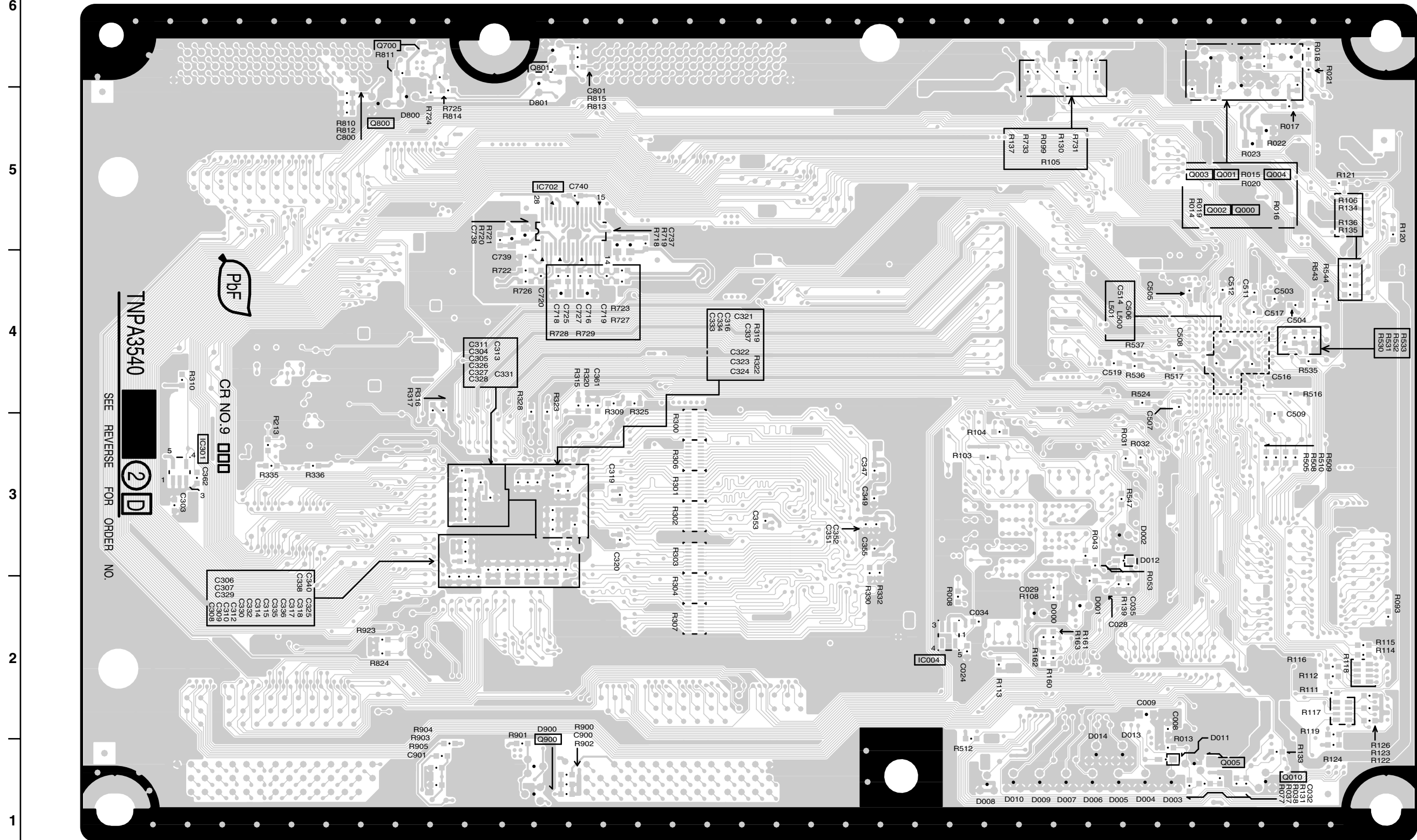
Z-BOARD			
IC		TRANSISTOR	
IC2300	C-2	Q2300	B-2
IC2301	C-2	Q2301	B-2
IC2302	E-2	Q2302	B-2
IC2303	F-2	Q2312	A-2
IC2304	A-2	Q2313	B-2
IC2305	D-2	Q2314	D-3
IC2306	E-2	Q2315	D-3
IC2307	E-2	Q2316	D-3
IC2308	F-2	Q2317	C-3
IC2309	A-3	Q2322	A-2
		Q2323	B-3
		Q2324	B-3

TH-42PA50A/H/M  
TH-37PA50H/M  
Z-BOARD TNPA3621AE

TH-42PA50A/H/M  
TH-37PA50H/M  
Z-BOARD TNPA3621AE

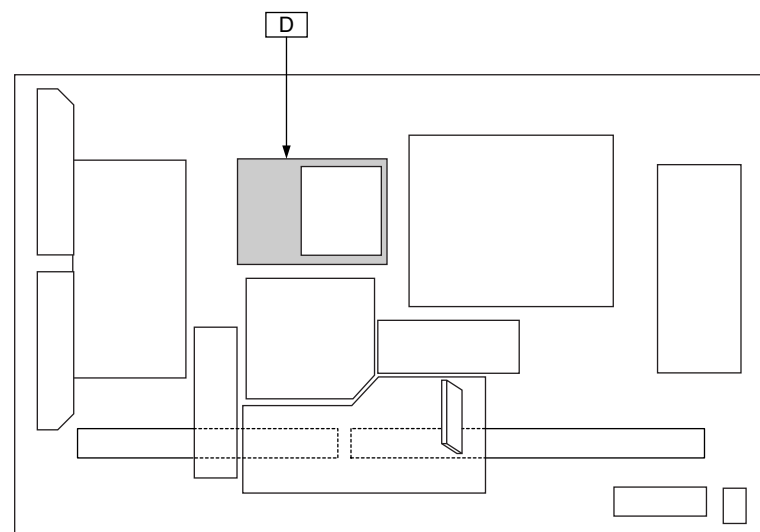
13.9. D-Board

D-BOARD(FOIL SIDE)  
TZTNP010YFS



TH-42PA50A/H/M  
TH-37PA50H/M  
D-BOARD TZTNP010YFS

TH-42PA50A/H/M  
TH-37PA50H/M  
D-BOARD TZTNP010YFS



**Parts Location**

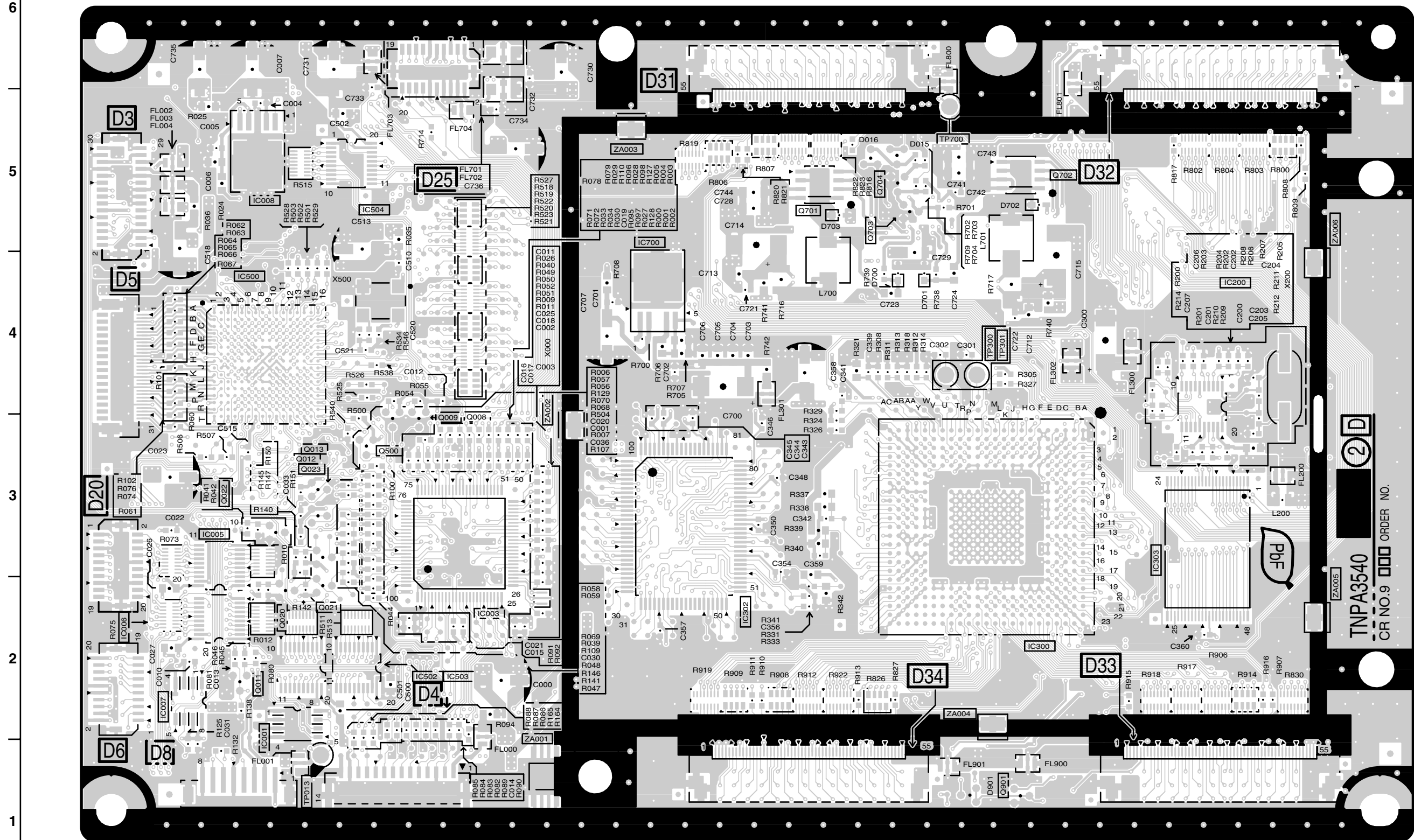
D-BOARD (FOIL SIDE)			
IC		TRANSISTOR	
IC9004	F-2	Q9000	H-5
IC9301	B-3	Q9001	H-5
IC9702	D-5	Q9002	H-5
		Q9003	H-5
		Q9004	H-5
		Q9005	H-1
		Q9010	H-1
		Q9700	C-6
		Q9800	C-5
		Q9801	D-6
		Q9900	D-1

**Parts Location**

D-BOARD (COMPONENT SIDE)					
IC		TRANSISTOR		TP	
IC9001	B-1	Q9008	C-3	TP9013	B-1
IC9003	C-2	Q9009	C-3	TP9300	F-4
IC9005	B-3	Q9011	B-2	TP9301	F-4
IC9006	A-2	Q9012	B-3		
IC9007	A-2	Q9013	B-3		
IC9008	B-5	Q9020	B-2		
IC9200	H-4	Q9021	B-2		
IC9300	G-2	Q9022	B-3		
IC9302	E-2	Q9023	B-3		
IC9303	G-2	Q9500	C-3		
IC9500	B-4	Q9701	E-5		
IC9502	C-2	Q9702	G-5		
IC9503	C-2	Q9703	F-5		
IC9504	C-5	Q9704	F-5		
IC9700	D-5	Q9901	G-1		



D-BOARD (COMPONENT SIDE)  
TZTNP010YFS



TH-42PA50A/H/M  
TH-37PA50H/M  
D-BOARD TZTNP010YFS

TH-42PA50A/H/M  
TH-37PA50H/M  
D-BOARD TZTNP010YFS

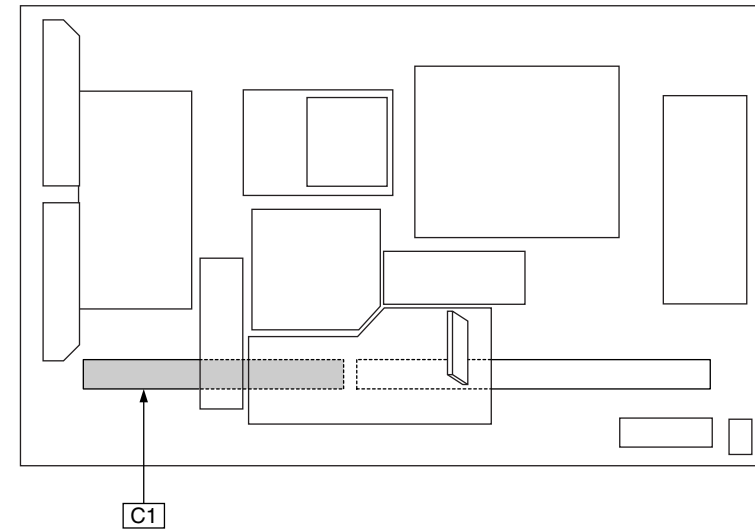
2D  
TNPA3540  
CR NO.9 ORDER NO.

### 13.10. C1-Board (37 inch)

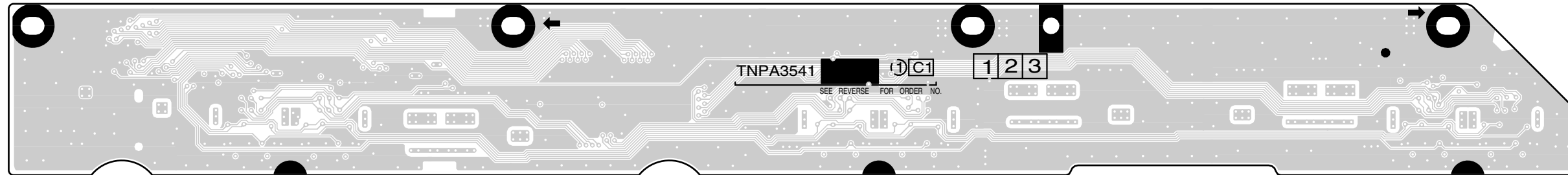
6  
5  
4  
3  
2  
1

**Parts Location**

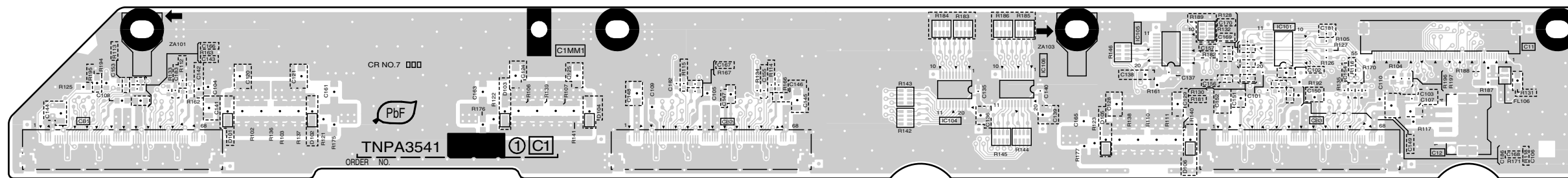
C1-BOARD	
IC	
IC7101	G-2
IC7104	F-2
IC7105	G-2
IC7106	F-2



**C1-BOARD (FOIL SIDE)  
TNPA3541**



**C1-BOARD (COMPONENT SIDE)  
TNPA3541**

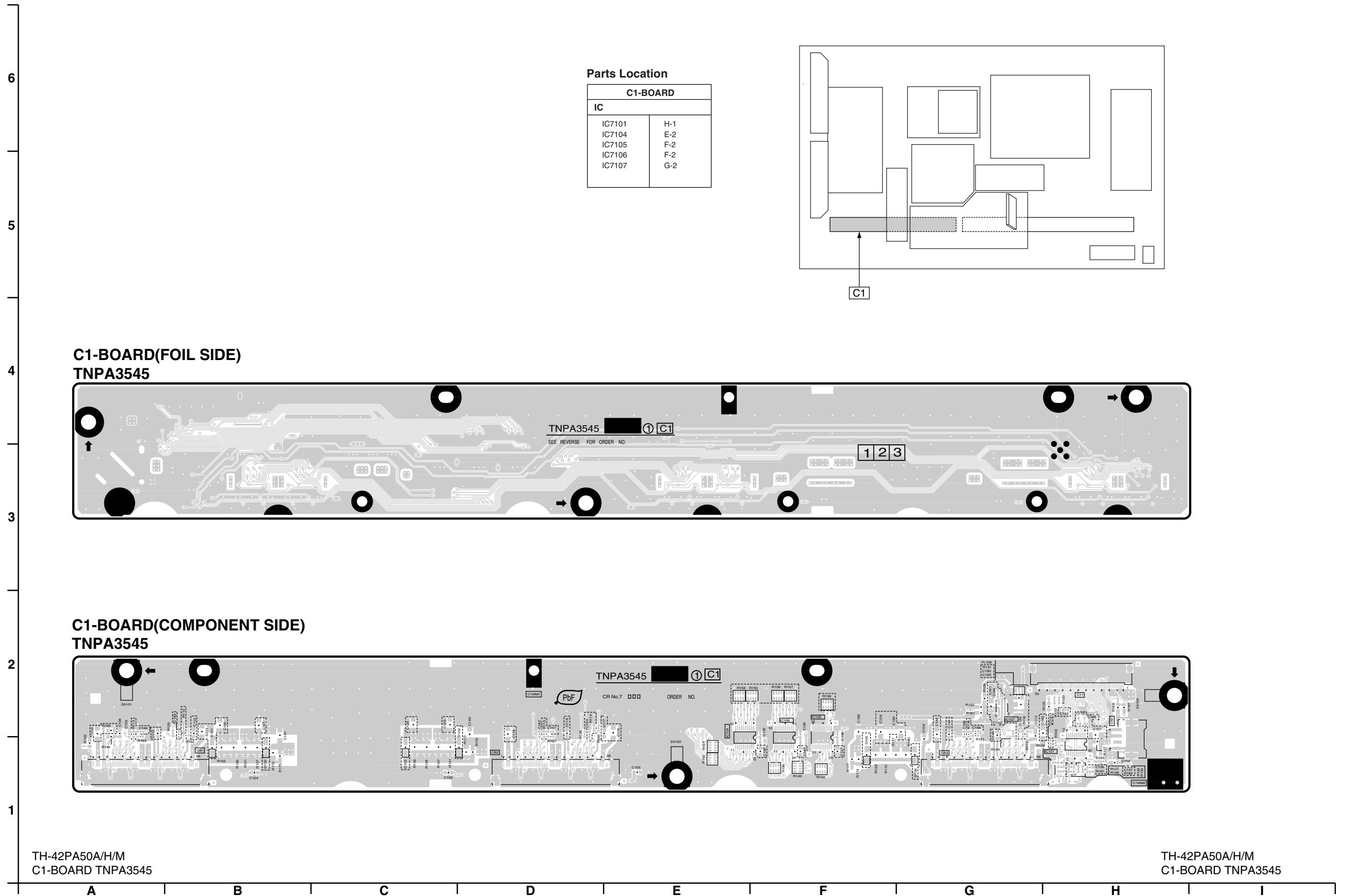


TH-37PA50H/M  
C1-BOARD TNPA3541

TH-37PA50H/M  
C1-BOARD TNPA3541

A | B | C | D | E | F | G | H | I

### 13.11. C1-Board (42 inch)

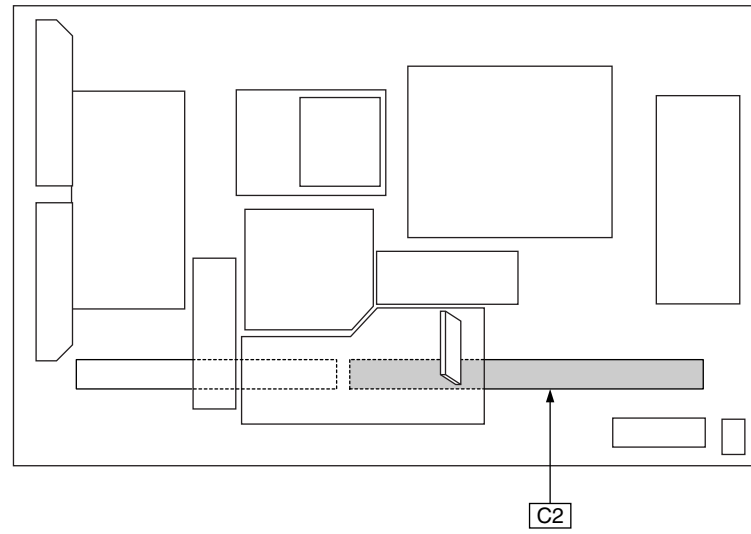


### 13.12. C2-Board (37 inch)

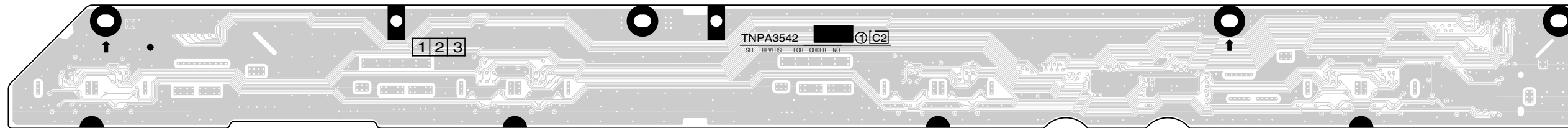
6  
5  
4  
3  
2  
1

**Parts Location**

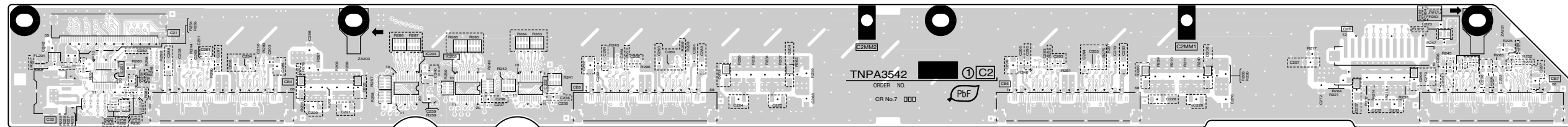
C2-BOARD	
IC	
IC7201	A-2
IC7202	D-2
IC7203	C-2
IC7204	C-2



**C2-BOARD (FOIL SIDE)  
TNPA3542**



**C2-BOARD (COMPONENT SIDE)  
TNPA3542**



TH-37PA50H/M  
C2-BOARD TNPA3542

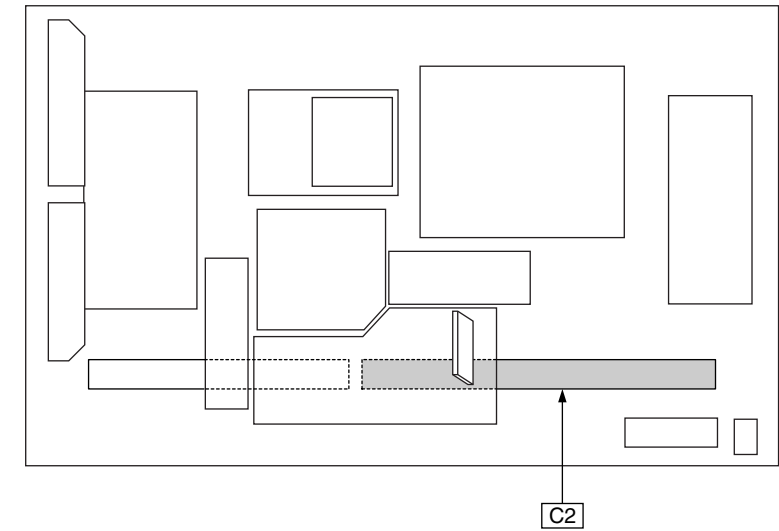
TH-37PA50H/M  
C2-BOARD TNPA3542

A | B | C | D | E | F | G | H | I

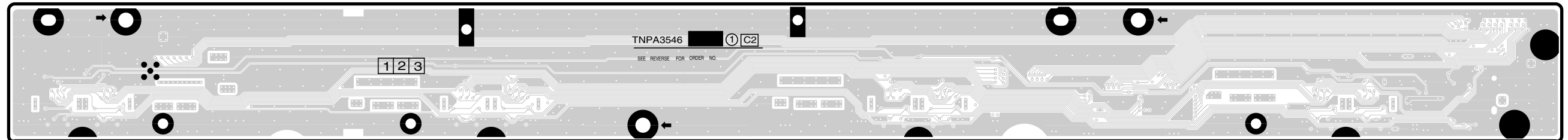
13.13. C2-Board (42 inch)

Parts Location

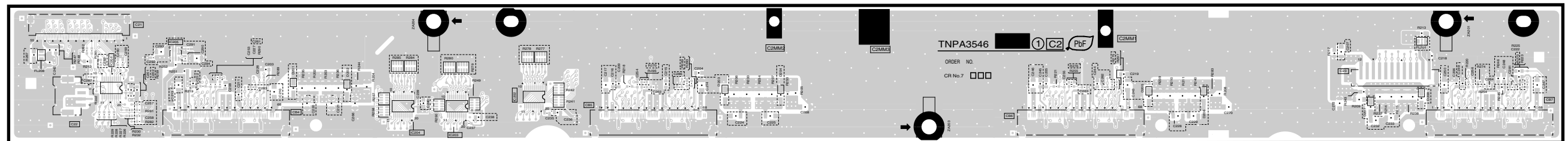
C2-BOARD	
IC	
IC7201	A-2
IC7202	D-2
IC7203	C-2
IC7204	C-2
IC7205	B-2



C2-BOARD(FOIL SIDE)  
TNPA3546



C2-BOARD(COMPONENT SIDE)  
TNPA3546



TH-42PA50A/H/M  
C2-BOARD TNPA3546

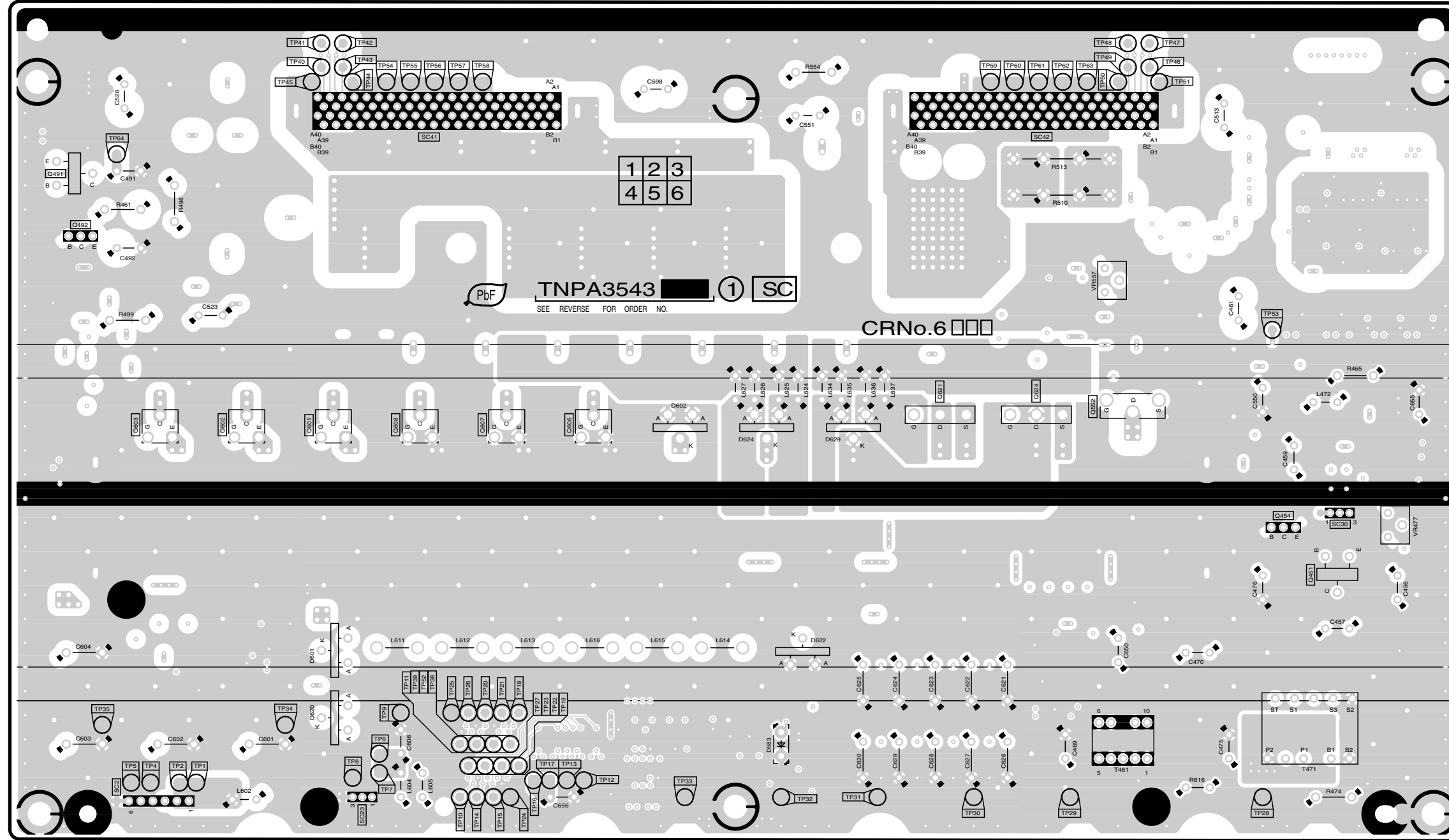
TH-42PA50A/H/M  
C2-BOARD TNPA3546

A B C D E F G H I

### 13.14. SC-Board

**SC-BOARD(FOIL SIDE)**  
**TNPA3543AB (37inch)**  
**TNPA3543 (42inch)**

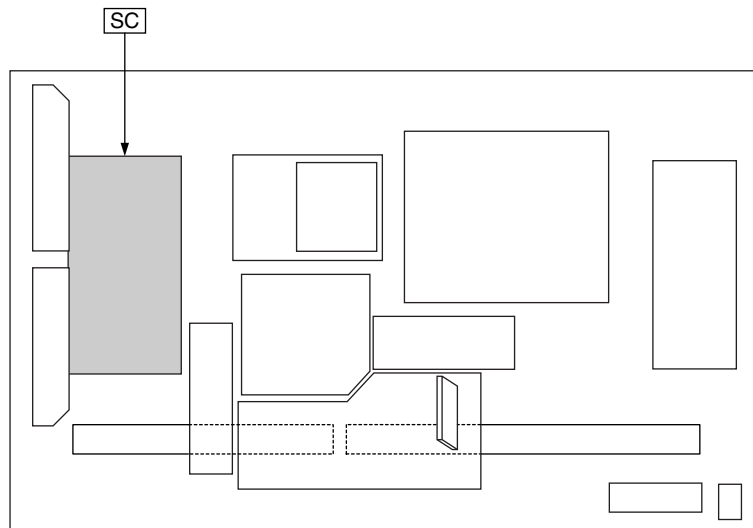
6  
5  
4  
3  
2  
1



TH-37PA50H/M SC-BOARD TNPA3543AB  
 TH-42PA50A/H/M SC-BOARD TNPA3543

TH-37PA50H/M SC-BOARD TNPA3543AB  
 TH-42PA50A/H/M SC-BOARD TNPA3543

A B C D E F G H I



**Parts Location**

SC-BOARD (FOIL SIDE)					
TRANSISTOR		TP			
Q6451	H-2	TP6001	B-1	TP6032	E-1
Q6454	H-3	TP6002	B-1	TP6033	D-1
Q6491	A-4	TP6004	B-1	TP6034	B-1
Q6492	A-4	TP6005	B-1	TP6035	B-1
Q6552	G-3	TP6006	C-1	TP6038	C-1
Q6601	C-3	TP6007	C-1	TP6039	C-1
Q6602	B-3	TP6008	C-1	TP6040	C-5
Q6603	B-3	TP6009	C-1	TP6041	C-5
Q6606	D-3	TP6010	C-1	TP6042	C-5
Q6607	C-3	TP6011	C-1	TP6043	C-5
Q6608	C-3	TP6012	D-1	TP6044	C-5
Q6621	F-3	TP6013	D-1	TP6045	C-5
Q6624	F-3	TP6014	C-1	TP6046	G-5
		TP6015	C-1	TP6047	G-5
		TP6016	D-1	TP6048	G-5
		TP6017	D-1	TP6049	G-5
		TP6018	C-1	TP6050	G-5
		TP6019	C-1	TP6051	G-5
		TP6020	C-1	TP6052	C-1
		TP6021	C-1	TP6053	G-3
		TP6022	C-1	TP6054	C-5
		TP6023	C-1	TP6055	C-5
		TP6024	C-1	TP6056	C-5
		TP6025	C-1	TP6057	C-5
		TP6026	C-1	TP6058	C-5
		TP6027	C-1	TP6059	F-5
		TP6028	G-1	TP6060	F-5
		TP6029	F-1	TP6061	F-5
		TP6030	F-1	TP6062	F-5
		TP6031	E-1	TP6063	F-5
				TP6064	B-4

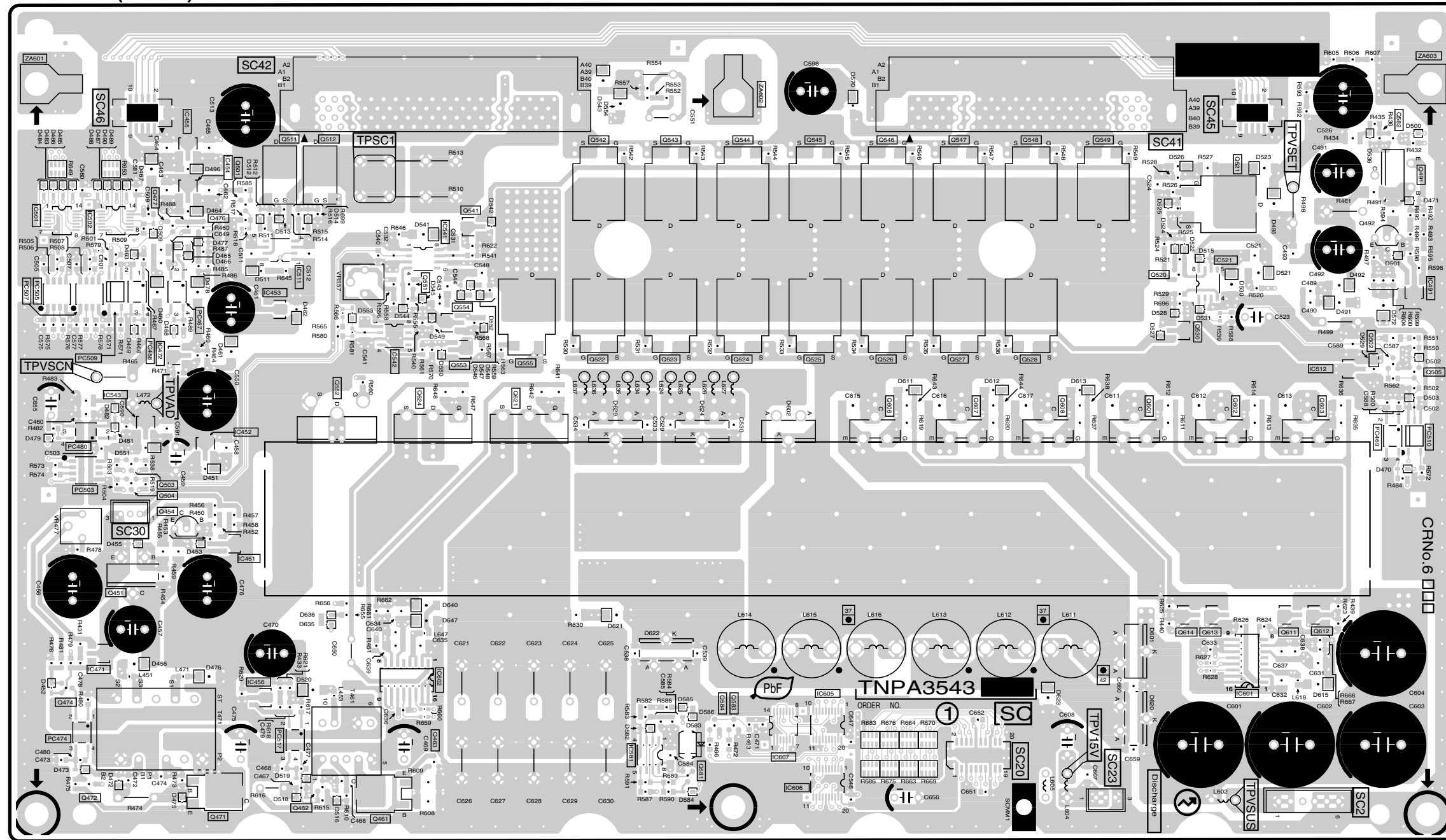
TH-42PA50A/H/M, TH-37PA50H/M  
SC-BOARD PARTS LOCATION

**Parts Location**

SC-BOARD (COMPONENT SIDE)							
IC		TRANSISTOR				TP	
IC6451	B-2	Q6451	A-2	Q6541	C-4	TPSC1	C-5
IC6452	B-3	Q6454	B-3	Q6542	D-4	TPV15V	F-1
IC6453	B-4	Q6461	C-1	Q6543	D-4	TPVAD	B-3
IC6454	B-4	Q6462	B-1	Q6544	E-4	TPVSCN	A-3
IC6455	B-5	Q6463	C-1	Q6545	E-4	TPVSET	G-5
IC6456	B-2	Q6471	B-1	Q6546	E-4	TPVSUS	G-1
IC6471	A-2	Q6472	A-1	Q6547	F-4		
IC6472	B-3	Q6474	A-2	Q6548	F-4		
IC6491	H-4	Q6476	B-4	Q6549	G-4		
IC6501	A-4	Q6477	B-4	Q6551	C-4		
IC6502	A-4	Q6491	H-4	Q6552	C-3		
IC6511	B-4	Q6492	H-4	Q6553	C-3		
IC6512	H-3	Q6501	B-4	Q6554	C-4		
IC6521	G-4	Q6502	H-3	Q6555	D-3		
IC6541	C-4	Q6503	B-3	Q6581	D-1		
IC6542	C-3	Q6504	B-3	Q6582	H-5		
IC6543	A-3	Q6505	H-3	Q6583	E-2		
IC6581	D-1	Q6511	B-4	Q6584	E-2		
IC6601	G-2	Q6512	B-4	Q6601	G-3		
IC6602	C-2	Q6520	G-4	Q6602	G-3		
IC6605	E-2	Q6521	G-4	Q6603	H-3		
IC6606	E-1	Q6522	D-3	Q6606	E-3		
IC6607	E-1	Q6523	D-3	Q6607	F-3		
		Q6524	E-3	Q6608	F-3		
		Q6525	E-3	Q6611	H-2		
		Q6526	E-3	Q6612	H-2		
		Q6527	F-3	Q6613	G-2		
		Q6528	F-3	Q6614	G-2		
		Q6530	G-4	Q6621	D-3		
				Q6624	C-3		

TH-42PA50A/H/M, TH-37PA50H/M  
SC-BOARD PARTS LOCATION

SC-BOARD(COMPONENT SIDE)  
TNPA3543AB (37inch)  
TNPA3543 (42inch)



TH-37PA50H/M SC-BOARD TNPA3543AB  
TH-42PA50A/H/M SC-BOARD TNPA3543

TH-37PA50H/M SC-BOARD TNPA3543AB  
TH-42PA50A/H/M SC-BOARD TNPA3543

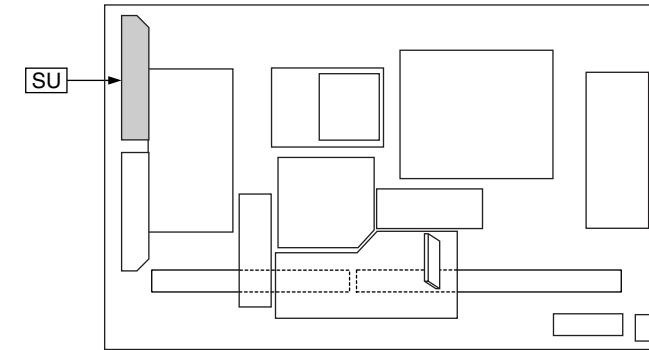
A B C D E F G H I



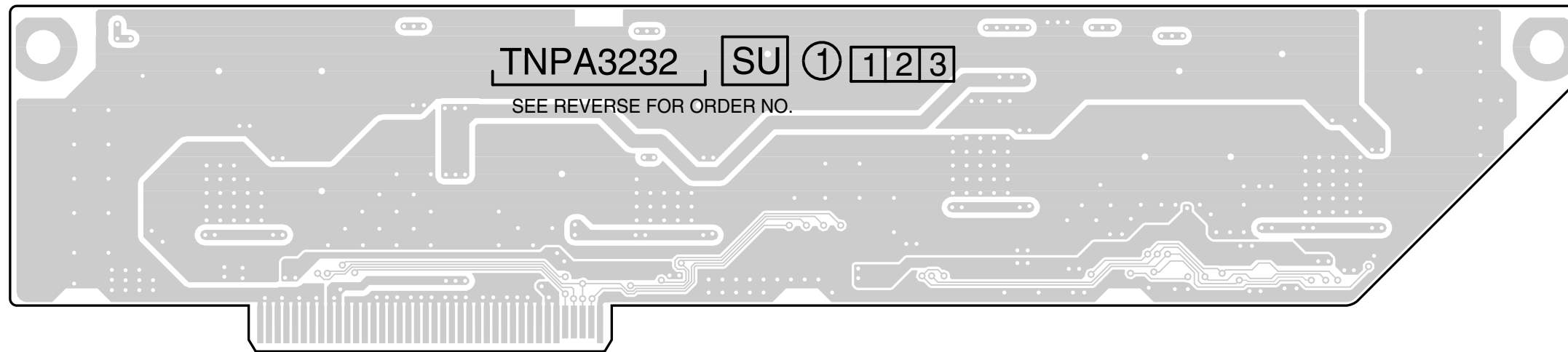
13.15. SU-Board (37 inch)

Parts Location

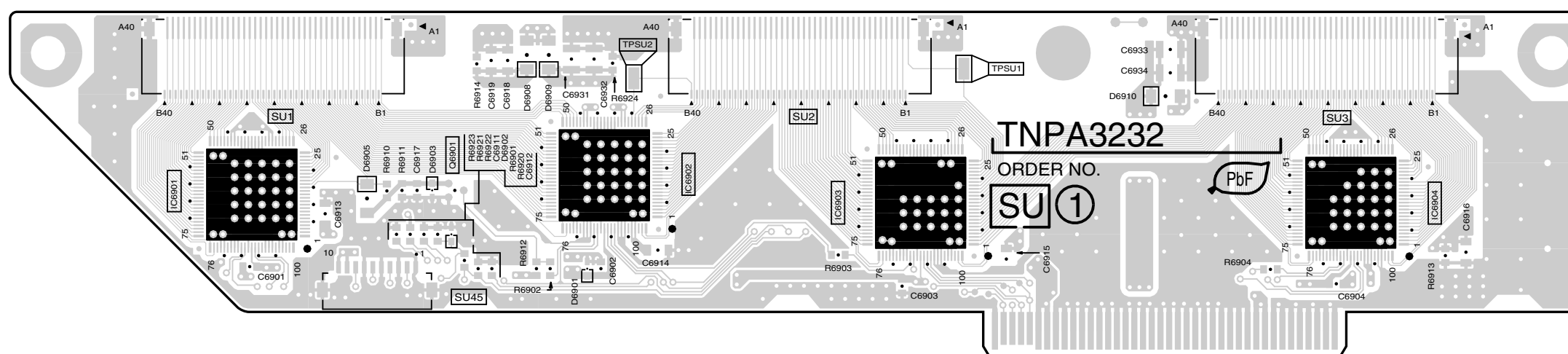
SU-BOARD			
IC		TRANSISTOR	
IC6901	B-2	Q6901	C-2
IC6902	D-2	TP	
IC6903	E-2		
IC6904	G-2	TPSU1	E-2
		TPSU2	D-2



SU-BOARD (FOIL SIDE)  
TNPA3232



SU-BOARD (COMPONENT SIDE)  
TNPA3232



TH-37PA50H/M  
SU-BOARD TNPA3232

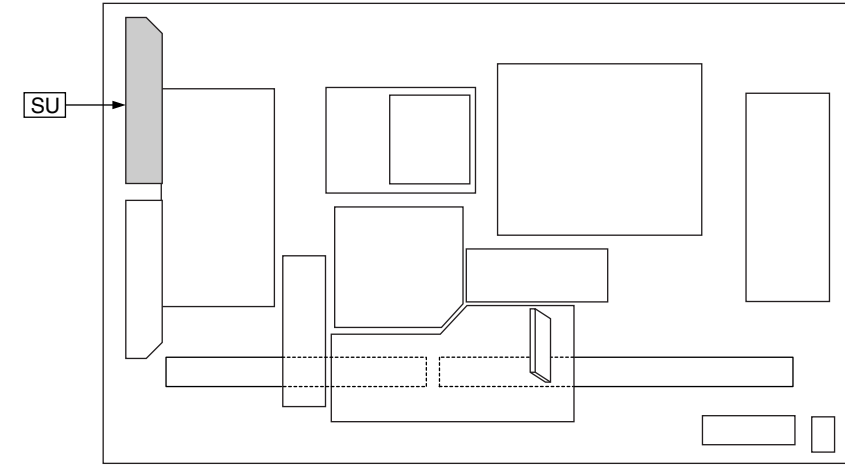
TH-37PA50H/M  
SU-BOARD TNPA3232

A | B | C | D | E | F | G | H

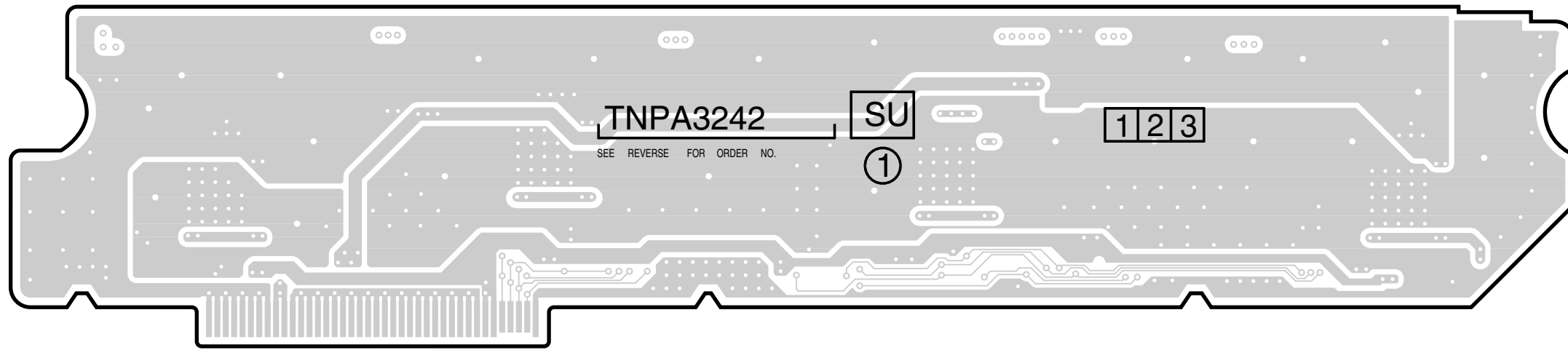
### 13.16. SU-Board (42 inch)

**Parts Location**

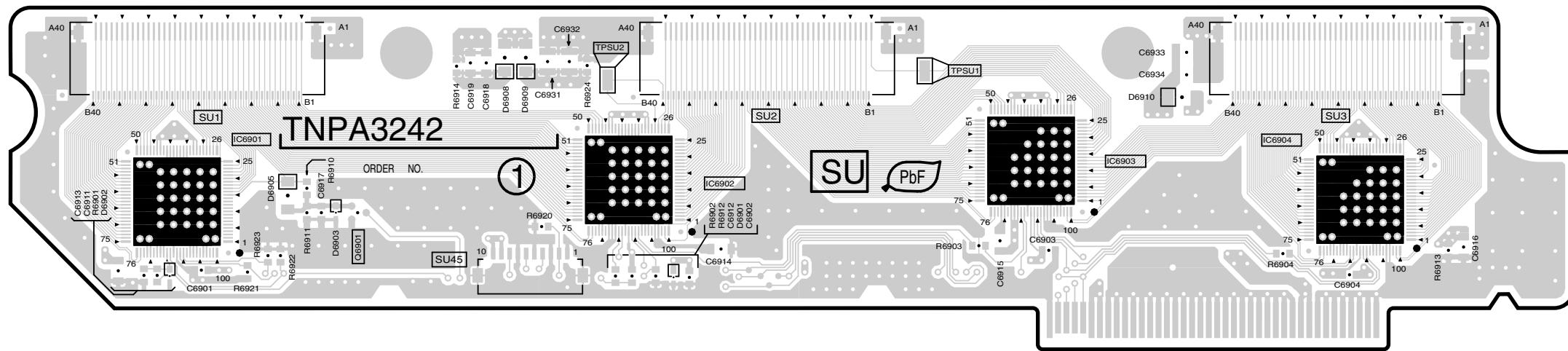
SU-BOARD			
IC		TRANSISTOR	
IC6901	B-2	Q6901	C-1
IC6902	D-2	TP	
IC6903	F-2		
IC6904	G-2	TPSU1	D-2
		TPSU2	E-2



**SU-BOARD (FOIL SIDE)  
TNPA3242**



**SU-BOARD (COMPONENT SIDE)  
TNPA3242**



TH-42PA50A/H/M  
SU-BOARD TNPA3242

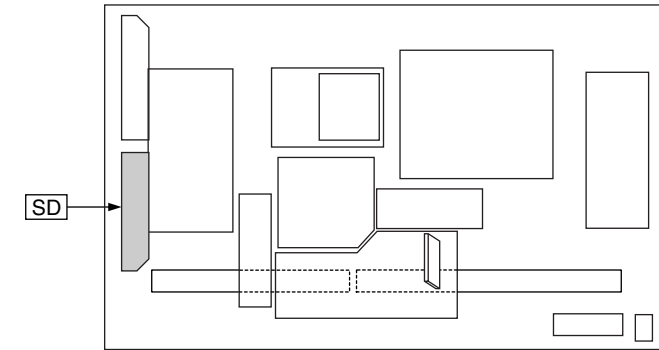
TH-42PA50A/H/M  
SU-BOARD TNPA3242

A B C D E F G H I

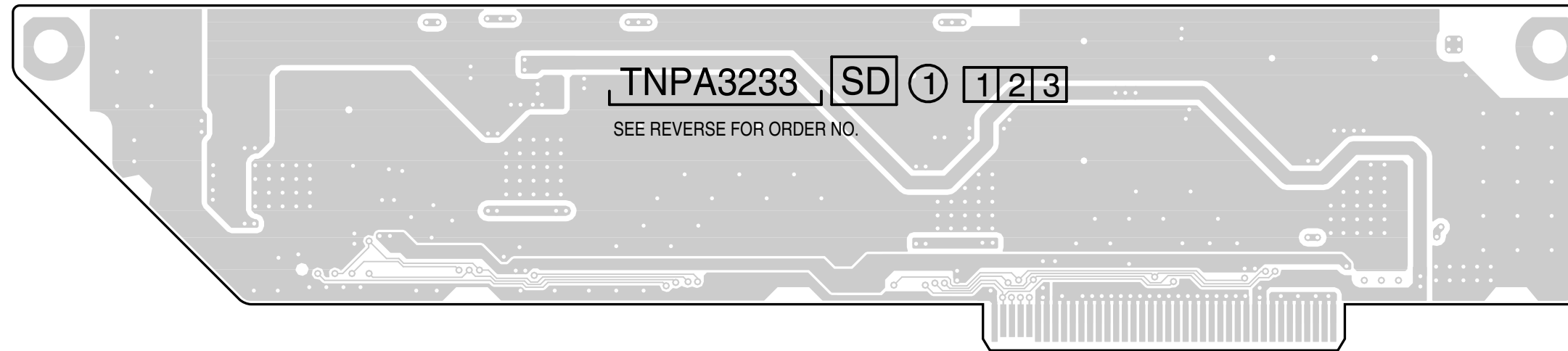
13.17. SD-Board (37 inch)

Parts Location

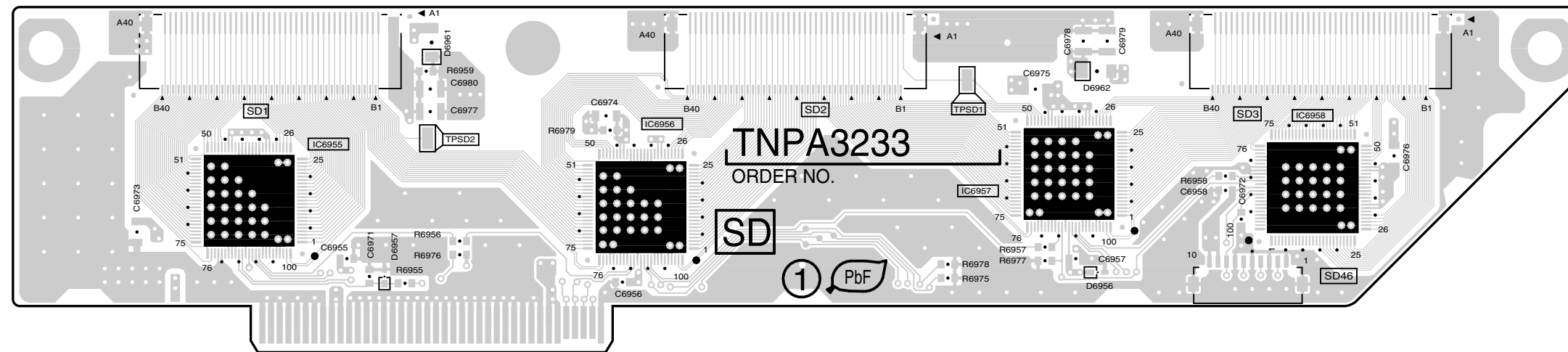
SD-BOARD			
IC		TP	
IC6955	B-2	TPSD1	E-2
IC6956	D-2	TPSD2	C-2
IC6957	F-2		
IC6958	G-2		



SD-BOARD (FOIL SIDE)  
TNPA3233



SD-BOARD (COMPONENT SIDE)  
TNPA3233



TH-37PA50H/M  
SD-BOARD TNPA3233

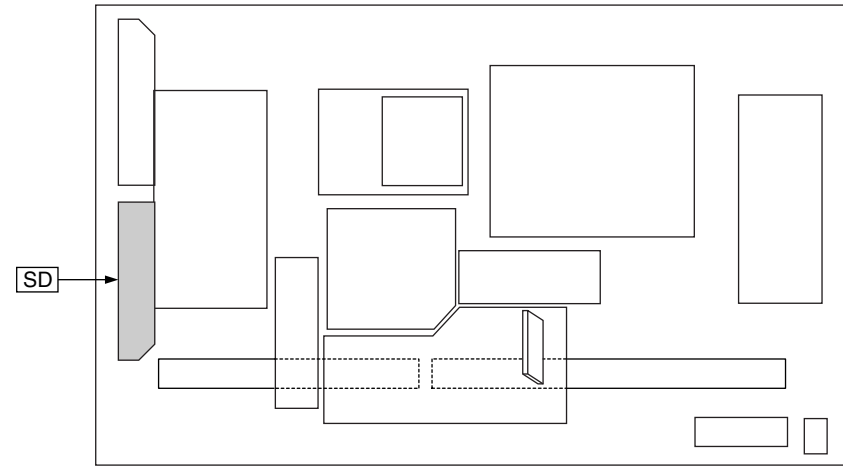
TH-37PA50H/M  
SD-BOARD TNPA3233

A | B | C | D | E | F | G | H

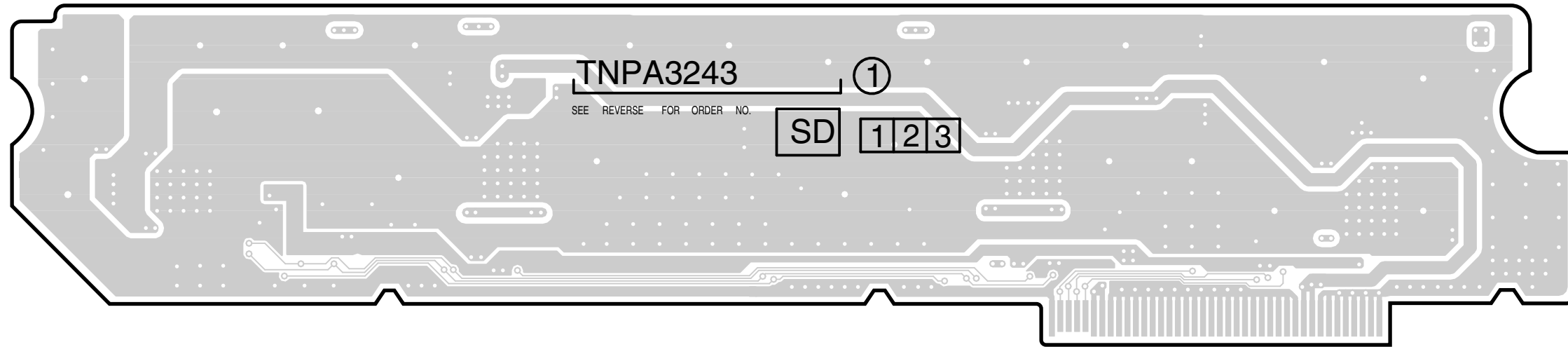
### 13.18. SD-Board (42 inch)

Parts Location

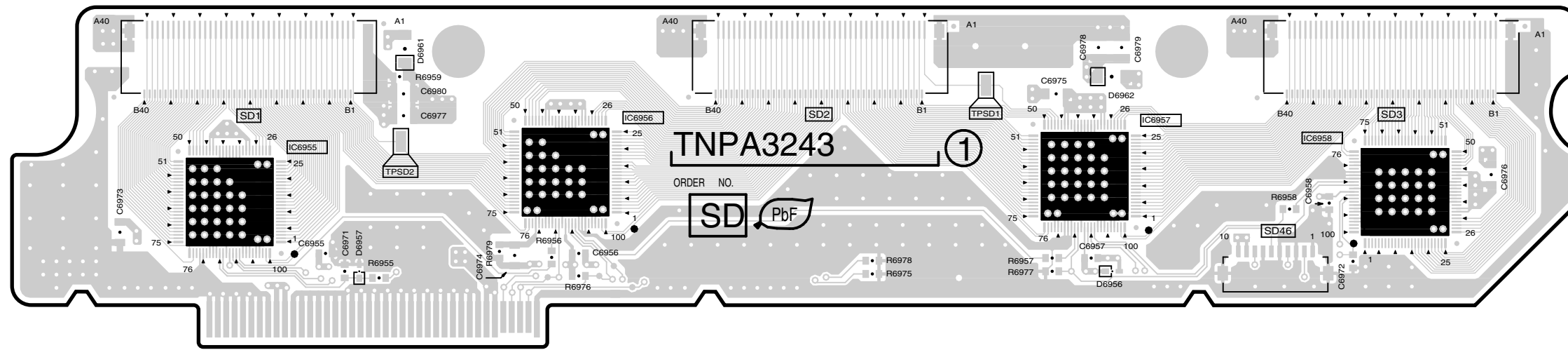
SD-BOARD			
IC		TRANSISTOR	
IC6955	B-2	TPSD1	F-2
IC6956	D-2	TPSD2	C-2
IC6957	F-2		
IC6958	G-2		



SD-BOARD (FOIL SIDE)  
TNPA3243



SD-BOARD (COMPONENT SIDE)  
TNPA3243



TH-42PA50A/H/M  
SD-BOARD TNPA3243

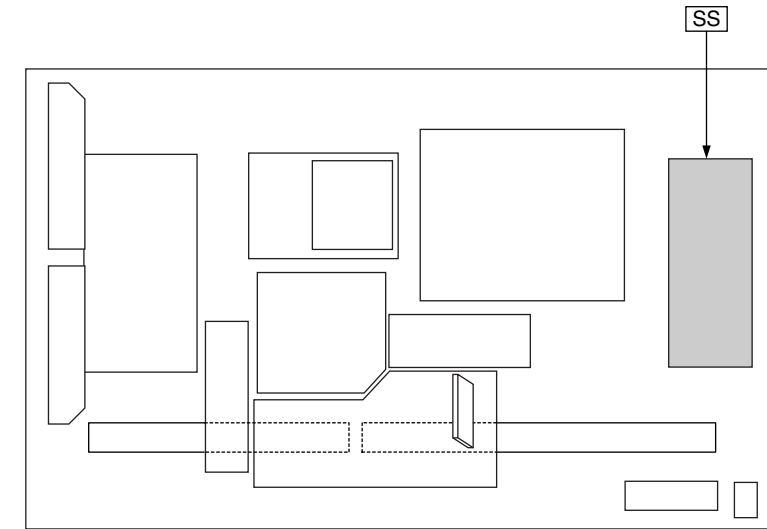
TH-42PA50A/H/M  
SD-BOARD TNPA3243

A B C D E F G H I

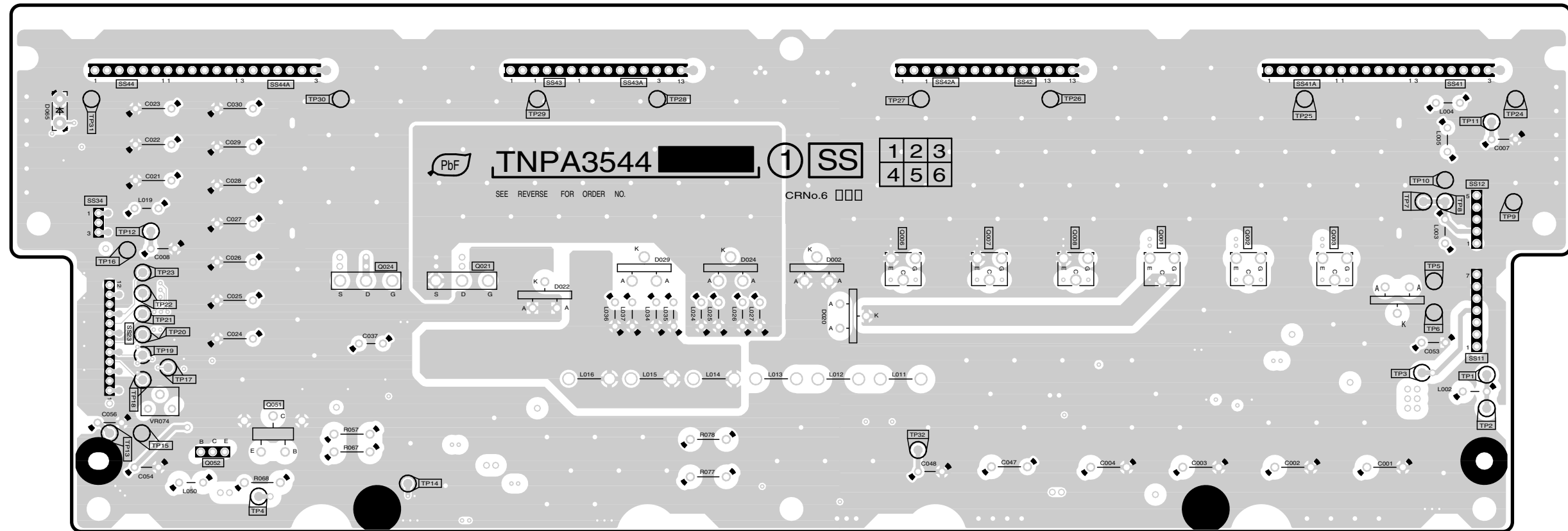
13.19. SS-Board

Parts Location

SS-BOARD (FOIL SIDE)					
TRANSISTOR		TP			
Q6001	G-2	TP6001	H-1	TP6016	B-2
Q6002	G-2	TP6002	H-1	TP6017	B-2
Q6003	H-2	TP6003	H-1	TP6018	B-2
Q6006	E-2	TP6004	B-1	TP6019	B-2
Q6007	F-2	TP6005	H-2	TP6020	B-2
Q6008	F-2	TP6006	H-2	TP6021	B-2
Q6021	C-2	TP6007	H-2	TP6022	B-2
Q6024	C-2	TP6008	H-2	TP6023	B-2
Q6051	B-1	TP6009	H-2	TP6024	I-3
Q6052	B-1	TP6010	H-2	TP6025	G-3
		TP6011	H-3	TP6026	F-3
		TP6012	B-2	TP6027	F-3
		TP6013	A-1	TP6028	D-3
		TP6014	C-1	TP6029	D-3
		TP6015	A-1	TP6030	C-3
				TP6031	A-3
				TP6032	E-1



SS-BOARD(FOIL SIDE)  
 TNPA3544AB (37 inch)  
 TNPA3544 (42 inch)

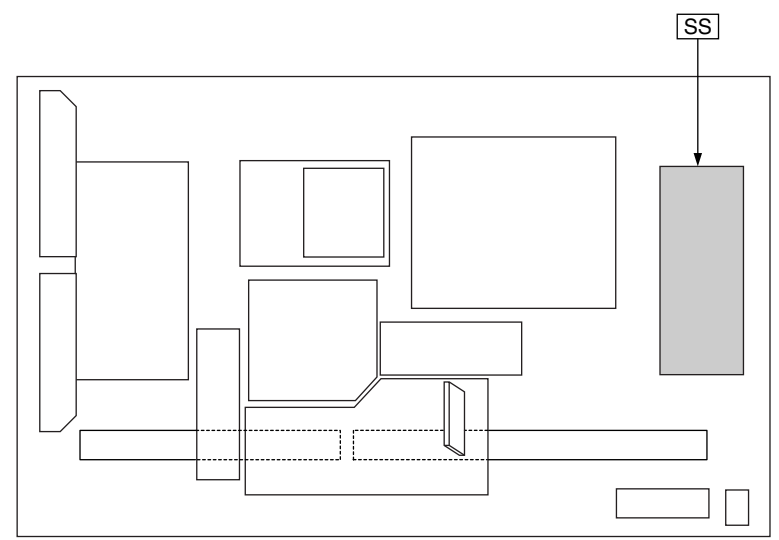


TH-37PA50H/M SS-BOARD TNPA3544AB  
 TH-42PA50A/H/M SS-BOARD TNPA3544

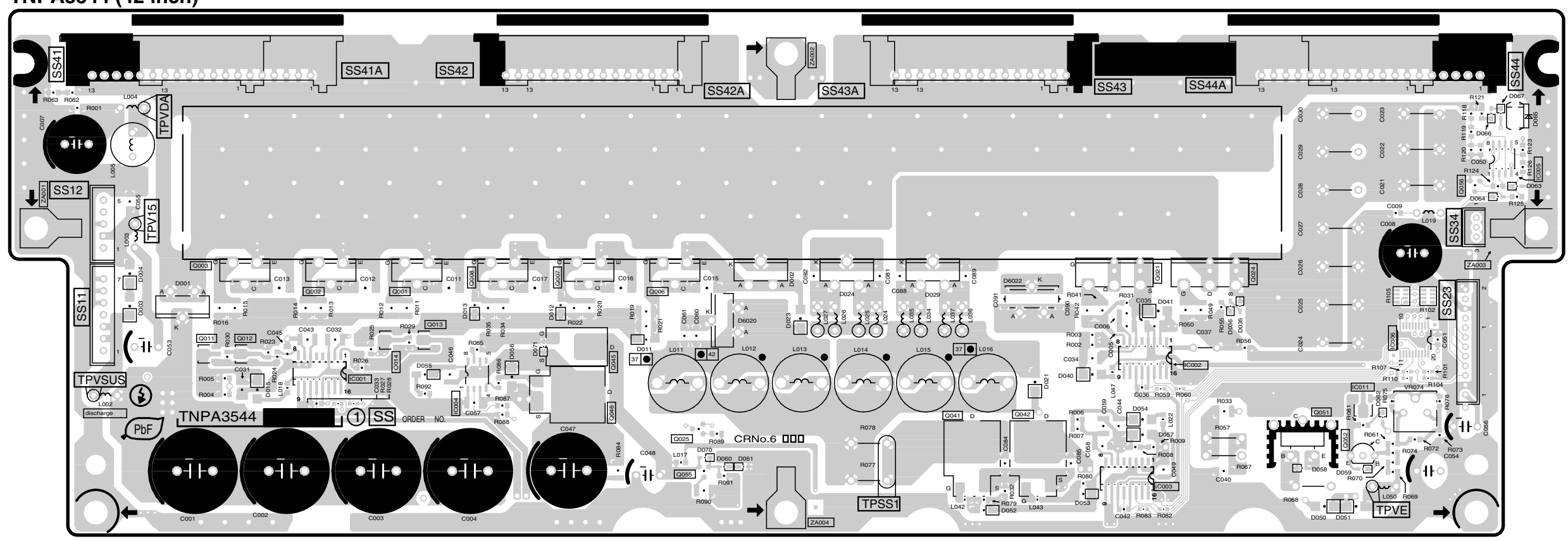
TH-37PA50H/M SS-BOARD TNPA3544AB  
 TH-42PA50A/H/M SS-BOARD TNPA3544

**Parts Location**

SS-BOARD (COMPONENT SIDE)					
IC		TRANSISTOR			
IC6001	C-2	Q6001	C-2	Q6045	D-2
IC6002	G-2	Q6002	B-2	Q6046	D-2
IC6003	G-1	Q6003	B-2	Q6051	H-1
IC6004	C-2	Q6006	D-2	Q6052	H-1
IC6005	I-3	Q6007	D-2	Q6055	D-1
IC6006	H-2	Q6008	C-2	Q6056	H-3
IC6011	H-2	Q6011	B-2		
		Q6012	B-2		
		Q6013	C-2		
		Q6014	C-2		
		Q6021	G-2		
		Q6024	G-2		
		Q6025	D-1		
		Q6041	F-1		
		Q6042	F-1		
				TP	
				TPSS1	E-1
				TPSUS	A-2
				TPV15	B-3
				TPVDA	B-3
				TPVE	H-1



**SS-BOARD (COMPONENT SIDE)**  
**TNPA3544AB (37 inch)**  
**TNPA3544 (42 inch)**



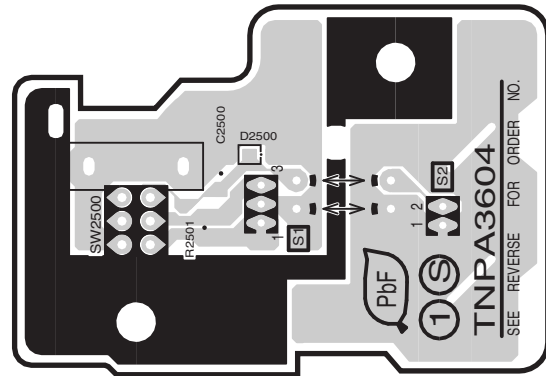
TH-37PA50H/M SS-BOARD TNPA3544AB  
 TH-42PA50A/H/M SS-BOARD TNPA3544

TH-37PA50H/M SS-BOARD TNPA3544AB  
 TH-42PA50A/H/M SS-BOARD TNPA3544

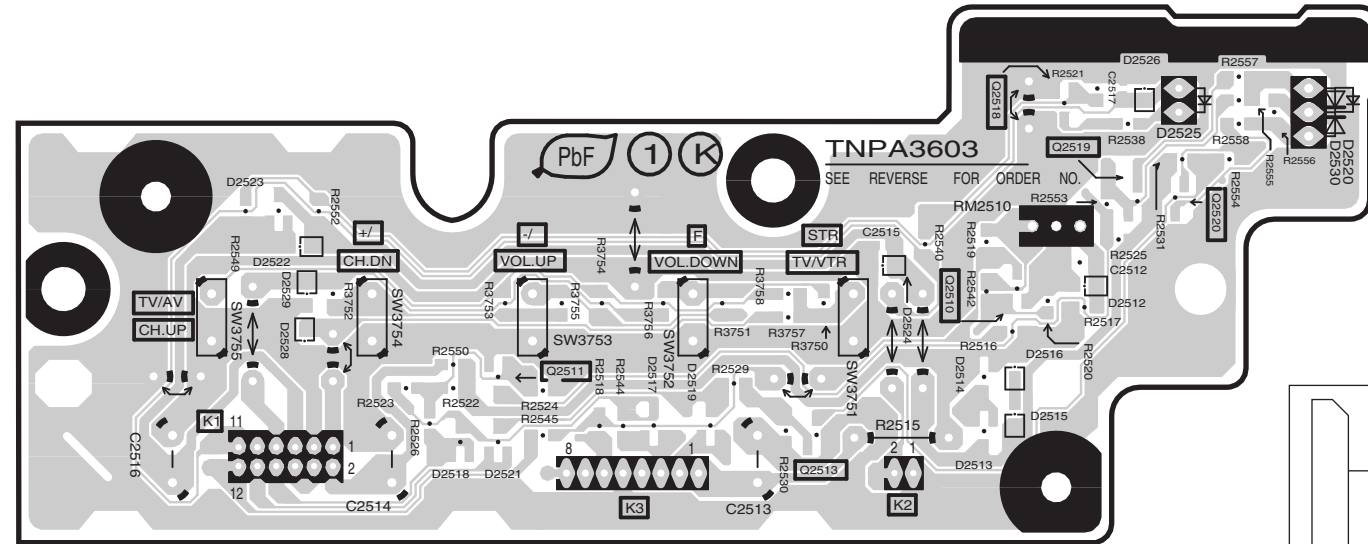
13.20. K and S-Board

6  
5  
4  
3  
2  
1

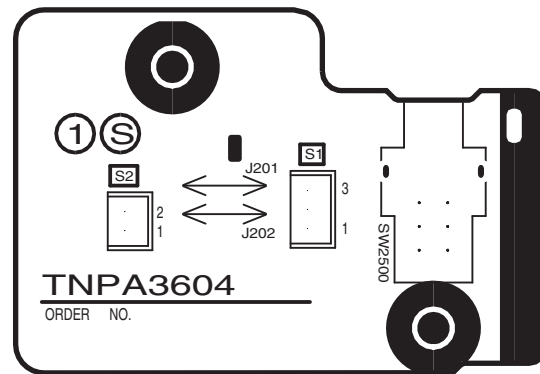
**S-BOARD (FOIL SIDE)  
TNPA3604AB**



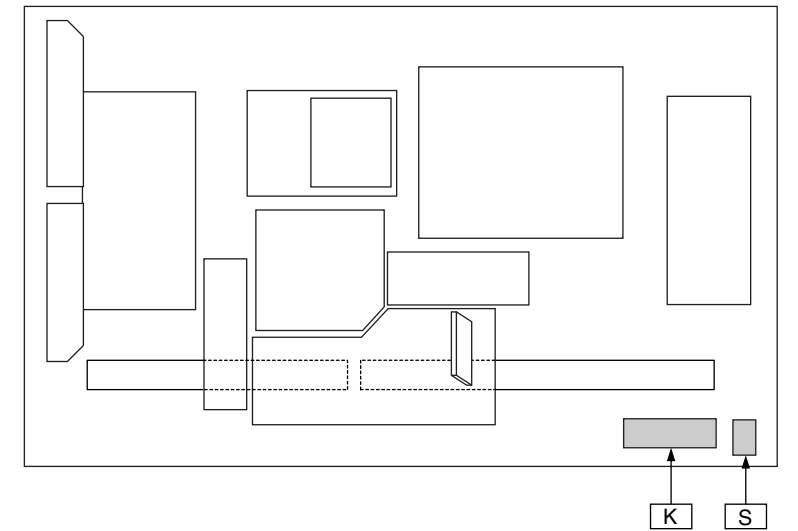
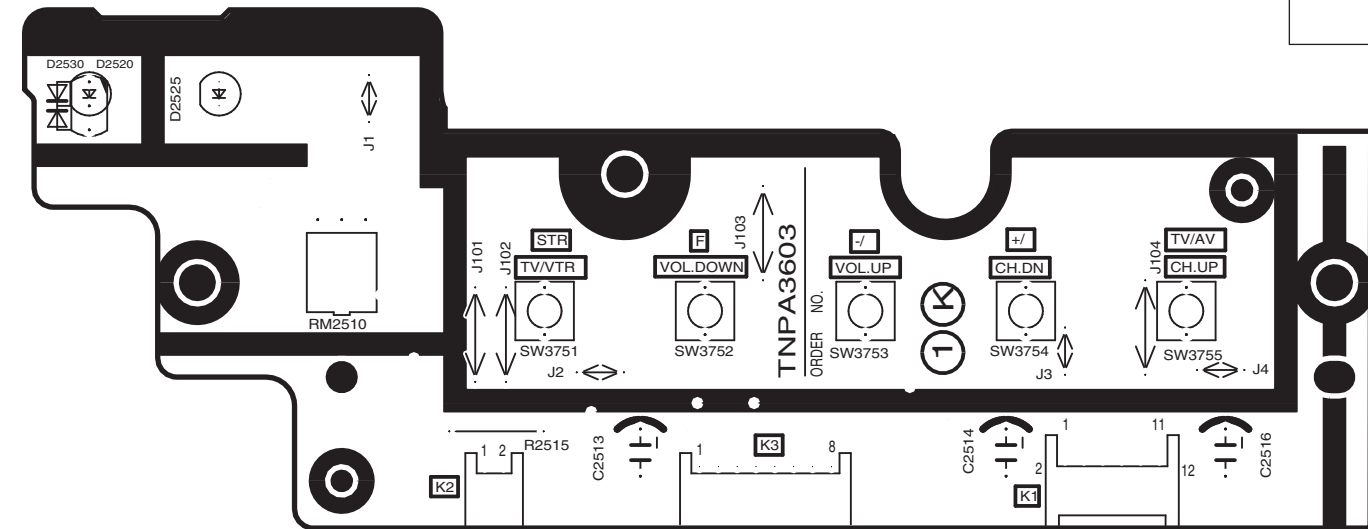
**K-BOARD (FOIL SIDE)  
TXN/K1YFSA**



**S-BOARD (COMPONENT SIDE)  
TNPA3604AB**



**K-BOARD (COMPONENT SIDE)  
TXN/K1YFSA**



TH-42PA50A/H/M  
TH-37PA50H/M  
S-BOARD TNPA3604AB  
K-BOARD TXN/K1YFSA

TH-42PA50A/H/M  
TH-37PA50H/M  
S-BOARD TNPA3604AB  
K-BOARD TXN/K1YFSA

A B C D E F G H I





# 14 Block and Schematic Diagram

## 14.1. Schematic Diagram Notes

### Important Safety Notice

Components identified by  $\triangle$  mark have special characteristics important for safety. When replacing any of these components, use only manufacture's specified parts.

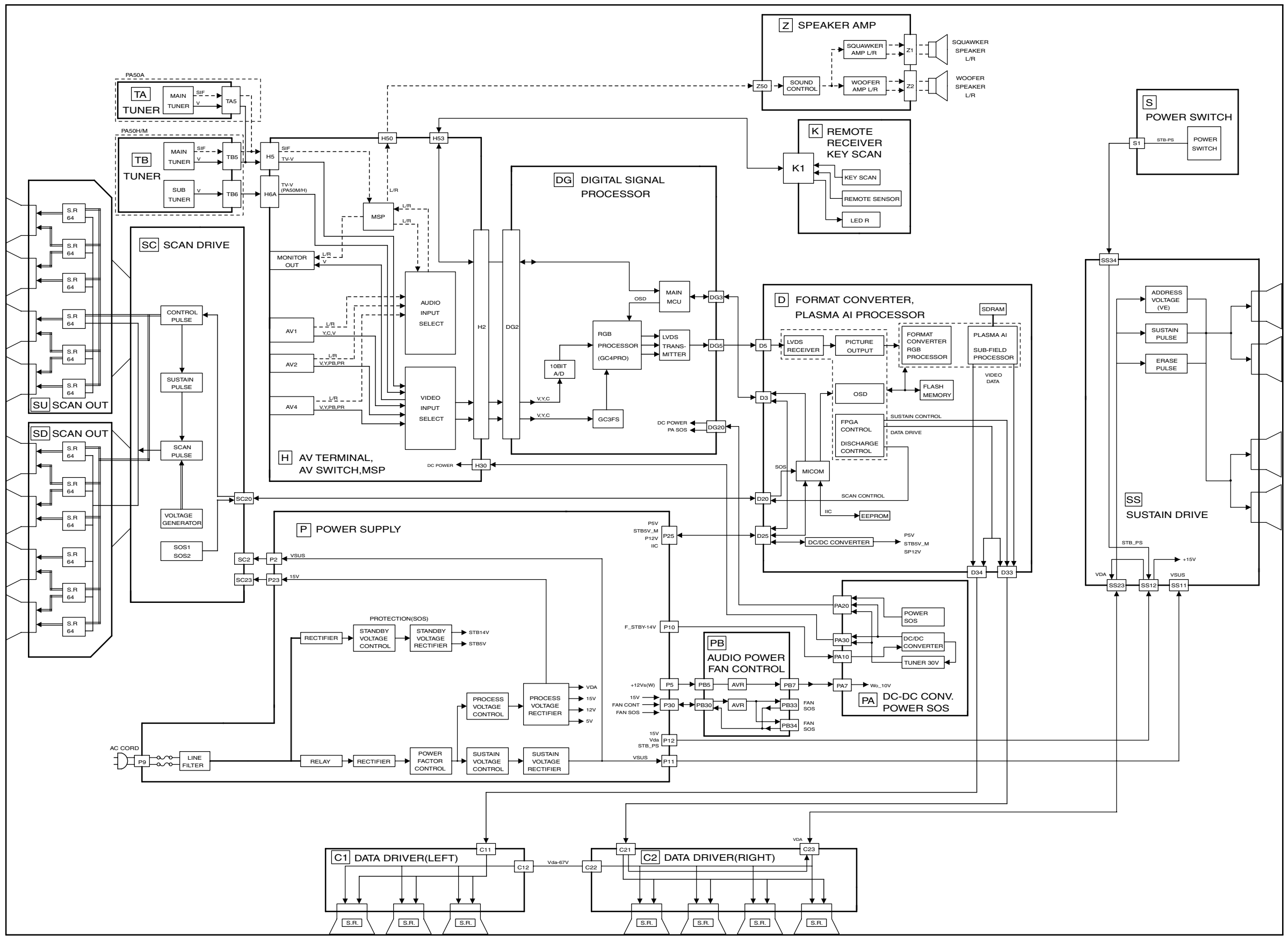
#### Notes:

1. **Resistor**  
Unit of resistance is OHM [ $\Omega$ ] (K=1,000, M=1,000,000).
2. **Capacitor**  
Unit of capacitance is  $\mu$ F, unless otherwise noted.
3. **Coil**  
Unit of inductance is H, unless otherwise noted.
4. **Test Point**  
○ : Test Point position
5. **Earth Symbol**  
⏏ : Chassis Earth (Cold)      ⚡ : Line Earth (Hot)
6. **Voltage Measurement**  
Voltage is measured by a DC voltmeter.  
Conditions of the measurement are the following:  
Power Source ..... AC220-240V, 50/60Hz  
Receiving Signal ..... Colour Bar signal (RF)  
All customer's controls ..... Maximum positions
7. When arrow mark (↗) is found, connection is easily found from the direction of arrow.
8. Indicates the major signal flow.      : Video ➡      Audio ⇔
9. This schematic diagram is the latest at the time of printing and subject to change without notice.

#### Remarks:

1. The Power Circuit contains a circuit area which uses a separate power supply to isolate the earth connection.  
The circuit is defined by HOT and COLD indications in the schematic diagram. Take the following precautions.  
All circuits, except the Power Circuit, are cold.  
Precautions
  - a. Do not touch the hot part or the hot and cold parts at the same time or you may be shocked.
  - b. Do not short- circuit the hot and cold circuits or a fuse may blow and parts may break.
  - c. Do not connect an instrument, such as an oscilloscope, to the hot and cold circuits simultaneously or a fuse may blow.  
Connect the earth of instruments to the earth connection of the circuit being measured.
  - d. Make sure to disconnect the power plug before removing the chassis.

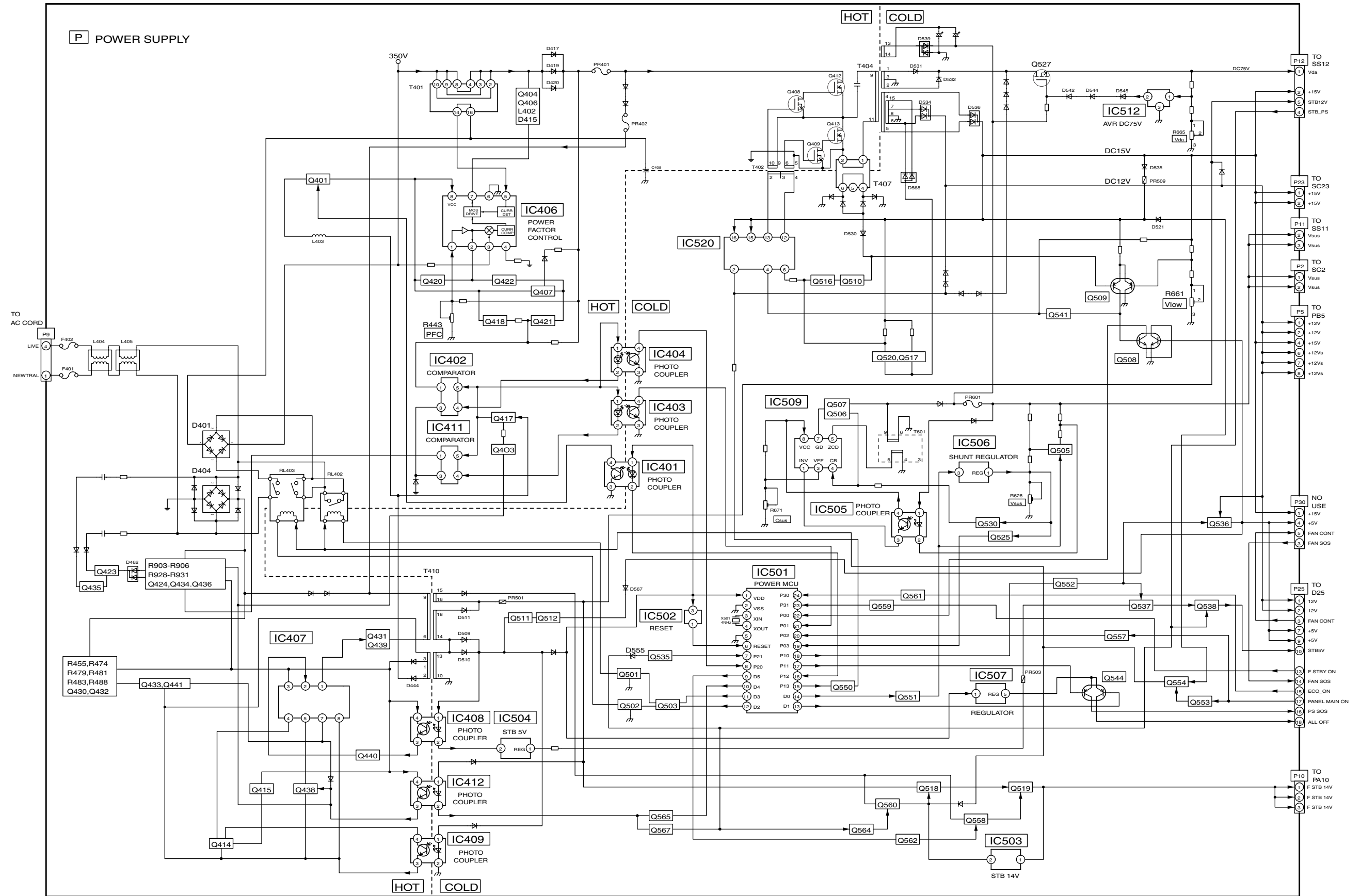
### 14.2. Main Block Diagram



TH-42PA50A/M/H, TH-37PA50M/H Main Block Diagram

TH-42PA50A/M/H, TH-37PA50M/H Main Block Diagram

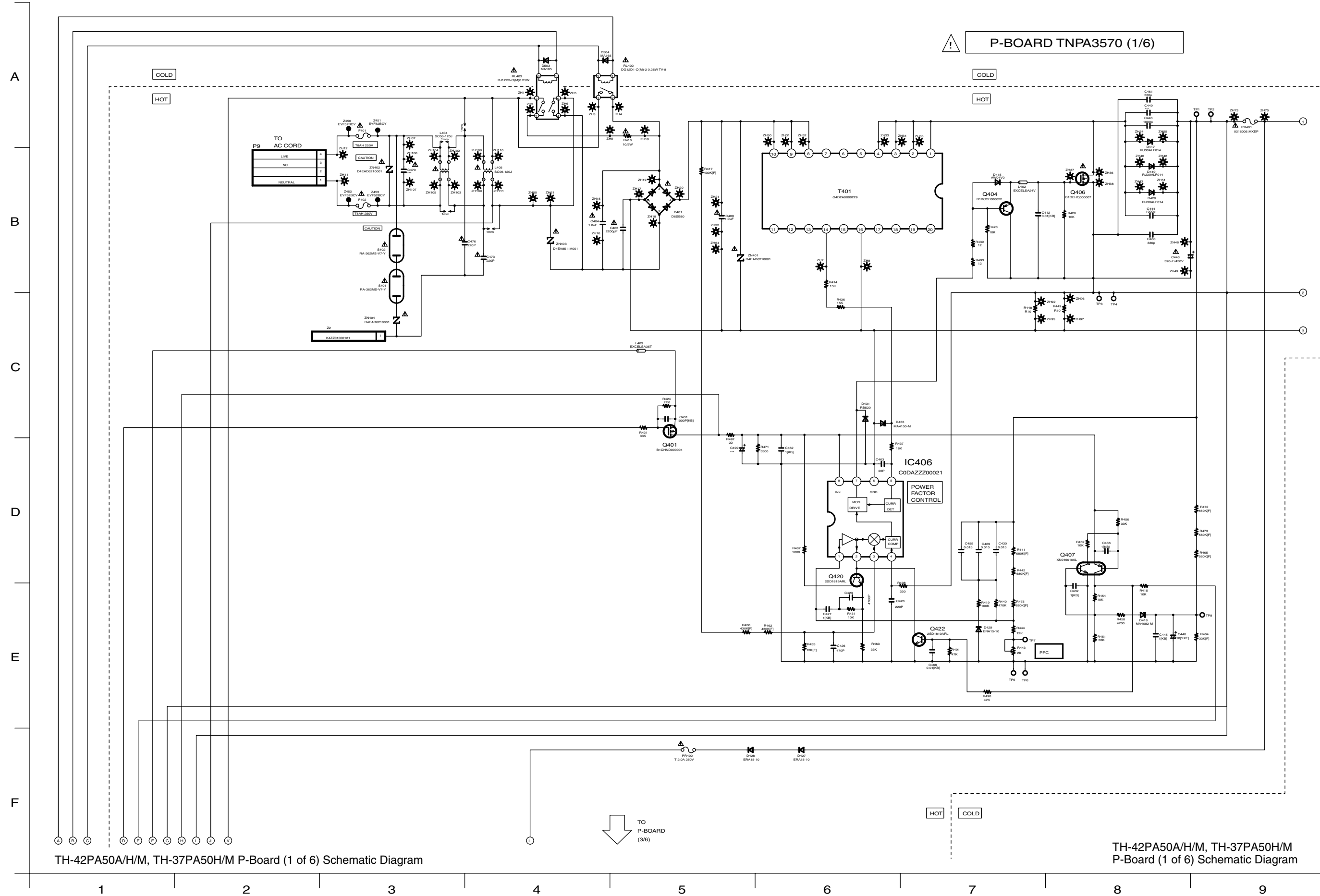
### 14.3. P-Board Block Diagram



TH-42PA50A/H/M, TH-37PA50H/M  
P-Board Block Diagram

TH-42PA50A/H/M, TH-37PA50H/M  
P-Board Block Diagram

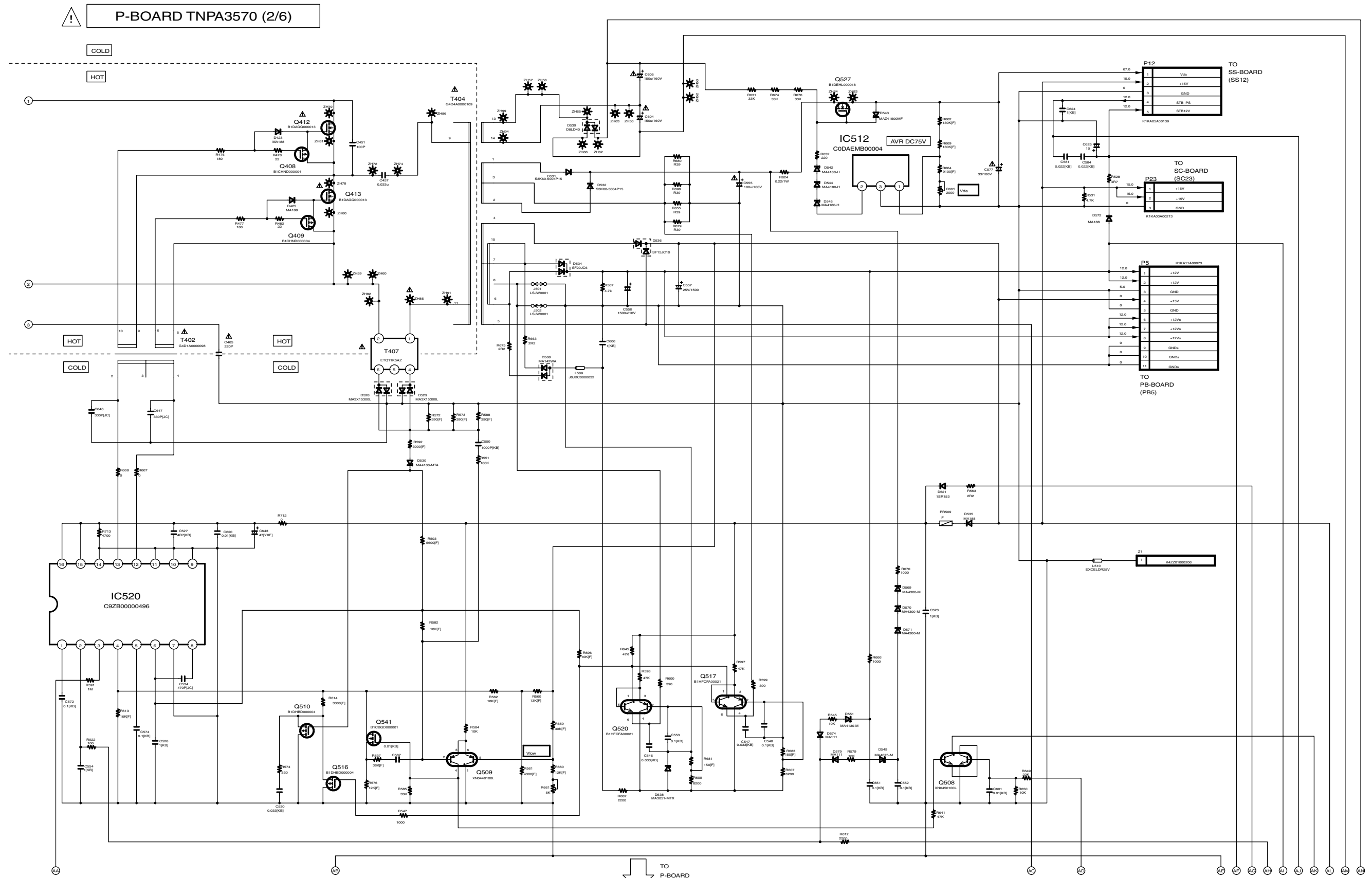
### 14.4. P-Board (1 of 6) Schematic Diagram



TH-42PA50A/H/M, TH-37PA50H/M P-Board (1 of 6) Schematic Diagram

TH-42PA50A/H/M, TH-37PA50H/M P-Board (1 of 6) Schematic Diagram

# 14.5. P-Board (2 of 6) Schematic Diagram



TH-42PA50A/H/M, TH-37PA50H/M P-Board (2 of 6) Schematic Diagram

TH-42PA50A/H/M, TH-37PA50H/M P-Board (2 of 6) Schematic Diagram

10

11

12

13

14

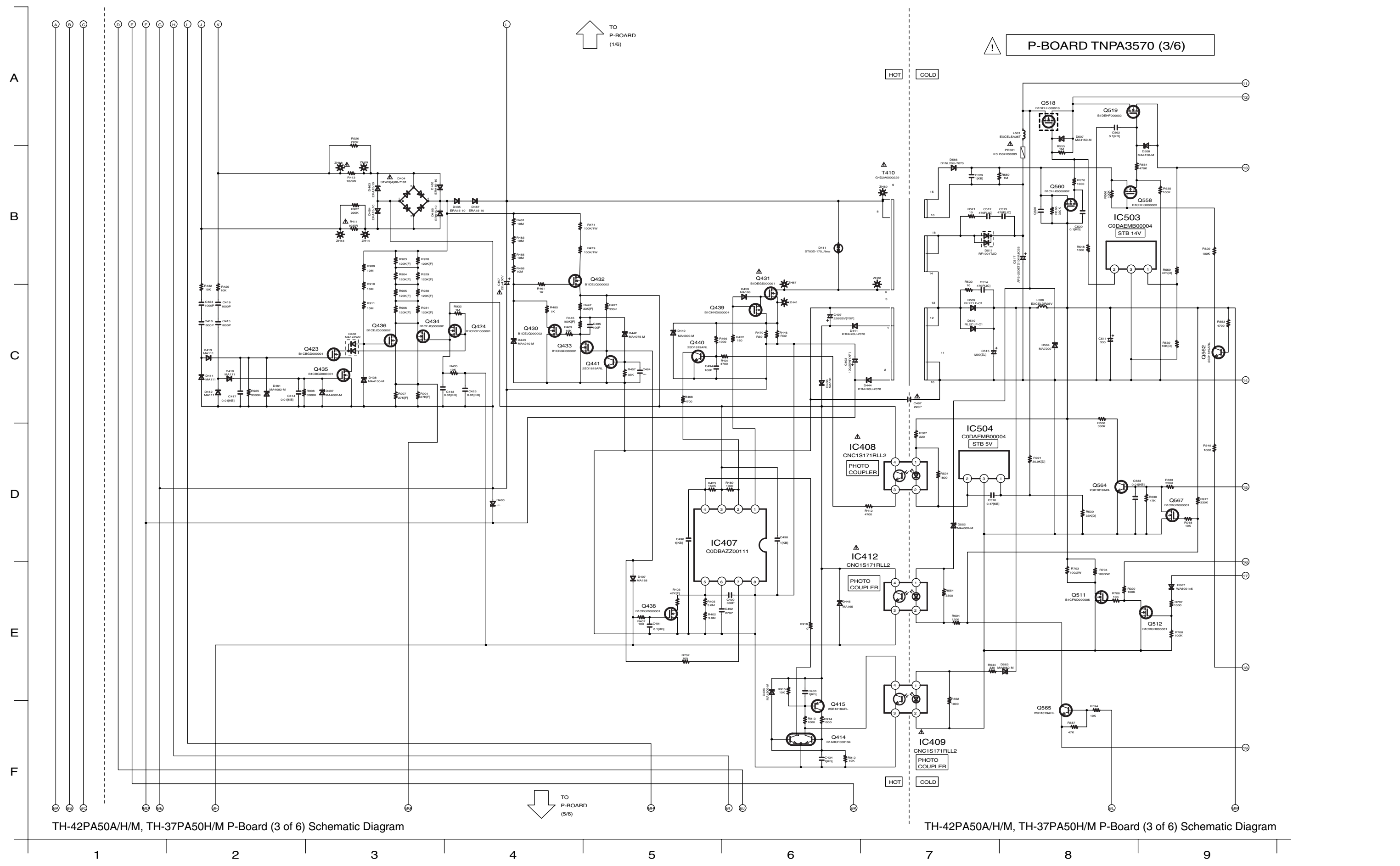
15

16

17

18

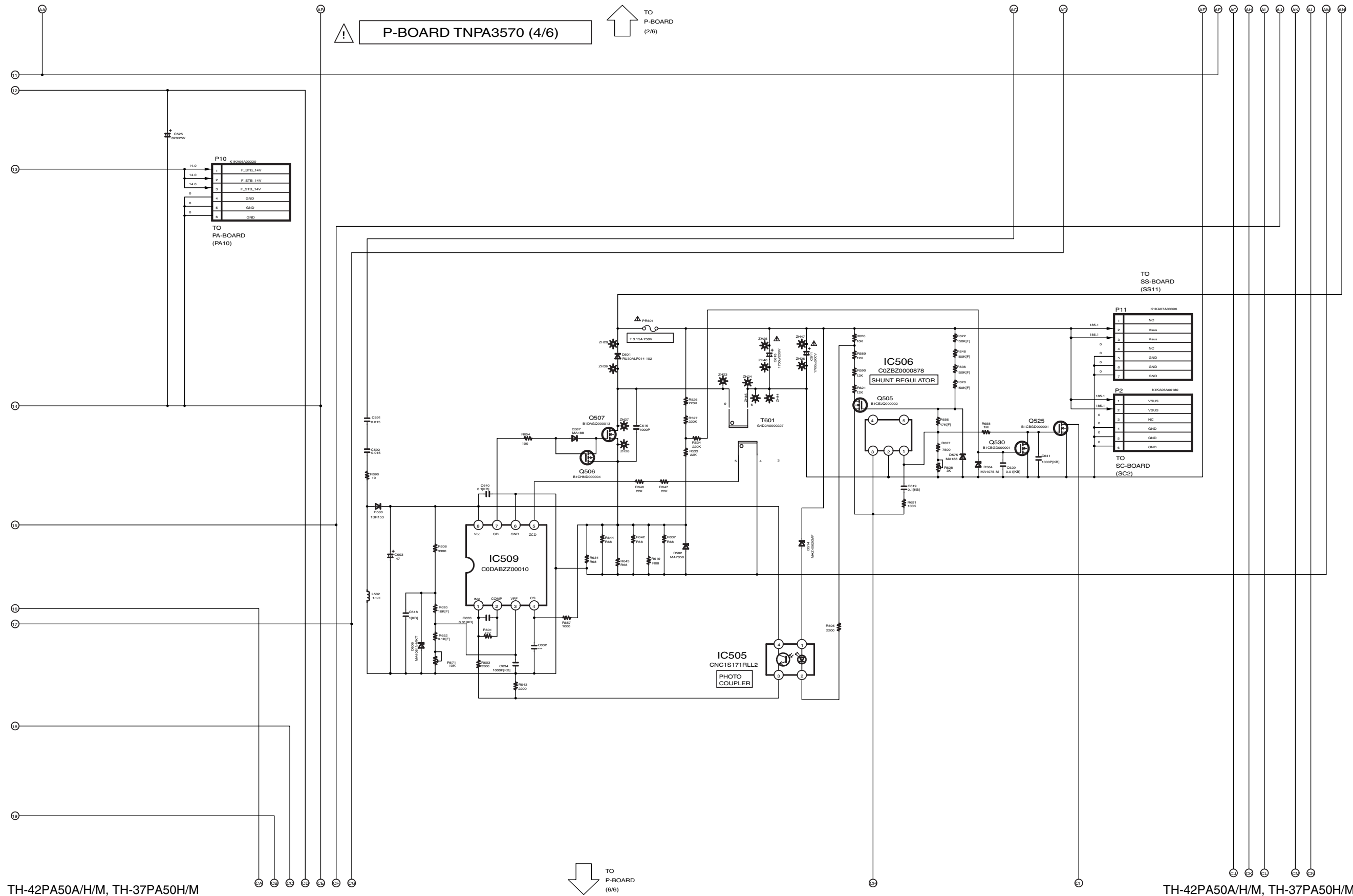
### 14.6. P-Board (3 of 6) Schematic Diagram



TH-42PA50A/H/M, TH-37PA50H/M P-Board (3 of 6) Schematic Diagram

TH-42PA50A/H/M, TH-37PA50H/M P-Board (3 of 6) Schematic Diagram

### 14.7. P-Board (4 of 6) Schematic Diagram

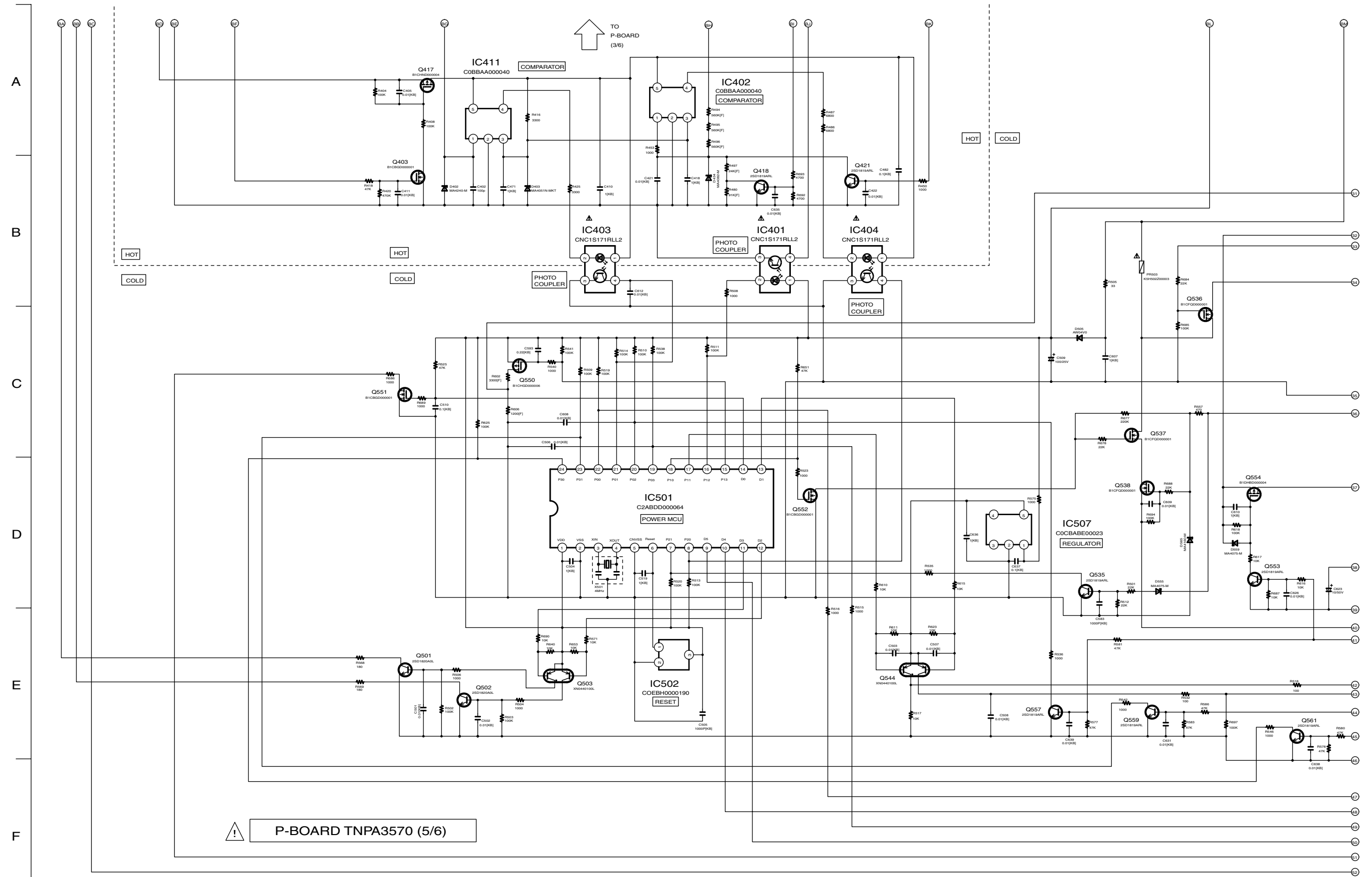


TH-42PA50A/H/M, TH-37PA50H/M  
P-Board (4 of 6) Schematic Diagram

TH-42PA50A/H/M, TH-37PA50H/M  
P-Board (4 of 6) Schematic Diagram

10 11 12 13 14 15 16 17 18

# 14.8. P-Board (5 of 6) Schematic Diagram

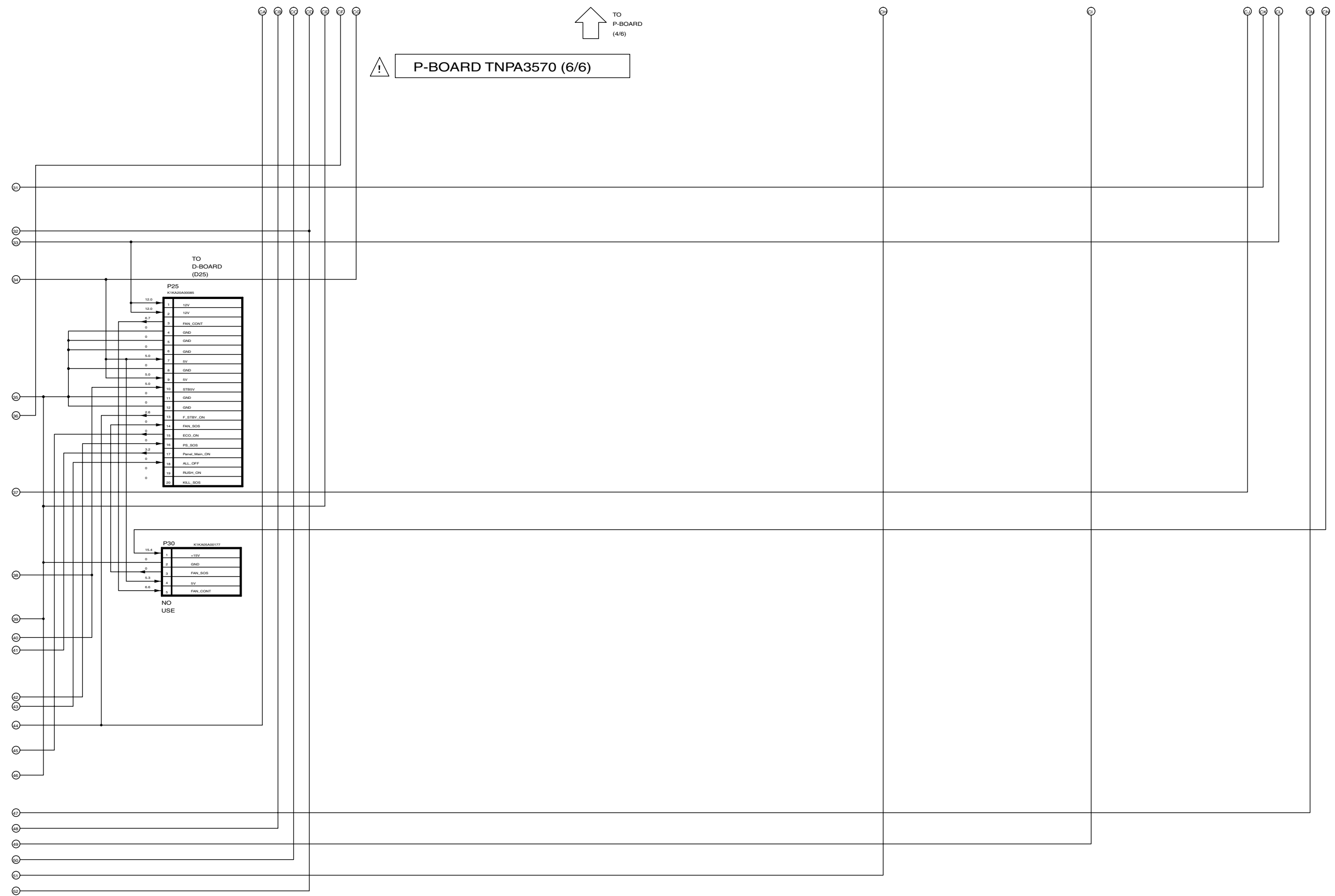


TH-42PA50A/H/M, TH-37PA50H/M  
P-Board (5 of 6) Schematic Diagram

TH-42PA50A/H/M, TH-37PA50H/M  
P-Board (5 of 6) Schematic Diagram



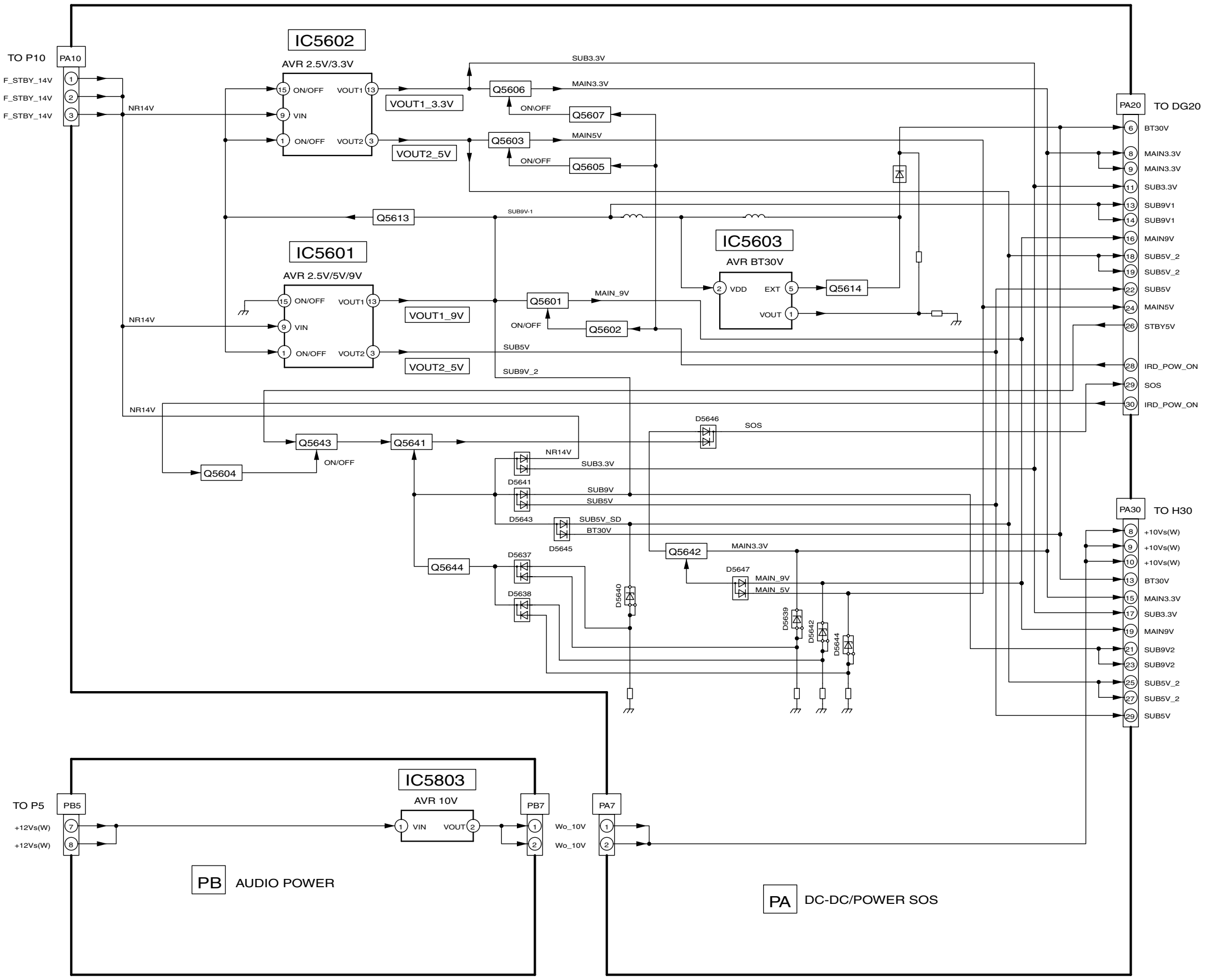
### 14.9. P-Board (6 of 6) Schematic Diagram



TH-42PA50A/H/M, TH-37PA50H/M  
P-Board (6 of 6) Schematic Diagram

TH-42PA50A/H/M, TH-37PA50H/M  
P-Board (6 of 6) Schematic Diagram

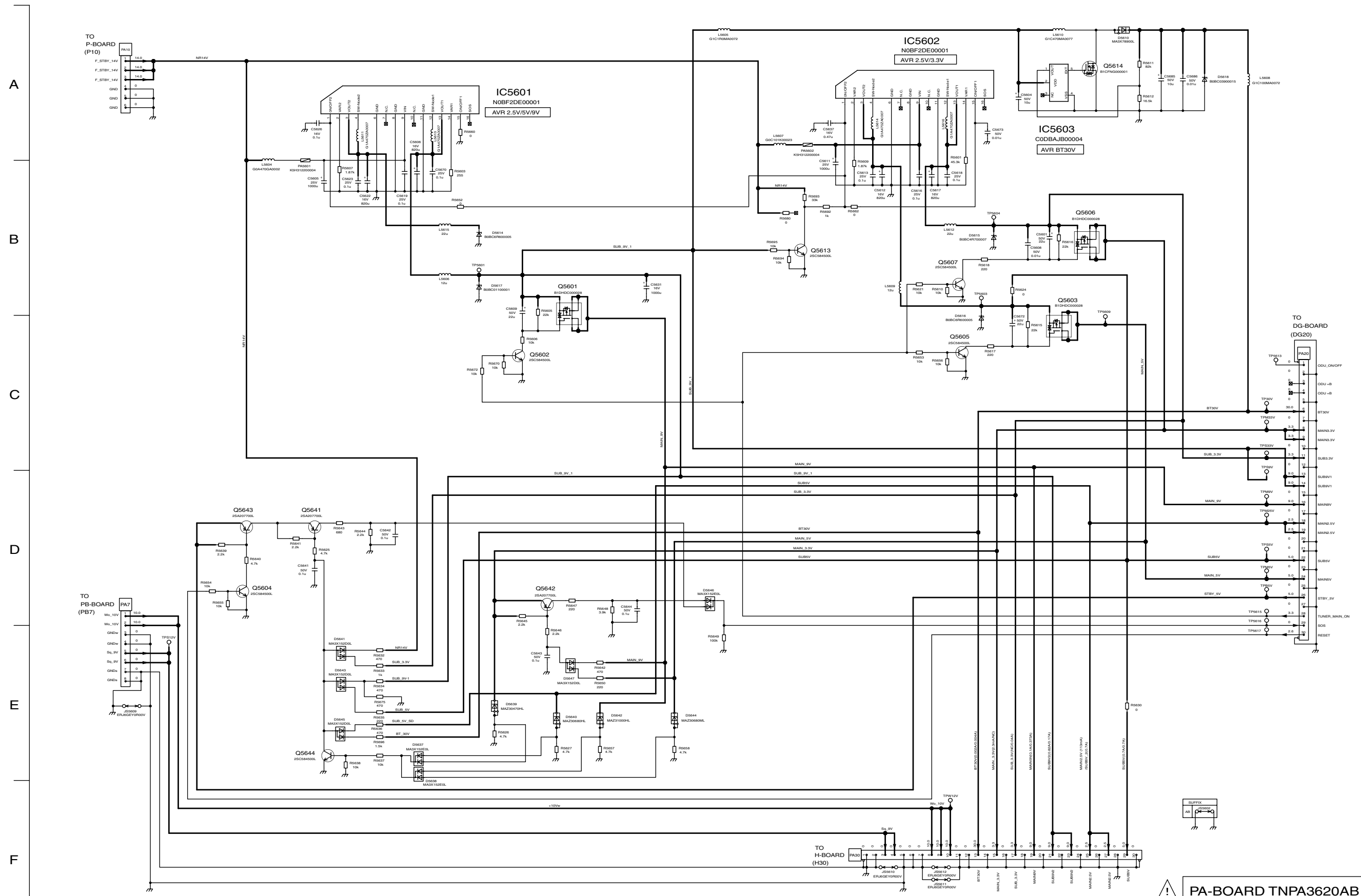
### 14.10. PA and PB-Board Block Diagram



TH-42PA50A/H/M, TH-37PA50H/M  
PA and PB-Board Block Diagram

TH-42PA50A/H/M, TH-37PA50H/M  
PA and PB-Board Block Diagram

### 14.11. PA-Board Schematic Diagram



TH-42PA50A/H/M, TH-37PA50H/M  
PA-Board Schematic Diagram

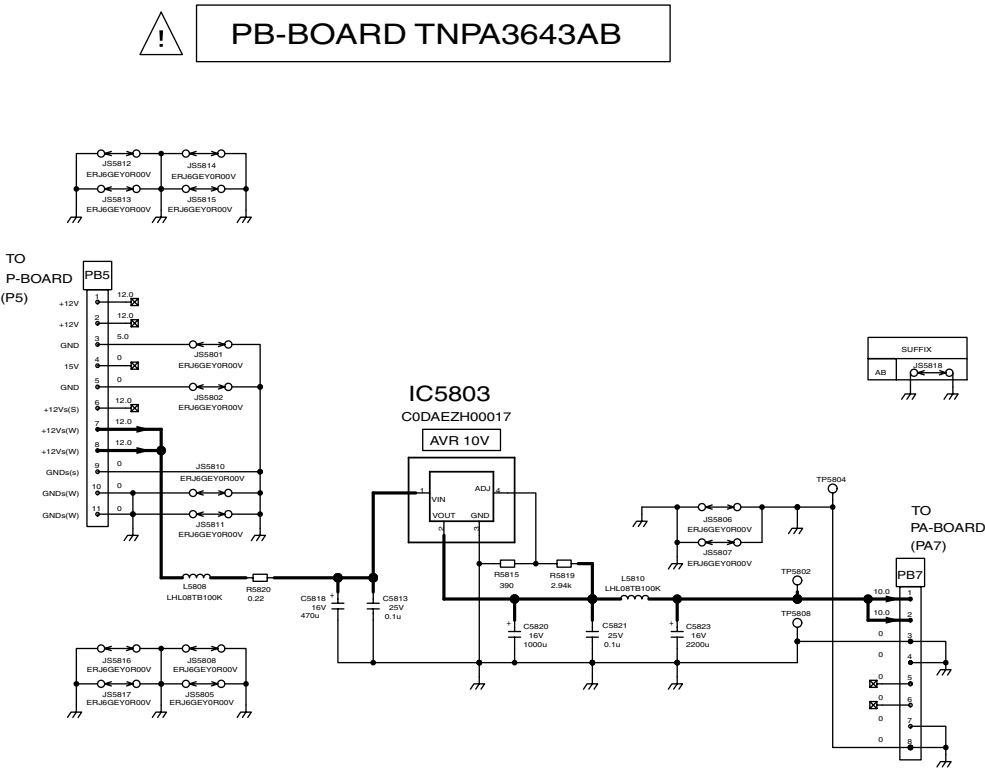
PA-BOARD TNPA3620AB

TH-42PA50A/H/M, TH-37PA50H/M  
PA-Board Schematic Diagram

1 2 3 4 5 6 7 8 9

14.12. PB-Board Schematic Diagram

A  
B  
C  
D  
E

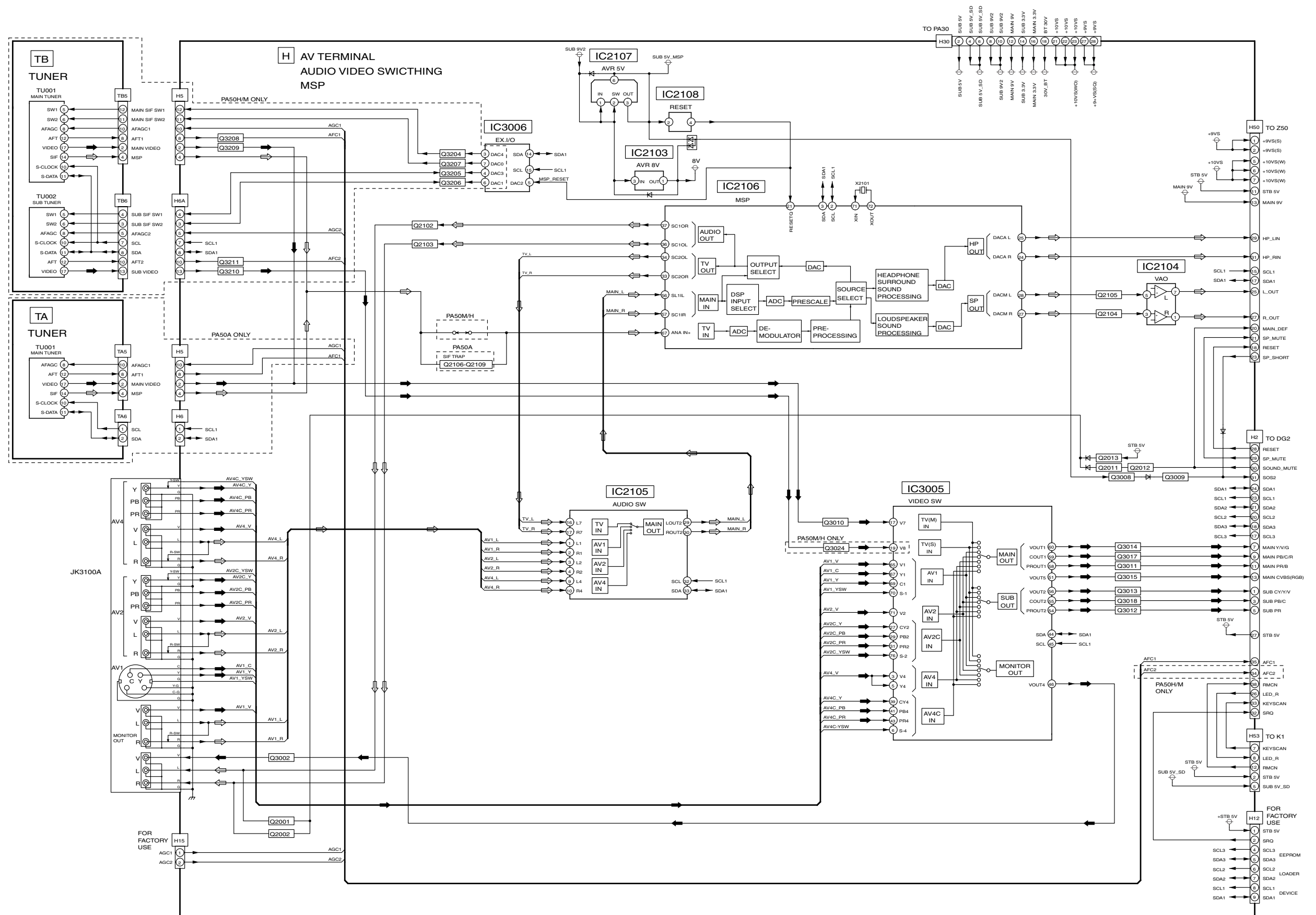


TH-42PA50A/H/M, TH-37PA50H/M  
PB-Board Schematic Diagram

TH-42PA50A/H/M, TH-37PA50H/M  
PB-Board Schematic Diagram

1 2 3 4 5 6 7 8

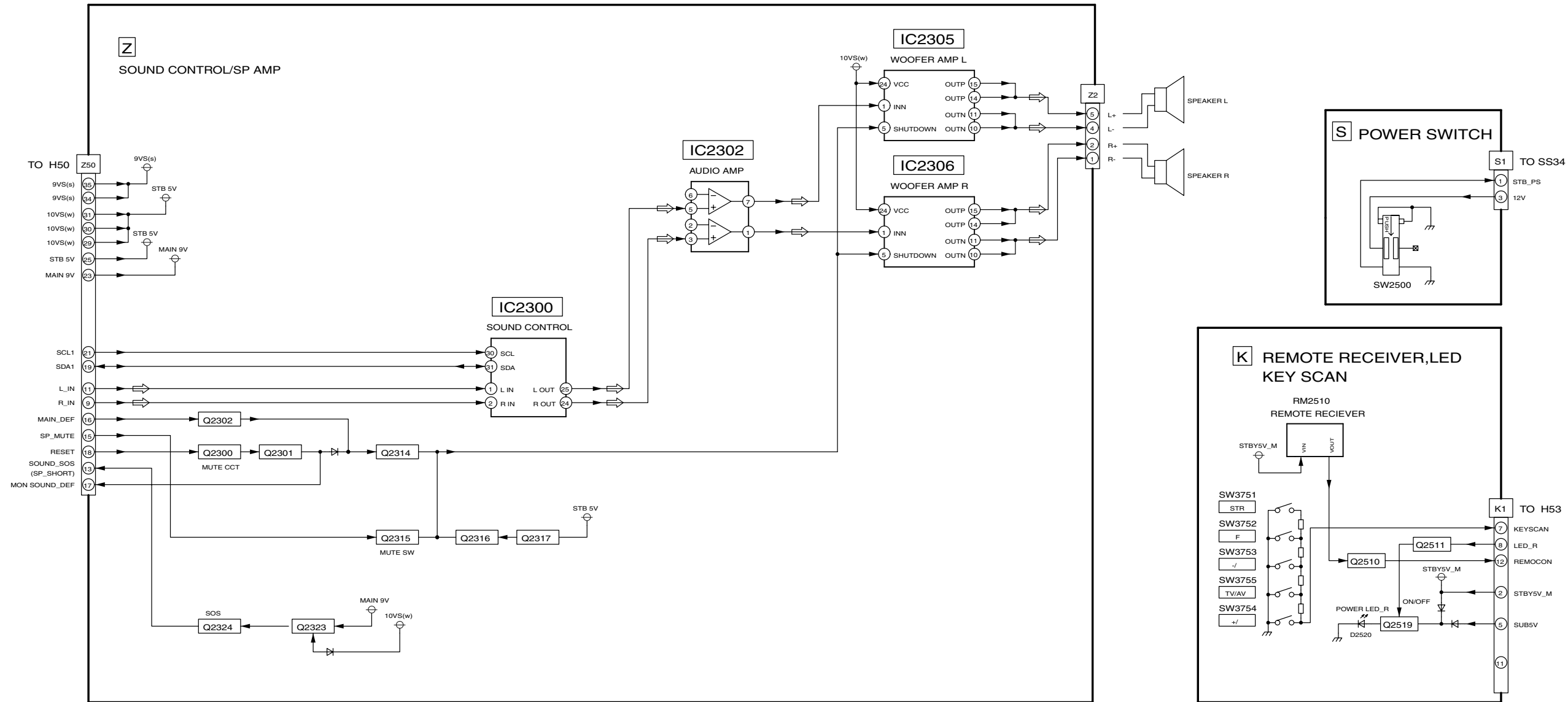
### 14.13. H, TA and TB-Board Block Diagram



TH-42PA50A H and TA-Board Block Diagram  
 TH-37/42PA50H/M H and TB-Board Block Diagram

TH-42PA50A H and TA-Board Block Diagram  
 TH-37/42PA50H/M H and TB-Board Block Diagram

### 14.14. K, S and Z-Board Block Diagram



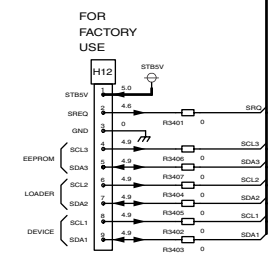
TH-42PA50A/H/M, TH-37PA50H/M  
K,S and Z-Board Block Diagram

TH-42PA50A/H/M, TH-37PA50H/M  
K,S and Z-Board Block Diagram

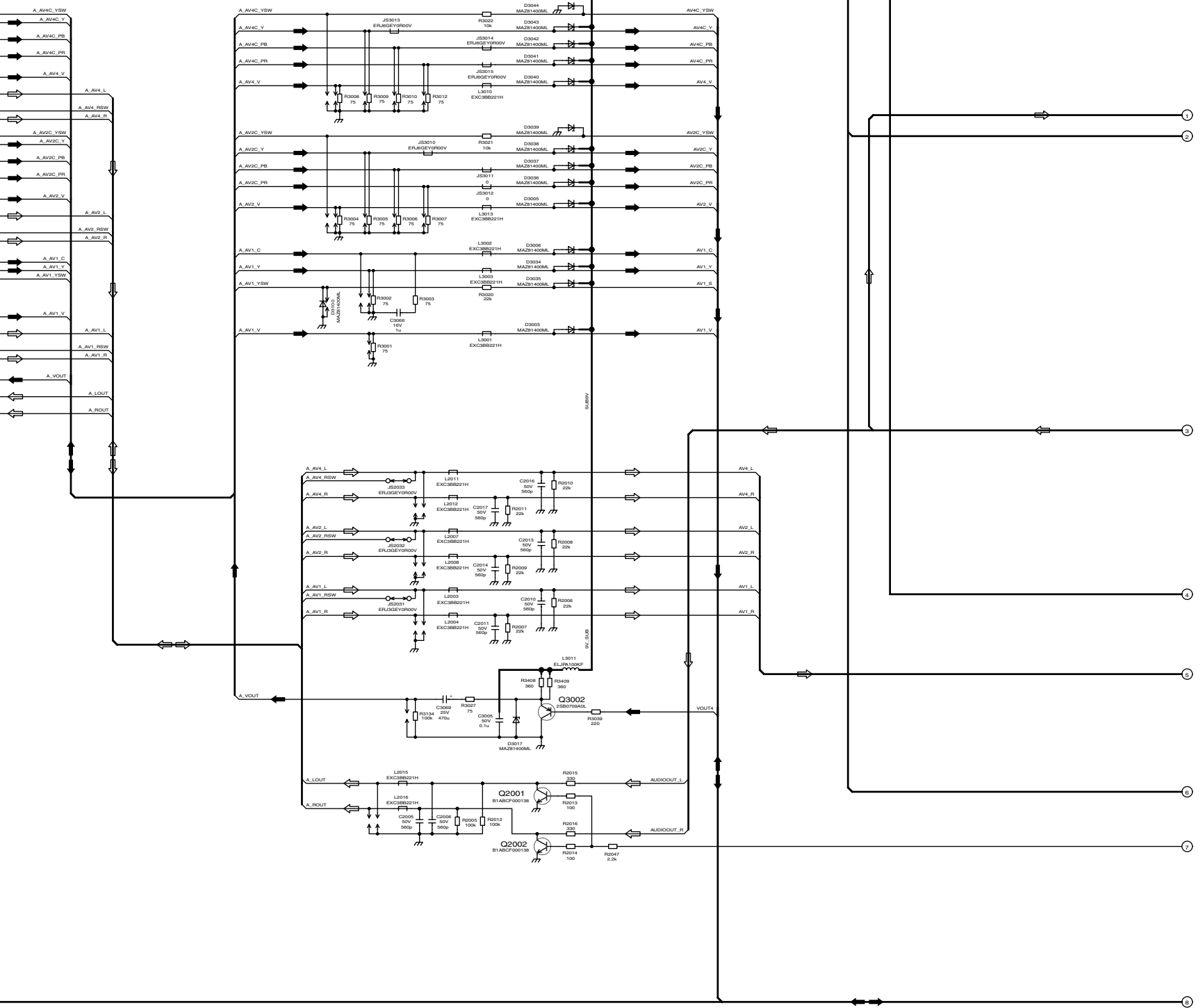
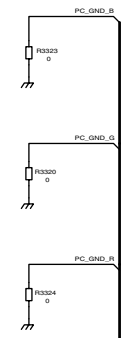
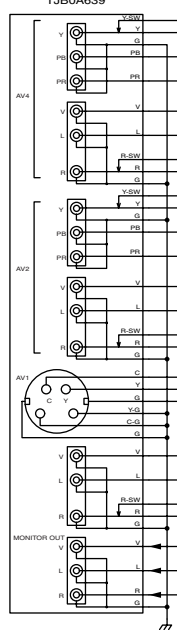
### 14.15. H Board (1 of 3) Schematic Diagram

A  
B  
C  
D  
E  
F

⚠ H-BOARD (1/3)  
TNPA3523AE (PA50H/M)  
TNPA3523AF (PA50A)

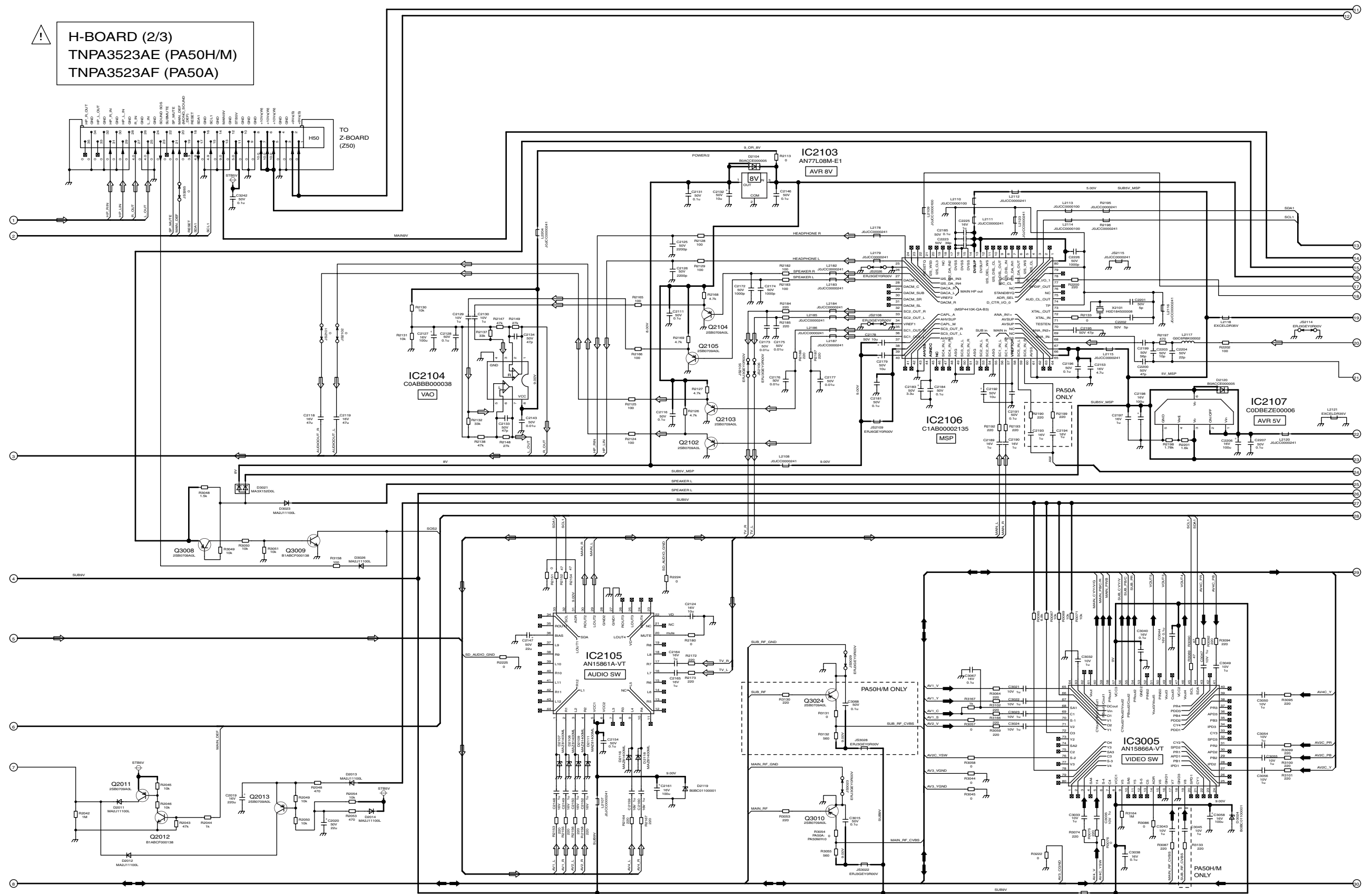


JK3100A  
TJB0A639



1  
2  
3  
4  
5  
6  
7  
8  
9

### 14.16. H-Board (2 of 3) Schematic Diagram



TH-42PA50A/H/M, TH-37PA50H/M  
H-Board (2 of 3) Schematic Diagram

TH-42PA50A/H/M, TH-37PA50H/M  
H-Board (2 of 3) Schematic Diagram

10

11

12

13

14

15

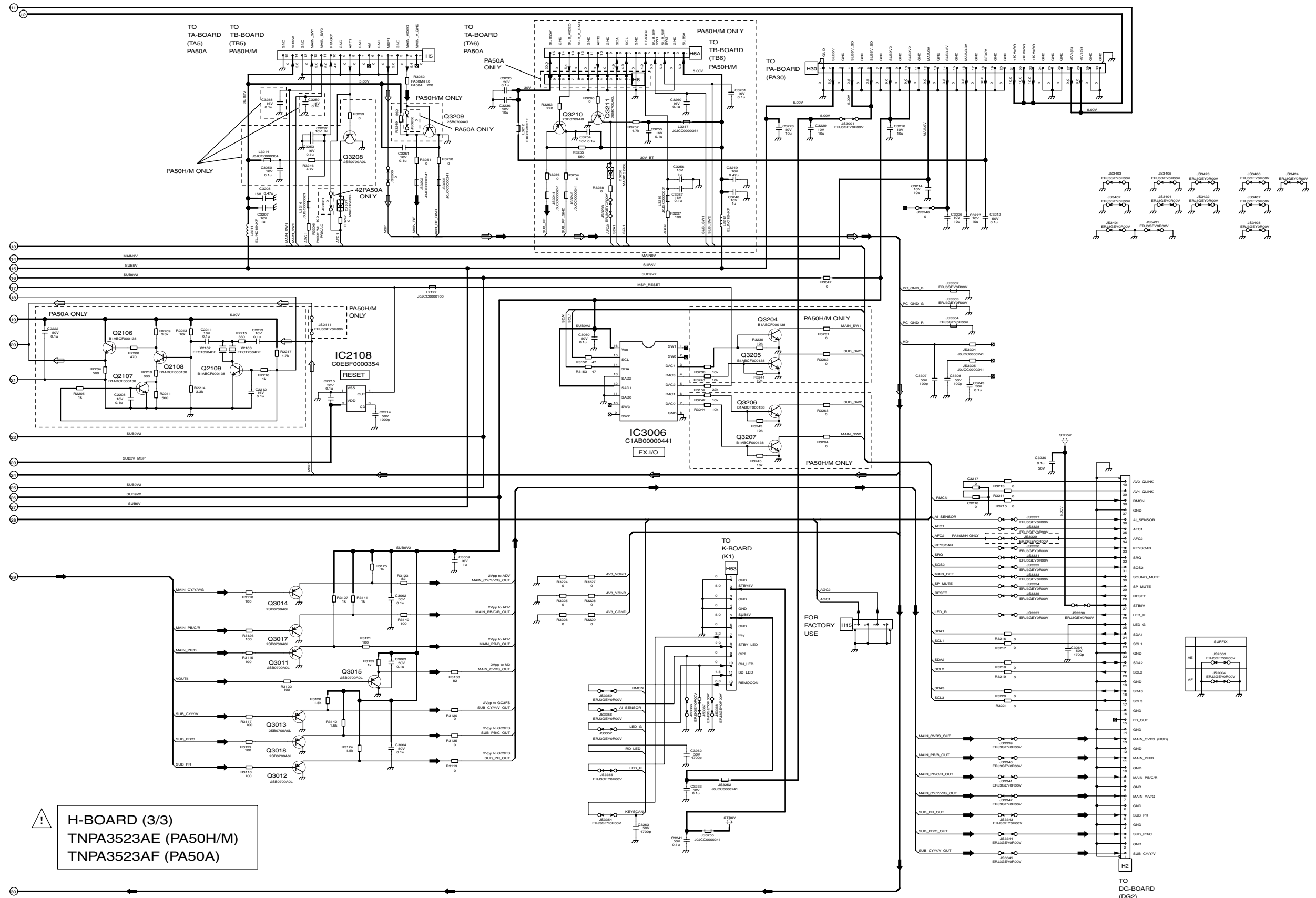
16

17

18



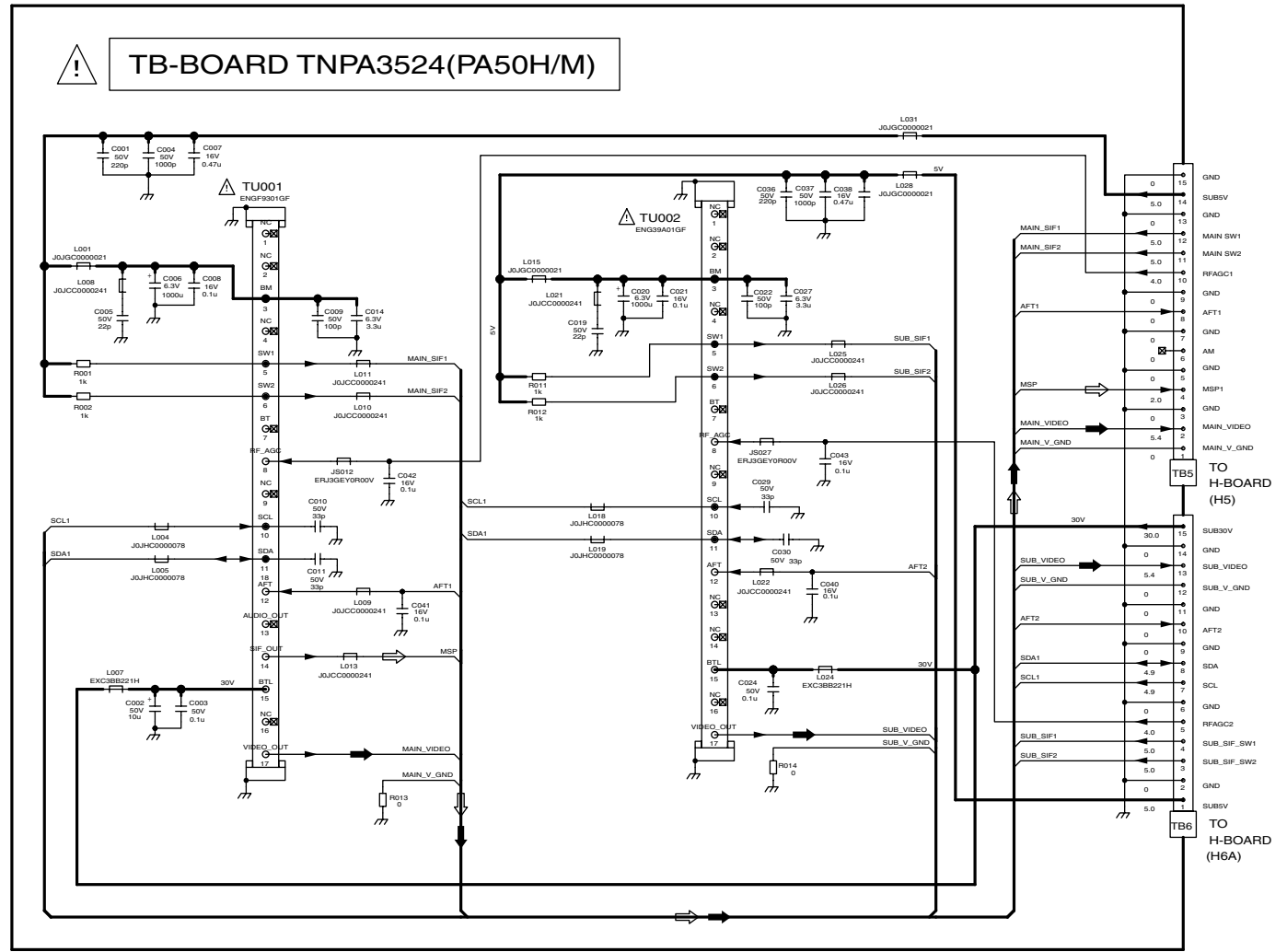
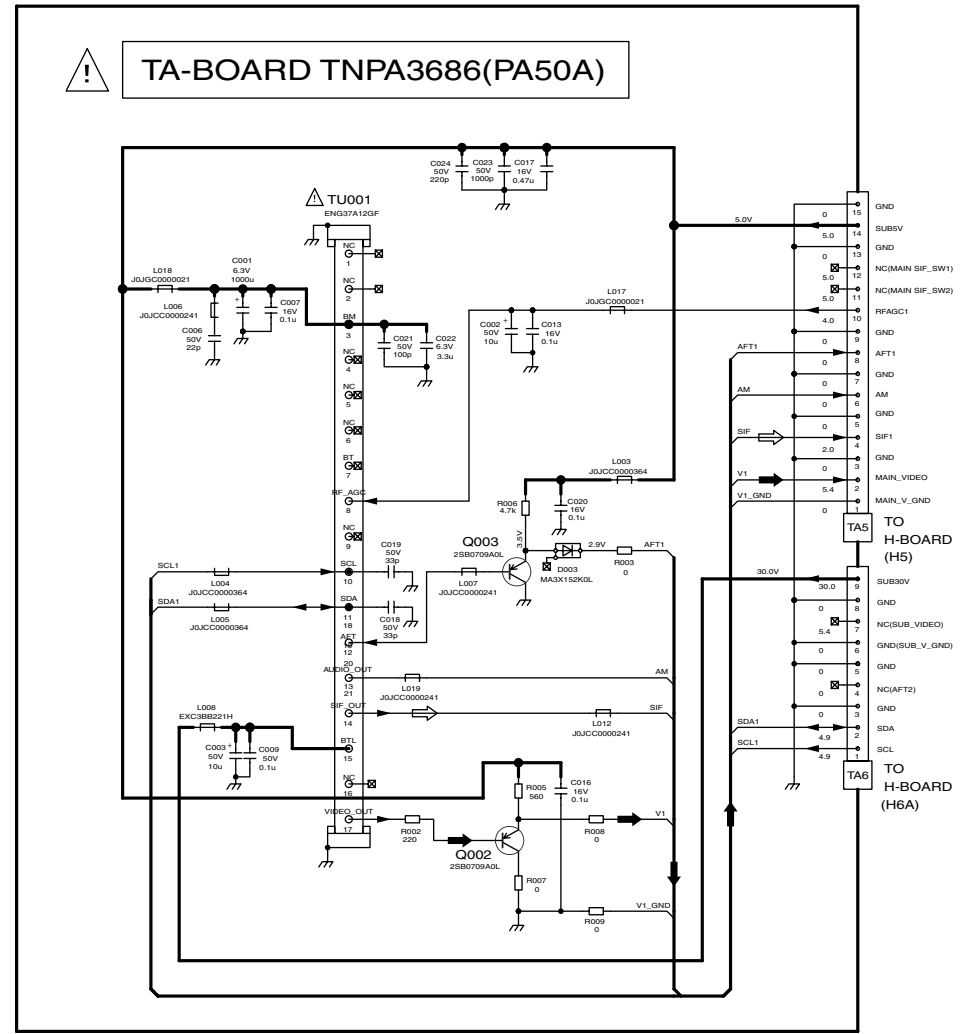
### 14.17. H-Board (3 of 3) Schematic Diagram



H-BOARD (3/3)  
TNPA3523AE (PA50H/M)  
TNPA3523AF (PA50A)

### 14.18. TA and TB-Board Schematic Diagram

A  
B  
C  
D  
E



TH-42PA50A TA-Board Schematic Diagram  
TH-37/42PA50H/M TB-Board Schematic Diagram

TH-42PA50A TA-Board Schematic Diagram  
TH-37/42PA50H/M TB-Board Schematic Diagram

1

2

3

4

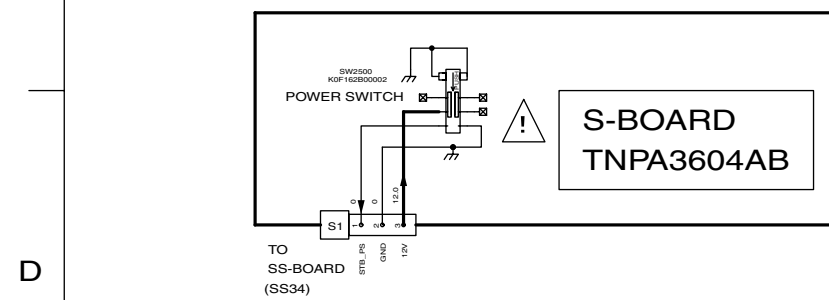
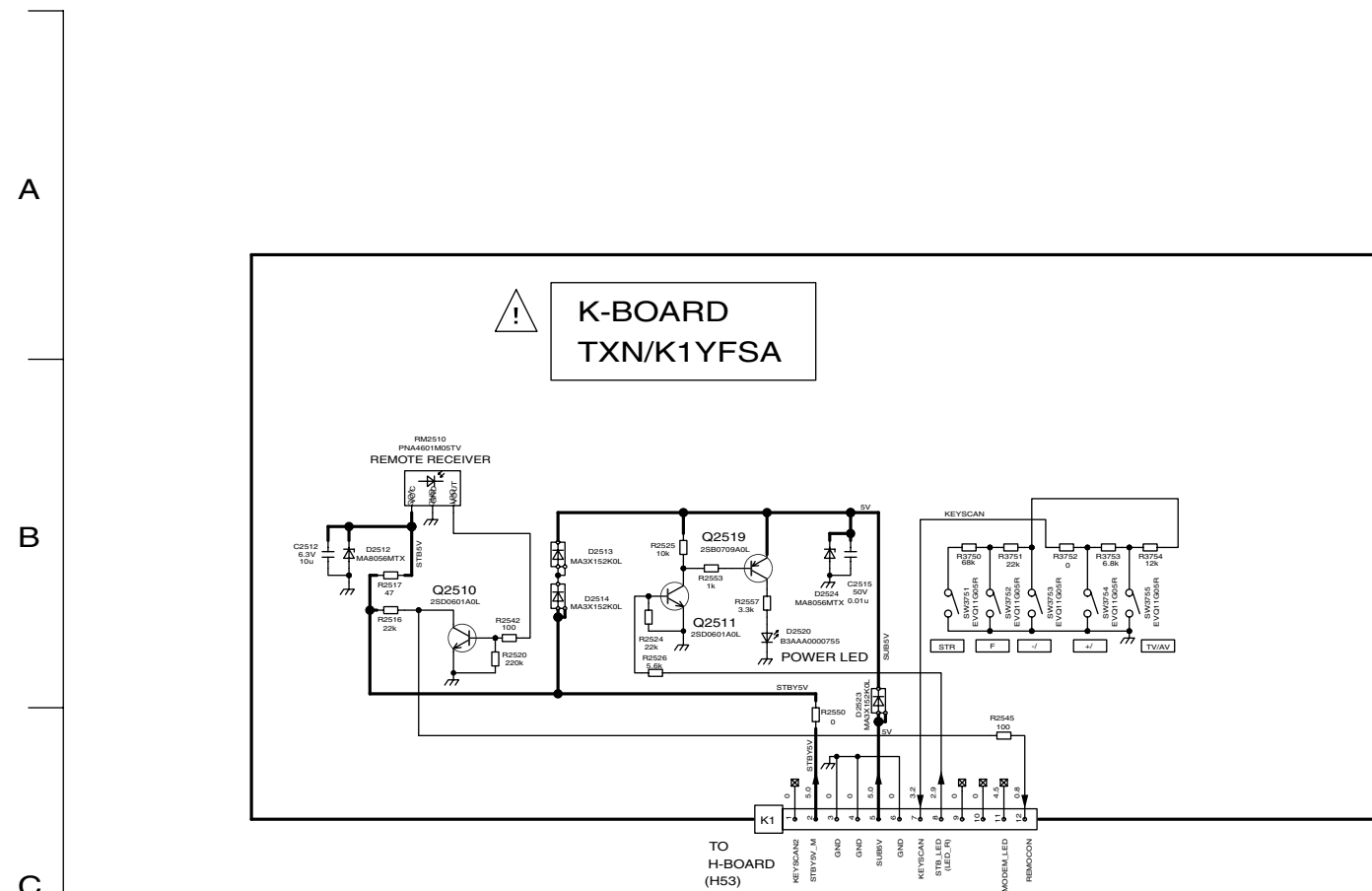
5

6

7

8

### 14.19. K and S-Board Schematic Diagram



E

TH-37PA50H/M, TH-42PA50A/H/M  
K and S-Board Schematic Diagram

TH-37PA50H/M, TH-42PA50A/H/M  
K and S-Board Schematic Diagram

1

2

3

4

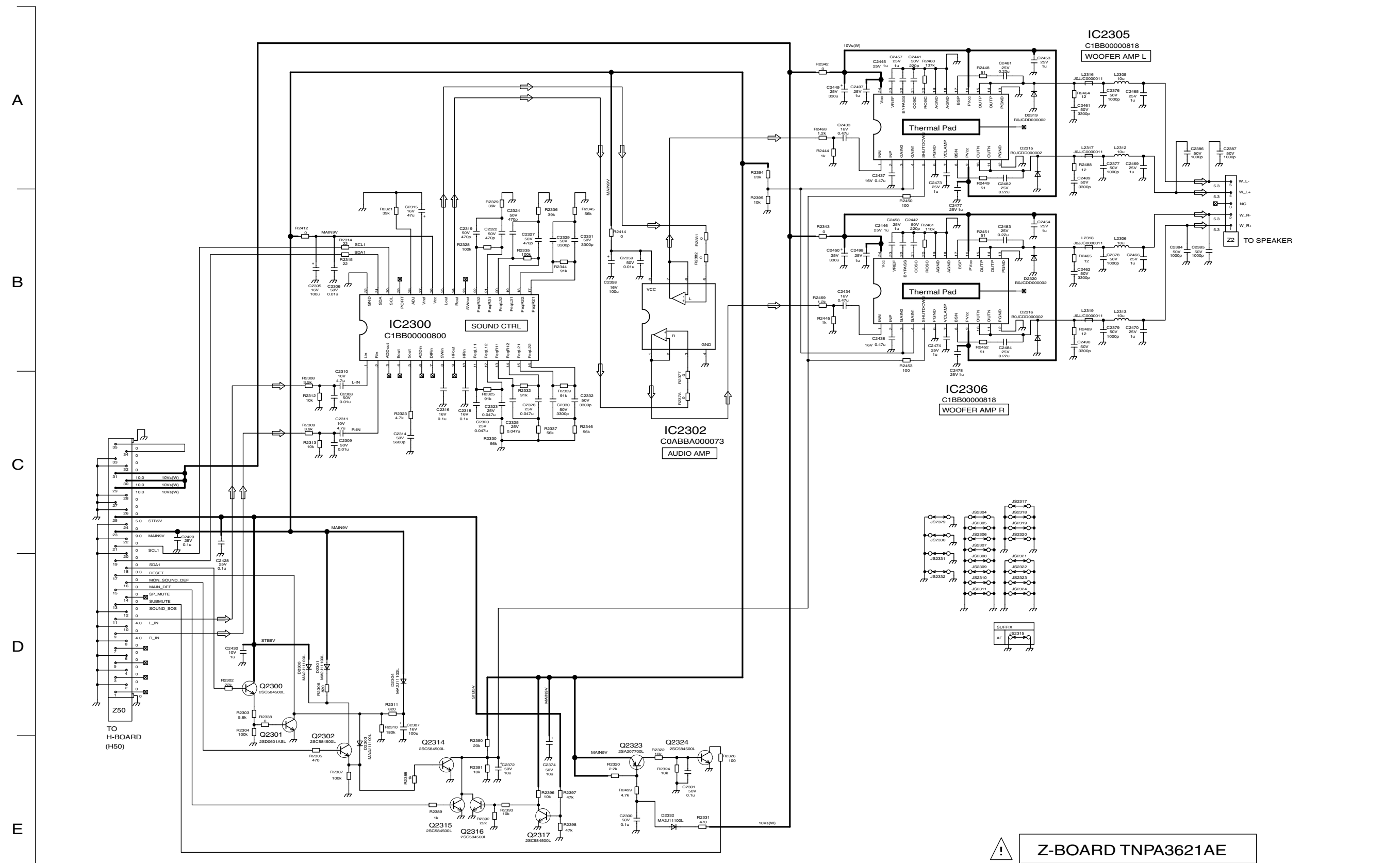
5

6

7

8

# 14.20. Z-Board Schematic Diagram



TH-42PA50A/H/M, TH-37PA50H/M  
Z-Board Schematic Diagram

TH-42PA50A/H/M, TH-37PA50H/M  
Z-Board Schematic Diagram

1

2

3

4

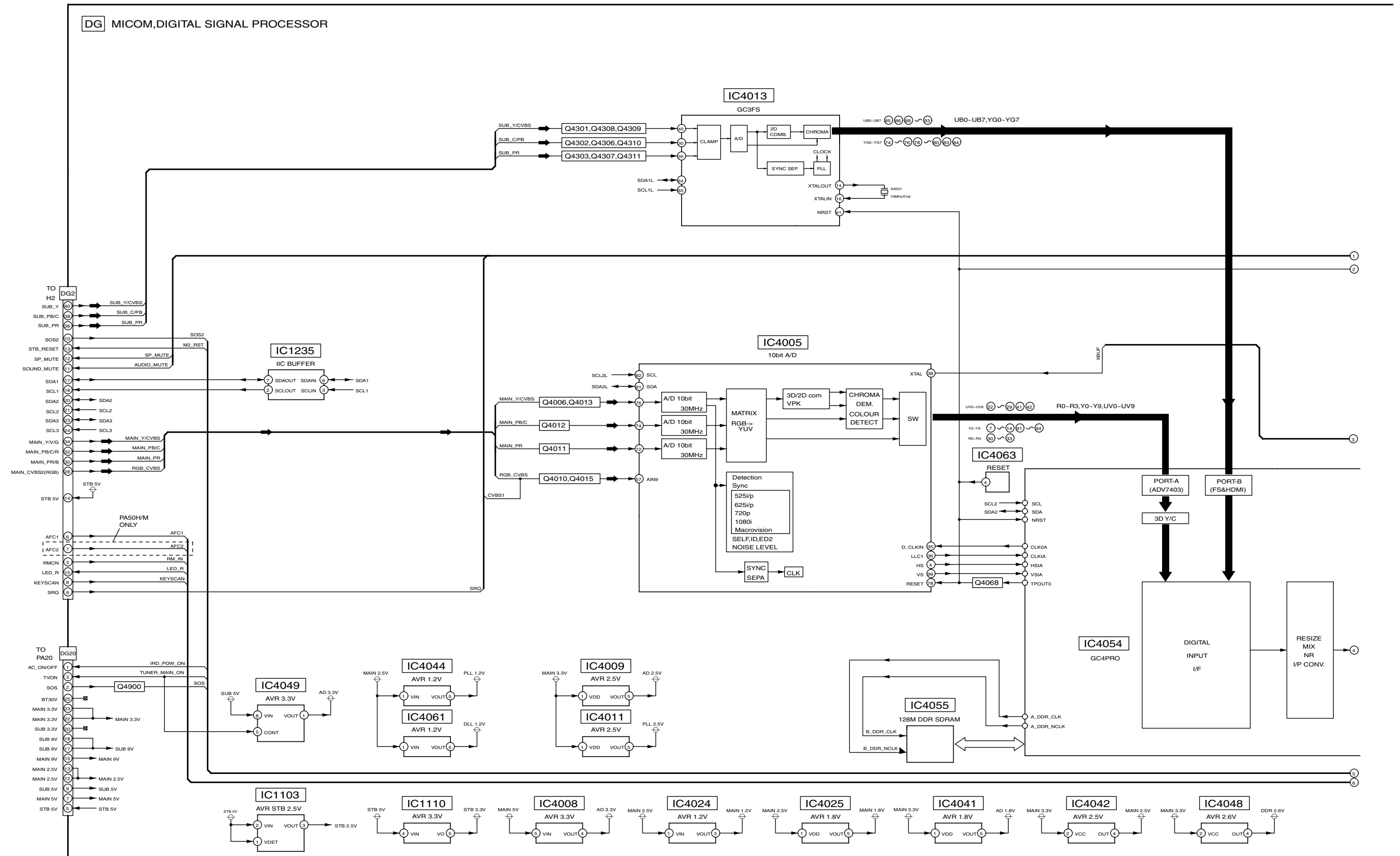
5

6

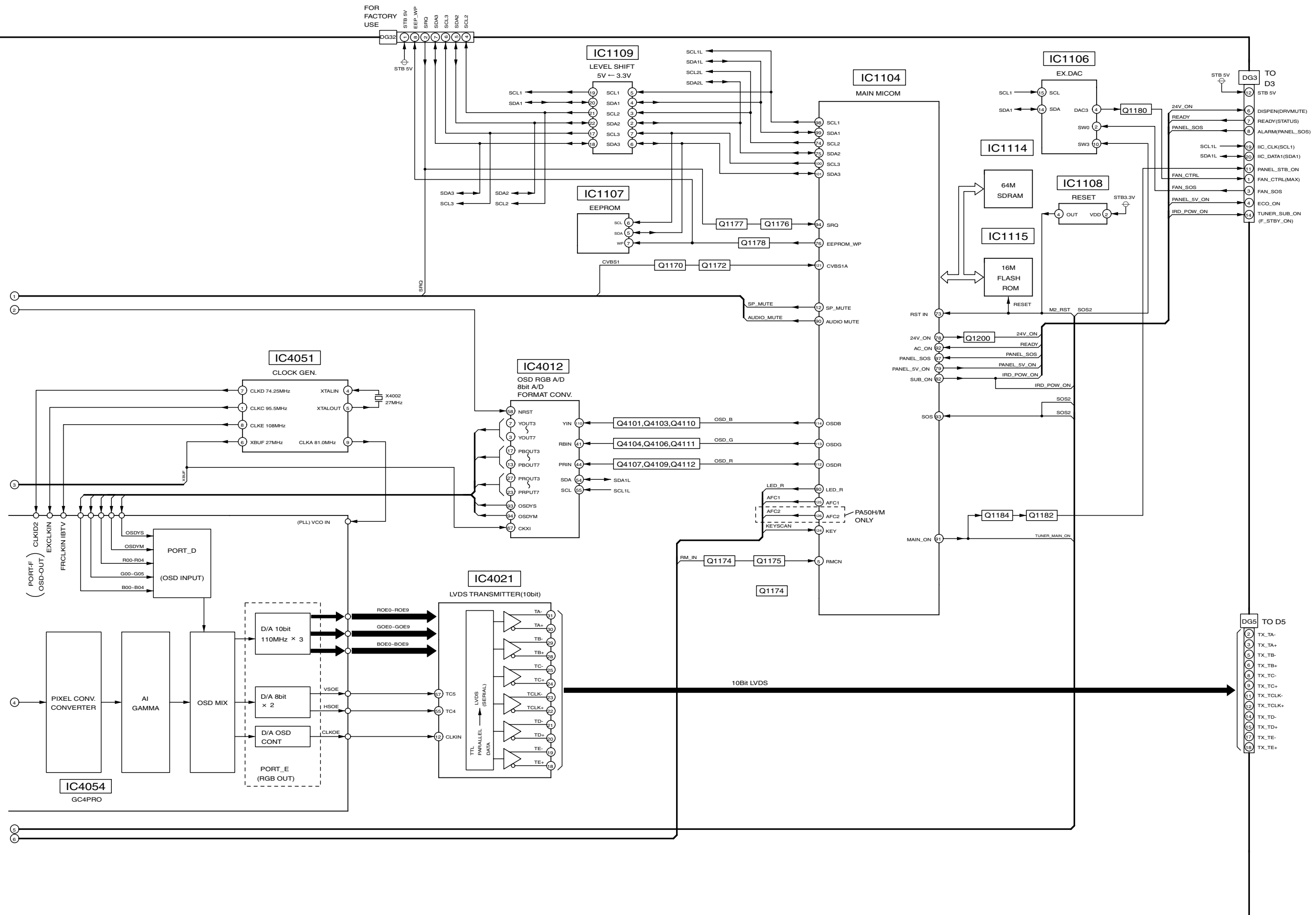
7

8

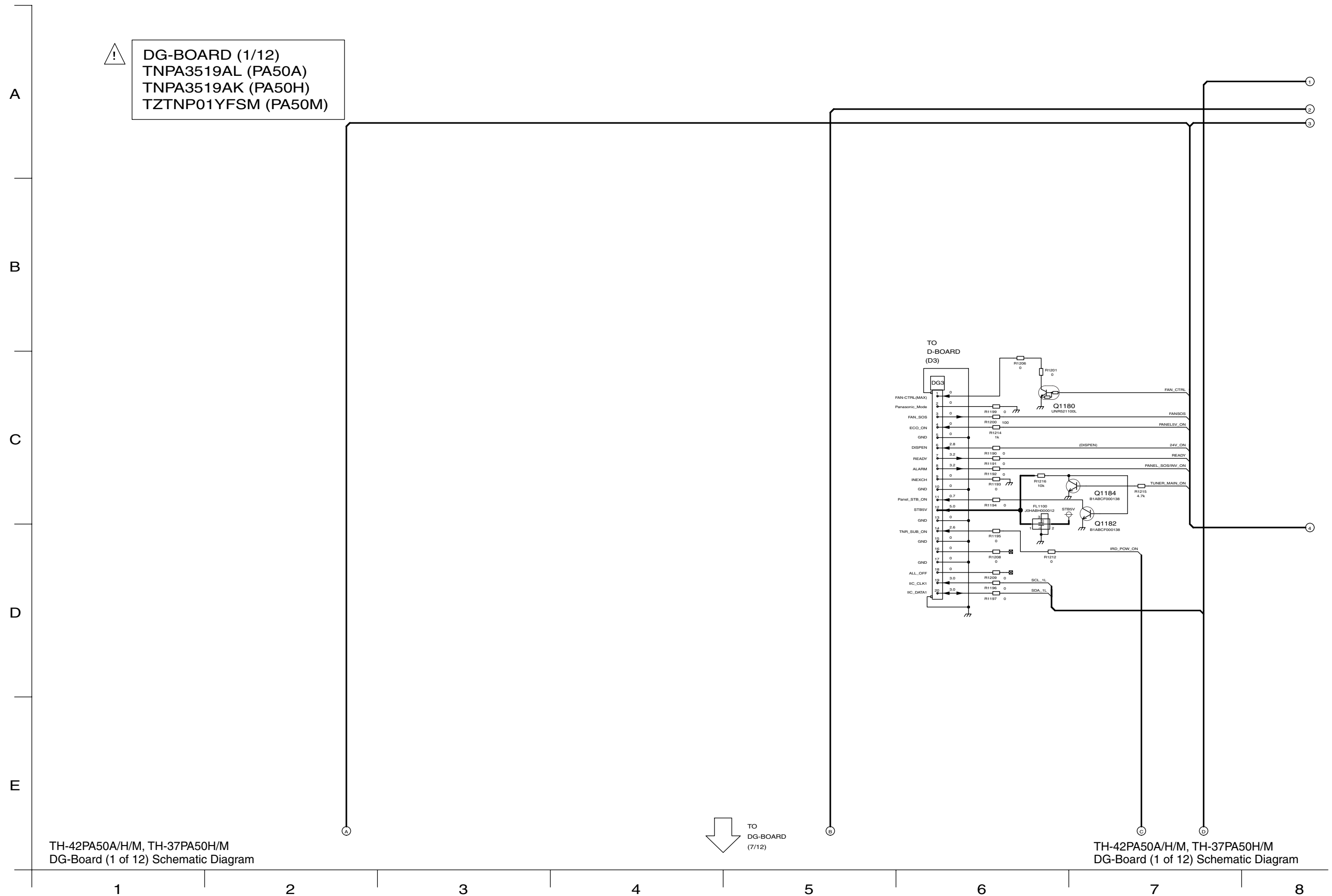
### 14.21. DG-Board (1 of 2) Block Diagram



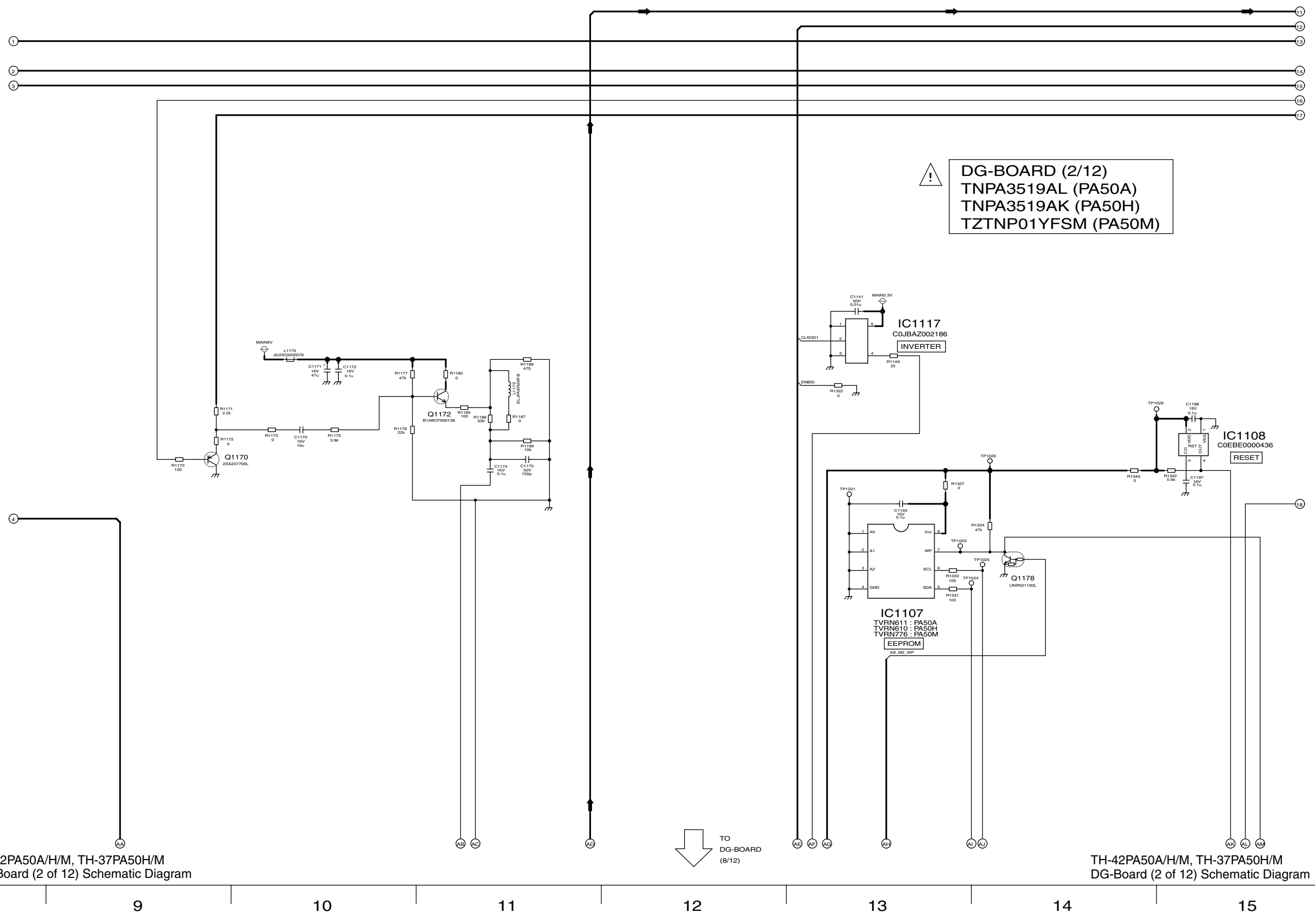
### 14.22. DG-Board (2 of 2) Block Diagram



### 14.23. DG-Board (1 of 12) Schematic Diagram



### 14.24. DG-Board (2 of 12) Schematic Diagram

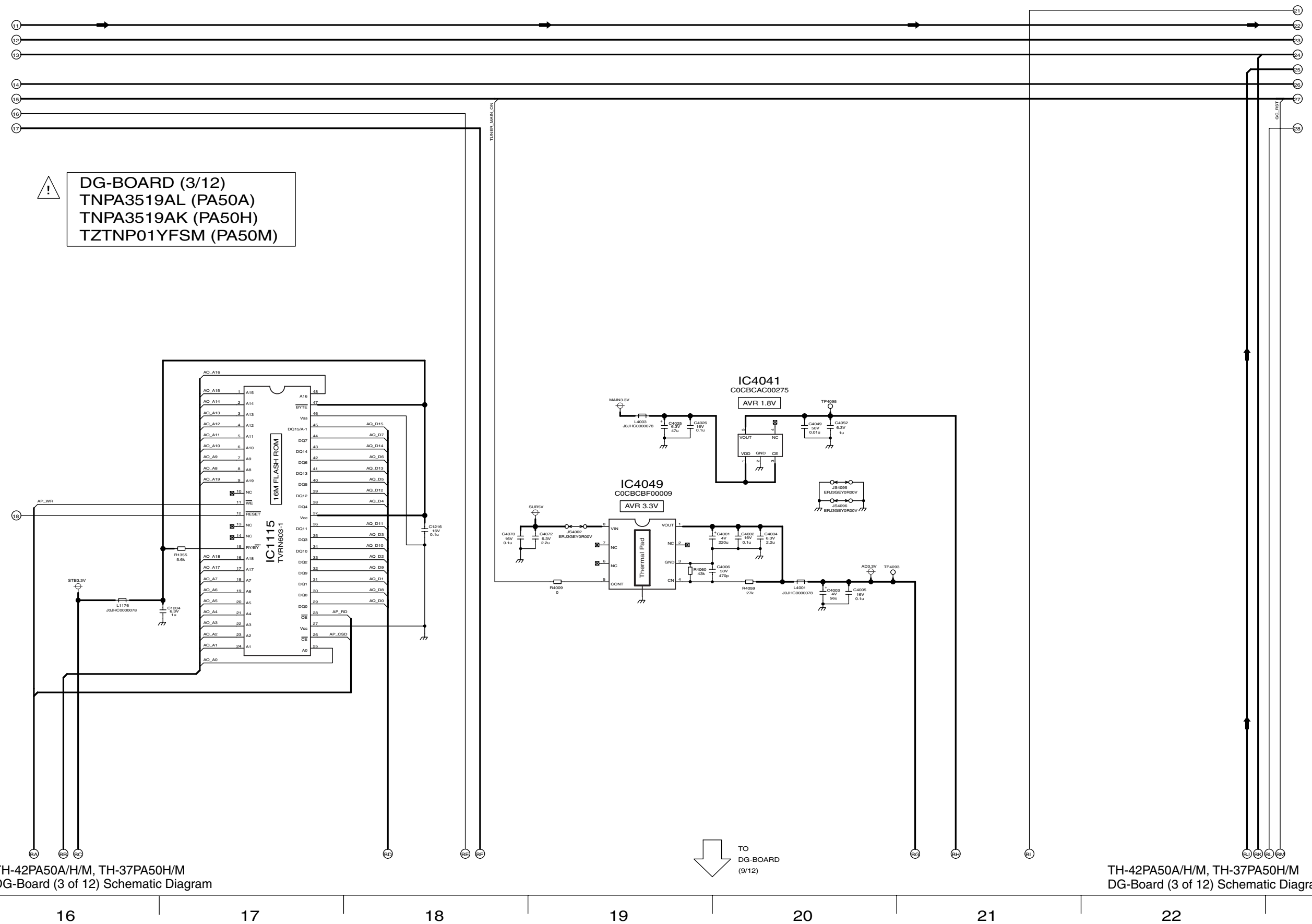


TH-42PA50A/H/M, TH-37PA50H/M  
 DG-Board (2 of 12) Schematic Diagram

TH-42PA50A/H/M, TH-37PA50H/M  
 DG-Board (2 of 12) Schematic Diagram



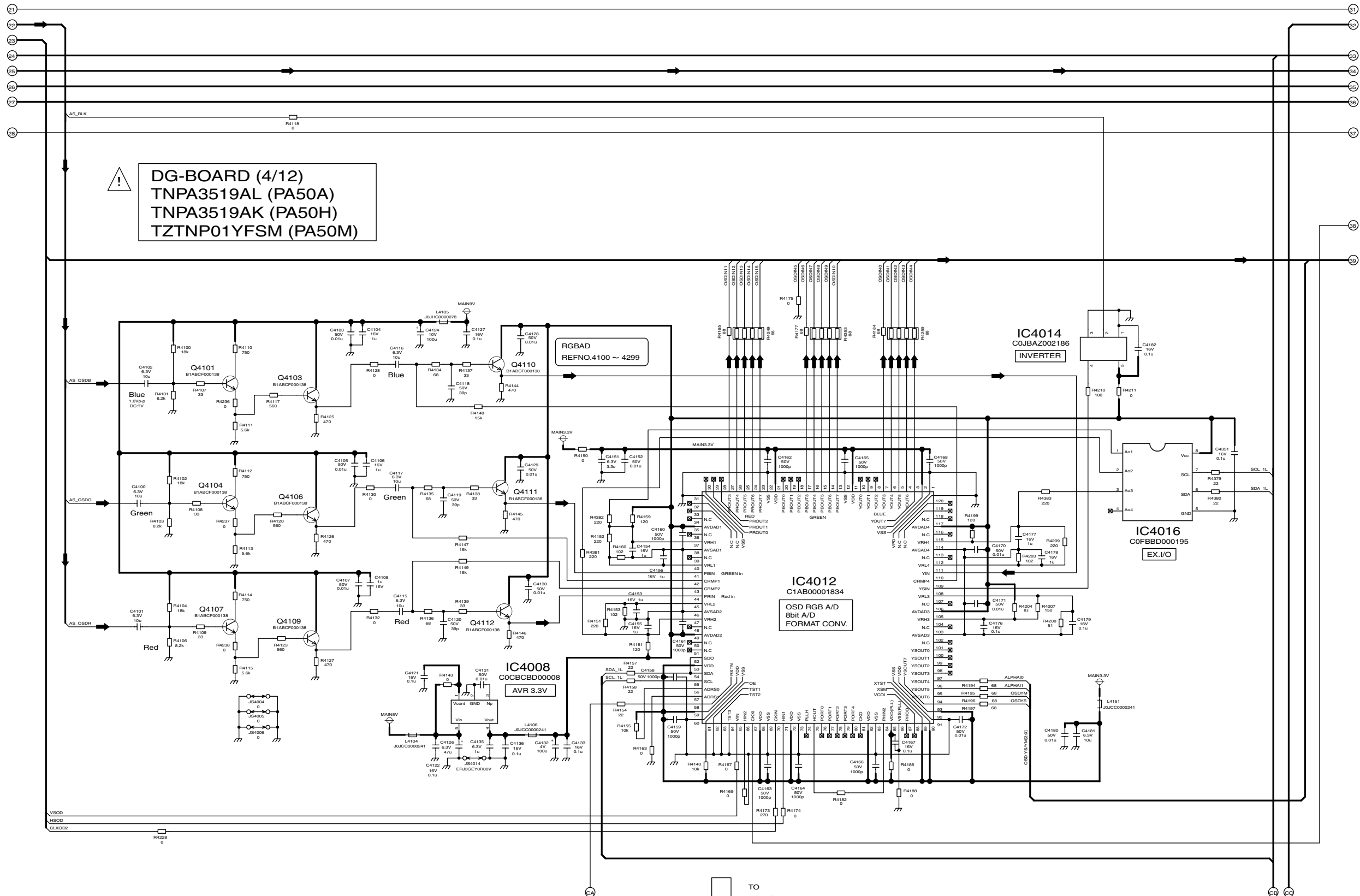
### 14.25. DG-Board (3 of 12) Schematic Diagram



TH-42PA50A/H/M, TH-37PA50H/M  
 DG-Board (3 of 12) Schematic Diagram

TH-42PA50A/H/M, TH-37PA50H/M  
 DG-Board (3 of 12) Schematic Diagram

# 14.26. DG-Board (4 of 12) Schematic Diagram

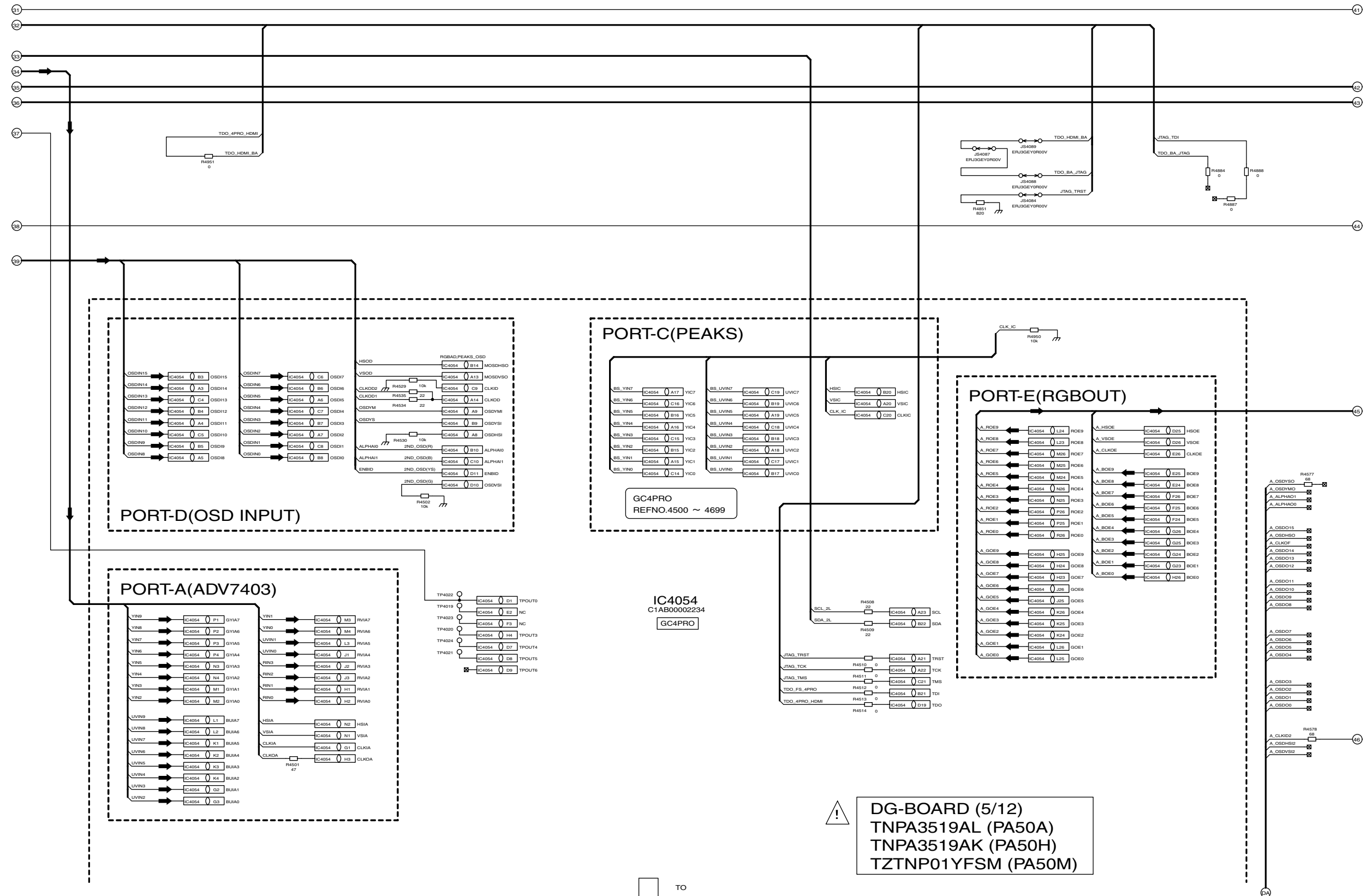


TH-42PA50A/H/M, TH-37PA50H/M  
DG-Board (4 of 12) Schematic Diagram

TH-42PA50A/H/M, TH-37PA50H/M  
DG-Board (4 of 12) Schematic Diagram

TO DG-BOARD (10/12)

### 14.27. DG-Board (5 of 12) Schematic Diagram



TH-42PA50A/H/M, TH-37PA50H/M  
DG-Board (5 of 12) Schematic Diagram

TH-42PA50A/H/M, TH-37PA50H/M  
DG-Board (5 of 12) Schematic Diagram

31

32

33

34

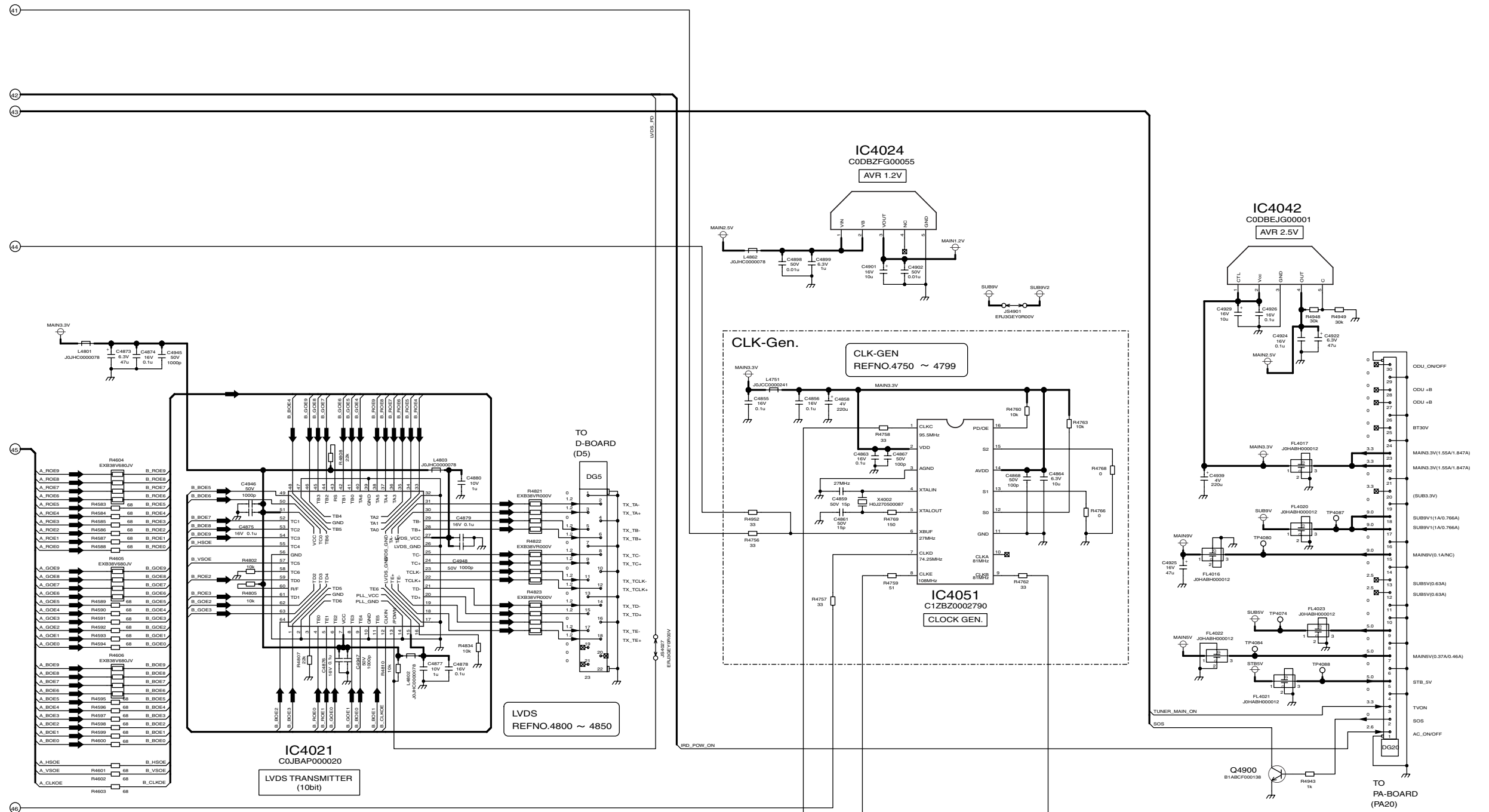
35

36

37

38

### 14.28. DG-Board (6 of 12) Schematic Diagram

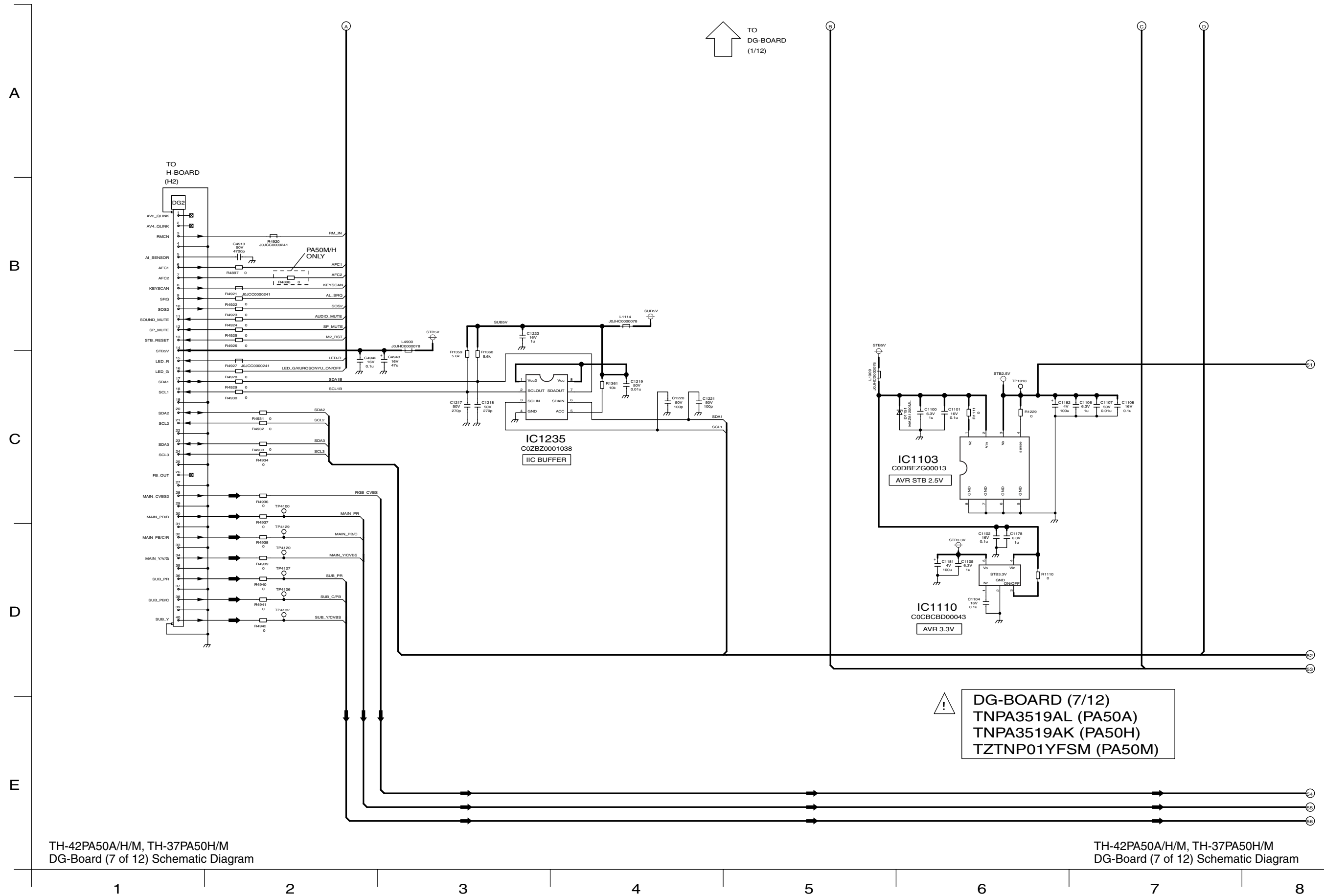


! DG-BOARD (6/12)  
 TNPA3519AL (PA50A)  
 TNPA3519AK (PA50H)  
 TZTNP01YFSM (PA50M)

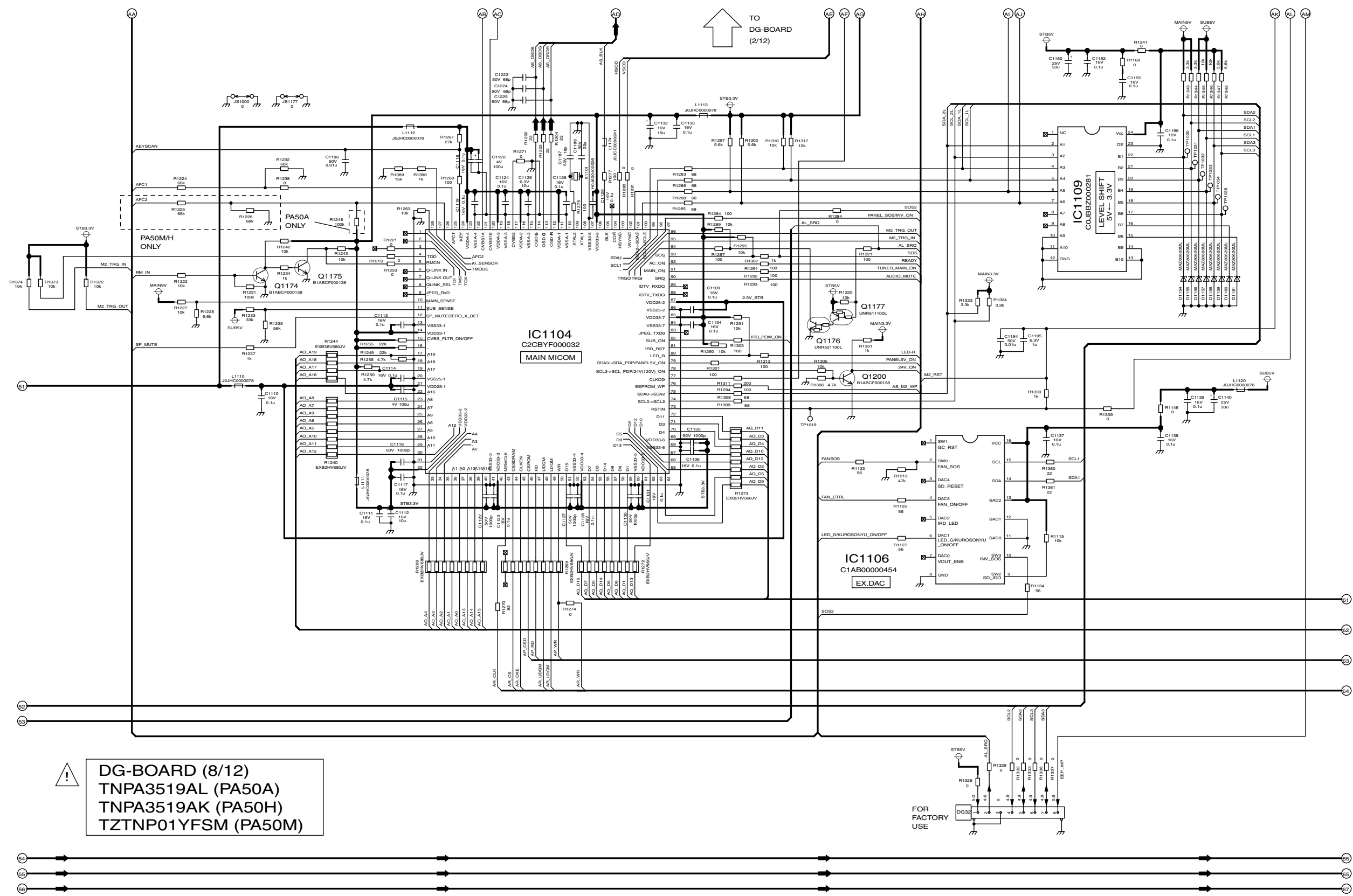
TH-42PA50A/H/M, TH-37PA50H/M  
DG-Board (6 of 12) Schematic Diagram

TH-42PA50A/H/M, TH-37PA50H/M  
DG-Board (6 of 12) Schematic Diagram

### 14.29. DG-Board (7 of 12) Schematic Diagram



### 14.30. DG-Board (8 of 12) Schematic Diagram



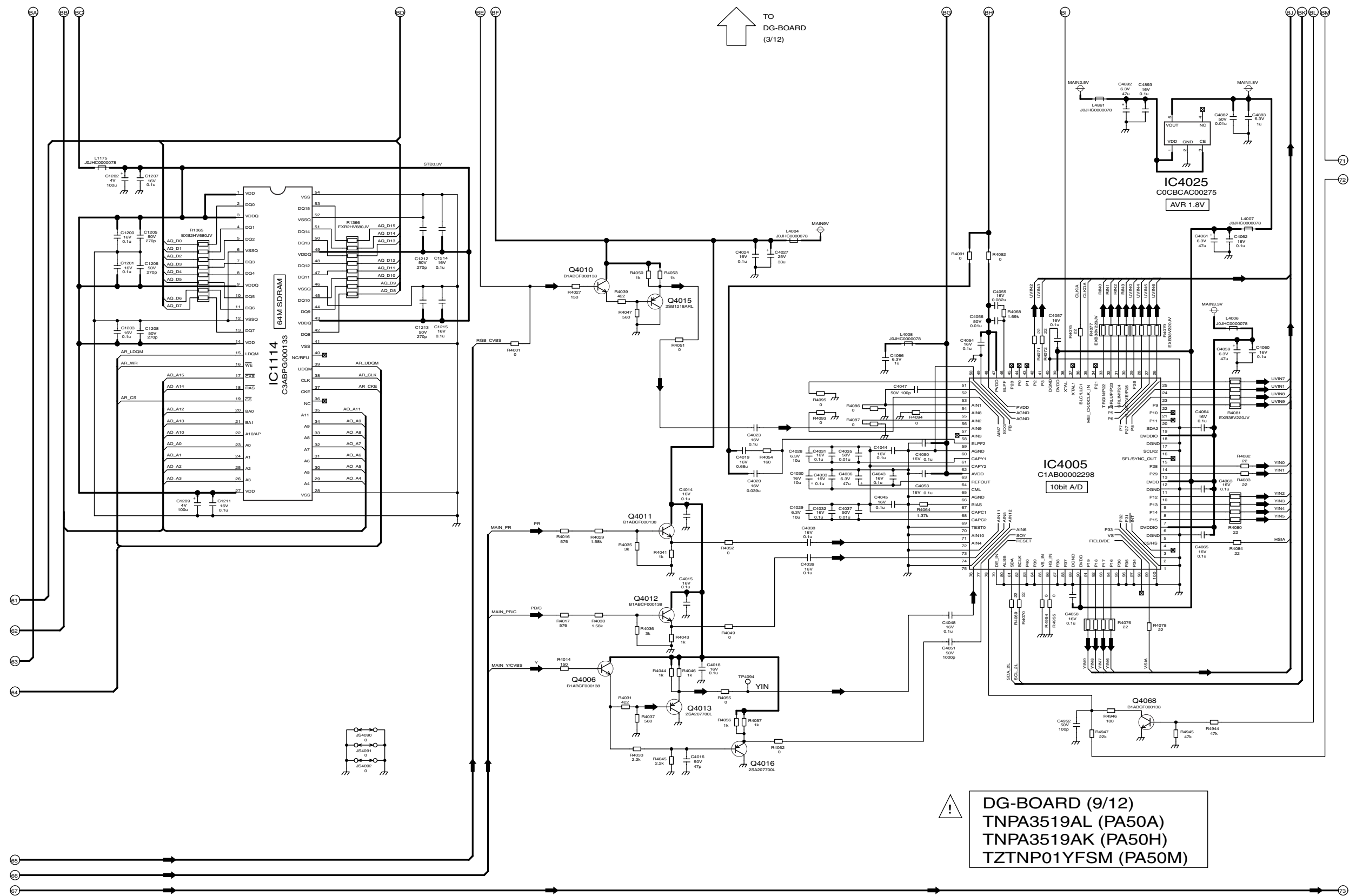
⚠ **DG-BOARD (8/12)**  
 TNPA3519AL (PA50A)  
 TNPA3519AK (PA50H)  
 TZTNP01YFSM (PA50M)

FOR FACTORY USE

TH-42PA50A/H/M, TH-37PA50H/M DG-Board (8 of 12) Schematic Diagram

TH-42PA50A/H/M, TH-37PA50H/M DG-Board (8 of 12) Schematic Diagram

### 14.31. DG-Board (9 of 12) Schematic Diagram



TH-42PA50A/H/M, TH-37PA50H/M  
DG-Board (9 of 12) Schematic Diagram

TH-42PA50A/H/M, TH-37PA50H/M  
DG-Board (9 of 12) Schematic Diagram

16

17

18

19

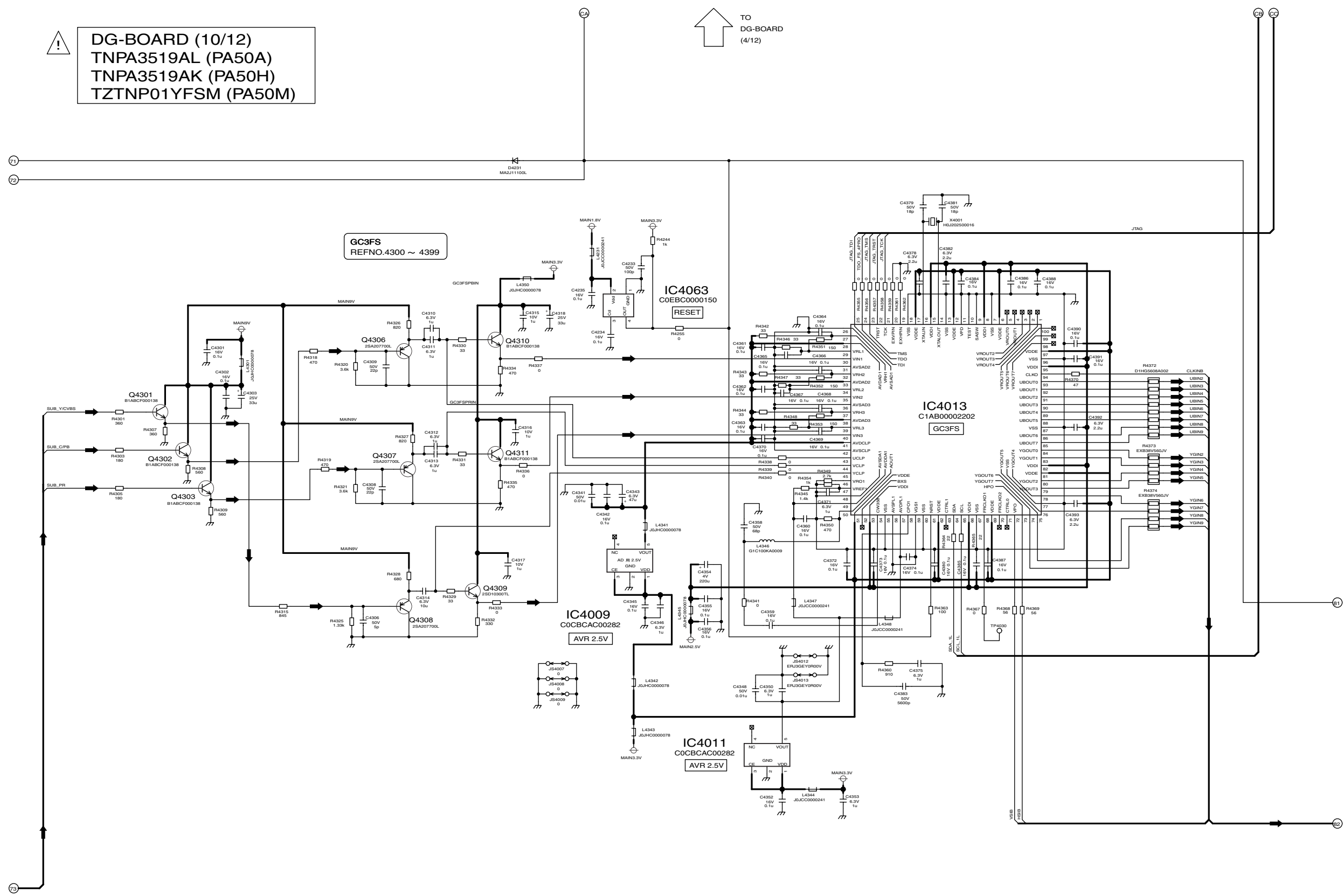
20

21

22

23

### 14.32. DG-Board (10 of 12) Schematic Diagram

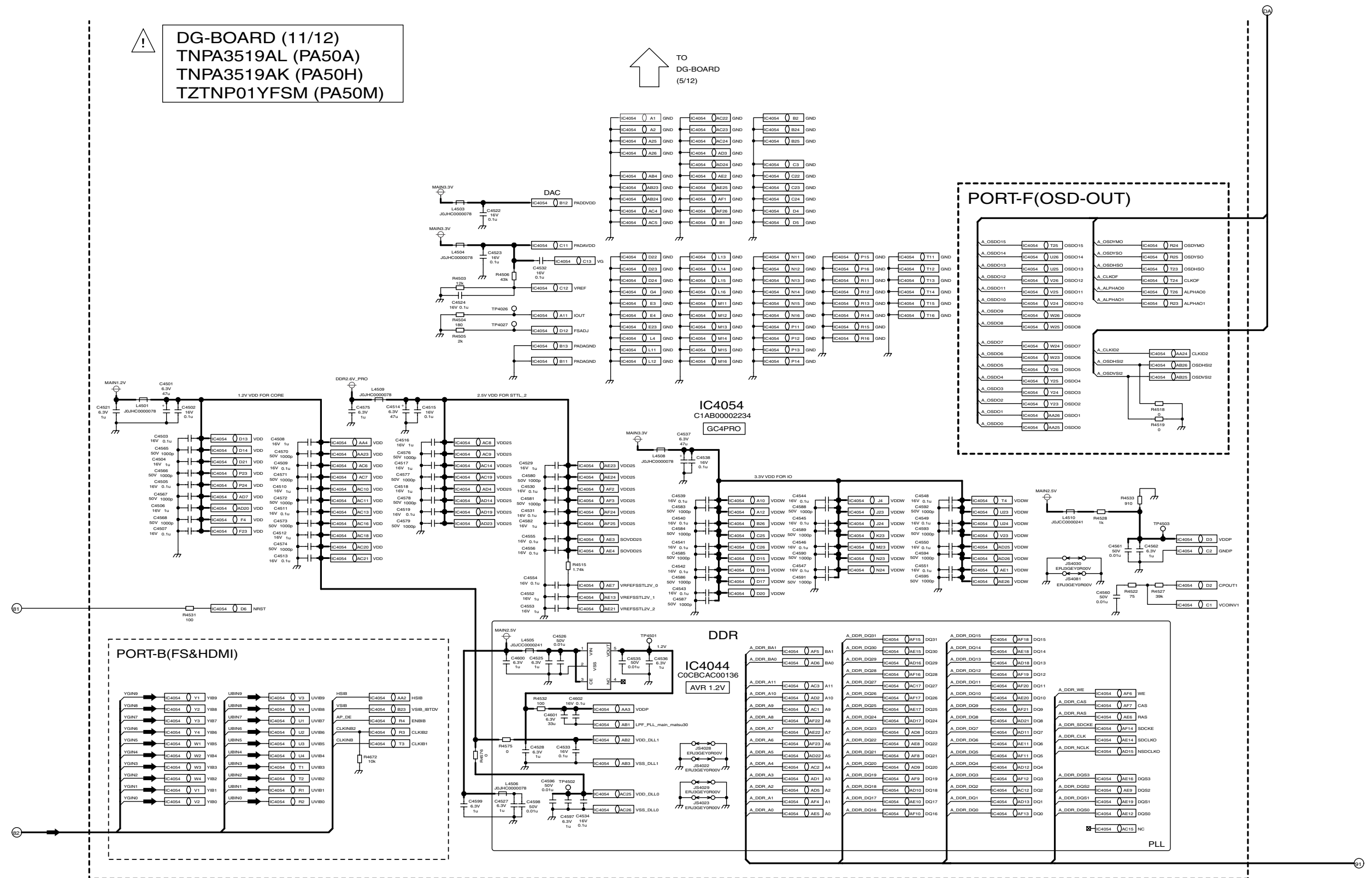


TH-42PA50A/H/M, TH-37PA50H/M  
DG-Board (10 of 12) Schematic Diagram

TH-42PA50A/H/M, TH-37PA50H/M  
DG-Board (10 of 12) Schematic Diagram



### 14.33. DG-Board (11 of 12) Schematic Diagram

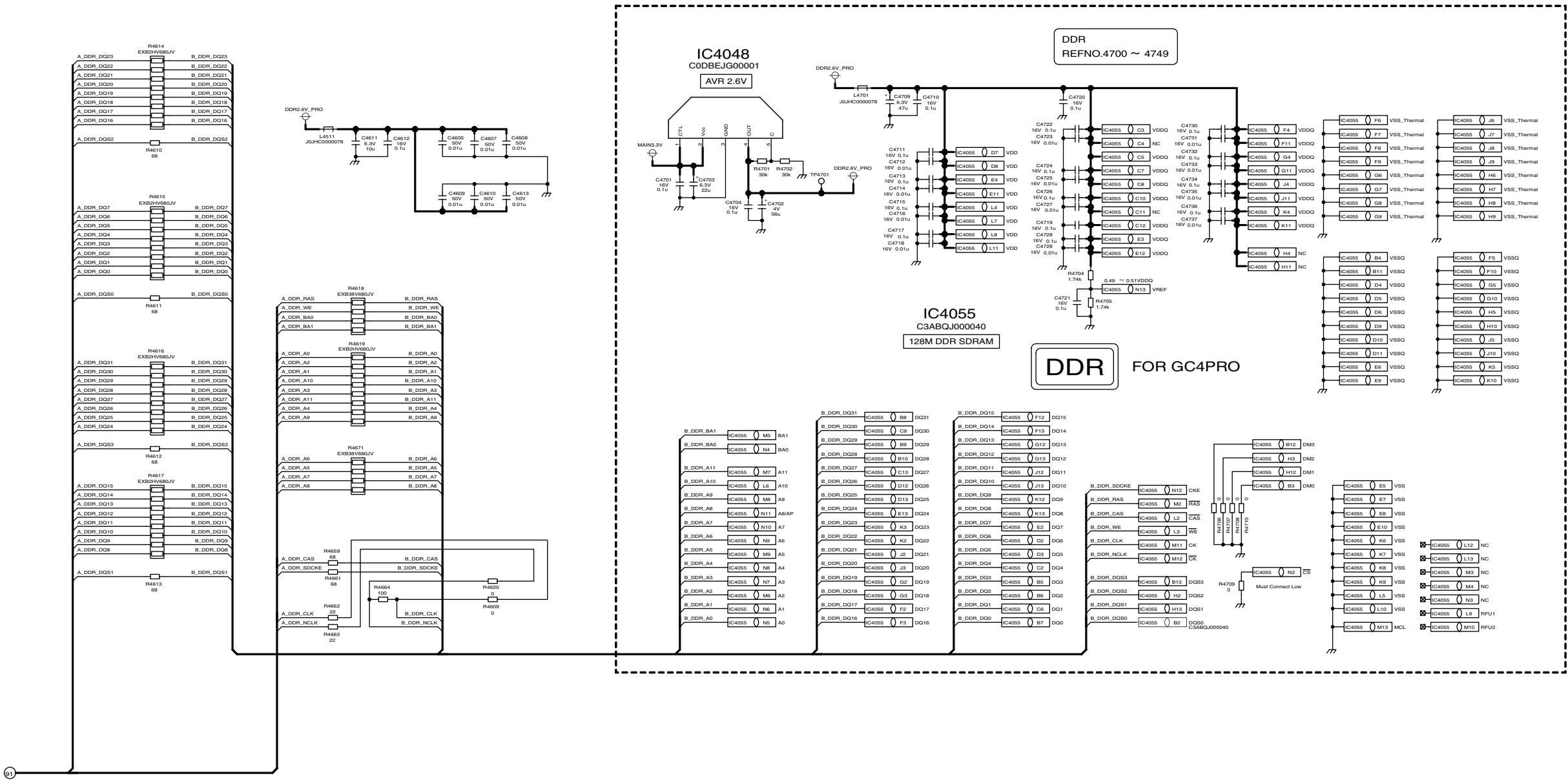
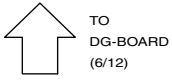


TH-42PA50A/H/M, TH-37PA50H/M  
 DG-Board (11 of 12) Schematic Diagram

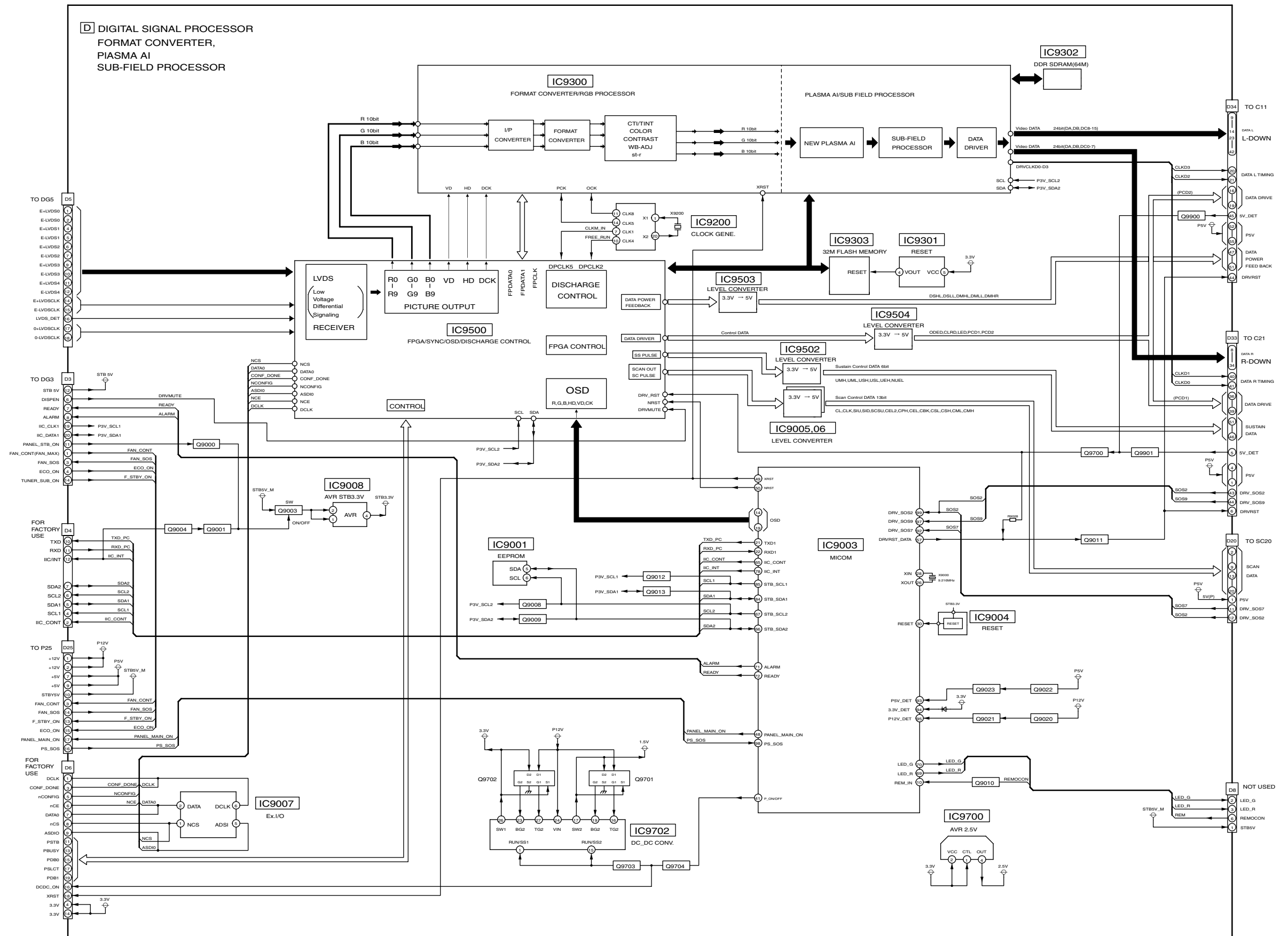
TH-42PA50A/H/M, TH-37PA50H/M  
 DG-Board (11 of 12) Schematic Diagram

14.34. DG-Board (12 of 12) Schematic Diagram

! DG-BOARD (12/12)  
 TNPA3519AL (PA50A)  
 TNPA3519AK (PA50H)  
 TZTNP01YFSM (PA50M)



### 14.35. D-Board Block Diagram



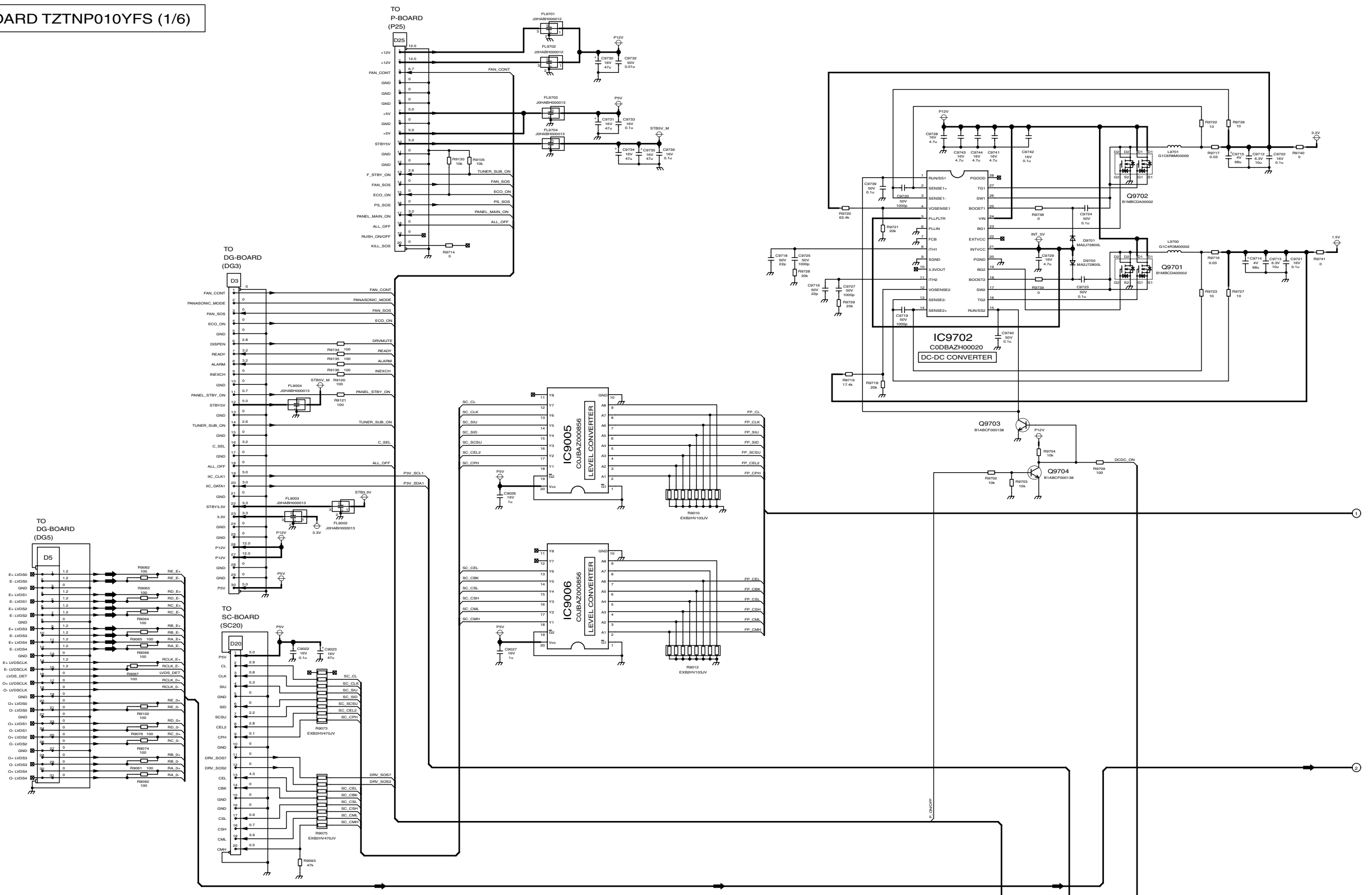
TH-42PA50A/H/M, TH-37PA50H/M  
D-Board Block Diagram

TH-42PA50A/H/M, TH-37PA50H/M  
D-Board Block Diagram

### 14.36. D-Board (1 of 6) Schematic Diagram

⚠ D-BOARD TZTNP010YFS (1/6)

A  
B  
C  
D  
E  
F



TO D-BOARD (4/6)

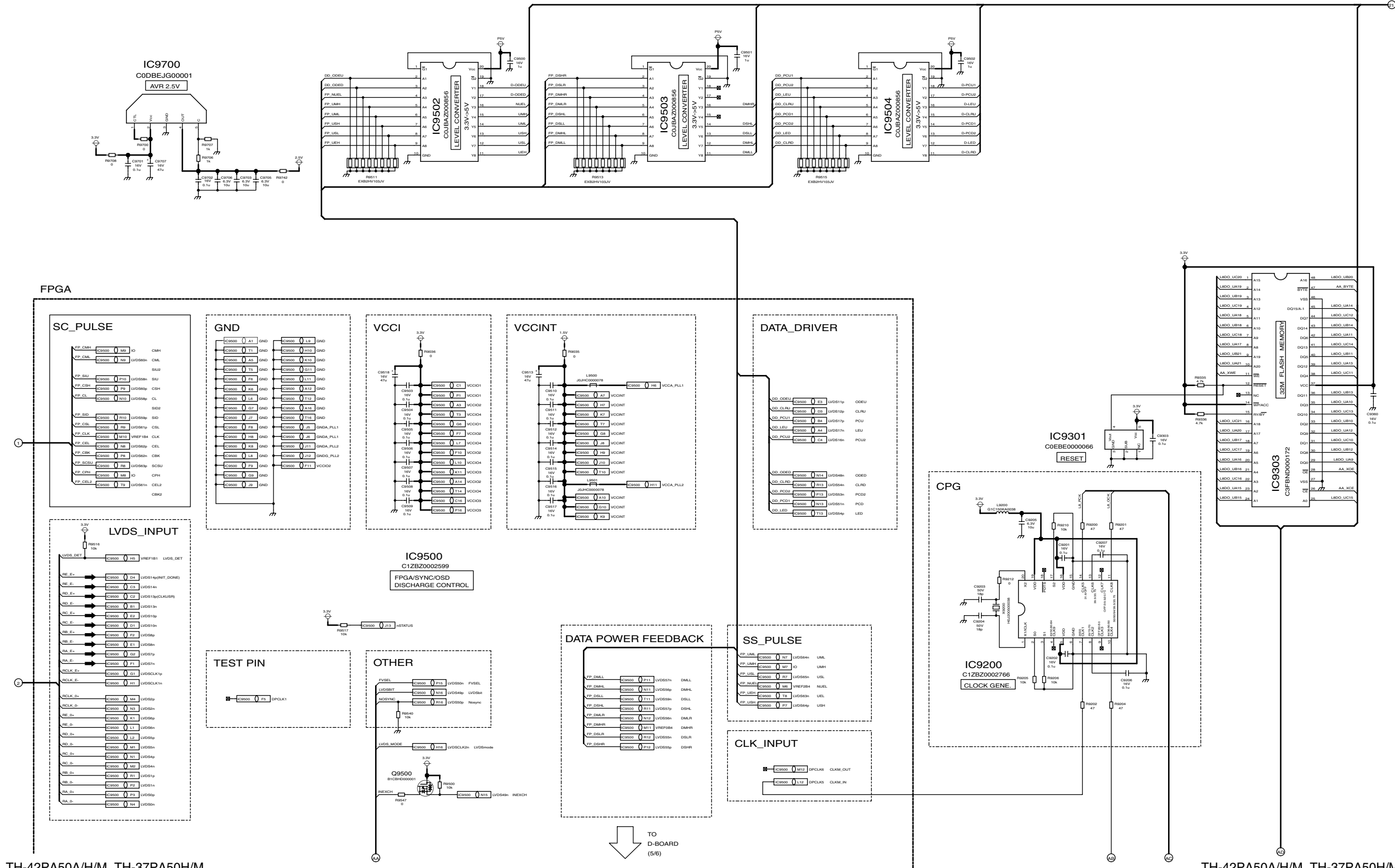
TH-42PA50A/H/M, TH-37PA50H/M  
D-Board (1 of 6) Schematic Diagram

TH-42PA50A/H/M, TH-37PA50H/M  
D-Board (1 of 6) Schematic Diagram

1 2 3 4 5 6 7 8 9

### 14.37. D-Board (2 of 6) Schematic Diagram

! D-BOARD TZTNP010YFS (2/6)



TH-42PA50A/H/M, TH-37PA50H/M  
D-Board (2 of 6) Schematic Diagram

TH-42PA50A/H/M, TH-37PA50H/M  
D-Board (2 of 6) Schematic Diagram

10

11

12

13

14

15

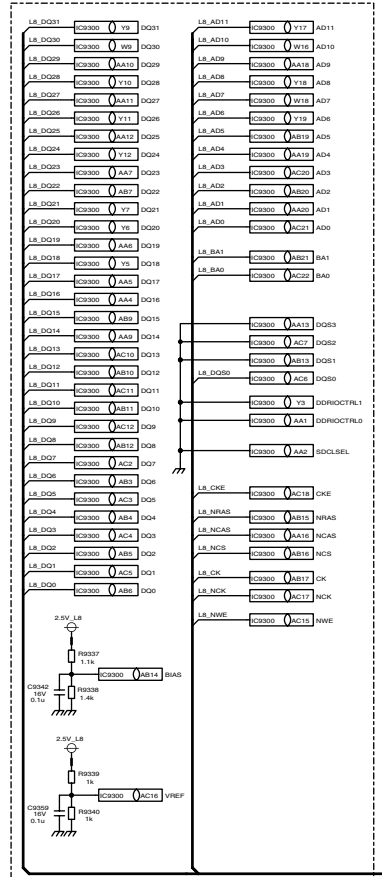
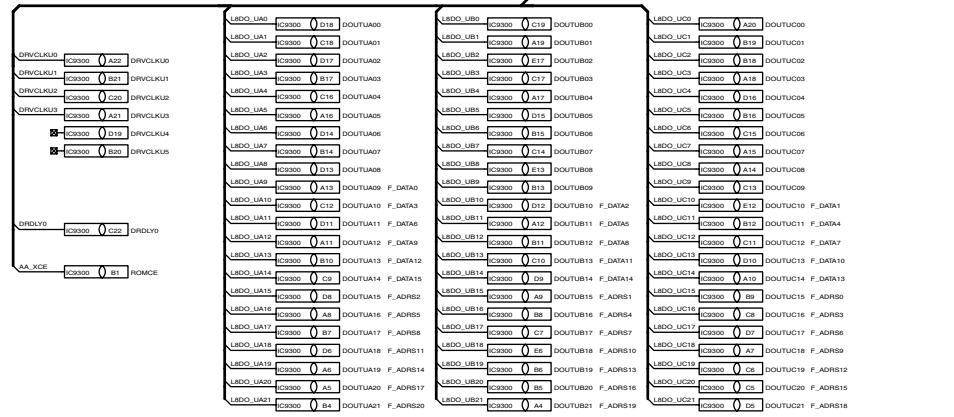
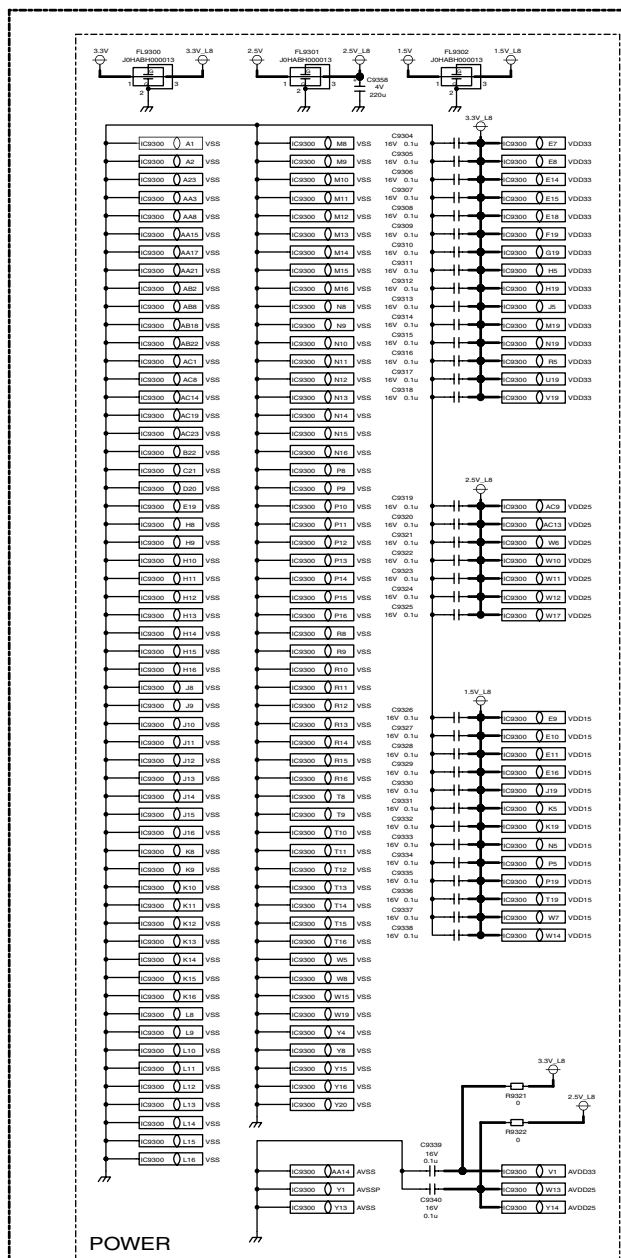
16

17

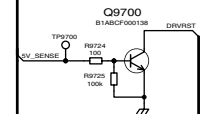
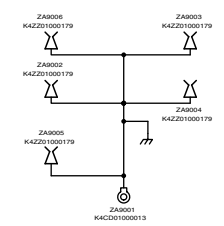
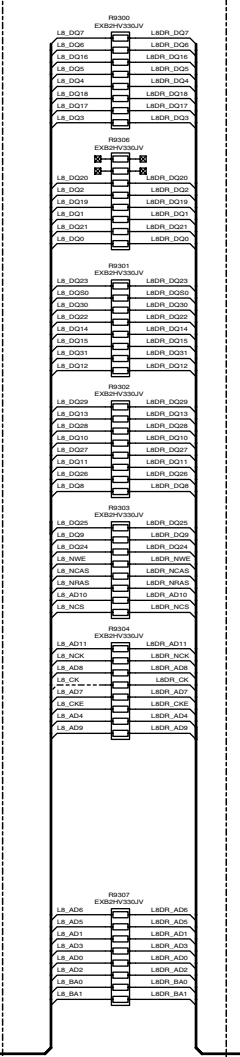
18

# 14.38. D-Board (3 of 6) Schematic Diagram

**D-BOARD TZTNP010YFS (3/6)**



**DDR-Terminate**

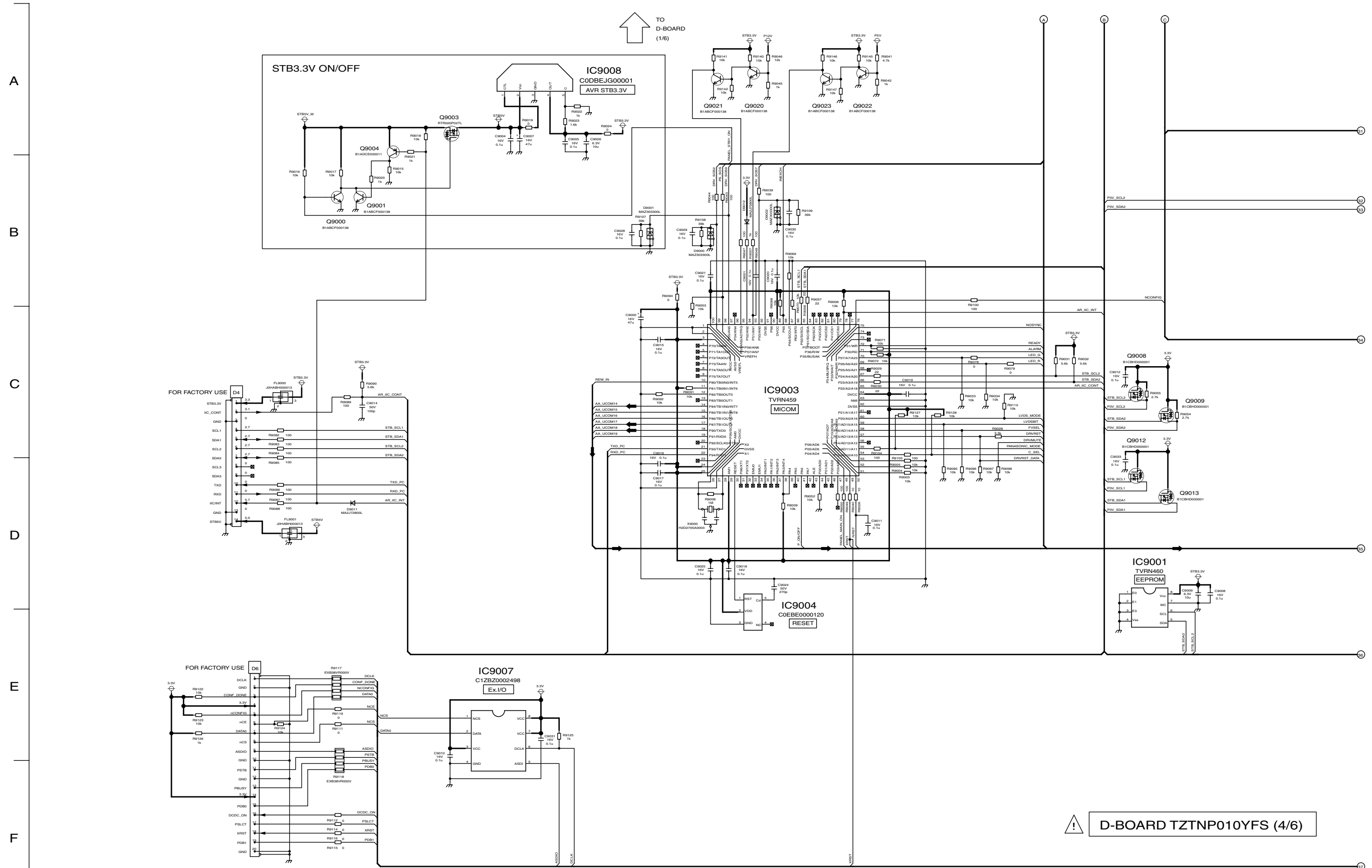


TO D-BOARD (6/6)

TH-42PA50A/H/M, TH-37PA50H/M  
D-Board (3 of 6) Schematic Diagram

TH-42PA50A/H/M, TH-37PA50H/M  
D-Board (3 of 6) Schematic Diagram

### 14.39. D-Board (4 of 6) Schematic Diagram



TH-42PA50A/H/M, TH-37PA50H/M  
D-Board (4 of 6) Schematic Diagram

TH-42PA50A/H/M, TH-37PA50H/M  
D-Board (4 of 6) Schematic Diagram

1

2

3

4

5

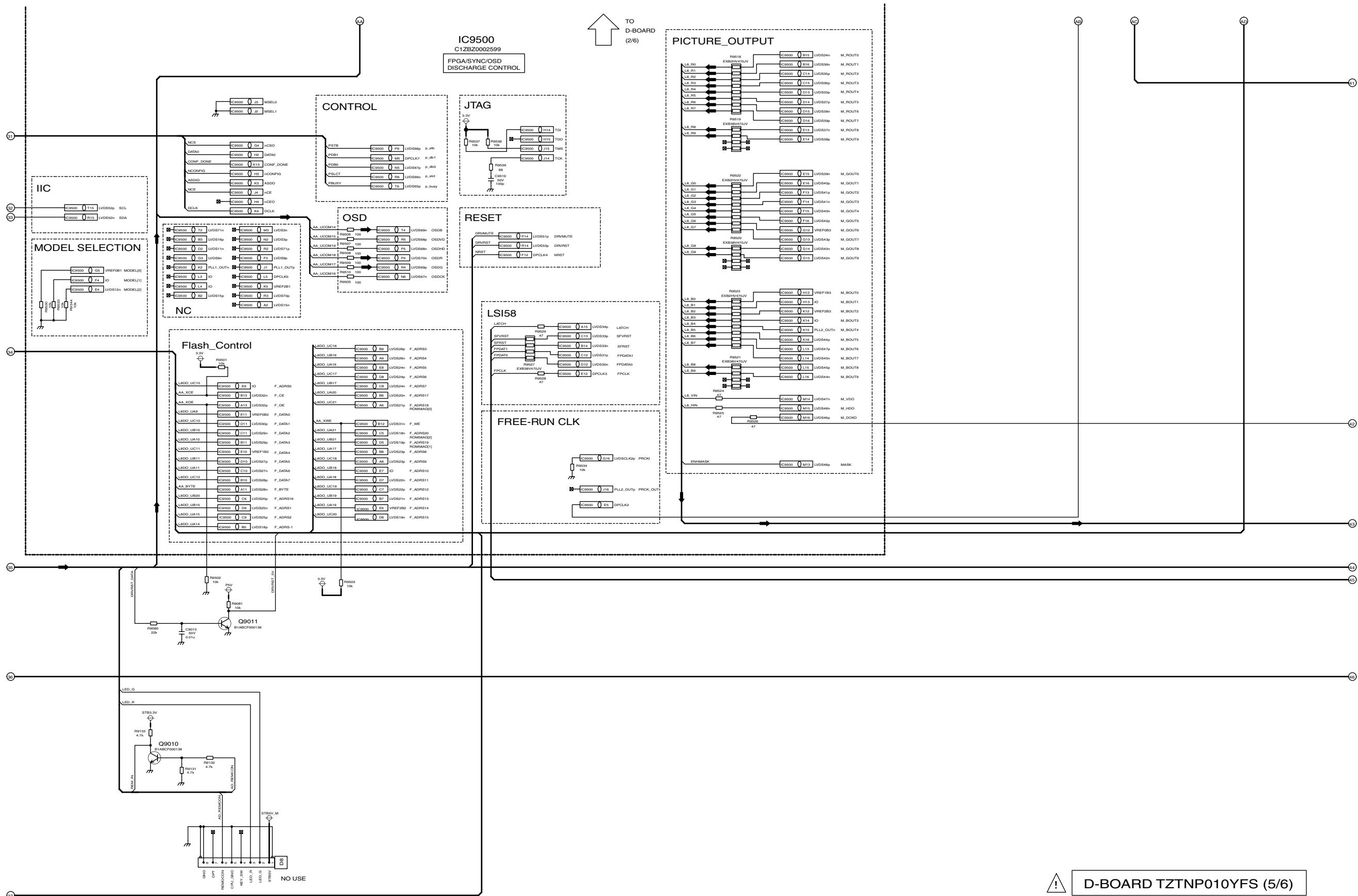
6

7

8

9

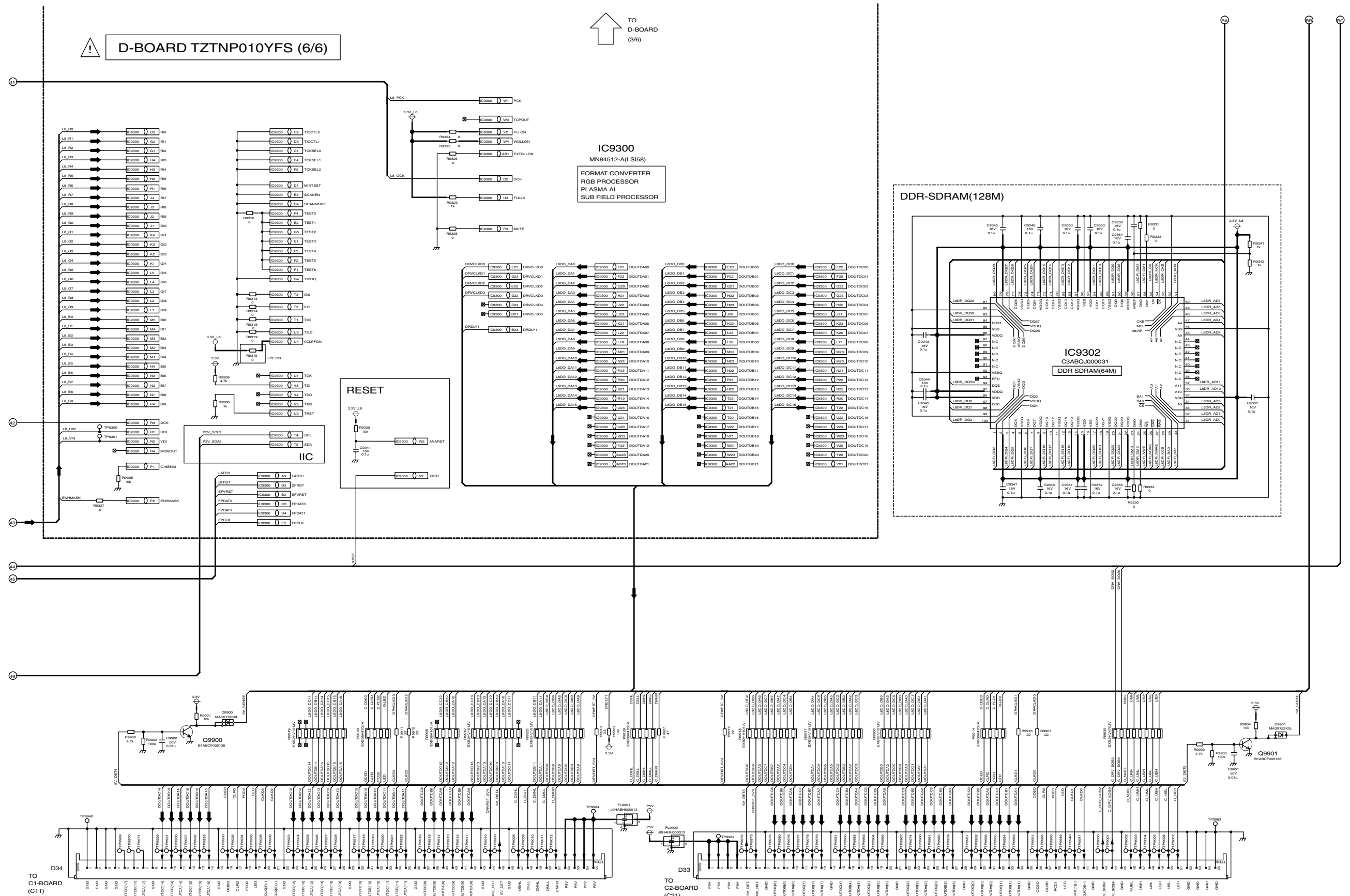
# 14.40. D-Board (5 of 6) Schematic Diagram



**D-BOARD TZTNP010YFS (5/6)**



### 14.41. D-Board (6 of 6) Schematic Diagram



TH-42PA50A/H/M, TH-37PA50H/M  
D-Board (6 of 6) Schematic Diagram

TH-42PA50A/H/M, TH-37PA50H/M  
D-Board (6 of 6) Schematic Diagram

19

20

21

22

23

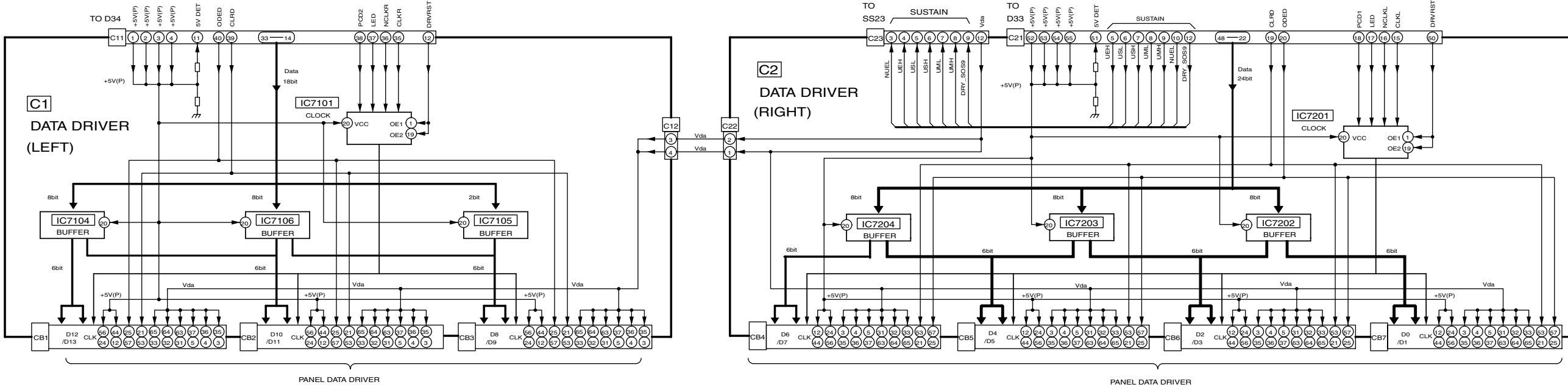
24

25

26

27

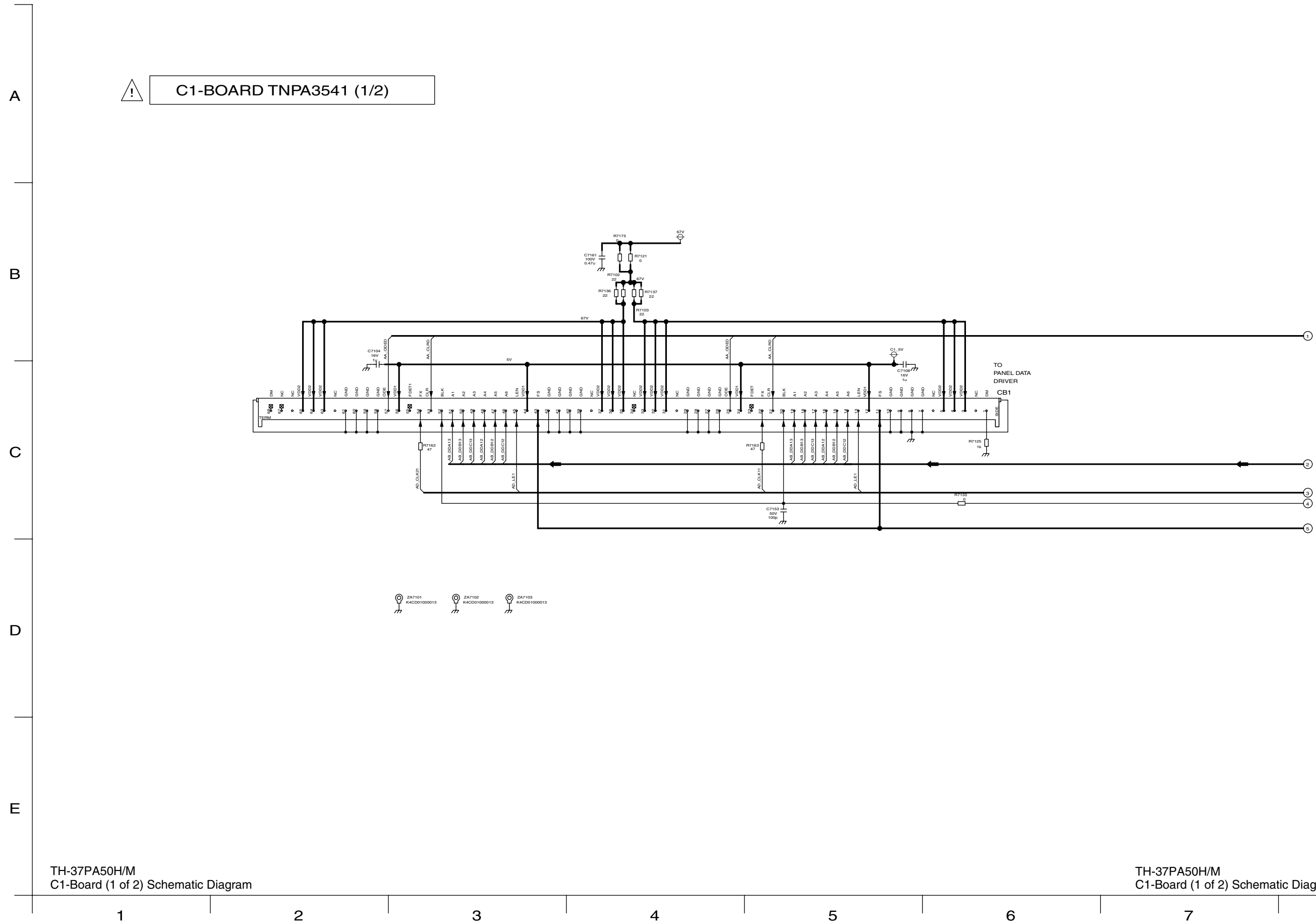
14.42. C1 and C2-Board Block Diagram



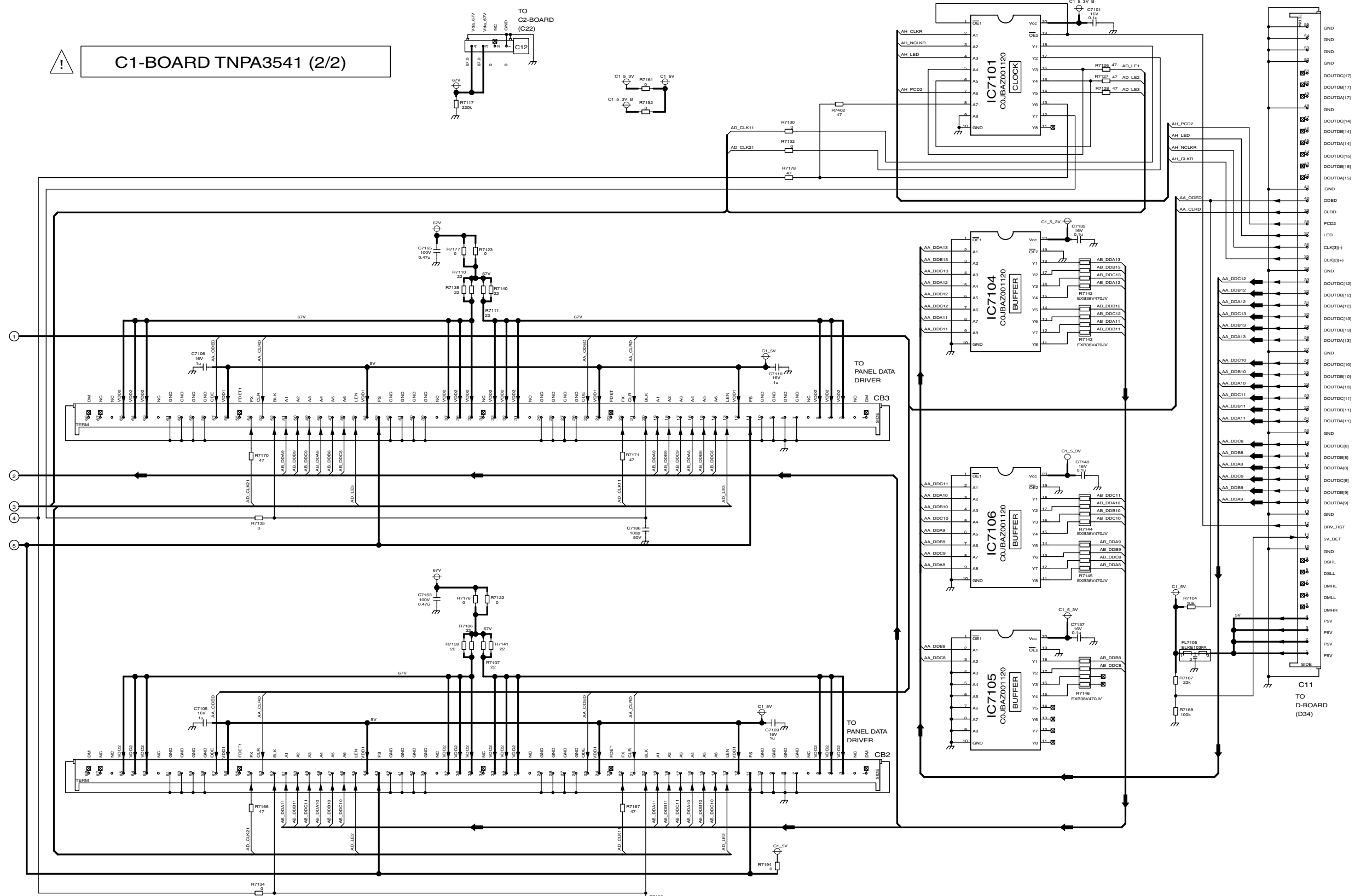
TH-42PA50A/H/M, TH-37PA50H/M  
C1 and C2-Board Block Diagram

TH-42PA50A/H/M, TH-37PA50H/M  
C1 and C2-Board Block Diagram

14.43. C1-Board (1 of 2) Schematic Diagram (37 inch)



14.44. C1-Board (2 of 2) Schematic Diagram (37 inch)

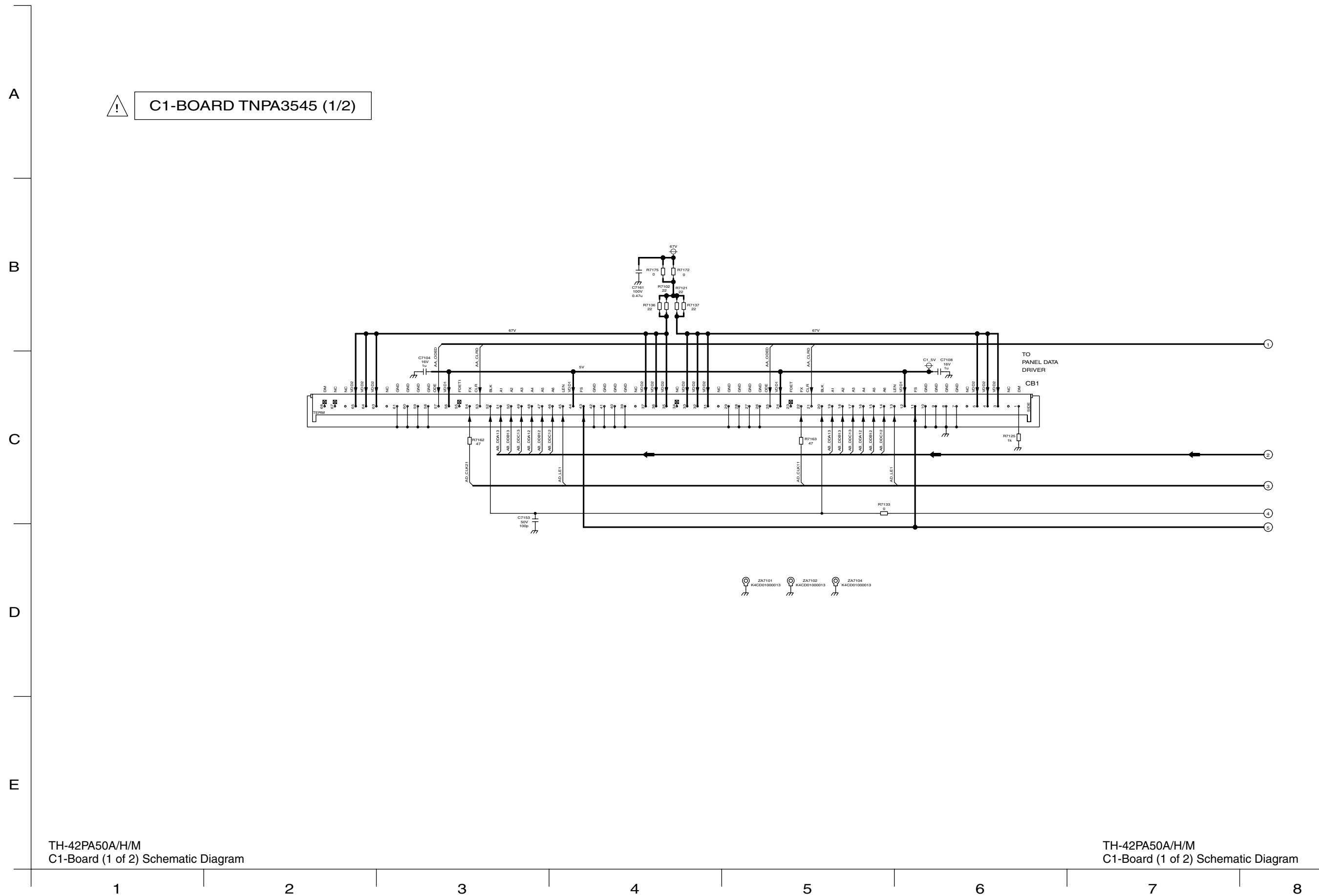


TH-37PA50H/M  
C1-Board (2 of 2) Schematic Diagram

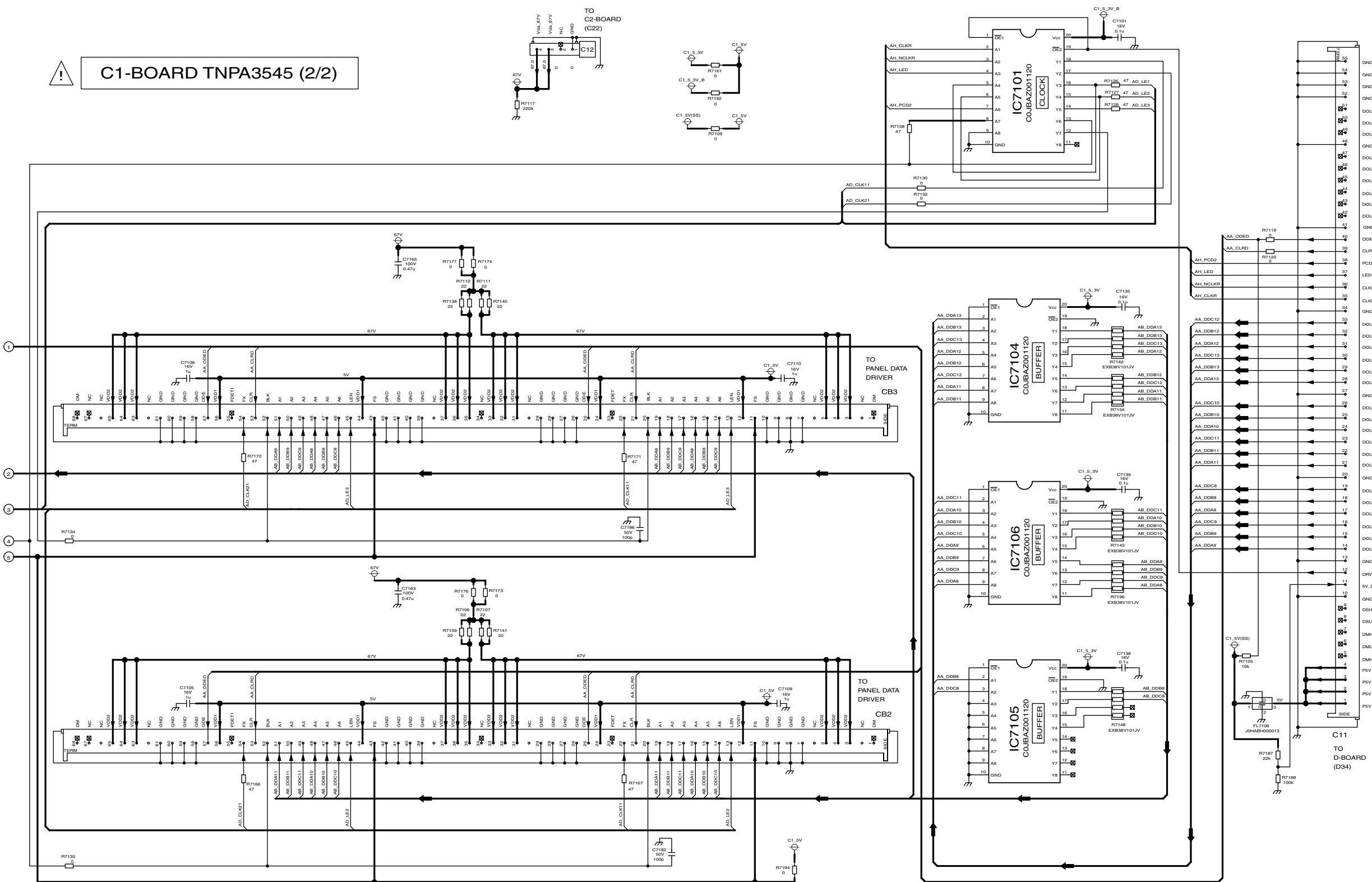
TH-37PA50H/M  
C1-Board (2 of 2) Schematic Diagram

8 9 10 11 12 13 14 15

14.45. C1-Board (1 of 2) Schematic Diagram (42 inch)



### 14.46. C1-Board (2 of 2) Schematic Diagram (42 inch)

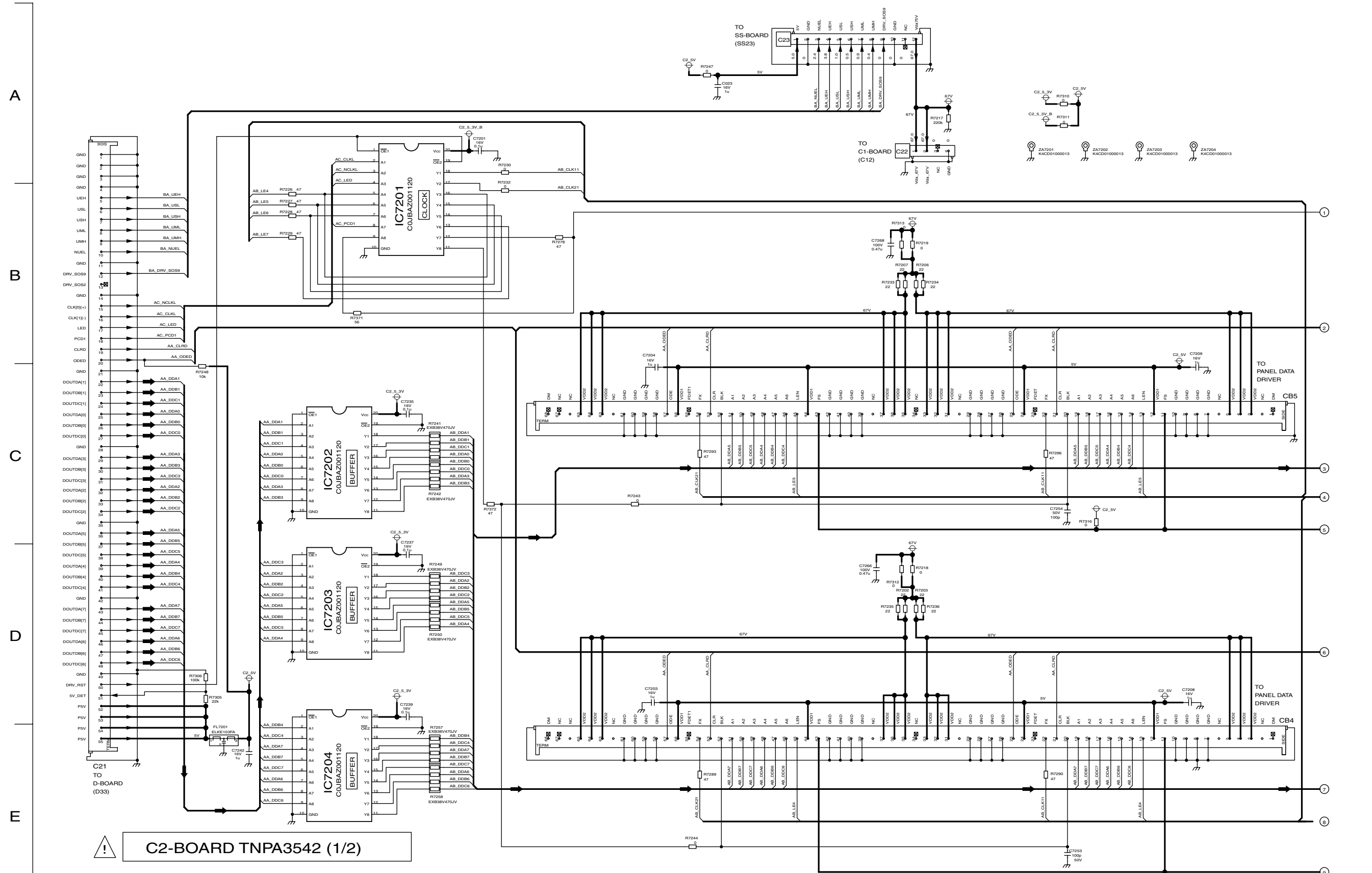


TH-42PA50A/H/M  
C1-Board (2 of 2) Schematic Diagram

TH-42PA50A/H/M  
C1-Board (2 of 2) Schematic Diagram

8 9 10 11 12 13 14 15

### 14.47. C2-Board (1 of 2) Schematic Diagram (37 inch)

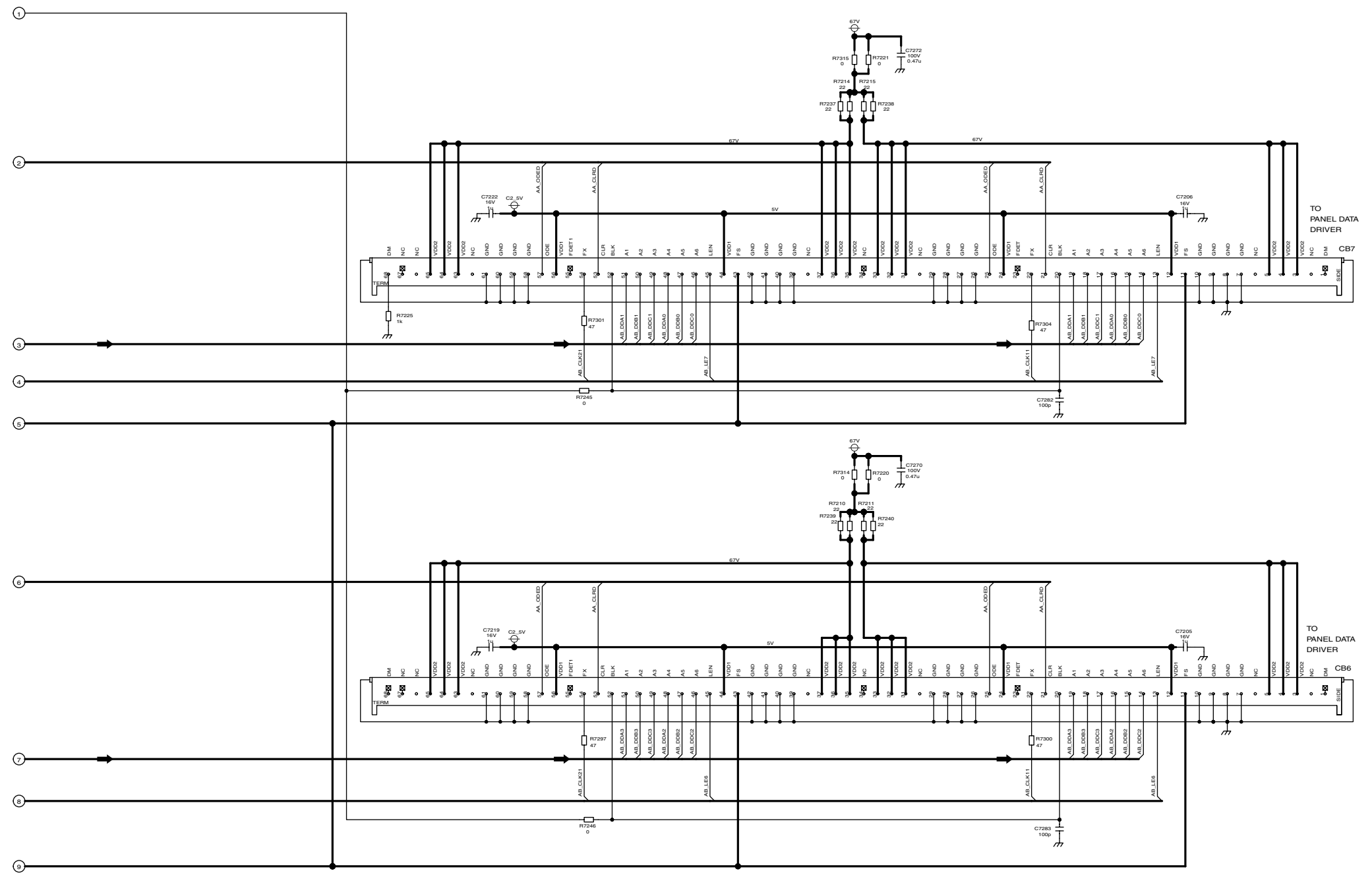


TH-37PA50H/M  
C2-Board (1 of 2) Schematic Diagram

TH-37PA50H/M  
C2-Board (1 of 2) Schematic Diagram

### 14.48. C2-Board (2 of 2) Schematic Diagram (37 inch)

⚠ C2-BOARD TNPA3542 (2/2)



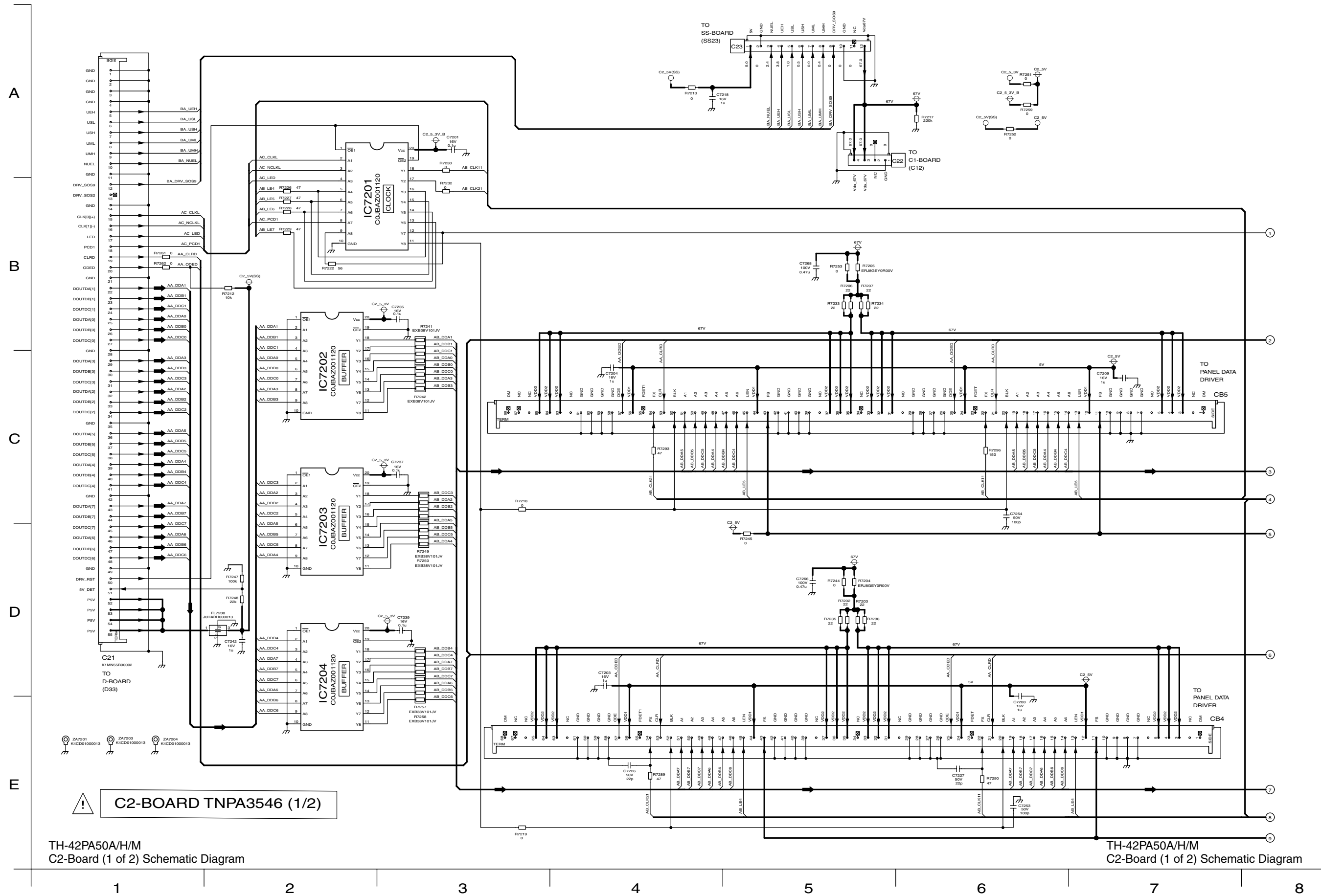
TH-37PA50H/M C2-Board (2 of 2) Schematic Diagram

TH-37PA50H/M C2-Board (2 of 2) Schematic Diagram

8 9 10 11 12 13 14 15



14.49. C2-Board (1 of 2) Schematic Diagram (42 inch)

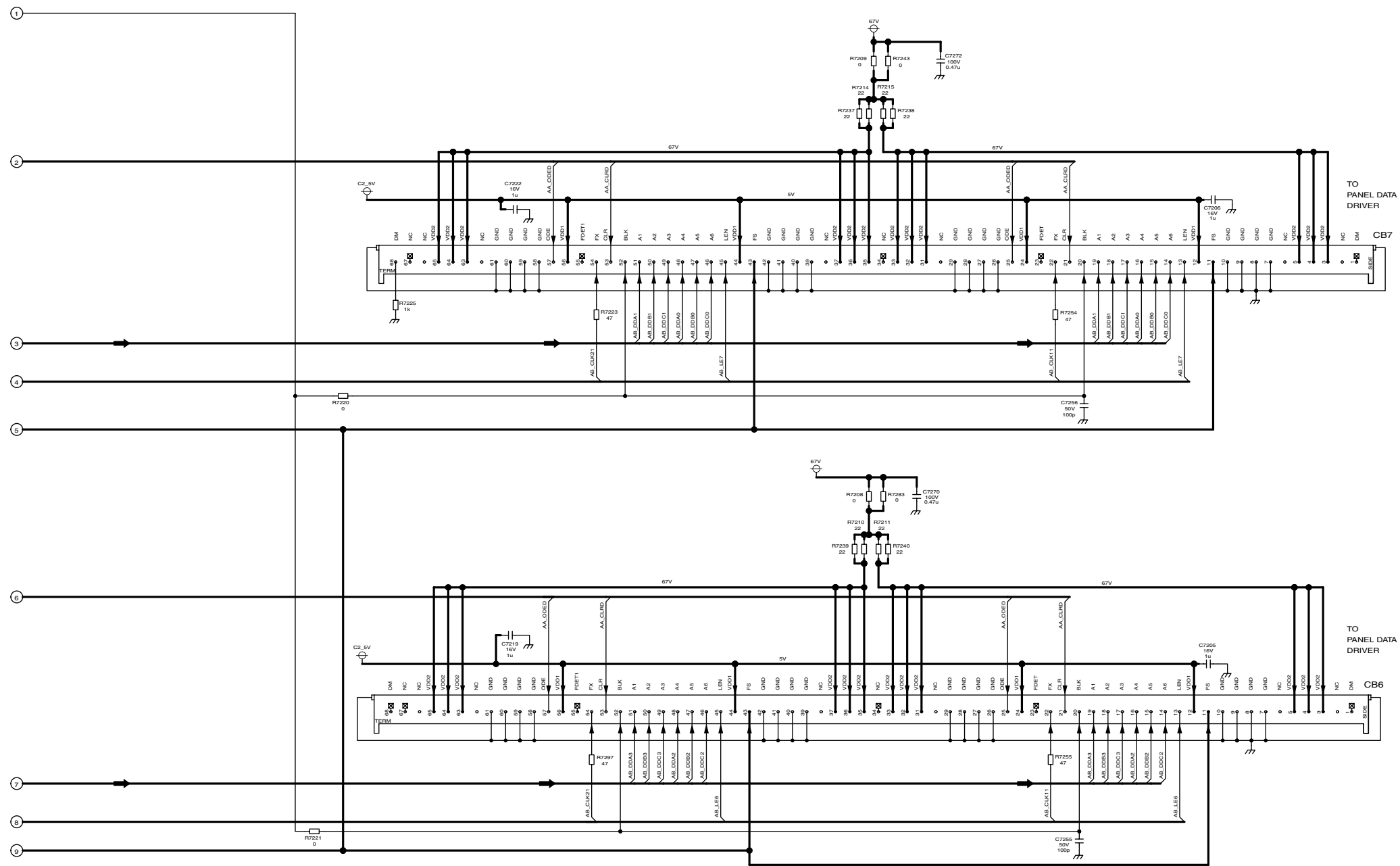


TH-42PA50A/H/M  
C2-Board (1 of 2) Schematic Diagram

TH-42PA50A/H/M  
C2-Board (1 of 2) Schematic Diagram

### 14.50. C2-Board (2 of 2) Schematic Diagram (42 inch)

! C2-BOARD TNPA3546 (2/2)

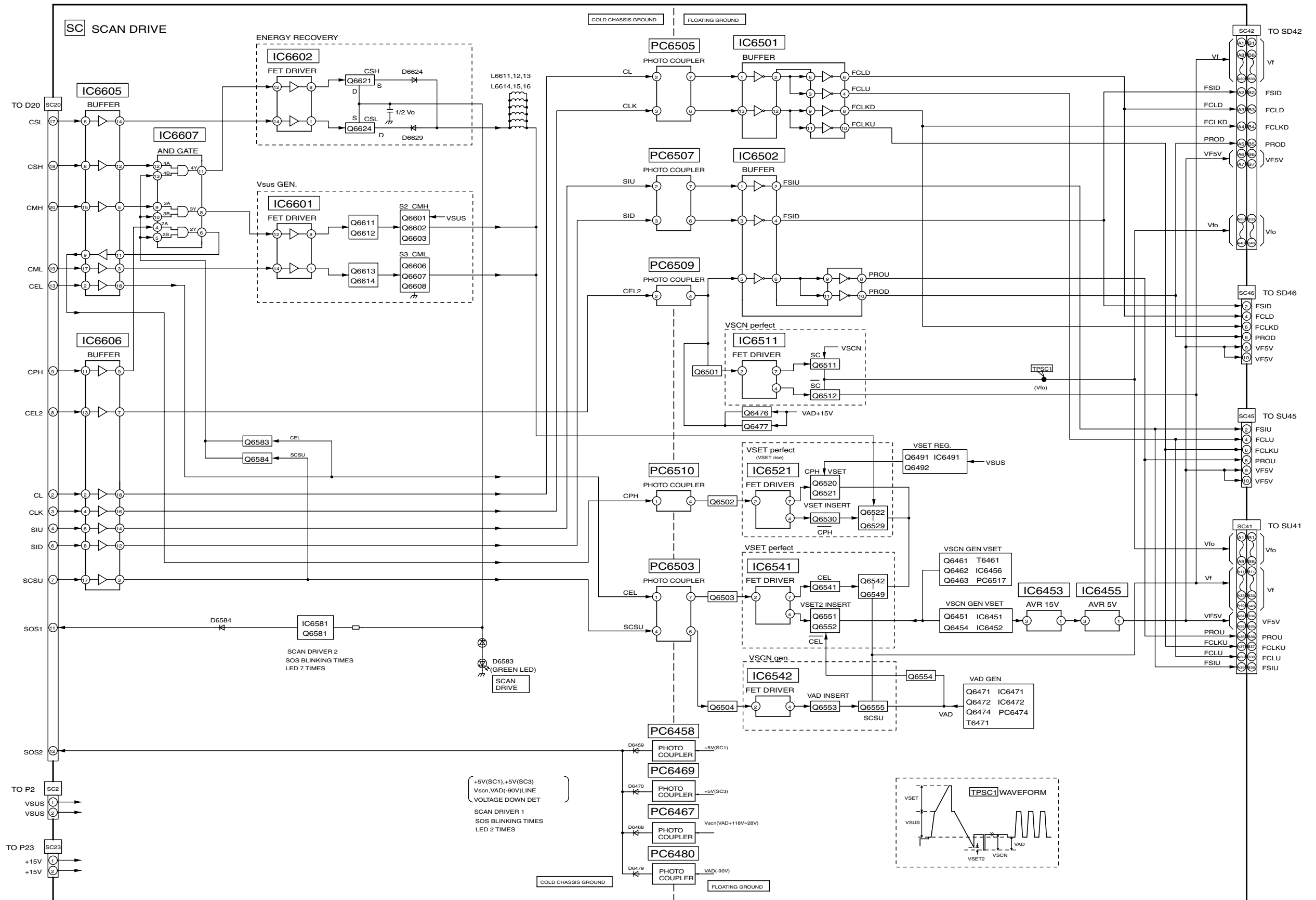


TH-42PA50A/H/M C2-Board (2 of 2) Schematic Diagram

TH-42PA50A/H/M C2-Board (2 of 2) Schematic Diagram

8 9 10 11 12 13 14 15

### 14.51. SC-Board Block Diagram



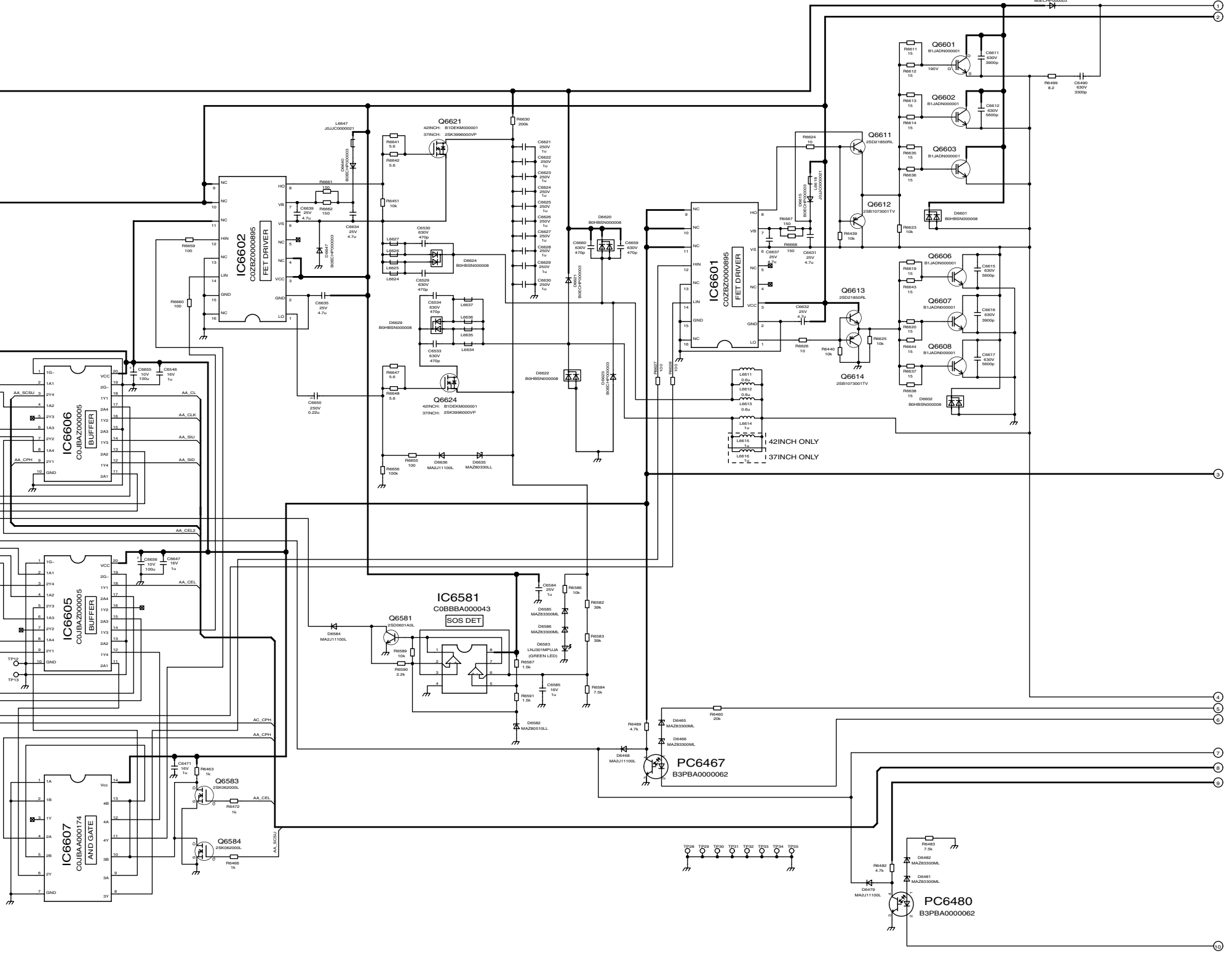
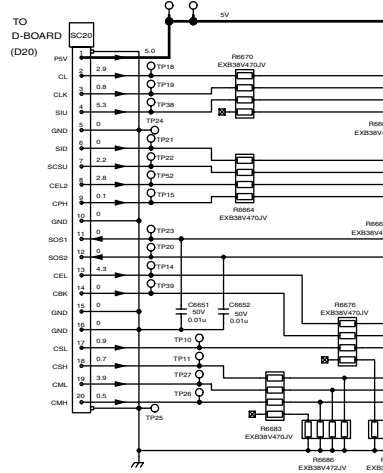
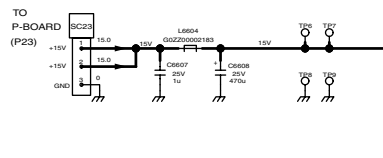
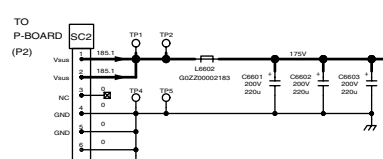
TH-42PA50A/H/M, TH-37PA50H/M  
SC-Board Block Diagram

TH-42PA50A/H/M, TH-37PA50H/M  
SC-Board Block Diagram

# 14.52. SC-Board (1 of 2) Schematic Diagram

A  
B  
C  
D  
E  
F

SC-BOARD (1/2)  
TNPA3543AB (37inch)  
TNPA3543 (42inch)

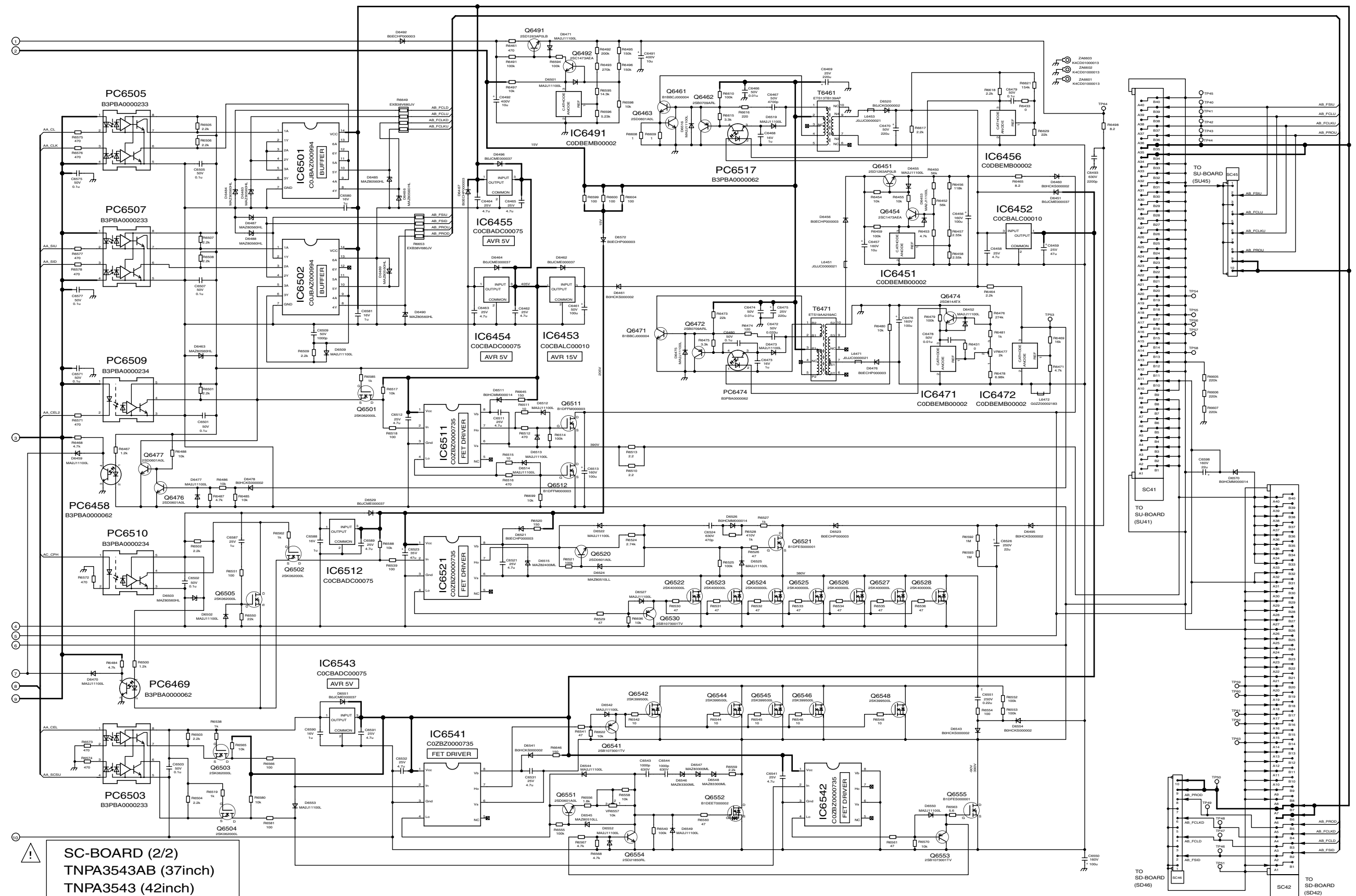


TH-42PA50A/H/M, TH-37PA50H/M  
SC-Board (1 of 2) Schematic Diagram

TH-42PA50A/H/M, TH-37PA50H/M  
SC-Board (1 of 2) Schematic Diagram

1 2 3 4 5 6 7 8 9

### 14.53. SC-Board (2 of 2) Schematic Diagram



SC-BOARD (2/2)  
TNPA3543AB (37inch)  
TNPA3543 (42inch)

TH-42PA50A/H/M, TH-37PA50H/M SC-Board (2 of 2) Schematic Diagram

TH-42PA50A/H/M, TH-37PA50H/M SC-Board (2 of 2) Schematic Diagram

10

11

12

13

14

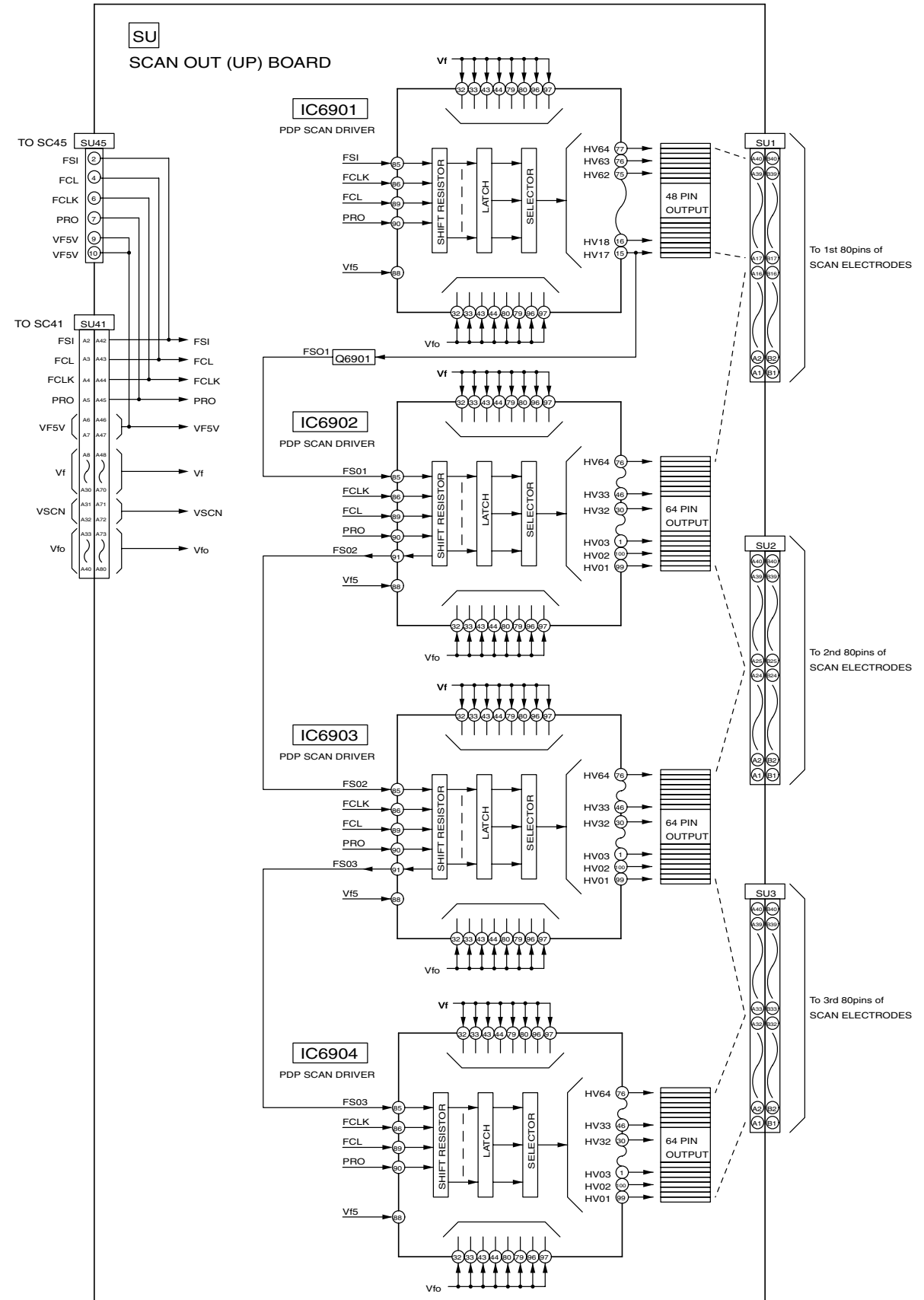
15

16

17

18

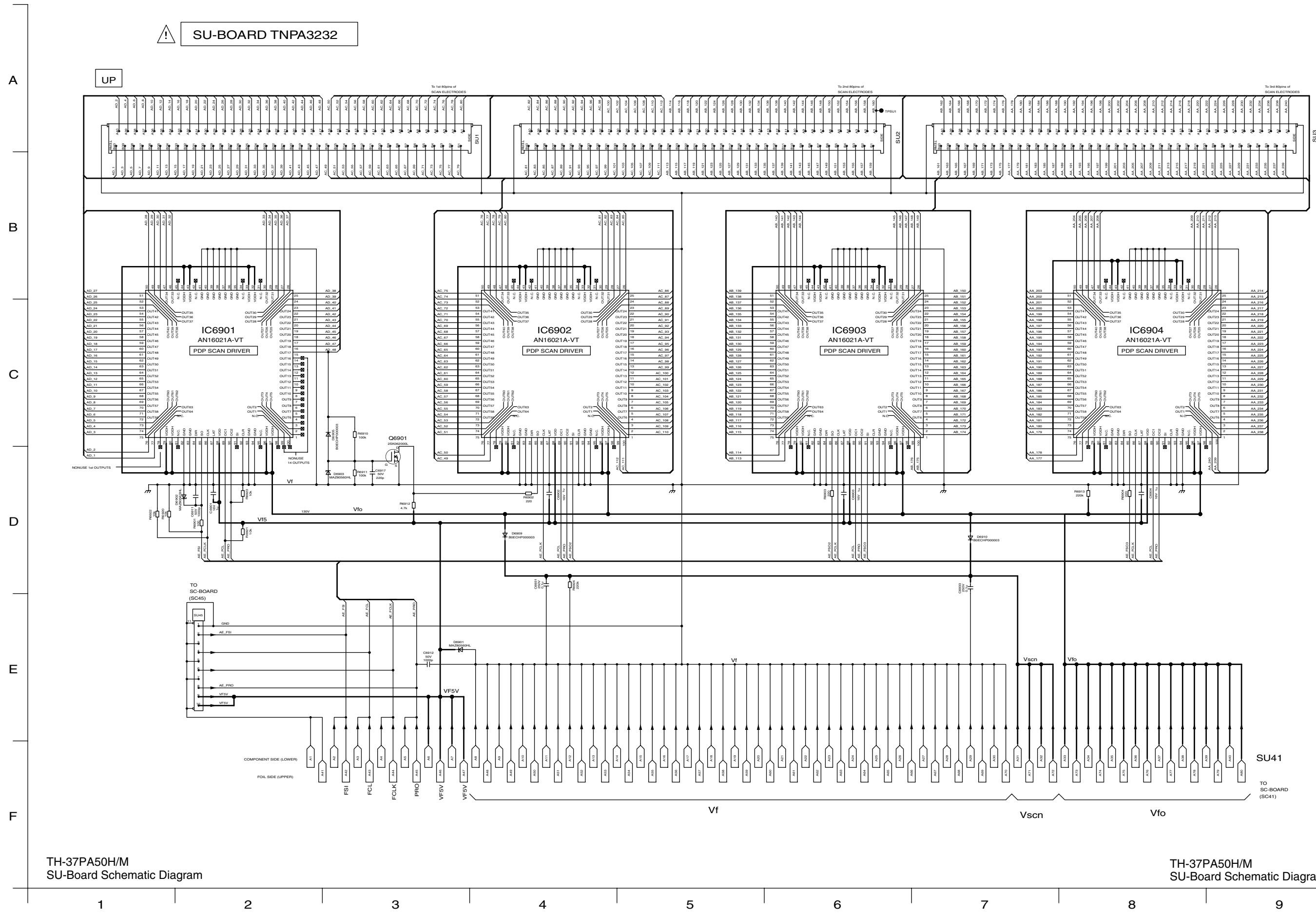
### 14.54. SU-Board Block Diagram



TH-42PA50A/H/M, TH-37PA50H/M  
SU-Board Block Diagram

TH-42PA50A/H/M, TH-37PA50H/M  
SU-Board Block Diagram

# 14.55. SU-Board Schematic Diagram (37 inch)



TH-37PA50H/M  
SU-Board Schematic Diagram

TH-37PA50H/M  
SU-Board Schematic Diagram

# 14.56. SU-Board Schematic Diagram (42 inch)

A

! SU-BOARD TNPA3242

UP

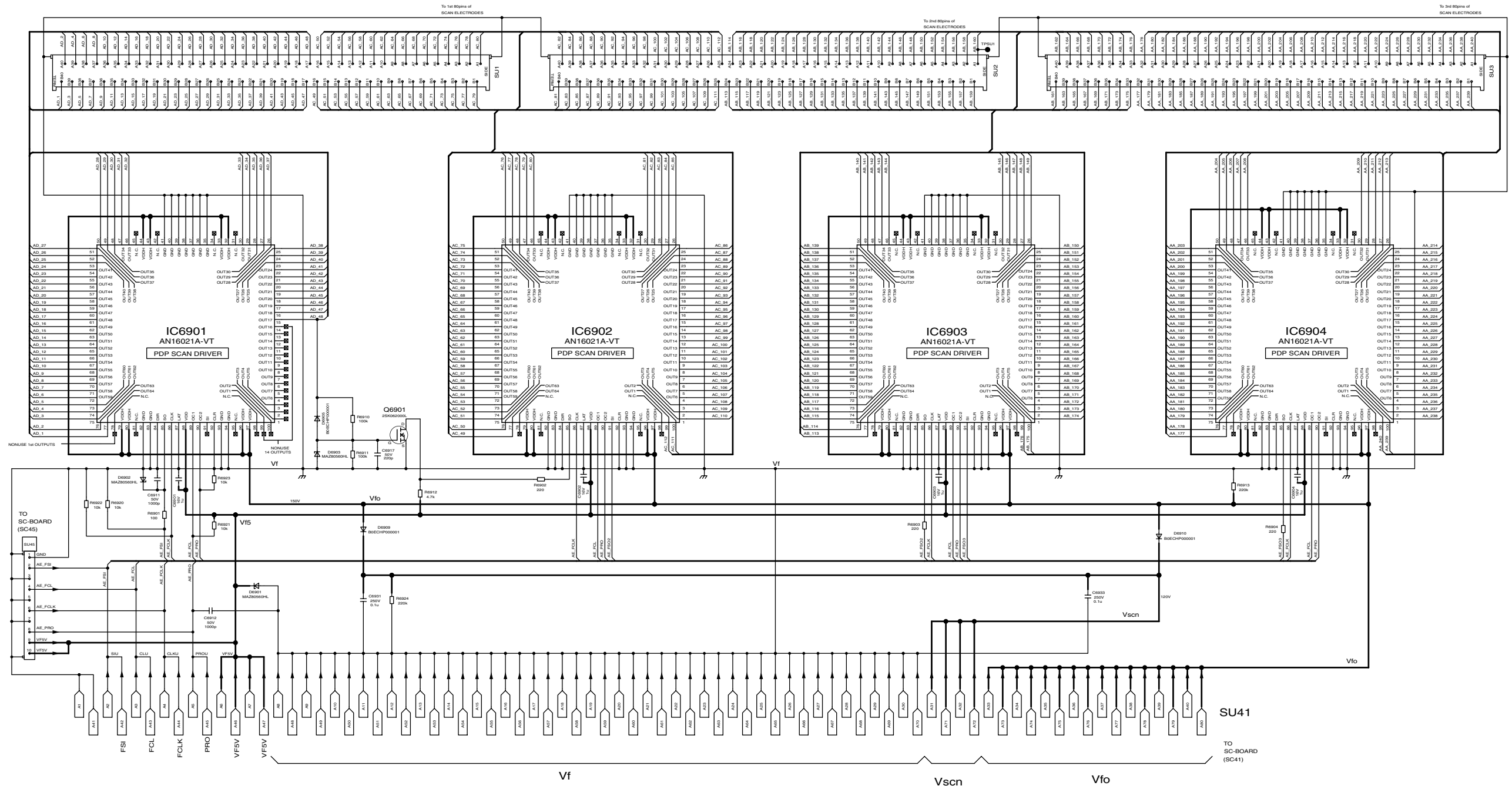
B

C

D

E

F



TH-42PA50A/H/M  
SU-Board Schematic Diagram

TH-42PA50A/H/M  
SU-Board Schematic Diagram

1

2

3

4

5

6

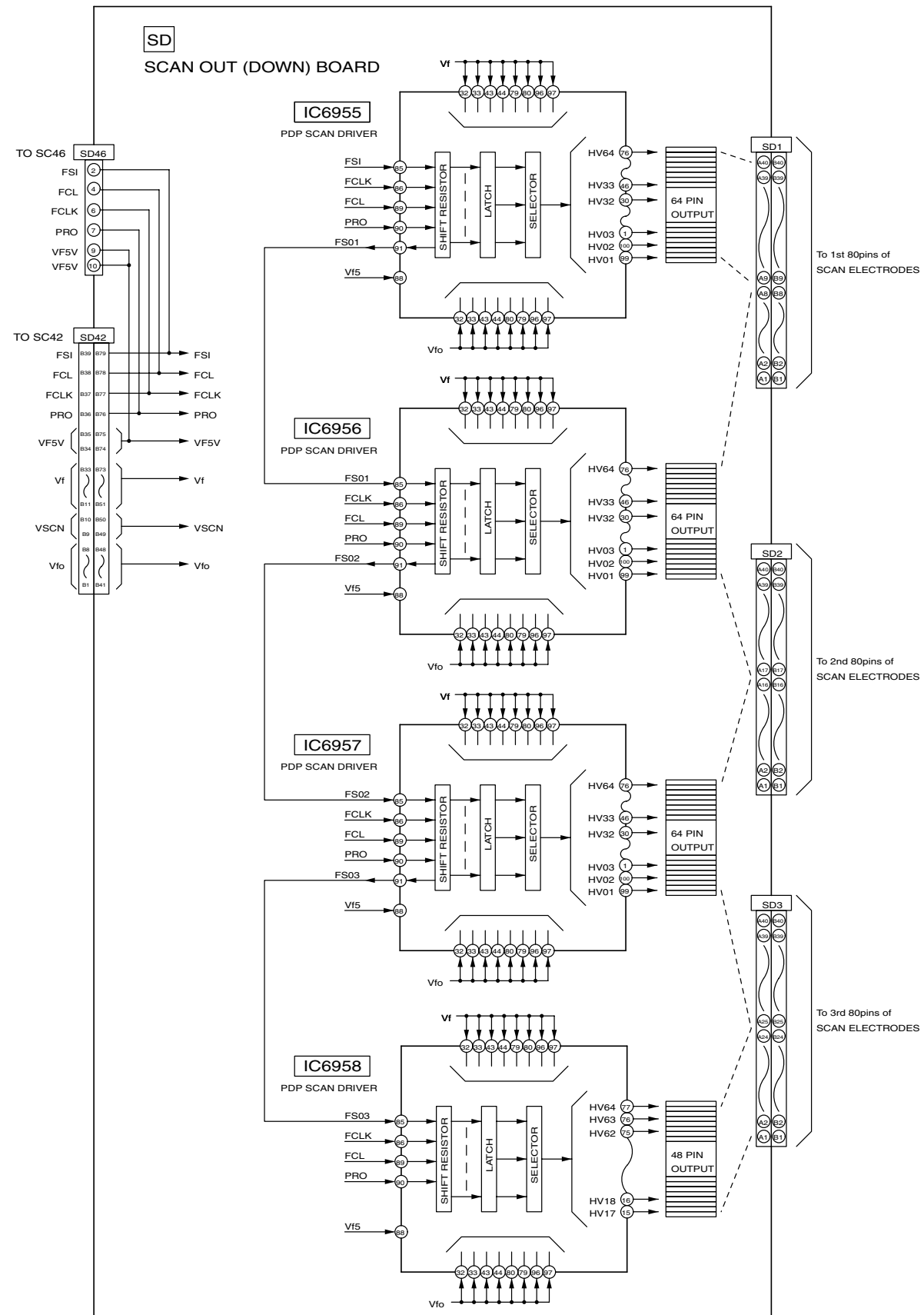
7

8

9



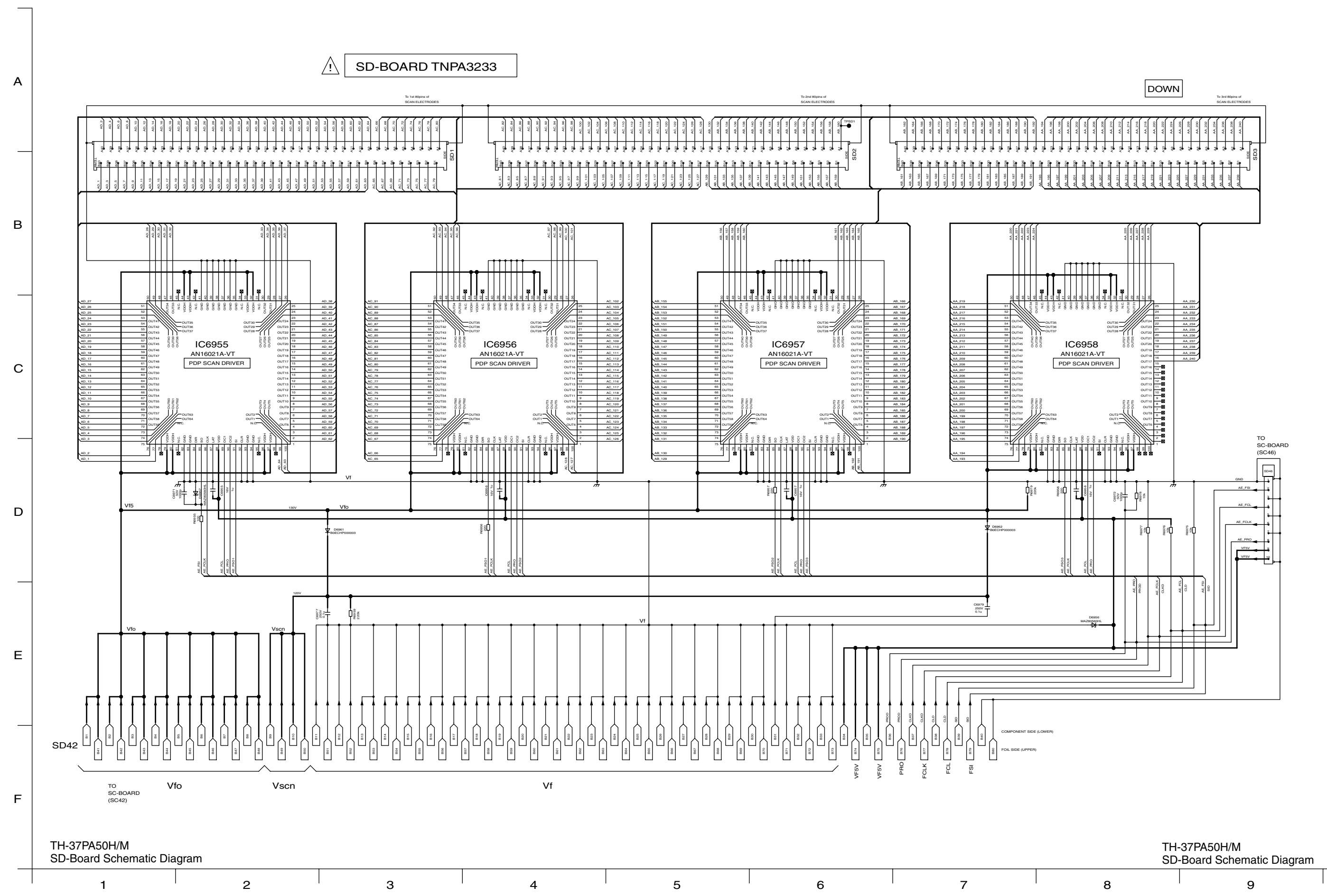
### 14.57. SD-Board Block Diagram



TH-42PA50A/H/M, TH-37PA50H/M  
SD-Board Block Diagram

TH-42PA50A/H/M, TH-37PA50H/M  
SD-Board Block Diagram

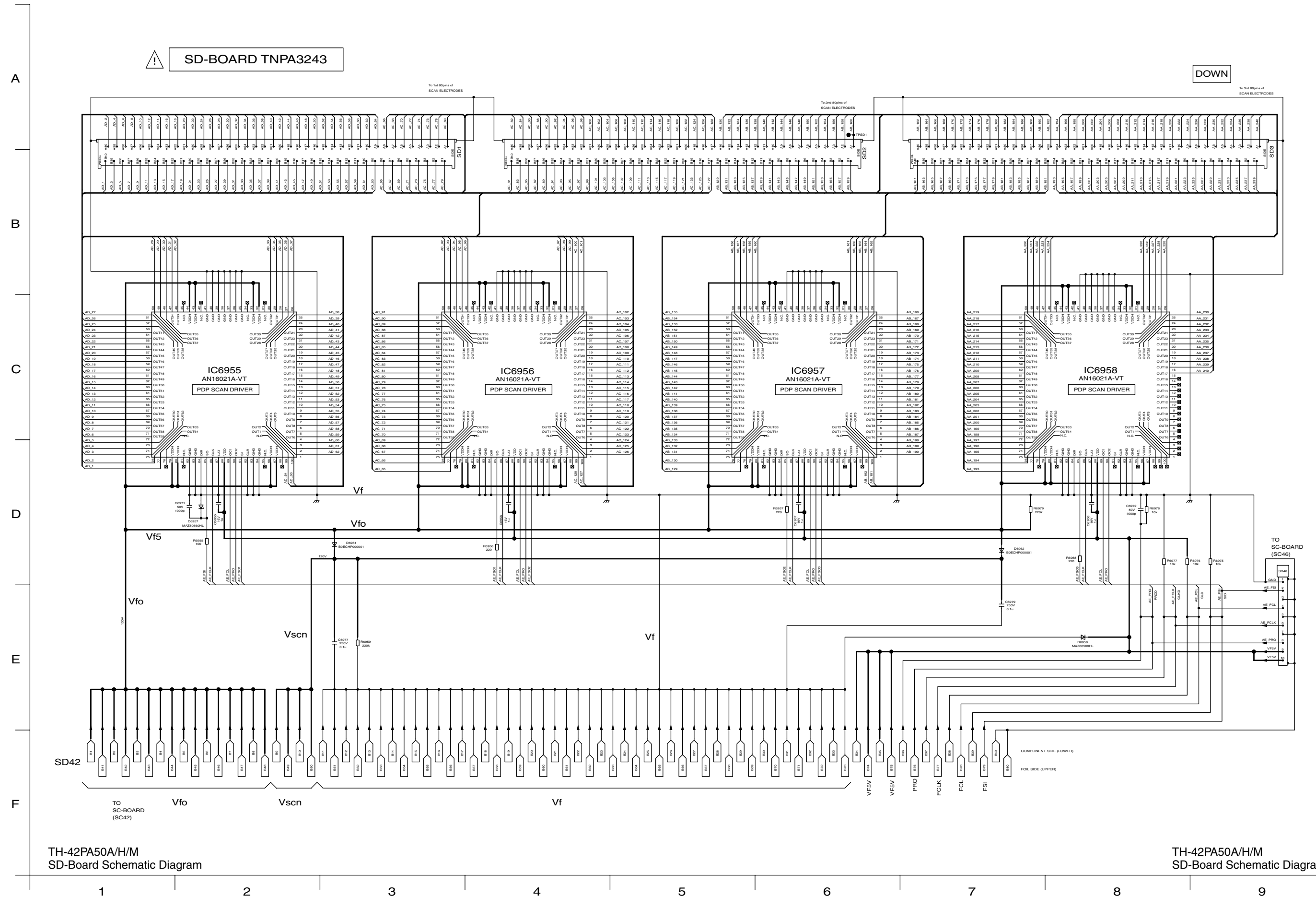
# 14.58. SD-Board Schematic Diagram (37 inch)



TH-37PA50H/M SD-Board Schematic Diagram

TH-37PA50H/M SD-Board Schematic Diagram

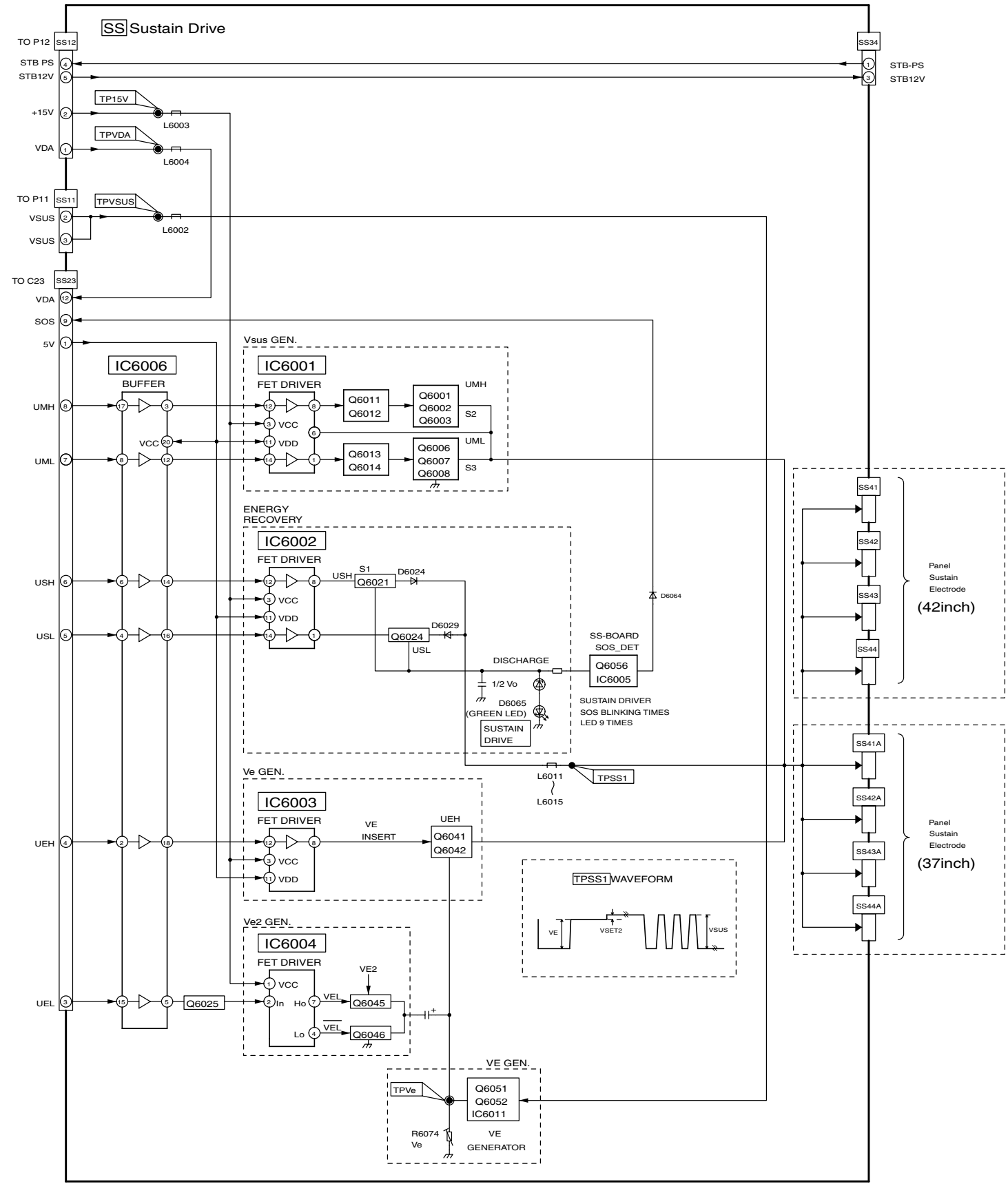
# 14.59. SD-Board Schematic Diagram (42 inch)



TH-42PA50A/H/M  
SD-Board Schematic Diagram

TH-42PA50A/H/M  
SD-Board Schematic Diagram

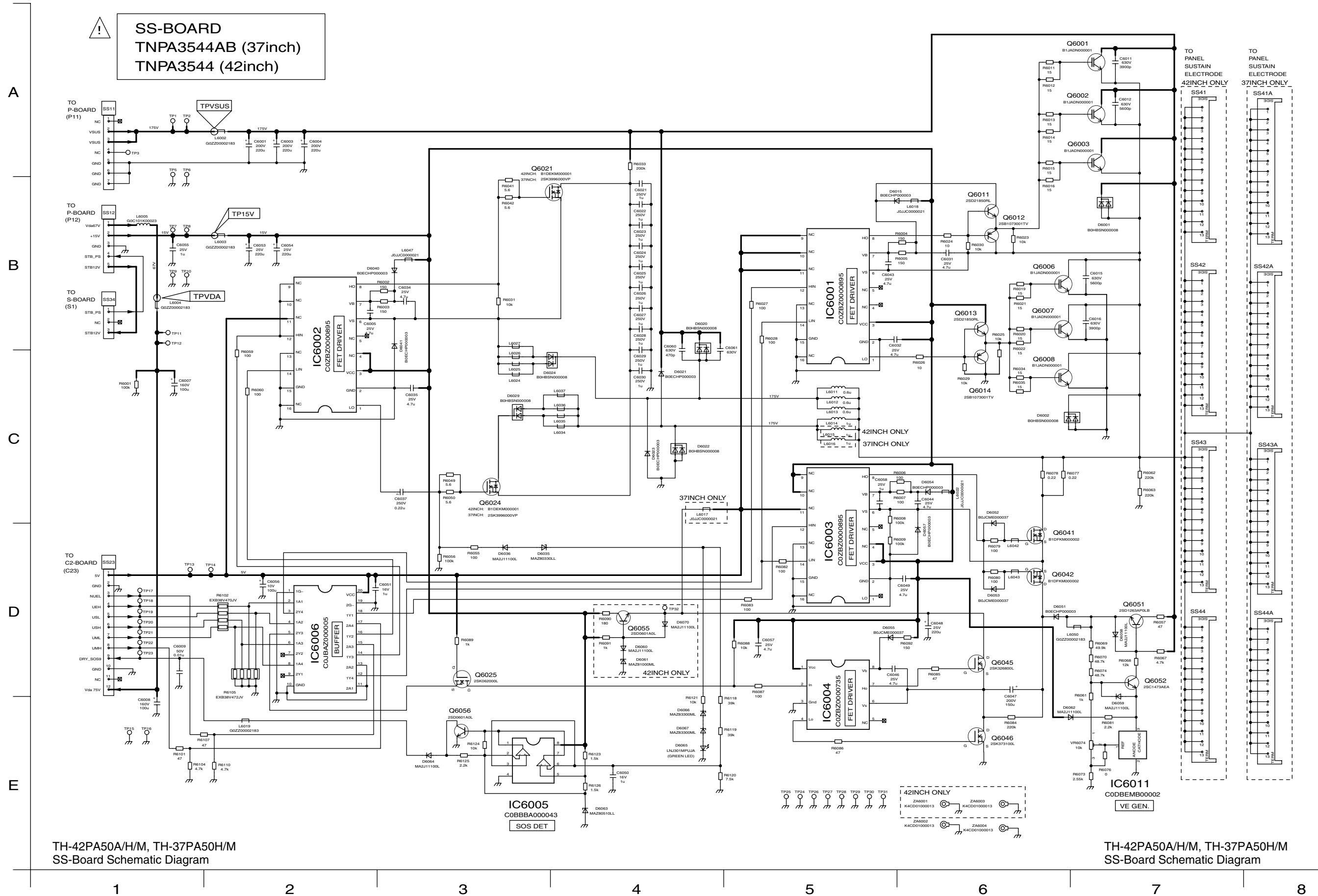
### 14.60. SS-Board Block Diagram



TH-42PA50A/H/M, TH-37PA50H/M  
SS-Board Block Diagram

TH-42PA50A/H/M, TH-37PA50H/M  
SS-Board Block Diagram

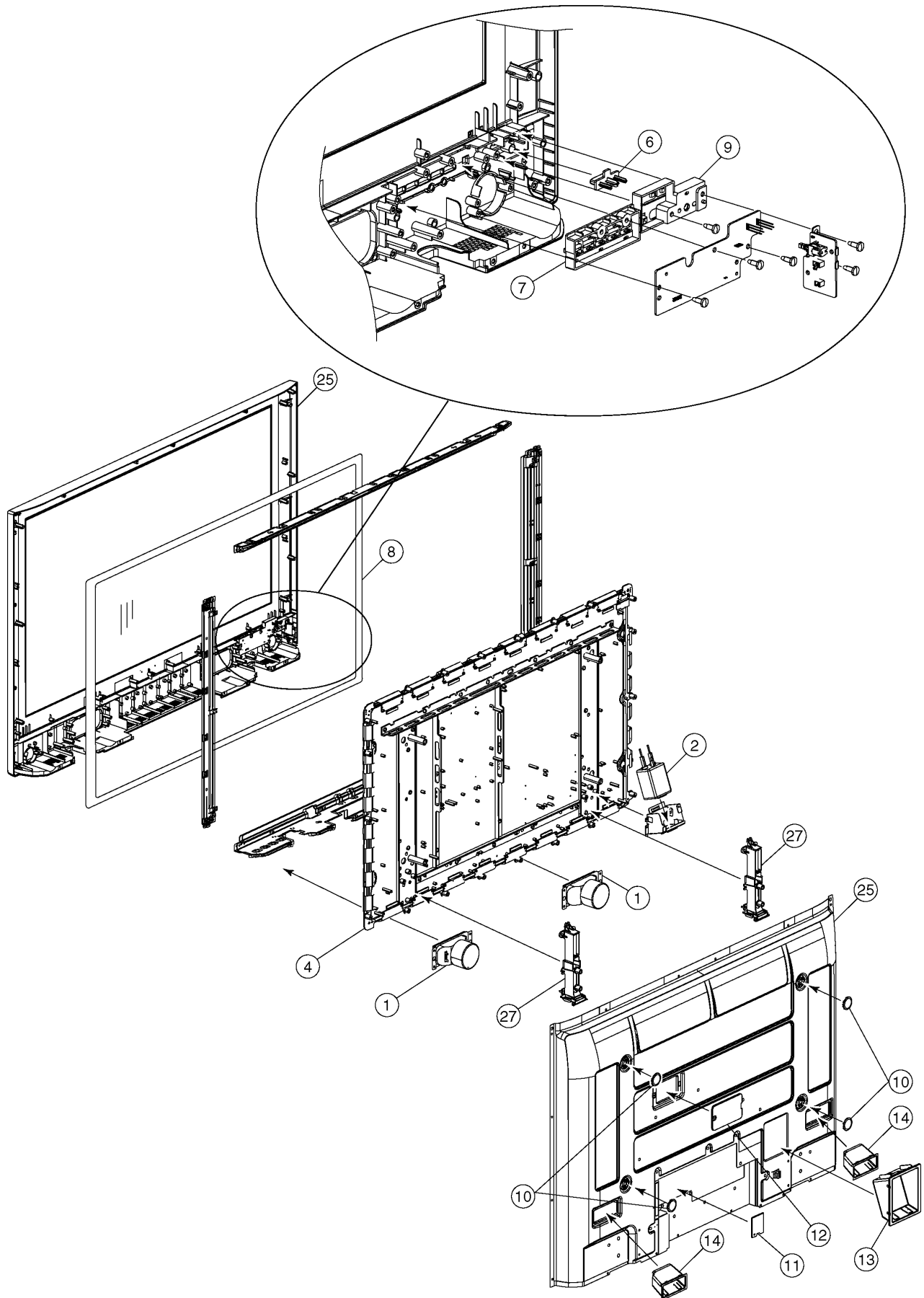
### 14.61. SS-Board Schematic Diagram



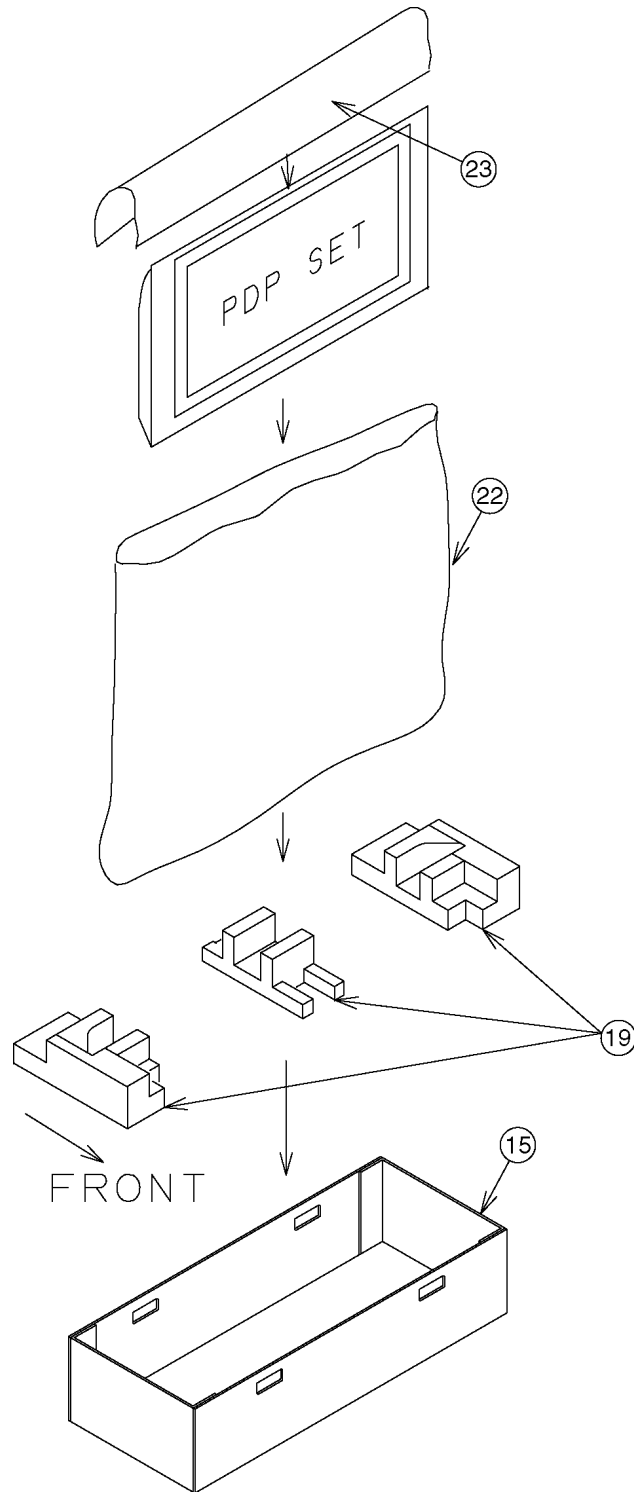


# 15 Parts Location & Mechanical Replacement Parts List

## 15.1. Parts Location

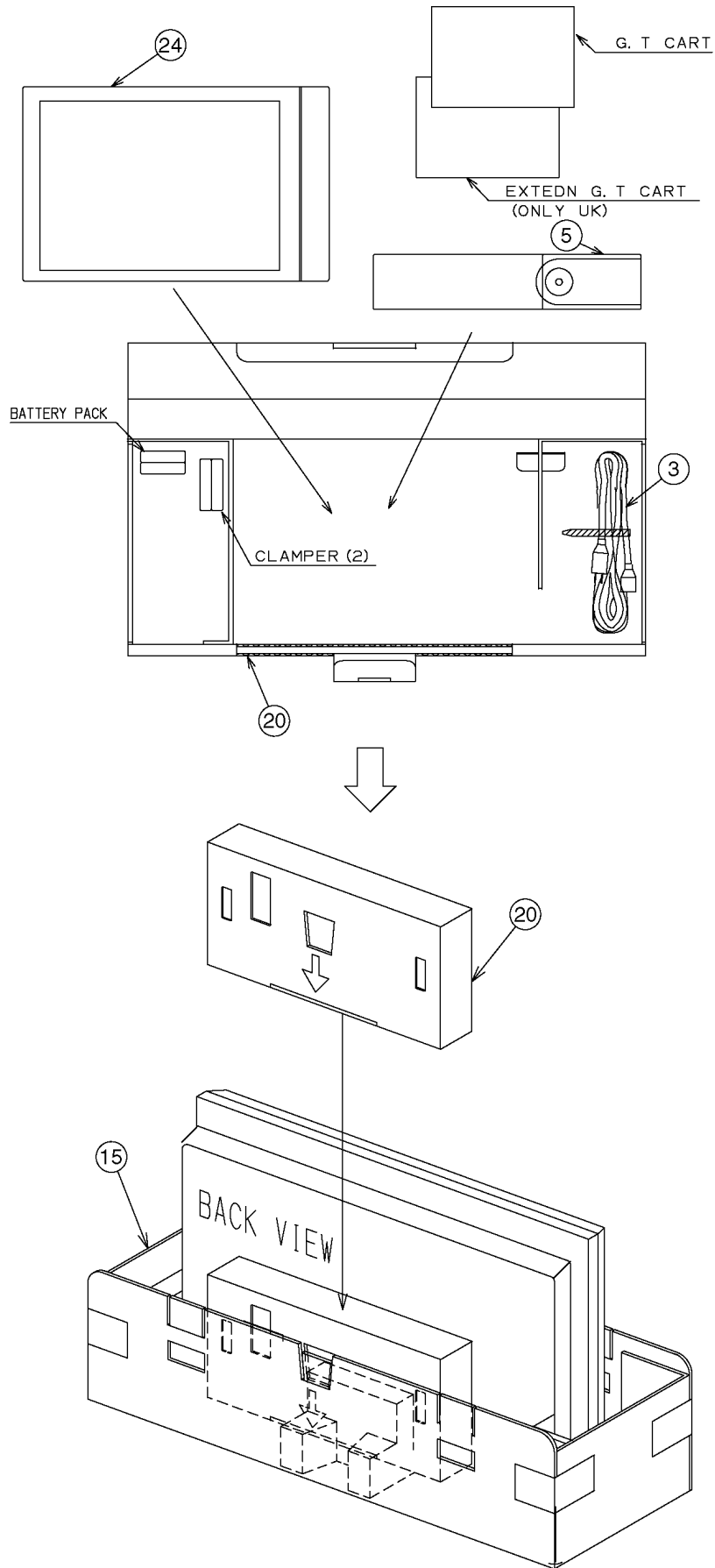


## 15.2. Packing Exploded Views (1)

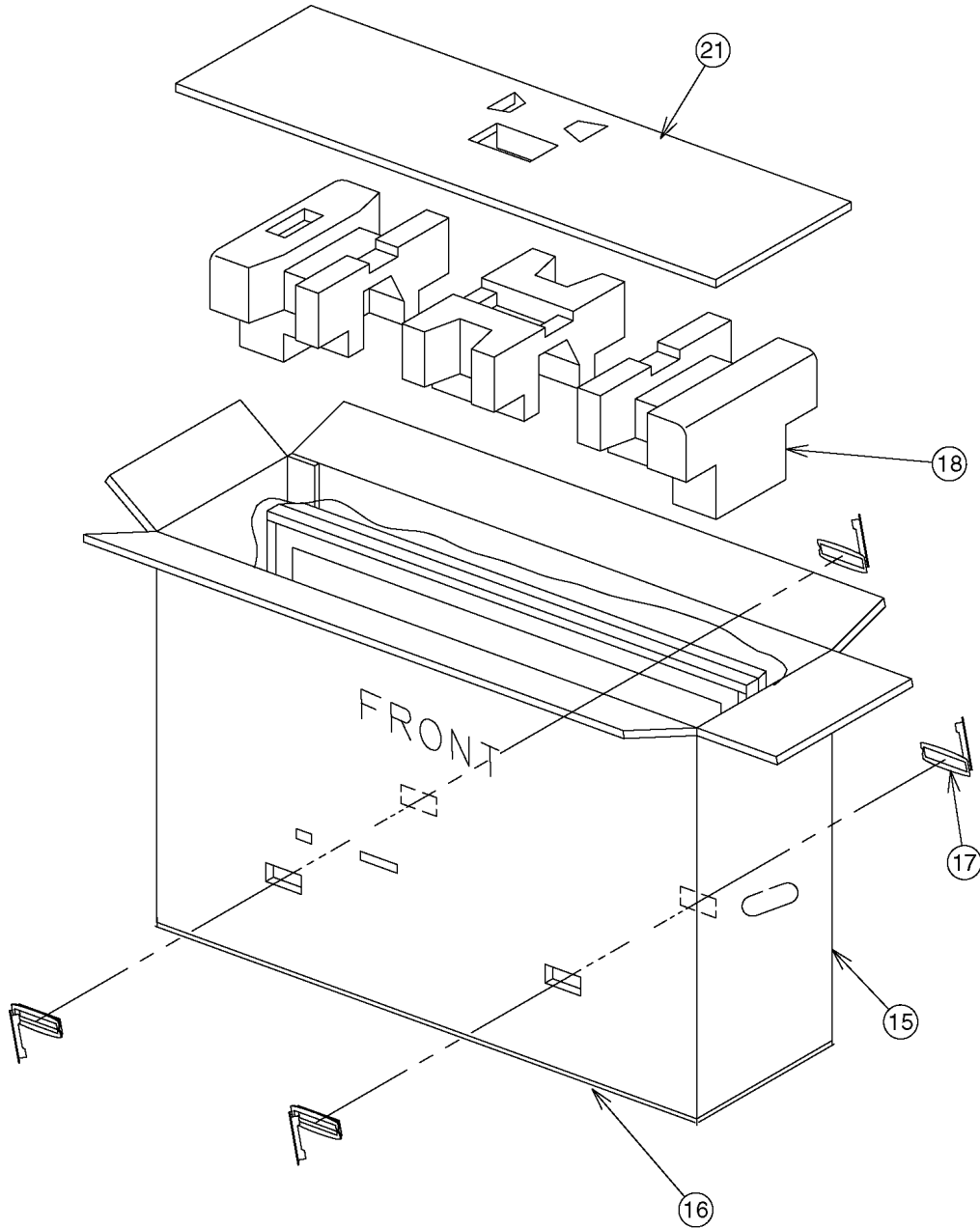




### 15.3. Packing Exploded Views (2)



### 15.4. Packing Exploded Views (3)



## 15.5. Mechanical Replacement Parts List

### Note:

All parts except parts mentioned [PAVCCZ] in the Remarks column are supplied by AVC-SPC.

Parts mentioned [PAVCCZ] are supplied by PAVCCZ.

Ref. No.	Part No.	Part Name & Description	Pcs	Remarks
1	EAS12S08A	SPEAKER	2	
	JOKD00000095	FLAT CORE	2	
	JOKG00000042	NOISE FILTER	1	TH-42PA50A
	JZZZ00000036	RF CABLE	1	TH-37/42PA50H/M
	K1LB12A00035	RELAY	1	TH-37PA50H/M
	K1YD55000001	55P CONNECTOR	2	
2	K2AH3H000033	AC-INLET	1	△
3	K2CK3DH00029	AC CORD	1	TH-42PA50A △
3	K2CN3DH00006	AC CORD	1	TH-37/42PA50M △
3	K2CN3DH00018	AC CORD	1	TH-37/42PA50H △
4	MD37S08A1J	PLASMA DISPLAY PANEL	1	
5	N2QAJB000154	REMOTE CONTROL	1	
	TBMA149	PANASONIC BADGE (SILVER)	1	
6	TBXA46302	POWER BUTTON	1	
7	TBXA46402	5KEYS BUTTON	1	
	TES4G204	SPRING	1	
	THEL0239	SCREW	1	
	THEL027N	SCREW	4	
	THEL035N	SCREW	66	TH-37PA50H/M
	THEL035N	SCREW	62	TH-42PA50A/H/M
	THEL0429	SCREW	23	
	THEL0439	SCREW (FLOCK)	4	
	THTA0379	SCREW	2	
8	TKGA5219	FRONT GLASS	1	
9	TKKC5208	PANEL LIGHT	1	
10	TKKL5231	COVER	4	
11	TKKL5306	ADJUSTMENT COVER (SMALL)	1	
12	TKKL5330	ADJUSTMENT COVER (LARGE)	1	
13	TKPA94301	INLET COVER	1	
14	TKRA34802	B/COVER HANDLE	2	TH-37PA50H/M
	TKRA46201	REAR COVER HANDLE	2	TH-42PA50A/H/M
	TMKG556	SPONGE T/B	2	TH-42PA50A/H/M
	TMKG560	SPONGE T/B	2	TH-37PA50H/M
	TMKG557	SPONGE L/R	2	TH-42PA50A/H/M
	TMKG561	SPONGE L/R	2	TH-37PA50H/M
	TMM17499	CLAMPER	1	
	TMM25401	CLAMPER	5	
	TMM7464-2	CLAMPER	1	
	TMM7468-1	CLAMPER	1	
	TMME047	CLAMPER	6	
	TMME061	CLAMPER	5	
	TMME190	CLAMPER	2	
	TMME199	CLAMPER	2	
	TMME206	CLAMPER	2	
	TMME226	CLAMPER	1	
15	TPCB77301	CARTON BOX TOP	1	TH-42PA50A △
15	TPCB77302	CARTON BOX TOP	1	TH-42PA50H △
15	TPCB77303	CARTON BOX TOP	1	TH-42PA50M △
15	TPCB77602	CARTON BOX TOP	1	TH-37PA50H △
15	TPCB77603	CARTON BOX TOP	1	TH-37PA50M △
16	TPCB77701	CARTON BOX BOTTOM	1	TH-37PA50H/M
16	TPCB78801	CARTON BOX BOTTOM	1	TH-42PA50A/H/M
17	TPD169487	JOINT	4	
18	TPDA1130	CUSHION TOP	1	

Ref. No.	Part No.	Part Name & Description	Pcs	Remarks
19	TPDA1131	CUSHION BOTTOM	1	
20	TPDF0737	ACCESSORIES BOX	1	
21	TPDF1393	TOP PAD	1	TH-42PA50A/H/M
21	TPDF1394	TOP PAD	1	TH-37PA50H/M
22	TPEH170	PROTECT COVER	1	
23	TPEH273	TOP-PROTECT SHEET	1	
24	TQBC2040	INSTRUCTION BOOK (ENGLISH)	1	TH-42PA50A △
24	TQBC2041	INSTRUCTION BOOK (ENGLISH)	1	TH-37/42PA50H △
24	TQBC2042	INSTRUCTION BOOK (CHINESE)	1	TH-37/42PA50H △
24	TQBC2043	INSTRUCTION BOOK (ARABIC)	1	TH-37/42PA50M △
24	TQBC2044	INSTRUCTION BOOK (PERSIAN)	1	TH-37/42PA50M △
	TSXL436	CABLE (DG2-H2)	1	
	TSXL438	CABLE (PA30-H30/DG20-PA20)	2	
	TSXL440	CABLE (D33-C21/D34-C11)	2	
	TSXL460	CABLE (Z50-H50)	1	
25	TTUA1184	REAR COVER	1	TH-42PA50A △
25	TTUA1185	REAR COVER	1	TH-42PA50H △
25	TTUA1186	REAR COVER	1	TH-42PA50M △
25	TTUA1187	REAR COVER	1	TH-37PA50H △
25	TTUA1188	REAR COVER	1	TH-37PA50M △
26	TXFKE01YFSE	ESCUTCHEON ASS'Y	1	TH-42PA50A/H/M △
26	TXFKE01YGSE	ESCUTCHEON ASS'Y	1	TH-37PA50H/M △
27	TXFMZ01YFSUA	STAND BLOCK ASS'Y	2	
	TXJ/SWYFSE	SPEAKER LEAD	2	
	TXJ/Z2YFSE	SPEAKER LEAD (SPWL/SPWR)	1	
	XTB3+10GFJ	SCREW	4	
	XTB4+12GFJ	SCREW	29	TH-37PA50H/M
	XTB4+12GFJ	SCREW	33	TH-42PA50A/H/M
	XTB4+12GFJK	SCREW	1	
	XTB4+15AFJK	SCREW	19	
	XTV3+10JFJK	SCREW	4	
	XWG3F15FJ	WASHER	2	TH-37PA50H/M, TH-42PA50A/H
	XWG3F16FJ	WASHER	2	TH-42PA50M
	XYC4+FJ35FJK	SCREW	8	
	XYN3+F6FJ	SCREW	1	
	XYN3+F8FJ	SCREW	32	
	XYN3+J10FJ	SCREW	1	
	XYN3+J12FJ	SCREW	23	
	XYN3+J8FJ	SCREW ROHS	2	
	XYN4+E8FJ	SCREW (EARTH)	1	
	XYN5+C15FJ	SCREW	8	
	XZBT6506	POLY BAG	1	

# 16 Electrical Replacement Parts List

## 16.1. Replacement Parts List Notes

### Important Safety Notice

Components identified by  $\Delta$  mark have special characteristics important for safety. When replacing any of these components, use only manufacturer's specified parts.

#### RTL (Retention Time Limited)

**Note:** The marking (RTL) indicates that the Retention Time is Limited for this item. After the discontinuation of this assembly in production, the item will continue to be available for a specific period of time. The retention period of availability is dependant on the type of assembly, and in accordance with the laws governing part and product retention. After the end of this period, the assembly will no longer be available.

Abbreviation of part name and description

#### 1. Resistor

#### 2. Capacitor

Example:

Example:

ERD25TJ104  $\underline{C}$  100KOHM,  $\underline{J}$ , 1/4W  
 Type Allowance

ECKF1H103ZF  $\underline{C}$  0.01UF,  $\underline{Z}$ , 50V  
 Type Allowance

Type	Allowance
C : Carbon	F : $\pm 1\%$
F : Fuse	G : $\pm 2\%$
M : Metal Oxide Metal Film	J : $\pm 5\%$
S : Solid	K : $\pm 10\%$
W : Wire Wound	M : $\pm 20\%$

Type	Allowance
C : Ceramic	C : $\pm 0.25\text{pF}$
E : Electrolytic	D : $\pm 0.5\text{pF}$
P : Polyester	F : $\pm 1\text{pF}$
Polypropylene	G : $\pm 3\text{pF}$
J : $\pm 5\text{pF}$	
T : Tantalum	K : $\pm 10\text{pF}$
	L : $\pm 15\text{pF}$
	M : $\pm 20\text{pF}$
	P : +100%, -0%
	Z : +80%, -20%

## 16.2. Electrical Replacement Parts List (37inch)

### Note:

All parts except parts mentioned [PAVCCZ] in the Remarks column are supplied by AVC-SPC.

Parts mentioned [PAVCCZ] are supplied by PAVCCZ.

Ref. No.	Part No.	Part Name & Description	Pcs	Remarks
F401.40 2	K5D802BNA005	TIME LAG FUSE HIGH	2	△
C001	ECJ1XC1H221J	C 220PF, J, 50V	1	
C002	ECA1HM100	E 10UF, 50V	1	
C003	ECJ1VF1H104Z	C 0.1UF, Z, 50V	1	
C004	ECJ1XF1H102Z	C 1000PF, Z, 50V	1	
C005	ECJ1XC1H220J	C 22PF, J, 50V	1	
C006	ECA0JM102	E 1000UF, 6.3V	1	
C007	ECJ3VB1C474K	C 0.47UF, K, 16V	1	
C008	ECJ1XF1C104Z	C 0.1UF, Z, 16V	1	
C009	ECJ1XC1H101J	C 100PF, J, 50V	1	
C010,11	ECJ1XC1H330J	C 33PF, J, 50V	2	
C11	K1MN55BA0076	55P CONNECTOR	1	
C12	K1KA04BA0107	4P CONNECTOR	1	
C014	ECJ3YB0J335K	C 33UF, J, 25V	1	
C019	ECJ1XC1H220J	C 22PF, J, 50V	1	
C020	ECA0JM102	E 1000UF, 6.3V	1	
C021	ECJ1XF1C104Z	C 0.1UF, Z, 16V	1	
C21	K1MN55BA0076	55P CONNECTOR	1	
C022	ECJ1XC1H101J	C 100PF, J, 50V	1	
C22	K1KA04BA0107	4P CONNECTOR	1	
C23	K1KA12AA0153	12P CONNECTOR	1	
C024	ECJ1VF1H104Z	C 0.1UF, Z, 50V	1	
C027	ECJ3YB0J335K	C 33UF, J, 25V	1	
C029,30	ECJ1XC1H330J	C 33PF, J, 50V	2	
C036	ECJ1XC1H221J	C 220PF, J, 50V	1	
C037	ECJ1XF1H102Z	C 1000PF, Z, 50V	1	
C038	ECJ3VB1C474K	C 0.47UF, K, 16V	1	
C040	ECJ2VF1C104Z	C 0.1UF, Z, 16V	1	
C041-43	ECJ1XF1C104Z	C 0.1UF, Z, 16V	3	
C1100	ECJ1XB0J105K	C 1UF, K, 16V	1	
C1101,0 2	ECJ1XB1C104K	C 0.1UF, Z, 16V	2	
C1104	ECJ1XB1C104K	C 0.1UF, Z, 16V	1	
C1105,0 6	ECJ1XB0J105K	C 1UF, K, 16V	2	
C1107	ECJ1VB1H103K	C 0.001UF, K, 50V	1	
C1108- 11	ECJ1XB1C104K	C 0.1UF, Z, 16V	4	
C1112	EEEB1C100R	C 10PF, J, 16V	1	
C1113,1 4	ECJ1XB1C104K	C 0.1UF, Z, 16V	2	
C1115	EEEB0G101R	C 100PF, J, 4V	1	
C1116	ECJ1XC1H102J	C 1000PF, J, 50V	1	
C1117- 19	ECJ1XB1C104K	C 0.1UF, Z, 16V	3	
C1120	EEEB0G101R	C 100PF, J, 4V	1	
C1122	ECJ1XC1H102J	C 1000PF, J, 50V	1	
C1123,2 4	ECJ1XB1C104K	C 0.1UF, Z, 16V	2	
C1125	ECJ3XB0J106M	C 10UF, M, 6.3V	1	
C1126	ECJ1XB1C104K	C 0.1UF, Z, 16V	1	
C1127	ECJ1XC1H102J	C 1000PF, J, 50V	1	
C1128,2 9	ECJ1XB1C104K	C 0.1UF, Z, 16V	2	
C1130	ECJ1XC1H102J	C 1000PF, J, 50V	1	
C1131	ECJ1XB1C104K	C 0.1UF, Z, 16V	1	
C1132	EEEB1C100R	C 10PF, J, 16V	1	
C1133,3 4	ECJ1XB1C104K	C 0.1UF, Z, 16V	2	
C1135	ECJ1XC1H102J	C 1000PF, J, 50V	1	
C1136- 39	ECJ1XB1C104K	C 0.1UF, Z, 16V	4	
C1140	EEEB1E330P	C 33PF, J, 25V	1	
C1141	ECJ1VB1H103K	C 0.001UF, K, 50V	1	

Ref. No.	Part No.	Part Name & Description	Pcs	Remarks
C1150	EEEB1E330P	C 33PF, J, 25V	1	
C1152	ECJ1XB1C104K	C 0.1UF, Z, 16V	1	
C1155	ECJ1XB1C104K	C 0.1UF, Z, 16V	1	
C1170	EEVHP1C100R	E 10UF, 16V	1	
C1171	EEEB1C470P	C 47PF, J, 16V	1	
C1172	ECJ1XB1C104K	C 0.1UF, Z, 16V	1	
C1174	ECJ1XB1C104K	C 0.1UF, Z, 16V	1	
C1175	ECJ1XC1H151J	C 150PF, J, 50V	1	
C1178	ECJ1XB0J105K	C 1UF, K, 16V	1	
C1181,8 2	EEEB0G101R	C 100PF, J, 4V	2	
C1186	ECJ1VB1H103K	C 0.001UF, K, 50V	1	
C1187	ECJ1XC1H180J	C 18PF, J, 50V	1	
C1188	ECJ1XC1H220J	C 22PF, J, 50V	1	
C1193	ECJ1XB1C104K	C 0.1UF, Z, 16V	1	
C1194	ECJ1VB1H103K	C 0.001UF, K, 50V	1	
C1195	ECJ1XB0J105K	C 1UF, K, 16V	1	
C1196- 98	ECJ1XB1C104K	C 0.1UF, Z, 16V	3	
C1200,0 1	ECJ1XB1C104K	C 0.1UF, Z, 16V	2	
C1202	EEEB0G101R	C 100PF, J, 4V	1	
C1203	ECJ1XB1C104K	C 0.1UF, Z, 16V	1	
C1204	ECJ1XB0J105K	C 1UF, K, 16V	1	
C1205,0 6	ECJ1XC1H271J	C 270PF, J, 50V	2	
C1207	ECJ1XB1C104K	C 0.1UF, Z, 16V	1	
C1208	ECJ1XC1H271J	C 270PF, J, 50V	1	
C1209	EEEB0G101R	C 100PF, J, 4V	1	
C1211	ECJ1XB1C104K	C 0.1UF, Z, 16V	1	
C1212,1 3	ECJ1XC1H271J	C 270PF, J, 50V	2	
C1214- 16	ECJ1XB1C104K	C 0.1UF, Z, 16V	3	
C1217,1 8	ECJ1XC1H271J	C 270PF, J, 50V	2	
C1219	ECJ1VF1H103Z	C 0.010UF, Z, 50V	1	
C1220,2 1	ECJ1XC1H101J	C 100PF, J, 50V	2	
C1222	ECJ1VB1C105K	C 0.01UF, K, 16V	1	
C1223- 25	ECJ1XC1H680J	C 68PF, J, 50V	3	
C2005,0 6	ECJ1XC1H561J	C 560PF, J, 50V	2	
C2010,1 1	ECJ1XC1H561J	C 560PF, J, 50V	2	
C2013,1 4	ECJ1XC1H561J	C 560PF, J, 50V	2	
C2016,1 7	ECJ1XC1H561J	C 560PF, J, 50V	2	
C2019	ECA1CM221	E 220UF, 16V	1	
C2020	ECA1HM220	E 22UF, 50V	1	
C2111	ECJ2VF1C104Z	C 0.1UF, Z, 16V	1	
C2116	ECJ2VF1C104Z	C 0.1UF, Z, 16V	1	
C2118,1 9	ECEA1CN470U	E 47UF, 16V	2	
C2124	ECJ3XB1C106M	C 1.0UF, K, 16V	1	
C2125,2 6	ECJ1VB1H102K	C 1000PF, K, 50V	2	
C2127	ECA1CMH101	E 100UF, 16V	1	
C2128	ECJ2VF1C104Z	C 0.1UF, Z, 16V	1	
C2129,3 0	F1J1A1050002	C 1UF, Z, 50V	2	
C2131	ECJ2VF1C104Z	C 0.1UF, Z, 16V	1	
C2132	ECA1HM100	E 10UF, 50V	1	
C2133,3 4	ECJ1XC1H470J	C 47PF, J, 50V	2	
C2143	ECJ1VB1H103K	C 0.001UF, K, 50V	1	
C2146	ECJ2VF1C104Z	C 0.1UF, Z, 16V	1	
C2147	ECA1HM220	E 22UF, 50V	1	
C2148- 50	ECJ2FB1C105K	C 1UF, Z, 16V	3	
C2152	ECJ2FB1C105K	C 1UF, Z, 16V	1	
C2153	ECJ2FF1C475Z	C 0.047UF, Z, 16V	1	

Ref. No.	Part No.	Part Name & Description	Pcs	Remarks
C2154	ECJ2VF1C104Z	C 0.1UF, Z, 16V	1	
C2159,60	ECJ2FB1C105K	C 1UF, Z, 16V	2	
C2161	ECA1CMH101	E 100UF, 16V	1	
C2164,65	ECJ2FB1C105K	C 1UF, Z, 16V	2	
C2172	ECJ1VB1H102K	C 1000PF, K, 50V	1	
C2173	ECJ1VB1H103K	C 0.001UF, K, 50V	1	
C2174	ECJ1VB1H102K	C 1000PF, K, 50V	1	
C2175-77	ECJ1VB1H103K	C 0.001UF, K, 50V	3	
C2178,79	ECA1HM100	E 10UF, 50V	2	
C2181	ECJ2VF1C104Z	C 0.1UF, Z, 16V	1	
C2183	ECA1HM3R3	E 3.3UF, 50V	1	
C2184,85	ECJ2VF1C104Z	C 0.1UF, Z, 16V	2	
C2189,90	ECJ2FB1C105K	C 1UF, Z, 16V	2	
C2191	ECJ2VF1C104Z	C 0.1UF, Z, 16V	1	
C2192	ECA1HM100	E 10UF, 50V	1	
C2195	ECJ1XC1H470J	C 47PF, J, 50V	1	
C2196	ECJ2VF1C104Z	C 0.1UF, Z, 16V	1	
C2197	ECJ2VF1C105Z	C 1UF, Z, 16V	1	
C2198	ECA1CMH101	E 100UF, 16V	1	
C2199	ECJ1VC1H560J	C 56PF, J, 50V	1	
C2200	ECJ1XC1H470J	C 47PF, J, 50V	1	
C2201,02	ECJ1XC1H050C	C 5PF, C, 50V	2	
C2203	ECJ1VC1H100C	C 10PF, C, 50V	1	
C2204	ECJ1XC1H220J	C 22PF, J, 50V	1	
C2206	ECA1CMH101	E 100UF, 16V	1	
C2207	ECJ2VF1C104Z	C 0.1UF, Z, 16V	1	
C2214	ECJ1VB1H102K	C 1000PF, K, 50V	1	
C2215	ECJ2VF1C104Z	C 0.1UF, Z, 16V	1	
C2222	ECJ2VF1C104Z	C 0.1UF, Z, 16V	1	
C2223	ECJ1XC1H390J	C 39PF, J, 50V	1	
C2225	ECJ2FB1C105K	C 1UF, Z, 16V	1	
C2226	ECJ1VB1H102K	C 1000PF, K, 50V	1	
C2300,01	ECJ1VF1H104Z	C 0.1UF, Z, 50V	2	
C2305	ECA1CMH101	E 100UF, 16V	1	
C2306	ECJ1VB1H103K	C 0.001UF, K, 50V	1	
C2307	ECA1CMH101	E 100UF, 16V	1	
C2308,09	ECJ1VB1H103K	C 0.001UF, K, 50V	2	
C2310,11	ECJ3YB1A475K	C 0.047UF, K, 10V	2	
C2314	ECJ1VB1H562K	C 5600PF, K, 50V	1	
C2315	ECA1CHG470	E 47UF, 16V	1	
C2316	ECJ1XF1C104Z	C 0.1UF, Z, 16V	1	
C2318	ECJ1XF1C104Z	C 0.1UF, Z, 16V	1	
C2319	ECJ1XC1H471J	C 470PF, J, 50V	1	
C2320	ECJ1VB1E473K	C 0.047UF, K, 25V	1	
C2322	ECJ1XC1H471J	C 470PF, J, 50V	1	
C2323	ECJ1VB1E473K	C 0.047UF, K, 25V	1	
C2324	ECJ1XC1H471J	C 470PF, J, 50V	1	
C2325	ECJ1VB1E473K	C 0.047UF, K, 25V	1	
C2327	ECJ1XC1H471J	C 470PF, J, 50V	1	
C2328	ECJ1VB1E473K	C 0.047UF, K, 25V	1	
C2329-32	ECJ1VB1H332K	C 3300PF, K, 50V	4	
C2358	ECA1CMH101	E 100UF, 16V	1	
C2359	ECJ1VB1H103K	C 0.001UF, K, 50V	1	
C2372	ECA1HHG100	E 10UF, 50V	1	
C2374	ECA1HHG100	E 10UF, 50V	1	
C2376-79	ECJ2XB1H102K	C 1000PF, K, 50V	4	
C2384-87	ECJ2XB1H102K	C 1000PF, K, 50V	4	
C2428,29	ECJ2XB1E104K	C 0.1UF, K, 25V	2	
C2430	ECJ1VF1A105Z	C 1UF, Z, 10V	1	
C2433,34	ECJ2FB1A225K	C 2.2UF, K, 10V	2	

Ref. No.	Part No.	Part Name & Description	Pcs	Remarks
C2437,38	ECJ2FB1A225K	C 2.2UF, K, 10V	2	
C2441,42	ECJ1XC1H221J	C 220PF, J, 50V	2	
C2445,46	ECJ2FB1E105K	C 1UF, K, 25V	2	
C2449,50	ECA1EHG331	E 330UF, 25V	2	
C2453,54	ECJ2FB1E105K	C 1UF, K, 25V	2	
C2457,58	ECJ2FB0J335K	C 3.3UF, K, 16V	2	
C2461,62	ECJ2XB1H332K	C 3300PF, K, 50V	2	
C2465,66	ECJ2FB1E105K	C 1UF, K, 25V	2	
C2469,70	ECJ2FB1E105K	C 1UF, K, 25V	2	
C2473,74	ECJ2FB1E105K	C 1UF, K, 25V	2	
C2477,78	ECJ2FB1E105K	C 1UF, K, 25V	2	
C2481-84	ECJ2FB1E224K	C 22UF, K, 25V	4	
C2489,90	ECJ2XB1H332K	C 3300PF, K, 50V	2	
C2497,98	ECJ2FB1E105K	C 1UF, K, 25V	2	
C2512	ECJ3XB0J106M	C 10UF, M, 6.3V	1	
C2515	ECJ1VB1H103K	C 0.001UF, K, 50V	1	
C3005	ECJ2VF1C104Z	C 0.1UF, Z, 16V	1	
C3015	ECJ2VF1C104Z	C 0.1UF, Z, 16V	1	
C3021-24	FLJ1A1050002	C 1UF, Z, 50V	4	
C3032	ECJ2XB1A105K	C 1UF, K, 10V	1	
C3033	FLJ1A1050002	C 1UF, Z, 50V	1	
C3035	FLJ1A1050002	C 1UF, Z, 50V	1	
C3038	ECJ2VF1C104Z	C 0.1UF, Z, 16V	1	
C3040	ECJ2VF1C104Z	C 0.1UF, Z, 16V	1	
C3043	FLJ1A1050002	C 1UF, Z, 50V	1	
C3044	ECJ2VF1C104Z	C 0.1UF, Z, 16V	1	
C3045	FLJ1A1050002	C 1UF, Z, 50V	1	
C3047	FLJ1A1050002	C 1UF, Z, 50V	1	
C3049,50	FLJ1A1050002	C 1UF, Z, 50V	2	
C3054-56	FLJ1A1050002	C 1UF, Z, 50V	3	
C3058	ECA1CMH101	E 100UF, 16V	1	
C3059	ECJ2VF1C105Z	C 1UF, Z, 16V	1	
C3060	ECJ2VF1C104Z	C 0.1UF, Z, 16V	1	
C3062-64	ECJ2VF1C104Z	C 0.1UF, Z, 16V	3	
C3066	ECJ2VF1C105Z	C 1UF, Z, 16V	1	
C3068	ECJ2VF1C104Z	C 0.1UF, Z, 16V	1	
C3069	ECA1EM471	E 470UF, 25V	1	
C3207	ECJ2FB1C105K	C 1UF, Z, 16V	1	
C3208	ECJ2XB1C474K	C 0.47UF, Z, 16V	1	
C3212	ECJ2VF1C104Z	C 0.1UF, Z, 16V	1	
C3214	ECJ2FF1A106Z	C 0.001UF, Z, 10V	1	
C3216	ECJ2FF1A106Z	C 0.001UF, Z, 10V	1	
C3217,18	ERJ3GEY0R00	M 0 OHM, 1/16W	2	
C3226-29	ECJ2FF1A106Z	C 0.001UF, Z, 10V	4	
C3230	ECJ2VF1C104Z	C 0.1UF, Z, 16V	1	
C3233	ECJ2VF1C104Z	C 0.1UF, Z, 16V	1	
C3235	ECJ1VF1H104Z	C 0.1UF, Z, 50V	1	
C3236	ECA1HM100	E 10UF, 50V	1	
C3241-43	ECJ2VF1C104Z	C 0.1UF, Z, 16V	3	
C3248	ECJ2FB1C105K	C 1UF, Z, 16V	1	
C3249	ECJ2XB1C474K	C 0.47UF, Z, 16V	1	
C3250,51	ECJ1XF1C104Z	C 0.1UF, Z, 16V	2	
C3252	ECJ2FB1C105K	C 1UF, Z, 16V	1	
C3253-55	ECJ1XF1C104Z	C 0.1UF, Z, 16V	3	

Ref. No.	Part No.	Part Name & Description	Pcs	Remarks
C3256	ECJ2FB1C105K	C 1UF, Z, 16V	1	
C3257-61	ECJ1XF1C104Z	C 0.1UF, Z, 16V	5	
C3262-64	ECJ1VB1H472K	C 4700PF, K, 50V	3	
C4001	EEVHB0G221P	E 220UF, 4V	1	
C4002	ECJ1XB1C104K	C 0.1UF, Z, 16V	1	
C4003	EEFCD0G560R	56UF,	1	
C4004	ECJ2YB0J225K	C 2.2UF, K, 6.3V	1	
C4005	ECJ1XB1C104K	C 0.1UF, Z, 16V	1	
C4006	ECJ1XC1H471J	C 470PF, J, 50V	1	
C4014,15	ECJ1XB1C104K	C 0.1UF, Z, 16V	2	
C4016	ECJ1XC1H470J	C 47PF, J, 50V	1	
C4018	ECJ1XB1C104K	C 0.1UF, Z, 16V	1	
C4019	ECJ2FB1C684K	C 68UF, Z, 16V	1	
C4020	ECJ1XB1C393K	C 0.039UF, K, 16V	1	
C4023,24	ECJ1XB1C104K	C 0.1UF, Z, 16V	2	
C4025	EEVHB0J470R	E 47UF, 6.3V	1	
C4026	ECJ1XB1C104K	C 0.1UF, Z, 16V	1	
C4027	EEH1E330P	C 33PF, J, 25V	1	
C4028,29	ECJ3XB0J106M	C 10UF, M,6.3V	2	
C4030	EEH1E100R	C 10PF, J, 16V	1	
C4031-33	ECJ1XB1C104K	C 0.1UF, Z, 16V	3	
C4035	ECJ1VB1H103K	C 0.001UF, K, 50V	1	
C4036	EEVHB0J470R	E 47UF, 6.3V	1	
C4037	ECJ1VB1H103K	C 0.001UF, K, 50V	1	
C4038,39	ECJ1XB1C104K	C 0.1UF, Z, 16V	2	
C4043-45	ECJ1XB1C104K	C 0.1UF, Z, 16V	3	
C4047	ECJ1XC1H101J	C 100PF, J, 50V	1	
C4048	ECJ1XB1C104K	C 0.1UF, Z, 16V	1	
C4049	ECJ1VB1H103K	C 0.001UF, K, 50V	1	
C4050	ECJ1XB1C104K	C 0.1UF, Z, 16V	1	
C4051	ECJ1XC1H102J	C 1000PF, J, 50V	1	
C4052	ECJ1XB0J105K	C 1UF, K, 16V	1	
C4053,54	ECJ1XB1C104K	C 0.1UF, Z, 16V	2	
C4055	ECJ1VB1C823K	C 0.082UF, K, 16V	1	
C4056	ECJ1VB1H103K	C 0.001UF, K, 50V	1	
C4057,58	ECJ2VB1C104K	C 0.1UF, K, 16V	2	
C4059	EEVHB0J470R	E 47UF, 6.3V	1	
C4060	ECJ1XB1C104K	C 0.1UF, Z, 16V	1	
C4061	EEVHB0J470R	E 47UF, 6.3V	1	
C4062	ECJ1XB1C104K	C 0.1UF, Z, 16V	1	
C4063-65	ECJ2VB1C104K	C 0.1UF, K, 16V	3	
C4066	ECJ1XB0J105K	C 1UF, K, 16V	1	
C4070	ECJ1XB1C104K	C 0.1UF, Z, 16V	1	
C4072	ECJ2YB0J225K	C 2.2UF, K, 6.3V	1	
C4100-02	ECJ3XB0J106M	C 10UF, M,6.3V	3	
C4103	ECJ1VB1H103K	C 0.001UF, K, 50V	1	
C4104	ECJ1VB1C105K	C 0.01UF, K, 16V	1	
C4105	ECJ1VB1H103K	C 0.001UF, K, 50V	1	
C4106	ECJ1VB1C105K	C 0.01UF, K, 16V	1	
C4107	ECJ1VB1H103K	C 0.001UF, K, 50V	1	
C4108	ECJ1VB1C105K	C 0.01UF, K, 16V	1	
C4115-17	ECJ3XB0J106M	C 10UF, M,6.3V	3	
C4118-20	ECJ1XC1H390J	C 39PF, J, 50V	3	
C4121,22	ECJ1XB1C104K	C 0.1UF, Z, 16V	2	
C4124	EEH1A101P	C 100PF, J, 10V	1	
C4126	EEVHB0J470R	E 47UF, 6.3V	1	
C4127	ECJ1XB1C104K	C 0.1UF, Z, 16V	1	
C4128-31	ECJ1VB1H103K	C 0.001UF, K, 50V	4	
C4132	EEH1E0G101R	C 100PF, J, 4V	1	
C4133	ECJ1XB1C104K	C 0.1UF, Z, 16V	1	

Ref. No.	Part No.	Part Name & Description	Pcs	Remarks
C4135	ECJ1XB0J105K	C 1UF, K, 16V	1	
C4136	ECJ1XB1C104K	C 0.1UF, Z, 16V	1	
C4151	ECJ3YB0J335K	C 33UF, J, 25V	1	
C4152	ECJ1VB1H103K	C 0.001UF, K, 50V	1	
C4153-56	ECJ1VB1C105K	C 0.01UF, K, 16V	4	
C4158-66	ECJ1XC1H102J	C 1000PF, J, 50V	9	
C4167	ECJ1XB1C104K	C 0.1UF, Z, 16V	1	
C4168	ECJ1XC1H102J	C 1000PF, J, 50V	1	
C4170-72	ECJ1VB1H103K	C 0.001UF, K, 50V	3	
C4176	ECJ1XB1C104K	C 0.1UF, Z, 16V	1	
C4177,78	ECJ1VB1C105K	C 0.01UF, K, 16V	2	
C4179	ECJ1XB1C104K	C 0.1UF, Z, 16V	1	
C4180	ECJ1VB1H103K	C 0.001UF, K, 50V	1	
C4181	ECJ3XB0J106M	C 10UF, M,6.3V	1	
C4182	ECJ1XB1C104K	C 0.1UF, Z, 16V	1	
C4233	ECJ1XC1H101J	C 100PF, J, 50V	1	
C4234	ECJ1XB1C104K	C 0.1UF, Z, 16V	1	
C4235	ECJ1XF1C104Z	C 0.1UF, Z, 16V	1	
C4301,02	ECJ1XB1C104K	C 0.1UF, Z, 16V	2	
C4303	EEH1E330P	C 33PF, J, 25V	1	
C4306	ECJ1XC1H050C	C 5PF, C, 50V	1	
C4308,09	ECJ1XC1H220J	C 22PF, J, 50V	2	
C4310-13	ECJ1XB0J105K	C 1UF, K, 16V	4	
C4314	ECJ3XB0J106M	C 10UF, M,6.3V	1	
C4315-17	ECJ1VF1A105Z	C 1UF, Z, 10V	3	
C4318	EEH1E330P	C 33PF, J, 25V	1	
C4341	ECJ1VB1H103K	C 0.001UF, K, 50V	1	
C4342	ECJ1XB1C104K	C 0.1UF, Z, 16V	1	
C4343	EEVHB0J470R	E 47UF, 6.3V	1	
C4345	ECJ1XB1C104K	C 0.1UF, Z, 16V	1	
C4346	ECJ1XB0J105K	C 1UF, K, 16V	1	
C4348	ECJ1VB1H103K	C 0.001UF, K, 50V	1	
C4350	ECJ1XB0J105K	C 1UF, K, 16V	1	
C4351,52	ECJ1XB1C104K	C 0.1UF, Z, 16V	2	
C4353	ECJ1XB0J105K	C 1UF, K, 16V	1	
C4354	EEVHB0G221P	E 220UF, 4V	1	
C4355,56	ECJ1XB1C104K	C 0.1UF, Z, 16V	2	
C4358	ECJ1XC1H680J	C 68PF, J, 50V	1	
C4359-70	ECJ1XB1C104K	C 0.1UF, Z, 16V	12	
C4371	ECJ1XB0J105K	C 1UF, K, 16V	1	
C4372-74	ECJ1XB1C104K	C 0.1UF, Z, 16V	3	
C4375	ECJ1XB0J105K	C 1UF, K, 16V	1	
C4378	ECJ1VB0J225K	C 2.2UF, K, 6.3V	1	
C4379	ECJ1XC1H180J	C 18PF, J, 50V	1	
C4380	ECJ1XB1C104K	C 0.1UF, Z, 16V	1	
C4381	ECJ1XC1H180J	C 18PF, J, 50V	1	
C4382	ECJ1VB0J225K	C 2.2UF, K, 6.3V	1	
C4383	ECJ1VB1H562K	C 5600PF, K, 50V	1	
C4384-88	ECJ1XB1C104K	C 0.1UF, Z, 16V	5	
C4390,91	ECJ1XB1C104K	C 0.1UF, Z, 16V	2	
C4392,93	ECJ1VB0J225K	C 2.2UF, K, 6.3V	2	
C4501	EEVHB0J470R	E 47UF, 6.3V	1	
C4502,03	ECJ1XB1C104K	C 0.1UF, Z, 16V	2	
C4504	ECJ1VB1C105K	C 0.01UF, K, 16V	1	
C4505	ECJ1XB1C104K	C 0.1UF, Z, 16V	1	
C4506	ECJ1VB1C105K	C 0.01UF, K, 16V	1	
C4507	ECJ1XB1C104K	C 0.1UF, Z, 16V	1	
C4508	ECJ1VB1C105K	C 0.01UF, K, 16V	1	
C4509	ECJ1XB1C104K	C 0.1UF, Z, 16V	1	
C4510	ECJ1VB1C105K	C 0.01UF, K, 16V	1	

Ref. No.	Part No.	Part Name & Description	Pcs	Remarks
C4511	ECJ1XB1C104K	C 0.1UF, Z, 16V	1	
C4512	ECJ1VB1C105K	C 0.01UF, K, 16V	1	
C4513	ECJ1XB1C104K	C 0.1UF, Z, 16V	1	
C4514	EEVHB0J470R	E 47UF, 6.3V	1	
C4515	ECJ1XB1C104K	C 0.1UF, Z, 16V	1	
C4516-18	ECJ1VB1C105K	C 0.01UF, K, 16V	3	
C4519	ECJ1XB1C104K	C 0.1UF, Z, 16V	1	
C4521	ECJ1XB0J105K	C 1UF, K, 16V	1	
C4522-24	ECJ1XB1C104K	C 0.1UF, Z, 16V	3	
C4525	ECJ1XB0J105K	C 1UF, K, 16V	1	
C4526	ECJ1VB1H103K	C 0.001UF, K, 50V	1	
C4527,28	ECJ1XB0J105K	C 1UF, K, 16V	2	
C4529	ECJ1VB1C105K	C 0.01UF, K, 16V	1	
C4530-34	ECJ1XB1C104K	C 0.1UF, Z, 16V	5	
C4535	ECJ1VB1H103K	C 0.001UF, K, 50V	1	
C4536	ECJ1XB0J105K	C 1UF, K, 16V	1	
C4537	EEVHB0J470R	E 47UF, 6.3V	1	
C4538-51	ECJ1XB1C104K	C 0.1UF, Z, 16V	14	
C4552,53	ECJ1VB1C105K	C 0.01UF, K, 16V	2	
C4554-56	ECJ1XB1C104K	C 0.1UF, Z, 16V	3	
C4560,61	ECJ1VB1H103K	C 0.001UF, K, 50V	2	
C4562	ECJ1XB0J105K	C 1UF, K, 16V	1	
C4565-68	ECJ1XC1H102J	C 1000PF, J, 50V	4	
C4570-74	ECJ1XC1H102J	C 1000PF, J, 50V	5	
C4575	ECJ1XB0J105K	C 1UF, K, 16V	1	
C4576-81	ECJ1XC1H102J	C 1000PF, J, 50V	6	
C4582	ECJ1VB1C105K	C 0.01UF, K, 16V	1	
C4583-95	ECJ1XC1H102J	C 1000PF, J, 50V	13	
C4596	ECJ1VB1H103K	C 0.001UF, K, 50V	1	
C4597	ECJ1XB0J105K	C 1UF, K, 16V	1	
C4598	ECJ1VB1H103K	C 0.001UF, K, 50V	1	
C4599,00	ECJ1XB0J105K	C 1UF, K, 16V	2	
C4601	EEEB0J330R	C 33PF, J, 6.3V	1	
C4602	ECJ1XB1C104K	C 0.1UF, Z, 16V	1	
C4605	ECJ1VB1H103K	C 0.001UF, K, 50V	1	
C4607-10	ECJ1VB1H103K	C 0.001UF, K, 50V	4	
C4611	ECJ3XB0J106M	C 10UF, M,6.3V	1	
C4612	ECJ1XB1C104K	C 0.1UF, Z, 16V	1	
C4613	ECJ1VB1H103K	C 0.001UF, K, 50V	1	
C4701	ECJ1XB1C104K	C 0.1UF, Z, 16V	1	
C4702	EEFCD0G560R	56UF,	1	
C4703	EEEB0J220R	C 22PF, J, 6.3V	1	
C4704	ECJ1XB1C104K	C 0.1UF, Z, 16V	1	
C4709	EEVHB0J470R	E 47UF, 6.3V	1	
C4710,11	ECJ1XB1C104K	C 0.1UF, Z, 16V	2	
C4712	ECJ1VB1C103K	C 0.010UF, K, 16V	1	
C4713	ECJ1XB1C104K	C 0.1UF, Z, 16V	1	
C4714	ECJ1VB1C103K	C 0.010UF, K, 16V	1	
C4715	ECJ1XB1C104K	C 0.1UF, Z, 16V	1	
C4716	ECJ1VB1C103K	C 0.010UF, K, 16V	1	
C4717	ECJ1XB1C104K	C 0.1UF, Z, 16V	1	
C4718	ECJ1VB1C103K	C 0.010UF, K, 16V	1	
C4719-22	ECJ1XB1C104K	C 0.1UF, Z, 16V	4	
C4723	ECJ1VB1C103K	C 0.010UF, K, 16V	1	
C4724	ECJ1XB1C104K	C 0.1UF, Z, 16V	1	
C4725	ECJ1VB1C103K	C 0.010UF, K, 16V	1	
C4726	ECJ1XB1C104K	C 0.1UF, Z, 16V	1	
C4727	ECJ1VB1C103K	C 0.010UF, K, 16V	1	
C4728	ECJ1XB1C104K	C 0.1UF, Z, 16V	1	
C4729	ECJ1VB1C103K	C 0.010UF, K, 16V	1	

Ref. No.	Part No.	Part Name & Description	Pcs	Remarks
C4730	ECJ1XB1C104K	C 0.1UF, Z, 16V	1	
C4731	ECJ1VB1C103K	C 0.010UF, K, 16V	1	
C4732	ECJ1XB1C104K	C 0.1UF, Z, 16V	1	
C4733	ECJ1VB1C103K	C 0.010UF, K, 16V	1	
C4734	ECJ1XB1C104K	C 0.1UF, Z, 16V	1	
C4735	ECJ1VB1C103K	C 0.010UF, K, 16V	1	
C4736	ECJ1XB1C104K	C 0.1UF, Z, 16V	1	
C4737	ECJ1VB1C103K	C 0.010UF, K, 16V	1	
C4855,56	ECJ1XB1C104K	C 0.1UF, Z, 16V	2	
C4858	EEVHB0G221P	E 220UF, 4V	1	
C4859	ECJ1XC1H150J	C 15PF, J, 50V	1	
C4861	ECJ1XC1H150J	C 15PF, J, 50V	1	
C4863	ECJ1XB1C104K	C 0.1UF, Z, 16V	1	
C4864	ECJ3XB0J106M	C 10UF, M,6.3V	1	
C4867,68	ECJ1XC1H101J	C 100PF, J, 50V	2	
C4873	EEVHB0J470R	E 47UF, 6.3V	1	
C4874	ECJ1XB1C104K	C 0.1UF, Z, 16V	1	
C4875,76	ECJ2VB1C104K	C 0.1UF, K, 16V	2	
C4877	ECJ2XB1A105K	C 1UF, K, 10V	1	
C4878,79	ECJ2VB1C104K	C 0.1UF, K, 16V	2	
C4880	ECJ2XB1A105K	C 1UF, K, 10V	1	
C4882	ECJ1VB1H103K	C 0.001UF, K, 50V	1	
C4883	ECJ1XB0J105K	C 1UF, K, 16V	1	
C4892	EEVHB0J470R	E 47UF, 6.3V	1	
C4893	ECJ1XB1C104K	C 0.1UF, Z, 16V	1	
C4898	ECJ1VB1H103K	C 0.001UF, K, 50V	1	
C4899	ECJ1XB0J105K	C 1UF, K, 16V	1	
C4901	EEEB1C100R	C 10PF, J, 16V	1	
C4902	ECJ1VB1H103K	C 0.001UF, K, 50V	1	
C4922	EEVHB0J470R	E 47UF, 6.3V	1	
C4924	ECJ1XF1C104Z	C 0.1UF, Z, 16V	1	
C4925	EEEB1C470P	C 47PF, J, 16V	1	
C4926	ECJ1XF1C104Z	C 0.1UF, Z, 16V	1	
C4929	EEEB1C100R	C 10PF, J, 16V	1	
C4939	EEVHB0G221P	E 220UF, 4V	1	
C4942	ECJ1XB1C104K	C 0.1UF, Z, 16V	1	
C4943	EEEB1C470P	C 47PF, J, 16V	1	
C4945-48	ECJ1XC1H102J	C 1000PF, J, 50V	4	
C4952	ECJ1XC1H101J	C 100PF, J, 50V	1	
C5601	ECA1HM220	E 22UF, 50V	1	
C5604	ECA1HHG100	E 10UF, 50V	1	
C5605	EEUF1C1E102	E 1000UF, 25V	1	
C5606	EEUF1C821	E 820UF, 16V	1	
C5608	ECJ2XB1H103K	C 0.01UF, K, 50V	1	
C5609	ECA1HM220	E 22UF, 50V	1	
C5611	EEUF1C1E102	E 1000UF, 25V	1	
C5612	EEUF1C821	E 820UF, 16V	1	
C5613	ECJ2XB1E104K	C 0.1UF, K, 25V	1	
C5616	ECJ2XB1E104K	C 0.1UF, K, 25V	1	
C5617	EEUF1C821	E 820UF, 16V	1	
C5618,19	ECJ2XB1E104K	C 0.1UF, K, 25V	2	
C5622	EEUF1C821	E 820UF, 16V	1	
C5623	ECJ2XB1E104K	C 0.1UF, K, 25V	1	
C5626	ECJ2VF1C104Z	C 0.1UF, Z, 16V	1	
C5631	EEUF1C102	E 1000UF, 16V	1	
C5637	ECJ2VF1C474Z	C 0.47UF, Z, 16V	1	
C5641-44	ECJ2VF1C104Z	C 0.1UF, Z, 16V	4	
C5670	ECJ2XB1E104K	C 0.1UF, K, 25V	1	
C5672	ECA1HM220	E 22UF, 50V	1	
C5673	ECJ2XB1H103K	C 0.01UF, K, 50V	1	
C5685	ECA1HHG100	E 10UF, 50V	1	
C5686	ECJ2XB1H103K	C 0.01UF, K, 50V	1	
C5813	ECJ2XB1E104K	C 0.1UF, K, 25V	1	
C5818	ECA1CM471	E 470UF, 16V	1	
C5820	ECA1CM102	E 1000UF, 16V	1	
C5821	ECJ2XB1E104K	C 0.1UF, K, 25V	1	
C6001-03	F2A2D221A022	E 220UF, 200V	3	



Ref. No.	Part No.	Part Name & Description	Pcs	Remarks
C6005	F1L1E4750004	C 4.7UF, 25V	1	
C6007,08	ECA2CM101	E 100UF, 160V	2	
C6009	ECJ2XB1H103K	C 0.01UF, K, 50V	1	
C6011	F1L2J392A022	C 3900UF, K,6.3V	1	
C6012	F1L2J562A022	C 5600UF, K,6.3V	1	
C6016	F1L2J392A022	C 3900UF, K,6.3V	1	
C6017	F1L2J562A022	C 5600UF, K,6.3V	1	
C6021-30	ECQE2105RKB	P 1UF, 250V	10	
C6031,32	F1L1E4750004	C 4.7UF, 25V	2	
C6034,35	F1L1E4750004	C 4.7UF, 25V	2	
C6037	ECQE2224KF	P 2.2UF, K,250V	1	
C6043,44	F1L1E4750004	C 4.7UF, 25V	2	
C6046	F1L1E4750004	C 4.7UF, 25V	1	
C6047	F2A2D1510004	E 150UF, 200V	1	
C6048	EEUFC1E221	E 220UF, 25V	1	
C6049	F1L1E4750004	C 4.7UF, 25V	1	
C6050,51	TCUY1C105ZFN	C 1UF, 16V	2	
C6053,54	EEUFC1E221	E 220UF, 25V	2	
C6055	ECJ3YB1E105K	C 1UF, K, 25V	1	
C6056	EEUFC1A101	E 100UF, 10V	1	
C6057	F1L1E4750004	C 4.7UF, 25V	1	
C6058	ECJ3YB1E105K	C 1UF, K, 25V	1	
C6060,61	F1K2J471A014	C 470UF, K,6.3V	2	
C6456	ECA2CM101	E 100UF, 160V	1	
C6457	ECA2CHG100	E 10UF, 160V	1	
C6458	F1L1E4750004	C 4.7UF, 25V	1	
C6459	EEUFC1E470	E 47UF, 25V	1	
C6461	ECA1HM101	E 100UF, 50V	1	
C6462-65	F1L1E4750004	C 4.7UF, 25V	4	
C6466	ECJ2XB1H103K	C 0.01UF, K, 50V	1	
C6467	ECJ2XB1H472K	C 4700PF, K, 50V	1	
C6468	TCUY1C105ZFN	C 1UF, 16V	1	
C6469	EEUFC1E221	E 220UF, 25V	1	
C6470	ECA1HM221	E 220UF, 50V	1	
C6471	TCUY1C105ZFN	C 1UF, 16V	1	
C6472	ECJ2VB1H333K	C 0.033UF, K, 50V	1	
C6473	TCUY1C105ZFN	C 1UF, 16V	1	
C6474	ECJ2XB1H103K	C 0.01UF, K, 50V	1	
C6475	EEUFC1E221	E 220UF, 25V	1	
C6476	ECA2CM101	E 100UF, 160V	1	
C6478	ECJ2XB1H103K	C 0.01UF, K, 50V	1	
C6479,80	ECJ2XB1H104K	C 0.1UF, K, 50V	2	
C6490	F1K2J332A014	C 3300UF, K,6.3V	1	
C6491,92	F2A2G100A017	E 100UF, 400V	2	
C6493	ECJ3XB2J222K	C 2200PF, K,630V	1	
C6501-03	ECJ2XB1H104K	C 0.1UF, K, 50V	3	
C6505	ECJ2XB1H104K	C 0.1UF, K, 50V	1	
C6507	ECJ2XB1H104K	C 0.1UF, K, 50V	1	
C6509	ECJ2XC1H102J	C 1000PF, J, 50V	1	
C6511,12	F1L1E4750004	C 4.7UF, 25V	2	
C6513	ECA2CM101	E 100UF, 160V	1	
C6521	F1L1E4750004	C 4.7UF, 25V	1	
C6523	ECA1VM470	E 47UF, 35V	1	
C6524	F1K2J471A014	C 470UF, K,6.3V	1	
C6526	ECA2EHG220	E 22UF, 250V	1	
C6529,30	F1K2J471A014	C 470UF, K,6.3V	2	
C6531,32	F1L1E4750004	C 4.7UF, 25V	2	
C6533,34	F1K2J471A014	C 470UF, K,6.3V	2	
C6541	F1L1E4750004	C 4.7UF, 25V	1	

Ref. No.	Part No.	Part Name & Description	Pcs	Remarks
C6543,44	F1K2J102A014	C 1000PF,	2	
C6546	TCUY1C105ZFN	C 1UF, 16V	1	
C6550	ECA2CM101	E 100UF, 160V	1	
C6551	ECQE2224KF	P 2.2UF, K,250V	1	
C6571	ECJ2XB1H104K	C 0.1UF, K, 50V	1	
C6575	ECJ2XB1H104K	C 0.1UF, K, 50V	1	
C6577	ECJ2XB1H104K	C 0.1UF, K, 50V	1	
C6580,81	TCUY1C105ZFN	C 1UF, 16V	2	
C6584	ECJ3YB1E105K	C 1UF, K, 25V	1	
C6585	TCUY1C105ZFN	C 1UF, 16V	1	
C6587	ECJ3YB1E105K	C 1UF, K, 25V	1	
C6588	TCUY1C105ZFN	C 1UF, 16V	1	
C6589	F1L1E4750004	C 4.7UF, 25V	1	
C6590	TCUY1C105ZFN	C 1UF, 16V	1	
C6591	F1L1E4750004	C 4.7UF, 25V	1	
C6598	ECA1CM220	E 22UF, 16V	1	
C6601-03	F2A2D221A022	E 220UF, 200V	3	
C6607	ECJ3YB1E105K	C 1UF, K, 25V	1	
C6608	ECA1EM471	E 470UF, 25V	1	
C6611	F1L2J392A022	C 3900UF, K,6.3V	1	
C6612	F1L2J562A022	C 5600UF, K,6.3V	1	
C6615	F1L2J562A022	C 5600UF, K,6.3V	1	
C6616	F1L2J392A022	C 3900UF, K,6.3V	1	
C6617	F1L2J562A022	C 5600UF, K,6.3V	1	
C6621-30	ECQE2105RKB	P 1UF, 250V	10	
C6631,32	F1L1E4750004	C 4.7UF, 25V	2	
C6634,35	F1L1E4750004	C 4.7UF, 25V	2	
C6637	F1L1E4750004	C 4.7UF, 25V	1	
C6639	F1L1E4750004	C 4.7UF, 25V	1	
C6647	TCUY1C105ZFN	C 1UF, 16V	1	
C6650	ECQE2224KF	P 2.2UF, K,250V	1	
C6651,52	ECJ2XB1H103K	C 0.01UF, K, 50V	2	
C6655,56	EEUFC1A101	E 100UF, 10V	2	
C6659,60	F1K2J471A014	C 470UF, K,6.3V	2	
C6901-04	TCUY1C105ZFN	C 1UF, 16V	4	
C6911,12	ECJ2XB1H102K	C 1000PF, K, 50V	2	
C6917	ECJ2XB1H221K	C 220PF, K, 50V	1	
C6931	F1L2E1040002	E 1000UF, 25V	1	
C6933	F1L2E1040002	E 1000UF, 25V	1	
C6955-58	TCUY1C105ZFN	C 1UF, 16V	4	
C6971,72	ECJ2XB1H102K	C 1000PF, K, 50V	2	
C6977	F1L2E1040002	E 1000UF, 25V	1	
C6979	F1L2E1040002	E 1000UF, 25V	1	
C7101	ECJ1XB1C104K	C 0.1UF, Z, 16V	1	
C7104-06	TCUY1C105ZFN	C 1UF, 16V	3	
C7108-10	TCUY1C105ZFN	C 1UF, 16V	3	
C7135	ECJ1XB1C104K	C 0.1UF, Z, 16V	1	
C7137	ECJ1XB1C104K	C 0.1UF, Z, 16V	1	
C7140	ECJ1XB1C104K	C 0.1UF, Z, 16V	1	
C7153	ECJ1XC1H101J	C 100PF, J, 50V	1	
C7161	ECJ3XB2A474K	C 0.47UF, 6.3V	1	
C7163	ECJ3XB2A474K	C 0.47UF, 6.3V	1	
C7165	ECJ3XB2A474K	C 0.47UF, 6.3V	1	
C7182	ECJ1XC1H101J	C 100PF, J, 50V	1	
C7186	ECJ1XC1H101J	C 100PF, J, 50V	1	
C7201	ECJ1XB1C104K	C 0.1UF, Z, 16V	1	
C7203-06	TCUY1C105ZFN	C 1UF, 16V	4	
C7208,09	TCUY1C105ZFN	C 1UF, 16V	2	

Ref. No.	Part No.	Part Name & Description	Pcs	Remarks
C7210,1	ECJ1XC1H220J	C 22PF, J, 50V	2	
C7219	TCUY1C105ZFN	C 1UF, 16V	1	
C7222,2	TCUY1C105ZFN	C 1UF, 16V	2	
C7235	ECJ1XB1C104K	C 0.1UF, Z, 16V	1	
C7237	ECJ1XB1C104K	C 0.1UF, Z, 16V	1	
C7239	ECJ1XB1C104K	C 0.1UF, Z, 16V	1	
C7242	TCUY1C105ZFN	C 1UF, 16V	1	
C7253,5	ECJ1XC1H101J	C 100PF, J, 50V	2	
C7266	ECJ3XB2A474K	C 0.47UF, 6.3V	1	
C7268	ECJ3XB2A474K	C 0.47UF, 6.3V	1	
C7270	ECJ3XB2A474K	C 0.47UF, 6.3V	1	
C7272	ECJ3XB2A474K	C 0.47UF, 6.3V	1	
C7282,8	ECJ1XC1H101J	C 100PF, J, 50V	2	
C9000	EEEB1C470P	C 47PF, J, 16V	1	
C9001	ECJ1XF1C104Z	C 0.1UF, Z, 16V	1	
C9004,0	ECJ1XF1C104Z	C 0.1UF, Z, 16V	2	
C9006	FLJ0J1060004	C 0.010UF, K, 16V	1	
C9007	EEEB1C470P	C 47PF, J, 16V	1	
C9008	ECJ1XF1C104Z	C 0.1UF, Z, 16V	1	
C9009	FLJ0J1060004	C 0.010UF, K, 16V	1	
C9010-12	ECJ1XF1C104Z	C 0.1UF, Z, 16V	3	
C9013	ECJ1VF1H103Z	C 0.010UF, Z, 50V	1	
C9014	ECJ1XC1H101K	C 100PF, K, 50V	1	
C9015-22	ECJ1XF1C104Z	C 0.1UF, Z, 16V	8	
C9023	EEEB1C470P	C 47PF, J, 16V	1	
C9024	ECJ1XC1H271J	C 270PF, J, 50V	1	
C9025	ECJ1XF1C104Z	C 0.1UF, Z, 16V	1	
C9026,2	ECJ2VF1C105Z	C 1UF, Z, 16V	2	
C9028-31	ECJ1XF1C104Z	C 0.1UF, Z, 16V	4	
C9033	ECJ1XF1C104Z	C 0.1UF, Z, 16V	1	
C9035,3	ECJ1XF1C104Z	C 0.1UF, Z, 16V	2	
C9201,0	ECJ1XB1C104K	C 0.1UF, Z, 16V	2	
C9203	ECJ1XC1H150J	C 15PF, J, 50V	1	
C9204	ECJ1VC1H080C	C 8PF, C, 50V	1	
C9205	FLJ0J1060004	C 0.010UF, K, 16V	1	
C9206,0	ECJ1XB1C104K	C 0.1UF, Z, 16V	2	
C9303	ECJ1XF1C104Z	C 0.1UF, Z, 16V	1	
C9304-57	ECJ1XB1C104K	C 0.1UF, Z, 16V	54	
C9358	EEEB0G221P	C 220PF, J, 4V	1	
C9359	ECJ1XB1C104K	C 0.1UF, Z, 16V	1	
C9360	ECJ1XF1C104Z	C 0.1UF, Z, 16V	1	
C9500	ECJ2VF1C105Z	C 1UF, Z, 16V	1	
C9502	ECJ2VF1C105Z	C 1UF, Z, 16V	1	
C9503-12	ECJ1XB1C104K	C 0.1UF, Z, 16V	10	
C9513	EEEB1C470P	C 47PF, J, 16V	1	
C9514-17	ECJ1XB1C104K	C 0.1UF, Z, 16V	4	
C9518	EEEB1C470P	C 47PF, J, 16V	1	
C9519	ECJ1XC1H101K	C 100PF, K, 50V	1	
C9701,0	ECJ1XF1C104Z	C 0.1UF, Z, 16V	2	
C9703	FLJ0J1060004	C 0.010UF, K, 16V	1	
C9705,0	FLJ0J1060004	C 0.010UF, K, 16V	2	
C9707	EEEB1C470P	C 47PF, J, 16V	1	
C9712,1	FLJ0J1060004	C 0.010UF, K, 16V	2	
C9714,1	ECGRL0G680R	C 68PF, J, 4V	2	
C9716	ECJ1XC1H220J	C 22PF, J, 50V	1	
C9718	ECJ1XC1H220J	C 22PF, J, 50V	1	
C9719,2	ECJ1XC1H102J	C 1000PF, J, 50V	2	

Ref. No.	Part No.	Part Name & Description	Pcs	Remarks
C9721,2	ECJ1XF1C104Z	C 0.1UF, Z, 16V	2	
C9723,2	ECJ2XB1H104K	C 0.1UF, K, 50V	2	
C9725	ECJ1XC1H102J	C 1000PF, J, 50V	1	
C9727	ECJ1XC1H102J	C 1000PF, J, 50V	1	
C9728,2	ECJ3XF1C475Z	C 4.7UF, Z, 16V	2	
C9730,3	EEEB1C470P	C 47PF, J, 16V	2	
C9732	ECJ1VF1H103Z	C 0.010UF, Z, 50V	1	
C9733	ECJ1XF1C104Z	C 0.1UF, Z, 16V	1	
C9734,3	EEEB1C470P	C 47PF, J, 16V	2	
C9736	ECJ1XF1C104Z	C 0.1UF, Z, 16V	1	
C9739,4	ECJ1XB1C104K	C 0.1UF, Z, 16V	2	
C9741	ECJ3XF1C475Z	C 4.7UF, Z, 16V	1	
C9742	ECJ1XF1C104Z	C 0.1UF, Z, 16V	1	
C9743,4	ECJ3XF1C475Z	C 4.7UF, Z, 16V	2	
C9900,0	ECJ1VF1H103Z	C 0.010UF, Z, 50V	2	
CB1-B7	K1MN68BA0002	68P CONNECTOR	7	
D3	K1KA30AA0009	30P CONNECTOR	1	
D4	K1KA14A00248	14P CONNECTOR	1	
D5	K1KA31A00007	31P CONNECTOR	1	
D6	K1KA20A00310	20P CONNECTOR	1	
D8	K1KA08AA0104	8P CONNECTOR	1	
D20	K1KA20AA0008	20P CONNECTOR	1	
D25	K1KA20AA0009	20P CONNECTOR	1	
D33,34	K1MN55BA0076	55P CONNECTOR	2	
D1151	MA8120M	ZENER DIODE	1	
D1154-61	MA8062MTX	ZENER DIODE	8	
D2011-14	MA111	DIODE	4	
D2104	MA152K	DIODE	1	
D2107-09	MA8140M	ZENER DIODE	3	
D2111	MA8140M	ZENER DIODE	1	
D2116	MA8140M	ZENER DIODE	1	
D2118	MA8140M	ZENER DIODE	1	
D2119	BOBC01100001	ZENER DIODE	1	
D2120	MA152K	DIODE	1	
D2300,0	MA111	DIODE	2	
D2303,0	MA111	DIODE	2	
D2315,1	B0JCDD000002	DIODE	2	
D2319,2	B0JCDD000002	DIODE	2	
D2332	MA111	DIODE	1	
D2512	MA8056M	ZENER DIODE	1	
D2513,1	MA152K	DIODE	2	
D2520	B3AAA0000770	LED	1	
D2523	MA152K	DIODE	1	
D2524	MA8056M	ZENER DIODE	1	
D2529	MA8056-M	ZENER DIODE	1	
D3003	MA8140M	ZENER DIODE	1	
D3005,0	MA8140M	ZENER DIODE	2	
D3017	MA8140M	ZENER DIODE	1	
D3021	MA152	DIODE	1	
D3023	MA111	DIODE	1	
D3024	BOBC01100001	ZENER DIODE	1	
D3026	MA111	DIODE	1	
D3034-44	MA8140M	ZENER DIODE	11	
D3100	MA8140M	ZENER DIODE	1	
D3237,3	MA152K	DIODE	2	
D4231	MA111	DIODE	1	

Ref. No.	Part No.	Part Name & Description	Pcs	Remarks
D5610	MA3X78900L	ZENER DIODE	1	
D5614	B0BC6R600005	ZENER DIODE	1	
D5615	B0BC4R700007	ZENER DIODE	1	
D5616	B0BC6R600005	ZENER DIODE	1	
D5617	B0BC01100001	ZENER DIODE	1	
D5618	B0BC03900015	ZENER DIODE	1	
D5637,3 8	MA152	DIODE	2	
D5639	MA3047H	ZENER DIODE	1	
D5640	MA3068H	ZENER DIODE	1	
D5641	MA152	DIODE	1	
D5642	MA3100H	ZENER DIODE	1	
D5643	MA152	DIODE	1	
D5644	MA3068M	ZENER DIODE	1	
D5645- 47	MA152	DIODE	3	
D6001,0 2	B0HBSN000008	DIODE	2	
D6015	B0ECHP000003	DIODE	1	
D6020	B0HBSN000008	DIODE	1	
D6021	B0ECHP000003	DIODE	1	
D6022	B0HBSN000008	DIODE	1	
D6023	B0ECHP000003	DIODE	1	
D6024	B0HBSN000008	DIODE	1	
D6029	B0HBSN000008	DIODE	1	
D6035	MA8033L	ZENER DIODE	1	
D6036	MA111	DIODE	1	
D6040,4 1	B0ECHP000003	DIODE	2	
D6051	B0ECHP000003	DIODE	1	
D6052,5 3	B0JCME000037	DIODE	2	
D6054	B0ECHP000003	DIODE	1	
D6055	B0JCME000037	DIODE	1	
D6057	B0ECHP000003	DIODE	1	
D6058,5 9	MA111	DIODE	2	
D6062	MA111	DIODE	1	
D6063	MA8051L	ZENER DIODE	1	
D6064	MA111	DIODE	1	
D6065	LNJ301MPUJA	LED	1	
D6066,6 7	MA8330M	ZENER DIODE	2	
D6451	B0JCME000037	DIODE	1	
D6452,5 3	MA111	DIODE	2	
D6455	MA111	DIODE	1	
D6456	B0ECHP000003	DIODE	1	
D6459	MA111	DIODE	1	
D6460,6 1	B0HCKS000002	DIODE	2	
D6462	B0JCME000037	DIODE	1	
D6463	MA8056H	ZENER DIODE	1	
D6464	B0JCME000037	DIODE	1	
D6465,6 6	MA8330M	ZENER DIODE	2	
D6467	B0ECHP000003	DIODE	1	
D6468	MA111	DIODE	1	
D6470,7 1	MA111	DIODE	2	
D6473	MA111	DIODE	1	
D6475	MA111	DIODE	1	
D6476	B0ECHP000003	DIODE	1	
D6477	MA111	DIODE	1	
D6478	B0HCKS000002	DIODE	1	
D6479	MA111	DIODE	1	
D6481,8 2	MA8330M	ZENER DIODE	2	
D6483- 90	MA8056H	ZENER DIODE	8	
D6491,9 2	B0ECHP000003	DIODE	2	
D6495	B0HCKS000002	DIODE	1	
D6496	B0JCME000037	DIODE	1	
D6501,0 2	MA111	DIODE	2	

Ref. No.	Part No.	Part Name & Description	Pcs	Remarks
D6503	MA8056H	ZENER DIODE	1	
D6509	MA111	DIODE	1	
D6511	B0HCMM000014	DIODE	1	
D6512- 14	MA111	DIODE	3	
D6515	MA8240M	ZENER DIODE	1	
D6516	MA111	DIODE	1	
D6519	MA111	DIODE	1	
D6520	B0JCKG000002	DIODE	1	
D6521	B0ECHP000003	DIODE	1	
D6522	MA111	DIODE	1	
D6523	B0ECHP000003	DIODE	1	
D6524	MA8051L	ZENER DIODE	1	
D6525	MA111	DIODE	1	
D6526	B0HCMM000014	DIODE	1	
D6527	MA111	DIODE	1	
D6529	B0JCME000037	DIODE	1	
D6541	B0HCKS000002	DIODE	1	
D6542	MA111	DIODE	1	
D6543	B0HCKS000002	DIODE	1	
D6544	MA111	DIODE	1	
D6545	MA8051L	ZENER DIODE	1	
D6546- 48	MA8330M	ZENER DIODE	3	
D6549,5 0	MA111	DIODE	2	
D6551	B0JCME000037	DIODE	1	
D6552,5 3	MA111	DIODE	2	
D6554	B0HCKS000002	DIODE	1	
D6570	B0HCMM000014	DIODE	1	
D6572	B0ECHP000003	DIODE	1	
D6582	MA8051L	ZENER DIODE	1	
D6583	LNJ301MPUJA	LED	1	
D6584	MA111	DIODE	1	
D6585,8 6	MA8330M	ZENER DIODE	2	
D6601,0 2	B0HBSN000008	DIODE	2	
D6615	B0ECHP000003	DIODE	1	
D6620	B0HBSN000008	DIODE	1	
D6621	B0ECHP000003	DIODE	1	
D6622	B0HBSN000008	DIODE	1	
D6623	B0ECHP000003	DIODE	1	
D6624	B0HBSN000008	DIODE	1	
D6629	B0HBSN000008	DIODE	1	
D6635	MA8033L	ZENER DIODE	1	
D6636	MA111	DIODE	1	
D6640	B0ECHP000003	DIODE	1	
D6647	B0ECHP000003	DIODE	1	
D6901- 03	MA8056H	ZENER DIODE	3	
D6905	B0ECHP000003	DIODE	1	
D6909,1 0	B0ECHP000003	DIODE	2	
D6956,5 7	MA8056H	ZENER DIODE	2	
D6961,6 2	B0ECHP000003	DIODE	2	
D9000- 02	MA3033	ZENER DIODE	3	
D9011,1 2	MA728	DIODE	2	
D9015,1 6	MA152K	DIODE	2	
D9700,0 1	MA728	DIODE	2	
D9900,0 1	MA152K	DIODE	2	
DG2	K1MN40A00024	40P CONNECTOR	1	
DG3	K1KA20B00155	20P CONNECTOR	1	
DG5	K1KA21B00008	21P CONNECTOR	1	
DG20	K1MN30A00068	30P CONNECTOR	1	
DG32	K1KA08AA0150	8P CONNECTOR	1	

Ref. No.	Part No.	Part Name & Description	Pcs	Remarks
FL1100	JOHABH000012	LC FILTER	1	
FL4016, 17	JOHABH000012	LC FILTER	2	
FL4020-23	JOHABH000012	LC FILTER	4	
FL7106	JOHABH000013	LC FILTER	1	
FL7201	JOHABH000013	LC FILTER	1	
FL9000-04	JOHABH000013	LC FILTER	5	
FL9300-02	JOHABH000013	LC FILTER	3	
FL9701, 02	JOHABH000012	LC FILTER	2	
FL9703, 04	JOHABH000013	LC FILTER	2	
FL9900, 01	JOHABH000013	LC FILTER	2	
H2	K1MN40B00045	40P CONNECTOR	1	
H5, 6A	K1KA15AA0288	15P CONNECTOR	2	
H12	K1KA09AA0190	9P CONNECTOR	1	
H15	K1KA04AA0150	4P CONNECTOR	1	
H30	K1MN30A00068	30P CONNECTOR	1	
H50	K1MN35A00013	35P CONNECTOR	1	
H53	K1KA12AA0178	12P CONNECTOR	1	
HMM1-M4	TMM25401	CLAMPER	4	
IC1103	C0DBEZG00013	IC	1	
IC1104	C2CBYF000032	IC	1	
IC1106	CXA1875AM	LINEAR IC	1	
IC1107	TVRN610	IC	1	TH-37PA50H
IC1107	TVRN776	IC	1	TH-37PA50M
IC1108	COEBE0000336	IC	1	
IC1109	C0JBBZ000281	IC	1	
IC1110	C0CBCBD00043	IC	1	
IC1114	C3ABPG000133	IC	1	
IC1115	TVRN603-1	IC	1	
IC1117	C0JBAZ002186	IC	1	
IC1235	C0ZBZ0001038	IC	1	
IC2103	AN77L08M	IC	1	
IC2104	COABBB000038	IC	1	
IC2105	AN15861A-VT	IC	1	
IC2106	C1AB00002135	IC	1	
IC2107	C0DBEZE00006	IC	1	
IC2108	COEBF0000354	IC	1	
IC2300	C1BB00000800	IC	1	
IC2302	NJM2904M	LINEAR IC	1	
IC2305, 06	C1BB00000818	IC	2	
IC3005	AN15866A-VT	IC	1	
IC3006	CXA1315M	LINEAR IC	1	
IC4005	C1AB00002298	IC	1	
IC4008	C0CBCBD00008	IC	1	
IC4009	C0CBCAC00282	IC	1	
IC4011	C0CBCAC00282	IC	1	
IC4012	C1AB00001834	IC	1	
IC4013	C1AB00002202	IC	1	
IC4014	C0JBAZ002186	IC	1	
IC4016	COFBB0000195	IC	1	
IC4021	C0JBAP000020	IC	1	
IC4024	C0DBZFG00055	IC	1	
IC4025	C0CBCAC00275	IC	1	
IC4041	C0CBCAC00275	IC	1	
IC4042	C0DBEJG00001	IC	1	
IC4044	C0CBCAC00136	IC	1	
IC4048	C0DBEJG00001	IC	1	
IC4049	C0CBCBF00009	IC	1	
IC4051	C1ZBZ0002790	IC	1	
IC4054	C1AB00002234	IC	1	
IC4055	C3ABQJ000040	IC	1	
IC4063	COEBC0000150	IC	1	
IC5601, 02	NOBF2DE00001	DC-DC CONVERTER	2	
IC5603	C0DBAJB00004	IC	1	

Ref. No.	Part No.	Part Name & Description	Pcs	Remarks
IC5803	C0DAEZH00017	IC	1	
IC6001-03	C0ZBZ0000895	IC	3	
IC6004	C0ZBZ0001033	IC	1	
IC6005	NJM2903M	INTEGRATED CIRCUIT	1	
IC6006	C0JBAZ000005	IC	1	
IC6011	AN1431M	LINEAR IC	1	
IC6451	AN1431M	LINEAR IC	1	
IC6452, 53	C0CBALC00010	IC	2	
IC6454, 55	C0CBADC00075	IC	2	
IC6456	AN1431M	LINEAR IC	1	
IC6471, 72	AN1431M	LINEAR IC	2	
IC6491	AN1431M	LINEAR IC	1	
IC6501, 02	C0JBAZ000994	IC	2	
IC6511	C0ZBZ0001033	IC	1	
IC6512	C0CBADC00075	IC	1	
IC6521	C0ZBZ0001033	IC	1	
IC6541, 42	C0ZBZ0001033	IC	2	
IC6543	C0CBADC00075	IC	1	
IC6581	NJM2903M	INTEGRATED CIRCUIT	1	
IC6601, 02	C0ZBZ0000895	IC	2	
IC6605, 06	C0JBAZ000005	IC	2	
IC6607	C0JBAA000174	IC	1	
IC6901-04	AN16021A-VT	IC	4	
IC6955-58	AN16021A-VT	IC	4	
IC7101	C0JBAZ001120	IC	1	
IC7104-06	C0JBAZ001120	IC	3	
IC7201-04	C0JBAZ001120	IC	4	
IC9001	TVRN460-1	IC	1	
IC9003	C2CBJG000660	IC	1	
IC9004	COEBE0000120	IC	1	
IC9005, 06	C0JBAZ000856	IC	2	
IC9007	TVRN462	IC	1	
IC9008	C0DBEJG00001	IC	1	
IC9200	C1ZBZ0002769	IC	1	
IC9300	MN84512-A	IC	1	
IC9301	PST9128NR	IC (LOGIC)	1	
IC9302	C3ABQJ000031	IC	1	
IC9303	TVRN461-1	IC	1	
IC9500	C1ZBZ0002599	IC	1	
IC9502	C0JBAZ000856	IC	1	
IC9504	C0JBAZ000856	IC	1	
IC9700	C0DBEJG00001	IC	1	
IC9702	C0DBAZH00020	IC	1	
JK3100A	TJB0A639	TERMINAL	1	
JS012	ERJ3GEY0R00	M 0 OHM, 1/16W	1	
JS027	ERJ3GEY0R00	M 0 OHM, 1/16W	1	
JS1000	ERJ3GEY0R00	M 0 OHM, 1/16W	1	
JS1177	ERJ3GEY0R00	M 0 OHM, 1/16W	1	
JS2003	ERJ3GEY0R00	M 0 OHM, 1/16W	1	
JS2026	ERJ3GEY0R00	M 0 OHM, 1/16W	1	
JS2031-33	ERJ3GEY0R00	M 0 OHM, 1/16W	3	
JS2101, 02	ERJ3GEY0R00	M 0 OHM, 1/16W	2	
JS2105, 06	ERJ3GEY0R00	M 0 OHM, 1/16W	2	
JS2108	ERJ3GEY0R00	M 0 OHM, 1/16W	1	
JS2109	ERJ6GEY0R00	M 0 OHM, 1/10W	1	
JS2111	ERJ3GEY0R00	M 0 OHM, 1/16W	1	
JS2114, 15	ERJ3GEY0R00	M 0 OHM, 1/16W	2	

Ref. No.	Part No.	Part Name & Description	Pcs	Remarks
JS2304-11	ERJ6GEY0R00	M 0 OHM, 1/10W	8	
JS2315	ERJ3GEY0R00	M 0 OHM, 1/16W	1	
JS2317-24	ERJ6GEY0R00	M 0 OHM, 1/10W	8	
JS2329-32	ERJ6GEY0R00	M 0 OHM, 1/10W	4	
JS3001	ERJ3GEY0R00	M 0 OHM, 1/16W	1	
JS3010-15	ERJ6GEY0R00	M 0 OHM, 1/10W	6	
JS3022, 23	ERJ3GEY0R00	M 0 OHM, 1/16W	2	
JS3028, 29	ERJ3GEY0R00	M 0 OHM, 1/16W	2	
JS3202	J0JCC0000241	CHIP INDUCTOR	1	
JS3205	J0JCC0000241	CHIP INDUCTOR	1	
JS3206	ERJ3GEY0R00	M 0 OHM, 1/16W	1	
JS3208	ERJ3GEY0R00	M 0 OHM, 1/16W	1	
JS3244, 45	J0JCC0000241	CHIP INDUCTOR	2	
JS3248	ERJ6GEY0R00	M 0 OHM, 1/10W	1	
JS3252	ERJ6GEY0R00	M 0 OHM, 1/10W	1	
JS3255	ERJ6GEY0R00	M 0 OHM, 1/10W	1	
JS3265	ERJ3GEY0R00	M 0 OHM, 1/16W	1	
JS3302-04	ERJ3GEY0R00	M 0 OHM, 1/16W	3	
JS3327-37	ERJ3GEY0R00	M 0 OHM, 1/16W	11	
JS3339-45	ERJ3GEY0R00	M 0 OHM, 1/16W	7	
JS3354-57	ERJ3GEY0R00	M 0 OHM, 1/16W	4	
JS3359	ERJ3GEY0R00	M 0 OHM, 1/16W	1	
JS3366-68	ERJ3GEY0R00	M 0 OHM, 1/16W	3	
JS3401-08	ERJ3GEY0R00	M 0 OHM, 1/16W	8	
JS3422-24	ERJ3GEY0R00	M 0 OHM, 1/16W	3	
JS4002	ERJ3GEY0R00	M 0 OHM, 1/16W	1	
JS4004-09	ERJ3GEY0R00	M 0 OHM, 1/16W	6	
JS4012-14	ERJ3GEY0R00	M 0 OHM, 1/16W	3	
JS4022, 23	ERJ3GEY0R00	M 0 OHM, 1/16W	2	
JS4027-30	ERJ3GEY0R00	M 0 OHM, 1/16W	4	
JS4081	ERJ3GEY0R00	M 0 OHM, 1/16W	1	
JS4084	ERJ3GEY0R00	M 0 OHM, 1/16W	1	
JS4087-92	ERJ3GEY0R00	M 0 OHM, 1/16W	6	
JS4095, 96	ERJ3GEY0R00	M 0 OHM, 1/16W	2	
JS4901	ERJ3GEY0R00	M 0 OHM, 1/16W	1	
JS5602	ERJ3GEY0R00	M 0 OHM, 1/16W	1	
JS5609-12	ERJ6GEY0R00	M 0 OHM, 1/10W	4	
JS5801, 02	ERJ6GEY0R00	M 0 OHM, 1/10W	2	
JS5805-08	ERJ6GEY0R00	M 0 OHM, 1/10W	4	
JS5810-18	ERJ6GEY0R00	M 0 OHM, 1/10W	9	
K1	K1KA12BA0053	12P CONNECTOR	1	
L001	J0JGC0000021	CHIP INDUCTOR COIL	1	
L004,05	J0JHC0000078	CHIP INDUCTOR	2	
L007	EXC3BB221H	BEAD CHOKE	1	
L008-11	J0JCC0000241	CHIP INDUCTOR	4	
L013	J0JCC0000241	CHIP INDUCTOR	1	
L015	J0JGC0000021	CHIP INDUCTOR COIL	1	
L018,19	J0JHC0000078	CHIP INDUCTOR	2	
L021,22	J0JCC0000241	CHIP INDUCTOR	2	
L024	EXC3BB221H	BEAD CHOKE	1	
L025,26	J0JCC0000241	CHIP INDUCTOR	2	
L028	J0JGC0000021	CHIP INDUCTOR COIL	1	

Ref. No.	Part No.	Part Name & Description	Pcs	Remarks
L031	J0JGC0000021	CHIP INDUCTOR COIL	1	
L1009	J0JHC0000078	CHIP INDUCTOR	1	
L1110-14	J0JHC0000078	CHIP INDUCTOR	5	
L1120	J0JHC0000078	CHIP INDUCTOR	1	
L1170	J0JHC0000078	CHIP INDUCTOR	1	
L1172	ELJFA8R2KB	CHIP INDUCTOR	1	
L1174	J0JCC0000241	CHIP INDUCTOR	1	
L1175,76	J0JHC0000078	CHIP INDUCTOR	2	
L2003,04	EXC3BB221H	BEAD CHOKE	2	
L2007,08	EXC3BB221H	BEAD CHOKE	2	
L2011,12	EXC3BB221H	BEAD CHOKE	2	
L2015,16	EXC3BB221H	BEAD CHOKE	2	
L2107,08	J0JCC0000241	CHIP INDUCTOR	2	
L2109,10	TSK1032	BEAD CHOKE	2	
L2111,12	J0JCC0000241	CHIP INDUCTOR	2	
L2113,14	TSK1032	BEAD CHOKE	2	
L2115,16	J0JCC0000241	CHIP INDUCTOR	2	
L2117	ELESE6R8KA	PEAKING COIL	1	
L2118	EXCELD35C	BEAD CHOKE	1	
L2120	J0JCC0000241	CHIP INDUCTOR	1	
L2121	EXCELD35C	BEAD CHOKE	1	
L2122	TSK1032	BEAD CHOKE	1	
L2123	ERJ3GEY0R00	M 0 OHM, 1/16W	1	
L2178,79	J0JCC0000241	CHIP INDUCTOR	2	
L2182-87	J0JCC0000241	CHIP INDUCTOR	6	
L2204	J0JCC0000241	CHIP INDUCTOR	1	
L2305,06	G0A100ZA0033	CHOKE COIL	2	
L2312,13	G0A100ZA0033	CHOKE COIL	2	
L2316-19	J0JJC0000011	CHIP INDUCTOR	4	
L3001-03	EXC3BB221H	BEAD CHOKE	3	
L3009	J0JCC0000241	CHIP INDUCTOR	1	
L3010	EXC3BB221H	BEAD CHOKE	1	
L3011	ELJPA100KB	CHIP INDUCTOR	1	
L3013	EXC3BB221H	BEAD CHOKE	1	
L3211	ELJNC15NKB	CHIP COIL	1	
L3212	EXC3BB221H	BEAD CHOKE	1	
L3213	ELJNC15NKB	CHIP COIL	1	
L3214	J0JCC0000364	CHIP INDUCTOR	1	
L3216	J0JGC0000021	CHIP INDUCTOR COIL	1	
L3217	J0JCC0000364	CHIP INDUCTOR	1	
L3219	J0JGC0000021	CHIP INDUCTOR COIL	1	
L4001	J0JHC0000078	CHIP INDUCTOR	1	
L4003,04	J0JHC0000078	CHIP INDUCTOR	2	
L4006-08	J0JHC0000078	CHIP INDUCTOR	3	
L4104	J0JCC0000241	CHIP INDUCTOR	1	
L4105	J0JHC0000078	CHIP INDUCTOR	1	
L4106	J0JCC0000241	CHIP INDUCTOR	1	
L4151	J0JCC0000241	CHIP INDUCTOR	1	
L4231	J0JCC0000241	CHIP INDUCTOR	1	
L4301	J0JHC0000078	CHIP INDUCTOR	1	
L4341-43	J0JHC0000078	CHIP INDUCTOR	3	
L4344	J0JCC0000241	CHIP INDUCTOR	1	
L4345	J0JHC0000078	CHIP INDUCTOR	1	
L4346	TALC168T100K	CHIP INDUCTOR COIL	1	
L4347,48	J0JCC0000241	CHIP INDUCTOR	2	
L4350	J0JHC0000078	CHIP INDUCTOR	1	

Ref. No.	Part No.	Part Name & Description	Pcs	Remarks
L4501	J0JHC0000078	CHIP INDUCTOR	1	
L4503,04	J0JHC0000078	CHIP INDUCTOR	2	
L4505	J0JCC0000241	CHIP INDUCTOR	1	
L4506	J0JHC0000078	CHIP INDUCTOR	1	
L4508,09	J0JHC0000078	CHIP INDUCTOR	2	
L4510	J0JCC0000241	CHIP INDUCTOR	1	
L4511	J0JHC0000078	CHIP INDUCTOR	1	
L4701	J0JHC0000078	CHIP INDUCTOR	1	
L4751	J0JCC0000241	CHIP INDUCTOR	1	
L4801-03	J0JHC0000078	CHIP INDUCTOR	3	
L4861,62	J0JHC0000078	CHIP INDUCTOR	2	
L4900	J0JHC0000078	CHIP INDUCTOR	1	
L5604	G0A470GA0002	CHOKE COIL	1	
L5605	G1C1R0MA0072	CHOKE COIL	1	
L5606	TALL08N120KA	INDUCTION COIL	1	
L5607	G0C101K00023	PEAKING COIL	1	
L5608	G1C100MA0072	CHOKE COIL	1	
L5609	TALL08N120KA	INDUCTION COIL	1	
L5610	G1C470MA0077	INDUCTION COIL	1	
L5611	G1A470ZA0007	CHOKE COIL	1	
L5612	G0A220GA0002	CHOKE COIL	1	
L5613,14	G1A470ZA0007	CHOKE COIL	2	
L5615	G0A220GA0002	CHOKE COIL	1	
L5616	G1A470ZA0007	CHOKE COIL	1	
L5808	G0A100GA0013	CHOKE COIL	1	
L5810	G0A100GA0013	CHOKE COIL	1	
L6002-04	G0ZZ00002183	PEAKING COIL	3	
L6005	G0C101K00023	PEAKING COIL	1	
L6011-13	G0AR60MA0003	CHOKE COIL	3	
L6014	G0A1R0MA0003	CHOKE COIL	1	
L6016	G0A1R0MA0003	CHOKE COIL	1	
L6017,18	J0JJC0000021	CHIP INDUCTOR	2	
L6019	G0ZZ00002183	PEAKING COIL	1	
L6022	J0JJC0000021	CHIP INDUCTOR	1	
L6024-27	G0ZZ00002183	PEAKING COIL	4	
L6034-37	G0ZZ00002183	PEAKING COIL	4	
L6042,43	J0JJC0000021	CHIP INDUCTOR	2	
L6047	J0JJC0000021	CHIP INDUCTOR	1	
L6050	G0ZZ00002183	PEAKING COIL	1	
L6451	J0JJC0000021	CHIP INDUCTOR	1	
L6453	J0JJC0000021	CHIP INDUCTOR	1	
L6471	J0JJC0000021	CHIP INDUCTOR	1	
L6472	G0ZZ00002183	PEAKING COIL	1	
L6602	G0ZZ00002183	PEAKING COIL	1	
L6604,05	G0ZZ00002183	PEAKING COIL	2	
L6611-13	G0AR60MA0003	CHOKE COIL	3	
L6614	G0A1R0MA0003	CHOKE COIL	1	
L6616	G0A1R0MA0003	CHOKE COIL	1	
L6618	J0JJC0000021	CHIP INDUCTOR	1	
L6624-27	G0ZZ00002183	PEAKING COIL	4	
L6634-37	G0ZZ00002183	PEAKING COIL	4	
L6647	J0JJC0000021	CHIP INDUCTOR	1	
L9200	G1C150KA0038	INDUCTION COIL	1	
L9500,01	J0JHC0000078	CHIP INDUCTOR	2	
L9700	G1C4R3M00003	CHIP INDUCTOR	1	
L9701	G1C6R8M00009	CHIP INDUCTOR	1	
LL6605	G0ZZ00002183	PEAKING COIL	1	
PA7	K1KA08AA0192	8P CONNECTOR	1	

Ref. No.	Part No.	Part Name & Description	Pcs	Remarks
PA10	K1KA06A00452	6P CONNECTOR	1	
PA20	K1MN30A00068	30P CONNECTOR	1	
PA30	K1MN30A00068	30P CONNECTOR	1	
PA5601,02	K5H4022A0023	FUSE	2	
PB5	K1KA11AA0194	11P CONNECTOR	1	
PB7	K1KA08AA0192	8P CONNECTOR	1	
PC6458	B3PBA0000223	IC	1	
PC6467	B3PBA0000223	IC	1	
PC6469	B3PBA0000223	IC	1	
PC6474	B3PBA0000223	IC	1	
PC6480	B3PBA0000223	IC	1	
PC6503	B3PBA0000233	IC	1	
PC6505	B3PBA0000233	IC	1	
PC6507	B3PBA0000233	IC	1	
PC6509,10	B3PBA0000234	IC	2	
PC6517	B3PBA0000223	IC	1	
Q1170	2SA207700L	TRANSISTOR	1	
Q1172	2SD601A	TRANSISTOR	1	
Q1174,75	2SD601A	TRANSISTOR	2	
Q1176	UN5211	TRANSISTOR	1	
Q1177	UN5111	TRANSISTOR	1	
Q1178	UN5211	TRANSISTOR	1	
Q1180	UN5211	TRANSISTOR	1	
Q1182	2SD601A	TRANSISTOR	1	
Q1184	2SD601A	TRANSISTOR	1	
Q1200	2SD601A	TRANSISTOR	1	
Q2001,02	2SD601A	TRANSISTOR	2	
Q2011	2SB709A	TRANSISTOR	1	
Q2012	2SD601A	TRANSISTOR	1	
Q2013	2SB709A	TRANSISTOR	1	
Q2102-05	2SB709A	TRANSISTOR	4	
Q2300	2SC584500L	TRANSISTOR	1	
Q2301	2SD601A	TRANSISTOR	1	
Q2302	2SC584500L	TRANSISTOR	1	
Q2314-17	2SC584500L	TRANSISTOR	4	
Q2323	2SA207700L	TRANSISTOR	1	
Q2324	2SC584500L	TRANSISTOR	1	
Q2510,11	2SD601A	TRANSISTOR	2	
Q2519	2SB709A	TRANSISTOR	1	
Q3002	2SB709A	TRANSISTOR	1	
Q3008	2SB709A	TRANSISTOR	1	
Q3009	2SD601A	TRANSISTOR	1	
Q3010-15	2SB709A	TRANSISTOR	6	
Q3017,18	2SB709A	TRANSISTOR	2	
Q3024	2SB709A	TRANSISTOR	1	
Q3204-07	2SD601A	TRANSISTOR	4	
Q3208-11	2SB709A	TRANSISTOR	4	
Q4006	2SD601A	TRANSISTOR	1	
Q4010-12	2SD601A	TRANSISTOR	3	
Q4013	2SA207700L	TRANSISTOR	1	
Q4015	2SB1218ARL	TRANSISTOR	1	
Q4016	2SA207700L	TRANSISTOR	1	
Q4068	2SD601A	TRANSISTOR	1	
Q4101	2SD601A	TRANSISTOR	1	
Q4103,04	2SD601A	TRANSISTOR	2	
Q4106,07	2SD601A	TRANSISTOR	2	
Q4109-12	2SD601A	TRANSISTOR	4	

Ref. No.	Part No.	Part Name & Description	Pcs	Remarks
Q4301-03	2SD601A	TRANSISTOR	3	
Q4306-08	2SA207700L	TRANSISTOR	3	
Q4309	2SD1030	TRANSISTOR	1	
Q4310, 11	2SD601A	TRANSISTOR	2	
Q4900	2SD601A	TRANSISTOR	1	
Q5601	B1DHDC000028	TRANSISTOR	1	
Q5602	2SC584500L	TRANSISTOR	1	
Q5603	B1DHDC000028	TRANSISTOR	1	
Q5604, 05	2SC584500L	TRANSISTOR	2	
Q5606	B1DHDC000028	TRANSISTOR	1	
Q5607	2SC584500L	TRANSISTOR	1	
Q5613	2SC584500L	TRANSISTOR	1	
Q5614	2SK3065T100	FET	1	
Q5641-43	2SA207700L	TRANSISTOR	3	
Q5644	2SC584500L	TRANSISTOR	1	
Q6001-03	B1JADN000001	TRANSISTOR	3	
Q6006-08	B1JADN000001	TRANSISTOR	3	
Q6011	2SD2185	TRANSISTOR	1	
Q6012	2SB1073001TV	TRANSISTOR	1	
Q6013	2SD2185	TRANSISTOR	1	
Q6014	2SB1073001TV	TRANSISTOR	1	
Q6021	2SK3996000VP	FET	1	
Q6024	2SK3996000VP	FET	1	
Q6025	2SK620	FET	1	
Q6041, 42	2SK373100L	FET	2	
Q6045	2SK326800L	FET	1	
Q6046	2SK373100L	FET	1	
Q6051	2SD1263A	TRANSISTOR	1	
Q6052	2SC1473A	TRANSISTOR	1	
Q6056	2SD601A	TRANSISTOR	1	
Q6451	2SD1263A	TRANSISTOR	1	
Q6454	2SC1473A	TRANSISTOR	1	
Q6461	B1BBCJ000004	TRANSISTOR	1	
Q6462	2SB0709A	TRANSISTOR	1	
Q6463	2SD601A	TRANSISTOR	1	
Q6471	B1BBCJ000004	TRANSISTOR	1	
Q6472	2SB0709A	TRANSISTOR	1	
Q6474	2SD814A	TRANSISTOR	1	
Q6476, 77	2SD601A	TRANSISTOR	2	
Q6491	2SD1263A	TRANSISTOR	1	
Q6492	2SC1473A	TRANSISTOR	1	
Q6501-05	2SK620	FET	5	
Q6511, 12	B1DFGL000008	TRANSISTOR	2	
Q6520	2SD601A	TRANSISTOR	1	
Q6521	B1DFES000002	TRANSISTOR	1	
Q6522-28	2SK400000L	FET	7	
Q6530	2SB1073001TV	TRANSISTOR	1	
Q6541	2SB1073001TV	TRANSISTOR	1	
Q6542	2SK399500L	FET	1	
Q6544-46	2SK399500L	FET	3	
Q6548	2SK399500L	FET	1	
Q6551	2SD601A	TRANSISTOR	1	
Q6552	B1DEET000002	TRANSISTOR	1	
Q6553	2SB1073001TV	TRANSISTOR	1	
Q6554	2SD2185	TRANSISTOR	1	
Q6555	B1DFES000002	TRANSISTOR	1	
Q6581	2SD601A	TRANSISTOR	1	
Q6583, 84	2SK620	FET	2	
Q6601-03	B1JADN000001	TRANSISTOR	3	
Q6606-08	B1JADN000001	TRANSISTOR	3	

Ref. No.	Part No.	Part Name & Description	Pcs	Remarks
Q6611	2SD2185	TRANSISTOR	1	
Q6612	2SB1073001TV	TRANSISTOR	1	
Q6613	2SD2185	TRANSISTOR	1	
Q6614	2SB1073001TV	TRANSISTOR	1	
Q6621	2SK3996000VP	FET	1	
Q6624	2SK3996000VP	FET	1	
Q6901	2SK620	FET	1	
Q9000, 01	2SD601A	TRANSISTOR	2	
Q9003	B1DHCC000034	TRANSISTOR	1	
Q9004	2SB709A	TRANSISTOR	1	
Q9008, 09	2SK2731T146	FET	2	
Q9010, 11	2SD601A	TRANSISTOR	2	
Q9012, 13	2SK2731T146	FET	2	
Q9020-23	2SD601A	TRANSISTOR	4	
Q9500	2SK2731T146	FET	1	
Q9700	2SD601A	TRANSISTOR	1	
Q9701, 02	B1MBCDA00002	TRANSISTOR	2	
Q9703, 04	2SD601A	TRANSISTOR	2	
Q9900, 01	2SD601A	TRANSISTOR	2	
R001, 02	ERJ3GEYJ102	M 1KOHM, J, 1/16W	2	
R011, 12	ERJ3GEYJ102	M 1KOHM, J, 1/16W	2	
R013, 14	ERJ3GEY0R00	M 0 OHM, 1/16W	2	
R1110, 11	ERJ3GEY0R00	M 0 OHM, 1/16W	2	
R1115	ERJ3GEYJ103	M 10KOHM, J, 1/16W	1	
R1123	ERJ3GEYJ560	M 56 OHM, J, 1/16W	1	
R1125	ERJ3GEYJ560	M 56 OHM, J, 1/16W	1	
R1127	ERJ3GEYJ560	M 56 OHM, J, 1/16W	1	
R1134	ERJ3GEYJ560	M 56 OHM, J, 1/16W	1	
R1146	ERJ3GEY0R00	M 0 OHM, 1/16W	1	
R1149	ERJ3GEYJ220	M 22 OHM, J, 1/16W	1	
R1168	ERJ3GEY0R00	M 0 OHM, 1/16W	1	
R1170	TAJAAH0101JV	M 100 OHM, J, 1/16W	1	
R1171	ERJ6GEYJ222	M 2.2KOHM, J, 1/10W	1	
R1172	ERJ6GEY0R00	M 0 OHM, 1/10W	1	
R1173	ERJ3GEY0R00	M 0 OHM, 1/16W	1	
R1175	ERJ3GEYJ392	M 3.9KOHM, J, 1/16W	1	
R1177	ERJ3GEYJ473	M 47KOHM, J, 1/16W	1	
R1178	ERJ3GEYJ223	M 22KOHM, J, 1/16W	1	
R1180	ERJ3GEY0R00	M 0 OHM, 1/16W	1	
R1185	TAJAAH0101JV	M 100 OHM, J, 1/16W	1	
R1186	ERJ3GEYJ331	M 330 OHM, J, 1/16W	1	
R1187	ERJ3GEY0R00	M 0 OHM, 1/16W	1	
R1188	ERJ3GEYJ471	M 470 OHM, J, 1/16W	1	
R1189	ERJ3GEYJ103	M 10KOHM, J, 1/16W	1	
R1190-97	ERJ3GEY0R00	M 0 OHM, 1/16W	8	
R1199	ERJ3GEY0R00	M 0 OHM, 1/16W	1	
R1200	TAJAAH0101JV	M 100 OHM, J, 1/16W	1	
R1201	ERJ3GEY0R00	M 0 OHM, 1/16W	1	
R1202-04	ERJ3GEYJ220	M 22 OHM, J, 1/16W	3	
R1206	ERJ3GEY0R00	M 0 OHM, 1/16W	1	
R1208, 09	ERJ3GEY0R00	M 0 OHM, 1/16W	2	
R1212	ERJ3GEY0R00	M 0 OHM, 1/16W	1	
R1213	ERJ3GEYJ473	M 47KOHM, J, 1/16W	1	
R1214	ERJ3GEYJ102	M 1KOHM, J, 1/16W	1	
R1215	ERJ3GEYJ472	M 4.7KOHM, J, 1/16W	1	
R1216	ERJ3GEYJ103	M 10KOHM, J, 1/16W	1	
R1219	ERJ3GEY0R00	M 0 OHM, 1/16W	1	
R1221	ERJ3GEY0R00	M 0 OHM, 1/16W	1	
R1222	ERJ3GEYJ103	M 10KOHM, J, 1/16W	1	
R1224-26	ERJ3GEYJ683	M 68KOHM, J, 1/16W	3	
R1227	ERJ3GEYJ103	M 10KOHM, J, 1/16W	1	
R1228	ERJ3GEYJ562	M 5.6KOHM, J, 1/16W	1	

Ref. No.	Part No.	Part Name & Description	Pcs	Remarks
R1229	ERJ3GEY0R00	M 0 OHM, 1/16W	1	
R1231	ERJ3GEYJ104	M 100KOHM, J, 1/16W	1	
R1232	ERJ3GEYJ683	M 68KOHM, J, 1/16W	1	
R1233	ERJ3GEYJ333	M 33KOHM, J, 1/16W	1	
R1234	ERJ3GEYJ102	M 1KOHM, J, 1/16W	1	
R1235	ERJ3GEYJ563	M 56KOHM, J, 1/16W	1	
R1237	ERJ3GEYJ102	M 1KOHM, J, 1/16W	1	
R1238	ERJ3GEY0R00	M 0 OHM, 1/16W	1	
R1240	EXB2HV680J	RESISTOR ARRAY	1	
R1242, 43	ERJ3GEYJ103	M 10KOHM, J, 1/16W	2	
R1244	EXB38V680J	RESISTOR ARRAY	1	
R1249	ERJ3GEYJ223	M 22KOHM, J, 1/16W	1	
R1250	ERJ3GEYJ472	M 4.7KOHM, J, 1/16W	1	
R1251	ERJ3GEYJ103	M 10KOHM, J, 1/16W	1	
R1253	ERJ3GEY0R00	M 0 OHM, 1/16W	1	
R1255	ERJ3GEYJ223	M 22KOHM, J, 1/16W	1	
R1258	ERJ3GEYJ472	M 4.7KOHM, J, 1/16W	1	
R1263	ERJ3GEYJ103	M 10KOHM, J, 1/16W	1	
R1266	EXB2HV680J	RESISTOR ARRAY	1	
R1267	ERJ3EKF2702V	M27.0KOHM, 1/16W	1	
R1268	TAJAAH0101JV	M 100 OHM, J, 1/16W	1	
R1269	EXB2HV680J	RESISTOR ARRAY	1	
R1270	ERJ3GEYJ820	M 82 OHM, J, 1/16W	1	
R1271	ERJ3GEY0R00	M 0 OHM, 1/16W	1	
R1272, 73	D1HG5608A002	NETWORK RESISTER	2	
R1274	ERJ3GEY0R00	M 0 OHM, 1/16W	1	
R1275	TAJAAH0101JV	M 100 OHM, J, 1/16W	1	
R1277	TAJAAH0101JV	M 100 OHM, J, 1/16W	1	
R1280, 81	ERJ3GEY0R00	M 0 OHM, 1/16W	2	
R1283	TAJAAH0680JV	M 68 OHM, J, 1/16W	1	
R1284	TAJAAH0101JV	M 100 OHM, J, 1/16W	1	
R1285, 86	TAJAAH0680JV	M 68 OHM, J, 1/16W	2	
R1287	TAJAAH0101JV	M 100 OHM, J, 1/16W	1	
R1288	TAJAAH0680JV	M 68 OHM, J, 1/16W	1	
R1289, 90	ERJ3GEYJ103	M 10KOHM, J, 1/16W	2	
R1291-94	TAJAAH0101JV	M 100 OHM, J, 1/16W	4	
R1295	ERJ3GEYJ103	M 10KOHM, J, 1/16W	1	
R1297	ERJ3GEYJ562	M 5.6KOHM, J, 1/16W	1	
R1301	TAJAAH0101JV	M 100 OHM, J, 1/16W	1	
R1302	ERJ3GEYJ562	M 5.6KOHM, J, 1/16W	1	
R1303	TAJAAH0101JV	M 100 OHM, J, 1/16W	1	
R1305	ERJ3GEYJ103	M 10KOHM, J, 1/16W	1	
R1306	ERJ3GEYJ472	M 4.7KOHM, J, 1/16W	1	
R1307	ERJ3GEYJ102	M 1KOHM, J, 1/16W	1	
R1308, 09	TAJAAH0680JV	M 68 OHM, J, 1/16W	2	
R1311	ERJ3GEYJ201	M 200 OHM, J, 1/16W	1	
R1313	TAJAAH0101JV	M 100 OHM, J, 1/16W	1	
R1316, 17	ERJ3GEYJ103	M 10KOHM, J, 1/16W	2	
R1320	ERJ3GEYJ103	M 10KOHM, J, 1/16W	1	
R1321	TAJAAH0101JV	M 100 OHM, J, 1/16W	1	
R1322	ERJ3GEY0R00	M 0 OHM, 1/16W	1	
R1323, 24	ERJ3GEYJ332	M 3.3KOHM, J, 1/16W	2	
R1326, 27	ERJ3GEY0R00	M 0 OHM, 1/16W	2	
R1329	ERJ3GEY0R00	M 0 OHM, 1/16W	1	
R1330, 31	TAJAAH0101JV	M 100 OHM, J, 1/16W	2	
R1332, 33	ERJ3GEY0R00	M 0 OHM, 1/16W	2	
R1334	ERJ3GEYJ473	M 47KOHM, J, 1/16W	1	
R1336, 37	ERJ3GEY0R00	M 0 OHM, 1/16W	2	
R1338	ERJ3GEYJ102	M 1KOHM, J, 1/16W	1	
R1339-41	ERJ3GEY0R00	M 0 OHM, 1/16W	3	
R1342	ERJ3GEYJ562	M 5.6KOHM, J, 1/16W	1	

Ref. No.	Part No.	Part Name & Description	Pcs	Remarks
R1343, 44	ERJ3GEYJ332	M 3.3KOHM, J, 1/16W	2	
R1345, 46	ERJ3GEYJ103	M 10KOHM, J, 1/16W	2	
R1347, 48	ERJ3GEYJ562	M 5.6KOHM, J, 1/16W	2	
R1351	ERJ3GEYJ102	M 1KOHM, J, 1/16W	1	
R1355	ERJ3GEYJ562	M 5.6KOHM, J, 1/16W	1	
R1359, 60	ERJ3GEYJ562	M 5.6KOHM, J, 1/16W	2	
R1361	ERJ3GEYJ103	M 10KOHM, J, 1/16W	1	
R1365, 66	EXB2HV680J	RESISTOR ARRAY	2	
R1372-74	ERJ3GEYJ103	M 10KOHM, J, 1/16W	3	
R1380, 81	ERJ3GEYJ220	M 22 OHM, J, 1/16W	2	
R1384	ERJ3GEY0R00	M 0 OHM, 1/16W	1	
R1389	ERJ3GEYJ153	M 15KOHM, J, 1/16W	1	
R1390	ERJ3GEYJ102	M 1KOHM, J, 1/16W	1	
R2005	ERJ3GEYJ104	M 100KOHM, J, 1/16W	1	
R2006-11	ERJ6GEYJ223	M 22KOHM, J, 1/10W	6	
R2012	ERJ3GEYJ104	M 100KOHM, J, 1/16W	1	
R2013, 14	TAJAAH0101JV	M 100 OHM, J, 1/16W	2	
R2015, 16	ERJ3GEYJ331	M 330 OHM, J, 1/16W	2	
R2042	ERJ3GEYJ105	M 1MOHM, J, 1/16W	1	
R2043	ERJ3GEYJ473	M 47KOHM, J, 1/16W	1	
R2044	ERJ3GEYJ102	M 1KOHM, J, 1/16W	1	
R2045, 46	ERJ3GEYJ103	M 10KOHM, J, 1/16W	2	
R2047	ERJ3GEYJ222	M 2.2KOHM, J, 1/16W	1	
R2048	ERJ6GEYJ471	M 470 OHM, J, 1/10W	1	
R2049, 50	ERJ3GEYJ103	M 10KOHM, J, 1/16W	2	
R2053	ERJ6GEYJ471	M 470 OHM, J, 1/10W	1	
R2054	ERJ3GEYJ103	M 10KOHM, J, 1/16W	1	
R2113	ERJ3GEY0R00	M 0 OHM, 1/16W	1	
R2124, 25	TAJAAH0101JV	M 100 OHM, J, 1/16W	2	
R2126, 27	ERJ3GEYJ472	M 4.7KOHM, J, 1/16W	2	
R2128, 29	TAJAAH0101JV	M 100 OHM, J, 1/16W	2	
R2130, 31	ERJ3GEYJ103	M 10KOHM, J, 1/16W	2	
R2132	ERJ3GEYJ333	M 33KOHM, J, 1/16W	1	
R2133	ERJ3GEY0R00	M 0 OHM, 1/16W	1	
R2137	ERJ3GEYJ333	M 33KOHM, J, 1/16W	1	
R2138	ERJ3GEYJ473	M 47KOHM, J, 1/16W	1	
R2147	ERJ3GEYJ473	M 47KOHM, J, 1/16W	1	
R2148, 49	ERJ3GEYJ273	M 27KOHM, J, 1/16W	2	
R2151	ERJ3GEY0R00	M 0 OHM, 1/16W	1	
R2152	TAJAAH0470JV	M 47 OHM, J, 1/16W	1	
R2153	ERJ3GEYJ221	M 220 OHM, J, 1/16W	1	
R2154	TAJAAH0470JV	M 47 OHM, J, 1/16W	1	
R2155, 56	ERJ3GEYJ221	M 220 OHM, J, 1/16W	2	
R2158	ERJ3GEYJ221	M 220 OHM, J, 1/16W	1	
R2164	ERJ3GEYJ221	M 220 OHM, J, 1/16W	1	
R2165, 66	TAJAAH0101JV	M 100 OHM, J, 1/16W	2	
R2167	ERJ3GEYJ221	M 220 OHM, J, 1/16W	1	
R2168, 69	ERJ3GEYJ472	M 4.7KOHM, J, 1/16W	2	
R2172, 73	ERJ3GEYJ221	M 220 OHM, J, 1/16W	2	
R2180	ERJ8GEY0R00	M 0 OHM, 1/8W	1	
R2182, 83	TAJAAH0101JV	M 100 OHM, J, 1/16W	2	
R2184-87	ERJ3GEYJ221	M 220 OHM, J, 1/16W	4	
R2192, 93	ERJ3GEYJ221	M 220 OHM, J, 1/16W	2	



Ref. No.	Part No.	Part Name & Description	Pcs	Remarks
R2195,96	J0JCC0000241	CHIP INDUCTOR	2	
R2197	ERJ3GEYJ471	M 470 OHM,J,1/16W	1	
R2198	ERJ6GENF1781	M1.78KOHM, 1/10W	1	
R2200	ERJ3GEYJ221	M 220 OHM,J,1/16W	1	
R2201	ERJ6GENF1601	M 1.6KOHM, 1/10W	1	
R2202	TAJAAH0101JV	M 100 OHM,J,1/16W	1	
R2224,25	ERJ3GEY0R00	M 0 OHM, 1/16W	2	
R2302	ERJ3GEYJ223	M 22KOHM,J,1/16W	1	
R2303	ERJ3GEYJ562	M 5.6KOHM,J,1/16W	1	
R2304	ERJ3GEYJ104	M 100KOHM,J,1/16W	1	
R2305	ERJ3GEYJ471	M 470 OHM,J,1/16W	1	
R2306	ERJ6GEYJ821	M 820 OHM,J,1/10W	1	
R2307	ERJ3GEYJ104	M 100KOHM,J,1/16W	1	
R2308,09	ERJ3GEYJ392	M 3.9KOHM,J,1/16W	2	
R2310	ERJ3GEYJ184	M 180KOHM,J,1/16W	1	
R2311	ERJ12YJ821	M 820 OHM,J, 1/2W	1	
R2312,13	ERJ3GEYJ103	M 10KOHM,J,1/16W	2	
R2314,15	ERJ3GEYJ220	M 22 OHM,J,1/16W	2	
R2320	ERJ3GEYJ222	M 2.2KOHM,J,1/16W	1	
R2321	ERJ3GEYJ393	M 39KOHM,J,1/16W	1	
R2322	ERJ3GEYJ103	M 10KOHM,J,1/16W	1	
R2323	ERJ3GEYJ472	M 4.7KOHM,J,1/16W	1	
R2324	ERJ3GEYJ103	M 10KOHM,J,1/16W	1	
R2325	ERJ3GEYJ913	M 91KOHM,J,1/16W	1	
R2326	TAJAAH0101JV	M 100 OHM,J,1/16W	1	
R2328	ERJ3GEYJ104	M 100KOHM,J,1/16W	1	
R2329	ERJ3GEYJ393	M 39KOHM,J,1/16W	1	
R2330	ERJ3GEYJ563	M 56KOHM,J,1/16W	1	
R2331	ERJ6GEYJ471	M 470 OHM,J,1/10W	1	
R2332	ERJ3GEYJ913	M 91KOHM,J,1/16W	1	
R2335	ERJ3GEYJ104	M 100KOHM,J,1/16W	1	
R2336	ERJ3GEYJ393	M 39KOHM,J,1/16W	1	
R2337	ERJ3GEYJ563	M 56KOHM,J,1/16W	1	
R2338	ERJ3GEY0R00	M 0 OHM, 1/16W	1	
R2339	ERJ3GEYJ913	M 91KOHM,J,1/16W	1	
R2342,43	ERJ6GEY0R00	M 0 OHM, 1/10W	2	
R2344	ERJ3GEYJ913	M 91KOHM,J,1/16W	1	
R2345,46	ERJ3GEYJ563	M 56KOHM,J,1/16W	2	
R2377,78	ERJ3GEY0R00	M 0 OHM, 1/16W	2	
R2381,82	ERJ3GEY0R00	M 0 OHM, 1/16W	2	
R2388,89	ERJ6GEYJ102	M 1KOHM,J,1/10W	2	
R2390	ERJ3GEYJ203	M 20KOHM,J,1/16W	1	
R2391	ERJ3GEYJ103	M 10KOHM,J,1/16W	1	
R2392	ERJ3GEYJ223	M 22KOHM,J,1/16W	1	
R2393	ERJ3GEYJ103	M 10KOHM,J,1/16W	1	
R2394	ERJ3GEYJ203	M 20KOHM,J,1/16W	1	
R2395,96	ERJ3GEYJ103	M 10KOHM,J,1/16W	2	
R2397,98	ERJ3GEYJ473	M 47KOHM,J,1/16W	2	
R2412	ERJ6GEY0R00	M 0 OHM, 1/10W	1	
R2414	ERJ6GEY0R00	M 0 OHM, 1/10W	1	
R2437,38	ERJ3GEYJ103	M 10KOHM,J,1/16W	2	
R2444,45	ERJ6GEYJ102	M 1KOHM,J,1/10W	2	
R2448,49	ERJ6GEYJ510	M 51 OHM,J,1/10W	2	
R2450	ERJ6GEYJ101	M 100 OHM,J,1/10W	1	
R2451,52	ERJ6GEYJ510	M 51 OHM,J,1/10W	2	
R2453	ERJ6GEYJ101	M 100 OHM,J,1/10W	1	
R2460	ERJ6GENF1373	M 137KOHM, 1/10W	1	
R2461	ERJ6GENF1103	M 110KOHM, 1/10W	1	
R2464,65	ERJ6GEYJ120	M 12 OHM,J,1/10W	2	

Ref. No.	Part No.	Part Name & Description	Pcs	Remarks
R2468,69	ERJ6GEYJ112	M 1.1KOHM,J,1/10W	2	
R2488,89	ERJ6GEYJ120	M 12 OHM,J,1/10W	2	
R2499	ERJ3GEYJ472	M 4.7KOHM,J,1/16W	1	
R2516	ERJ6GEYJ223	M 22KOHM,J,1/10W	1	
R2517	ERJ6GEYJ470	M 47 OHM,J,1/10W	1	
R2520	ERJ6GEYJ224	M 22KOHM,J,1/10W	1	
R2524	ERJ6GEYJ223	M 22KOHM,J,1/10W	1	
R2525	ERJ6GENF1002	M 10KOHM, 1/10W	1	
R2526	ERJ6GEYJ562	M 5.6KOHM,J,1/10W	1	
R2542	ERJ6GEYJ101	M 100 OHM,J,1/10W	1	
R2545	ERJ6GEYJ101	M 100 OHM,J,1/10W	1	
R2550	ERJ6GEY0R00	M 0 OHM, 1/10W	1	
R2553	ERJ6GEYJ223	M 22KOHM,J,1/10W	1	
R2557	ERJ6GENF1501	M 1.5KOHM, 1/10W	1	
R3001-10	ERJ6GENF75R0	M 75 OHM, 1/10W	10	
R3012	ERJ6GENF75R0	M 75 OHM, 1/10W	1	
R3020	ERJ6GENF2202	M 2.2KOHM, 1/10W	1	
R3021,22	ERJ3GEYJ103	M 10KOHM,J,1/16W	2	
R3027	ERJ6GENF75R0	M 75 OHM, 1/10W	1	
R3039	ERJ3GEYJ221	M 220 OHM,J,1/16W	1	
R3044,45	ERJ3GEY0R00	M 0 OHM, 1/16W	2	
R3047	ERJ3GEY0R00	M 0 OHM, 1/16W	1	
R3048	ERJ3GEYJ152	M 1.5KOHM,J,1/16W	1	
R3049-51	ERJ3GEYJ103	M 10KOHM,J,1/16W	3	
R3053	ERJ3GEYJ221	M 220 OHM,J,1/16W	1	
R3054	ERJ3GEY0R00	M 0 OHM, 1/16W	1	
R3055	ERJ3EKF5600	M 560 OHM, 1/16W	1	
R3057,58	ERJ3GEY0R00	M 0 OHM, 1/16W	2	
R3059	ERJ3GEYJ221	M 220 OHM,J,1/16W	1	
R3064	ERJ3GEYJ221	M 220 OHM,J,1/16W	1	
R3065	ERJ3GEYJ682	M 6.8KOHM,J,1/16W	1	
R3067	ERJ3GEYJ103	M 10KOHM,J,1/16W	1	
R3069	ERJ3GEYJ103	M 10KOHM,J,1/16W	1	
R3071	ERJ3GEYJ103	M 10KOHM,J,1/16W	1	
R3074,75	ERJ3GEYJ221	M 220 OHM,J,1/16W	2	
R3076	ERJ3GEY0R00	M 0 OHM, 1/16W	1	
R3086	ERJ3GEY0R00	M 0 OHM, 1/16W	1	
R3087	ERJ3GEYJ221	M 220 OHM,J,1/16W	1	
R3089,90	TAJAAH0470JV	M 47 OHM,J,1/16W	2	
R3092	ERJ3GEYJ221	M 220 OHM,J,1/16W	1	
R3094,95	ERJ3GEYJ221	M 220 OHM,J,1/16W	2	
R3099-02	ERJ3GEYJ221	M 220 OHM,J,1/16W	4	
R3115-18	TAJAAH0101JV	M 100 OHM,J,1/16W	4	
R3119,20	ERJ3GEY0R00	M 0 OHM, 1/16W	2	
R3121	ERJ3EKF1000	M 100 OHM, 1/16W	1	
R3122	TAJAAH0101JV	M 100 OHM,J,1/16W	1	
R3123	ERJ3EKF82R0	M 82 OHM, 1/16W	1	
R3124	ERJ6GEYJ152	M 1.5KOHM,J,1/10W	1	
R3125	ERJ6GEYJ102	M 1KOHM,J,1/10W	1	
R3126	TAJAAH0101JV	M 100 OHM,J,1/16W	1	
R3127	ERJ6GEYJ102	M 1KOHM,J,1/10W	1	
R3128	ERJ6GEYJ152	M 1.5KOHM,J,1/10W	1	
R3129	TAJAAH0101JV	M 100 OHM,J,1/16W	1	
R3130	ERJ3GEYJ221	M 220 OHM,J,1/16W	1	
R3131	ERJ3GEY0R00	M 0 OHM, 1/16W	1	
R3132	ERJ3EKF5600	M 560 OHM, 1/16W	1	
R3133	ERJ3GEYJ221	M 220 OHM,J,1/16W	1	
R3134	ERJ3GEYJ104	M 100KOHM,J,1/16W	1	
R3135	ERJ3GEY0R00	M 0 OHM, 1/16W	1	
R3138	ERJ3EKF82R0	M 82 OHM, 1/16W	1	
R3139	ERJ6GEYJ102	M 1KOHM,J,1/10W	1	
R3140	ERJ3EKF1000	M 100 OHM, 1/16W	1	
R3141	ERJ6GEYJ102	M 1KOHM,J,1/10W	1	

Ref. No.	Part No.	Part Name & Description	Pcs	Remarks
R3142	ERJ6GEYJ152	M 1.5KOHM, J, 1/16W	1	
R3152, 53	TAJAAH0470JV	M 47 OHM, J, 1/16W	2	
R3158	TAJAAH0101JV	M 100 OHM, J, 1/16W	1	
R3159	ERJ3GEYJ223	M 22KOHM, J, 1/16W	1	
R3164	ERJ3GEYJ105	M 1MOHM, J, 1/16W	1	
R3166, 67	ERJ3GEYJ221	M 220 OHM, J, 1/16W	2	
R3206	TAJAAH0101JV	M 100 OHM, J, 1/16W	1	
R3213-22	ERJ3GEY0R00	M 0 OHM, 1/16W	10	
R3224-29	ERJ3GEY0R00	M 0 OHM, 1/16W	6	
R3237	TAJAAH0101JV	M 100 OHM, J, 1/16W	1	
R3238-45	ERJ3GEYJ103	M 10KOHM, J, 1/16W	8	
R3246	ERJ3GEYJ472	M 4.7KOHM, J, 1/16W	1	
R3247	ERJ3GEY0R00	M 0 OHM, 1/16W	1	
R3249	ERJ6GEYJ561	M 560 OHM, J, 1/10W	1	
R3250, 51	ERJ3GEY0R00	M 0 OHM, 1/16W	2	
R3252, 53	ERJ3GEYJ221	M 220 OHM, J, 1/16W	2	
R3254	ERJ6GEY0R00	M 0 OHM, 1/10W	1	
R3255	ERJ6GEYJ561	M 560 OHM, J, 1/10W	1	
R3256	ERJ3GEY0R00	M 0 OHM, 1/16W	1	
R3257	ERJ3GEYJ472	M 4.7KOHM, J, 1/16W	1	
R3258-64	ERJ3GEY0R00	M 0 OHM, 1/16W	7	
R3320	ERJ6GEY0R00	M 0 OHM, 1/10W	1	
R3323, 24	ERJ6GEY0R00	M 0 OHM, 1/10W	2	
R3401-07	ERJ6GEY0R00	M 0 OHM, 1/10W	7	
R3408, 09	ERJ3GEYJ361	M 360 OHM, J, 1/16W	2	
R3750	ERJ6ENF6802	M 68KOHM, 1/10W	1	
R3751	ERJ6ENF2202	M 2.2KOHM, 1/10W	1	
R3752	ERJ6GEY0R00	M 0 OHM, 1/10W	1	
R3753	ERJ6ENF6801	M 6.8KOHM, 1/10W	1	
R3754	ERJ6ENF1202	M 12KOHM, 1/10W	1	
R4001	ERJ3GEY0R00	M 0 OHM, 1/16W	1	
R4009	ERJ3GEY0R00	M 0 OHM, 1/16W	1	
R4014	ERJ3EKF1500	M 150 OHM, 1/16W	1	
R4016, 17	ERJ3EKF5760	M 576 OHM, 1/16W	2	
R4027	ERJ3EKF1500	M 150 OHM, 1/16W	1	
R4029, 30	ERJ3EKF1581	M 1.58KOHM, 1/10W	2	
R4031	ERJ3EKF4220	M 422 OHM, 1/10W	1	
R4033	ERJ3EKF2201	M 2.2KOHM, 1/16W	1	
R4035, 36	ERJ3EKF3001	M 3KOHM, 1/16W	2	
R4037	ERJ3EKF5600	M 560 OHM, 1/16W	1	
R4039	ERJ3EKF4220	M 422 OHM, 1/10W	1	
R4041	ERJ6GEYJ102	M 1KOHM, J, 1/10W	1	
R4043, 44	ERJ6GEYJ102	M 1KOHM, J, 1/10W	2	
R4045	ERJ3EKF2201	M 2.2KOHM, 1/16W	1	
R4046	ERJ6GEYJ102	M 1KOHM, J, 1/10W	1	
R4047	ERJ3EKF5600	M 560 OHM, 1/16W	1	
R4049	ERJ3GEY0R00	M 0 OHM, 1/16W	1	
R4050	ERJ6GEYJ102	M 1KOHM, J, 1/10W	1	
R4051, 52	ERJ3GEY0R00	M 0 OHM, 1/16W	2	
R4053	ERJ6GEYJ102	M 1KOHM, J, 1/10W	1	
R4054	ERJ3EKF1600	M 160 OHM, 1/16W	1	
R4055	ERJ3GEY0R00	M 0 OHM, 1/16W	1	
R4056, 57	ERJ6GEYJ102	M 1KOHM, J, 1/10W	2	
R4059	ERJ3EKF2702V	M 27.0KOHM, 1/16W	1	
R4060	ERJ3EKF4302	M 43KOHM, 1/16W	1	
R4062	ERJ3GEY0R00	M 0 OHM, 1/16W	1	
R4064	ERJ3EKF1371	M 13.7 OHM, 1/16W	1	
R4068	ERJ3EKF1691	M 1.69KOHM, 1/16W	1	

Ref. No.	Part No.	Part Name & Description	Pcs	Remarks
R4069-72	ERJ3GEYJ220	M 22 OHM, J, 1/16W	4	
R4075	ERJ3GEYJ220	M 22 OHM, J, 1/16W	1	
R4076, 77	EXB38V220J	RESISTOR ARRAY	2	
R4078	ERJ3GEYJ220	M 22 OHM, J, 1/16W	1	
R4079-81	EXB38V220J	RESISTOR ARRAY	3	
R4082-84	ERJ3GEYJ220	M 22 OHM, J, 1/16W	3	
R4086-88	ERJ3GEY0R00	M 0 OHM, 1/16W	3	
R4091-95	ERJ3GEY0R00	M 0 OHM, 1/16W	5	
R4100	ERJ3GEYJ183	M 18KOHM, J, 1/16W	1	
R4101	ERJ3GEYJ822	M 8.2KOHM, J, 1/16W	1	
R4102	ERJ3GEYJ183	M 18KOHM, J, 1/16W	1	
R4103	ERJ3GEYJ822	M 8.2KOHM, J, 1/16W	1	
R4104	ERJ3GEYJ183	M 18KOHM, J, 1/16W	1	
R4106	ERJ3GEYJ822	M 8.2KOHM, J, 1/16W	1	
R4107-09	ERJ3GEYJ330	M 33 OHM, J, 1/16W	3	
R4110	ERJ3GEYJ751	M 750 OHM, J, 1/16W	1	
R4111	ERJ3EKF5601	M 5.6KOHM, 1/16W	1	
R4112	ERJ3GEYJ751	M 750 OHM, J, 1/16W	1	
R4113	ERJ3EKF5601	M 5.6KOHM, 1/16W	1	
R4114	ERJ3GEYJ751	M 750 OHM, J, 1/16W	1	
R4115	ERJ3EKF5601	M 5.6KOHM, 1/16W	1	
R4117	ERJ6ENF5600	M 560 OHM, 1/10W	1	
R4118	ERJ3GEY0R00	M 0 OHM, 1/16W	1	
R4120	ERJ6ENF5600	M 560 OHM, 1/10W	1	
R4123	ERJ6ENF5600	M 560 OHM, 1/10W	1	
R4125-27	ERJ6GEYJ471	M 470 OHM, J, 1/10W	3	
R4128	ERJ3GEY0R00	M 0 OHM, 1/16W	1	
R4130	ERJ3GEY0R00	M 0 OHM, 1/16W	1	
R4132	ERJ3GEY0R00	M 0 OHM, 1/16W	1	
R4134-36	TAJAAH0680JV	M 68 OHM, J, 1/16W	3	
R4137-39	ERJ3GEYJ330	M 33 OHM, J, 1/16W	3	
R4140	ERJ3GEYJ103	M 10KOHM, J, 1/16W	1	
R4143	ERJ3GEY0R00	M 0 OHM, 1/16W	1	
R4144-46	ERJ3GEYJ471	M 470 OHM, J, 1/16W	3	
R4147-49	ERJ3GEYJ153	M 15KOHM, J, 1/16W	3	
R4150	ERJ3GEY0R00	M 0 OHM, 1/16W	1	
R4151, 52	ERJ3EKF2200	M 220 OHM, 1/16W	2	
R4153	ERJ3EKF1020	M 102 OHM, 1/16W	1	
R4154	ERJ3GEYJ220	M 22 OHM, J, 1/16W	1	
R4155	ERJ3GEYJ103	M 10KOHM, J, 1/16W	1	
R4157, 58	ERJ3GEYJ220	M 22 OHM, J, 1/16W	2	
R4159	ERJ3EKF1200	M 120 OHM, 1/16W	1	
R4160	ERJ3EKF1020	M 102 OHM, 1/16W	1	
R4161	ERJ3EKF1200	M 120 OHM, 1/16W	1	
R4163	ERJ3GEY0R00	M 0 OHM, 1/16W	1	
R4165	TAJAAH0680JV	M 68 OHM, J, 1/16W	1	
R4167	ERJ3GEY0R00	M 0 OHM, 1/16W	1	
R4169	ERJ3GEY0R00	M 0 OHM, 1/16W	1	
R4173	ERJ3GEYJ271	M 270 OHM, J, 1/16W	1	
R4174, 75	ERJ3GEY0R00	M 0 OHM, 1/16W	2	
R4177	TAJAAH0680JV	M 68 OHM, J, 1/16W	1	
R4182	ERJ3GEY0R00	M 0 OHM, 1/16W	1	
R4184	TAJAAH0680JV	M 68 OHM, J, 1/16W	1	
R4186	ERJ3GEY0R00	M 0 OHM, 1/16W	1	
R4188	ERJ3GEY0R00	M 0 OHM, 1/16W	1	
R4194-97	TAJAAH0680JV	M 68 OHM, J, 1/16W	4	
R4199	ERJ3EKF1200	M 120 OHM, 1/16W	1	
R4203	ERJ3EKF1020	M 102 OHM, 1/16W	1	
R4204	ERJ3GEYJ510	M 51 OHM, J, 1/16W	1	
R4207	ERJ3EKF1500	M 150 OHM, 1/16W	1	

Ref. No.	Part No.	Part Name & Description	Pcs	Remarks
R4208	ERJ3GEYJ510	M 51 OHM,J,1/16W	1	
R4209	ERJ3EKF2200	M 220 OHM, 1/16W	1	
R4210	TAJAAH0101JV	M 100 OHM,J,1/16W	1	
R4211	ERJ3GEY0R00	M 0 OHM, 1/16W	1	
R4228	ERJ3GEY0R00	M 0 OHM, 1/16W	1	
R4236-38	ERJ3GEY0R00	M 0 OHM, 1/16W	3	
R4244	ERJ3GEYJ102	M 1KOHM,J,1/16W	1	
R4249	EXB38V680J	RESISTOR ARRAY	1	
R4253	EXB38V680J	RESISTOR ARRAY	1	
R4255	ERJ3GEY0R00	M 0 OHM, 1/16W	1	
R4259	EXB38V680J	RESISTOR ARRAY	1	
R4301	ERJ3GEYJ361	M 360 OHM,J,1/16W	1	
R4303	ERJ3GEYJ181	M 180 OHM,J,1/16W	1	
R4305	ERJ3GEYJ181	M 180 OHM,J,1/16W	1	
R4307	ERJ6GEYJ361	M 360 OHM,J,1/10W	1	
R4308,09	ERJ6GEYJ561	M 560 OHM,J,1/10W	2	
R4315	ERJ3EKF8450	M 845 OHM, 1/16W	1	
R4318,19	ERJ3EKF4700	M 470 OHM, 1/16W	2	
R4320,21	ERJ3EKF3601	M 3.6KOHM, 1/16W	2	
R4325	ERJ3EKF1331	M13.3KOHM, 1/16W	1	
R4326,27	ERJ6GEYJ821	M 820 OHM,J,1/10W	2	
R4328	ERJ6GEYJ681	M 680 OHM,J,1/10W	1	
R4329-31	ERJ3GEYJ330	M 33 OHM,J,1/16W	3	
R4332	ERJ6GEYJ331	M 330 OHM,J,1/10W	1	
R4333	ERJ3GEY0R00	M 0 OHM, 1/16W	1	
R4334,35	ERJ6GEYJ471	M 470 OHM,J,1/10W	2	
R4336-41	ERJ3GEY0R00	M 0 OHM, 1/16W	6	
R4342-44	ERJ3EKF33R0	M 33 OHM, 1/16W	3	
R4345	ERJ3EKF1401	M 1.4KOHM, 1/16W	1	
R4346-48	ERJ3EKF33R0	M 33 OHM, 1/16W	3	
R4349	ERJ3EKF2701	M 2.7KOHM, 1/16W	1	
R4350	ERJ3EKF4700	M 470 OHM, 1/16W	1	
R4351-53	ERJ3EKF1500	M 150 OHM, 1/16W	3	
R4354	ERJ3EKF1001	M 1KOHM, 1/16W	1	
R4355-59	ERJ3GEY0R00	M 0 OHM, 1/16W	5	
R4360	ERJ3GEYJ911	M 910 OHM,J,1/16W	1	
R4361,62	ERJ3GEY0R00	M 0 OHM, 1/16W	2	
R4363	TAJAAH0101JV	M 100 OHM,J,1/16W	1	
R4364,65	ERJ3GEYJ220	M 22 OHM,J,1/16W	2	
R4367	ERJ3GEY0R00	M 0 OHM, 1/16W	1	
R4368,69	ERJ3GEYJ560	M 56 OHM,J,1/16W	2	
R4370	TAJAAH0470JV	M 47 OHM,J,1/16W	1	
R4372	D1HG5608A002	NETWORK RESISTER	1	
R4373,74	EXB38V560J	RESISTOR ARRAY	2	
R4379,80	ERJ3GEYJ220	M 22 OHM,J,1/16W	2	
R4381-83	ERJ3GEYJ221	M 220 OHM,J,1/16W	3	
R4501	TAJAAH0470JV	M 47 OHM,J,1/16W	1	
R4502	ERJ3GEYJ103	M 10KOHM,J,1/16W	1	
R4503	ERJ3EKF1202	M 12KOHM, 1/16W	1	
R4504	ERJ3EKF1800	M 180 OHM, 1/16W	1	
R4505	ERJ3EKF2001	M 2KOHM, 1/16W	1	
R4506	ERJ3EKF4302	M 43KOHM, 1/16W	1	
R4508,09	ERJ3GEYJ220	M 22 OHM,J,1/16W	2	
R4510-14	ERJ3GEY0R00	M 0 OHM, 1/16W	5	
R4515,16	ERJ3EKF1741	M 17.4 OHM, 1/16W	2	

Ref. No.	Part No.	Part Name & Description	Pcs	Remarks
R4518,19	ERJ3GEY0R00	M 0 OHM, 1/16W	2	
R4520,21	ERJ3GEYJ103	M 10KOHM,J,1/16W	2	
R4522	ERJ3GEYJ750	M 75 OHM,J,1/16W	1	
R4523,24	ERJ3GEY0R00	M 0 OHM, 1/16W	2	
R4525	ERJ3GEYJ103	M 10KOHM,J,1/16W	1	
R4526	TAJAAH0470JV	M 47 OHM,J,1/16W	1	
R4527	ERJ3GEYJ393	M 39KOHM,J,1/16W	1	
R4528	ERJ3EKF1001	M 1KOHM, 1/16W	1	
R4529,30	ERJ3GEYJ103	M 10KOHM,J,1/16W	2	
R4531,32	TAJAAH0101JV	M 100 OHM,J,1/16W	2	
R4533	ERJ3EKF9100	M 910 OHM, 1/16W	1	
R4534,35	ERJ3GEYJ220	M 22 OHM,J,1/16W	2	
R4575,76	ERJ3GEY0R00	M 0 OHM, 1/16W	2	
R4577,78	TAJAAH0680JV	M 68 OHM,J,1/16W	2	
R4583-03	TAJAAH0680JV	M 68 OHM,J,1/16W	21	
R4604-06	EXB38V680J	RESISTOR ARRAY	3	
R4609	ERJ3GEY0R00	M 0 OHM, 1/16W	1	
R4610-13	TAJAAH0680JV	M 68 OHM,J,1/16W	4	
R4614-17	EXB2HV680J	RESISTOR ARRAY	4	
R4618	EXB38V680J	RESISTOR ARRAY	1	
R4619	EXB2HV680J	RESISTOR ARRAY	1	
R4620	ERJ3GEY0R00	M 0 OHM, 1/16W	1	
R4659	TAJAAH0680JV	M 68 OHM,J,1/16W	1	
R4661	TAJAAH0680JV	M 68 OHM,J,1/16W	1	
R4662,63	ERJ3GEYJ220	M 22 OHM,J,1/16W	2	
R4664	TAJAAH0101JV	M 100 OHM,J,1/16W	1	
R4671	EXB38V680J	RESISTOR ARRAY	1	
R4672	ERJ3GEYJ103	M 10KOHM,J,1/16W	1	
R4701,02	ERJ3EKF3002	M 30KOHM, 1/16W	2	
R4704,05	ERJ3EKF1741	M 17.4 OHM, 1/16W	2	
R4706-10	ERJ3GEY0R00	M 0 OHM, 1/16W	5	
R4756-58	ERJ3GEYJ330	M 33 OHM,J,1/16W	3	
R4759	ERJ3GEYJ510	M 51 OHM,J,1/16W	1	
R4760	ERJ3GEYJ103	M 10KOHM,J,1/16W	1	
R4762	ERJ3GEYJ330	M 33 OHM,J,1/16W	1	
R4763	ERJ3GEYJ103	M 10KOHM,J,1/16W	1	
R4766	ERJ3GEY0R00	M 0 OHM, 1/16W	1	
R4768	ERJ3GEY0R00	M 0 OHM, 1/16W	1	
R4769	ERJ3GEYJ151	M 150 OHM,J,1/16W	1	
R4802	ERJ3GEYJ103	M 10KOHM,J,1/16W	1	
R4805	ERJ3GEYJ103	M 10KOHM,J,1/16W	1	
R4807,08	ERJ3GEYJ223	M 22KOHM,J,1/16W	2	
R4810	ERJ3GEYJ103	M 10KOHM,J,1/16W	1	
R4821-23	EXB38VR000	RESISTOR ARRAY	3	
R4834	ERJ3GEYJ103	M 10KOHM,J,1/16W	1	
R4851	ERJ3GEYJ821	M 820 OHM,J,1/16W	1	
R4884	ERJ3GEY0R00	M 0 OHM, 1/16W	1	
R4887,88	ERJ3GEY0R00	M 0 OHM, 1/16W	2	
R4897,98	ERJ3GEY0R00	M 0 OHM, 1/16W	2	
R4920,21	J0JCC0000241	CHIP INDUCTOR	2	
R4922-26	ERJ3GEY0R00	M 0 OHM, 1/16W	5	
R4927	J0JCC0000241	CHIP INDUCTOR	1	
R4928-34	ERJ3GEY0R00	M 0 OHM, 1/16W	7	

Ref. No.	Part No.	Part Name & Description	Pcs	Remarks
R4936-42	ERJ3GEY0R00	M 0 OHM, 1/16W	7	
R4943	ERJ6GEYJ102	M 1KOHM, J, 1/10W	1	
R4944, 45	ERJ3GEYJ473	M 47KOHM, J, 1/16W	2	
R4946	TAJAAH0101JV	M 100 OHM, J, 1/16W	1	
R4947	ERJ3GEYJ223	M 22KOHM, J, 1/16W	1	
R4948, 49	ERJ3EKF3002	M 30KOHM, 1/16W	2	
R4950	ERJ3GEYJ103	M 10KOHM, J, 1/16W	1	
R4951	ERJ3GEY0R00	M 0 OHM, 1/16W	1	
R4952	ERJ3GEYJ330	M 33 OHM, J, 1/16W	1	
R4954, 55	ERJ3GEY0R00	M 0 OHM, 1/16W	2	
R5601	ERJ6ENF4532	M4.53KOHM, 1/10W	1	
R5603	ERJ6ENF2550	M 255 OHM, 1/10W	1	
R5605	ERJ6GEYJ223	M 22KOHM, J, 1/10W	1	
R5606	ERJ6GEYJ103	M 10KOHM, J, 1/10W	1	
R5607	ERJ6ENF1871	M1.87KOHM, 1/10W	1	
R5609	ERJ6ENF1871	M1.87KOHM, 1/10W	1	
R5610	ERJ6GEYJ103	M 10KOHM, J, 1/10W	1	
R5611	ERJ6ENF8202	M 82KOHM, 1/10W	1	
R5612	ERJ6ENF1652	M16.5KOHM, 1/10W	1	
R5615, 16	ERJ6GEYJ223	M 22KOHM, J, 1/10W	2	
R5617, 18	ERJ6GEYJ221	M 220 OHM, J, 1/10W	2	
R5621	ERJ6GEYJ103	M 10KOHM, J, 1/10W	1	
R5623, 24	ERJ6GEY0R00	M 0 OHM, 1/10W	2	
R5625-27	ERJ6GEYJ472	M 4.7KOHM, J, 1/10W	3	
R5630	ERJ6GEY0R00	M 0 OHM, 1/10W	1	
R5632	ERJ6GEYJ471	M 470 OHM, J, 1/10W	1	
R5633	ERJ6GEYJ102	M 1KOHM, J, 1/10W	1	
R5634	ERJ6GEYJ471	M 470 OHM, J, 1/10W	1	
R5635	ERJ6GEYJ221	M 220 OHM, J, 1/10W	1	
R5636	ERJ6GEYJ471	M 470 OHM, J, 1/10W	1	
R5637, 38	ERJ6GEYJ103	M 10KOHM, J, 1/10W	2	
R5639	ERJ6GEYJ222	M 2.2KOHM, J, 1/10W	1	
R5640	ERJ6GEYJ472	M 4.7KOHM, J, 1/10W	1	
R5641	ERJ6GEYJ222	M 2.2KOHM, J, 1/10W	1	
R5642	ERJ6GEYJ471	M 470 OHM, J, 1/10W	1	
R5643	ERJ6GEYJ681	M 680 OHM, J, 1/10W	1	
R5644	ERJ6GEYJ222	M 2.2KOHM, J, 1/10W	1	
R5645, 46	ERJ6ENF2201	M 2.2KOHM, 1/10W	2	
R5647	ERJ6GEYJ221	M 220 OHM, J, 1/10W	1	
R5648	ERJ6GEYJ392	M 3.9KOHM, J, 1/10W	1	
R5649	ERJ6GEYJ104	M 100KOHM, J, 1/10W	1	
R5650	ERJ6GEYJ221	M 220 OHM, J, 1/10W	1	
R5652	ERJ6GEY0R00	M 0 OHM, 1/10W	1	
R5653-56	ERJ6GEYJ103	M 10KOHM, J, 1/10W	4	
R5657, 58	ERJ6GEYJ472	M 4.7KOHM, J, 1/10W	2	
R5660	ERJ6GEY0R00	M 0 OHM, 1/10W	1	
R5662	ERJ6GEY0R00	M 0 OHM, 1/10W	1	
R5670	ERJ6GEYJ103	M 10KOHM, J, 1/10W	1	
R5672	ERJ6GEYJ103	M 10KOHM, J, 1/10W	1	
R5675	ERJ6GEYJ471	M 470 OHM, J, 1/10W	1	
R5680	ERJ6GEY0R00	M 0 OHM, 1/10W	1	
R5692	ERJ6GEYJ102	M 1KOHM, J, 1/10W	1	
R5693	ERJ6GEYJ333	M 33KOHM, J, 1/10W	1	
R5694, 95	ERJ6GEYJ103	M 10KOHM, J, 1/10W	2	
R5696	ERJ6GEYJ152	M 1.5KOHM, J, 1/10W	1	
R5815	ERJ6ENF3900	M 390 OHM, 1/10W	1	
R5819	ERJ6ENF2941	M2.94KOHM, 1/10W	1	
R5820	ERX3FJSR22D	M 2.2 OHM, J, 3W	1	
R6001	ERJ6GEYJ104	M 100KOHM, J, 1/10W	1	
R6002-05	ERJ6GEYJ151	M 150 OHM, J, 1/10W	4	
R6006, 07	ERJ6GEYJ101	M 100 OHM, J, 1/10W	2	

Ref. No.	Part No.	Part Name & Description	Pcs	Remarks
R6008, 09	ERJ6GEYJ104	M 100KOHM, J, 1/10W	2	
R6011-16	ERJ14YJ150U	M 15 OHM, J, 1/4W	6	
R6019-22	ERJ14YJ150U	M 15 OHM, J, 1/4W	4	
R6023	ERJ6GEYJ103	M 10KOHM, J, 1/10W	1	
R6024	ERJ6GEYJ100	M 10 OHM, J, 1/10W	1	
R6025	ERJ6GEYJ103	M 10KOHM, J, 1/10W	1	
R6026	ERJ6GEYJ100	M 10 OHM, J, 1/10W	1	
R6027, 28	TAJAAH0101JV	M 100 OHM, J, 1/16W	2	
R6029-31	ERJ6GEYJ103	M 10KOHM, J, 1/10W	3	
R6033	ERJ14YJ204	M 200KOHM, J, 1/4W	1	
R6034, 35	ERJ14YJ150U	M 15 OHM, J, 1/4W	2	
R6041, 42	ERJ14YJ5R6U	M 6.2OHM, 1/4W	2	
R6049, 50	ERJ14YJ5R6U	M 6.2OHM, 1/4W	2	
R6055	ERJ6GEYJ101	M 100 OHM, J, 1/10W	1	
R6056	ERJ6GEYJ104	M 100KOHM, J, 1/10W	1	
R6057	ERG1FJS470D	M 47 OHM, J, 1W	1	
R6059, 60	TAJAAH0101JV	M 100 OHM, J, 1/16W	2	
R6061	ERJ6ENF1001	M 1KOHM, 1/10W	1	
R6062, 63	ERJ6GEYJ224	M 220KOHM, J, 1/10W	2	
R6067	ERG1FJS472D	M 4.7KOHM, J, 1W	1	
R6068	ERG2FJS123D	M 12KOHM, J, 2W	1	
R6069, 70	ERJ6ENF2202	M 2.2KOHM, 1/10W	2	
R6073	ERJ6ENF1201	M 1.2KOHM, 1/10W	1	
R6074	ERJ6ENF2202	M 2.2KOHM, 1/10W	1	
R6076	ERJ6GEY0R00	M 0 OHM, 1/10W	1	
R6077, 78	ERX3FJSR22D	M 2.2 OHM, J, 3W	2	
R6079, 80	ERJ6GEYJ101	M 100 OHM, J, 1/10W	2	
R6081	ERJ6GEYJ222	M 2.2KOHM, J, 1/10W	1	
R6082, 83	TAJAAH0101JV	M 100 OHM, J, 1/16W	2	
R6084	ERJ14YJ224	M 220KOHM, J, 1/4W	1	
R6085, 86	ERJ6GEYJ470	M 47 OHM, J, 1/10W	2	
R6087	ERJ6GEYJ101	M 100 OHM, J, 1/10W	1	
R6088	ERJ6GEYJ103	M 10KOHM, J, 1/10W	1	
R6089	ERJ6GEYJ102	M 1KOHM, J, 1/10W	1	
R6092	ERJ6GEYJ151	M 150 OHM, J, 1/10W	1	
R6101	TAJAAH0470JV	M 47 OHM, J, 1/16W	1	
R6102	EXB38V470J	RESISTOR ARRAY	1	
R6104	ERJ3GEYJ472	M 4.7KOHM, J, 1/16W	1	
R6105	EXB38V472J	RESISTOR ARRAY	1	
R6107	TAJAAH0470JV	M 47 OHM, J, 1/16W	1	
R6110	ERJ3GEYJ472	M 4.7KOHM, J, 1/16W	1	
R6118, 19	ERJ6ENF3902	M 39KOHM, 1/10W	2	
R6120	ERJ6ENF7501	M 7.5KOHM, 1/10W	1	
R6121	ERJ6GEYJ103	M 10KOHM, J, 1/10W	1	
R6123	ERJ6GEYJ152	M 1.5KOHM, J, 1/10W	1	
R6124	ERJ6GEYJ103	M 10KOHM, J, 1/10W	1	
R6125	ERJ6GEYJ222	M 2.2KOHM, J, 1/10W	1	
R6126	ERJ6GEYJ152	M 1.5KOHM, J, 1/10W	1	
R6431	ERJ6GEY0R00	M 0 OHM, 1/10W	1	
R6433	ERJ6GEY0R00	M 0 OHM, 1/10W	1	
R6439, 40	ERJ6GEYJ103	M 10KOHM, J, 1/10W	2	
R6450	ERJ6GEYJ563	M 56KOHM, J, 1/10W	1	
R6451	ERJ6GEYJ103	M 10KOHM, J, 1/10W	1	
R6452	ERJ6GEYJ563	M 56KOHM, J, 1/10W	1	
R6453	ERJ6GEYJ472	M 4.7KOHM, J, 1/10W	1	
R6454, 55	ERJ14YJ103	M 10KOHM, J, 1/4W	2	
R6456	ERJ6ENF1183	M 118KOHM, 1/10W	1	
R6457, 58	ERJ6ENF2551	M2.55KOHM, 1/10W	2	

Ref. No.	Part No.	Part Name & Description	Pcs	Remarks
R6459	ERJ14YJ104	M 100KOHM, J, 1/4W	1	
R6460	ERJ14YJ203U	M 20KOHM, 1/2W	1	
R6461	ERG1FJS471D	M 470 OHM, J, 1W	1	
R6463	ERJ6GEYJ102	M 1KOHM, J, 1/10W	1	
R6464	ERJ6GEYJ222	M 2.2KOHM, J, 1/10W	1	
R6465	ERG3FNJS8R2E	M 8.2 OHM, J, 3W	1	
R6466	ERJ6GEYJ102	M 1KOHM, J, 1/10W	1	
R6467	ERJ6GEYJ122	M 1.2KOHM, J, 1/10W	1	
R6468	ERJ6GEYJ472	M 4.7KOHM, J, 1/10W	1	
R6469	ERJ6ENF1602	M 16KOHM, 1/10W	1	
R6471	ERJ6ENF4701	M 4.7KOHM, 1/10W	1	
R6472	ERJ6GEYJ102	M 1KOHM, J, 1/10W	1	
R6473	ERJ6GEYJ822	M 8.2KOHM, J, 1/10W	1	
R6474	ERG1FJS121D	M 120 OHM, J, 1W	1	
R6475	ERJ6GEYJ332	M 3.3KOHM, J, 1/10W	1	
R6476	ERJ6ENF2743	M 274KOHM, 1/10W	1	
R6478	ERJ6ENF6981	M 6.98KOHM, 1/10W	1	
R6479	ERJ6GEYJ104	M 100KOHM, J, 1/10W	1	
R6480	ERJ6GEYJ103	M 10KOHM, J, 1/10W	1	
R6481	ERJ6ENF1001	M 1KOHM, 1/10W	1	
R6482	ERJ6GEYJ472	M 4.7KOHM, J, 1/10W	1	
R6483	ERJ14YJ752	M 75KOHM, J, 1/4W	1	
R6484	ERJ6GEYJ472	M 4.7KOHM, J, 1/10W	1	
R6485, 8 6	ERJ6GEYJ103	M 10KOHM, J, 1/10W	2	
R6487	ERJ6GEYJ472	M 4.7KOHM, J, 1/10W	1	
R6488	ERJ6GEYJ103	M 10KOHM, J, 1/10W	1	
R6489	ERJ6GEYJ472	M 4.7KOHM, J, 1/10W	1	
R6491	ERJ14YJ104	M 100KOHM, J, 1/4W	1	
R6492	ERJ6ENF2003	M 200KOHM, 1/10W	1	
R6493	ERJ6ENF2703	M 270KOHM, 1/10W	1	
R6495, 9 6	ERJ6GEYJ154	M 150KOHM, J, 1/10W	2	
R6497	ERJ6GEYJ103	M 10KOHM, J, 1/10W	1	
R6498, 9 9	ERG2FNJS8R2E	M 8.2 OHM, J, 2W	2	
R6500	ERJ6GEYJ122	M 1.2KOHM, J, 1/10W	1	
R6501- 09	ERJ6GEYJ222	M 2.2KOHM, J, 1/10W	9	
R6510	ERX3FJS2R2D	M 2.2 OHM, J, 3W	1	
R6511	ERJ6GEYJ100	M 10 OHM, J, 1/10W	1	
R6512	ERJ6GEYJ471	M 470 OHM, J, 1/10W	1	
R6513	ERX3FJS2R2D	M 2.2 OHM, J, 3W	1	
R6514	ERJ6GEYJ104	M 100KOHM, J, 1/10W	1	
R6515	ERJ6GEYJ100	M 10 OHM, J, 1/10W	1	
R6516	ERJ6GEYJ471	M 470 OHM, J, 1/10W	1	
R6517	ERJ6GEYJ103	M 10KOHM, J, 1/10W	1	
R6518	TAJAAH0101JV	M 100 OHM, J, 1/16W	1	
R6519	ERJ6GEYJ102	M 1KOHM, J, 1/10W	1	
R6520	ERJ6GEYJ151	M 150 OHM, J, 1/10W	1	
R6521	ERJ6GEYJ104	M 100KOHM, J, 1/10W	1	
R6524	ERJ6ENF3001	M 3KOHM, 1/10W	1	
R6525	ERJ6GEYJ104	M 100KOHM, J, 1/10W	1	
R6526	ERJ6GEYJ470	M 47 OHM, J, 1/10W	1	
R6527	ERJ14YJ102	M 1KOHM, J, 1/4W	1	
R6528	ERJ6GEYJ102	M 1KOHM, J, 1/10W	1	
R6529- 36	ERJ6GEYJ470	M 47 OHM, J, 1/10W	8	
R6538	ERJ6GEYJ102	M 1KOHM, J, 1/10W	1	
R6539	TAJAAH0101JV	M 100 OHM, J, 1/16W	1	
R6540	ERJ6GEYJ104	M 100KOHM, J, 1/10W	1	
R6541	ERJ6GEYJ470	M 47 OHM, J, 1/10W	1	
R6542	ERJ6GEYJ100	M 10 OHM, J, 1/10W	1	
R6544- 46	ERJ6GEYJ100	M 10 OHM, J, 1/10W	3	
R6548	ERJ6GEYJ100	M 10 OHM, J, 1/10W	1	
R6550	ERJ6GEYJ223	M 22KOHM, J, 1/10W	1	
R6551	ERJ6GEYJ101	M 100 OHM, J, 1/10W	1	
R6552, 5 3	ERJ6ENF1003	M 100KOHM, 1/10W	2	
R6554	ERG1FJS101D	M 100 OHM, J, 1W	1	
R6555	ERJ6GEYJ104	M 100KOHM, J, 1/10W	1	
R6556	ERJ6GEYJ122	M 1.2KOHM, J, 1/10W	1	
R6558	ERJ6GEYJ103	M 10KOHM, J, 1/10W	1	

Ref. No.	Part No.	Part Name & Description	Pcs	Remarks
R6559	ERJ6GEYJ222	M 2.2KOHM, J, 1/10W	1	
R6560, 6 1	ERJ6GEYJ470	M 47 OHM, J, 1/10W	2	
R6562	ERJ6GEYJ102	M 1KOHM, J, 1/10W	1	
R6563	ERJ6GEYJ5R6	M 5.6 OHM, J, 1/10W	1	
R6565	ERJ6GEYJ103	M 10KOHM, J, 1/10W	1	
R6566	TAJAAH0101JV	M 100 OHM, J, 1/16W	1	
R6567, 6 8	ERJ6GEYJ472	M 4.7KOHM, J, 1/10W	2	
R6570	ERJ6GEYJ103	M 10KOHM, J, 1/10W	1	
R6571- 78	ERJ6GEYJ471	M 470 OHM, J, 1/10W	8	
R6580	ERJ6GEYJ103	M 10KOHM, J, 1/10W	1	
R6581	TAJAAH0101JV	M 100 OHM, J, 1/16W	1	
R6582, 8 3	ERJ6ENF3902	M 39KOHM, 1/10W	2	
R6584	ERJ6ENF7501	M 7.5KOHM, 1/10W	1	
R6585	ERJ6GEYJ102	M 1KOHM, J, 1/10W	1	
R6586	ERJ6GEYJ103	M 10KOHM, J, 1/10W	1	
R6587	ERJ6GEYJ152	M 1.5KOHM, J, 1/10W	1	
R6588, 8 9	ERJ6GEYJ103	M 10KOHM, J, 1/10W	2	
R6590	ERJ6GEYJ222	M 2.2KOHM, J, 1/10W	1	
R6591	ERJ6GEYJ152	M 1.5KOHM, J, 1/10W	1	
R6592, 9 3	ERJ6GEYJ105	M 1MOHM, J, 1/10W	2	
R6594	ERJ14YJ104	M 100KOHM, J, 1/4W	1	
R6595	ERJ6ENF1432	M 14.3KOHM, 1/10W	1	
R6596	ERJ6ENF5231	M 5.23KOHM, 1/10W	1	
R6598	ERJ6GEYJ103	M 10KOHM, J, 1/10W	1	
R6599, 0 0	ERJ6GEYJ101	M 100 OHM, J, 1/10W	2	
R6604	ERJ6GEYJ101	M 100 OHM, J, 1/10W	1	
R6605- 07	ERJ6GEYJ224	M 220KOHM, J, 1/10W	3	
R6608, 0 9	ERJ12YJ1R0	M 1 OHM, J, 1/2W	2	
R6610	ERJ6GEYJ104	M 100KOHM, J, 1/10W	1	
R6611- 14	ERJ14YJ150U	M 15 OHM, J, 1/4W	4	
R6615	ERJ6GEYJ332	M 3.3KOHM, J, 1/10W	1	
R6616	ERDS1FJ221	C 220 OHM, J, 1/2W	1	
R6617, 1 8	ERJ6GEYJ222	M 2.2KOHM, J, 1/10W	2	
R6619, 2 0	ERJ14YJ150U	M 15 OHM, J, 1/4W	2	
R6621	ERJ6ENF1543	M 154KOHM, 1/10W	1	
R6622, 2 3	ERJ6GEYJ103	M 10KOHM, J, 1/10W	2	
R6624	ERJ6GEYJ100	M 10 OHM, J, 1/10W	1	
R6625	ERJ6GEYJ103	M 10KOHM, J, 1/10W	1	
R6626	ERJ6GEYJ100	M 10 OHM, J, 1/10W	1	
R6627, 2 8	TAJAAH0101JV	M 100 OHM, J, 1/16W	2	
R6629	ERJ6ENF2202	M 2.2KOHM, 1/10W	1	
R6630	ERJ14YJ204	M 200KOHM, J, 1/4W	1	
R6635- 38	ERJ14YJ150U	M 15 OHM, J, 1/4W	4	
R6641, 4 2	ERJ14YJ5R6U	M 6.2OHM, 1/4W	2	
R6643, 4 4	ERJ14YJ150U	M 15 OHM, J, 1/4W	2	
R6645, 4 6	ERJ6GEYJ151	M 150 OHM, J, 1/10W	2	
R6647, 4 8	ERJ14YJ5R6U	M 6.2OHM, 1/4W	2	
R6649	EXB38V680J	RESISTOR ARRAY	1	
R6653	EXB38V680J	RESISTOR ARRAY	1	
R6655	ERJ6GEYJ101	M 100 OHM, J, 1/10W	1	
R6656	ERJ6GEYJ104	M 100KOHM, J, 1/10W	1	
R6659, 6 0	TAJAAH0101JV	M 100 OHM, J, 1/16W	2	
R6661, 6 2	ERJ6GEYJ151	M 150 OHM, J, 1/10W	2	
R6663	EXB38V472J	RESISTOR ARRAY	1	
R6664	EXB38V470J	RESISTOR ARRAY	1	

Ref. No.	Part No.	Part Name & Description	Pcs	Remarks
R6667, 68	ERJ6GEYJ151	M 150 OHM, J, 1/10W	2	
R6669	EXB38V472J	RESISTOR ARRAY	1	
R6670	EXB38V470J	RESISTOR ARRAY	1	
R6675	EXB38V472J	RESISTOR ARRAY	1	
R6676	EXB38V470J	RESISTOR ARRAY	1	
R6683	EXB38V470J	RESISTOR ARRAY	1	
R6686	EXB38V472J	RESISTOR ARRAY	1	
R6696	ERJ6GEYJ103	M 10KOHM, J, 1/10W	1	
R6699	ERJ6GEYJ103	M 10KOHM, J, 1/10W	1	
R6901	ERJ6GEYJ101	M 100 OHM, J, 1/10W	1	
R6902-04	ERJ6GEYJ221	M 220 OHM, J, 1/10W	3	
R6910, 11	ERJ6GEYJ104	M 100KOHM, J, 1/10W	2	
R6912	ERJ6GEYJ472	M 4.7KOHM, J, 1/10W	1	
R6913	ERJ6GEYJ224	M 220KOHM, J, 1/10W	1	
R6920-23	ERJ6GEYJ103	M 10KOHM, J, 1/10W	4	
R6924	ERJ6GEYJ224	M 220KOHM, J, 1/10W	1	
R6955	ERJ6GEYJ101	M 100 OHM, J, 1/10W	1	
R6956-58	ERJ6GEYJ221	M 220 OHM, J, 1/10W	3	
R6959	ERJ6GEYJ224	M 220KOHM, J, 1/10W	1	
R6975-78	ERJ6GEYJ103	M 10KOHM, J, 1/10W	4	
R6979	ERJ6GEYJ224	M 220KOHM, J, 1/10W	1	
R7102, 03	ERJ14YJ220	M 22 OHM, J, 1/4W	2	
R7104	ERJ6GEYJ103	M 10KOHM, J, 1/10W	1	
R7105	TAJAAH0470JV	M 47 OHM, J, 1/16W	1	
R7106, 07	ERJ14YJ220	M 22 OHM, J, 1/4W	2	
R7110, 11	ERJ14YJ220	M 22 OHM, J, 1/4W	2	
R7117	ERJ6GEYJ224	M 220KOHM, J, 1/10W	1	
R7121-23	ERJ8GEY0R00	M 0 OHM, 1/8W	3	
R7125	ERJ6GEYJ102	M 1KOHM, J, 1/10W	1	
R7126-28	TAJAAH0470JV	M 47 OHM, J, 1/16W	3	
R7130	ERJ3GEY0R00	M 0 OHM, 1/16W	1	
R7132-35	ERJ3GEY0R00	M 0 OHM, 1/16W	4	
R7136-41	ERJ14YJ220	M 22 OHM, J, 1/4W	6	
R7142-46	EXB38V470J	RESISTOR ARRAY	5	
R7161	ERJ6GEY0R00	M 0 OHM, 1/10W	1	
R7162, 63	TAJAAH0470JV	M 47 OHM, J, 1/16W	2	
R7166, 67	TAJAAH0470JV	M 47 OHM, J, 1/16W	2	
R7170, 71	TAJAAH0470JV	M 47 OHM, J, 1/16W	2	
R7175-77	ERJ6GEY0R00	M 0 OHM, 1/10W	3	
R7187	ERJ6GEYJ223	M 220KOHM, J, 1/10W	1	
R7188	ERJ6GEYJ104	M 100KOHM, J, 1/10W	1	
R7192	ERJ6GEY0R00	M 0 OHM, 1/10W	1	
R7194	ERJ6GEY0R00	M 0 OHM, 1/10W	1	
R7196, 97	ERJ3GEY0R00	M 0 OHM, 1/16W	2	
R7202, 03	ERJ14YJ220	M 22 OHM, J, 1/4W	2	
R7204	ERJ3GEYJ560	M 56 OHM, J, 1/16W	1	
R7206, 07	ERJ14YJ220	M 22 OHM, J, 1/4W	2	
R7210, 11	ERJ14YJ220	M 22 OHM, J, 1/4W	2	
R7214, 15	ERJ14YJ220	M 22 OHM, J, 1/4W	2	
R7217	ERJ6GEYJ224	M 220KOHM, J, 1/10W	1	
R7218-21	ERJ8GEY0R00	M 0 OHM, 1/8W	4	
R7225	ERJ6GEYJ102	M 1KOHM, J, 1/10W	1	
R7226-29	TAJAAH0470JV	M 47 OHM, J, 1/16W	4	

Ref. No.	Part No.	Part Name & Description	Pcs	Remarks
R7230	ERJ3GEY0R00	M 0 OHM, 1/16W	1	
R7232	ERJ3GEY0R00	M 0 OHM, 1/16W	1	
R7233-40	ERJ14YJ220	M 22 OHM, J, 1/4W	8	
R7241, 42	EXB38V470J	RESISTOR ARRAY	2	
R7243-46	ERJ3GEY0R00	M 0 OHM, 1/16W	4	
R7247	ERJ6GEY0R00	M 0 OHM, 1/10W	1	
R7248	ERJ6GEYJ103	M 10KOHM, J, 1/10W	1	
R7249, 50	EXB38V470J	RESISTOR ARRAY	2	
R7251-53	TAJAAH0470JV	M 47 OHM, J, 1/16W	3	
R7254	ERJ6GEYJ223	M 220KOHM, J, 1/10W	1	
R7255	ERJ6GEYJ104	M 100KOHM, J, 1/10W	1	
R7257, 58	EXB38V470J	RESISTOR ARRAY	2	
R7259-65	ERJ6GEY0R00	M 0 OHM, 1/10W	7	
R7289, 90	TAJAAH0470JV	M 47 OHM, J, 1/16W	2	
R7293	TAJAAH0470JV	M 47 OHM, J, 1/16W	1	
R7296, 97	TAJAAH0470JV	M 47 OHM, J, 1/16W	2	
R7298, 99	ERJ3GEY0R00	M 0 OHM, 1/16W	2	
R9002	ERJ3GEYJ103	M 10KOHM, J, 1/16W	1	
R9004-06	ERJ3GEYJ103	M 10KOHM, J, 1/16W	3	
R9007	ERJ3GEYJ102	M 1KOHM, J, 1/16W	1	
R9009	ERJ3GEYJ103	M 10KOHM, J, 1/16W	1	
R9010	EXB2HV272JV	RESISTOR ARRAY	1	
R9012	EXB2HV272JV	RESISTOR ARRAY	1	
R9013	ERJ3GEYJ103	M 10KOHM, J, 1/16W	1	
R9015-18	ERJ3GEYJ103	M 10KOHM, J, 1/16W	4	
R9019	ERJ3GEY0R00	M 0 OHM, 1/16W	1	
R9020, 21	ERJ3GEYJ102	M 1KOHM, J, 1/16W	2	
R9022	ERJ6ENF1001	M 1KOHM, 1/10W	1	
R9023	ERJ6ENF1601	M 1.6KOHM, 1/10W	1	
R9024	ERJ6GEY0R00	M 0 OHM, 1/10W	1	
R9026	ERJ3GEYJ100	M 10 OHM, J, 1/16W	1	
R9028	ERJ3GEYJ332	M 3.3KOHM, J, 1/16W	1	
R9029, 30	ERJ3GEYJ220	M 22 OHM, J, 1/16W	2	
R9031, 32	ERJ3GEYJ562	M 5.6KOHM, J, 1/16W	2	
R9033, 34	ERJ3GEYJ103	M 10KOHM, J, 1/16W	2	
R9035, 36	ERJ6GEY0R00	M 0 OHM, 1/10W	2	
R9039	TAJAAH0101JV	M 100 OHM, J, 1/16W	1	
R9040	ERJ3GEYJ100	M 10 OHM, J, 1/16W	1	
R9041	ERJ3GEYJ472	M 4.7KOHM, J, 1/16W	1	
R9042	ERJ3GEYJ102	M 1KOHM, J, 1/16W	1	
R9043, 44	TAJAAH0101JV	M 100 OHM, J, 1/16W	2	
R9045	ERJ3GEYJ102	M 1KOHM, J, 1/16W	1	
R9046	ERJ3GEYJ123	M 12KOHM, J, 1/16W	1	
R9047-50	TAJAAH0101JV	M 100 OHM, J, 1/16W	4	
R9052	ERJ3GEYJ103	M 10KOHM, J, 1/16W	1	
R9053	ERJ3GEYJ472	M 4.7KOHM, J, 1/16W	1	
R9054, 55	ERJ3GEYJ272	M 2.7KOHM, J, 1/16W	2	
R9056, 57	ERJ3GEYJ220	M 22 OHM, J, 1/16W	2	
R9058, 59	ERJ3GEYJ562	M 5.6KOHM, J, 1/16W	2	
R9060-67	TAJAAH0101JV	M 100 OHM, J, 1/16W	8	
R9068-72	ERJ3GEYJ103	M 10KOHM, J, 1/16W	5	
R9073	EXB2HV470JV	RESISTOR ARRAY	1	
R9074	TAJAAH0101JV	M 100 OHM, J, 1/16W	1	
R9075	EXB2HV470JV	RESISTOR ARRAY	1	

Ref. No.	Part No.	Part Name & Description	Pcs	Remarks
R9076	TAJAAH0101JV	M 100 OHM,J,1/16W	1	
R9077-79	ERJ3GEY0R00	M 0 OHM, 1/16W	3	
R9080	ERJ3GEYJ223	M 22KOHM,J,1/16W	1	
R9081	ERJ3GEYJ103	M 10KOHM,J,1/16W	1	
R9082-89	TAJAAH0101JV	M 100 OHM,J,1/16W	8	
R9090	ERJ3GEYJ562	M 5.6KOHM,J,1/16W	1	
R9091,92	ERJ3GEYJ103	M 10KOHM,J,1/16W	2	
R9093	ERJ3GEYJ473	M 47KOHM,J,1/16W	1	
R9094	ERJ6GEY0R00	M 0 OHM, 1/10W	1	
R9095-98	ERJ3GEYJ103	M 10KOHM,J,1/16W	4	
R9102-04	TAJAAH0101JV	M 100 OHM,J,1/16W	3	
R9105	ERJ3GEYJ103	M 10KOHM,J,1/16W	1	
R9107-09	ERJ3GEYJ393	M 39KOHM,J,1/16W	3	
R9110	ERJ3GEYJ103	M 10KOHM,J,1/16W	1	
R9111,12	ERJ3GEY0R00	M 0 OHM, 1/16W	2	
R9113	ERJ3GEYJ103	M 10KOHM,J,1/16W	1	
R9114-16	ERJ3GEY0R00	M 0 OHM, 1/16W	3	
R9117,18	EXB38VR000	RESISTOR ARRAY	2	
R9119	ERJ3GEY0R00	M 0 OHM, 1/16W	1	
R9120,21	TAJAAH0101JV	M 100 OHM,J,1/16W	2	
R9122-24	ERJ3GEYJ103	M 10KOHM,J,1/16W	3	
R9125,26	ERJ3GEYJ102	M 1KOHM,J,1/16W	2	
R9127,28	ERJ3GEYJ103	M 10KOHM,J,1/16W	2	
R9130	ERJ3GEYJ103	M 10KOHM,J,1/16W	1	
R9131-33	ERJ3GEYJ472	M 4.7KOHM,J,1/16W	3	
R9134-36	TAJAAH0101JV	M 100 OHM,J,1/16W	3	
R9137	ERJ3GEYJ472	M 4.7KOHM,J,1/16W	1	
R9140-42	ERJ3GEYJ103	M 10KOHM,J,1/16W	3	
R9145-47	ERJ3GEYJ103	M 10KOHM,J,1/16W	3	
R9160,61	ERJ3GEYJ220	M 22 OHM,J,1/16W	2	
R9162,63	ERJ3GEYJ562	M 5.6KOHM,J,1/16W	2	
R9164,65	TAJAAH0101JV	M 100 OHM,J,1/16W	2	
R9200-02	TAJAAH0470JV	M 47 OHM,J,1/16W	3	
R9204	TAJAAH0470JV	M 47 OHM,J,1/16W	1	
R9205	ERJ3GEYJ103	M 10KOHM,J,1/16W	1	
R9208	ERJ3GEYJ103	M 10KOHM,J,1/16W	1	
R9210	ERJ3GEYJ103	M 10KOHM,J,1/16W	1	
R9212	ERJ3GEY0R00	M 0 OHM, 1/16W	1	
R9300-04	D1HG33080001	NETWORK RESISTER	5	
R9305	ERJ3GEYJ103	M 10KOHM,J,1/16W	1	
R9306,07	D1HG33080001	NETWORK RESISTER	2	
R9308	ERJ3GEYJ102	M 1KOHM,J,1/16W	1	
R9309	ERJ3GEYJ472	M 4.7KOHM,J,1/16W	1	
R9313-16	ERJ3GEY0R00	M 0 OHM, 1/16W	4	
R9318,19	ERJ3GEY0R00	M 0 OHM, 1/16W	2	
R9321	ERJ6GEY0R00	M 0 OHM, 1/10W	1	
R9322	ERJ3GEY0R00	M 0 OHM, 1/16W	1	
R9323	ERJ3GEYJ102	M 1KOHM,J,1/16W	1	
R9324-28	ERJ3GEY0R00	M 0 OHM, 1/16W	5	
R9329	ERJ3GEYJ103	M 10KOHM,J,1/16W	1	
R9330-33	ERJ3GEY0R00	M 0 OHM, 1/16W	4	

Ref. No.	Part No.	Part Name & Description	Pcs	Remarks
R9335,36	ERJ3GEYJ472	M 4.7KOHM,J,1/16W	2	
R9337	ERJ6GENF1101	M 1.1KOHM, 1/10W	1	
R9338	ERJ6GENF1401	M 1.4KOHM, 1/10W	1	
R9339-42	ERJ6GENF1001	M 1KOHM, 1/10W	4	
R9500-03	ERJ3GEYJ103	M 10KOHM,J,1/16W	4	
R9505-10	TAJAAH0101JV	M 100 OHM,J,1/16W	6	
R9511	EXB2HV272JV	RESISTOR ARRAY	1	
R9512	ERJ3GEYJ103	M 10KOHM,J,1/16W	1	
R9513	EXB2HV272JV	RESISTOR ARRAY	1	
R9515	EXB2HV272JV	RESISTOR ARRAY	1	
R9516,17	ERJ3GEYJ103	M 10KOHM,J,1/16W	2	
R9518	EXB2HV470JV	RESISTOR ARRAY	1	
R9519-21	EXB38V470J	RESISTOR ARRAY	3	
R9522,23	EXB2HV470JV	RESISTOR ARRAY	2	
R9524-26	TAJAAH0470JV	M 47 OHM,J,1/16W	3	
R9527	EXB38V470J	RESISTOR ARRAY	1	
R9528,29	TAJAAH0470JV	M 47 OHM,J,1/16W	2	
R9531	ERJ3GEYJ103	M 10KOHM,J,1/16W	1	
R9533,34	ERJ3GEYJ103	M 10KOHM,J,1/16W	2	
R9536	TAJAAH0680JV	M 68 OHM,J,1/16W	1	
R9537,38	ERJ3GEYJ103	M 10KOHM,J,1/16W	2	
R9540	ERJ3GEYJ304V	M 300KOHM,J,1/16W	1	
R9544	ERJ3GEYJ103	M 10KOHM,J,1/16W	1	
R9547	ERJ3GEY0R00	M 0 OHM, 1/16W	1	
R9700	ERJ3GEY0R00	M 0 OHM, 1/16W	1	
R9702-04	ERJ3GEYJ103	M 10KOHM,J,1/16W	3	
R9706,07	ERJ6GENF1001	M 1KOHM, 1/10W	2	
R9708	ERJ6GEY0R00	M 0 OHM, 1/10W	1	
R9709	TAJAAH0101JV	M 100 OHM,J,1/16W	1	
R9714	ERJ3GEY0R00	M 0 OHM, 1/16W	1	
R9716,17	ERJL14KJ33M	M 33 OHM, J,1/4W	2	
R9718	ERJ6GENF2002	M 20KOHM, 1/10W	1	
R9719	ERJ6GENF1742	M17.4KOHM, 1/10W	1	
R9720	ERJ6GENF6342	M6.34KOHM, 1/10W	1	
R9721	ERJ6GENF2002	M 20KOHM, 1/10W	1	
R9722,23	ERJ3GEYJ100	M 10 OHM,J,1/16W	2	
R9724	TAJAAH0101JV	M 100 OHM,J,1/16W	1	
R9725	ERJ3GEYJ104	M 100KOHM,J,1/16W	1	
R9726,27	ERJ3GEYJ100	M 10 OHM,J,1/16W	2	
R9728,29	ERJ6GENF2002	M 20KOHM, 1/10W	2	
R9738,39	ERJ3GEY0R00	M 0 OHM, 1/16W	2	
R9740-42	ERJ6GEY0R00	M 0 OHM, 1/10W	3	
R9824	ERJ3GEYJ103	M 10KOHM,J,1/16W	1	
R9830	EXB2HV470JV	RESISTOR ARRAY	1	
R9900	ERJ3GEYJ472	M 4.7KOHM,J,1/16W	1	
R9901	ERJ3GEYJ103	M 10KOHM,J,1/16W	1	
R9902	ERJ3GEYJ104	M 100KOHM,J,1/16W	1	
R9903	ERJ3GEYJ472	M 4.7KOHM,J,1/16W	1	
R9904	ERJ3GEYJ103	M 10KOHM,J,1/16W	1	
R9905	ERJ3GEYJ104	M 100KOHM,J,1/16W	1	
R9906	EXB2HV470JV	RESISTOR ARRAY	1	
R9907	ERJ3GEYJ220	M 22 OHM,J,1/16W	1	
R9908,09	EXB38V470J	RESISTOR ARRAY	2	
R9910,11	ERJ3GEYJ220	M 22 OHM,J,1/16W	2	
R9912	EXB2HV470JV	RESISTOR ARRAY	1	
R9913	ERJ3GEYJ220	M 22 OHM,J,1/16W	1	

Ref. No.	Part No.	Part Name & Description	Pcs	Remarks
R9914	EXB38V470J	RESISTOR ARRAY	1	
R9915,16	ERJ3GEYJ220	M 22 OHM, J, 1/16W	2	
R9917-19	EXB2HV470JV	RESISTOR ARRAY	3	
R9922	EXB2HV470JV	RESISTOR ARRAY	1	
R9923	ERJ3GEYJ103	M 10KOHM, J, 1/16W	1	
RM2510	PNA4601M05TV	REMOCO RECEIVER	1	
RTL	TNPA3523AE	CIRCUIT BOARD H	1	△
RTL	TNPA3620AB	CIRCUIT BOARD PA	1	△
RTL	TNPA3621AE	CIRCUIT BOARD Z	1	△
RTL	TNPA3519AK	CIRCUIT BOARD DG	1	TH-37PA50H △
RTL	TZTNP01YFSM	CIRCUIT BOARD DG	1	TH-37PA50M △
RTL	TNPA3524	CIRCUIT BOARD TB	1	△
RTL	TNPA3541	CIRCUIT BOARD C1	1	△
RTL	TNPA3542	CIRCUIT BOARD C2	1	△
RTL	TZTNP010YFS	CIRCUIT BOARD D	1	△
RTL	TNPA3570	CIRCUIT BOARD P	1	△
RTL	TNPA3643AB	CIRCUIT BOARD PB	1	△
RTL	TNPA3543AB	CIRCUIT BOARD SC	1	△
RTL	TNPA3233	CIRCUIT BOARD SD	1	△
RTL	TNPA3544AB	CIRCUIT BOARD SS	1	△
RTL	TNPA3232	CIRCUIT BOARD SU	1	△
RTL	TXN/K1YFSA	CIRCUIT BOARD K	1	△
RTL	TNPA3604AB	CIRCUIT BOARD S	1	△
S1	K1KA03AA0193	3P CONNECTOR	1	
SC2	K1KA06AA0192	6P CONNECTOR	1	
SC20	K1KA20AA0008	20P CONNECTOR	1	
SC23	K1KA03AA0193	3P CONNECTOR	1	
SC30	K1KA03AA0193	3P CONNECTOR	1	
SC41, 42	K1ML80BA0001	80P CONNECTOR	2	
SC45, 46	K1KA10A00431	10P CONNECTOR	2	
SD1-D3	K1MN80B00004	80P CONNECTOR	3	
SD46	K1KA10B00209	10P CONNECTOR	1	
SS11	K1KA07AA0192	7P CONNECTOR	1	
SS12	K1KA05AA0192	5P CONNECTOR	1	
SS23	K1KA12AA0194	12P CONNECTOR	1	
SS34	K1KA03AA0193	3P CONNECTOR	1	
SS41A-4A	K1MN13B00020	13P CONNECTOR	4	
SU1-U3	K1MN80B00004	80P CONNECTOR	3	
SU45	K1KA10B00209	10P CONNECTOR	1	
SW2500	KOF162B00002	SWITCH	1	
SW3751-55	EVQ11G05R	SWITCH	5	
T6461	ETS13TB139AP	SWITCHING TRANS	1	
T6471	ETS19AA259AC	SWITCHING TRANS	1	
TB5, B6	K1KB15B00013	15P CONNECTOR	2	
TU001	ENG9301GF	TUNER	1	△
TU002	ENG39A01GF	TUNER	1	△
VR6074	EVMEASA00B14	CONTROL 10KOHMB 0.3W	1	
VR6477	EVMEASA00B23	CONTROL 2KOHMB 0.3W	1	
VR6557	EVMEASA00B14	CONTROL 10KOHMB 0.3W	1	
X1101	H0J600400006	CRYSTAL	1	
X2101	TSSA128	CRYSTAL	1	
X4001	H0J202500016	CRYSTAL	1	
X4002	H0J270500087	CRYSTAL	1	
X9000	H2D2705A0004	CRYSTAL	1	

Ref. No.	Part No.	Part Name & Description	Pcs	Remarks
X9200	H0J200500038	CRYSTAL	1	
Z2	K1KA05AA0192	5P CONNECTOR	1	
Z50	K1MN35A00013	35P CONNECTOR	1	
ZA5601-04	K9ZZ00000424	CONNECTOR	4	
ZA5801-04	K9ZZ00000424	CONNECTOR	4	
ZA6002	K4CD01000013	TERMINAL	1	
ZA6004	K4CD01000013	TERMINAL	1	
ZA6601-03	K4CD01000013	TERMINAL	3	
ZA7101	K4CD01000013	TERMINAL	1	
ZA7103	K4CD01000013	TERMINAL	1	
ZA7201	K4CD01000013	TERMINAL	1	
ZA7203	K4CD01000013	TERMINAL	1	
ZA9001	K4CD01000013	TERMINAL	1	
ZMM1	TMM25401	CLAMPER	1	
C402	ECJ2XC1H101J	C 100PF, J, 50V	1	
C403	ECKCNA222MEB	C 2200PF, M	1	△
C404	F0CAF105A021	C 1UF, 250V	1	△
C405	ECJ2XB1H103K	C 0.01UF, K, 50V	1	
C407	ECA2WHG220	E 22UF, 450V	1	
C409	F0CAF105A021	C 1UF, 250V	1	△
C410	ECJ3YB1E105K	C 1UF, K, 25V	1	
C411-14	ECJ2XB1H103K	C 0.01UF, K, 50V	4	
C415, 16	F1A3A102A040	C 1000PF, J, 1KV	2	
C417	ECJ2XB1H103K	C 0.01UF, K, 50V	1	
C418	F1J1C1050011	C 1UF, Z, 50V	1	
C419	F1A3A102A040	C 1000PF, J, 1KV	1	
C421, 22	ECJ2XB1H103K	C 0.01UF, K, 50V	2	
C423	ECJ2XB1H472K	C 4700PF, K, 50V	1	
C424	F1A3A102A040	C 1000PF, J, 1KV	1	
C425	ECJ2XB1H103K	C 0.01UF, K, 50V	1	
C426	ECJ2XC1H471J	C 470PF, J, 50V	1	
C427	F1J1C1050011	C 1UF, Z, 50V	1	
C428	ECJ2XC1H221J	C 220PF, J, 50V	1	
C429, 30	F1K2J1530002	C 0.15PF, J, 630V	2	
C431	ECJ2XB1H102K	C 1000PF, K, 50V	1	
C432-34	F1J1C1050011	C 1UF, Z, 50V	3	
C436	F1J1C1050011	C 1UF, Z, 50V	1	
C440	ECA1HM100	E 10UF, 50V	1	
C443, 44	F1A3A102A040	C 1000PF, J, 1KV	2	
C445	F1J1C1050011	C 1UF, Z, 50V	1	
C446	F2B2W3910005	C 390UF, 450V	1	
C451	F1A3A101A040	C 100PF, J, 1KV	1	
C457	ECWH12333RHV	P 0.013UF, J, 1.2KV	1	
C459	F1K2J1530002	C 0.15PF, J, 630V	1	
C460, 61	F1A3A331A039	E 330UF, 1KV	2	
C462	ECJ3YB1E105K	C 1UF, K, 25V	1	
C463	ECJ2XC1H220J	C 22UF, J, 50V	1	
C465	ECKCNA221KB7	C 220PF, M,	1	△
C467	ECKCNA221KB7	C 220PF, M,	1	△
C468	ECJ2XB1H103K	C 0.01UF, K, 50V	1	
C470	F0CAF105A021	C 1UF, 250V	1	△
C471	F1J1C1050011	C 1UF, Z, 50V	1	
C473	ECKCNA221KB7	C 220PF, M,	1	△
C476	ECKCNA221KB7	C 220PF, M,	1	△
C482	ECJ2XB1H104K	C 0.1UF, K, 50V	1	
C490	ECJ2XC1H331J	C 330PF, J, 50V	1	
C491	ECJ2XB1E104K	C 0.1UF, K, 25V	1	
C492	ECJ2XC1H271J	C 270PF, J, 50V	1	
C493	ECA1EM101	E 100UF, 25V	1	
C494, 95	ECJ2XC1H101J	C 100PF, J, 50V	2	
C496	F1J1C1050011	C 1UF, Z, 50V	1	
C497	ECA1EM221	E 220UF, 25V	1	
C498	ECJ2XB1H104K	C 0.1UF, K, 50V	1	
C501-03	ECJ2XB1H103K	C 0.01UF, K, 50V	3	
C504	F1J1C1050011	C 1UF, Z, 50V	1	
C505	ECJ2XB1H102K	C 1000PF, K, 50V	1	
C506-08	ECJ2XB1H103K	C 0.01UF, K, 50V	3	



Ref. No.	Part No.	Part Name & Description	Pcs	Remarks
C509	ECA1EM101	E 100UF, 25V	1	
C510	ECJ2XB1H104K	C 0.1UF, K, 50V	1	
C511	ECA1EM331	E 330UF, 25V	1	
C512-14	ECJ2XC1H471J	C 470PF, J, 50V	3	
C515	ECA1CM222	E 2200UF, 16V	1	
C516	ECJ2XB1C474K	C 0.47UF, K, 16V	1	
C517	F2D1E1010001	E 10UF, 25V	1	
C518,19	F1J1C1050011	C 1UF, Z, 50V	2	
C523	ECJ3YB1E105K	C 1UF, K, 25V	1	
C525	F2A1E8210012	E 820UF, 25V	1	
C526	ECJ2XB1H104K	C 0.1UF, K, 50V	1	
C527	ECJ3YB1E475K	C 4.7UF, K, 25V	1	
C528,29	F1J1C1050011	C 1UF, Z, 50V	2	
C530	ECJ2VB1H333K	C 0.033UF, K, 50V	1	
C533	ECJ2XB1H103K	C 0.01UF, K, 50V	1	
C534	ECJ2XC1H471J	C 470PF, J, 50V	1	
C546,47	ECJ2VB1H333K	C 0.033UF, K, 50V	2	
C548	ECJ2XB1H104K	C 0.1UF, K, 50V	1	
C551-53	ECJ2XB1H104K	C 0.1UF, K, 50V	3	
C554	F1J1C1050011	C 1UF, Z, 50V	1	
C555	ECA2AM101	E 100UF, 100V	1	
C556	F2A1C1520009	E 1500UF, 16V	1	
C557	F2A1E1520089	E 1500UF, 25V	1	
C562	ECJ2XB1H104K	C 0.1UF, K, 50V	1	
C572	ECJ2XB1H104K	C 0.1UF, K, 50V	1	
C574	ECJ2XB1H104K	C 0.1UF, K, 50V	1	
C577	ECA2AM330	E 33UF, 100V	1	
C581	ECJ2XB1H223K	C 0.022UF, K, 50V	1	
C583	ECJ2XB1H102K	C 1000PF, K, 50V	1	
C584	ECJ2XB1H223K	C 0.022UF, K, 50V	1	
C587	ECJ2XB1H103K	C 0.01UF, K, 50V	1	
C591,92	F1K2J1530002	C 0.15PF, J, 630V	2	
C601	ECJ2XB1H103K	C 0.01UF, K, 50V	1	
C603	ECA1HM470	E 47UF, 50V	1	
C604,05	F2A2C1510004	E 150UF, 160V	2	
C606,07	F1J1C1050011	C 1UF, Z, 50V	2	
C608,09	ECJ2XB1H103K	C 0.01UF, K, 50V	2	
C610	F1J1C1050011	C 1UF, Z, 50V	1	
C611	F2B2D172001	E 1700UF,@ 200V	1	
C612	ECJ2XB1H103K	C 0.01UF, K, 50V	1	
C615	F2B2D1720001	E 1700UF,@ 200V	1	
C616	F1A3A102A040	C 1000PF, J, 1KV	1	
C619	ECJ2XB1H104K	C 0.1UF, K, 50V	1	
C620	ECJ2XB1H103K	C 0.01UF, K, 50V	1	
C623	ECA1HM100	E 10UF, 50V	1	
C624	ECJ3YB1E105K	C 1UF, K, 25V	1	
C626	ECJ2XB1H103K	C 0.01UF, K, 50V	1	
C629	ECJ2XB1H103K	C 0.01UF, K, 50V	1	
C631	ECJ2XB1H103K	C 0.01UF, K, 50V	1	
C633	ECJ2XB1H103K	C 0.01UF, K, 50V	1	
C634	ECJ2XB1H102K	C 1000PF, K, 50V	1	
C635	ECJ2XB1H103K	C 0.01UF, K, 50V	1	
C636	F1J1C1050011	C 1UF, Z, 50V	1	
C637	ECJ2XB1H104K	C 0.1UF, K, 50V	1	
C638,39	ECJ2XB1H103K	C 0.01UF, K, 50V	2	
C640	ECJ2XB1H104K	C 0.1UF, K, 50V	1	
C641	ECJ2XB1H102K	C 1000PF, K, 50V	1	
C643	ECA1HM470	E 47UF, 50V	1	
C646,47	ECJ2XC1H331J	C 330PF, J, 50V	2	
D401	B0FBAT000006	DIODE	1	
D402	MA4240MTA	ZENER DIODE	1	
D403	MA4051NM	ZENER DIODE	1	
D404	B0EBKT000007	DIODE	1	
D406	MA4200M	ZENER DIODE	1	
D407	MA188	DIODE	1	
D410	MA111	DIODE	1	
D411	B0BB17000010	DIODE	1	
D412-14	MA111	DIODE	3	
D415	B0JAME000081	DIODE	1	
D417	RU30A	DIODE	1	
D418	MA4082M	ZENER DIODE	1	
D419,20	RU30A	DIODE	2	

Ref. No.	Part No.	Part Name & Description	Pcs	Remarks
D423	MA188	DIODE	1	
D425	MA188	DIODE	1	
D427-29	ERA15-10	DIODE	3	
D431	B0JCDD000002	DIODE	1	
D433	MA4150M	ZENER DIODE	1	
D434	MA4082M	ZENER DIODE	1	
D435	ERA15-10	DIODE	1	
D436	MA188	DIODE	1	
D437	MA4082M	ZENER DIODE	1	
D438	MA4150M	ZENER DIODE	1	
D439	MA4130HTA	ZENER DIODE	1	
D440	MA4300M	ZENER DIODE	1	
D441	B0HAMM000122	DIODE	1	
D442	MA4075M	ZENER DIODE	1	
D443	MA4240MTA	ZENER DIODE	1	
D444	B0HAMM000122	DIODE	1	
D445	MA165	DIODE	1	
D459	MA188	DIODE	1	
D461	MA4082M	ZENER DIODE	1	
D462	MA142WKTXX	ZENER DIODE	1	
D463-67	ERA15-10	DIODE	5	
D501	B0HANR000016	DIODE	1	
D503,04	MA165	DIODE	2	
D505	B0JAME000081	DIODE	1	
D506	MA4051NM	ZENER DIODE	1	
D507,08	MA4150M	ZENER DIODE	2	
D509,10	B0HANM000028	DIODE	2	
D511	B0HBSM000043	DIODE	1	
D514	MA4062M	ZENER DIODE	1	
D521	B0HAMP000067	DIODE	1	
D528,29	MA153	DIODE	2	
D530	MA4100M	ZENER DIODE	1	
D531,32	B0HAPR000012	DIODE	2	
D534	B0JBSG000026	DIODE	1	
D535	MA188	DIODE	1	
D536	B0JBSL000013	DIODE	1	
D538	MA3051M	ZENER DIODE	1	
D539	B0HBRP000007	DIODE	1	
D542	MA4180HTA	ZENER DIODE	1	
D543	MA4150M	ZENER DIODE	1	
D544,45	MA4180HTA	ZENER DIODE	2	
D549	MA4075M	ZENER DIODE	1	
D551	MA4130M	ZENER DIODE	1	
D552	MA4082M	ZENER DIODE	1	
D555	MA4075M	ZENER DIODE	1	
D559	MA4075M	ZENER DIODE	1	
D563	MA4062M	ZENER DIODE	1	
D564	MAZ72000AF	ZENER DIODE	1	
D565	MA4160M	ZENER DIODE	1	
D566	B0HAMM000122	DIODE	1	
D568	MA3J142D0L	DIODE	1	
D569-71	MA4300M	ZENER DIODE	3	
D572	MA188	DIODE	1	
D574	MA111	DIODE	1	
D575	MA188	DIODE	1	
D579	MA111	DIODE	1	
D582	MAZ705600F	ZENER DIODE	1	
D584	MA4075M	ZENER DIODE	1	
D586	B0HAMP000067	DIODE	1	
D587	MA188	DIODE	1	
IC401	CNC1S171R	IC	1	△
IC402	C0BBAA000038	IC	1	
IC403,04	CNC1S171R	IC	2	△
IC406	C0DAZZZ00021	IC	1	
IC407	C0DBAZZ00111	IC	1	
IC408,09	CNC1S171R	IC	2	△
IC411	C0BBAA000038	IC	1	
IC412	CNC1S171R	IC	1	△
IC501	C2ABDD000064	IC	1	
IC502	C0EBH0000190	IC	1	

Ref. No.	Part No.	Part Name & Description	Pcs	Remarks
IC503,04	C0DAEMB00004	IC	2	
IC505	CNC1S171R	IC	1	
IC506	COZBZ0000878	IC	1	
IC507	C0CBABE00023	IC	1	
IC509	C0DABZZ00010	IC	1	
IC512	C0DAEMB00004	IC	1	
IC520	C9ZB00000496	IC	1	
L402	EXCELSA24	BEAD CHOKE	1	
L403	EXCELSA35	BEAD CHOKE	1	
L404,05	G0B123K00003	INDUCTION COIL	2	△
L501	EXCELSA35	BEAD CHOKE	1	
L502	TALL08N102JA	INDUCTION COIL	1	
L506	EXCELR25C	BEAD CHOKE	1	
L509	JOJBC0000032	CHIP INDUCTOR	1	
L510	EXCELR25C	BEAD CHOKE	1	
P2	K1KA06AA0479	6P CONNECTOR	1	
P5	K1KA11AA0183	11P CONNECTOR	1	
P9	K1KA03AA00537	3P CONNECTOR	1	
P10	K1KA06AA0182	6P CONNECTOR	1	
P11	K1KA07AA0192	7P CONNECTOR	1	
P12	K1KA05AA0192	5P CONNECTOR	1	
P23	K1KA03AA0182	3P CONNECTOR	1	
P25	K1KA20AA0178	20P CONNECTOR	1	
P30	K1KA05AA0182	5P CONNECTOR	1	
PR401	K5Y502BA0001	FUSE	1	
PR402	K5G202B00015	FUSE	1	
PR501	K5H502Z00003	FUSE	1	
PR503	K5H502Z00003	FUSE	1	
PR509	K5H501Z00005	FUSE	1	
PR601	K5G312B00012	FUSE	1	
Q401	B1CHND000004	TRANSISTOR	1	
Q403	B1CBGD000001	TRANSISTOR	1	
Q404	B1BCCF000022	TRANSISTOR	1	
Q406	B1DEHQ000007	TRANSISTOR	1	
Q407	XN4601	TRANSISTOR	1	
Q408,09	B1CHND000004	TRANSISTOR	2	
Q412,13	B1DAGQ000013	TRANSISTOR	2	
Q414	B1ABCF000134	TRANSISTOR	1	
Q415	2SB1218ARL	TRANSISTOR	1	
Q417	B1CHND000004	TRANSISTOR	1	
Q418	2SD1819A	TRANSISTOR	1	
Q420-22	2SD1819A	TRANSISTOR	3	
Q423,24	B1CBGD000001	TRANSISTOR	2	
Q430	B1CEJQ000002	TRANSISTOR	1	
Q431	B1DEGS000001	TRANSISTOR	1	
Q432	B1CEJQ000002	TRANSISTOR	1	
Q433	B1CBGD000001	TRANSISTOR	1	
Q434	B1CEJQ000002	TRANSISTOR	1	
Q435	B1CBGD000001	TRANSISTOR	1	
Q436	B1CEJQ000002	TRANSISTOR	1	
Q438	B1CBGD000001	TRANSISTOR	1	
Q439	B1CHND000004	TRANSISTOR	1	
Q440,41	2SD1819A	TRANSISTOR	2	
Q501,02	2SD1820A	TRANSISTOR	2	
Q503	XN0440100L	TRANSISTOR	1	
Q505	B1CEJQ000002	TRANSISTOR	1	
Q506	B1CHND000004	TRANSISTOR	1	
Q507	B1DAGQ000013	TRANSISTOR	1	
Q508	XN0450100L	TRANSISTOR	1	
Q509	XN0440100L	TRANSISTOR	1	
Q510	B1DHBD000004	TRANSISTOR	1	
Q511	B1CFND000005	TRANSISTOR	1	
Q512	B1CBGD000001	TRANSISTOR	1	
Q516	B1DHBD000004	TRANSISTOR	1	
Q517	B1HFCFA00021	TRANSISTOR	1	
Q518	B1DEHL000018	TRANSISTOR	1	
Q519	B1DEHF000002	TRANSISTOR	1	
Q520	B1HFCFA00021	TRANSISTOR	1	

Ref. No.	Part No.	Part Name & Description	Pcs	Remarks
Q525	B1CBGD000001	TRANSISTOR	1	
Q527	B1DEHL000018	TRANSISTOR	1	
Q530	B1CBGD000001	TRANSISTOR	1	
Q535	2SD1819A	TRANSISTOR	1	
Q536-38	B1CFQD000001	TRANSISTOR	3	
Q541	B1CBGD000001	TRANSISTOR	1	
Q544	XN0440100L	TRANSISTOR	1	
Q550	B1CHGD000006	TRANSISTOR	1	
Q551,52	B1CBGD000001	TRANSISTOR	2	
Q553	2SD1819A	TRANSISTOR	1	
Q554	B1DHBD000004	TRANSISTOR	1	
Q557	2SD1819A	TRANSISTOR	1	
Q558	B1CHHG000002	TRANSISTOR	1	
Q559	2SD1819A	TRANSISTOR	1	
Q560	B1CHHG000002	TRANSISTOR	1	
Q561,62	2SD1819A	TRANSISTOR	2	
Q564,65	2SD1819A	TRANSISTOR	2	
Q567	B1CBGD000001	TRANSISTOR	1	
R401	ERJ6GEYJ472	M 4.7KOHM, J, 1/10W	1	
R402	ERJ6EKF6803	M 680KOHM, 1/10W	1	
R403	ERJ6ENF4702	M 47KOHM, 1/10W	1	
R404	ERJ6GEYJ104	M 100KOHM, J, 1/10W	1	
R405	ERJ6EKF6803	M 680KOHM, 1/10W	1	
R407	ERJ6GEYJ103	M 10KOHM, J, 1/10W	1	
R408	ERJ6GEYJ104	M 100KOHM, J, 1/10W	1	
R410,11	D1F5100E0002	F 3.3 OHM, 5W	2	△
R412	ERJ6GEYJ472	M 4.7KOHM, J, 1/10W	1	
R413	D1F5100E0002	F 3.3 OHM, 5W	1	△
R414	ERJ8GEYJ153	M 15KOHM, J, 1/8W	1	
R415	ERJ6GEYJ103	M 10KOHM, J, 1/10W	1	
R416	ERJ6GEYJ332	M 3.3KOHM, J, 1/10W	1	
R417	ERJ6ENF4303	M 430KOHM, 1/10W	1	
R418	ERJ6GEYJ473	M 47KOHM, J, 1/10W	1	
R419	ERJ6GEYJ104	M 100KOHM, J, 1/10W	1	
R420	ERJ6GEYJ474	M 470KOHM, J, 1/10W	1	
R421	ERJ6GEYJ333	M 33KOHM, J, 1/10W	1	
R422	ERJ8GEYJ181	M 180 OHM, J, 1/8W	1	
R423	ERJ6GEYJ154	M 150KOHM, J, 1/10W	1	
R424	ERJ6GEYJ223	M 22KOHM, J, 1/10W	1	
R425	ERJ6GEYJ332	M 3.3KOHM, J, 1/10W	1	
R426	ERJ6GEYJ103	M 10KOHM, J, 1/10W	1	
R427	ERJ6GEYJ334	M 330KOHM, J, 1/10W	1	
R428	ERJ6GEYJ103	M 10KOHM, J, 1/10W	1	
R429	ERJ8GEYJ103	M 10KOHM, J, 1/8W	1	
R430	ERJ6ENF4303	M 430KOHM, 1/10W	1	
R431	ERJ6GEYJ103	M 10KOHM, J, 1/10W	1	
R432	ERJ8GEYJ103	M 10KOHM, J, 1/8W	1	
R433	ERJ6ENF1202	M 12KOHM, 1/10W	1	
R435	ERJ6GEYJ103	M 10KOHM, J, 1/10W	1	
R436	ERJ8GEYJ153	M 15KOHM, J, 1/8W	1	
R437	ERJ6GEYJ183	M 18KOHM, J, 1/10W	1	
R438	ERJ6GEYJ331	M 330 OHM, J, 1/10W	1	
R439	ERG12SJ120	M 12 OHM, J, 1/2W	1	
R440	ERJ8GEYJ474	M 470KOHM, J, 1/8W	1	
R441,42	ERJ6EKF6803	M 680KOHM, 1/10W	2	
R443	EVMAASA00B23	CONTROL 2KOHMB	1	
R444	ERJ6GEYJ123	M 12KOHM, J, 1/10W	1	
R445	ERJ6ENF1003	M 100KOHM, 1/10W	1	
R446	ERX2SJR39H	M0.39 OHM, J, 2W	1	
R447	ERJ6ENF3302	M 33KOHM, 1/10W	1	
R448,49	D0XGR10JA007	RESISTOR ARRAY	2	
R450	ERJ6GEYJ102	M 1KOHM, J, 1/10W	1	
R451	ERJ6GEYJ333	M 33KOHM, J, 1/10W	1	
R452	ERJ6GEYJ103	M 10KOHM, J, 1/10W	1	
R453	ERJ6GEYJ102	M 1KOHM, J, 1/10W	1	
R454	ERJ6GEYJ103	M 10KOHM, J, 1/10W	1	
R455	ERJ6GEYJ106	M 10MOHM, J, 1/10W	1	
R456,57	ERJ6GEYJ333	M 33KOHM, J, 1/10W	2	
R458	ERJ6GEYJ472	M 4.7KOHM, J, 1/10W	1	
R461	ERJ6GEYJ102	M 1KOHM, J, 1/10W	1	
R462	ERJ6ENF4303	M 430KOHM, 1/10W	1	
R463	ERJ6GEYJ333	M 33KOHM, J, 1/10W	1	

Ref. No.	Part No.	Part Name & Description	Pcs	Remarks
R464	ERJ6ENF3302	M 33KOHM, 1/10W	1	
R465	ERJ6ENF5603	M 560KOHM, 1/10W	1	
R466,67	ERJ6GEYJ102	M 1KOHM, J, 1/10W	2	
R468	ERJ6GEYJ472	M 4.7KOHM, J, 1/10W	1	
R469	ERJ6GEYJ103	M 10KOHM, J, 1/10W	1	
R470	ERX2SJR39H	M0.39 OHM, J, 2W	1	
R471	ERJ6GEYJ332	M 3.3KOHM, J, 1/10W	1	
R472,73	ERJ6ENF5603	M 560KOHM, 1/10W	2	
R474	ERG1SJ104P	M 100KOHM, J, 1W	1	
R475	ERJ6KEF6803	M 680KOHM, 1/10W	1	
R476,77	ERJ14YJ181U	M 181 OHM, J, 1/4W	2	
R478	ERJ8GEYJ220	M 22 OHM, J, 1/8W	1	
R479	ERG1SJ104P	M 100KOHM, J, 1W	1	
R480	ERJ6ENF9102	M91.0KOHM, 1/10W	1	
R481	ERJ6GEYJ106	M 10MOHM, J, 1/10W	1	
R482	ERJ8GEYJ220	M 22 OHM, J, 1/8W	1	
R483	ERJ6GEYJ106	M 10MOHM, J, 1/10W	1	
R485	ERJ6GEYJ102	M 1KOHM, J, 1/10W	1	
R486,87	ERJ6GEYJ682	M 6.8KOHM, J, 1/10W	2	
R488	ERJ6GEYJ106	M 10MOHM, J, 1/10W	1	
R489	ERJ6GEYJ102	M 1KOHM, J, 1/10W	1	
R490,91	ERJ6GEYJ473	M 47KOHM, J, 1/10W	2	
R492	ERJ6GEYJ220	M 22 OHM, J, 1/10W	1	
R493	ERG12SJ120	M 12 OHM, J, 1/2W	1	
R494-96	ERJ6ENF5603	M 560KOHM, 1/10W	3	
R497	ERJ6ENF2402	M 24KOHM, 1/10W	1	
R501	ERJ6GEYJ223	M 22KOHM, J, 1/10W	1	
R502,03	ERJ6GEYJ104	M 100KOHM, J, 1/10W	2	
R504	ERJ6GEYJ102	M 1KOHM, J, 1/10W	1	
R505	ERJ8GEYJ330	M 33 OHM, J, 1/8W	1	
R506	ERJ6GEYJ102	M 1KOHM, J, 1/10W	1	
R507	ERJ6GEYJ221	M 220 OHM, J, 1/10W	1	
R508	ERJ6GEYJ102	M 1KOHM, J, 1/10W	1	
R509-11	ERJ6GEYJ104	M 100KOHM, J, 1/10W	3	
R512	ERJ6GEYJ223	M 22KOHM, J, 1/10W	1	
R513,14	ERJ6GEYJ104	M 100KOHM, J, 1/10W	2	
R515,16	ERJ6GEYJ102	M 1KOHM, J, 1/10W	2	
R517	ERJ6GEYJ103	M 10KOHM, J, 1/10W	1	
R518	ERJ6GEYJ101	M 100 OHM, J, 1/10W	1	
R519,20	ERJ6GEYJ104	M 100KOHM, J, 1/10W	2	
R521,22	ERJ8GEYJ100	M 10 OHM, J, 1/8W	2	
R523	ERJ6GEYJ102	M 1KOHM, J, 1/10W	1	
R524	ERJ6GEYJ182	M 1.8KOHM, J, 1/10W	1	
R525	ERJ6GEYJ473	M 47KOHM, J, 1/10W	1	
R526,27	ERJ8GEYJ224	M 220KOHM, J, 1/8W	2	
R528	ERJ6GEYJ472	M 4.7 OHM, J, 1/10W	1	
R530	ERJ6RBD3302	M 3.3KOHM, F, 1/10W	1	
R531	ERJ8GEYJ472	M 4.7KOHM, J, 1/8W	1	
R532	ERJ6GEYJ101	M 100 OHM, J, 1/10W	1	
R533	ERJ8GEYJ223	M 22KOHM, J, 1/8W	1	
R534	ERJ8GEYJ224	M 220KOHM, J, 1/8W	1	
R535,36	ERJ6GEYJ102	M 1KOHM, J, 1/10W	2	
R537	ERJ6ENF3602	M 36KOHM, 1/10W	1	
R538	ERJ6GEYJ104	M 100KOHM, J, 1/10W	1	
R539	ERJ6RBD1002	M 1.0KOHM, 1/10W	1	
R540	ERJ6GEYJ103	M 10KOHM, J, 1/10W	1	
R541	ERJ6GEYJ104	M 100KOHM, J, 1/10W	1	
R542	ERJ6GEYJ102	M 1KOHM, J, 1/10W	1	
R543	ERJ6GEYJ222	M 2.2KOHM, J, 1/10W	1	
R544	ERJ6GEYJ331	M 330 OHM, J, 1/10W	1	
R545	ERJ6GEYJ103	M 10KOHM, J, 1/10W	1	
R546,47	ERJ6GEYJ102	M 1KOHM, J, 1/10W	2	
R548	ERJ8GEYJ102	M 1KOHM, J, 1/8W	1	
R549	ERJ6GEYJ102	M 1KOHM, J, 1/10W	1	
R550	ERJ6GEYJ105	M 1MOHM, J, 1/10W	1	
R551	ERJ6GEYJ104	M 100KOHM, J, 1/10W	1	
R552	ERJ6GEYJ102	M 1KOHM, J, 1/10W	1	
R553	ERJ6GEYJ472	M 4.7KOHM, J, 1/10W	1	
R554	ERJ6GEYJ332	M 3.3KOHM, J, 1/10W	1	
R555,56	ERJ6GEYJ105	M 1MOHM, J, 1/10W	2	
R557	ERJ8GEYJ471	M 470 OHM, J, 1/8W	1	
R558	ERJ6GEYJ334	M 330KOHM, J, 1/10W	1	
R559	ERJ6RBD4702	M 47KOHM, 1/10W	1	

Ref. No.	Part No.	Part Name & Description	Pcs	Remarks
R560	ERJ6ENF1302	M 13KOHM, 1/10W	1	
R561	ERJ6ENF4301	M 4.3KOHM, 1/10W	1	
R562	ERJ6ENF1802	M 18KOHM, 1/10W	1	
R563	ERJ6GEYJ2R2	M 2.2 OHM, J, 1/10W	1	
R564	ERJ6GEYJ474	M 470KOHM, J, 1/10W	1	
R565	ERJ6GEYJ334	M 330KOHM, J, 1/10W	1	
R566	ERJ6GEYJ104	M 10KOHM, J, 1/10W	1	
R567	ERJ8GEYJ472	M 4.7KOHM, J, 1/8W	1	
R568,69	ERG2SJ181	M 180 OHM, J, 2W	2	
R570	ERJ8GEYJ102	M 1KOHM, J, 1/8W	1	
R571	ERJ6GEYJ103	M 10KOHM, J, 1/10W	1	
R572,73	ERJ8ENF3900	M 390 OHM, 1/8W	2	
R574	ERJ6GEYJ331	M 330 OHM, J, 1/10W	1	
R575	ERJ6GEYJ102	M 1KOHM, J, 1/10W	1	
R576	ERJ6ENF1202	M 12KOHM, 1/10W	1	
R577,78	ERJ6GEYJ473	M 47KOHM, J, 1/10W	2	
R579	ERJ6GEYJ103	M 10KOHM, J, 1/10W	1	
R580,81	ERJ6GEYJ473	M 47KOHM, J, 1/10W	2	
R582	ERJ6ENF1002	M 10KOHM, 1/10W	1	
R583	ERJ6GEYJ473	M 47KOHM, J, 1/10W	1	
R584	ERJ6GEYJ103	M 10KOHM, J, 1/10W	1	
R585	ERJ6GEYJ333	M 33KOHM, J, 1/10W	1	
R586,87	ERJ6GEYJ473	M 47KOHM, J, 1/10W	2	
R588	ERJ8ENF3900	M 390 OHM, 1/8W	1	
R589,90	ERJ8GEYJ123	M 12KOHM, J, 1/8W	2	
R591	ERJ6GEYJ105	M 1MOHM, J, 1/10W	1	
R592	ERJ6ENF3001	M 3KOHM, 1/10W	1	
R593	ERJ6ENF5601	M 5.6KOHM, 1/10W	1	
R594	ERJ6GEYJ103	M 10KOHM, J, 1/10W	1	
R595	ERJ8GEYJ222	M 2.2KOHM, J, 1/8W	1	
R596	ERJ6ENF1002	M 10KOHM, 1/10W	1	
R597,98	ERJ6GEYJ473	M 47KOHM, J, 1/10W	2	
R599,00	ERJ8GEYJ391	M 390 OHM, J, 1/8W	2	
R601	ERJ6GEYJ473	M 47KOHM, J, 1/10W	1	
R602	ERJ6ENF3301	M 3.3KOHM, 1/10W	1	
R603	ERJ6GEYJ332	M 3.3KOHM, J, 1/10W	1	
R604	ERJ6GEYJ122	M 1.2KOHM, J, 1/10W	1	
R606	ERJ6ENF1201	M 1.2KOHM, 1/10W	1	
R607	ERJ6GEYJ822	M 8.2KOHM, J, 1/10W	1	
R608	ERJ8GEYJ332	M 3.3KOHM, J, 1/8W	1	
R609	ERJ6GEYJ822	M 8.2KOHM, J, 1/10W	1	
R610,11	ERJ6GEYJ103	M 10KOHM, J, 1/10W	2	
R612	ERJ6GEYJ222	M 2.2KOHM, J, 1/10W	1	
R613	ERJ6ENF1602	M 16KOHM, 1/10W	1	
R614	ERJ6ENF3301	M 3.3KOHM, 1/10W	1	
R615-17	ERJ6GEYJ103	M 10KOHM, J, 1/10W	3	
R618	ERJ6GEYJ104	M 100KOHM, J, 1/10W	1	
R619	ERJ8RQFR68	M 0.68OHM, J, 1/8W	1	
R620	ERJ6GEYJ103	M 10KOHM, J, 1/10W	1	
R621	ERJ8GEYJ123	M 12KOHM, J, 1/8W	1	
R622	ERJ8ENF1503	M 15KOHM, 1/8W	1	
R623	ERJ6GEYJ103	M 10KOHM, J, 1/10W	1	
R624	ERX2SJR22	M0.22 OHM, J, 2W	1	
R625	ERJ6GEYJ104	M 100KOHM, J, 1/10W	1	
R626	ERJ8ENF1503	M 15KOHM, 1/8W	1	
R627	ERJ6GEYJ822	M 8.2KOHM, J, 1/10W	1	
R628	EVMAASA00B33	CONTROL 3KOHMB	1	
R629	ERJ6GEYJ104	M 100KOHM, J, 1/10W	1	
R630	ERJ6GEYJ473	M 47KOHM, J, 1/10W	1	
R631	ERJ8GEYJ333	M 33KOHM, J, 1/8W	1	
R632	ERJ6GEYJ221	M 220 OHM, J, 1/10W	1	
R633	ERJ6GEYJ334	M 330KOHM, J, 1/10W	1	
R634	ERJ8RQFR68	M 0.68OHM, J, 1/8W	1	
R636	ERJ8ENF1503	M 15KOHM, 1/8W	1	
R637	ERJ8RQFR68	M 0.68OHM, J, 1/8W	1	
R640	ERJ6GEYJ103	M 10KOHM, J, 1/10W	1	
R641	ERJ6GEYJ473	M 47KOHM, J, 1/10W	1	
R642-44	ERJ8RQFR68	M 0.68OHM, J, 1/8W	3	
R645	ERJ6GEYJ473	M 47KOHM, J, 1/10W	1	
R646,47	ERJ6GEYJ223	M 22KOHM, J, 1/10W	2	
R648	ERJ8ENF1503	M 15KOHM, 1/8W	1	
R649	ERJ6GEYJ223	M 22KOHM, J, 1/10W	1	
R650	ERJ6GEYJ103	M 10KOHM, J, 1/10W	1	



## 16.3. Electrical Replacement Parts List (42inch)

### Note:

All parts except parts mentioned [PAVCCZ] in the Remarks column are supplied by AVC-SPC.

Parts mentioned [PAVCCZ] are supplied by PAVCCZ.

Ref. No.	Part No.	Part Name & Description	Pcs	Remarks
F401.40 2	K5D802BNA005	TIME LAG FUSE HIGH	2	△
C001	ECJ1XC1H221J	C 220PF, J, 50V	1	TH-42PA50H/M
C001	ECA0JM102	E 1000UF, 6.3V	1	TH-42PA50A
C002	ECA1HM100	E 10UF, 50V	1	TH-42PA50H/M
C002,03	ECA1HM100	E 10UF, 50V	2	TH-42PA50A
C003	ECJ1VF1H104Z	C 0.1UF, Z, 50V	1	TH-42PA50H/M
C004	ECJ1XF1H102Z	C 1000PF, Z, 50V	1	
C005	ECJ1XC1H220J	C 22PF, J, 50V	1	
C006	ECA0JM102	E 1000UF, 6.3V	1	TH-42PA50H/M
C006	ECJ1XC1H220J	C 22PF, J, 50V	1	TH-42PA50A
C007	ECJ3VB1C474K	C 0.47UF, K, 16V	1	TH-42PA50H/M
C007	ECJ1XF1C104Z	C 0.1UF, Z, 16V	1	TH-42PA50A
C008	ECJ1XF1C104Z	C 0.1UF, Z, 16V	1	TH-42PA50H/M
C009	ECJ1XC1H101J	C 100PF, J, 50V	1	TH-42PA50H/M
C009	ECJ1VF1H104Z	C 0.1UF, Z, 50V	1	TH-42PA50A
C010,11	ECJ1XC1H330J	C 33PF, J, 50V	2	TH-42PA50H/M
C11	K1MN55BA0076	55P CONNECTOR	1	
C12	K1KA04BA0107	4P CONNECTOR	1	
C1MM2	TMME199	CLAMPER	1	
C013	ECJ1XF1C104Z	C 0.1UF, Z, 16V	1	TH-42PA50A
C014	ECJ3YB0J335K	C 33UF, J, 25V	1	TH-42PA50H/M
C016	ECJ1XF1C104Z	C 0.1UF, Z, 16V	1	TH-42PA50A
C017	ECJ3VB1C474K	C 0.47UF, K, 16V	1	TH-42PA50A
C018	ECJ1XC1H330J	C 33PF, J, 50V	2	TH-42PA50A
C019	ECJ1XC1H220J	C 22PF, J, 50V	1	TH-42PA50H/M
C019	ECJ1XC1H330J	C 33PF, J, 50V	2	TH-42PA50A
C020	ECA0JM102	E 1000UF, 6.3V	1	TH-42PA50H/M
C020	ECJ1XF1C104Z	C 0.1UF, Z, 16V	1	TH-42PA50A
C021	ECJ1XF1C104Z	C 0.1UF, Z, 16V	1	TH-42PA50H/M
C021	ECJ1XC1H101J	C 100PF, J, 50V	1	TH-42PA50A
C21	K1MN55BA0076	55P CONNECTOR	1	
C022	ECJ1XC1H101J	C 100PF, J, 50V	1	TH-42PA50H/M
C022	ECJ3YB0J335K	C 33UF, J, 25V	1	TH-42PA50A
C22	K1KA04BA0107	4P CONNECTOR	1	
C23	K1KA12AA0153	12P CONNECTOR	1	
C023	ECJ1VF1H102Z	C 0.1UF, Z, 50V	1	TH-42PA50A
C024	ECJ1VF1H104Z	C 0.1UF, Z, 50V	1	TH-42PA50H/M
C024	ECJ1XC1H221J	C 220PF, J, 50V	1	TH-42PA50A
C027	ECJ3YB0J335K	C 33UF, J, 25V	1	TH-42PA50H/M
C029,30	ECJ1XC1H330J	C 33PF, J, 50V	2	TH-42PA50H/M
C036	ECJ1XC1H221J	C 220PF, J, 50V	1	TH-42PA50H/M
C037	ECJ1XF1H102Z	C 1000PF, Z, 50V	1	TH-42PA50H/M
C038	ECJ3VB1C474K	C 0.47UF, K, 16V	1	TH-42PA50H/M
C040	ECJ2VF1C104Z	C 0.1UF, Z, 16V	1	TH-42PA50H/M
C041-43	ECJ1XF1C104Z	C 0.1UF, Z, 16V	3	TH-42PA50H/M
C1100	ECJ1XB0J105K	C 1UF, K, 16V	1	
C1101,0 2	ECJ1XB1C104K	C 0.1UF, Z, 16V	2	
C1104	ECJ1XB1C104K	C 0.1UF, Z, 16V	1	
C1105,0 6	ECJ1XB0J105K	C 1UF, K, 16V	2	
C1107	ECJ1VB1H103K	C 0.001UF, K, 50V	1	
C1108- 11	ECJ1XB1C104K	C 0.1UF, Z, 16V	4	
C1112	EEEB1C100R	C 10PF, J, 16V	1	
C1113,1 4	ECJ1XB1C104K	C 0.1UF, Z, 16V	2	
C1115	EEEB0G101R	C 100PF, J, 4V	1	
C1116	ECJ1XC1H102J	C 1000PF, J, 50V	1	
C1117- 19	ECJ1XB1C104K	C 0.1UF, Z, 16V	3	
C1120	EEEB0G101R	C 100PF, J, 4V	1	
C1122	ECJ1XC1H102J	C 1000PF, J, 50V	1	

Ref. No.	Part No.	Part Name & Description	Pcs	Remarks
C1123,2 4	ECJ1XB1C104K	C 0.1UF, Z, 16V	2	
C1125	ECJ3XB0J106M	C 10UF, M, 6.3V	1	
C1126	ECJ1XB1C104K	C 0.1UF, Z, 16V	1	
C1127	ECJ1XC1H102J	C 1000PF, J, 50V	1	
C1128,2 9	ECJ1XB1C104K	C 0.1UF, Z, 16V	2	
C1130	ECJ1XC1H102J	C 1000PF, J, 50V	1	
C1131	ECJ1XB1C104K	C 0.1UF, Z, 16V	1	
C1132	EEEB1C100R	C 10PF, J, 16V	1	
C1133,3 4	ECJ1XB1C104K	C 0.1UF, Z, 16V	2	
C1135	ECJ1XC1H102J	C 1000PF, J, 50V	1	
C1136- 39	ECJ1XB1C104K	C 0.1UF, Z, 16V	4	
C1140	EEEB1E330P	C 33PF, J, 25V	1	
C1141	ECJ1VB1H103K	C 0.001UF, K, 50V	1	
C1150	EEEB1E330P	C 33PF, J, 25V	1	
C1152	ECJ1XB1C104K	C 0.1UF, Z, 16V	1	
C1155	ECJ1XB1C104K	C 0.1UF, Z, 16V	1	
C1170	EEVHP1C100R	E 10UF, 16V	1	
C1171	EEEB1C470P	C 47PF, J, 16V	1	
C1172	ECJ1XB1C104K	C 0.1UF, Z, 16V	1	
C1174	ECJ1XB1C104K	C 0.1UF, Z, 16V	1	
C1175	ECJ1XC1H151J	C 150PF, J, 50V	1	
C1178	ECJ1XB0J105K	C 1UF, K, 16V	1	
C1181,8 2	EEEB0G101R	C 100PF, J, 4V	2	
C1186	ECJ1VB1H103K	C 0.001UF, K, 50V	1	
C1187	ECJ1XC1H180J	C 18PF, J, 50V	1	
C1188	ECJ1XC1H220J	C 22PF, J, 50V	1	
C1193	ECJ1XB1C104K	C 0.1UF, Z, 16V	1	
C1194	ECJ1VB1H103K	C 0.001UF, K, 50V	1	
C1195	ECJ1XB0J105K	C 1UF, K, 16V	1	
C1196- 98	ECJ1XB1C104K	C 0.1UF, Z, 16V	3	
C1200,0 1	ECJ1XB1C104K	C 0.1UF, Z, 16V	2	
C1202	EEEB0G101R	C 100PF, J, 4V	1	
C1203	ECJ1XB1C104K	C 0.1UF, Z, 16V	1	
C1204	ECJ1XB0J105K	C 1UF, K, 16V	1	
C1205,0 6	ECJ1XC1H271J	C 270PF, J, 50V	2	
C1207	ECJ1XB1C104K	C 0.1UF, Z, 16V	1	
C1208	ECJ1XC1H271J	C 270PF, J, 50V	1	
C1209	EEEB0G101R	C 100PF, J, 4V	1	
C1211	ECJ1XB1C104K	C 0.1UF, Z, 16V	1	
C1212,1 3	ECJ1XC1H271J	C 270PF, J, 50V	2	
C1214- 16	ECJ1XB1C104K	C 0.1UF, Z, 16V	3	
C1217,1 8	ECJ1XC1H271J	C 270PF, J, 50V	2	
C1219	ECJ1VF1H103Z	C 0.010UF, Z, 50V	1	
C1220,2 1	ECJ1XC1H101J	C 100PF, J, 50V	2	
C1222	ECJ1VB1C105K	C 0.01UF, K, 16V	1	
C1223- 25	ECJ1XC1H680J	C 68PF, J, 50V	3	
C2005,0 6	ECJ1XC1H561J	C 560PF, J, 50V	2	
C2010,1 1	ECJ1XC1H561J	C 560PF, J, 50V	2	
C2013,1 4	ECJ1XC1H561J	C 560PF, J, 50V	2	
C2016,1 7	ECJ1XC1H561J	C 560PF, J, 50V	2	
C2019	ECA1CM221	E 220UF, 16V	1	
C2020	ECA1HM220	E 22UF, 50V	1	
C2111	ECJ2VF1C104Z	C 0.1UF, Z, 16V	1	
C2116	ECJ2VF1C104Z	C 0.1UF, Z, 16V	1	
C2118,1 9	ECEA1CN470U	E 47UF, 16V	2	
C2124	ECJ3XB1C106M	C 1.0UF, K, 16V	1	

Ref. No.	Part No.	Part Name & Description	Pcs	Remarks
C2125,26	ECJ1VB1H102K	C 1000PF, K, 50V	2	
C2127	ECA1CMH101	E 100UF, 16V	1	
C2128	ECJ2VF1C104Z	C 0.1UF, Z, 16V	1	
C2129,30	F1J1A1050002	C 1UF, Z, 50V	2	
C2131	ECJ2VF1C104Z	C 0.1UF, Z, 16V	1	
C2132	ECA1HM100	E 10UF, 50V	1	
C2133,34	ECJ1XC1H470J	C 47PF, J, 50V	2	
C2143	ECJ1VB1H103K	C 0.001UF, K, 50V	1	
C2146	ECJ2VF1C104Z	C 0.1UF, Z, 16V	1	
C2147	ECA1HM220	E 22UF, 50V	1	
C2148-50	ECJ2FB1C105K	C 1UF, Z, 16V	3	
C2152	ECJ2FB1C105K	C 1UF, Z, 16V	1	
C2153	ECJ2FF1C475Z	C 0.047UF, Z, 16V	1	
C2154	ECJ2VF1C104Z	C 0.1UF, Z, 16V	1	
C2159,60	ECJ2FB1C105K	C 1UF, Z, 16V	2	
C2161	ECA1CMH101	E 100UF, 16V	1	
C2164,65	ECJ2FB1C105K	C 1UF, Z, 16V	2	
C2172	ECJ1VB1H102K	C 1000PF, K, 50V	1	
C2173	ECJ1VB1H103K	C 0.001UF, K, 50V	1	
C2174	ECJ1VB1H102K	C 1000PF, K, 50V	1	
C2175-77	ECJ1VB1H103K	C 0.001UF, K, 50V	3	
C2178,79	ECA1HM100	E 10UF, 50V	2	
C2181	ECJ2VF1C104Z	C 0.1UF, Z, 16V	1	
C2183	ECA1HM3R3	E 3.3UF, 50V	1	
C2184,85	ECJ2VF1C104Z	C 0.1UF, Z, 16V	2	
C2189,90	ECJ2FB1C105K	C 1UF, Z, 16V	2	
C2191	ECJ2VF1C104Z	C 0.1UF, Z, 16V	1	
C2192	ECA1HM100	E 10UF, 50V	1	
C2193,94	ECJ2FB1C105K	C 1UF, Z, 16V	2	TH-42PA50A
C2195	ECJ1XC1H470J	C 47PF, J, 50V	1	
C2196	ECJ2VF1C104Z	C 0.1UF, Z, 16V	1	
C2197	ECJ2VF1C105Z	C 1UF, Z, 16V	1	
C2198	ECA1CMH101	E 100UF, 16V	1	
C2199	ECJ1VC1H560J	C 56PF, J, 50V	1	
C2200	ECJ1XC1H470J	C 47PF, J, 50V	1	
C2201,02	ECJ1XC1H050C	C 5PF, C, 50V	2	
C2203	ECJ1VC1H100C	C 10PF, C, 50V	1	
C2204	ECJ1XC1H220J	C 22PF, J, 50V	1	
C2206	ECA1CMH101	E 100UF, 16V	1	
C2207	ECJ2VF1C104Z	C 0.1UF, Z, 16V	1	
C2208	ECJ1XF1C104Z	C 0.1UF, Z, 16V	1	TH-42PA50A
C2211	ECJ1VB1C104K	C 0.1UF, K, 16V	1	TH-42PA50A
C2212	ECJ1XF1C104Z	C 0.1UF, Z, 16V	1	TH-42PA50A
C2213	ECJ1VB1C104K	C 0.1UF, K, 16V	1	TH-42PA50A
C2214	ECJ1VB1H102K	C 1000PF, K, 50V	1	
C2215	ECJ2VF1C104Z	C 0.1UF, Z, 16V	1	
C2222	ECJ2VF1C104Z	C 0.1UF, Z, 16V	1	TH-42PA50A
C2223	ECJ1XC1H390J	C 39PF, J, 50V	1	
C2225	ECJ2FB1C105K	C 1UF, Z, 16V	1	
C2226	ECJ1VB1H102K	C 1000PF, K, 50V	1	
C2300,01	ECJ1VF1H104Z	C 0.1UF, Z, 50V	2	
C2305	ECA1CMH101	E 100UF, 16V	1	
C2306	ECJ1VB1H103K	C 0.001UF, K, 50V	1	
C2307	ECA1CMH101	E 100UF, 16V	1	
C2308,09	ECJ1VB1H103K	C 0.001UF, K, 50V	2	
C2310,11	ECJ3YB1A475K	C 0.047UF, K, 10V	2	
C2314	ECJ1VB1H562K	C 5600PF, K, 50V	1	
C2315	ECA1CHG470	E 47UF, 16V	1	
C2316	ECJ1XF1C104Z	C 0.1UF, Z, 16V	1	
C2318	ECJ1XF1C104Z	C 0.1UF, Z, 16V	1	
C2319	ECJ1XC1H471J	C 470PF, J, 50V	1	

Ref. No.	Part No.	Part Name & Description	Pcs	Remarks
C2320	ECJ1VB1E473K	C 0.047UF, K, 25V	1	
C2322	ECJ1XC1H471J	C 470PF, J, 50V	1	
C2323	ECJ1VB1E473K	C 0.047UF, K, 25V	1	
C2324	ECJ1XC1H471J	C 470PF, J, 50V	1	
C2325	ECJ1VB1E473K	C 0.047UF, K, 25V	1	
C2327	ECJ1XC1H471J	C 470PF, J, 50V	1	
C2328	ECJ1VB1E473K	C 0.047UF, K, 25V	1	
C2329-32	ECJ1VB1H332K	C 3300PF, K, 50V	4	
C2358	ECA1CMH101	E 100UF, 16V	1	
C2359	ECJ1VB1H103K	C 0.001UF, K, 50V	1	
C2372	ECA1HHG100	E 10UF, 50V	1	
C2374	ECA1HHG100	E 10UF, 50V	1	
C2376-79	ECJ2XB1H102K	C 1000PF, K, 50V	4	
C2384-87	ECJ2XB1H102K	C 1000PF, K, 50V	4	
C2428,29	ECJ2XB1E104K	C 0.1UF, K, 25V	2	
C2430	ECJ1VF1A105Z	C 1UF, Z, 10V	1	
C2433,34	ECJ2FB1A225K	C 2.2UF, K, 10V	2	
C2437,38	ECJ2FB1A225K	C 2.2UF, K, 10V	2	
C2441,42	ECJ1XC1H221J	C 220PF, J, 50V	2	
C2445,46	ECJ2FB1E105K	C 1UF, K, 25V	2	
C2449,50	ECA1EHG331	E 330UF, 25V	2	
C2453,54	ECJ2FB1E105K	C 1UF, K, 25V	2	
C2457,58	ECJ2FB0J335K	C 3.3UF, K, 16V	2	
C2461,62	ECJ2XB1H332K	C 3300PF, K, 50V	2	
C2465,66	ECJ2FB1E105K	C 1UF, K, 25V	2	
C2469,70	ECJ2FB1E105K	C 1UF, K, 25V	2	
C2473,74	ECJ2FB1E105K	C 1UF, K, 25V	2	
C2477,78	ECJ2FB1E105K	C 1UF, K, 25V	2	
C2481-84	ECJ2FB1E224K	C 22UF, K, 25V	4	
C2489,90	ECJ2XB1H332K	C 3300PF, K, 50V	2	
C2497,98	ECJ2FB1E105K	C 1UF, K, 25V	2	
C2512	ECJ3XB0J106M	C 10UF, M, 6.3V	1	
C2515	ECJ1VB1H103K	C 0.001UF, K, 50V	1	
C3005	ECJ2VF1C104Z	C 0.1UF, Z, 16V	1	
C3015	ECJ2VF1C104Z	C 0.1UF, Z, 16V	1	
C3021-24	F1J1A1050002	C 1UF, Z, 50V	4	
C3032	ECJ2XB1A105K	C 1UF, K, 10V	1	
C3033	F1J1A1050002	C 1UF, Z, 50V	1	
C3035	F1J1A1050002	C 1UF, Z, 50V	1	
C3038	ECJ2VF1C104Z	C 0.1UF, Z, 16V	1	
C3040	ECJ2VF1C104Z	C 0.1UF, Z, 16V	1	
C3043	F1J1A1050002	C 1UF, Z, 50V	1	
C3044	ECJ2VF1C104Z	C 0.1UF, Z, 16V	1	
C3045	F1J1A1050002	C 1UF, Z, 50V	1	TH-42PA50H/M
C3047	F1J1A1050002	C 1UF, Z, 50V	1	
C3049,50	F1J1A1050002	C 1UF, Z, 50V	2	
C3054-56	F1J1A1050002	C 1UF, Z, 50V	3	
C3058	ECA1CMH101	E 100UF, 16V	1	
C3059	ECJ2VF1C105Z	C 1UF, Z, 16V	1	
C3060	ECJ2VF1C104Z	C 0.1UF, Z, 16V	1	
C3062-64	ECJ2VF1C104Z	C 0.1UF, Z, 16V	3	
C3066	ECJ2VF1C105Z	C 1UF, Z, 16V	1	
C3068	ECJ2VF1C104Z	C 0.1UF, Z, 16V	1	TH-42PA50H/M
C3069	ECA1EM471	E 470UF, 25V	1	

Ref. No.	Part No.	Part Name & Description	Pcs	Remarks
C3207	ECJ2FB1C105K	C 1UF, Z, 16V	1	
C3208	ECJ2XB1C474K	C 0.47UF, Z, 16V	1	
C3212	ECJ2VF1C104Z	C 0.1UF, Z, 16V	1	
C3214	ECJ2FF1A106Z	C 0.001UF, Z, 10V	1	
C3216	ECJ2FF1A106Z	C 0.001UF, Z, 10V	1	
C3217,18	ERJ3GEY0R00	M 0 OHM, 1/16W	2	
C3226-29	ECJ2FF1A106Z	C 0.001UF, Z, 10V	4	
C3230	ECJ2VF1C104Z	C 0.1UF, Z, 16V	1	
C3233	ECJ2VF1C104Z	C 0.1UF, Z, 16V	1	
C3235	ECJ1VF1H104Z	C 0.1UF, Z, 50V	1	
C3236	ECA1HM100	E 10UF, 50V	1	
C3241-43	ECJ2VF1C104Z	C 0.1UF, Z, 16V	3	
C3248	ECJ2FB1C105K	C 1UF, Z, 16V	1	TH-42PA50H/M
C3249	ECJ2XB1C474K	C 0.47UF, Z, 16V	1	TH-42PA50H/M
C3250	ECJ1XF1C104Z	C 0.1UF, Z, 16V	1	TH-42PA50H/M
C3251	ECJ1XF1C104Z	C 0.1UF, Z, 16V	1	
C3252	ECJ2FB1C105K	C 1UF, Z, 16V	1	TH-42PA50H/M
C3253-55	ECJ1XF1C104Z	C 0.1UF, Z, 16V	3	TH-42PA50H/M
C3256	ECJ2FB1C105K	C 1UF, Z, 16V	1	TH-42PA50H/M
C3257-61	ECJ1XF1C104Z	C 0.1UF, Z, 16V	5	TH-42PA50H/M
C3262-64	ECJ1VB1H472K	C 4700PF, K, 50V	3	
C4001	EEVHB0G221P	E 220UF, 4V	1	
C4002	ECJ1XB1C104K	C 0.1UF, Z, 16V	1	
C4003	EEFCD0G560R	56UF,	1	
C4004	ECJ2YB0J225K	C 2.2UF, K, 6.3V	1	
C4005	ECJ1XB1C104K	C 0.1UF, Z, 16V	1	
C4006	ECJ1XC1H471J	C 470PF, J, 50V	1	
C4014,15	ECJ1XB1C104K	C 0.1UF, Z, 16V	2	
C4016	ECJ1XC1H470J	C 47PF, J, 50V	1	
C4018	ECJ1XB1C104K	C 0.1UF, Z, 16V	1	
C4019	ECJ2FB1C684K	C 68UF, Z, 16V	1	
C4020	ECJ1XB1C393K	C 0.039UF, K, 16V	1	
C4023,24	ECJ1XB1C104K	C 0.1UF, Z, 16V	2	
C4025	EEVHB0J470R	E 47UF, 6.3V	1	
C4026	ECJ1XB1C104K	C 0.1UF, Z, 16V	1	
C4027	EEEB1E330P	C 33PF, J, 25V	1	
C4028,29	ECJ3XB0J106M	C 10UF, M,6.3V	2	
C4030	EEEB1C100R	C 10PF, J, 16V	1	
C4031-33	ECJ1XB1C104K	C 0.1UF, Z, 16V	3	
C4035	ECJ1VB1H103K	C 0.001UF, K, 50V	1	
C4036	EEVHB0J470R	E 47UF, 6.3V	1	
C4037	ECJ1VB1H103K	C 0.001UF, K, 50V	1	
C4038,39	ECJ1XB1C104K	C 0.1UF, Z, 16V	2	
C4043-45	ECJ1XB1C104K	C 0.1UF, Z, 16V	3	
C4047	ECJ1XC1H101J	C 100PF, J, 50V	1	
C4048	ECJ1XB1C104K	C 0.1UF, Z, 16V	1	
C4049	ECJ1VB1H103K	C 0.001UF, K, 50V	1	
C4050	ECJ1XB1C104K	C 0.1UF, Z, 16V	1	
C4051	ECJ1XC1H102J	C 1000PF, J, 50V	1	
C4052	ECJ1XB0J105K	C 1UF, K, 16V	1	
C4053,54	ECJ1XB1C104K	C 0.1UF, Z, 16V	2	
C4055	ECJ1VB1C823K	C 0.082UF, K, 16V	1	
C4056	ECJ1VB1H103K	C 0.001UF, K, 50V	1	
C4057,58	ECJ2VB1C104K	C 0.1UF, K, 16V	2	
C4059	EEVHB0J470R	E 47UF, 6.3V	1	
C4060	ECJ1XB1C104K	C 0.1UF, Z, 16V	1	
C4061	EEVHB0J470R	E 47UF, 6.3V	1	
C4062	ECJ1XB1C104K	C 0.1UF, Z, 16V	1	
C4063-65	ECJ2VB1C104K	C 0.1UF, K, 16V	3	
C4066	ECJ1XB0J105K	C 1UF, K, 16V	1	
C4070	ECJ1XB1C104K	C 0.1UF, Z, 16V	1	

Ref. No.	Part No.	Part Name & Description	Pcs	Remarks
C4072	ECJ2YB0J225K	C 2.2UF, K, 6.3V	1	
C4100-02	ECJ3XB0J106M	C 10UF, M,6.3V	3	
C4103	ECJ1VB1H103K	C 0.001UF, K, 50V	1	
C4104	ECJ1VB1C105K	C 0.01UF, K, 16V	1	
C4105	ECJ1VB1H103K	C 0.001UF, K, 50V	1	
C4106	ECJ1VB1C105K	C 0.01UF, K, 16V	1	
C4107	ECJ1VB1H103K	C 0.001UF, K, 50V	1	
C4108	ECJ1VB1C105K	C 0.01UF, K, 16V	1	
C4115-17	ECJ3XB0J106M	C 10UF, M,6.3V	3	
C4118-20	ECJ1XC1H390J	C 39PF, J, 50V	3	
C4121,22	ECJ1XB1C104K	C 0.1UF, Z, 16V	2	
C4124	EEEB1A101P	C 100PF, J, 10V	1	
C4126	EEVHB0J470R	E 47UF, 6.3V	1	
C4127	ECJ1XB1C104K	C 0.1UF, Z, 16V	1	
C4128-31	ECJ1VB1H103K	C 0.001UF, K, 50V	4	
C4132	EEEB0G101R	C 100PF, J, 4V	1	
C4133	ECJ1XB1C104K	C 0.1UF, Z, 16V	1	
C4135	ECJ1XB0J105K	C 1UF, K, 16V	1	
C4136	ECJ1XB1C104K	C 0.1UF, Z, 16V	1	
C4151	ECJ3YB0J335K	C 33UF, J, 25V	1	
C4152	ECJ1VB1H103K	C 0.001UF, K, 50V	1	
C4153-56	ECJ1VB1C105K	C 0.01UF, K, 16V	4	
C4158-66	ECJ1XC1H102J	C 1000PF, J, 50V	9	
C4167	ECJ1XB1C104K	C 0.1UF, Z, 16V	1	
C4168	ECJ1XC1H102J	C 1000PF, J, 50V	1	
C4170-72	ECJ1VB1H103K	C 0.001UF, K, 50V	3	
C4176	ECJ1XB1C104K	C 0.1UF, Z, 16V	1	
C4177,78	ECJ1VB1C105K	C 0.01UF, K, 16V	2	
C4179	ECJ1XB1C104K	C 0.1UF, Z, 16V	1	
C4180	ECJ1VB1H103K	C 0.001UF, K, 50V	1	
C4181	ECJ3XB0J106M	C 10UF, M,6.3V	1	
C4182	ECJ1XB1C104K	C 0.1UF, Z, 16V	1	
C4233	ECJ1XC1H101J	C 100PF, J, 50V	1	
C4234	ECJ1XB1C104K	C 0.1UF, Z, 16V	1	
C4235	ECJ1XF1C104Z	C 0.1UF, Z, 16V	1	
C4301,02	ECJ1XB1C104K	C 0.1UF, Z, 16V	2	
C4303	EEEB1E330P	C 33PF, J, 25V	1	
C4306	ECJ1XC1H050C	C 5PF, C, 50V	1	
C4308,09	ECJ1XC1H220J	C 22PF, J, 50V	2	
C4310-13	ECJ1XB0J105K	C 1UF, K, 16V	4	
C4314	ECJ3XB0J106M	C 10UF, M,6.3V	1	
C4315-17	ECJ1VF1A105Z	C 1UF, Z, 10V	3	
C4318	EEEB1E330P	C 33PF, J, 25V	1	
C4341	ECJ1VB1H103K	C 0.001UF, K, 50V	1	
C4342	ECJ1XB1C104K	C 0.1UF, Z, 16V	1	
C4343	EEVHB0J470R	E 47UF, 6.3V	1	
C4345	ECJ1XB1C104K	C 0.1UF, Z, 16V	1	
C4346	ECJ1XB0J105K	C 1UF, K, 16V	1	
C4348	ECJ1VB1H103K	C 0.001UF, K, 50V	1	
C4350	ECJ1XB0J105K	C 1UF, K, 16V	1	
C4351,52	ECJ1XB1C104K	C 0.1UF, Z, 16V	2	
C4353	ECJ1XB0J105K	C 1UF, K, 16V	1	
C4354	EEVHB0G221P	E 220UF, 4V	1	
C4355,56	ECJ1XB1C104K	C 0.1UF, Z, 16V	2	
C4358	ECJ1XC1H680J	C 68PF, J, 50V	1	
C4359-70	ECJ1XB1C104K	C 0.1UF, Z, 16V	12	
C4371	ECJ1XB0J105K	C 1UF, K, 16V	1	
C4372-74	ECJ1XB1C104K	C 0.1UF, Z, 16V	3	
C4375	ECJ1XB0J105K	C 1UF, K, 16V	1	

Ref. No.	Part No.	Part Name & Description	Pcs	Remarks
C4378	ECJ1VB0J225K	C 2.2UF, K, 6.3V	1	
C4379	ECJ1XC1H180J	C 18PF, J, 50V	1	
C4380	ECJ1XB1C104K	C 0.1UF, Z, 16V	1	
C4381	ECJ1XC1H180J	C 18PF, J, 50V	1	
C4382	ECJ1VB0J225K	C 2.2UF, K, 6.3V	1	
C4383	ECJ1VB1H562K	C 5600PF, K, 50V	1	
C4384-88	ECJ1XB1C104K	C 0.1UF, Z, 16V	5	
C4390,91	ECJ1XB1C104K	C 0.1UF, Z, 16V	2	
C4392,93	ECJ1VB0J225K	C 2.2UF, K, 6.3V	2	
C4501	EEVHB0J470R	E 47UF, 6.3V	1	
C4502,03	ECJ1XB1C104K	C 0.1UF, Z, 16V	2	
C4504	ECJ1VB1C105K	C 0.01UF, K, 16V	1	
C4505	ECJ1XB1C104K	C 0.1UF, Z, 16V	1	
C4506	ECJ1VB1C105K	C 0.01UF, K, 16V	1	
C4507	ECJ1XB1C104K	C 0.1UF, Z, 16V	1	
C4508	ECJ1VB1C105K	C 0.01UF, K, 16V	1	
C4509	ECJ1XB1C104K	C 0.1UF, Z, 16V	1	
C4510	ECJ1VB1C105K	C 0.01UF, K, 16V	1	
C4511	ECJ1XB1C104K	C 0.1UF, Z, 16V	1	
C4512	ECJ1VB1C105K	C 0.01UF, K, 16V	1	
C4513	ECJ1XB1C104K	C 0.1UF, Z, 16V	1	
C4514	EEVHB0J470R	E 47UF, 6.3V	1	
C4515	ECJ1XB1C104K	C 0.1UF, Z, 16V	1	
C4516-18	ECJ1VB1C105K	C 0.01UF, K, 16V	3	
C4519	ECJ1XB1C104K	C 0.1UF, Z, 16V	1	
C4521	ECJ1XB0J105K	C 1UF, K, 16V	1	
C4522-24	ECJ1XB1C104K	C 0.1UF, Z, 16V	3	
C4525	ECJ1XB0J105K	C 1UF, K, 16V	1	
C4526	ECJ1VB1H103K	C 0.001UF, K, 50V	1	
C4527,28	ECJ1XB0J105K	C 1UF, K, 16V	2	
C4529	ECJ1VB1C105K	C 0.01UF, K, 16V	1	
C4530-34	ECJ1XB1C104K	C 0.1UF, Z, 16V	5	
C4535	ECJ1VB1H103K	C 0.001UF, K, 50V	1	
C4536	ECJ1XB0J105K	C 1UF, K, 16V	1	
C4537	EEVHB0J470R	E 47UF, 6.3V	1	
C4538-51	ECJ1XB1C104K	C 0.1UF, Z, 16V	14	
C4552,53	ECJ1VB1C105K	C 0.01UF, K, 16V	2	
C4554-56	ECJ1XB1C104K	C 0.1UF, Z, 16V	3	
C4560,61	ECJ1VB1H103K	C 0.001UF, K, 50V	2	
C4562	ECJ1XB0J105K	C 1UF, K, 16V	1	
C4565-68	ECJ1XC1H102J	C 1000PF, J, 50V	4	
C4570-74	ECJ1XC1H102J	C 1000PF, J, 50V	5	
C4575	ECJ1XB0J105K	C 1UF, K, 16V	1	
C4576-81	ECJ1XC1H102J	C 1000PF, J, 50V	6	
C4582	ECJ1VB1C105K	C 0.01UF, K, 16V	1	
C4583-95	ECJ1XC1H102J	C 1000PF, J, 50V	13	
C4596	ECJ1VB1H103K	C 0.001UF, K, 50V	1	
C4597	ECJ1XB0J105K	C 1UF, K, 16V	1	
C4598	ECJ1VB1H103K	C 0.001UF, K, 50V	1	
C4599,00	ECJ1XB0J105K	C 1UF, K, 16V	2	
C4601	EEHBOJ330R	C 33PF, J, 6.3V	1	
C4602	ECJ1XB1C104K	C 0.1UF, Z, 16V	1	
C4605	ECJ1VB1H103K	C 0.001UF, K, 50V	1	
C4607-10	ECJ1VB1H103K	C 0.001UF, K, 50V	4	
C4611	ECJ3XB0J106M	C 10UF, M, 6.3V	1	
C4612	ECJ1XB1C104K	C 0.1UF, Z, 16V	1	
C4613	ECJ1VB1H103K	C 0.001UF, K, 50V	1	
C4701	ECJ1XB1C104K	C 0.1UF, Z, 16V	1	

Ref. No.	Part No.	Part Name & Description	Pcs	Remarks
C4702	EEFCD0G560R	56UF,	1	
C4703	EEHBOJ220R	C 22PF, J, 6.3V	1	
C4704	ECJ1XB1C104K	C 0.1UF, Z, 16V	1	
C4709	EEVHB0J470R	E 47UF, 6.3V	1	
C4710,11	ECJ1XB1C104K	C 0.1UF, Z, 16V	2	
C4712	ECJ1VB1C103K	C 0.010UF, K, 16V	1	
C4713	ECJ1XB1C104K	C 0.1UF, Z, 16V	1	
C4714	ECJ1VB1C103K	C 0.010UF, K, 16V	1	
C4715	ECJ1XB1C104K	C 0.1UF, Z, 16V	1	
C4716	ECJ1VB1C103K	C 0.010UF, K, 16V	1	
C4717	ECJ1XB1C104K	C 0.1UF, Z, 16V	1	
C4718	ECJ1VB1C103K	C 0.010UF, K, 16V	1	
C4719-22	ECJ1XB1C104K	C 0.1UF, Z, 16V	4	
C4723	ECJ1VB1C103K	C 0.010UF, K, 16V	1	
C4724	ECJ1XB1C104K	C 0.1UF, Z, 16V	1	
C4725	ECJ1VB1C103K	C 0.010UF, K, 16V	1	
C4726	ECJ1XB1C104K	C 0.1UF, Z, 16V	1	
C4727	ECJ1VB1C103K	C 0.010UF, K, 16V	1	
C4728	ECJ1XB1C104K	C 0.1UF, Z, 16V	1	
C4729	ECJ1VB1C103K	C 0.010UF, K, 16V	1	
C4730	ECJ1XB1C104K	C 0.1UF, Z, 16V	1	
C4731	ECJ1VB1C103K	C 0.010UF, K, 16V	1	
C4732	ECJ1XB1C104K	C 0.1UF, Z, 16V	1	
C4733	ECJ1VB1C103K	C 0.010UF, K, 16V	1	
C4734	ECJ1XB1C104K	C 0.1UF, Z, 16V	1	
C4735	ECJ1VB1C103K	C 0.010UF, K, 16V	1	
C4736	ECJ1XB1C104K	C 0.1UF, Z, 16V	1	
C4737	ECJ1VB1C103K	C 0.010UF, K, 16V	1	
C4855,56	ECJ1XB1C104K	C 0.1UF, Z, 16V	2	
C4858	EEVHB0G221P	E 220UF, 4V	1	
C4859	ECJ1XC1H150J	C 15PF, J, 50V	1	
C4861	ECJ1XC1H150J	C 15PF, J, 50V	1	
C4863	ECJ1XB1C104K	C 0.1UF, Z, 16V	1	
C4864	ECJ3XB0J106M	C 10UF, M, 6.3V	1	
C4867,68	ECJ1XC1H101J	C 100PF, J, 50V	2	
C4873	EEVHB0J470R	E 47UF, 6.3V	1	
C4874	ECJ1XB1C104K	C 0.1UF, Z, 16V	1	
C4875,76	ECJ2VB1C104K	C 0.1UF, K, 16V	2	
C4877	ECJ2XB1A105K	C 1UF, K, 10V	1	
C4878,79	ECJ2VB1C104K	C 0.1UF, K, 16V	2	
C4880	ECJ2XB1A105K	C 1UF, K, 10V	1	
C4882	ECJ1VB1H103K	C 0.001UF, K, 50V	1	
C4883	ECJ1XB0J105K	C 1UF, K, 16V	1	
C4892	EEVHB0J470R	E 47UF, 6.3V	1	
C4893	ECJ1XB1C104K	C 0.1UF, Z, 16V	1	
C4898	ECJ1VB1H103K	C 0.001UF, K, 50V	1	
C4899	ECJ1XB0J105K	C 1UF, K, 16V	1	
C4901	EEHBC100R	C 10PF, J, 16V	1	
C4902	ECJ1VB1H103K	C 0.001UF, K, 50V	1	
C4922	EEVHB0J470R	E 47UF, 6.3V	1	
C4924	ECJ1XF1C104Z	C 0.1UF, Z, 16V	1	
C4925	EEHBC1470P	C 47PF, J, 16V	1	
C4926	ECJ1XF1C104Z	C 0.1UF, Z, 16V	1	
C4929	EEHBC100R	C 10PF, J, 16V	1	
C4939	EEVHB0G221P	E 220UF, 4V	1	
C4942	ECJ1XB1C104K	C 0.1UF, Z, 16V	1	
C4943	EEHBC1470P	C 47PF, J, 16V	1	
C4945-48	ECJ1XC1H102J	C 1000PF, J, 50V	4	
C4952	ECJ1XC1H101J	C 100PF, J, 50V	1	
C5601	ECA1HM220	E 22UF, 50V	1	
C5604	ECA1HHG100	E 10UF, 50V	1	
C5605	EEUFC1E102	E 1000UF, 25V	1	
C5606	EEUFC1C821	E 820UF, 16V	1	
C5608	ECJ2XB1H103K	C 0.01UF, K, 50V	1	
C5609	ECA1HM220	E 22UF, 50V	1	
C5611	EEUFC1E102	E 1000UF, 25V	1	
C5612	EEUFC1C821	E 820UF, 16V	1	



Ref. No.	Part No.	Part Name & Description	Pcs	Remarks
C5613	ECJ2XB1E104K	C 0.1UF, K, 25V	1	
C5616	ECJ2XB1E104K	C 0.1UF, K, 25V	1	
C5617	EEUFC1C821	E 820UF, 16V	1	
C5618,19	ECJ2XB1E104K	C 0.1UF, K, 25V	2	
C5622	EEUFC1C821	E 820UF, 16V	1	
C5623	ECJ2XB1E104K	C 0.1UF, K, 25V	1	
C5626	ECJ2VF1C104Z	C 0.1UF, Z, 16V	1	
C5631	EEUFC1C102	E 1000UF, 16V	1	
C5637	ECJ2VF1C474Z	C 0.47UF, Z, 16V	1	
C5641-44	ECJ2VF1C104Z	C 0.1UF, Z, 16V	4	
C5670	ECJ2XB1E104K	C 0.1UF, K, 25V	1	
C5672	ECA1HM220	E 22UF, 50V	1	
C5673	ECJ2XB1H103K	C 0.01UF, K, 50V	1	
C5685	ECA1HHG100	E 10UF, 50V	1	
C5686	ECJ2XB1H103K	C 0.01UF, K, 50V	1	
C5813	ECJ2XB1E104K	C 0.1UF, K, 25V	1	
C5818	ECA1CM471	E 470UF, 16V	1	
C5820	ECA1CM102	E 1000UF, 16V	1	
C5821	ECJ2XB1E104K	C 0.1UF, K, 25V	1	
C6001-03	F2A2D221A022	E 220UF, 200V	3	
C6005	F1L1E4750004	C 4.7UF, 25V	1	
C6007,08	ECA2CM101	E 100UF, 160V	2	
C6009	ECJ2XB1H103K	C 0.01UF, K, 50V	1	
C6011	F1L2J392A022	C 3900UF, K,6.3V	1	
C6012	F1L2J562A022	C 5600UF, K,6.3V	1	
C6016	F1L2J392A022	C 3900UF, K,6.3V	1	
C6017	F1L2J562A022	C 5600UF, K,6.3V	1	
C6021-30	ECQE2105RKB	P 1UF, 250V	10	
C6031,32	F1L1E4750004	C 4.7UF, 25V	2	
C6034,35	F1L1E4750004	C 4.7UF, 25V	2	
C6037	ECQE2224KF	P 2.2UF, K,250V	1	
C6043,44	F1L1E4750004	C 4.7UF, 25V	2	
C6046	F1L1E4750004	C 4.7UF, 25V	1	
C6047	F2A2D1510004	E 150UF, 200V	1	
C6048	EEUFC1E221	E 220UF, 25V	1	
C6049	F1L1E4750004	C 4.7UF, 25V	1	
C6050,51	TCUY1C105ZFN	C 1UF, 16V	2	
C6053,54	EEUFC1E221	E 220UF, 25V	2	
C6055	ECJ3YB1E105K	C 1UF, K, 25V	1	
C6056	EEUFC1A101	E 100UF, 10V	1	
C6057	F1L1E4750004	C 4.7UF, 25V	1	
C6058	ECJ3YB1E105K	C 1UF, K, 25V	1	
C6060,61	F1K2J471A014	C 470UF, K,6.3V	2	
C6456	ECA2CM101	E 100UF, 160V	1	
C6457	ECA2CHG100	E 10UF, 160V	1	
C6458	F1L1E4750004	C 4.7UF, 25V	1	
C6459	EEUFC1E470	E 47UF, 25V	1	
C6461	ECA1HM101	E 100UF, 50V	1	
C6462-65	F1L1E4750004	C 4.7UF, 25V	4	
C6466	ECJ2XB1H103K	C 0.01UF, K, 50V	1	
C6467	ECJ2XB1H472K	C 4700PF, K, 50V	1	
C6468	TCUY1C105ZFN	C 1UF, 16V	1	
C6469	EEUFC1E221	E 220UF, 25V	1	
C6470	ECA1HM221	E 220UF, 50V	1	
C6471	TCUY1C105ZFN	C 1UF, 16V	1	
C6472	ECJ2VB1H333K	C 0.033UF, K, 50V	1	
C6473	TCUY1C105ZFN	C 1UF, 16V	1	
C6474	ECJ2XB1H103K	C 0.01UF, K, 50V	1	
C6475	EEUFC1E221	E 220UF, 25V	1	
C6476	ECA2CM101	E 100UF, 160V	1	
C6478	ECJ2XB1H103K	C 0.01UF, K, 50V	1	
C6479,80	ECJ2XB1H104K	C 0.1UF, K, 50V	2	
C6490	F1K2J332A014	C 3300UF, K,6.3V	1	

Ref. No.	Part No.	Part Name & Description	Pcs	Remarks
C6491,92	F2A2G100A017	E 100UF, 400V	2	
C6493	ECJ3XB2J222K	C 2200PF, K,630V	1	
C6501-03	ECJ2XB1H104K	C 0.1UF, K, 50V	3	
C6505	ECJ2XB1H104K	C 0.1UF, K, 50V	1	
C6507	ECJ2XB1H104K	C 0.1UF, K, 50V	1	
C6509	ECJ2XC1H102J	C 1000PF, J, 50V	1	
C6511,12	F1L1E4750004	C 4.7UF, 25V	2	
C6513	ECA2CM101	E 100UF, 160V	1	
C6521	F1L1E4750004	C 4.7UF, 25V	1	
C6523	ECA1VM470	E 47UF, 35V	1	
C6524	F1K2J471A014	C 470UF, K,6.3V	1	
C6526	ECA2EHG220	E 22UF, 250V	1	
C6529,30	F1K2J471A014	C 470UF, K,6.3V	2	
C6531,32	F1L1E4750004	C 4.7UF, 25V	2	
C6533,34	F1K2J471A014	C 470UF, K,6.3V	2	
C6541	F1L1E4750004	C 4.7UF, 25V	1	
C6543,44	F1K2J102A014	C 1000PF,	2	
C6546	TCUY1C105ZFN	C 1UF, 16V	1	
C6550	ECA2CM101	E 100UF, 160V	1	
C6551	ECQE2224KF	P 2.2UF, K,250V	1	
C6571	ECJ2XB1H104K	C 0.1UF, K, 50V	1	
C6575	ECJ2XB1H104K	C 0.1UF, K, 50V	1	
C6577	ECJ2XB1H104K	C 0.1UF, K, 50V	1	
C6580,81	TCUY1C105ZFN	C 1UF, 16V	2	
C6584	ECJ3YB1E105K	C 1UF, K, 25V	1	
C6585	TCUY1C105ZFN	C 1UF, 16V	1	
C6587	ECJ3YB1E105K	C 1UF, K, 25V	1	
C6588	TCUY1C105ZFN	C 1UF, 16V	1	
C6589	F1L1E4750004	C 4.7UF, 25V	1	
C6590	TCUY1C105ZFN	C 1UF, 16V	1	
C6591	F1L1E4750004	C 4.7UF, 25V	1	
C6598	ECA1CM220	E 22UF, 16V	1	
C6601-03	F2A2D221A022	E 220UF, 200V	3	
C6607	ECJ3YB1E105K	C 1UF, K, 25V	1	
C6608	ECA1EM471	E 470UF, 25V	1	
C6611	F1L2J392A022	C 3900UF, K,6.3V	1	
C6612	F1L2J562A022	C 5600UF, K,6.3V	1	
C6615	F1L2J562A022	C 5600UF, K,6.3V	1	
C6616	F1L2J392A022	C 3900UF, K,6.3V	1	
C6617	F1L2J562A022	C 5600UF, K,6.3V	1	
C6621-30	ECQE2105RKB	P 1UF, 250V	10	
C6631,32	F1L1E4750004	C 4.7UF, 25V	2	
C6634,35	F1L1E4750004	C 4.7UF, 25V	2	
C6637	F1L1E4750004	C 4.7UF, 25V	1	
C6639	F1L1E4750004	C 4.7UF, 25V	1	
C6647	TCUY1C105ZFN	C 1UF, 16V	1	
C6650	ECQE2224KF	P 2.2UF, K,250V	1	
C6651,52	ECJ2XB1H103K	C 0.01UF, K, 50V	2	
C6655,56	EEUFC1A101	E 100UF, 10V	2	
C6659,60	F1K2J471A014	C 470UF, K,6.3V	2	
C6901-04	TCUY1C105ZFN	C 1UF, 16V	4	
C6911,12	ECJ2XB1H102K	C 1000PF, K, 50V	2	
C6917	ECJ2XB1H221K	C 220PF, K, 50V	1	
C6931	F1L2E1040002	E 1000UF, 25V	1	
C6933	F1L2E1040002	E 1000UF, 25V	1	
C6955-58	TCUY1C105ZFN	C 1UF, 16V	4	
C6971,72	ECJ2XB1H102K	C 1000PF, K, 50V	2	
C6977	F1L2E1040002	E 1000UF, 25V	1	

Ref. No.	Part No.	Part Name & Description	Pcs	Remarks
C6979	FL12E1040002	E 1000UF, 25V	1	
C7101	ECJ1XB1C104K	C 0.1UF, Z, 16V	1	
C7104-06	TCUY1C105ZFN	C 1UF, 16V	3	
C7108-10	TCUY1C105ZFN	C 1UF, 16V	3	
C7135	ECJ1XB1C104K	C 0.1UF, Z, 16V	1	
C7138,39	ECJ1XB1C104K	C 0.1UF, Z, 16V	2	
C7153	ECJ1XC1H101J	C 100PF, J, 50V	1	
C7161	ECJ3XB2A474K	C 0.47UF, 6.3V	1	
C7163	ECJ3XB2A474K	C 0.47UF, 6.3V	1	
C7165	ECJ3XB2A474K	C 0.47UF, 6.3V	1	
C7182	ECJ1XC1H101J	C 100PF, J, 50V	1	
C7186	ECJ1XC1H101J	C 100PF, J, 50V	1	
C7201	ECJ1XB1C104K	C 0.1UF, Z, 16V	1	
C7203-06	TCUY1C105ZFN	C 1UF, 16V	4	
C7208,09	TCUY1C105ZFN	C 1UF, 16V	2	
C7218,19	TCUY1C105ZFN	C 1UF, 16V	2	
C7222	TCUY1C105ZFN	C 1UF, 16V	1	
C7226,27	ECJ1XC1H220J	C 22PF, J, 50V	2	
C7235	ECJ1XB1C104K	C 0.1UF, Z, 16V	1	
C7237	ECJ1XB1C104K	C 0.1UF, Z, 16V	1	
C7239	ECJ1XB1C104K	C 0.1UF, Z, 16V	1	
C7242	TCUY1C105ZFN	C 1UF, 16V	1	
C7253-56	ECJ1XC1H101J	C 100PF, J, 50V	4	
C7266	ECJ3XB2A474K	C 0.47UF, 6.3V	1	
C7268	ECJ3XB2A474K	C 0.47UF, 6.3V	1	
C7270	ECJ3XB2A474K	C 0.47UF, 6.3V	1	
C7272	ECJ3XB2A474K	C 0.47UF, 6.3V	1	
C9000	EEEB1C470P	C 47PF, J, 16V	1	
C9001	ECJ1XF1C104Z	C 0.1UF, Z, 16V	1	
C9004,05	ECJ1XF1C104Z	C 0.1UF, Z, 16V	2	
C9006	FLJ0J1060004	C 0.010UF, K, 16V	1	
C9007	EEEB1C470P	C 47PF, J, 16V	1	
C9008	ECJ1XF1C104Z	C 0.1UF, Z, 16V	1	
C9009	FLJ0J1060004	C 0.010UF, K, 16V	1	
C9010-12	ECJ1XF1C104Z	C 0.1UF, Z, 16V	3	
C9013	ECJ1VF1H103Z	C 0.010UF, Z, 50V	1	
C9014	ECJ1XC1H101K	C 100PF, K, 50V	1	
C9015-22	ECJ1XF1C104Z	C 0.1UF, Z, 16V	8	
C9023	EEEB1C470P	C 47PF, J, 16V	1	
C9024	ECJ1XC1H271J	C 270PF, J, 50V	1	
C9025	ECJ1XF1C104Z	C 0.1UF, Z, 16V	1	
C9026,27	ECJ2VF1C105Z	C 1UF, Z, 16V	2	
C9028-31	ECJ1XF1C104Z	C 0.1UF, Z, 16V	4	
C9033	ECJ1XF1C104Z	C 0.1UF, Z, 16V	1	
C9035,36	ECJ1XF1C104Z	C 0.1UF, Z, 16V	2	
C9201,02	ECJ1XB1C104K	C 0.1UF, Z, 16V	2	
C9203	ECJ1XC1H150J	C 15PF, J, 50V	1	
C9204	ECJ1VC1H080C	C 8PF, C, 50V	1	
C9205	FLJ0J1060004	C 0.010UF, K, 16V	1	
C9206,07	ECJ1XB1C104K	C 0.1UF, Z, 16V	2	
C9303	ECJ1XF1C104Z	C 0.1UF, Z, 16V	1	
C9304-57	ECJ1XB1C104K	C 0.1UF, Z, 16V	54	
C9358	EEEB0G221P	C 220PF, J, 4V	1	
C9359	ECJ1XB1C104K	C 0.1UF, Z, 16V	1	
C9360	ECJ1XF1C104Z	C 0.1UF, Z, 16V	1	
C9500	ECJ2VF1C105Z	C 1UF, Z, 16V	1	
C9502	ECJ2VF1C105Z	C 1UF, Z, 16V	1	
C9503-12	ECJ1XB1C104K	C 0.1UF, Z, 16V	10	

Ref. No.	Part No.	Part Name & Description	Pcs	Remarks
C9513	EEEB1C470P	C 47PF, J, 16V	1	
C9514-17	ECJ1XB1C104K	C 0.1UF, Z, 16V	4	
C9518	EEEB1C470P	C 47PF, J, 16V	1	
C9519	ECJ1XC1H101K	C 100PF, K, 50V	1	
C9701,02	ECJ1XF1C104Z	C 0.1UF, Z, 16V	2	
C9703	FLJ0J1060004	C 0.010UF, K, 16V	1	
C9705,06	FLJ0J1060004	C 0.010UF, K, 16V	2	
C9707	EEEB1C470P	C 47PF, J, 16V	1	
C9712,13	FLJ0J1060004	C 0.010UF, K, 16V	2	
C9714,15	ECGRL0G680R	C 68PF, J, 4V	2	
C9716	ECJ1XC1H220J	C 22PF, J, 50V	1	
C9718	ECJ1XC1H220J	C 22PF, J, 50V	1	
C9719,20	ECJ1XC1H102J	C 1000PF, J, 50V	2	
C9721,22	ECJ1XF1C104Z	C 0.1UF, Z, 16V	2	
C9723,24	ECJ2XB1H104K	C 0.1UF, K, 50V	2	
C9725	ECJ1XC1H102J	C 1000PF, J, 50V	1	
C9727	ECJ1XC1H102J	C 1000PF, J, 50V	1	
C9728,29	ECJ3XF1C475Z	C 4.7UF, Z, 16V	2	
C9730,31	EEEB1C470P	C 47PF, J, 16V	2	
C9732	ECJ1VF1H103Z	C 0.010UF, Z, 50V	1	
C9733	ECJ1XF1C104Z	C 0.1UF, Z, 16V	1	
C9734,35	EEEB1C470P	C 47PF, J, 16V	2	
C9736	ECJ1XF1C104Z	C 0.1UF, Z, 16V	1	
C9739,40	ECJ1XB1C104K	C 0.1UF, Z, 16V	2	
C9741	ECJ3XF1C475Z	C 4.7UF, Z, 16V	1	
C9742	ECJ1XF1C104Z	C 0.1UF, Z, 16V	1	
C9743,44	ECJ3XF1C475Z	C 4.7UF, Z, 16V	2	
C9900,01	ECJ1VF1H103Z	C 0.010UF, Z, 50V	2	
CB1-B7	K1MN68BA0002	68P CONNECTOR	7	
D003	MA152K	DIODE	1	TH-42PA50A
D3	K1KA30AA0009	30P CONNECTOR	1	
D4	K1KA14A00248	14P CONNECTOR	1	
D5	K1KA31A00007	31P CONNECTOR	1	
D6	K1KA20AA00310	20P CONNECTOR	1	
D8	K1KA08AA0104	8P CONNECTOR	1	
D20	K1KA20AA0008	20P CONNECTOR	1	
D25	K1KA20AA0009	20P CONNECTOR	1	
D33,34	K1MN55BA0076	55P CONNECTOR	2	
D1151	MA8120M	ZENER DIODE	1	
D1154-61	MA8062MTX	ZENER DIODE	8	
D2011-14	MA111	DIODE	4	
D2104	MA152K	DIODE	1	
D2107-09	MA8140M	ZENER DIODE	3	
D2111	MA8140M	ZENER DIODE	1	
D2116	MA8140M	ZENER DIODE	1	
D2118	MA8140M	ZENER DIODE	1	
D2119	BOBC01100001	ZENER DIODE	1	
D2120	MA152K	DIODE	1	
D2300,01	MA111	DIODE	2	
D2303,04	MA111	DIODE	2	
D2315,16	B0JCDD000002	DIODE	2	
D2319,20	B0JCDD000002	DIODE	2	
D2332	MA111	DIODE	1	
D2512	MA8056M	ZENER DIODE	1	

Ref. No.	Part No.	Part Name & Description	Pcs	Remarks
D2513,14	MA152K	DIODE	2	
D2520	B3AAA0000770	LED	1	
D2523	MA152K	DIODE	1	
D2524	MA8056M	ZENER DIODE	1	
D2529	MA8056-M	ZENER DIODE	1	
D3003	MA8140M	ZENER DIODE	1	
D3005,06	MA8140M	ZENER DIODE	2	
D3017	MA8140M	ZENER DIODE	1	
D3021	MA152	DIODE	1	
D3023	MA111	DIODE	1	
D3024	B0BC01100001	ZENER DIODE	1	
D3026	MA111	DIODE	1	
D3034-44	MA8140M	ZENER DIODE	11	
D3100	MA8140M	ZENER DIODE	1	
D3237,38	MA152K	DIODE	2	TH-42PA50H/M
D4231	MA111	DIODE	1	
D5610	MA3X78900L	ZENER DIODE	1	
D5614	B0BC6R600005	ZENER DIODE	1	
D5615	B0BC4R700007	ZENER DIODE	1	
D5616	B0BC6R600005	ZENER DIODE	1	
D5617	B0BC01100001	ZENER DIODE	1	
D5618	B0BC03900015	ZENER DIODE	1	
D5637,38	MA152	DIODE	2	
D5639	MA3047H	ZENER DIODE	1	
D5640	MA3068H	ZENER DIODE	1	
D5641	MA152	DIODE	1	
D5642	MA3100H	ZENER DIODE	1	
D5643	MA152	DIODE	1	
D5644	MA3068M	ZENER DIODE	1	
D5645-47	MA152	DIODE	3	
D6001,02	B0HBSN000008	DIODE	2	
D6015	B0ECHP000003	DIODE	1	
D6020	B0HBSN000008	DIODE	1	
D6021	B0ECHP000003	DIODE	1	
D6022	B0HBSN000008	DIODE	1	
D6023	B0ECHP000003	DIODE	1	
D6024	B0HBSN000008	DIODE	1	
D6029	B0HBSN000008	DIODE	1	
D6035	MA8033L	ZENER DIODE	1	
D6036	MA111	DIODE	1	
D6040,41	B0ECHP000003	DIODE	2	
D6051	B0ECHP000003	DIODE	1	
D6052,53	B0JCME000037	DIODE	2	
D6054	B0ECHP000003	DIODE	1	
D6055	B0JCME000037	DIODE	1	
D6057	B0ECHP000003	DIODE	1	
D6058-60	MA111	DIODE	3	
D6061	MA8082MTX	ZENER DIODE	1	
D6062	MA111	DIODE	1	
D6063	MA8051L	ZENER DIODE	1	
D6064	MA111	DIODE	1	
D6065	LNJ301MPUJA	LED	1	
D6066,67	MA8330M	ZENER DIODE	2	
D6070	MA111	DIODE	1	
D6451	B0JCME000037	DIODE	1	
D6452,53	MA111	DIODE	2	
D6455	MA111	DIODE	1	
D6456	B0ECHP000003	DIODE	1	
D6459	MA111	DIODE	1	
D6460,61	B0HCKS000002	DIODE	2	
D6462	B0JCME000037	DIODE	1	
D6463	MA8056H	ZENER DIODE	1	
D6464	B0JCME000037	DIODE	1	

Ref. No.	Part No.	Part Name & Description	Pcs	Remarks
D6465,66	MA8330M	ZENER DIODE	2	
D6467	B0ECHP000003	DIODE	1	
D6468	MA111	DIODE	1	
D6470,71	MA111	DIODE	2	
D6473	MA111	DIODE	1	
D6475	MA111	DIODE	1	
D6476	B0ECHP000003	DIODE	1	
D6477	MA111	DIODE	1	
D6478	B0HCKS000002	DIODE	1	
D6479	MA111	DIODE	1	
D6481,82	MA8330M	ZENER DIODE	2	
D6483-90	MA8056H	ZENER DIODE	8	
D6491,92	B0ECHP000003	DIODE	2	
D6495	B0HCKS000002	DIODE	1	
D6496	B0JCME000037	DIODE	1	
D6501,02	MA111	DIODE	2	
D6503	MA8056H	ZENER DIODE	1	
D6509	MA111	DIODE	1	
D6511	B0HCMM000014	DIODE	1	
D6512-14	MA111	DIODE	3	
D6515	MA8240M	ZENER DIODE	1	
D6516	MA111	DIODE	1	
D6519	MA111	DIODE	1	
D6520	B0JCKG000002	DIODE	1	
D6521	B0ECHP000003	DIODE	1	
D6522	MA111	DIODE	1	
D6523	B0ECHP000003	DIODE	1	
D6524	MA8051L	ZENER DIODE	1	
D6525	MA111	DIODE	1	
D6526	B0HCMM000014	DIODE	1	
D6527	MA111	DIODE	1	
D6529	B0JCME000037	DIODE	1	
D6541	B0HCKS000002	DIODE	1	
D6542	MA111	DIODE	1	
D6543	B0HCKS000002	DIODE	1	
D6544	MA111	DIODE	1	
D6545	MA8051L	ZENER DIODE	1	
D6546-48	MA8330M	ZENER DIODE	3	
D6549,50	MA111	DIODE	2	
D6551	B0JCME000037	DIODE	1	
D6552,53	MA111	DIODE	2	
D6554	B0HCKS000002	DIODE	1	
D6570	B0HCMM000014	DIODE	1	
D6572	B0ECHP000003	DIODE	1	
D6582	MA8051L	ZENER DIODE	1	
D6583	LNJ301MPUJA	LED	1	
D6584	MA111	DIODE	1	
D6585,86	MA8330M	ZENER DIODE	2	
D6601,02	B0HBSN000008	DIODE	2	
D6615	B0ECHP000003	DIODE	1	
D6620	B0HBSN000008	DIODE	1	
D6621	B0ECHP000003	DIODE	1	
D6622	B0HBSN000008	DIODE	1	
D6623	B0ECHP000003	DIODE	1	
D6624	B0HBSN000008	DIODE	1	
D6629	B0HBSN000008	DIODE	1	
D6635	MA8033L	ZENER DIODE	1	
D6636	MA111	DIODE	1	
D6640	B0ECHP000003	DIODE	1	
D6647	B0ECHP000003	DIODE	1	
D6901-03	MA8056H	ZENER DIODE	3	
D6905	B0ECHP000003	DIODE	1	

Ref. No.	Part No.	Part Name & Description	Pcs	Remarks
D6909,10	BOEHP000003	DIODE	2	
D6956,57	MA8056H	ZENER DIODE	2	
D6961,62	BOEHP000003	DIODE	2	
D9000-02	MA3033	ZENER DIODE	3	
D9011,12	MA728	DIODE	2	
D9015,16	MA152K	DIODE	2	
D9700,01	MA728	DIODE	2	
D9900,01	MA152K	DIODE	2	
DG2	K1MN40A00024	40P CONNECTOR	1	
DG3	K1KA20B00155	20P CONNECTOR	1	
DG5	K1KA21B00008	21P CONNECTOR	1	
DG20	K1MN30A00068	30P CONNECTOR	1	
DG32	K1KA08AA0150	8P CONNECTOR	1	
FL1100	JOHABH000012	LC FILTER	1	
FL4016,17	JOHABH000012	LC FILTER	2	
FL4020-23	JOHABH000012	LC FILTER	4	
FL7106	JOHABH000013	LC FILTER	1	
FL7208	JOHABH000013	LC FILTER	1	
FL9000-04	JOHABH000013	LC FILTER	5	
FL9300-02	JOHABH000013	LC FILTER	3	
FL9701,02	JOHABH000012	LC FILTER	2	
FL9703,04	JOHABH000013	LC FILTER	2	
FL9900,01	JOHABH000013	LC FILTER	2	
H2	K1MN40B00045	40P CONNECTOR	1	
H5	K1KA15AA0288	15P CONNECTOR	1	
H6	K1KA09A00230	9P CONNECTOR	1	TH-42PA50A
H6A	K1KA15AA0288	15P CONNECTOR	1	TH-42PA50H/M
H12	K1KA09AA0190	9P CONNECTOR	1	
H15	K1KA04AA0150	4P CONNECTOR	1	
H30	K1MN30A00068	30P CONNECTOR	1	
H50	K1MN35A00013	35P CONNECTOR	1	
H53	K1KA12AA0178	12P CONNECTOR	1	
HMM1-M4	TMM25401	CLAMPER	4	
IC1103	C0DBEZG00013	IC	1	
IC1104	C2CBYF000032	IC	1	
IC1106	CXA1875AM	LINEAR IC	1	
IC1107	TVRN610	IC	1	TH-42PA50H
IC1107	TVRN611	IC	1	TH-42PA50A
IC1107	TVRN776	IC	1	TH-42PA50M
IC1108	COEBE0000336	IC	1	
IC1109	C0JBBZ000281	IC	1	
IC1110	C0CBCBD00043	IC	1	
IC1114	C3ABPG000133	IC	1	
IC1115	TVRN603-1	IC	1	
IC1117	C0JBAZ002186	IC	1	
IC1235	C0ZBZ0001038	IC	1	
IC2103	AN77L08M	IC	1	
IC2104	COABBB000038	IC	1	
IC2105	AN15861A-VT	IC	1	
IC2106	C1AB00002135	IC	1	
IC2107	C0DBEZE00006	IC	1	
IC2108	COEBF0000354	IC	1	
IC2300	C1BB00000800	IC	1	
IC2302	NJM2904M	LINEAR IC	1	
IC2305,06	C1BB00000818	IC	2	

Ref. No.	Part No.	Part Name & Description	Pcs	Remarks
IC3005	AN15866A-VT	IC	1	
IC3006	CXA1315M	LINEAR IC	1	
IC4005	C1AB00002298	IC	1	
IC4008	C0CBCBD00008	IC	1	
IC4009	C0CBCAC00282	IC	1	
IC4011	C0CBCAC00282	IC	1	
IC4012	C1AB00001834	IC	1	
IC4013	C1AB00002202	IC	1	
IC4014	C0JBAZ002186	IC	1	
IC4016	C0FBBD000195	IC	1	
IC4021	C0JBAP000020	IC	1	
IC4024	C0DBZFG00055	IC	1	
IC4025	C0CBCAC00275	IC	1	
IC4041	C0CBCAC00275	IC	1	
IC4042	C0DBEJG00001	IC	1	
IC4044	C0CBCAC00136	IC	1	
IC4048	C0DBEJG00001	IC	1	
IC4049	C0CBCBF00009	IC	1	
IC4051	C1ZBZ0002790	IC	1	
IC4054	C1AB00002234	IC	1	
IC4055	C3ABQJ000040	IC	1	
IC4063	COEBC0000150	IC	1	
IC5601,02	NOBF2DE00001	DC-DC CONVERTER	2	
IC5603	C0DBAJB00004	IC	1	
IC5803	C0DAEZH00017	IC	1	
IC6001-03	C0ZBZ0000895	IC	3	
IC6004	C0ZBZ0001033	IC	1	
IC6005	NJM2903M	INTEGRATED CIRCUIT	1	
IC6006	C0JBAZ000005	IC	1	
IC6011	AN1431M	LINEAR IC	1	
IC6451	AN1431M	LINEAR IC	1	
IC6452,53	C0CBALC00010	IC	2	
IC6454,55	C0CBADC00075	IC	2	
IC6456	AN1431M	LINEAR IC	1	
IC6471,72	AN1431M	LINEAR IC	2	
IC6491	AN1431M	LINEAR IC	1	
IC6501,02	C0JBAZ000994	IC	2	
IC6511	C0ZBZ0001033	IC	1	
IC6512	C0CBADC00075	IC	1	
IC6521	C0ZBZ0001033	IC	1	
IC6541,42	C0ZBZ0001033	IC	2	
IC6543	C0CBADC00075	IC	1	
IC6581	NJM2903M	INTEGRATED CIRCUIT	1	
IC6601,02	C0ZBZ0000895	IC	2	
IC6605,06	C0JBAZ000005	IC	2	
IC6607	C0JBAA000174	IC	1	
IC6901-04	AN16021A-VT	IC	4	
IC6955-58	AN16021A-VT	IC	4	
IC7101	C0JBAZ001120	IC	1	
IC7104-06	C0JBAZ001120	IC	3	
IC7201-04	C0JBAZ001120	IC	4	
IC9001	TVRN460-1	IC	1	
IC9003	C2CBJG000660	IC	1	
IC9004	COEBE0000120	IC	1	
IC9005,06	C0JBAZ000856	IC	2	
IC9007	TVRN462	IC	1	
IC9008	C0DBEJG00001	IC	1	
IC9200	C1ZBZ0002769	IC	1	
IC9300	MN84512-A	IC	1	
IC9301	PST9128NR	IC (LOGIC)	1	
IC9302	C3ABQJ000031	IC	1	
IC9303	TVRN461-1	IC	1	

Ref. No.	Part No.	Part Name & Description	Pcs	Remarks
IC9500	C1ZBZ0002599	IC	1	
IC9502	C0JBAZ000856	IC	1	
IC9504	C0JBAZ000856	IC	1	
IC9700	C0DBEJG00001	IC	1	
IC9702	C0DBAZH00020	IC	1	
JK3100A	TJB0A639	TERMINAL	1	
JS012	ERJ3GEY0R00	M 0 OHM, 1/16W	1	TH-42PA50H/M
JS027	ERJ3GEY0R00	M 0 OHM, 1/16W	1	TH-42PA50H/M
JS1000	ERJ3GEY0R00	M 0 OHM, 1/16W	1	
JS1177	ERJ3GEY0R00	M 0 OHM, 1/16W	1	
JS2003	ERJ3GEY0R00	M 0 OHM, 1/16W	1	TH-42PA50H/M
JS2004	ERJ3GEY0R00	M 0 OHM, 1/16W	1	TH-42PA50A
JS2026	ERJ3GEY0R00	M 0 OHM, 1/16W	1	
JS2031-33	ERJ3GEY0R00	M 0 OHM, 1/16W	3	
JS2101, 02	ERJ3GEY0R00	M 0 OHM, 1/16W	2	
JS2105, 06	ERJ3GEY0R00	M 0 OHM, 1/16W	2	
JS2108	ERJ3GEY0R00	M 0 OHM, 1/16W	1	
JS2109	ERJ6GEY0R00	M 0 OHM, 1/10W	1	
JS2111	ERJ3GEY0R00	M 0 OHM, 1/16W	1	TH-42PA50H/M
JS2114, 15	ERJ3GEY0R00	M 0 OHM, 1/16W	2	
JS2304-11	ERJ6GEY0R00	M 0 OHM, 1/10W	8	
JS2315	ERJ3GEY0R00	M 0 OHM, 1/16W	1	
JS2317-24	ERJ6GEY0R00	M 0 OHM, 1/10W	8	
JS2329-32	ERJ6GEY0R00	M 0 OHM, 1/10W	4	
JS3001	ERJ3GEY0R00	M 0 OHM, 1/16W	1	
JS3010-15	ERJ6GEY0R00	M 0 OHM, 1/10W	6	
JS3022, 23	ERJ3GEY0R00	M 0 OHM, 1/16W	2	
JS3028	ERJ3GEY0R00	M 0 OHM, 1/16W	1	TH-42PA50H/M
JS3029	ERJ3GEY0R00	M 0 OHM, 1/16W	1	
JS3202	J0JCC0000241	CHIP INDUCTOR	1	
JS3205	J0JCC0000241	CHIP INDUCTOR	1	
JS3206	ERJ3GEY0R00	M 0 OHM, 1/16W	1	
JS3208	ERJ3GEY0R00	M 0 OHM, 1/16W	1	TH-42PA50H/M
JS3244, 45	J0JCC0000241	CHIP INDUCTOR	2	TH-42PA50H/M
JS3248	ERJ6GEY0R00	M 0 OHM, 1/10W	1	
JS3252	ERJ6GEY0R00	M 0 OHM, 1/10W	1	
JS3255	ERJ6GEY0R00	M 0 OHM, 1/10W	1	
JS3256	ERJ3GEY0R00	M 0 OHM, 1/16W	1	TH-42PA50A
JS3261	ERJ3GEY0R00	M 0 OHM, 1/16W	1	TH-42PA50A
JS3265	ERJ3GEY0R00	M 0 OHM, 1/16W	1	
JS3302-04	ERJ3GEY0R00	M 0 OHM, 1/16W	3	
JS3327, 28	ERJ3GEY0R00	M 0 OHM, 1/16W	2	
JS3329	ERJ3GEY0R00	M 0 OHM, 1/16W	1	TH-42PA50H/M
JS3330-37	ERJ3GEY0R00	M 0 OHM, 1/16W	8	
JS3339-45	ERJ3GEY0R00	M 0 OHM, 1/16W	7	
JS3354-57	ERJ3GEY0R00	M 0 OHM, 1/16W	4	
JS3359	ERJ3GEY0R00	M 0 OHM, 1/16W	1	
JS3366-68	ERJ3GEY0R00	M 0 OHM, 1/16W	3	
JS3401-08	ERJ3GEY0R00	M 0 OHM, 1/16W	8	
JS3422-24	ERJ3GEY0R00	M 0 OHM, 1/16W	3	
JS4002	ERJ3GEY0R00	M 0 OHM, 1/16W	1	
JS4004-09	ERJ3GEY0R00	M 0 OHM, 1/16W	6	
JS4012-14	ERJ3GEY0R00	M 0 OHM, 1/16W	3	
JS4022, 23	ERJ3GEY0R00	M 0 OHM, 1/16W	2	

Ref. No.	Part No.	Part Name & Description	Pcs	Remarks
JS4027-30	ERJ3GEY0R00	M 0 OHM, 1/16W	4	
JS4081	ERJ3GEY0R00	M 0 OHM, 1/16W	1	
JS4084	ERJ3GEY0R00	M 0 OHM, 1/16W	1	
JS4087-92	ERJ3GEY0R00	M 0 OHM, 1/16W	6	
JS4095, 96	ERJ3GEY0R00	M 0 OHM, 1/16W	2	
JS4901	ERJ3GEY0R00	M 0 OHM, 1/16W	1	
JS5602	ERJ3GEY0R00	M 0 OHM, 1/16W	1	
JS5609-12	ERJ6GEY0R00	M 0 OHM, 1/10W	4	
JS5801, 02	ERJ6GEY0R00	M 0 OHM, 1/10W	2	
JS5805-08	ERJ6GEY0R00	M 0 OHM, 1/10W	4	
JS5810-18	ERJ6GEY0R00	M 0 OHM, 1/10W	9	
K1	K1KA12BA0053	12P CONNECTOR	1	
L001	J0JGC0000021	CHIP INDUCTOR COIL	1	TH-42PA50H/M
L003-05	J0JCC0000364	CHIP INDUCTOR	3	TH-42PA50A
L004,05	J0JHC0000078	CHIP INDUCTOR	2	TH-42PA50H/M
L006,07	J0JCC0000241	CHIP INDUCTOR	2	TH-42PA50A
L007	EXC3BB221H	BEAD CHOKE	1	TH-42PA50H/M
L008	EXC3BB221H	BEAD CHOKE	1	TH-42PA50A
L008-11	J0JCC0000241	CHIP INDUCTOR	4	TH-42PA50H/M
L012	J0JCC0000241	CHIP INDUCTOR	1	TH-42PA50A
L013	J0JCC0000241	CHIP INDUCTOR	1	TH-42PA50H/M
L015	J0JGC0000021	CHIP INDUCTOR COIL	1	TH-42PA50H/M
L017,18	J0JGC0000021	CHIP INDUCTOR COIL	2	TH-42PA50A
L018,19	J0JHC0000078	CHIP INDUCTOR	2	TH-42PA50H/M
L019	J0JCC0000241	CHIP INDUCTOR	1	TH-42PA50A
L021,22	J0JCC0000241	CHIP INDUCTOR	2	TH-42PA50H/M
L024	EXC3BB221H	BEAD CHOKE	1	TH-42PA50H/M
L025,26	J0JCC0000241	CHIP INDUCTOR	2	TH-42PA50H/M
L028	J0JGC0000021	CHIP INDUCTOR COIL	1	TH-42PA50H/M
L031	J0JGC0000021	CHIP INDUCTOR COIL	1	TH-42PA50H/M
L1009	J0JHC0000078	CHIP INDUCTOR	1	
L1110-14	J0JHC0000078	CHIP INDUCTOR	5	
L1120	J0JHC0000078	CHIP INDUCTOR	1	
L1170	J0JHC0000078	CHIP INDUCTOR	1	
L1172	ELJFA8R2KB	CHIP INDUCTOR	1	
L1174	J0JCC0000241	CHIP INDUCTOR	1	
L1175,76	J0JHC0000078	CHIP INDUCTOR	2	
L2003,04	EXC3BB221H	BEAD CHOKE	2	
L2007,08	EXC3BB221H	BEAD CHOKE	2	
L2011,12	EXC3BB221H	BEAD CHOKE	2	
L2015,16	EXC3BB221H	BEAD CHOKE	2	
L2107,08	J0JCC0000241	CHIP INDUCTOR	2	
L2109,10	TSK1032	BEAD CHOKE	2	
L2111,12	J0JCC0000241	CHIP INDUCTOR	2	
L2113,14	TSK1032	BEAD CHOKE	2	
L2115,16	J0JCC0000241	CHIP INDUCTOR	2	
L2117	ELESE6R8KA	PEAKING COIL	1	
L2118	EXCELDR35C	BEAD CHOKE	1	TH-42PA50A
L2120	J0JCC0000241	CHIP INDUCTOR	1	
L2121	EXCELDR35C	BEAD CHOKE	1	
L2122	TSK1032	BEAD CHOKE	1	
L2123	ERJ3GEY0R00	M 0 OHM, 1/16W	1	
L2178,79	J0JCC0000241	CHIP INDUCTOR	2	
L2182-87	J0JCC0000241	CHIP INDUCTOR	6	
L2204	J0JCC0000241	CHIP INDUCTOR	1	

Ref. No.	Part No.	Part Name & Description	Pcs	Remarks
L2305,06	GOA100ZA0033	CHOKE COIL	2	
L2312,13	GOA100ZA0033	CHOKE COIL	2	
L2316-19	JOJJC0000011	CHIP INDUCTOR	4	
L3001-03	EXC3BB221H	BEAD CHOKE	3	
L3009	JOJCC0000241	CHIP INDUCTOR	1	
L3010	EXC3BB221H	BEAD CHOKE	1	
L3011	ELJPA100KB	CHIP INDUCTOR	1	
L3013	EXC3BB221H	BEAD CHOKE	1	
L3211	ELJNC15NKB	CHIP COIL	1	
L3212	EXC3BB221H	BEAD CHOKE	1	
L3213	ELJNC15NKB	CHIP COIL	1	TH-42PA50H/M
L3214	JOJCC0000364	CHIP INDUCTOR	1	TH-42PA50H/M
L3216	JOJGC0000021	CHIP INDUCTOR COIL	1	
L3217	JOJCC0000364	CHIP INDUCTOR	1	TH-42PA50H/M
L3219	JOJGC0000021	CHIP INDUCTOR COIL	1	TH-42PA50H/M
L4001	JOJHC0000078	CHIP INDUCTOR	1	
L4003,04	JOJHC0000078	CHIP INDUCTOR	2	
L4006-08	JOJHC0000078	CHIP INDUCTOR	3	
L4104	JOJCC0000241	CHIP INDUCTOR	1	
L4105	JOJHC0000078	CHIP INDUCTOR	1	
L4106	JOJCC0000241	CHIP INDUCTOR	1	
L4151	JOJCC0000241	CHIP INDUCTOR	1	
L4231	JOJCC0000241	CHIP INDUCTOR	1	
L4301	JOJHC0000078	CHIP INDUCTOR	1	
L4341-43	JOJHC0000078	CHIP INDUCTOR	3	
L4344	JOJCC0000241	CHIP INDUCTOR	1	
L4345	JOJHC0000078	CHIP INDUCTOR	1	
L4346	TALC168T100K	CHIP INDUCTOR COIL	1	
L4347,48	JOJCC0000241	CHIP INDUCTOR	2	
L4350	JOJHC0000078	CHIP INDUCTOR	1	
L4501	JOJHC0000078	CHIP INDUCTOR	1	
L4503,04	JOJHC0000078	CHIP INDUCTOR	2	
L4505	JOJCC0000241	CHIP INDUCTOR	1	
L4506	JOJHC0000078	CHIP INDUCTOR	1	
L4508,09	JOJHC0000078	CHIP INDUCTOR	2	
L4510	JOJCC0000241	CHIP INDUCTOR	1	
L4511	JOJHC0000078	CHIP INDUCTOR	1	
L4701	JOJHC0000078	CHIP INDUCTOR	1	
L4751	JOJCC0000241	CHIP INDUCTOR	1	
L4801-03	JOJHC0000078	CHIP INDUCTOR	3	
L4861,62	JOJHC0000078	CHIP INDUCTOR	2	
L4900	JOJHC0000078	CHIP INDUCTOR	1	
L5604	GOA470GA0002	CHOKE COIL	1	
L5605	G1C1R0MA0072	CHOKE COIL	1	
L5606	TALLO8N120KA	INDUCTION COIL	1	
L5607	G0C101K00023	PEAKING COIL	1	
L5608	G1C100MA0072	CHOKE COIL	1	
L5609	TALLO8N120KA	INDUCTION COIL	1	
L5610	G1C470MA0077	INDUCTION COIL	1	
L5611	G1A470ZA0007	CHOKE COIL	1	
L5612	GOA220GA0002	CHOKE COIL	1	
L5613,14	G1A470ZA0007	CHOKE COIL	2	
L5615	GOA220GA0002	CHOKE COIL	1	
L5616	G1A470ZA0007	CHOKE COIL	1	
L5808	GOA100GA0013	CHOKE COIL	1	
L5810	GOA100GA0013	CHOKE COIL	1	
L6002-04	GOZZ00002183	PEAKING COIL	3	
L6005	G0C101K00023	PEAKING COIL	1	
L6011-13	GOAR60MA0003	CHOKE COIL	3	
L6014,15	GOA1R0MA0003	CHOKE COIL	2	

Ref. No.	Part No.	Part Name & Description	Pcs	Remarks
L6018	JOJJC0000021	CHIP INDUCTOR	1	
L6019	GOZZ00002183	PEAKING COIL	1	
L6022	JOJJC0000021	CHIP INDUCTOR	1	
L6024-27	GOZZ00002183	PEAKING COIL	4	
L6034-37	GOZZ00002183	PEAKING COIL	4	
L6042,43	JOJJC0000021	CHIP INDUCTOR	2	
L6047	JOJJC0000021	CHIP INDUCTOR	1	
L6050	GOZZ00002183	PEAKING COIL	1	
L6451	JOJJC0000021	CHIP INDUCTOR	1	
L6453	JOJJC0000021	CHIP INDUCTOR	1	
L6471	JOJJC0000021	CHIP INDUCTOR	1	
L6472	GOZZ00002183	PEAKING COIL	1	
L6602	GOZZ00002183	PEAKING COIL	1	
L6604,05	GOZZ00002183	PEAKING COIL	2	
L6611-13	GOAR60MA0003	CHOKE COIL	3	
L6614,15	GOA1R0MA0003	CHOKE COIL	2	
L6618	JOJJC0000021	CHIP INDUCTOR	1	
L6624-27	GOZZ00002183	PEAKING COIL	4	
L6634-37	GOZZ00002183	PEAKING COIL	4	
L6647	JOJJC0000021	CHIP INDUCTOR	1	
L9200	G1C150KA0038	INDUCTION COIL	1	
L9500,01	JOJHC0000078	CHIP INDUCTOR	2	
L9700	G1C4R3M00003	CHIP INDUCTOR	1	
L9701	G1C6R8M00009	CHIP INDUCTOR	1	
PA7	K1KA08AA0192	8P CONNECTOR	1	
PA10	K1KA06A00452	6P CONNECTOR	1	
PA20	K1MN30A00068	30P CONNECTOR	1	
PA30	K1MN30A00068	30P CONNECTOR	1	
PA5601,02	K5H4022A0023	FUSE	2	
PB5	K1KA11AA0194	11P CONNECTOR	1	
PB7	K1KA08AA0192	8P CONNECTOR	1	
PC6458	B3PBA0000223	IC	1	
PC6467	B3PBA0000223	IC	1	
PC6469	B3PBA0000223	IC	1	
PC6474	B3PBA0000223	IC	1	
PC6480	B3PBA0000223	IC	1	
PC6503	B3PBA0000233	IC	1	
PC6505	B3PBA0000233	IC	1	
PC6507	B3PBA0000233	IC	1	
PC6509,10	B3PBA0000234	IC	2	
PC6517	B3PBA0000223	IC	1	
Q1170	2SA207700L	TRANSISTOR	1	
Q1172	2SD601A	TRANSISTOR	1	
Q1174,75	2SD601A	TRANSISTOR	2	
Q1176	UN5211	TRANSISTOR	1	
Q1177	UN5111	TRANSISTOR	1	
Q1178	UN5211	TRANSISTOR	1	
Q1180	UN5211	TRANSISTOR	1	
Q1182	2SD601A	TRANSISTOR	1	
Q1184	2SD601A	TRANSISTOR	1	
Q1200	2SD601A	TRANSISTOR	1	
Q2001,02	2SD601A	TRANSISTOR	2	
Q2011	2SB709A	TRANSISTOR	1	
Q2012	2SD601A	TRANSISTOR	1	
Q2013	2SB709A	TRANSISTOR	1	
Q2102-05	2SB709A	TRANSISTOR	4	
Q2106-09	2SD601A	TRANSISTOR	4	TH-42PA50A

Ref. No.	Part No.	Part Name & Description	Pcs	Remarks
Q2300	2SC584500L	TRANSISTOR	1	
Q2301	2SD601A	TRANSISTOR	1	
Q2302	2SC584500L	TRANSISTOR	1	
Q2314-17	2SC584500L	TRANSISTOR	4	
Q2323	2SA207700L	TRANSISTOR	1	
Q2324	2SC584500L	TRANSISTOR	1	
Q2510,11	2SD601A	TRANSISTOR	2	
Q2519	2SB709A	TRANSISTOR	1	
Q3002	2SB709A	TRANSISTOR	1	
Q3008	2SB709A	TRANSISTOR	1	
Q3009	2SD601A	TRANSISTOR	1	
Q3010-15	2SB709A	TRANSISTOR	6	
Q3017,18	2SB709A	TRANSISTOR	2	
Q3024	2SB709A	TRANSISTOR	1	TH-42PA50H/M
Q3204-07	2SD601A	TRANSISTOR	4	TH-42PA50H/M
Q3208-11	2SB709A	TRANSISTOR	4	TH-42PA50H/M
Q4006	2SD601A	TRANSISTOR	1	
Q4010-12	2SD601A	TRANSISTOR	3	
Q4013	2SA207700L	TRANSISTOR	1	
Q4015	2SB1218ARL	TRANSISTOR	1	
Q4016	2SA207700L	TRANSISTOR	1	
Q4068	2SD601A	TRANSISTOR	1	
Q4101	2SD601A	TRANSISTOR	1	
Q4103,04	2SD601A	TRANSISTOR	2	
Q4106,07	2SD601A	TRANSISTOR	2	
Q4109-12	2SD601A	TRANSISTOR	4	
Q4301-03	2SD601A	TRANSISTOR	3	
Q4306-08	2SA207700L	TRANSISTOR	3	
Q4309	2SD1030	TRANSISTOR	1	
Q4310,11	2SD601A	TRANSISTOR	2	
Q4900	2SD601A	TRANSISTOR	1	
Q5601	B1DHDC000028	TRANSISTOR	1	
Q5602	2SC584500L	TRANSISTOR	1	
Q5603	B1DHDC000028	TRANSISTOR	1	
Q5604,05	2SC584500L	TRANSISTOR	2	
Q5606	B1DHDC000028	TRANSISTOR	1	
Q5607	2SC584500L	TRANSISTOR	1	
Q5613	2SC584500L	TRANSISTOR	1	
Q5614	2SK3065T100	FET	1	
Q5641-43	2SA207700L	TRANSISTOR	3	
Q5644	2SC584500L	TRANSISTOR	1	
Q6001-03	B1JADN000001	TRANSISTOR	3	
Q6006-08	B1JADN000001	TRANSISTOR	3	
Q6011	2SD2185	TRANSISTOR	1	
Q6012	2SB1073001TV	TRANSISTOR	1	
Q6013	2SD2185	TRANSISTOR	1	
Q6014	2SB1073001TV	TRANSISTOR	1	
Q6021	B1DEKM000001	TRANSISTOR	1	
Q6024	B1DEKM000001	TRANSISTOR	1	
Q6025	2SK620	FET	1	
Q6041,42	B1DFKM000002	TRANSISTOR	2	
Q6045	2SK326800L	FET	1	
Q6046	B1DFKM000002	TRANSISTOR	1	
Q6051	2SD1263A	TRANSISTOR	1	
Q6052	2SC1473A	TRANSISTOR	1	
Q6055,56	2SD601A	TRANSISTOR	2	
Q6451	2SD1263A	TRANSISTOR	1	
Q6454	2SC1473A	TRANSISTOR	1	

Ref. No.	Part No.	Part Name & Description	Pcs	Remarks
Q6461	B1BBCJ000004	TRANSISTOR	1	
Q6462	2SB0709A	TRANSISTOR	1	
Q6463	2SD601A	TRANSISTOR	1	
Q6471	B1BBCJ000004	TRANSISTOR	1	
Q6472	2SB0709A	TRANSISTOR	1	
Q6474	2SD814A	TRANSISTOR	1	
Q6476,77	2SD601A	TRANSISTOR	2	
Q6491	2SD1263A	TRANSISTOR	1	
Q6492	2SC1473A	TRANSISTOR	1	
Q6501-05	2SK620	FET	5	
Q6511,12	B1DFGL000008	TRANSISTOR	2	
Q6520	2SD601A	TRANSISTOR	1	
Q6521	B1DFES000002	TRANSISTOR	1	
Q6522-28	2SK400000L	FET	7	
Q6530	2SB1073001TV	TRANSISTOR	1	
Q6541	2SB1073001TV	TRANSISTOR	1	
Q6542	2SK399500L	FET	1	
Q6544-46	2SK399500L	FET	3	
Q6548	2SK399500L	FET	1	
Q6551	2SD601A	TRANSISTOR	1	
Q6552	B1DEET000002	TRANSISTOR	1	
Q6553	2SB1073001TV	TRANSISTOR	1	
Q6554	2SD2185	TRANSISTOR	1	
Q6555	B1DFES000002	TRANSISTOR	1	
Q6581	2SD601A	TRANSISTOR	1	
Q6583,84	2SK620	FET	2	
Q6601-03	B1JADN000001	TRANSISTOR	3	
Q6606-08	B1JADN000001	TRANSISTOR	3	
Q6611	2SD2185	TRANSISTOR	1	
Q6612	2SB1073001TV	TRANSISTOR	1	
Q6613	2SD2185	TRANSISTOR	1	
Q6614	2SB1073001TV	TRANSISTOR	1	
Q6621	B1DEKM000001	TRANSISTOR	1	
Q6624	B1DEKM000001	TRANSISTOR	1	
Q6901	2SK620	FET	1	
Q9000,01	2SD601A	TRANSISTOR	2	
Q9003	B1DHCC000034	TRANSISTOR	1	
Q9004	2SB709A	TRANSISTOR	1	
Q9008,09	2SK2731T146	FET	2	
Q9010,11	2SD601A	TRANSISTOR	2	
Q9012,13	2SK2731T146	FET	2	
Q9020-23	2SD601A	TRANSISTOR	4	
Q9500	2SK2731T146	FET	1	
Q9700	2SD601A	TRANSISTOR	1	
Q9701,02	B1MBCDA00002	TRANSISTOR	2	
Q9703,04	2SD601A	TRANSISTOR	2	
Q9900,01	2SD601A	TRANSISTOR	2	
R001,02	ERJ3GEYJ102	M 1KOHM,J,1/16W	2	TH-42PA50H/M
R002	ERJ3GEYJ221	M 220 OHM,J,1/16W	1	TH-42PA50A
R003	ERJ3GEY0R00	M 0 OHM, 1/16W	1	TH-42PA50A
R005	ERJ6GEYJ561	M 560 OHM,J,1/10W	1	TH-42PA50A
R006	ERJ3GEYJ472	M 4.7KOHM,J,1/16W	1	TH-42PA50A
R007	ERJ6GEY0R00	M 0 OHM, 1/10W	1	TH-42PA50A
R008,09	ERJ3GEY0R00	M 0 OHM, 1/16W	2	TH-42PA50A
R011,12	ERJ3GEYJ102	M 1KOHM,J,1/16W	2	TH-42PA50H/M
R013,14	ERJ3GEY0R00	M 0 OHM, 1/16W	2	TH-42PA50H/M
R1110,11	ERJ3GEY0R00	M 0 OHM, 1/16W	2	
R1115	ERJ3GEYJ103	M 10KOHM,J,1/16W	1	

Ref. No.	Part No.	Part Name & Description	Pcs	Remarks
R1123	ERJ3GEYJ560	M 56 OHM,J,1/16W	1	
R1125	ERJ3GEYJ560	M 56 OHM,J,1/16W	1	
R1127	ERJ3GEYJ560	M 56 OHM,J,1/16W	1	
R1134	ERJ3GEYJ560	M 56 OHM,J,1/16W	1	
R1146	ERJ3GEYOR00	M 0 OHM, 1/16W	1	
R1149	ERJ3GEYJ220	M 22 OHM,J,1/16W	1	
R1168	ERJ3GEYOR00	M 0 OHM, 1/16W	1	
R1170	TAJAAH0101JV	M 100 OHM,J,1/16W	1	
R1171	ERJ6GEYJ222	M 2.2KOHM,J,1/10W	1	
R1172	ERJ6GEYOR00	M 0 OHM, 1/10W	1	
R1173	ERJ3GEYOR00	M 0 OHM, 1/16W	1	
R1175	ERJ3GEYJ392	M 3.9KOHM,J,1/16W	1	
R1177	ERJ3GEYJ473	M 47KOHM,J,1/16W	1	
R1178	ERJ3GEYJ223	M 22KOHM,J,1/16W	1	
R1180	ERJ3GEYOR00	M 0 OHM, 1/16W	1	
R1185	TAJAAH0101JV	M 100 OHM,J,1/16W	1	
R1186	ERJ3GEYJ331	M 330 OHM,J,1/16W	1	
R1187	ERJ3GEYOR00	M 0 OHM, 1/16W	1	
R1188	ERJ3GEYJ471	M 470 OHM,J,1/16W	1	
R1189	ERJ3GEYJ103	M 10KOHM,J,1/16W	1	
R1190-97	ERJ3GEYOR00	M 0 OHM, 1/16W	8	
R1199	ERJ3GEYOR00	M 0 OHM, 1/16W	1	
R1200	TAJAAH0101JV	M 100 OHM,J,1/16W	1	
R1201	ERJ3GEYOR00	M 0 OHM, 1/16W	1	
R1202-04	ERJ3GEYJ220	M 22 OHM,J,1/16W	3	
R1206	ERJ3GEYOR00	M 0 OHM, 1/16W	1	
R1208,09	ERJ3GEYOR00	M 0 OHM, 1/16W	2	
R1212	ERJ3GEYOR00	M 0 OHM, 1/16W	1	
R1213	ERJ3GEYJ473	M 47KOHM,J,1/16W	1	
R1214	ERJ3GEYJ102	M 1KOHM,J,1/16W	1	
R1215	ERJ3GEYJ472	M 4.7KOHM,J,1/16W	1	
R1216	ERJ3GEYJ103	M 10KOHM,J,1/16W	1	
R1219	ERJ3GEYOR00	M 0 OHM, 1/16W	1	
R1221	ERJ3GEYOR00	M 0 OHM, 1/16W	1	
R1222	ERJ3GEYJ103	M 10KOHM,J,1/16W	1	
R1224	ERJ3GEYJ683	M 68KOHM,J,1/16W	1	
R1225,26	ERJ3GEYJ683	M 68KOHM,J,1/16W	2	TH-42PA50H/M
R1227	ERJ3GEYJ103	M 10KOHM,J,1/16W	1	
R1228	ERJ3GEYJ562	M 5.6KOHM,J,1/16W	1	
R1229	ERJ3GEYOR00	M 0 OHM, 1/16W	1	
R1231	ERJ3GEYJ104	M 100KOHM,J,1/16W	1	
R1232	ERJ3GEYJ683	M 68KOHM,J,1/16W	1	
R1233	ERJ3GEYJ333	M 33KOHM,J,1/16W	1	
R1234	ERJ3GEYJ102	M 1KOHM,J,1/16W	1	
R1235	ERJ3GEYJ563	M 56KOHM,J,1/16W	1	
R1237	ERJ3GEYJ102	M 1KOHM,J,1/16W	1	
R1238	ERJ3GEYOR00	M 0 OHM, 1/16W	1	
R1240	EXB2HV680J	RESISTOR ARRAY	1	
R1242,43	ERJ3GEYJ103	M 10KOHM,J,1/16W	2	
R1244	EXB38V680J	RESISTOR ARRAY	1	
R1248	ERJ3GEYJ104	M 100KOHM,J,1/16W	1	TH-42PA50A
R1249	ERJ3GEYJ223	M 22KOHM,J,1/16W	1	
R1250	ERJ3GEYJ472	M 4.7KOHM,J,1/16W	1	
R1251	ERJ3GEYJ103	M 10KOHM,J,1/16W	1	
R1253	ERJ3GEYOR00	M 0 OHM, 1/16W	1	
R1255	ERJ3GEYJ223	M 22KOHM,J,1/16W	1	
R1258	ERJ3GEYJ472	M 4.7KOHM,J,1/16W	1	
R1263	ERJ3GEYJ103	M 10KOHM,J,1/16W	1	
R1266	EXB2HV680J	RESISTOR ARRAY	1	
R1267	ERJ3EKF2702V	M27.0KOHM, 1/16W	1	
R1268	TAJAAH0101JV	M 100 OHM,J,1/16W	1	
R1269	EXB2HV680J	RESISTOR ARRAY	1	
R1270	ERJ3GEYJ820	M 82 OHM,J,1/16W	1	
R1271	ERJ3GEYOR00	M 0 OHM, 1/16W	1	
R1272,73	D1HG5608A002	NETWORK RESISTER	2	
R1274	ERJ3GEYOR00	M 0 OHM, 1/16W	1	
R1275	TAJAAH0101JV	M 100 OHM,J,1/16W	1	
R1277	TAJAAH0101JV	M 100 OHM,J,1/16W	1	

Ref. No.	Part No.	Part Name & Description	Pcs	Remarks
R1280,81	ERJ3GEYOR00	M 0 OHM, 1/16W	2	
R1283	TAJAAH0680JV	M 68 OHM,J,1/16W	1	
R1284	TAJAAH0101JV	M 100 OHM,J,1/16W	1	
R1285,86	TAJAAH0680JV	M 68 OHM,J,1/16W	2	
R1287	TAJAAH0101JV	M 100 OHM,J,1/16W	1	
R1288	TAJAAH0680JV	M 68 OHM,J,1/16W	1	
R1289,90	ERJ3GEYJ103	M 10KOHM,J,1/16W	2	
R1291-94	TAJAAH0101JV	M 100 OHM,J,1/16W	4	
R1295	ERJ3GEYJ103	M 10KOHM,J,1/16W	1	
R1297	ERJ3GEYJ562	M 5.6KOHM,J,1/16W	1	
R1301	TAJAAH0101JV	M 100 OHM,J,1/16W	1	
R1302	ERJ3GEYJ562	M 5.6KOHM,J,1/16W	1	
R1303	TAJAAH0101JV	M 100 OHM,J,1/16W	1	
R1305	ERJ3GEYJ103	M 10KOHM,J,1/16W	1	
R1306	ERJ3GEYJ472	M 4.7KOHM,J,1/16W	1	
R1307	ERJ3GEYJ102	M 1KOHM,J,1/16W	1	
R1308,09	TAJAAH0680JV	M 68 OHM,J,1/16W	2	
R1311	ERJ3GEYJ201	M 200 OHM,J,1/16W	1	
R1313	TAJAAH0101JV	M 100 OHM,J,1/16W	1	
R1316,17	ERJ3GEYJ103	M 10KOHM,J,1/16W	2	
R1320	ERJ3GEYJ103	M 10KOHM,J,1/16W	1	
R1321	TAJAAH0101JV	M 100 OHM,J,1/16W	1	
R1322	ERJ3GEYOR00	M 0 OHM, 1/16W	1	
R1323,24	ERJ3GEYJ332	M 3.3KOHM,J,1/16W	2	
R1326,27	ERJ3GEYOR00	M 0 OHM, 1/16W	2	
R1329	ERJ3GEYOR00	M 0 OHM, 1/16W	1	
R1330,31	TAJAAH0101JV	M 100 OHM,J,1/16W	2	
R1332,33	ERJ3GEYOR00	M 0 OHM, 1/16W	2	
R1334	ERJ3GEYJ473	M 47KOHM,J,1/16W	1	
R1336,37	ERJ3GEYOR00	M 0 OHM, 1/16W	2	
R1338	ERJ3GEYJ102	M 1KOHM,J,1/16W	1	
R1339-41	ERJ3GEYOR00	M 0 OHM, 1/16W	3	
R1342	ERJ3GEYJ562	M 5.6KOHM,J,1/16W	1	
R1343,44	ERJ3GEYJ332	M 3.3KOHM,J,1/16W	2	
R1345,46	ERJ3GEYJ103	M 10KOHM,J,1/16W	2	
R1347,48	ERJ3GEYJ562	M 5.6KOHM,J,1/16W	2	
R1351	ERJ3GEYJ102	M 1KOHM,J,1/16W	1	
R1355	ERJ3GEYJ562	M 5.6KOHM,J,1/16W	1	
R1359,60	ERJ3GEYJ562	M 5.6KOHM,J,1/16W	2	
R1361	ERJ3GEYJ103	M 10KOHM,J,1/16W	1	
R1365,66	EXB2HV680J	RESISTOR ARRAY	2	
R1372-74	ERJ3GEYJ103	M 10KOHM,J,1/16W	3	
R1380,81	ERJ3GEYJ220	M 22 OHM,J,1/16W	2	
R1384	ERJ3GEYOR00	M 0 OHM, 1/16W	1	
R1389	ERJ3GEYJ153	M 15KOHM,J,1/16W	1	
R1390	ERJ3GEYJ102	M 1KOHM,J,1/16W	1	
R2005	ERJ3GEYJ104	M 100KOHM,J,1/16W	1	
R2006-11	ERJ6GEYJ223	M 22KOHM,J,1/10W	6	
R2012	ERJ3GEYJ104	M 100KOHM,J,1/16W	1	
R2013,14	TAJAAH0101JV	M 100 OHM,J,1/16W	2	
R2015,16	ERJ3GEYJ331	M 330 OHM,J,1/16W	2	
R2042	ERJ3GEYJ105	M 1MOHM,J,1/16W	1	
R2043	ERJ3GEYJ473	M 47KOHM,J,1/16W	1	
R2044	ERJ3GEYJ102	M 1KOHM,J,1/16W	1	



Ref. No.	Part No.	Part Name & Description	Pcs	Remarks
R2045,46	ERJ3GEYJ103	M 10KOHM,J,1/16W	2	
R2047	ERJ3GEYJ222	M 2.2KOHM,J,1/16W	1	
R2048	ERJ6GEYJ471	M 470 OHM,J,1/10W	1	
R2049,50	ERJ3GEYJ103	M 10KOHM,J,1/16W	2	
R2053	ERJ6GEYJ471	M 470 OHM,J,1/10W	1	
R2054	ERJ3GEYJ103	M 10KOHM,J,1/16W	1	
R2113	ERJ3GEY0R00	M 0 OHM, 1/16W	1	
R2124,25	TAJAAH0101JV	M 100 OHM,J,1/16W	2	
R2126,27	ERJ3GEYJ472	M 4.7KOHM,J,1/16W	2	
R2128,29	TAJAAH0101JV	M 100 OHM,J,1/16W	2	
R2130,31	ERJ3GEYJ103	M 10KOHM,J,1/16W	2	
R2132	ERJ3GEYJ333	M 33KOHM,J,1/16W	1	
R2133	ERJ3GEY0R00	M 0 OHM, 1/16W	1	
R2137	ERJ3GEYJ333	M 33KOHM,J,1/16W	1	
R2138	ERJ3GEYJ473	M 47KOHM,J,1/16W	1	
R2147	ERJ3GEYJ473	M 47KOHM,J,1/16W	1	
R2148,49	ERJ3GEYJ273	M 27KOHM,J,1/16W	2	
R2151	ERJ3GEY0R00	M 0 OHM, 1/16W	1	
R2152	TAJAAH0470JV	M 47 OHM,J,1/16W	1	
R2153	ERJ3GEYJ221	M 220 OHM,J,1/16W	1	
R2154	TAJAAH0470JV	M 47 OHM,J,1/16W	1	
R2155,56	ERJ3GEYJ221	M 220 OHM,J,1/16W	2	
R2158	ERJ3GEYJ221	M 220 OHM,J,1/16W	1	
R2164	ERJ3GEYJ221	M 220 OHM,J,1/16W	1	
R2165,66	TAJAAH0101JV	M 100 OHM,J,1/16W	2	
R2167	ERJ3GEYJ221	M 220 OHM,J,1/16W	1	
R2168,69	ERJ3GEYJ472	M 4.7KOHM,J,1/16W	2	
R2172,73	ERJ3GEYJ221	M 220 OHM,J,1/16W	2	
R2180	ERJ8GEY0R00	M 0 OHM, 1/8W	1	
R2182,83	TAJAAH0101JV	M 100 OHM,J,1/16W	2	
R2184-87	ERJ3GEYJ221	M 220 OHM,J,1/16W	4	
R2190	ERJ3GEYJ221	M 220 OHM,J,1/16W	1	TH-42PA50A
R2192,93	ERJ3GEYJ221	M 220 OHM,J,1/16W	2	
R2195,96	J0JCC0000241	CHIP INDUCTOR	2	
R2197	ERJ3GEYJ471	M 470 OHM,J,1/16W	1	
R2198	ERJ6GENF1781	M1.78KOHM, 1/10W	1	
R2199	ERJ3GEYJ221	M 220 OHM,J,1/16W	2	TH-42PA50A
R2200	ERJ3GEYJ221	M 220 OHM,J,1/16W	1	
R2201	ERJ6GENF1601	M 1.6KOHM, 1/10W	1	
R2202	TAJAAH0101JV	M 100 OHM,J,1/16W	1	
R2204	ERJ6GEYJ561	M 560 OHM,J,1/10W	1	TH-42PA50A
R2205	ERJ3GEYJ102	M 1KOHM,J,1/16W	1	TH-42PA50A
R2208	ERJ6GEYJ471	M 470 OHM,J,1/10W	1	TH-42PA50A
R2209	ERJ3GEYJ332	M 3.3KOHM,J,1/16W	1	TH-42PA50A
R2210	ERJ6GEYJ681	M 680 OHM,J,1/10W	1	TH-42PA50A
R2211	ERJ3GEYJ561	M 560 OHM,J,1/16W	1	TH-42PA50A
R2213	ERJ3GEYJ103	M 10KOHM,J,1/16W	1	TH-42PA50A
R2214	ERJ3GEYJ332	M 3.3KOHM,J,1/16W	1	TH-42PA50A
R2215	ERJ3GEYJ331	M 330 OHM,J,1/16W	1	TH-42PA50A
R2216	ERJ3GEYJ102	M 1KOHM,J,1/16W	1	TH-42PA50A
R2217	ERJ3GEYJ472	M 4.7KOHM,J,1/16W	1	TH-42PA50A
R2224,25	ERJ3GEY0R00	M 0 OHM, 1/16W	2	
R2302	ERJ3GEYJ223	M 22KOHM,J,1/16W	1	
R2303	ERJ3GEYJ562	M 5.6KOHM,J,1/16W	1	
R2304	ERJ3GEYJ104	M 100KOHM,J,1/16W	1	
R2305	ERJ3GEYJ471	M 470 OHM,J,1/16W	1	
R2306	ERJ6GEYJ821	M 820 OHM,J,1/10W	1	
R2307	ERJ3GEYJ104	M 100KOHM,J,1/16W	1	
R2308,09	ERJ3GEYJ392	M 3.9KOHM,J,1/16W	2	

Ref. No.	Part No.	Part Name & Description	Pcs	Remarks
R2310	ERJ3GEYJ184	M 180KOHM,J,1/16W	1	
R2311	ERJ12YJ821	M 820 OHM,J, 1/2W	1	
R2312,13	ERJ3GEYJ103	M 10KOHM,J,1/16W	2	
R2314,15	ERJ3GEYJ220	M 22 OHM,J,1/16W	2	
R2320	ERJ3GEYJ222	M 2.2KOHM,J,1/16W	1	
R2321	ERJ3GEYJ393	M 39KOHM,J,1/16W	1	
R2322	ERJ3GEYJ103	M 10KOHM,J,1/16W	1	
R2323	ERJ3GEYJ472	M 4.7KOHM,J,1/16W	1	
R2324	ERJ3GEYJ103	M 10KOHM,J,1/16W	1	
R2325	ERJ3GEYJ913	M 91KOHM,J,1/16W	1	
R2326	TAJAAH0101JV	M 100 OHM,J,1/16W	1	
R2328	ERJ3GEYJ104	M 100KOHM,J,1/16W	1	
R2329	ERJ3GEYJ393	M 39KOHM,J,1/16W	1	
R2330	ERJ3GEYJ563	M 56KOHM,J,1/16W	1	
R2331	ERJ6GEYJ471	M 470 OHM,J,1/10W	1	
R2332	ERJ3GEYJ913	M 91KOHM,J,1/16W	1	
R2335	ERJ3GEYJ104	M 100KOHM,J,1/16W	1	
R2336	ERJ3GEYJ393	M 39KOHM,J,1/16W	1	
R2337	ERJ3GEYJ563	M 56KOHM,J,1/16W	1	
R2338	ERJ3GEY0R00	M 0 OHM, 1/16W	1	
R2339	ERJ3GEYJ913	M 91KOHM,J,1/16W	1	
R2342,43	ERJ6GEY0R00	M 0 OHM, 1/10W	2	
R2344	ERJ3GEYJ913	M 91KOHM,J,1/16W	1	
R2345,46	ERJ3GEYJ563	M 56KOHM,J,1/16W	2	
R2377,78	ERJ3GEY0R00	M 0 OHM, 1/16W	2	
R2381,82	ERJ3GEY0R00	M 0 OHM, 1/16W	2	
R2388,89	ERJ6GEYJ102	M 1KOHM,J,1/10W	2	
R2390	ERJ3GEYJ203	M 20KOHM,J,1/16W	1	
R2391	ERJ3GEYJ103	M 10KOHM,J,1/16W	1	
R2392	ERJ3GEYJ223	M 22KOHM,J,1/16W	1	
R2393	ERJ3GEYJ103	M 10KOHM,J,1/16W	1	
R2394	ERJ3GEYJ203	M 20KOHM,J,1/16W	1	
R2395,96	ERJ3GEYJ103	M 10KOHM,J,1/16W	2	
R2397,98	ERJ3GEYJ473	M 47KOHM,J,1/16W	2	
R2412	ERJ6GEY0R00	M 0 OHM, 1/10W	1	
R2414	ERJ6GEY0R00	M 0 OHM, 1/10W	1	
R2437,38	ERJ3GEYJ103	M 10KOHM,J,1/16W	2	
R2444,45	ERJ6GEYJ102	M 1KOHM,J,1/10W	2	
R2448,49	ERJ6GEYJ510	M 51 OHM,J,1/10W	2	
R2450	ERJ6GEYJ101	M 100 OHM,J,1/10W	1	
R2451,52	ERJ6GEYJ510	M 51 OHM,J,1/10W	2	
R2453	ERJ6GEYJ101	M 100 OHM,J,1/10W	1	
R2460	ERJ6GENF1373	M 137KOHM, 1/10W	1	
R2461	ERJ6GENF1103	M 110KOHM, 1/10W	1	
R2464,65	ERJ6GEYJ120	M 12 OHM,J,1/10W	2	
R2468,69	ERJ6GEYJ112	M 1.1KOHM,J,1/10W	2	
R2488,89	ERJ6GEYJ120	M 12 OHM,J,1/10W	2	
R2499	ERJ3GEYJ472	M 4.7KOHM,J,1/16W	1	
R2516	ERJ6GEYJ223	M 22KOHM,J,1/10W	1	
R2517	ERJ6GEYJ470	M 47 OHM,J,1/10W	1	
R2520	ERJ6GEYJ224	M 220KOHM,J,1/10W	1	
R2524	ERJ6GEYJ223	M 22KOHM,J,1/10W	1	
R2525	ERJ6GENF1002	M 10KOHM, 1/10W	1	
R2526	ERJ6GEYJ562	M 5.6KOHM,J,1/10W	1	
R2542	ERJ6GEYJ101	M 100 OHM,J,1/10W	1	
R2545	ERJ6GEYJ101	M 100 OHM,J,1/10W	1	
R2550	ERJ6GEY0R00	M 0 OHM, 1/10W	1	
R2553	ERJ6GEYJ223	M 22KOHM,J,1/10W	1	
R2557	ERJ6GENF1501	M 1.5KOHM, 1/10W	1	

Ref. No.	Part No.	Part Name & Description	Pcs	Remarks
R3001-10	ERJ6ENF75R0	M 75 OHM, 1/10W	10	
R3012	ERJ6ENF75R0	M 75 OHM, 1/10W	1	
R3020	ERJ6ENF2202	M 2.2KOHM, 1/10W	1	
R3021,22	ERJ3GEYJ103	M 10KOHM,J,1/16W	2	
R3027	ERJ6ENF75R0	M 75 OHM, 1/10W	1	
R3039	ERJ3GEYJ221	M 220 OHM,J,1/16W	1	
R3044,45	ERJ3GEY0R00	M 0 OHM, 1/16W	2	
R3047	ERJ3GEY0R00	M 0 OHM, 1/16W	1	
R3048	ERJ3GEYJ152	M 1.5KOHM,J,1/16W	1	
R3049-51	ERJ3GEYJ103	M 10KOHM,J,1/16W	3	
R3053	ERJ3GEYJ221	M 220 OHM,J,1/16W	1	
R3054	ERJ3GEY0R00	M 0 OHM, 1/16W	1	TH-42PA50H/M
R3054	ERJ3EKF4700	M 470 OHM, 1/16W	2	TH-42PA50A
R3055	ERJ3EKF5600	M 560 OHM, 1/16W	1	
R3057,58	ERJ3GEY0R00	M 0 OHM, 1/16W	2	
R3059	ERJ3GEYJ221	M 220 OHM,J,1/16W	1	
R3064	ERJ3GEYJ221	M 220 OHM,J,1/16W	1	
R3065	ERJ3GEYJ682	M 6.8KOHM,J,1/16W	1	
R3067	ERJ3GEYJ103	M 10KOHM,J,1/16W	1	
R3069	ERJ3GEYJ103	M 10KOHM,J,1/16W	1	
R3071	ERJ3GEYJ103	M 10KOHM,J,1/16W	1	
R3074,75	ERJ3GEYJ221	M 220 OHM,J,1/16W	2	
R3076	ERJ3GEY0R00	M 0 OHM, 1/16W	1	
R3086	ERJ3GEY0R00	M 0 OHM, 1/16W	1	
R3087	ERJ3GEYJ221	M 220 OHM,J,1/16W	1	
R3089,90	TAJAAH0470JV	M 47 OHM,J,1/16W	2	
R3092	ERJ3GEYJ221	M 220 OHM,J,1/16W	1	
R3094,95	ERJ3GEYJ221	M 220 OHM,J,1/16W	2	
R3099-02	ERJ3GEYJ221	M 220 OHM,J,1/16W	4	
R3115-18	TAJAAH0101JV	M 100 OHM,J,1/16W	4	
R3119,20	ERJ3GEY0R00	M 0 OHM, 1/16W	2	
R3121	ERJ3EKF1000	M 100 OHM, 1/16W	1	
R3122	TAJAAH0101JV	M 100 OHM,J,1/16W	1	
R3123	ERJ3EKF82R0	M 82 OHM, 1/16W	1	
R3124	ERJ6GEYJ152	M 1.5KOHM,J,1/10W	1	
R3125	ERJ6GEYJ102	M 1KOHM,J,1/10W	1	
R3126	TAJAAH0101JV	M 100 OHM,J,1/16W	1	
R3127	ERJ6GEYJ102	M 1KOHM,J,1/10W	1	
R3128	ERJ6GEYJ152	M 1.5KOHM,J,1/10W	1	
R3129	TAJAAH0101JV	M 100 OHM,J,1/16W	1	
R3130	ERJ3GEYJ221	M 220 OHM,J,1/16W	1	TH-42PA50H/M
R3131	ERJ3GEY0R00	M 0 OHM, 1/16W	1	TH-42PA50H/M
R3132	ERJ3EKF5600	M 560 OHM, 1/16W	1	TH-42PA50H/M
R3133	ERJ3GEYJ221	M 220 OHM,J,1/16W	1	TH-42PA50H/M
R3134	ERJ3GEYJ104	M 100KOHM,J,1/16W	1	
R3135	ERJ3GEY0R00	M 0 OHM, 1/16W	1	
R3138	ERJ3EKF82R0	M 82 OHM, 1/16W	1	
R3139	ERJ6GEYJ102	M 1KOHM,J,1/10W	1	
R3140	ERJ3EKF1000	M 100 OHM, 1/16W	1	
R3141	ERJ6GEYJ102	M 1KOHM,J,1/10W	1	
R3142	ERJ6GEYJ152	M 1.5KOHM,J,1/10W	1	
R3152,53	TAJAAH0470JV	M 47 OHM,J,1/16W	2	
R3158	TAJAAH0101JV	M 100 OHM,J,1/16W	1	
R3159	ERJ3GEYJ223	M 22KOHM,J,1/16W	1	
R3164	ERJ3GEYJ105	M 1MOHM,J,1/16W	1	
R3166,67	ERJ3GEYJ221	M 220 OHM,J,1/16W	2	
R3206	TAJAAH0101JV	M 100 OHM,J,1/16W	1	TH-42PA50H/M
R3206	ERJ3GEY0R00	M 0 OHM, 1/16W	1	TH-42PA50A
R3213-22	ERJ3GEY0R00	M 0 OHM, 1/16W	10	
R3224-29	ERJ3GEY0R00	M 0 OHM, 1/16W	6	
R3237	TAJAAH0101JV	M 100 OHM,J,1/16W	1	TH-42PA50H/M

Ref. No.	Part No.	Part Name & Description	Pcs	Remarks
R3238-45	ERJ3GEYJ103	M 10KOHM,J,1/16W	8	TH-42PA50H/M
R3246	ERJ3GEYJ472	M 4.7KOHM,J,1/16W	1	TH-42PA50H/M
R3247	ERJ3GEY0R00	M 0 OHM, 1/16W	1	TH-42PA50H/M
R3249	ERJ6GEYJ561	M 560 OHM,J,1/10W	1	TH-42PA50H/M
R3250,51	ERJ3GEY0R00	M 0 OHM, 1/16W	2	
R3252,53	ERJ3GEYJ221	M 220 OHM,J,1/16W	2	TH-42PA50H/M
R3252	ERJ3GEY0R00	M 0 OHM, 1/16W	3	TH-42PA50A
R3254	ERJ6GEY0R00	M 0 OHM, 1/10W	1	TH-42PA50H/M
R3255	ERJ6GEYJ561	M 560 OHM,J,1/10W	1	TH-42PA50H/M
R3256	ERJ3GEY0R00	M 0 OHM, 1/16W	1	TH-42PA50H/M
R3257	ERJ3GEYJ472	M 4.7KOHM,J,1/16W	1	TH-42PA50H/M
R3258-64	ERJ3GEY0R00	M 0 OHM, 1/16W	7	TH-42PA50H/M
R3320	ERJ6GEY0R00	M 0 OHM, 1/10W	1	
R3323,24	ERJ6GEY0R00	M 0 OHM, 1/10W	2	
R3401-07	ERJ6GEY0R00	M 0 OHM, 1/10W	7	
R3408,09	ERJ3GEYJ361	M 360 OHM,J,1/16W	2	
R3750	ERJ6ENF6802	M 68KOHM, 1/10W	1	
R3751	ERJ6ENF2202	M 2.2KOHM, 1/10W	1	
R3752	ERJ6GEY0R00	M 0 OHM, 1/10W	1	
R3753	ERJ6ENF6801	M 6.8KOHM, 1/10W	1	
R3754	ERJ6ENF1202	M 12KOHM, 1/10W	1	
R4001	ERJ3GEY0R00	M 0 OHM, 1/16W	1	
R4009	ERJ3GEY0R00	M 0 OHM, 1/16W	1	
R4014	ERJ3EKF1500	M 150 OHM, 1/16W	1	
R4016,17	ERJ3EKF5760	M 576 OHM, 1/16W	2	
R4027	ERJ3EKF1500	M 150 OHM, 1/16W	1	
R4029,30	ERJ3EKF1581	M 1.58KOHM, 1/10W	2	
R4031	ERJ3EKF4220	M 422 OHM, 1/10W	1	
R4033	ERJ3EKF2201	M 2.2KOHM, 1/16W	1	
R4035,36	ERJ3EKF3001	M 3KOHM, 1/16W	2	
R4037	ERJ3EKF5600	M 560 OHM, 1/16W	1	
R4039	ERJ3EKF4220	M 422 OHM, 1/10W	1	
R4041	ERJ6GEYJ102	M 1KOHM,J,1/10W	1	
R4043,44	ERJ6GEYJ102	M 1KOHM,J,1/10W	2	
R4045	ERJ3EKF2201	M 2.2KOHM, 1/16W	1	
R4046	ERJ6GEYJ102	M 1KOHM,J,1/10W	1	
R4047	ERJ3EKF5600	M 560 OHM, 1/16W	1	
R4049	ERJ3GEY0R00	M 0 OHM, 1/16W	1	
R4050	ERJ6GEYJ102	M 1KOHM,J,1/10W	1	
R4051,52	ERJ3GEY0R00	M 0 OHM, 1/16W	2	
R4053	ERJ6GEYJ102	M 1KOHM,J,1/10W	1	
R4054	ERJ3EKF1600	M 160 OHM, 1/16W	1	
R4055	ERJ3GEY0R00	M 0 OHM, 1/16W	1	
R4056,57	ERJ6GEYJ102	M 1KOHM,J,1/10W	2	
R4059	ERJ3EKF2702V	M 27.0KOHM, 1/16W	1	
R4060	ERJ3EKF4302	M 43KOHM, 1/16W	1	
R4062	ERJ3GEY0R00	M 0 OHM, 1/16W	1	
R4064	ERJ3EKF1371	M 13.7 OHM, 1/16W	1	
R4068	ERJ3EKF1691	M 1.69KOHM, 1/16W	1	
R4069-72	ERJ3GEYJ220	M 22 OHM,J,1/16W	4	
R4075	ERJ3GEYJ220	M 22 OHM,J,1/16W	1	
R4076,77	EXB38V220J	RESISTOR ARRAY	2	
R4078	ERJ3GEYJ220	M 22 OHM,J,1/16W	1	
R4079-81	EXB38V220J	RESISTOR ARRAY	3	
R4082-84	ERJ3GEYJ220	M 22 OHM,J,1/16W	3	
R4086-88	ERJ3GEY0R00	M 0 OHM, 1/16W	3	
R4091-95	ERJ3GEY0R00	M 0 OHM, 1/16W	5	
R4100	ERJ3GEYJ183	M 18KOHM,J,1/16W	1	

Ref. No.	Part No.	Part Name & Description	Pcs	Remarks
R4101	ERJ3GEYJ822	M 8.2KOHM,J,1/16W	1	
R4102	ERJ3GEYJ183	M 18KOHM,J,1/16W	1	
R4103	ERJ3GEYJ822	M 8.2KOHM,J,1/16W	1	
R4104	ERJ3GEYJ183	M 18KOHM,J,1/16W	1	
R4106	ERJ3GEYJ822	M 8.2KOHM,J,1/16W	1	
R4107-09	ERJ3GEYJ330	M 33 OHM,J,1/16W	3	
R4110	ERJ3GEYJ751	M 750 OHM,J,1/16W	1	
R4111	ERJ3EKF5601	M 5.6KOHM, 1/16W	1	
R4112	ERJ3GEYJ751	M 750 OHM,J,1/16W	1	
R4113	ERJ3EKF5601	M 5.6KOHM, 1/16W	1	
R4114	ERJ3GEYJ751	M 750 OHM,J,1/16W	1	
R4115	ERJ3EKF5601	M 5.6KOHM, 1/16W	1	
R4117	ERJ6ENF5600	M 560 OHM, 1/10W	1	
R4118	ERJ3GEY0R00	M 0 OHM, 1/16W	1	
R4120	ERJ6ENF5600	M 560 OHM, 1/10W	1	
R4123	ERJ6ENF5600	M 560 OHM, 1/10W	1	
R4125-27	ERJ6GEYJ471	M 470 OHM,J,1/10W	3	
R4128	ERJ3GEY0R00	M 0 OHM, 1/16W	1	
R4130	ERJ3GEY0R00	M 0 OHM, 1/16W	1	
R4132	ERJ3GEY0R00	M 0 OHM, 1/16W	1	
R4134-36	TAJAAH0680JV	M 68 OHM,J,1/16W	3	
R4137-39	ERJ3GEYJ330	M 33 OHM,J,1/16W	3	
R4140	ERJ3GEYJ103	M 10KOHM,J,1/16W	1	
R4143	ERJ3GEY0R00	M 0 OHM, 1/16W	1	
R4144-46	ERJ3GEYJ471	M 470 OHM,J,1/16W	3	
R4147-49	ERJ3GEYJ153	M 15KOHM,J,1/16W	3	
R4150	ERJ3GEY0R00	M 0 OHM, 1/16W	1	
R4151,52	ERJ3EKF2200	M 220 OHM, 1/16W	2	
R4153	ERJ3EKF1020	M 102 OHM, 1/16W	1	
R4154	ERJ3GEYJ220	M 22 OHM,J,1/16W	1	
R4155	ERJ3GEYJ103	M 10KOHM,J,1/16W	1	
R4157,58	ERJ3GEYJ220	M 22 OHM,J,1/16W	2	
R4159	ERJ3EKF1200	M 120 OHM, 1/16W	1	
R4160	ERJ3EKF1020	M 102 OHM, 1/16W	1	
R4161	ERJ3EKF1200	M 120 OHM, 1/16W	1	
R4163	ERJ3GEY0R00	M 0 OHM, 1/16W	1	
R4165	TAJAAH0680JV	M 68 OHM,J,1/16W	1	
R4167	ERJ3GEY0R00	M 0 OHM, 1/16W	1	
R4169	ERJ3GEY0R00	M 0 OHM, 1/16W	1	
R4173	ERJ3GEYJ271	M 270 OHM,J,1/16W	1	
R4174,75	ERJ3GEY0R00	M 0 OHM, 1/16W	2	
R4177	TAJAAH0680JV	M 68 OHM,J,1/16W	1	
R4182	ERJ3GEY0R00	M 0 OHM, 1/16W	1	
R4184	TAJAAH0680JV	M 68 OHM,J,1/16W	1	
R4186	ERJ3GEY0R00	M 0 OHM, 1/16W	1	
R4188	ERJ3GEY0R00	M 0 OHM, 1/16W	1	
R4194-97	TAJAAH0680JV	M 68 OHM,J,1/16W	4	
R4199	ERJ3EKF1200	M 120 OHM, 1/16W	1	
R4203	ERJ3EKF1020	M 102 OHM, 1/16W	1	
R4204	ERJ3GEYJ510	M 51 OHM,J,1/16W	1	
R4207	ERJ3EKF1500	M 150 OHM, 1/16W	1	
R4208	ERJ3GEYJ510	M 51 OHM,J,1/16W	1	
R4209	ERJ3EKF2200	M 220 OHM, 1/16W	1	
R4210	TAJAAH0101JV	M 100 OHM,J,1/16W	1	
R4211	ERJ3GEY0R00	M 0 OHM, 1/16W	1	
R4228	ERJ3GEY0R00	M 0 OHM, 1/16W	1	
R4236-38	ERJ3GEY0R00	M 0 OHM, 1/16W	3	
R4244	ERJ3GEYJ102	M 1KOHM,J,1/16W	1	
R4249	EXB38V680J	RESISTOR ARRAY	1	
R4253	EXB38V680J	RESISTOR ARRAY	1	
R4255	ERJ3GEY0R00	M 0 OHM, 1/16W	1	
R4259	EXB38V680J	RESISTOR ARRAY	1	
R4301	ERJ3GEYJ361	M 360 OHM,J,1/16W	1	
R4303	ERJ3GEYJ181	M 180 OHM,J,1/16W	1	

Ref. No.	Part No.	Part Name & Description	Pcs	Remarks
R4305	ERJ3GEYJ181	M 180 OHM,J,1/16W	1	
R4307	ERJ6GEYJ361	M 360 OHM,J,1/10W	1	
R4308,09	ERJ6GEYJ561	M 560 OHM,J,1/10W	2	
R4315	ERJ3EKF8450	M 845 OHM, 1/16W	1	
R4318,19	ERJ3EKF4700	M 470 OHM, 1/16W	2	
R4320,21	ERJ3EKF3601	M 3.6KOHM, 1/16W	2	
R4325	ERJ3EKF1331	M13.3KOHM, 1/16W	1	
R4326,27	ERJ6GEYJ821	M 820 OHM,J,1/10W	2	
R4328	ERJ6GEYJ681	M 680 OHM,J,1/10W	1	
R4329-31	ERJ3GEYJ330	M 33 OHM,J,1/16W	3	
R4332	ERJ6GEYJ331	M 330 OHM,J,1/10W	1	
R4333	ERJ3GEY0R00	M 0 OHM, 1/16W	1	
R4334,35	ERJ6GEYJ471	M 470 OHM,J,1/10W	2	
R4336-41	ERJ3GEY0R00	M 0 OHM, 1/16W	6	
R4342-44	ERJ3EKF33R0	M 33 OHM, 1/16W	3	
R4345	ERJ3EKF1401	M 1.4KOHM, 1/16W	1	
R4346-48	ERJ3EKF33R0	M 33 OHM, 1/16W	3	
R4349	ERJ3EKF2701	M 2.7KOHM, 1/16W	1	
R4350	ERJ3EKF4700	M 470 OHM, 1/16W	1	
R4351-53	ERJ3EKF1500	M 150 OHM, 1/16W	3	
R4354	ERJ3EKF1001	M 1KOHM, 1/16W	1	
R4355-59	ERJ3GEY0R00	M 0 OHM, 1/16W	5	
R4360	ERJ3GEYJ911	M 910 OHM,J,1/16W	1	
R4361,62	ERJ3GEY0R00	M 0 OHM, 1/16W	2	
R4363	TAJAAH0101JV	M 100 OHM,J,1/16W	1	
R4364,65	ERJ3GEYJ220	M 22 OHM,J,1/16W	2	
R4367	ERJ3GEY0R00	M 0 OHM, 1/16W	1	
R4368,69	ERJ3GEYJ560	M 56 OHM,J,1/16W	2	
R4370	TAJAAH0470JV	M 47 OHM,J,1/16W	1	
R4372	D1HG5608A002	NETWORK RESISTER	1	
R4373,74	EXB38V560J	RESISTOR ARRAY	2	
R4379,80	ERJ3GEYJ220	M 22 OHM,J,1/16W	2	
R4381-83	ERJ3GEYJ221	M 220 OHM,J,1/16W	3	
R4501	TAJAAH0470JV	M 47 OHM,J,1/16W	1	
R4502	ERJ3GEYJ103	M 10KOHM,J,1/16W	1	
R4503	ERJ3EKF1202	M 12KOHM, 1/16W	1	
R4504	ERJ3EKF1800	M 180 OHM, 1/16W	1	
R4505	ERJ3EKF2001	M 2KOHM, 1/16W	1	
R4506	ERJ3EKF4302	M 43KOHM, 1/16W	1	
R4508,09	ERJ3GEYJ220	M 22 OHM,J,1/16W	2	
R4510-14	ERJ3GEY0R00	M 0 OHM, 1/16W	5	
R4515,16	ERJ3EKF1741	M 17.4 OHM, 1/16W	2	
R4518,19	ERJ3GEY0R00	M 0 OHM, 1/16W	2	
R4520,21	ERJ3GEYJ103	M 10KOHM,J,1/16W	2	
R4522	ERJ3GEYJ750	M 75 OHM,J,1/16W	1	
R4523,24	ERJ3GEY0R00	M 0 OHM, 1/16W	2	
R4525	ERJ3GEYJ103	M 10KOHM,J,1/16W	1	
R4526	TAJAAH0470JV	M 47 OHM,J,1/16W	1	
R4527	ERJ3GEYJ393	M 39KOHM,J,1/16W	1	
R4528	ERJ3EKF1001	M 1KOHM, 1/16W	1	
R4529,30	ERJ3GEYJ103	M 10KOHM,J,1/16W	2	
R4531,32	TAJAAH0101JV	M 100 OHM,J,1/16W	2	
R4533	ERJ3EKF9100	M 910 OHM, 1/16W	1	

Ref. No.	Part No.	Part Name & Description	Pcs	Remarks
R4534,35	ERJ3GEYJ220	M 22 OHM, J, 1/16W	2	
R4575,76	ERJ3GEY0R00	M 0 OHM, 1/16W	2	
R4577,78	TAJAAH0680JV	M 68 OHM, J, 1/16W	2	
R4583-03	TAJAAH0680JV	M 68 OHM, J, 1/16W	21	
R4604-06	EXB38V680J	RESISTOR ARRAY	3	
R4609	ERJ3GEY0R00	M 0 OHM, 1/16W	1	
R4610-13	TAJAAH0680JV	M 68 OHM, J, 1/16W	4	
R4614-17	EXB2HV680J	RESISTOR ARRAY	4	
R4618	EXB38V680J	RESISTOR ARRAY	1	
R4619	EXB2HV680J	RESISTOR ARRAY	1	
R4620	ERJ3GEY0R00	M 0 OHM, 1/16W	1	
R4659	TAJAAH0680JV	M 68 OHM, J, 1/16W	1	
R4661	TAJAAH0680JV	M 68 OHM, J, 1/16W	1	
R4662,63	ERJ3GEYJ220	M 22 OHM, J, 1/16W	2	
R4664	TAJAAH0101JV	M 100 OHM, J, 1/16W	1	
R4671	EXB38V680J	RESISTOR ARRAY	1	
R4672	ERJ3GEYJ103	M 10KOHM, J, 1/16W	1	
R4701,02	ERJ3EKF3002	M 30KOHM, 1/16W	2	
R4704,05	ERJ3EKF1741	M 17.4 OHM, 1/16W	2	
R4706-10	ERJ3GEY0R00	M 0 OHM, 1/16W	5	
R4756-58	ERJ3GEYJ330	M 33 OHM, J, 1/16W	3	
R4759	ERJ3GEYJ510	M 51 OHM, J, 1/16W	1	
R4760	ERJ3GEYJ103	M 10KOHM, J, 1/16W	1	
R4762	ERJ3GEYJ330	M 33 OHM, J, 1/16W	1	
R4763	ERJ3GEYJ103	M 10KOHM, J, 1/16W	1	
R4766	ERJ3GEY0R00	M 0 OHM, 1/16W	1	
R4768	ERJ3GEY0R00	M 0 OHM, 1/16W	1	
R4769	ERJ3GEYJ151	M 150 OHM, J, 1/16W	1	
R4802	ERJ3GEYJ103	M 10KOHM, J, 1/16W	1	
R4805	ERJ3GEYJ103	M 10KOHM, J, 1/16W	1	
R4807,08	ERJ3GEYJ223	M 22KOHM, J, 1/16W	2	
R4810	ERJ3GEYJ103	M 10KOHM, J, 1/16W	1	
R4821-23	EXB38VR000	RESISTOR ARRAY	3	
R4834	ERJ3GEYJ103	M 10KOHM, J, 1/16W	1	
R4851	ERJ3GEYJ821	M 820 OHM, J, 1/16W	1	
R4884	ERJ3GEY0R00	M 0 OHM, 1/16W	1	
R4887,88	ERJ3GEY0R00	M 0 OHM, 1/16W	2	
R4897	ERJ3GEY0R00	M 0 OHM, 1/16W	1	
R4898	ERJ3GEY0R00	M 0 OHM, 1/16W	1	TH-42PA50H/M
R4920,21	J0JCC0000241	CHIP INDUCTOR	2	
R4922-26	ERJ3GEY0R00	M 0 OHM, 1/16W	5	
R4927	J0JCC0000241	CHIP INDUCTOR	1	
R4928-34	ERJ3GEY0R00	M 0 OHM, 1/16W	7	
R4936-42	ERJ3GEY0R00	M 0 OHM, 1/16W	7	
R4943	ERJ6GEYJ102	M 1KOHM, J, 1/10W	1	
R4944,45	ERJ3GEYJ473	M 47KOHM, J, 1/16W	2	
R4946	TAJAAH0101JV	M 100 OHM, J, 1/16W	1	
R4947	ERJ3GEYJ223	M 22KOHM, J, 1/16W	1	
R4948,49	ERJ3EKF3002	M 30KOHM, 1/16W	2	
R4950	ERJ3GEYJ103	M 10KOHM, J, 1/16W	1	
R4951	ERJ3GEY0R00	M 0 OHM, 1/16W	1	
R4952	ERJ3GEYJ330	M 33 OHM, J, 1/16W	1	
R4954,55	ERJ3GEY0R00	M 0 OHM, 1/16W	2	
R5601	ERJ6ENF4532	M4.53KOHM, 1/10W	1	
R5603	ERJ6ENF2550	M 255 OHM, 1/10W	1	

Ref. No.	Part No.	Part Name & Description	Pcs	Remarks
R5605	ERJ6GEYJ223	M 22KOHM, J, 1/10W	1	
R5606	ERJ6GEYJ103	M 10KOHM, J, 1/10W	1	
R5607	ERJ6ENF1871	M1.87KOHM, 1/10W	1	
R5609	ERJ6ENF1871	M1.87KOHM, 1/10W	1	
R5610	ERJ6GEYJ103	M 10KOHM, J, 1/10W	1	
R5611	ERJ6ENF8202	M 82KOHM, 1/10W	1	
R5612	ERJ6ENF1652	M16.5KOHM, 1/10W	1	
R5615,16	ERJ6GEYJ223	M 22KOHM, J, 1/10W	2	
R5617,18	ERJ6GEYJ221	M 220 OHM, J, 1/10W	2	
R5621	ERJ6GEYJ103	M 10KOHM, J, 1/10W	1	
R5623,24	ERJ6GEY0R00	M 0 OHM, 1/10W	2	
R5625-27	ERJ6GEYJ472	M 4.7KOHM, J, 1/10W	3	
R5630	ERJ6GEY0R00	M 0 OHM, 1/10W	1	
R5632	ERJ6GEYJ471	M 470 OHM, J, 1/10W	1	
R5633	ERJ6GEYJ102	M 1KOHM, J, 1/10W	1	
R5634	ERJ6GEYJ471	M 470 OHM, J, 1/10W	1	
R5635	ERJ6GEYJ221	M 220 OHM, J, 1/10W	1	
R5636	ERJ6GEYJ471	M 470 OHM, J, 1/10W	1	
R5637,38	ERJ6GEYJ103	M 10KOHM, J, 1/10W	2	
R5639	ERJ6GEYJ222	M 2.2KOHM, J, 1/10W	1	
R5640	ERJ6GEYJ472	M 4.7KOHM, J, 1/10W	1	
R5641	ERJ6GEYJ222	M 2.2KOHM, J, 1/10W	1	
R5642	ERJ6GEYJ471	M 470 OHM, J, 1/10W	1	
R5643	ERJ6GEYJ681	M 680 OHM, J, 1/10W	1	
R5644	ERJ6GEYJ222	M 2.2KOHM, J, 1/10W	1	
R5645,46	ERJ6ENF2201	M 2.2KOHM, 1/10W	2	
R5647	ERJ6GEYJ221	M 220 OHM, J, 1/10W	1	
R5648	ERJ6GEYJ392	M 3.9KOHM, J, 1/10W	1	
R5649	ERJ6GEYJ104	M 100KOHM, J, 1/10W	1	
R5650	ERJ6GEYJ221	M 220 OHM, J, 1/10W	1	
R5652	ERJ6GEY0R00	M 0 OHM, 1/10W	1	
R5653-56	ERJ6GEYJ103	M 10KOHM, J, 1/10W	4	
R5657,58	ERJ6GEYJ472	M 4.7KOHM, J, 1/10W	2	
R5660	ERJ6GEY0R00	M 0 OHM, 1/10W	1	
R5662	ERJ6GEY0R00	M 0 OHM, 1/10W	1	
R5670	ERJ6GEYJ103	M 10KOHM, J, 1/10W	1	
R5672	ERJ6GEYJ103	M 10KOHM, J, 1/10W	1	
R5675	ERJ6GEYJ471	M 470 OHM, J, 1/10W	1	
R5680	ERJ6GEY0R00	M 0 OHM, 1/10W	1	
R5692	ERJ6GEYJ102	M 1KOHM, J, 1/10W	1	
R5693	ERJ6GEYJ333	M 33KOHM, J, 1/10W	1	
R5694,95	ERJ6GEYJ103	M 10KOHM, J, 1/10W	2	
R5696	ERJ6GEYJ152	M 1.5KOHM, J, 1/10W	1	
R5815	ERJ6ENF3900	M 390 OHM, 1/10W	1	
R5819	ERJ6ENF2941	M2.94KOHM, 1/10W	1	
R5820	ERX3FJSR22D	M 2.2 OHM, J, 3W	1	
R6001	ERJ6GEYJ104	M 100KOHM, J, 1/10W	1	
R6002-05	ERJ6GEYJ151	M 150 OHM, J, 1/10W	4	
R6006,07	ERJ6GEYJ101	M 100 OHM, J, 1/10W	2	
R6008,09	ERJ6GEYJ104	M 100KOHM, J, 1/10W	2	
R6011-16	ERJ14YJ150U	M 15 OHM, J, 1/4W	6	
R6019-22	ERJ14YJ150U	M 15 OHM, J, 1/4W	4	
R6023	ERJ6GEYJ103	M 10KOHM, J, 1/10W	1	
R6024	ERJ6GEYJ100	M 10 OHM, J, 1/10W	1	
R6025	ERJ6GEYJ103	M 10KOHM, J, 1/10W	1	
R6026	ERJ6GEYJ100	M 10 OHM, J, 1/10W	1	
R6027,28	TAJAAH0101JV	M 100 OHM, J, 1/16W	2	
R6029-31	ERJ6GEYJ103	M 10KOHM, J, 1/10W	3	
R6033	ERJ14YJ204	M 200KOHM, J, 1/4W	1	

Ref. No.	Part No.	Part Name & Description	Pcs	Remarks
R6034,35	ERJ14YJ150U	M 15 OHM, J,1/4W	2	
R6041,42	ERJ14YJ5R6U	M 6.2OHM, 1/4W	2	
R6049,50	ERJ14YJ5R6U	M 6.2OHM, 1/4W	2	
R6055	ERJ6GEYJ101	M 100 OHM,J,1/10W	1	
R6056	ERJ6GEYJ104	M 100KOHM,J,1/10W	1	
R6057	ERG1FJS470D	M 47 OHM, J, 1W	1	
R6059,60	TAJAAH0101JV	M 100 OHM,J,1/16W	2	
R6061	ERJ6ENF1001	M 1KOHM, 1/10W	1	
R6062,63	ERJ6GEYJ224	M 220KOHM,J,1/10W	2	
R6067	ERG1FJS472D	M 4.7KOHM, J, 1W	1	
R6068	ERG2FJS123D	M 12KOHM, J, 2W	1	
R6069,70	ERJ6ENF2202	M 2.2KOHM, 1/10W	2	
R6073	ERJ6ENF1201	M 1.2KOHM, 1/10W	1	
R6074	ERJ6ENF2402	M 24KOHM, 1/10W	1	
R6076	ERJ6GEY0R00	M 0 OHM, 1/10W	1	
R6077,78	ERX3FJSR22D	M 2.2 OHM, J, 3W	2	
R6079,80	ERJ6GEYJ101	M 100 OHM,J,1/10W	2	
R6081	ERJ6GEYJ222	M 2.2KOHM,J,1/10W	1	
R6082,83	TAJAAH0101JV	M 100 OHM,J,1/16W	2	
R6084	ERJ14YJ224	M 220KOHM, J,1/4W	1	
R6085,86	ERJ6GEYJ470	M 47 OHM,J,1/10W	2	
R6087	ERJ6GEYJ101	M 100 OHM,J,1/10W	1	
R6088	ERJ6GEYJ103	M 10KOHM,J,1/10W	1	
R6089	ERJ6GEYJ102	M 1KOHM,J,1/10W	1	
R6090	ERJ14YJ181U	M 181 OHM, J,1/4W	1	
R6091	ERJ6GEYJ102	M 1KOHM,J,1/10W	1	
R6092	ERJ6GEYJ151	M 150 OHM,J,1/10W	1	
R6101	TAJAAH0470JV	M 47 OHM,J,1/16W	1	
R6102	EXB38V470J	RESISTOR ARRAY	1	
R6104	ERJ3GEYJ472	M 4.7KOHM,J,1/16W	1	
R6105	EXB38V472J	RESISTOR ARRAY	1	
R6107	TAJAAH0470JV	M 47 OHM,J,1/16W	1	
R6110	ERJ3GEYJ472	M 4.7KOHM,J,1/16W	1	
R6118,19	ERJ6ENF3902	M 39KOHM, 1/10W	2	
R6120	ERJ6ENF7501	M 7.5KOHM, 1/10W	1	
R6121	ERJ6GEYJ103	M 10KOHM,J,1/10W	1	
R6123	ERJ6GEYJ152	M 1.5KOHM,J,1/10W	1	
R6124	ERJ6GEYJ103	M 10KOHM,J,1/10W	1	
R6125	ERJ6GEYJ222	M 2.2KOHM,J,1/10W	1	
R6126	ERJ6GEYJ152	M 1.5KOHM,J,1/10W	1	
R6431	ERJ6GEY0R00	M 0 OHM, 1/10W	1	
R6433	ERJ6GEY0R00	M 0 OHM, 1/10W	1	
R6439,40	ERJ6GEYJ103	M 10KOHM,J,1/10W	2	
R6450	ERJ6GEYJ563	M 56KOHM,J,1/10W	1	
R6451	ERJ6GEYJ103	M 10KOHM,J,1/10W	1	
R6452	ERJ6GEYJ563	M 56KOHM,J,1/10W	1	
R6453	ERJ6GEYJ472	M 4.7KOHM,J,1/10W	1	
R6454,55	ERJ14YJ103	M 10KOHM, J,1/4W	2	
R6456	ERJ6ENF1183	M 118KOHM, 1/10W	1	
R6457,58	ERJ6ENF2551	M2.55KOHM, 1/10W	2	
R6459	ERJ14YJ104	M 100KOHM, J,1/4W	1	
R6460	ERJ14YJ203U	M 20KOHM, 1/2W	1	
R6461	ERG1FJS471D	M 470 OHM, J, 1W	1	
R6463	ERJ6GEYJ102	M 1KOHM,J,1/10W	1	
R6464	ERJ6GEYJ222	M 2.2KOHM,J,1/10W	1	
R6465	ERG3FJNS8R2E	M 8.2 OHM, J, 3W	1	
R6466	ERJ6GEYJ102	M 1KOHM,J,1/10W	1	
R6467	ERJ6GEYJ122	M 1.2KOHM,J,1/10W	1	
R6468	ERJ6GEYJ472	M 4.7KOHM,J,1/10W	1	
R6469	ERJ6ENF1602	M 16KOHM, 1/10W	1	
R6471	ERJ6ENF4701	M 4.7KOHM, 1/10W	1	
R6472	ERJ6GEYJ102	M 1KOHM,J,1/10W	1	

Ref. No.	Part No.	Part Name & Description	Pcs	Remarks
R6473	ERJ6GEYJ822	M 8.2KOHM,J,1/10W	1	
R6474	ERG1FJS121D	M 120 OHM, J, 1W	1	
R6475	ERJ6GEYJ332	M 3.3KOHM,J,1/10W	1	
R6476	ERJ6ENF2743	M 274KOHM, 1/10W	1	
R6478	ERJ6ENF6981	M6.98KOHM, 1/10W	1	
R6479	ERJ6GEYJ104	M 100KOHM,J,1/10W	1	
R6480	ERJ6GEYJ103	M 10KOHM,J,1/10W	1	
R6481	ERJ6ENF1001	M 1KOHM, 1/10W	1	
R6482	ERJ6GEYJ472	M 4.7KOHM,J,1/10W	1	
R6483	ERJ14YJ752	M 75KOHM, J,1/4W	1	
R6484	ERJ6GEYJ472	M 4.7KOHM,J,1/10W	1	
R6485,86	ERJ6GEYJ103	M 10KOHM,J,1/10W	2	
R6487	ERJ6GEYJ472	M 4.7KOHM,J,1/10W	1	
R6488	ERJ6GEYJ103	M 10KOHM,J,1/10W	1	
R6489	ERJ6GEYJ472	M 4.7KOHM,J,1/10W	1	
R6491	ERJ14YJ104	M 100KOHM, J,1/4W	1	
R6492	ERJ6ENF2003	M 200KOHM, 1/10W	1	
R6493	ERJ6ENF2703	M 270KOHM, 1/10W	1	
R6495,96	ERJ6GEYJ154	M 150KOHM,J,1/10W	2	
R6497	ERJ6GEYJ103	M 10KOHM,J,1/10W	1	
R6498,99	ERG2FJNS8R2E	M 8.2 OHM, J, 2W	2	
R6500	ERJ6GEYJ122	M 1.2KOHM,J,1/10W	1	
R6501-09	ERJ6GEYJ222	M 2.2KOHM,J,1/10W	9	
R6510	ERX3FJS2R2D	M 2.2 OHM, J, 3W	1	
R6511	ERJ6GEYJ100	M 10 OHM,J,1/10W	1	
R6512	ERJ6GEYJ471	M 470 OHM,J,1/10W	1	
R6513	ERX3FJS2R2D	M 2.2 OHM, J, 3W	1	
R6514	ERJ6GEYJ104	M 100KOHM,J,1/10W	1	
R6515	ERJ6GEYJ100	M 10 OHM,J,1/10W	1	
R6516	ERJ6GEYJ471	M 470 OHM,J,1/10W	1	
R6517	ERJ6GEYJ103	M 10KOHM,J,1/10W	1	
R6518	TAJAAH0101JV	M 100 OHM,J,1/16W	1	
R6519	ERJ6GEYJ102	M 1KOHM,J,1/10W	1	
R6520	ERJ6GEYJ151	M 150 OHM,J,1/10W	1	
R6521	ERJ6GEYJ104	M 100KOHM,J,1/10W	1	
R6524	ERJ6ENF3001	M 3KOHM, 1/10W	1	
R6525	ERJ6GEYJ104	M 100KOHM,J,1/10W	1	
R6526	ERJ6GEYJ470	M 47 OHM,J,1/10W	1	
R6527	ERJ14YJ102	M 1KOHM, J,1/4W	1	
R6528	ERJ6GEYJ102	M 1KOHM,J,1/10W	1	
R6529-36	ERJ6GEYJ470	M 47 OHM,J,1/10W	8	
R6538	ERJ6GEYJ102	M 1KOHM,J,1/10W	1	
R6539	TAJAAH0101JV	M 100 OHM,J,1/16W	1	
R6540	ERJ6GEYJ104	M 100KOHM,J,1/10W	1	
R6541	ERJ6GEYJ470	M 47 OHM,J,1/10W	1	
R6542	ERJ6GEYJ100	M 10 OHM,J,1/10W	1	
R6544-46	ERJ6GEYJ100	M 10 OHM,J,1/10W	3	
R6548	ERJ6GEYJ100	M 10 OHM,J,1/10W	1	
R6550	ERJ6GEYJ223	M 22KOHM,J,1/10W	1	
R6551	ERJ6GEYJ101	M 100 OHM,J,1/10W	1	
R6552,53	ERJ6ENF1003	M 100KOHM, 1/10W	2	
R6554	ERG1FJS101D	M 100 OHM, J, 1W	1	
R6555	ERJ6GEYJ104	M 100KOHM,J,1/10W	1	
R6556	ERJ6GEYJ122	M 1.2KOHM,J,1/10W	1	
R6558	ERJ6GEYJ103	M 10KOHM,J,1/10W	1	
R6559	ERJ6GEYJ222	M 2.2KOHM,J,1/10W	1	
R6560,61	ERJ6GEYJ470	M 47 OHM,J,1/10W	2	
R6562	ERJ6GEYJ102	M 1KOHM,J,1/10W	1	
R6563	ERJ6GEYJ5R6	M 5.6 OHM,J,1/10W	1	
R6565	ERJ6GEYJ103	M 10KOHM,J,1/10W	1	
R6566	TAJAAH0101JV	M 100 OHM,J,1/16W	1	
R6567,68	ERJ6GEYJ472	M 4.7KOHM,J,1/10W	2	
R6570	ERJ6GEYJ103	M 10KOHM,J,1/10W	1	
R6571-78	ERJ6GEYJ471	M 470 OHM,J,1/10W	8	
R6580	ERJ6GEYJ103	M 10KOHM,J,1/10W	1	

Ref. No.	Part No.	Part Name & Description	Pcs	Remarks
R6581	TAJAAH0101JV	M 100 OHM, J, 1/16W	1	
R6582, 83	ERJ6ENF3902	M 39KOHM, 1/10W	2	
R6584	ERJ6ENF7501	M 7.5KOHM, 1/10W	1	
R6585	ERJ6GEYJ102	M 1KOHM, J, 1/10W	1	
R6586	ERJ6GEYJ103	M 10KOHM, J, 1/10W	1	
R6587	ERJ6GEYJ152	M 1.5KOHM, J, 1/10W	1	
R6588, 89	ERJ6GEYJ103	M 10KOHM, J, 1/10W	2	
R6590	ERJ6GEYJ222	M 2.2KOHM, J, 1/10W	1	
R6591	ERJ6GEYJ152	M 1.5KOHM, J, 1/10W	1	
R6592, 93	ERJ6GEYJ105	M 1MOHM, J, 1/10W	2	
R6594	ERJ14YJ104	M 100KOHM, J, 1/4W	1	
R6595	ERJ6ENF1432	M14.3KOHM, 1/10W	1	
R6596	ERJ6ENF5231	M5.23KOHM, 1/10W	1	
R6598	ERJ6GEYJ103	M 10KOHM, J, 1/10W	1	
R6599, 00	ERJ6GEYJ101	M 100 OHM, J, 1/10W	2	
R6604	ERJ6GEYJ101	M 100 OHM, J, 1/10W	1	
R6605-07	ERJ6GEYJ224	M 220KOHM, J, 1/10W	3	
R6608, 09	ERJ12YJ1R0	M 1 OHM, J, 1/2W	2	
R6610	ERJ6GEYJ104	M 100KOHM, J, 1/10W	1	
R6611-14	ERJ14YJ150U	M 15 OHM, J, 1/4W	4	
R6615	ERJ6GEYJ332	M 3.3KOHM, J, 1/10W	1	
R6616	ERDS1FJ221	C 220 OHM, J, 1/2W	1	
R6617, 18	ERJ6GEYJ222	M 2.2KOHM, J, 1/10W	2	
R6619, 20	ERJ14YJ150U	M 15 OHM, J, 1/4W	2	
R6621	ERJ6ENF1543	M 154KOHM, 1/10W	1	
R6622, 23	ERJ6GEYJ103	M 10KOHM, J, 1/10W	2	
R6624	ERJ6GEYJ100	M 10 OHM, J, 1/10W	1	
R6625	ERJ6GEYJ103	M 10KOHM, J, 1/10W	1	
R6626	ERJ6GEYJ100	M 10 OHM, J, 1/10W	1	
R6627, 28	TAJAAH0101JV	M 100 OHM, J, 1/16W	2	
R6629	ERJ6ENF2202	M 2.2KOHM, 1/10W	1	
R6630	ERJ14YJ204	M 200KOHM, J, 1/4W	1	
R6635-38	ERJ14YJ150U	M 15 OHM, J, 1/4W	4	
R6641, 42	ERJ14YJ5R6U	M 6.2OHM, 1/4W	2	
R6643, 44	ERJ14YJ150U	M 15 OHM, J, 1/4W	2	
R6645, 46	ERJ6GEYJ151	M 150 OHM, J, 1/10W	2	
R6647, 48	ERJ14YJ5R6U	M 6.2OHM, 1/4W	2	
R6649	EXB38V680J	RESISTOR ARRAY	1	
R6653	EXB38V680J	RESISTOR ARRAY	1	
R6655	ERJ6GEYJ101	M 100 OHM, J, 1/10W	1	
R6656	ERJ6GEYJ104	M 100KOHM, J, 1/10W	1	
R6659, 60	TAJAAH0101JV	M 100 OHM, J, 1/16W	2	
R6661, 62	ERJ6GEYJ151	M 150 OHM, J, 1/10W	2	
R6663	EXB38V472J	RESISTOR ARRAY	1	
R6664	EXB38V470J	RESISTOR ARRAY	1	
R6667, 68	ERJ6GEYJ151	M 150 OHM, J, 1/10W	2	
R6669	EXB38V472J	RESISTOR ARRAY	1	
R6670	EXB38V470J	RESISTOR ARRAY	1	
R6675	EXB38V472J	RESISTOR ARRAY	1	
R6676	EXB38V470J	RESISTOR ARRAY	1	
R6683	EXB38V470J	RESISTOR ARRAY	1	
R6686	EXB38V472J	RESISTOR ARRAY	1	
R6696	ERJ6GEYJ103	M 10KOHM, J, 1/10W	1	
R6699	ERJ6GEYJ103	M 10KOHM, J, 1/10W	1	
R6901	ERJ6GEYJ101	M 100 OHM, J, 1/10W	1	
R6902-04	ERJ6GEYJ221	M 220 OHM, J, 1/10W	3	

Ref. No.	Part No.	Part Name & Description	Pcs	Remarks
R6910, 11	ERJ6GEYJ104	M 100KOHM, J, 1/10W	2	
R6912	ERJ6GEYJ472	M 4.7KOHM, J, 1/10W	1	
R6913	ERJ6GEYJ224	M 220KOHM, J, 1/10W	1	
R6920-23	ERJ6GEYJ103	M 10KOHM, J, 1/10W	4	
R6924	ERJ6GEYJ224	M 220KOHM, J, 1/10W	1	
R6955	ERJ6GEYJ101	M 100 OHM, J, 1/10W	1	
R6956-58	ERJ6GEYJ221	M 220 OHM, J, 1/10W	3	
R6959	ERJ6GEYJ224	M 220KOHM, J, 1/10W	1	
R6975-78	ERJ6GEYJ103	M 10KOHM, J, 1/10W	4	
R6979	ERJ6GEYJ224	M 220KOHM, J, 1/10W	1	
R7102	ERJ14YJ220	M 22 OHM, J, 1/4W	1	
R7105	ERJ6GEYJ103	M 10KOHM, J, 1/10W	1	
R7106, 07	ERJ14YJ220	M 22 OHM, J, 1/4W	2	
R7108	TAJAAH0470JV	M 47 OHM, J, 1/16W	1	
R7109	ERJ6GEYOR00	M 0 OHM, 1/10W	1	
R7110, 11	ERJ14YJ220	M 22 OHM, J, 1/4W	2	
R7117	ERJ6GEYJ224	M 220KOHM, J, 1/10W	1	
R7119, 20	ERJ3GEYOR00	M 0 OHM, 1/16W	2	
R7121	ERJ14YJ220	M 22 OHM, J, 1/4W	1	
R7125	ERJ6GEYJ102	M 1KOHM, J, 1/10W	1	
R7126-28	TAJAAH0470JV	M 47 OHM, J, 1/16W	3	
R7130	ERJ3GEYOR00	M 0 OHM, 1/16W	1	
R7132-35	ERJ3GEYOR00	M 0 OHM, 1/16W	4	
R7136-41	ERJ14YJ220	M 22 OHM, J, 1/4W	6	
R7142, 43	EXB38V470J	RESISTOR ARRAY	2	
R7148	EXB38V470J	RESISTOR ARRAY	1	
R7154	EXB38V470J	RESISTOR ARRAY	1	
R7161	ERJ6GEYOR00	M 0 OHM, 1/10W	1	
R7162, 63	TAJAAH0470JV	M 47 OHM, J, 1/16W	2	
R7166, 67	TAJAAH0470JV	M 47 OHM, J, 1/16W	2	
R7170, 71	TAJAAH0470JV	M 47 OHM, J, 1/16W	2	
R7172-74	ERJ8GEYOR00	M 0 OHM, 1/8W	3	
R7175-77	ERJ6GEYOR00	M 0 OHM, 1/10W	3	
R7187	ERJ6GEYJ223	M 22KOHM, J, 1/10W	1	
R7188	ERJ6GEYJ104	M 100KOHM, J, 1/10W	1	
R7192	ERJ6GEYOR00	M 0 OHM, 1/10W	1	
R7194	ERJ6GEYOR00	M 0 OHM, 1/10W	1	
R7196	EXB38V470J	RESISTOR ARRAY	1	
R7202, 03	ERJ14YJ220	M 22 OHM, J, 1/4W	2	
R7204, 05	ERJ8GEYOR00	M 0 OHM, 1/8W	2	
R7206, 07	ERJ14YJ220	M 22 OHM, J, 1/4W	2	
R7208, 09	ERJ8GEYOR00	M 0 OHM, 1/8W	2	
R7210, 11	ERJ14YJ220	M 22 OHM, J, 1/4W	2	
R7212	ERJ6GEYJ103	M 10KOHM, J, 1/10W	1	
R7213	ERJ6GEYOR00	M 0 OHM, 1/10W	1	
R7214, 15	ERJ14YJ220	M 22 OHM, J, 1/4W	2	
R7217	ERJ6GEYJ224	M 220KOHM, J, 1/10W	1	
R7218-21	ERJ3GEYOR00	M 0 OHM, 1/16W	4	
R7222	ERJ3GEYJ560	M 56 OHM, J, 1/16W	1	
R7223	TAJAAH0470JV	M 47 OHM, J, 1/16W	1	
R7225	ERJ6GEYJ102	M 1KOHM, J, 1/10W	1	
R7226-29	TAJAAH0470JV	M 47 OHM, J, 1/16W	4	
R7230	ERJ3GEYOR00	M 0 OHM, 1/16W	1	
R7232	ERJ3GEYOR00	M 0 OHM, 1/16W	1	

Ref. No.	Part No.	Part Name & Description	Pcs	Remarks
R7233-40	ERJ14YJ220	M 22 OHM, J,1/4W	8	
R7241,42	EXB38V470J	RESISTOR ARRAY	2	
R7243-45	ERJ6GEY0R00	M 0 OHM, 1/10W	3	
R7247	ERJ6GEYJ104	M 100KOHM, J,1/10W	1	
R7248	ERJ6GEYJ223	M 22KOHM, J,1/10W	1	
R7249,50	EXB38V470J	RESISTOR ARRAY	2	
R7251-53	ERJ6GEY0R00	M 0 OHM, 1/10W	3	
R7254,55	TAJAAH0470JV	M 47 OHM, J,1/16W	2	
R7257,58	EXB38V470J	RESISTOR ARRAY	2	
R7259	ERJ6GEY0R00	M 0 OHM, 1/10W	1	
R7261,62	ERJ3GEY0R00	M 0 OHM, 1/16W	2	
R7283	ERJ6GEY0R00	M 0 OHM, 1/10W	1	
R7289,90	TAJAAH0470JV	M 47 OHM, J,1/16W	2	
R7293	TAJAAH0470JV	M 47 OHM, J,1/16W	1	
R7296	ERJ3GEYJ151	M 150 OHM, J,1/16W	1	
R7297	TAJAAH0470JV	M 47 OHM, J,1/16W	1	
R9002	ERJ3GEYJ103	M 10KOHM, J,1/16W	1	
R9004-06	ERJ3GEYJ103	M 10KOHM, J,1/16W	3	
R9007	ERJ3GEYJ102	M 1KOHM, J,1/16W	1	
R9009	ERJ3GEYJ103	M 10KOHM, J,1/16W	1	
R9010	EXB2HV272JV	RESISTOR ARRAY	1	
R9012	EXB2HV272JV	RESISTOR ARRAY	1	
R9013	ERJ3GEYJ103	M 10KOHM, J,1/16W	1	
R9015-18	ERJ3GEYJ103	M 10KOHM, J,1/16W	4	
R9019	ERJ3GEY0R00	M 0 OHM, 1/16W	1	
R9020,21	ERJ3GEYJ102	M 1KOHM, J,1/16W	2	
R9022	ERJ6GENF1001	M 1KOHM, 1/10W	1	
R9023	ERJ6GENF1601	M 1.6KOHM, 1/10W	1	
R9024	ERJ6GEY0R00	M 0 OHM, 1/10W	1	
R9026	ERJ3GEYJ100	M 10 OHM, J,1/16W	1	
R9028	ERJ3GEYJ332	M 3.3KOHM, J,1/16W	1	
R9029,30	ERJ3GEYJ220	M 22 OHM, J,1/16W	2	
R9031,32	ERJ3GEYJ562	M 5.6KOHM, J,1/16W	2	
R9033,34	ERJ3GEYJ103	M 10KOHM, J,1/16W	2	
R9035,36	ERJ6GEY0R00	M 0 OHM, 1/10W	2	
R9039	TAJAAH0101JV	M 100 OHM, J,1/16W	1	
R9040	ERJ3GEYJ100	M 10 OHM, J,1/16W	1	
R9041	ERJ3GEYJ472	M 4.7KOHM, J,1/16W	1	
R9042	ERJ3GEYJ102	M 1KOHM, J,1/16W	1	
R9043,44	TAJAAH0101JV	M 100 OHM, J,1/16W	2	
R9045	ERJ3GEYJ102	M 1KOHM, J,1/16W	1	
R9046	ERJ3GEYJ123	M 12KOHM, J,1/16W	1	
R9047-50	TAJAAH0101JV	M 100 OHM, J,1/16W	4	
R9052	ERJ3GEYJ103	M 10KOHM, J,1/16W	1	
R9053	ERJ3GEYJ472	M 4.7KOHM, J,1/16W	1	
R9054,55	ERJ3GEYJ272	M 2.7KOHM, J,1/16W	2	
R9056,57	ERJ3GEYJ220	M 22 OHM, J,1/16W	2	
R9058,59	ERJ3GEYJ562	M 5.6KOHM, J,1/16W	2	
R9060-67	TAJAAH0101JV	M 100 OHM, J,1/16W	8	
R9068-72	ERJ3GEYJ103	M 10KOHM, J,1/16W	5	
R9073	EXB2HV470JV	RESISTOR ARRAY	1	
R9074	TAJAAH0101JV	M 100 OHM, J,1/16W	1	
R9075	EXB2HV470JV	RESISTOR ARRAY	1	
R9076	TAJAAH0101JV	M 100 OHM, J,1/16W	1	

Ref. No.	Part No.	Part Name & Description	Pcs	Remarks
R9077-79	ERJ3GEY0R00	M 0 OHM, 1/16W	3	
R9080	ERJ3GEYJ223	M 22KOHM, J,1/16W	1	
R9081	ERJ3GEYJ103	M 10KOHM, J,1/16W	1	
R9082-89	TAJAAH0101JV	M 100 OHM, J,1/16W	8	
R9090	ERJ3GEYJ562	M 5.6KOHM, J,1/16W	1	
R9091,92	ERJ3GEYJ103	M 10KOHM, J,1/16W	2	
R9093	ERJ3GEYJ473	M 47KOHM, J,1/16W	1	
R9094	ERJ6GEY0R00	M 0 OHM, 1/10W	1	
R9095-98	ERJ3GEYJ103	M 10KOHM, J,1/16W	4	
R9102-04	TAJAAH0101JV	M 100 OHM, J,1/16W	3	
R9105	ERJ3GEYJ103	M 10KOHM, J,1/16W	1	
R9107-09	ERJ3GEYJ393	M 39KOHM, J,1/16W	3	
R9110	ERJ3GEYJ103	M 10KOHM, J,1/16W	1	
R9111,12	ERJ3GEY0R00	M 0 OHM, 1/16W	2	
R9113	ERJ3GEYJ103	M 10KOHM, J,1/16W	1	
R9114-16	ERJ3GEY0R00	M 0 OHM, 1/16W	3	
R9117,18	EXB38V000	RESISTOR ARRAY	2	
R9119	ERJ3GEY0R00	M 0 OHM, 1/16W	1	
R9120,21	TAJAAH0101JV	M 100 OHM, J,1/16W	2	
R9122-24	ERJ3GEYJ103	M 10KOHM, J,1/16W	3	
R9125,26	ERJ3GEYJ102	M 1KOHM, J,1/16W	2	
R9127,28	ERJ3GEYJ103	M 10KOHM, J,1/16W	2	
R9130	ERJ3GEYJ103	M 10KOHM, J,1/16W	1	
R9131-33	ERJ3GEYJ472	M 4.7KOHM, J,1/16W	3	
R9134-36	TAJAAH0101JV	M 100 OHM, J,1/16W	3	
R9137	ERJ3GEYJ472	M 4.7KOHM, J,1/16W	1	
R9140-42	ERJ3GEYJ103	M 10KOHM, J,1/16W	3	
R9145-47	ERJ3GEYJ103	M 10KOHM, J,1/16W	3	
R9160,61	ERJ3GEYJ220	M 22 OHM, J,1/16W	2	
R9162,63	ERJ3GEYJ562	M 5.6KOHM, J,1/16W	2	
R9164,65	TAJAAH0101JV	M 100 OHM, J,1/16W	2	
R9200-02	TAJAAH0470JV	M 47 OHM, J,1/16W	3	
R9204	TAJAAH0470JV	M 47 OHM, J,1/16W	1	
R9205	ERJ3GEYJ103	M 10KOHM, J,1/16W	1	
R9208	ERJ3GEYJ103	M 10KOHM, J,1/16W	1	
R9210	ERJ3GEYJ103	M 10KOHM, J,1/16W	1	
R9212	ERJ3GEY0R00	M 0 OHM, 1/16W	1	
R9300-04	D1HG33080001	NETWORK RESISTER	5	
R9305	ERJ3GEYJ103	M 10KOHM, J,1/16W	1	
R9306,07	D1HG33080001	NETWORK RESISTER	2	
R9308	ERJ3GEYJ102	M 1KOHM, J,1/16W	1	
R9309	ERJ3GEYJ472	M 4.7KOHM, J,1/16W	1	
R9313-16	ERJ3GEY0R00	M 0 OHM, 1/16W	4	
R9318,19	ERJ3GEY0R00	M 0 OHM, 1/16W	2	
R9321	ERJ6GEY0R00	M 0 OHM, 1/10W	1	
R9322	ERJ3GEY0R00	M 0 OHM, 1/16W	1	
R9323	ERJ3GEYJ102	M 1KOHM, J,1/16W	1	
R9324-28	ERJ3GEY0R00	M 0 OHM, 1/16W	5	
R9329	ERJ3GEYJ103	M 10KOHM, J,1/16W	1	
R9330-33	ERJ3GEY0R00	M 0 OHM, 1/16W	4	

Ref. No.	Part No.	Part Name & Description	Pcs	Remarks
R9335,36	ERJ3GEYJ472	M 4.7KOHM, J, 1/16W	2	
R9337	ERJ6ENF1101	M 1.1KOHM, 1/10W	1	
R9338	ERJ6ENF1401	M 1.4KOHM, 1/10W	1	
R9339-42	ERJ6ENF1001	M 1KOHM, 1/10W	4	
R9500-03	ERJ3GEYJ103	M 10KOHM, J, 1/16W	4	
R9505-10	TAJAAH0101JV	M 100 OHM, J, 1/16W	6	
R9511	EXB2HV272JV	RESISTOR ARRAY	1	
R9512	ERJ3GEYJ103	M 10KOHM, J, 1/16W	1	
R9513	EXB2HV272JV	RESISTOR ARRAY	1	
R9515	EXB2HV272JV	RESISTOR ARRAY	1	
R9516,17	ERJ3GEYJ103	M 10KOHM, J, 1/16W	2	
R9518	EXB2HV470JV	RESISTOR ARRAY	1	
R9519-21	EXB38V470J	RESISTOR ARRAY	3	
R9522,23	EXB2HV470JV	RESISTOR ARRAY	2	
R9524-26	TAJAAH0470JV	M 47 OHM, J, 1/16W	3	
R9527	EXB38V470J	RESISTOR ARRAY	1	
R9528,29	TAJAAH0470JV	M 47 OHM, J, 1/16W	2	
R9531	ERJ3GEYJ103	M 10KOHM, J, 1/16W	1	
R9533,34	ERJ3GEYJ103	M 10KOHM, J, 1/16W	2	
R9536	TAJAAH0680JV	M 68 OHM, J, 1/16W	1	
R9537,38	ERJ3GEYJ103	M 10KOHM, J, 1/16W	2	
R9540	ERJ3GEYJ304V	M 300KOHM, J, 1/16W	1	
R9544	ERJ3GEYJ103	M 10KOHM, J, 1/16W	1	
R9547	ERJ3GEY0R00	M 0 OHM, 1/16W	1	
R9700	ERJ3GEY0R00	M 0 OHM, 1/16W	1	
R9702-04	ERJ3GEYJ103	M 10KOHM, J, 1/16W	3	
R9706,07	ERJ6ENF1001	M 1KOHM, 1/10W	2	
R9708	ERJ6GEY0R00	M 0 OHM, 1/10W	1	
R9709	TAJAAH0101JV	M 100 OHM, J, 1/16W	1	
R9714	ERJ3GEY0R00	M 0 OHM, 1/16W	1	
R9716,17	ERJL14KJ33M	M 33 OHM, J, 1/4W	2	
R9718	ERJ6ENF2002	M 20KOHM, 1/10W	1	
R9719	ERJ6ENF1742	M 17.4KOHM, 1/10W	1	
R9720	ERJ6ENF6342	M 6.34KOHM, 1/10W	1	
R9721	ERJ6ENF2002	M 20KOHM, 1/10W	1	
R9722,23	ERJ3GEYJ100	M 10 OHM, J, 1/16W	2	
R9724	TAJAAH0101JV	M 100 OHM, J, 1/16W	1	
R9725	ERJ3GEYJ104	M 100KOHM, J, 1/16W	1	
R9726,27	ERJ3GEYJ100	M 10 OHM, J, 1/16W	2	
R9728,29	ERJ6ENF2002	M 20KOHM, 1/10W	2	
R9738,39	ERJ3GEY0R00	M 0 OHM, 1/16W	2	
R9740-42	ERJ6GEY0R00	M 0 OHM, 1/10W	3	
R9824	ERJ3GEYJ103	M 10KOHM, J, 1/16W	1	
R9830	EXB2HV470JV	RESISTOR ARRAY	1	
R9900	ERJ3GEYJ472	M 4.7KOHM, J, 1/16W	1	
R9901	ERJ3GEYJ103	M 10KOHM, J, 1/16W	1	
R9902	ERJ3GEYJ104	M 100KOHM, J, 1/16W	1	
R9903	ERJ3GEYJ472	M 4.7KOHM, J, 1/16W	1	
R9904	ERJ3GEYJ103	M 10KOHM, J, 1/16W	1	
R9905	ERJ3GEYJ104	M 100KOHM, J, 1/16W	1	
R9906	EXB2HV470JV	RESISTOR ARRAY	1	
R9907	ERJ3GEYJ220	M 22 OHM, J, 1/16W	1	
R9908,09	EXB38V470J	RESISTOR ARRAY	2	
R9910,11	ERJ3GEYJ220	M 22 OHM, J, 1/16W	2	
R9912	EXB2HV470JV	RESISTOR ARRAY	1	
R9913	ERJ3GEYJ220	M 22 OHM, J, 1/16W	1	

Ref. No.	Part No.	Part Name & Description	Pcs	Remarks
R9914	EXB38V470J	RESISTOR ARRAY	1	
R9915,16	ERJ3GEYJ220	M 22 OHM, J, 1/16W	2	
R9917-19	EXB2HV470JV	RESISTOR ARRAY	3	
R9922	EXB2HV470JV	RESISTOR ARRAY	1	
R9923	ERJ3GEYJ103	M 10KOHM, J, 1/16W	1	
RM2510	PNA4601M05TV	REMOCO RECEIVER	1	
RTL	TNPA3523AE	CIRCUIT BOARD H	1	TH-42PA50H/M △
RTL	TNPA3523AF	CIRCUIT BOARD H	1	TH-42PA50A △
RTL	TNPA3621AE	CIRCUIT BOARD Z	1	△
RTL	TNPA3519AL	CIRCUIT BOARD DG	1	TH-42PA50A △
RTL	TNPA3519AK	CIRCUIT BOARD DG	1	TH-42PA50H △
RTL	TZTNP01YFSM	CIRCUIT BOARD DG	1	TH-42PA50M △
RTL	TNPA3620AB	CIRCUIT BOARD PA	1	△
RTL	TNPA3686	CIRCUIT BOARD TA	1	TH-42PA50A △
RTL	TNPA3524	CIRCUIT BOARD TB	1	TH-42PA50H/M △
RTL	TNPA3545	CIRCUIT BOARD C1	1	△
RTL	TNPA3546	CIRCUIT BOARD C2	1	△
RTL	TZTNP010YFS	CIRCUIT BOARD D	1	TH-42PA50H/M △
RTL	TZTNP010YFS	CIRCUIT BOARD D	1	TH-42PA50A △
RTL	TNPA3570	CIRCUIT BOARD P	1	△
RTL	TNPA3643AB	CIRCUIT BOARD PB	1	△
RTL	TNPA3543	CIRCUIT BOARD SC	1	△
RTL	TNPA3243	CIRCUIT BOARD SD	1	△
RTL	TNPA3544	CIRCUIT BOARD SS	1	△
RTL	TNPA3242	CIRCUIT BOARD SU	1	△
RTL	TKX/KLYFSA	CIRCUIT BOARD K	1	△
RTL	TNPA3604AB	CIRCUIT BOARD S	1	△
S1	K1KA03AA0193	3P CONNECTOR	1	
SC2	K1KA06AA0192	6P CONNECTOR	1	
SC20	K1KA20AA0008	20P CONNECTOR	1	
SC23	K1KA03AA0193	3P CONNECTOR	1	
SC30	K1KA03AA0193	3P CONNECTOR	1	
SC41,42	K1ML80BA0001	80P CONNECTOR	2	
SC45,46	K1KA10A00431	10P CONNECTOR	2	
SD1-D3	K1MN80B00004	80P CONNECTOR	3	
SD46	K1KA10B00209	10P CONNECTOR	1	
SS11	K1KA07AA0192	7P CONNECTOR	1	
SS12	K1KA05AA0192	5P CONNECTOR	1	
SS23	K1KA12AA0194	12P CONNECTOR	1	
SS34	K1KA03AA0193	3P CONNECTOR	1	
SS41-44	K1MN13B00020	13P CONNECTOR	4	
SU1-U3	K1MN80B00004	80P CONNECTOR	3	
SU45	K1KA10B00209	10P CONNECTOR	1	
SW2500	K0F162B00002	SWITCH	1	
SW3751-55	EVQ11G05R	SWITCH	5	
T6461	ETS13TB139AP	SWITCHING TRANS	1	
T6471	ETS19AA259AC	SWITCHING TRANS	1	
TA5	K1KB15B00013	15P CONNECTOR	1	TH-42PA50A
TA6	K1KB09B00019	9P CONNECTOR	1	TH-42PA50A
TB5, B6	K1KB15B00013	15P CONNECTOR	2	TH-42PA50H/M
TU001	ENG9301GF	TUNER	1	TH-42PA50H/M △
TU001	ENG37A12GF	TUNER	1	TH-42PA50A △
TU002	ENG39A01GF	TUNER	1	TH-42PA50H/M △



Ref. No.	Part No.	Part Name & Description	Pcs	Remarks
VR6074	EVMEASA00B14	CONTROL 10KOHMB 0.3W	1	
VR6477	EVMEASA00B23	CONTROL 2KOHMB 0.3W	1	
VR6557	EVMEASA00B14	CONTROL 10KOHMB 0.3W	1	
X1101	H0J600400006	CRYSTAL	1	
X2101	TSSA128	CRYSTAL	1	
X2102	EFCS6504BF	CERAMIC FILTER	1	TH-42PA50A
X2103	EFCS7004BF	CERAMIC FILTER	1	TH-42PA50A
X4001	H0J202500016	CRYSTAL	1	
X4002	H0J270500087	CRYSTAL	1	
X9000	H2D2705A0004	CRYSTAL	1	
X9200	H0J200500038	CRYSTAL	1	
Z2	K1KA05AA0192	5P CONNECTOR	1	
Z50	K1MN35A00013	35P CONNECTOR	1	
ZA5601-04	K9ZZ00000424	CONNECTOR	4	
ZA5801-04	K9ZZ00000424	CONNECTOR	4	
ZA6001-04	K4CD01000013	TERMINAL	4	
ZA6601-03	K4CD01000013	TERMINAL	3	
ZA7101,02	K4CD01000013	TERMINAL	2	
ZA7104	K4CD01000013	TERMINAL	1	
ZA7201	K4CD01000013	TERMINAL	1	
ZA7203,04	K4CD01000013	TERMINAL	2	
ZA9001	K4CD01000013	TERMINAL	1	
ZMM1	TMM25401	CLAMPER	1	
C402	ECJ2XC1H101J	C 100PF, J, 50V	1	
C403	ECKCNA222MEB	C 2200PF, M	1	△
C404	F0CAF105A021	C 1UF, 250V	1	△
C405	ECJ2XB1H103K	C 0.01UF, K, 50V	1	
C407	ECA2WHG220	E 22UF, 450V	1	
C409	F0CAF105A021	C 1UF, 250V	1	
C410	ECJ3YB1E105K	C 1UF, K, 25V	1	△
C411-14	ECJ2XB1H103K	C 0.01UF, K, 50V	4	
C415,16	F1A3A102A040	C 1000PF, J, 1KV	2	
C417	ECJ2XB1H103K	C 0.01UF, K, 50V	1	
C418	F1J1C1050011	C 1UF, Z, 50V	1	
C419	F1A3A102A040	C 1000PF, J, 1KV	1	
C421,22	ECJ2XB1H103K	C 0.01UF, K, 50V	2	
C423	ECJ2XB1H472K	C 4700PF, K, 50V	1	
C424	F1A3A102A040	C 1000PF, J, 1KV	1	
C425	ECJ2XB1H103K	C 0.01UF, K, 50V	1	
C426	ECJ2XC1H471J	C 470PF, J, 50V	1	
C427	F1J1C1050011	C 1UF, Z, 50V	1	
C428	ECJ2XC1H221J	C 220PF, J, 50V	1	
C429,30	F1K2J1530002	C 0.15PF, J, 630V	2	
C431	ECJ2XB1H102K	C 1000PF, K, 50V	1	
C432-34	F1J1C1050011	C 1UF, Z, 50V	3	
C436	F1J1C1050011	C 1UF, Z, 50V	1	
C440	ECA1HM100	E 10UF, 50V	1	
C443,44	F1A3A102A040	C 1000PF, J, 1KV	2	
C445	F1J1C1050011	C 1UF, Z, 50V	1	
C446	F2B2W3910005	C 390UF, 450V	1	
C451	F1A3A101A040	C 100PF, J, 1KV	1	
C457	ECWH12333RHV	P 0.013UF, J, 1.2KV	1	
C459	F1K2J1530002	C 0.15PF, J, 630V	1	
C460,61	F1A3A331A039	E 330UF, 1KV	2	
C462	ECJ3YB1E105K	C 1UF, K, 25V	1	
C463	ECJ2XC1H220J	C 22UF, J, 50V	1	
C465	ECKCNA221KB7	C 220PF, M	1	△
C467	ECKCNA221KB7	C 220PF, M	1	△
C468	ECJ2XB1H103K	C 0.01UF, K, 50V	1	
C470	F0CAF105A021	C 1UF, 250V	1	△
C471	F1J1C1050011	C 1UF, Z, 50V	1	

Ref. No.	Part No.	Part Name & Description	Pcs	Remarks
C473	ECKCNA221KB7	C 220PF, M	1	△
C476	ECKCNA221KB7	C 220PF, M	1	△
C482	ECJ2XB1H104K	C 0.1UF, K, 50V	1	
C490	ECJ2XC1H331J	C 330PF, J, 50V	1	
C491	ECJ2XB1E104K	C 0.1UF, K, 25V	1	
C492	ECJ2XC1H271J	C 270PF, J, 50V	1	
C493	ECA1EM101	E 100UF, 25V	1	
C494,95	ECJ2XC1H101J	C 100PF, J, 50V	2	
C496	F1J1C1050011	C 1UF, Z, 50V	1	
C497	ECA1EM221	E 220UF, 25V	1	
C498	ECJ2XB1H104K	C 0.1UF, K, 50V	1	
C501-03	ECJ2XB1H103K	C 0.01UF, K, 50V	3	
C504	F1J1C1050011	C 1UF, Z, 50V	1	
C505	ECJ2XB1H102K	C 1000PF, K, 50V	1	
C506-08	ECJ2XB1H103K	C 0.01UF, K, 50V	3	
C509	ECA1EM101	E 100UF, 25V	1	
C510	ECJ2XB1H104K	C 0.1UF, K, 50V	1	
C511	ECA1EM331	E 330UF, 25V	1	
C512-14	ECJ2XC1H471J	C 470PF, J, 50V	3	
C515	ECA1CM222	E 2200UF, 16V	1	
C516	ECJ2XB1C474K	C 0.47UF, K, 16V	1	
C517	F2D1E1010001	E 10UF, 25V	1	
C518,19	F1J1C1050011	C 1UF, Z, 50V	2	
C523	ECJ3YB1E105K	C 1UF, K, 25V	1	
C525	F2A1E8210012	E 820UF, 25V	1	
C526	ECJ2XB1H104K	C 0.1UF, K, 50V	1	
C527	ECJ3YB1E475K	C 4.7UF, K, 25V	1	
C528,29	F1J1C1050011	C 1UF, Z, 50V	2	
C530	ECJ2VB1H333K	C 0.033UF, K, 50V	1	
C533	ECJ2XB1H103K	C 0.01UF, K, 50V	1	
C534	ECJ2XC1H471J	C 470PF, J, 50V	1	
C546,47	ECJ2VB1H333K	C 0.033UF, K, 50V	2	
C548	ECJ2XB1H104K	C 0.1UF, K, 50V	1	
C551-53	ECJ2XB1H104K	C 0.1UF, K, 50V	3	
C554	F1J1C1050011	C 1UF, Z, 50V	1	
C555	ECA2AM101	E 100UF, 100V	1	
C556	F2A1C1520009	E 1500UF, 16V	1	
C557	F2A1E1520089	E 1500UF, 25V	1	
C562	ECJ2XB1H104K	C 0.1UF, K, 50V	1	
C572	ECJ2XB1H104K	C 0.1UF, K, 50V	1	
C574	ECJ2XB1H104K	C 0.1UF, K, 50V	1	
C577	ECA2AM330	E 33UF, 100V	1	
C581	ECJ2XB1H223K	C 0.022UF, K, 50V	1	
C583	ECJ2XB1H102K	C 1000PF, K, 50V	1	
C584	ECJ2XB1H223K	C 0.022UF, K, 50V	1	
C587	ECJ2XB1H103K	C 0.01UF, K, 50V	1	
C591,92	F1K2J1530002	C 0.15PF, J, 630V	2	
C601	ECJ2XB1H103K	C 0.01UF, K, 50V	1	
C603	ECA1HM470	E 47UF, 50V	1	
C604,05	F2A2C1510004	E 150UF, 160V	2	
C606,07	F1J1C1050011	C 1UF, Z, 50V	2	
C608,09	ECJ2XB1H103K	C 0.01UF, K, 50V	2	
C610	F1J1C1050011	C 1UF, Z, 50V	1	
C611	F2B2D1720001	E 1700UF, @ 200V	1	
C612	ECJ2XB1H103K	C 0.01UF, K, 50V	1	
C615	F2B2D1720001	E 1700UF, @ 200V	1	
C616	F1A3A102A040	C 1000PF, J, 1KV	1	
C619	ECJ2XB1H104K	C 0.1UF, K, 50V	1	
C620	ECJ2XB1H103K	C 0.01UF, K, 50V	1	
C623	ECA1HM100	E 10UF, 50V	1	
C624	ECJ3YB1E105K	C 1UF, K, 25V	1	
C626	ECJ2XB1H103K	C 0.01UF, K, 50V	1	
C629	ECJ2XB1H103K	C 0.01UF, K, 50V	1	
C631	ECJ2XB1H103K	C 0.01UF, K, 50V	1	
C633	ECJ2XB1H103K	C 0.01UF, K, 50V	1	
C634	ECJ2XB1H102K	C 1000PF, K, 50V	1	
C635	ECJ2XB1H103K	C 0.01UF, K, 50V	1	
C636	F1J1C1050011	C 1UF, Z, 50V	1	
C637	ECJ2XB1H104K	C 0.1UF, K, 50V	1	
C638,39	ECJ2XB1H103K	C 0.01UF, K, 50V	2	
C640	ECJ2XB1H104K	C 0.1UF, K, 50V	1	
C641	ECJ2XB1H102K	C 1000PF, K, 50V	1	
C643	ECA1HM470	E 47UF, 50V	1	

Ref. No.	Part No.	Part Name & Description	Pcs	Remarks
C646,47	ECJ2XC1H331J	C 330PF, J, 50V	2	
D401	BOFBAT000006	DIODE	1	
D402	MA4240MTA	ZENER DIODE	1	
D403	MA4051NM	ZENER DIODE	1	
D404	BOEBKT000007	DIODE	1	
D406	MA4200M	ZENER DIODE	1	
D407	MA188	DIODE	1	
D410	MA111	DIODE	1	
D411	BOBB17000010	DIODE	1	
D412-14	MA111	DIODE	3	
D415	BOJAME000081	DIODE	1	
D417	RU30A	DIODE	1	
D418	MA4082M	ZENER DIODE	1	
D419,20	RU30A	DIODE	2	
D423	MA188	DIODE	1	
D425	MA188	DIODE	1	
D427-29	ERA15-10	DIODE	3	
D431	BOJCDD000002	DIODE	1	
D433	MA4150M	ZENER DIODE	1	
D434	MA4082M	ZENER DIODE	1	
D435	ERA15-10	DIODE	1	
D436	MA188	DIODE	1	
D437	MA4082M	ZENER DIODE	1	
D438	MA4150M	ZENER DIODE	1	
D439	MA4130HTA	ZENER DIODE	1	
D440	MA4300M	ZENER DIODE	1	
D441	BOHAMM000122	DIODE	1	
D442	MA4075M	ZENER DIODE	1	
D443	MA4240MTA	ZENER DIODE	1	
D444	BOHAMM000122	DIODE	1	
D445	MA165	DIODE	1	
D459	MA188	DIODE	1	
D461	MA4082M	ZENER DIODE	1	
D462	MA142WKTXX	ZENER DIODE	1	
D463-67	ERA15-10	DIODE	5	
D501	BOHANR000016	DIODE	1	
D503,04	MA165	DIODE	2	
D505	BOJAME000081	DIODE	1	
D506	MA4051NM	ZENER DIODE	1	
D507,08	MA4150M	ZENER DIODE	2	
D509,10	BOHANM000028	DIODE	2	
D511	BOHBSM000043	DIODE	1	
D514	MA4062M	ZENER DIODE	1	
D521	BOHAMP000067	DIODE	1	
D528,29	MA153	DIODE	2	
D530	MA4100M	ZENER DIODE	1	
D531,32	BOHAPR000012	DIODE	2	
D534	BOJBSG000026	DIODE	1	
D535	MA188	DIODE	1	
D536	BOJBSL000013	DIODE	1	
D538	MA3051M	ZENER DIODE	1	
D539	BOHRP000007	DIODE	1	
D542	MA4180HTA	ZENER DIODE	1	
D543	MA4150M	ZENER DIODE	1	
D544,45	MA4180HTA	ZENER DIODE	2	
D549	MA4075M	ZENER DIODE	1	
D551	MA4130M	ZENER DIODE	1	
D552	MA4082M	ZENER DIODE	1	
D555	MA4075M	ZENER DIODE	1	
D559	MA4075M	ZENER DIODE	1	
D563	MA4062M	ZENER DIODE	1	
D564	MAZ72000AF	ZENER DIODE	1	
D565	MA4160M	ZENER DIODE	1	
D566	BOHAMM000122	DIODE	1	
D568	MA3J142DOL	DIODE	1	
D569-71	MA4300M	ZENER DIODE	3	
D572	MA188	DIODE	1	
D574	MA111	DIODE	1	
D575	MA188	DIODE	1	
D579	MA111	DIODE	1	
D582	MAZ705600F	ZENER DIODE	1	
D584	MA4075M	ZENER DIODE	1	

Ref. No.	Part No.	Part Name & Description	Pcs	Remarks
D586	BOHAMP000067	DIODE	1	
D587	MA188	DIODE	1	
IC401	CNC1S171R	IC	1	△
IC402	C0BBAA000038	IC	1	
IC403,04	CNC1S171R	IC	2	△
IC406	C0DAZZZ00021	IC	1	
IC407	C0DBAZZ00111	IC	1	
IC408,09	CNC1S171R	IC	2	△
IC411	C0BBAA000038	IC	1	
IC412	CNC1S171R	IC	1	△
IC501	C2ABDD000064	IC	1	
IC502	C0EBH0000190	IC	1	
IC503,04	C0DAEMB00004	IC	2	
IC505	CNC1S171R	IC	1	
IC506	C0ZBZ0000878	IC	1	
IC507	C0CBABE00023	IC	1	
IC509	C0DABZZ00010	IC	1	
IC512	C0DAEMB00004	IC	1	
IC520	C9ZB00000496	IC	1	
L402	EXCELSA24	BEAD CHOKE	1	
L403	EXCELSA35	BEAD CHOKE	1	
L404,05	G0B123K00003	INDUCTION COIL	2	△
L501	EXCELSA35	BEAD CHOKE	1	
L502	TALLO8N102JA	INDUCTION COIL	1	
L506	EXCELD25C	BEAD CHOKE	1	
L509	J0JBC0000032	CHIP INDUCTOR	1	
L510	EXCELD25C	BEAD CHOKE	1	
P2	K1KA06AA0479	6P CONNECTOR	1	
P5	K1KA11AA0183	11P CONNECTOR	1	
P9	K1KA03AA00537	3P CONNECTOR	1	
P10	K1KA06AA0182	6P CONNECTOR	1	
P11	K1KA07AA0192	7P CONNECTOR	1	
P12	K1KA05AA0192	5P CONNECTOR	1	
P23	K1KA03AA0182	3P CONNECTOR	1	
P25	K1KA20AA0178	20P CONNECTOR	1	
P30	K1KA05AA0182	5P CONNECTOR	1	
PR401	K5Y502BA0001	FUSE	1	
PR402	K5G202B00015	FUSE	1	
PR501	K5H502Z00003	FUSE	1	
PR503	K5H502Z00003	FUSE	1	
PR509	K5H501Z00005	FUSE	1	
PR601	K5G312B00012	FUSE	1	
Q002,03	2SB709A	TRANSISTOR	2	TH-42PA50A
Q401	B1CHND000004	TRANSISTOR	1	
Q403	B1CBGD000001	TRANSISTOR	1	
Q404	B1BCCF000022	TRANSISTOR	1	
Q406	B1DEHQ000007	TRANSISTOR	1	
Q407	XN4601	TRANSISTOR	1	
Q408,09	B1CHND000004	TRANSISTOR	2	
Q412,13	B1DAGQ000013	TRANSISTOR	2	
Q414	B1ABCF000134	TRANSISTOR	1	
Q415	2SB1218ARL	TRANSISTOR	1	
Q417	B1CHND000004	TRANSISTOR	1	
Q418	2SD1819A	TRANSISTOR	1	
Q420-22	2SD1819A	TRANSISTOR	3	
Q423,24	B1CBGD000001	TRANSISTOR	2	
Q430	B1CEJQ000002	TRANSISTOR	1	
Q431	B1DEGS000001	TRANSISTOR	1	
Q432	B1CEJQ000002	TRANSISTOR	1	
Q433	B1CBGD000001	TRANSISTOR	1	
Q434	B1CEJQ000002	TRANSISTOR	1	
Q435	B1CBGD000001	TRANSISTOR	1	
Q436	B1CEJQ000002	TRANSISTOR	1	
Q438	B1CBGD000001	TRANSISTOR	1	
Q439	B1CHND000004	TRANSISTOR	1	
Q440,41	2SD1819A	TRANSISTOR	2	

Ref. No.	Part No.	Part Name & Description	Pcs	Remarks
Q501,02	2SD1820A	TRANSISTOR	2	
Q503	XN0440100L	TRANSISTOR	1	
Q505	B1CEJQ000002	TRANSISTOR	1	
Q506	B1CHND000004	TRANSISTOR	1	
Q507	B1DAGQ000013	TRANSISTOR	1	
Q508	XN0450100L	TRANSISTOR	1	
Q509	XN0440100L	TRANSISTOR	1	
Q510	B1DHBD000004	TRANSISTOR	1	
Q511	B1CFND000005	TRANSISTOR	1	
Q512	B1CBGD000001	TRANSISTOR	1	
Q516	B1DHBD000004	TRANSISTOR	1	
Q517	B1HFCFA00021	TRANSISTOR	1	
Q518	B1DEHL000018	TRANSISTOR	1	
Q519	B1DEHF000002	TRANSISTOR	1	
Q520	B1HFCFA00021	TRANSISTOR	1	
Q525	B1CBGD000001	TRANSISTOR	1	
Q527	B1DEHL000018	TRANSISTOR	1	
Q530	B1CBGD000001	TRANSISTOR	1	
Q535	2SD1819A	TRANSISTOR	1	
Q536-38	B1CFQD000001	TRANSISTOR	3	
Q541	B1CBGD000001	TRANSISTOR	1	
Q544	XN0440100L	TRANSISTOR	1	
Q550	B1CHGD000006	TRANSISTOR	1	
Q551,52	B1CBGD000001	TRANSISTOR	2	
Q553	2SD1819A	TRANSISTOR	1	
Q554	B1DHBD000004	TRANSISTOR	1	
Q557	2SD1819A	TRANSISTOR	1	
Q558	B1CHHG000002	TRANSISTOR	1	
Q559	2SD1819A	TRANSISTOR	1	
Q560	B1CHHG000002	TRANSISTOR	1	
Q561,62	2SD1819A	TRANSISTOR	2	
Q564,65	2SD1819A	TRANSISTOR	2	
Q567	B1CBGD000001	TRANSISTOR	1	
R401	ERJ6GEYJ472	M 4.7KOHM, J, 1/10W	1	
R402	ERJ6EKF6803	M 680KOHM, 1/10W	1	
R403	ERJ6ENF4702	M 47KOHM, 1/10W	1	
R404	ERJ6GEYJ104	M 100KOHM, J, 1/10W	1	
R405	ERJ6EKF6803	M 680KOHM, 1/10W	1	
R407	ERJ6GEYJ103	M 10KOHM, J, 1/10W	1	
R408	ERJ6GEYJ104	M 100KOHM, J, 1/10W	1	
R410,11	D1F5100E0002	F 3.3 OHM, 5W	2	△
R412	ERJ6GEYJ472	M 4.7KOHM, J, 1/10W	1	
R413	D1F5100E0002	F 3.3 OHM, 5W	1	△
R414	ERJ8GEYJ153	M 15KOHM, J, 1/8W	1	
R415	ERJ6GEYJ103	M 10KOHM, J, 1/10W	1	
R416	ERJ6GEYJ332	M 3.3KOHM, J, 1/10W	1	
R417	ERJ6ENF4303	M 430KOHM, 1/10W	1	
R418	ERJ6GEYJ473	M 47KOHM, J, 1/10W	1	
R419	ERJ6GEYJ104	M 100KOHM, J, 1/10W	1	
R420	ERJ6GEYJ474	M 470KOHM, J, 1/10W	1	
R421	ERJ6GEYJ333	M 33KOHM, J, 1/10W	1	
R422	ERJ8GEYJ181	M 180 OHM, J, 1/8W	1	
R423	ERJ6GEYJ154	M 150KOHM, J, 1/10W	1	
R424	ERJ6GEYJ223	M 22KOHM, J, 1/10W	1	
R425	ERJ6GEYJ332	M 3.3KOHM, J, 1/10W	1	
R426	ERJ6GEYJ103	M 10KOHM, J, 1/10W	1	
R427	ERJ6GEYJ334	M 330KOHM, J, 1/10W	1	
R428	ERJ6GEYJ103	M 10KOHM, J, 1/10W	1	
R429	ERJ8GEYJ103	M 10KOHM, J, 1/8W	1	
R430	ERJ6ENF4303	M 430KOHM, 1/10W	1	
R431	ERJ6GEYJ103	M 10KOHM, J, 1/10W	1	
R432	ERJ8GEYJ103	M 10KOHM, J, 1/8W	1	
R433	ERJ6ENF1202	M 12KOHM, 1/10W	1	
R435	ERJ6GEYJ103	M 10KOHM, J, 1/10W	1	
R436	ERJ8GEYJ153	M 15KOHM, J, 1/8W	1	
R437	ERJ6GEYJ183	M 18KOHM, J, 1/10W	1	
R438	ERJ6GEYJ331	M 330 OHM, J, 1/10W	1	
R439	ERG12SJ120	M 12 OHM, J, 1/2W	1	
R440	ERJ8GEYJ474	M 470KOHM, J, 1/8W	1	
R441,42	ERJ6EKF6803	M 680KOHM, 1/10W	2	
R443	EVMAASA00B23	CONTROL 2KOHMB	1	
R444	ERJ6GEYJ123	M 12KOHM, J, 1/10W	1	

Ref. No.	Part No.	Part Name & Description	Pcs	Remarks
R445	ERJ6ENF1003	M 100KOHM, 1/10W	1	
R446	ERX2SJR39H	M0.39 OHM, J, 2W	1	
R447	ERJ6ENF3302	M 33KOHM, 1/10W	1	
R448,49	DOXGR10JA007	RESISTOR ARRAY	2	
R450	ERJ6GEYJ102	M 1KOHM, J, 1/10W	1	
R451	ERJ6GEYJ333	M 33KOHM, J, 1/10W	1	
R452	ERJ6GEYJ103	M 10KOHM, J, 1/10W	1	
R453	ERJ6GEYJ102	M 1KOHM, J, 1/10W	1	
R454	ERJ6GEYJ103	M 10KOHM, J, 1/10W	1	
R455	ERJ6GEYJ106	M 10MOHM, J, 1/10W	1	
R456,57	ERJ6GEYJ333	M 33KOHM, J, 1/10W	2	
R458	ERJ6GEYJ472	M 4.7KOHM, J, 1/10W	1	
R461	ERJ6GEYJ102	M 1KOHM, J, 1/10W	1	
R462	ERJ6ENF4303	M 430KOHM, 1/10W	1	
R463	ERJ6GEYJ333	M 33KOHM, J, 1/10W	1	
R464	ERJ6ENF3302	M 33KOHM, 1/10W	1	
R465	ERJ6ENF5603	M 560KOHM, 1/10W	1	
R466,67	ERJ6GEYJ102	M 1KOHM, J, 1/10W	2	
R468	ERJ6GEYJ472	M 4.7KOHM, J, 1/10W	1	
R469	ERJ6GEYJ103	M 10KOHM, J, 1/10W	1	
R470	ERX2SJR39H	M0.39 OHM, J, 2W	1	
R471	ERJ6GEYJ332	M 3.3KOHM, J, 1/10W	1	
R472,73	ERJ6ENF5603	M 560KOHM, 1/10W	2	
R474	ERG1SJ104P	M 100KOHM, J, 1W	1	
R475	ERJ6EKF6803	M 680KOHM, 1/10W	1	
R476,77	ERJ14YJ181U	M 181 OHM, J, 1/4W	2	
R478	ERJ8GEYJ220	M 22 OHM, J, 1/8W	1	
R479	ERG1SJ104P	M 100KOHM, J, 1W	1	
R480	ERJ6ENF9102	M91.0KOHM, 1/10W	1	
R481	ERJ6GEYJ106	M 10MOHM, J, 1/10W	1	
R482	ERJ8GEYJ220	M 22 OHM, J, 1/8W	1	
R483	ERJ6GEYJ106	M 10MOHM, J, 1/10W	1	
R485	ERJ6GEYJ102	M 1KOHM, J, 1/10W	1	
R486,87	ERJ6GEYJ682	M 6.8KOHM, J, 1/10W	2	
R488	ERJ6GEYJ106	M 10MOHM, J, 1/10W	1	
R489	ERJ6GEYJ102	M 1KOHM, J, 1/10W	1	
R490,91	ERJ6GEYJ473	M 47KOHM, J, 1/10W	2	
R492	ERJ6GEYJ220	M 22 OHM, J, 1/10W	1	
R493	ERG12SJ120	M 12 OHM, J, 1/2W	1	
R494-96	ERJ6ENF5603	M 560KOHM, 1/10W	3	
R497	ERJ6ENF2402	M 24KOHM, 1/10W	1	
R501	ERJ6GEYJ223	M 22KOHM, J, 1/10W	1	
R502,03	ERJ6GEYJ104	M 100KOHM, J, 1/10W	2	
R504	ERJ6GEYJ102	M 1KOHM, J, 1/10W	1	
R505	ERJ8GEYJ330	M 33 OHM, J, 1/8W	1	
R506	ERJ6GEYJ102	M 1KOHM, J, 1/10W	1	
R507	ERJ6GEYJ221	M 220 OHM, J, 1/10W	1	
R508	ERJ6GEYJ102	M 1KOHM, J, 1/10W	1	
R509-11	ERJ6GEYJ104	M 100KOHM, J, 1/10W	3	
R512	ERJ6GEYJ223	M 22KOHM, J, 1/10W	1	
R513,14	ERJ6GEYJ104	M 100KOHM, J, 1/10W	2	
R515,16	ERJ6GEYJ102	M 1KOHM, J, 1/10W	2	
R517	ERJ6GEYJ103	M 10KOHM, J, 1/10W	1	
R518	ERJ6GEYJ101	M 100 OHM, J, 1/10W	1	
R519,20	ERJ6GEYJ104	M 100KOHM, J, 1/10W	2	
R521,22	ERJ8GEYJ100	M 10 OHM, J, 1/8W	2	
R523	ERJ6GEYJ102	M 1KOHM, J, 1/10W	1	
R524	ERJ6GEYJ182	M 1.8KOHM, J, 1/10W	1	
R525	ERJ6GEYJ473	M 47KOHM, J, 1/10W	1	
R526,27	ERJ8GEYJ224	M 220KOHM, J, 1/8W	2	
R528	ERJ6GEYJ4R7	M 4.7 OHM, J, 1/10W	1	
R530	ERJ6RBD3302	M 3.3KOHM, F, 1/10W	1	
R531	ERJ8GEYJ472	M 4.7KOHM, J, 1/8W	1	
R532	ERJ6GEYJ101	M 100 OHM, J, 1/10W	1	
R533	ERJ8GEYJ223	M 22KOHM, J, 1/8W	1	
R534	ERJ8GEYJ224	M 220KOHM, J, 1/8W	1	
R535,36	ERJ6GEYJ102	M 1KOHM, J, 1/10W	2	
R537	ERJ6ENF3602	M 36KOHM, 1/10W	1	
R538	ERJ6GEYJ104	M 100KOHM, J, 1/10W	1	
R539	ERJ6RBD1002	M 1.0KOHM, 1/10W	1	
R540	ERJ6GEYJ103	M 10KOHM, J, 1/10W	1	
R541	ERJ6GEYJ104	M 100KOHM, J, 1/10W	1	
R542	ERJ6GEYJ102	M 1KOHM, J, 1/10W	1	

Ref. No.	Part No.	Part Name & Description	Pcs	Remarks
R543	ERJ6GEYJ222	M 2.2KOHM,J,1/10W	1	
R544	ERJ6GEYJ331	M 330 OHM,J,1/10W	1	
R545	ERJ6GEYJ103	M 10KOHM,J,1/10W	1	
R546,47	ERJ6GEYJ102	M 1KOHM,J,1/10W	2	
R548	ERJ8GEYJ102	M 1KOHM,J,1/8W	1	
R549	ERJ6GEYJ102	M 1KOHM,J,1/10W	1	
R550	ERJ6GEYJ105	M 1MOHM,J,1/10W	1	
R551	ERJ6GEYJ104	M 100KOHM,J,1/10W	1	
R552	ERJ6GEYJ102	M 1KOHM,J,1/10W	1	
R553	ERJ6GEYJ472	M 4.7KOHM,J,1/10W	1	
R554	ERJ6GEYJ332	M 3.3KOHM,J,1/10W	1	
R555,56	ERJ6GEYJ105	M 1MOHM,J,1/10W	2	
R557	ERJ8GEYJ471	M 470 OHM,J,1/8W	1	
R558	ERJ6GEYJ334	M 330KOHM,J,1/10W	1	
R559	ERJ6RBD4702	M 47KOHM, 1/10W	1	
R560	ERJ6ENF1302	M 13KOHM, 1/10W	1	
R561	ERJ6ENF4301	M 4.3KOHM, 1/10W	1	
R562	ERJ6ENF1802	M 18KOHM, 1/10W	1	
R563	ERJ6GEYJ2R2	M 2.2 OHM,J,1/10W	1	
R564	ERJ6GEYJ474	M 470KOHM,J,1/10W	1	
R565	ERJ6GEYJ334	M 330KOHM,J,1/10W	1	
R566	ERJ6GEYJ104	M 100KOHM,J,1/10W	1	
R567	ERJ8GEYJ472	M 4.7KOHM,J,1/8W	1	
R568,69	ERG2SJ181	M 180 OHM, J, 2W	2	
R570	ERJ8GEYJ102	M 1KOHM, J,1/8W	1	
R571	ERJ6GEYJ103	M 10KOHM,J,1/10W	1	
R572,73	ERJ8ENF3900	M 390 OHM, 1/8W	2	
R574	ERJ6GEYJ331	M 330 OHM,J,1/10W	1	
R575	ERJ6GEYJ102	M 1KOHM,J,1/10W	1	
R576	ERJ6ENF1202	M 12KOHM, 1/10W	1	
R577,78	ERJ6GEYJ473	M 47KOHM,J,1/10W	2	
R579	ERJ6GEYJ103	M 10KOHM,J,1/10W	1	
R580,81	ERJ6GEYJ473	M 47KOHM,J,1/10W	2	
R582	ERJ6ENF1002	M 10KOHM, 1/10W	1	
R583	ERJ6GEYJ473	M 47KOHM,J,1/10W	1	
R584	ERJ6GEYJ103	M 10KOHM,J,1/10W	1	
R585	ERJ6GEYJ333	M 33KOHM,J,1/10W	1	
R586,87	ERJ6GEYJ473	M 47KOHM,J,1/10W	2	
R588	ERJ8ENF3900	M 390 OHM, 1/8W	1	
R589,90	ERJ8GEYJ123	M 12KOHM, J,1/8W	2	
R591	ERJ6GEYJ105	M 1MOHM,J,1/10W	1	
R592	ERJ6ENF3001	M 3KOHM, 1/10W	1	
R593	ERJ6ENF5601	M 5.6KOHM, 1/10W	1	
R594	ERJ6GEYJ103	M 10KOHM,J,1/10W	1	
R595	ERJ8GEYJ222	M 2.2KOHM, J,1/8W	1	
R596	ERJ6ENF1002	M 10KOHM, 1/10W	1	
R597,98	ERJ6GEYJ473	M 47KOHM,J,1/10W	2	
R599,00	ERJ8GEYJ391	M 390 OHM, J,1/8W	2	
R601	ERJ6GEYJ473	M 47KOHM,J,1/10W	1	
R602	ERJ6ENF3301	M 3.3KOHM, 1/10W	1	
R603	ERJ6GEYJ332	M 3.3KOHM,J,1/10W	1	
R604	ERJ6GEYJ122	M 1.2KOHM,J,1/10W	1	
R606	ERJ6ENF1201	M 1.2KOHM, 1/10W	1	
R607	ERJ6GEYJ822	M 8.2KOHM,J,1/10W	1	
R608	ERJ8GEYJ332	M 3.3KOHM, J,1/8W	1	
R609	ERJ6GEYJ822	M 8.2KOHM,J,1/10W	1	
R610,11	ERJ6GEYJ103	M 10KOHM,J,1/10W	2	
R612	ERJ6GEYJ222	M 2.2KOHM,J,1/10W	1	
R613	ERJ6ENF1602	M 16KOHM, 1/10W	1	
R614	ERJ6ENF3301	M 3.3KOHM, 1/10W	1	
R615-17	ERJ6GEYJ103	M 10KOHM,J,1/10W	3	
R618	ERJ6GEYJ104	M 100KOHM,J,1/10W	1	
R619	ERJ8RQFR68	M 0.68OHM, J,1/8W	1	
R620	ERJ6GEYJ103	M 10KOHM,J,1/10W	1	
R621	ERJ8GEYJ123	M 12KOHM, J,1/8W	1	
R622	ERJ8ENF1503	M 15KOHM, 1/8W	1	
R623	ERJ6GEYJ103	M 10KOHM,J,1/10W	1	
R624	ERX2SJR22	M0.22 OHM, J, 2W	1	
R625	ERJ6GEYJ104	M 100KOHM,J,1/10W	1	
R626	ERJ8ENF1503	M 15KOHM, 1/8W	1	
R627	ERJ6GEYJ822	M 8.2KOHM,J,1/10W	1	
R628	EVMAASA00B33	CONTROL 3KOHMB	1	
R629	ERJ6GEYJ104	M 100KOHM,J,1/10W	1	

Ref. No.	Part No.	Part Name & Description	Pcs	Remarks
R630	ERJ6GEYJ473	M 47KOHM,J,1/10W	1	
R631	ERJ8GEYJ333	M 33KOHM, J,1/8W	1	
R632	ERJ6GEYJ221	M 220 OHM,J,1/10W	1	
R633	ERJ6GEYJ334	M 330KOHM,J,1/10W	1	
R634	ERJ8RQFR68	M 0.68OHM, J,1/8W	1	
R636	ERJ8ENF1503	M 15KOHM, 1/8W	1	
R637	ERJ8RQFR68	M 0.68OHM, J,1/8W	1	
R640	ERJ6GEYJ103	M 10KOHM,J,1/10W	1	
R641	ERJ6GEYJ473	M 47KOHM,J,1/10W	1	
R642-44	ERJ8RQFR68	M 0.68OHM, J,1/8W	3	
R645	ERJ6GEYJ473	M 47KOHM,J,1/10W	1	
R646,47	ERJ6GEYJ223	M 22KOHM,J,1/10W	2	
R648	ERJ8ENF1503	M 15KOHM, 1/8W	1	
R649	ERJ6GEYJ223	M 22KOHM,J,1/10W	1	
R650	ERJ6GEYJ103	M 10KOHM,J,1/10W	1	
R651	ERJ6GEYJ473	M 47KOHM,J,1/10W	1	
R652	ERJ6ENF9101	M 9.1KOHM, 1/10W	1	
R653	ERJ6GEYJ103	M 10KOHM,J,1/10W	1	
R654	ERJ8GEYJ101	M 100 OHM, J,1/8W	1	
R655	ERJ8RQJR39	M0.39 OHM, 1/8W	1	
R656	ERJ6ENF4702	M 47KOHM, 1/10W	1	
R657	ERJ6GEYJ102	M 1KOHM,J,1/10W	1	
R658	ERJ6GEYJ105	M 1MOHM,J,1/10W	1	
R659	ERJ6ENF3002	M 30KOHM, 1/10W	1	
R660	ERJ6ENF1202	M 12KOHM, 1/10W	1	
R661	EVMAASA00B53	CONTROL 5KOHMB	1	
R662	ERJ6ENF1303	M 130KOHM, 1/10W	1	
R663	ERJ3GEYJ2R2	M 2.2 OHM,J,1/16W	1	
R664	ERJ6ENF9101	M 9.1KOHM, 1/10W	1	
R665	EVMAASA00B23	CONTROL 2KOHMB	1	
R666	ERJ6GEYJ102	M 1KOHM,J,1/10W	1	
R667,68	ERJ8GEY0R00	M 0 OHM, 1/8W	2	
R669	ERJ6ENF1303	M 130KOHM, 1/10W	1	
R670	ERJ6GEYJ102	M 1KOHM,J,1/10W	1	
R671	EVMAASA00B14	CONTROL 10KOHMB	1	
R674	ERJ8GEYJ333	M 33KOHM, J,1/8W	1	
R675	ERJ3GEYJ2R2	M 2.2 OHM,J,1/16W	1	
R676	ERJ8GEYJ333	M 33KOHM, J,1/8W	1	
R677	ERJ6GEYJ224	M 220KOHM,J,1/10W	1	
R678	ERJ6GEYJ223	M 22KOHM,J,1/10W	1	
R679,80	ERJ8RQJR39	M0.39 OHM, 1/8W	2	
R681	ERJ6ENF1500	M 150 OHM, 1/10W	1	
R682	ERJ6GEYJ222	M 2.2KOHM,J,1/10W	1	
R683	ERJ6ENF1500	M 150 OHM, 1/10W	1	
R684	ERJ6GEYJ223	M 22KOHM,J,1/10W	1	
R685	ERJ6GEYJ104	M 100KOHM,J,1/10W	1	
R686	ERJ6GEYJ102	M 1KOHM,J,1/10W	1	
R687	ERJ6GEYJ103	M 10KOHM,J,1/10W	1	
R688	ERJ6GEYJ223	M 22KOHM,J,1/10W	1	
R689	ERJ6GEYJ102	M 1KOHM,J,1/10W	1	
R690	ERJ6GEYJ103	M 10KOHM,J,1/10W	1	
R691	ERJ6GEYJ104	M 100KOHM,J,1/10W	1	
R692,93	ERJ6GEYJ472	M 4.7KOHM,J,1/10W	2	
R694	ERJ6GEYJ104	M 100KOHM,J,1/10W	1	
R695	ERJ6ENF1602	M 16KOHM, 1/10W	1	
R696	ERJ8GEYJ100	M 10 OHM, J,1/8W	1	
R697	ERJ6GEYJ104	M 100KOHM,J,1/10W	1	
R698	ERJ8RQJR39	M0.39 OHM, 1/8W	1	
R702	ERJ6GEYJ101	M 100 OHM,J,1/10W	1	
R703,04	ERG2SJ101	M 100 OHM, J, 2W	2	
R706	ERJ6GEYJ103	M 10KOHM,J,1/10W	1	
R707	ERJ6GEYJ102	M 1KOHM,J,1/10W	1	
R708	ERJ6GEYJ104	M 100KOHM,J,1/10W	1	
R712	ERJ6GEY0R00	M 0 OHM, 1/10W	1	
R713	ERJ8GEYJ472	M 4.7KOHM, J,1/8W	1	
R901	ERJ6ENF2702	M 27KOHM, 1/10W	1	
R903-06	ERJ8ENF1203	M 12KOHM, 1/8W	4	
R907	ERJ6ENF2702	M 27KOHM, 1/10W	1	
R908	ERJ6GEYJ335	M 3.3MOHM,J,1/10W	1	
R909-11	ERJ6GEYJ106	M 10MOHM,J,1/10W	3	
R912	ERJ6GEYJ103	M 10KOHM,J,1/10W	1	
R913,14	ERJ6GEYJ102	M 1KOHM,J,1/10W	2	
R915	ERJ6GEYJ103	M 10KOHM,J,1/10W	1	

Ref. No.	Part No.	Part Name & Description	Pcs	Remarks
R916	ERJ6GEY0R00	M 0 OHM, 1/10W	1	
R917	ERJ6GEYJ334	M 330KOHM, J, 1/10W	1	
R918	ERJ6GEYJ103	M 10KOHM, J, 1/10W	1	
R920	ERJ6GEYJ104	M 100KOHM, J, 1/10W	1	
R921	ERJ6RBD3092	M30.9KOHM, F, 1/10W	1	
R922	ERJ6GEYJ101	M 100 OHM, J, 1/10W	1	
R925	ERJ6GEYJ335	M 3.3MOHM, J, 1/10W	1	
R926,27	ERG2DJW224E	M 220KOHM, J, 2W	2	
R928-31	ERJ8ENF1203	M 12KOHM, 1/8W	4	
R932	ERJ6GEYJ105	M 1MOHM, J, 1/10W	1	
RL402	TSEH8011	RELAY	1	△
RL403	TSE10801	RELAY	1	△
S401,02	J0LT00000009	SWITCH	2	△
T401	G4D4A0000107	SWITCHING TRANSFORMER	1	
T402	G4D1A0000098	SWITCHING TRANSFORMER	1	△
T404	G4D4A0000109	SWITCHING TRANSFORMER	1	△
T407	ETQ11K5AZ	CHOKE TRANS	1	△
T410	G4D2A0000229	SWITCHING TRANSFORMER	1	△
T601	G4D2A0000227	SWITCHING TRANSFORMER	1	
W2	ERDS2TJ391	C 390 OHM, J, 1/4W	1	
X501	H2B400400021	CRYSTAL	1	
Z1, Z2	K4ZZ01000206	TERMINAL	2	
Z410	TMM7464-2	CLAMPER	1	
Z411	TMME190	CLAMPER	1	
Z412	TMM7443-3	CLAMPER	1	
Z413	TMM7464-2	CLAMPER	1	
Z414	TMME190	CLAMPER	1	
Z420	TMM23417	CLAMPER	1	
Z450-53	EYF52BCY	FUSE HOLDER	4	
ZN401,02	D4EAD6210001	VARISTOR	2	△
ZN403	D4EA8511A001	VARISTOR	1	△
ZN404	D4EAB681A011	VARISTOR	1	△