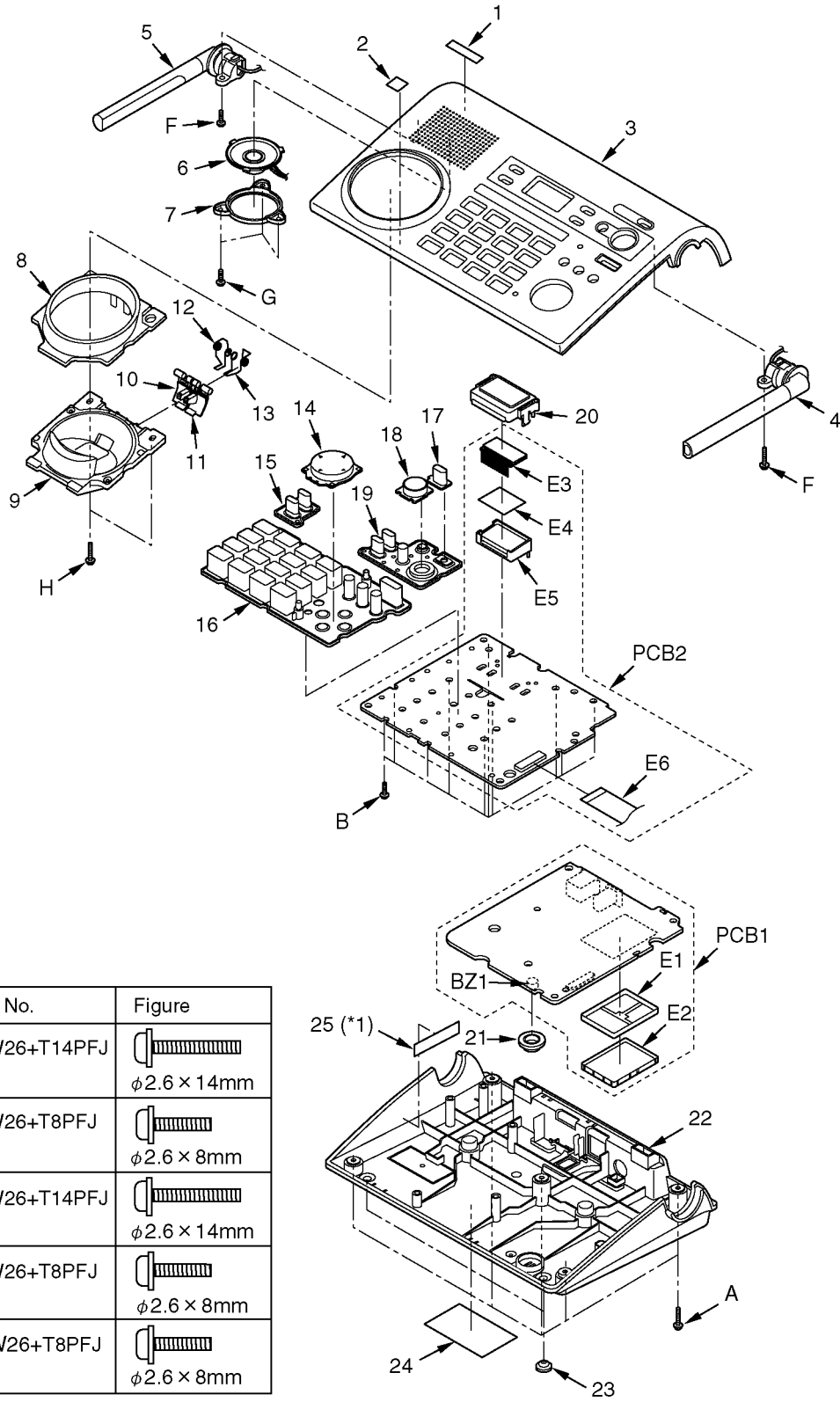

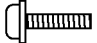
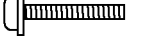
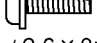
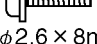


16 Exploded View and Replacement Parts List

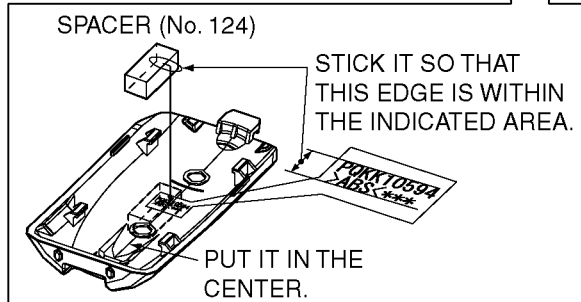
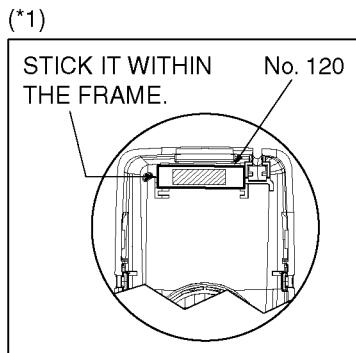
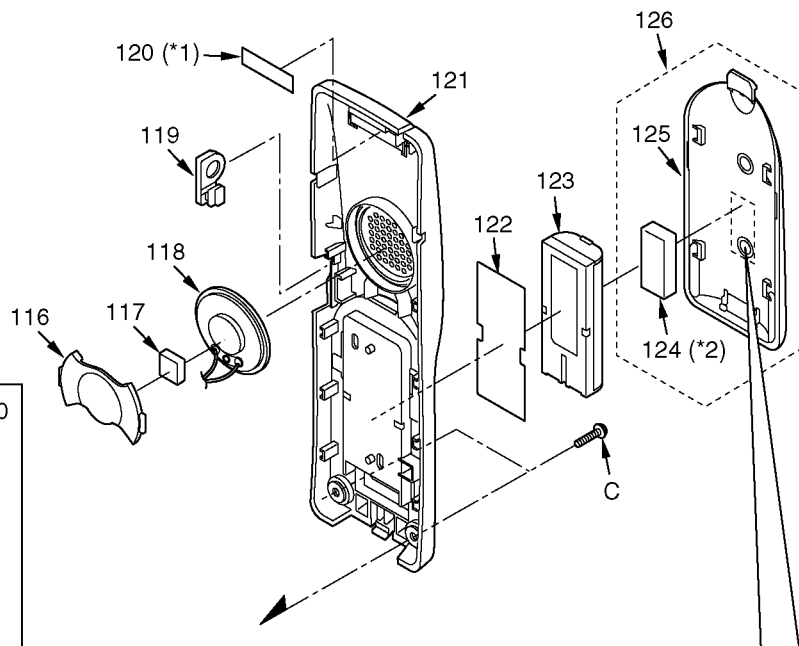
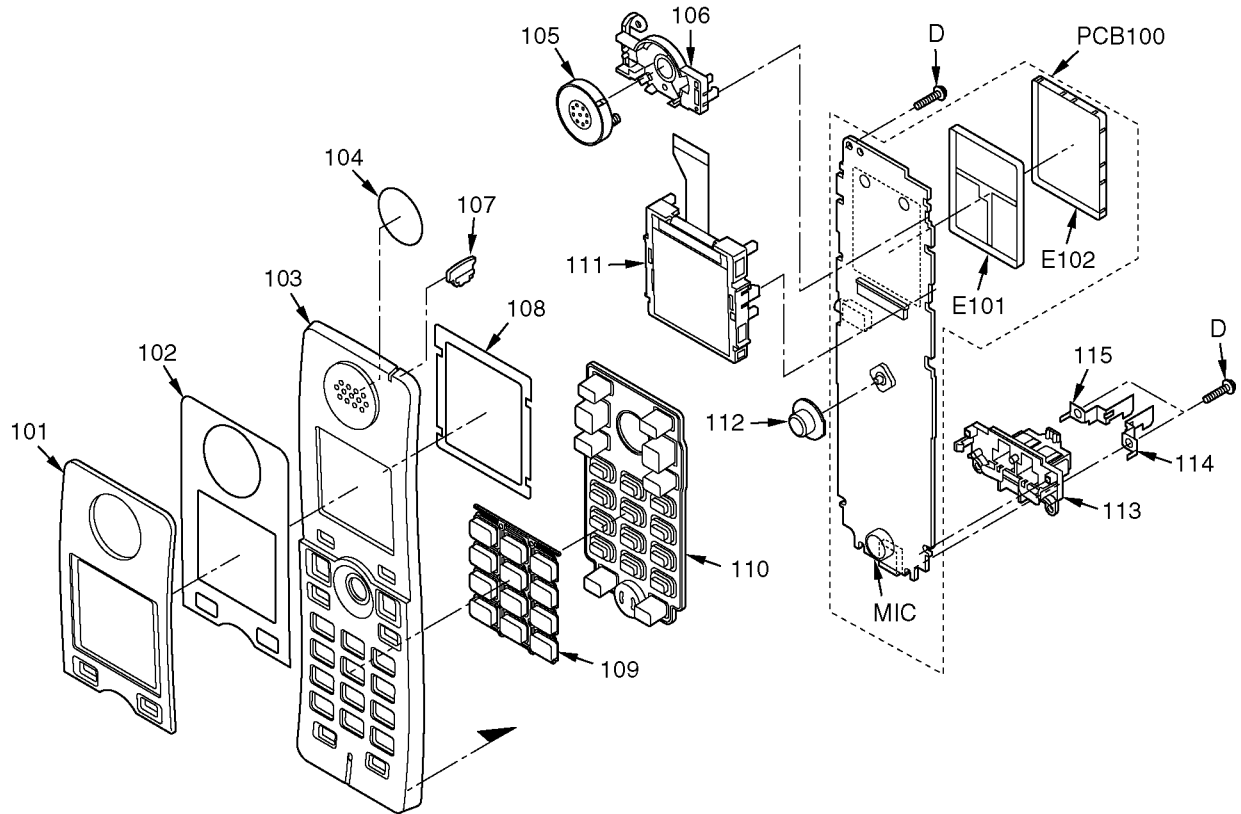
16.1. Cabinet and Electrical Parts (Base Unit)

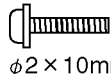
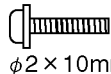


Ref.No.	Part No.	Figure
A	XTW26+T14PFJ	 φ2.6 × 14mm
B	XTW26+T8PFJ	 φ2.6 × 8mm
F	XTW26+T14PFJ	 φ2.6 × 14mm
G	XTW26+T8PFJ	 φ2.6 × 8mm
H	XTW26+T8PFJ	 φ2.6 × 8mm

Note:
(*1) for KX-TG5776

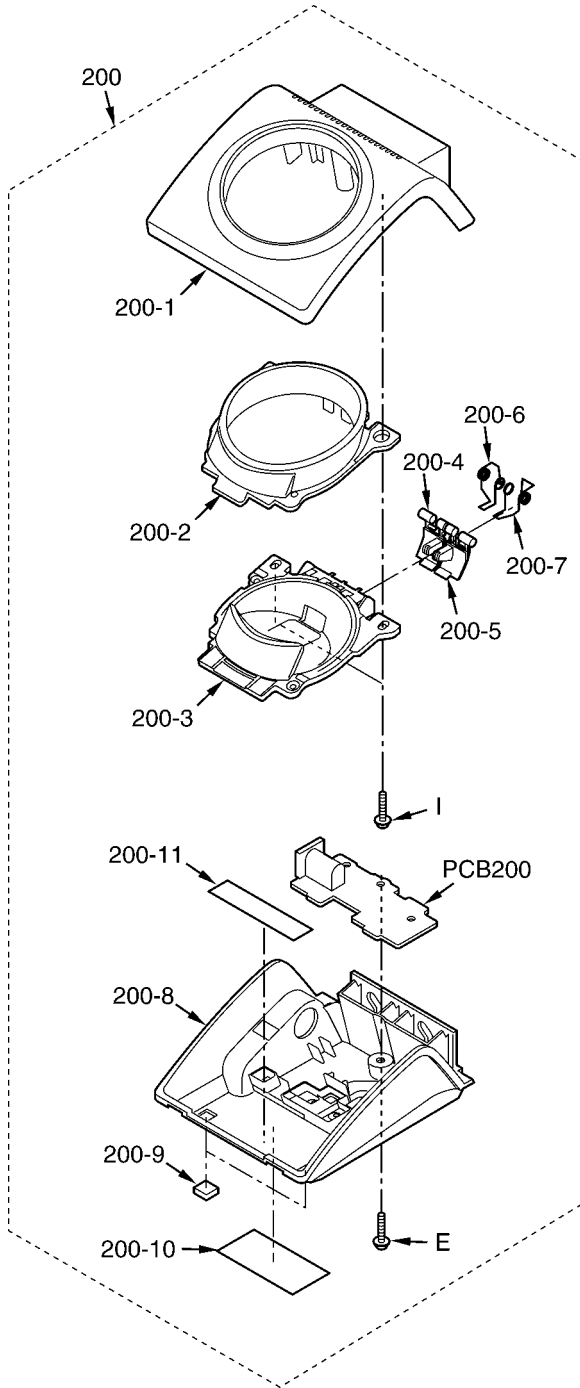
16.2. Cabinet and Electrical Parts (Handset)

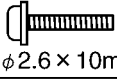
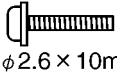


Ref.No.	Part No.	Figure
C	XTW2+R10PFJ	 φ2 × 10mm
D	XTW2+R10PFJ	 φ2 × 10mm

Note:
 (*1) Stick the magnetic shield (No. 120) to the exact location described above.
 (*2) Attach the spacer (No. 124) to the exact location described above.

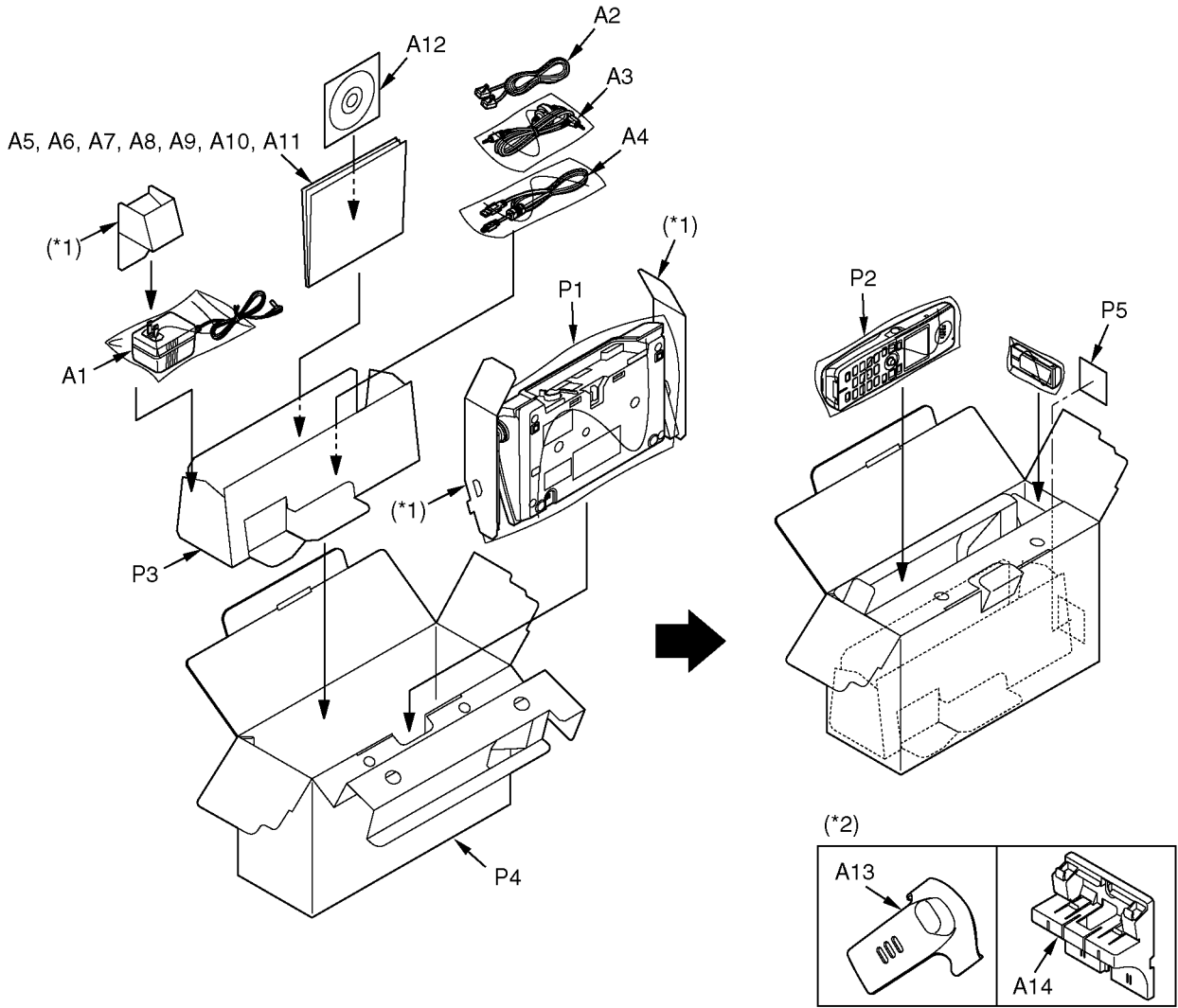
16.3. Cabinet and Electrical Parts (Charger Unit)



Ref.No.	Part No.	Figure
E	XTW26+T10PFJ	 φ2.6 × 10mm
I	XTW26+T10PFJ	 φ2.6 × 10mm

16.4. Accessories and Packing Materials

16.4.1. KX-TG5776S

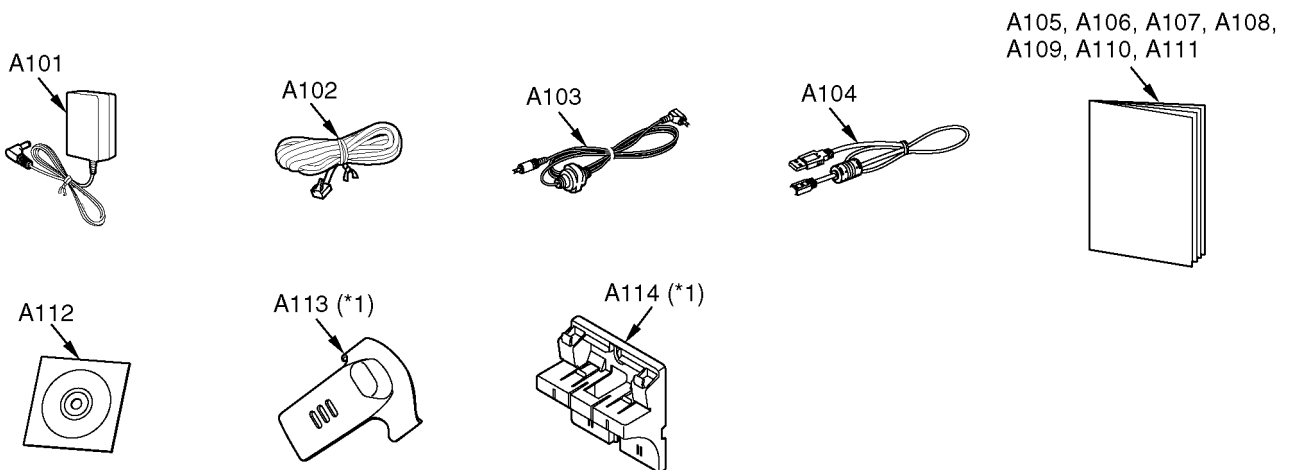


Note:

(*1) These pads are pieces of Ref No. P3 (CUSHION).

(*2) for Service

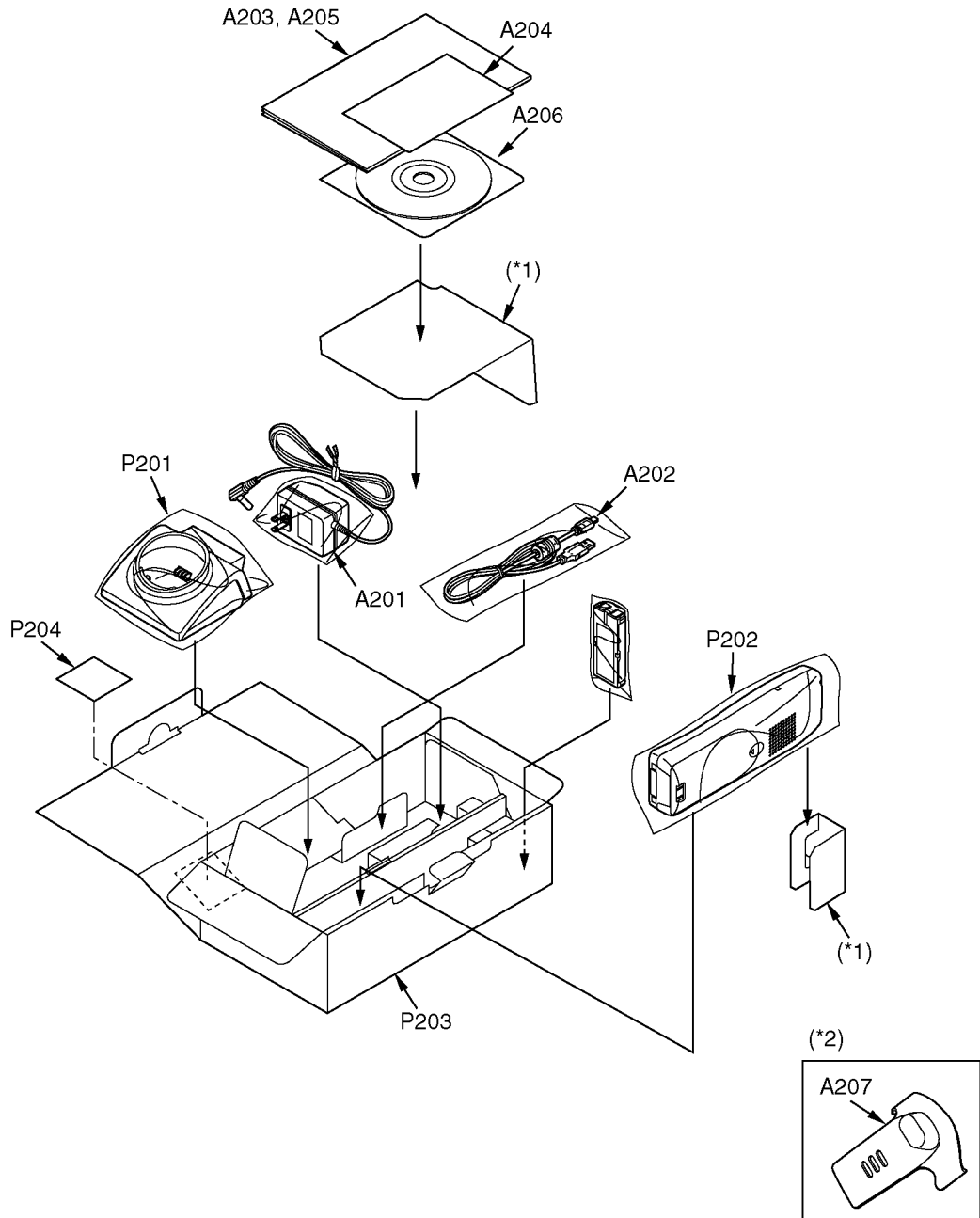
16.4.2. KX-TG5777S



Note:

(*1) for Service

16.4.3. KX-TGA571S



Note:

- (*1) These pads are pieces of Ref No. P203 (GIFT BOX).
- (*2) for Service

16.5. Replacement Parts List

Note:

1. RTL (Retention Time Limited)

The marking (RTL) indicates that the Retention Time is limited for this item.

After the discontinuation of this assembly in production, the item will continue to be available for a specific period of time. The retention period of availability depends on the type of assembly and the laws governing parts and product retention.

At the end of this period, the assembly will no longer be available.

2. Important safety notice

Components identified by the Δ mark indicates special characteristics important for safety. When replacing any of these components, only use specified manufacture's parts.

3. The S mark means the part is one of some identical parts.

For that reason, it may be different from the installed part.

4. ISO code (Example: ABS-94HB) of the remarks column shows quality of the material and a flame resisting grade about plastics.

5. RESISTORS & CAPACITORS

Unless otherwise specified;

All resistors are in ohms (Ω) K=1000 Ω , M=1000k Ω

All capacitors are in MICRO FARADS (μ F) P= μ mF

*Type & Wattage of Resistor

Type

ERC:Solid ERDS:Carbon ERJ:Chip	ERX: Metal Film ERG: Metal Oxide ER0: Metal Film	PQ4R: Chip ERS: Fusible Resistor ERF: Cement Resistor
--------------------------------------	--	---

Wattage

10,16:1/8W	14,25:1/4W	12:1/2W	1:1W	2:2W	3:3W
------------	------------	---------	------	------	------

*Type & Voltage Of Capacitor

Type

ECFD: Semi-Conductor ECQS: Styrol ECUV, PQCUV, ECUE: Chip ECQMS: Mica	ECCD, ECKD, ECBT, F1K, ECUV: Ceramic ECQE, ECQV, ECQG: Polyester ECEA, ECST, EEE: Electlytic ECQP: Polypropylene
--	---

Voltage

ECQ Type	ECQG ECQV Type	ECSZ Type	Others		
1H:50V 2A:100V 2E:250V 2H:500V	05:50V 1:100V 2:200V	0F:3.15V 1A:10V 1V:35V 0J:6.3V	0J :6.3V 1A :10V 1C :16V 1E,25:25V	1V :35V 50,1H:50V 1J :16V 2A :100V	

16.5.1. Base Unit

16.5.1.1. Cabinet and Electrical Parts

Ref. No.	Part No.	Part Name & Description	Remarks
1	PQQT23130Z	LABEL, URL	
2	PQQT23193Z	LABEL, CHARGE	
3	PQKM10717Z1	CABINET BODY (for KX-TG5776S)	PS-HB
3	PQKM10717M1	CABINET BODY (for KX-TG5777S)	PS-HB
4	PFSA1049Z	ANTENNA (R)	
5	PFSA1050Z	ANTENNA (L)	
6	L0AA04A00028	SPEAKER	
7	PQHR11082Z	GUIDE, SP HOLDER	POM-HB
8	PQGG10411Z1	GRILLE, CRADLE	ABS-HB
9	PQKE10440Z1	CASE, CHARGE TERMINAL	PS-HB
10	PQKE10437Z1	HOLDER, CHARGE TERMINAL (L)	POM-HB
11	PQKE10438Z1	HOLDER, CHARGE TERMINAL (R)	POM-HB

Ref. No.	Part No.	Part Name & Description	Remarks
12	PQJT10241Z	CHARGE TERMINAL (L)	
13	PQJT10242Z	CHARGE TERMINAL (R)	
14	PQBC10473Y2	BUTTON, NAVI KEY	ABS-HB
15	PQSX10322Z	KEYBOARD SWITCH, MEMO	
16	PQSX10320Z	KEYBOARD SWITCH, DIAL	
17	PQBC10471Z1	BUTTON, ANSWER ON	ABS-HB
18	PQBC10472Z1	BUTTON, MESSAGE	ABS-HB
19	PQSX10321Y	KEYBOARD SWITCH, TAM	
20	PQGP10306Z1	PANEL, LCD	AS-HB
21	PQMG10025Z	RUBBER PARTS, MIC	
22	PQKF10707Z1	CABINET COVER	PS-HB
23	PQHA10011Z	RUBBER PARTS, FOOT CUSHION	
24	PQGT18367Z	NAME PLATE (for KX-TG5776S)	
24	PQGT19064Z	NAME PLATE (for KX-TG5777S)	
25	PQXDZLDRS1	LABEL, SECURITY TAG (for KX-TG5776S)	

16.5.1.2. Main P.C. Board Parts

Note:

(*1) When you have replaced IC501 or IC601, adjust X501.

Refer to **Check and Adjust X501 (Base Unit) Frequency (P.85)**.

(*2) When replacing IC701, IC801, or IC851, refer to **How to Replace the LLP (Leadless Leadframe Package) IC (P.79)**.

Ref. No.	Part No.	Part Name & Description	Remarks
PCB1	PQWP1TG5771H	MAIN P.C.BOARD ASS'Y (RTL) (ICs)	
IC300	C0DBAGZ00023	IC	S
IC331	C0DBFGD00017	IC	
IC501	C2HBBY000020	IC (*1)	
IC601	PQWITG5771SH	IC (*1)	
IC701	C1CB00001657	IC (*2)	
IC761	C0CBAAC00083	IC	
IC801	C1CB00001682	IC (*2)	
IC841	C0CBABE00029	IC	
IC851	C1CB00002281	IC (*2)	
		(TRANSISTORS)	
Q111	2SD1819A	TRANSISTOR (SI)	
Q141	B1ADGP000008	TRANSISTOR (SI)	
Q142	B1BBAP000021	TRANSISTOR (SI)	S
Q161	2SD0874AS	TRANSISTOR (SI)	
Q171	2SD1819A	TRANSISTOR (SI)	
Q300	B1CHND000004	TRANSISTOR (SI)	
Q340	2SD1819A	TRANSISTOR (SI)	
Q361	2SB1218A	TRANSISTOR (SI)	
Q362	2SD1819A	TRANSISTOR (SI)	
Q535	2SD1819A	TRANSISTOR (SI)	
		(DIODES)	
D101	PQVDM5S	DIODE (SI)	
D113	MA111	DIODE (SI)	S
D133	MA111	DIODE (SI)	S
D142	PQVDRLZ20A	DIODE (SI)	S
D300	B0JCME000035	DIODE (SI)	
D361	MA8220	DIODE (SI)	S
D362	B0ECKM000008	DIODE (SI)	
D472	MAZ805100L	DIODE (SI)	
D473	MAZ805100L	DIODE (SI)	
		(COILS)	
L101	PQLQXF330K	COIL	S
L102	PQLQXF330K	COIL	S
L300	G1C220M00037	COIL	S
L361	G1C6R8MA0072	COIL	
L472	G1C6R8MA0072	COIL	
L473	G1C6R8MA0072	COIL	
L501	PQLQR2KA213	COIL	S
L711	MQLRF18NJFB	COIL	
L782	G1C1R0KA0096	COIL	

Ref. No.	Part No.	Part Name & Description	Remarks
L871	MQLRF3N3DFB	COIL	
C723	MQLRF2N7DFB	COIL	
		(JACKS AND CONNECTOR)	
CN101	K2LB102B0053	JACK	
CN301	K2ECYB000001	JACK	
CN661	K1MY32BA0026	CONNECTOR	
		(LCR FILTERS)	
FL811	JOE5797B0001	LCR FILTER	
FL821	KNCFH165R8Z1	LCR FILTER	
FL881	JOE5797B0002	LCR FILTER	
FL891	JOE5797B0002	LCR FILTER	
		(COMPONENTS PARTS)	
RA500	D1H810440003	RESISTOR ARRAY	S
RA501	D1H84724A013	RESISTOR ARRAY	S
		(VARISTORS)	
SA101	J0LE00000047	VARISTOR (SURGE ABSORBER)	
SA104	J0LE00000047	VARISTOR (SURGE ABSORBER)	
		(RESISTORS)	
R111	ERJ3GEYJ104	100K	
R112	ERJ3GEYJ104	100K	
R113	ERJ3GEYJ103	10K	
R114	ERJ3GEYJ473	47K	
R121	ERJ3GEYJ394	390K	
R122	ERJ3GEYJ394	390K	
R131	ERJ3GEYJ106	10M	
R133	ERJ3GEYJ105	1M	
R134	ERJ3GEYJ102	1K	
R141	ERJ3GEYJ104	100K	
R142	ERJ3GEYJ103	10K	
R143	ERJ3GEYJ103	10K	
R145	ERJ2GEJ103	10K	
R151	ERJ3GEYJ106	10M	
R152	ERJ3GEYJ395	3.9M	
R154	ERJ3GEYJ102	1K	
R160	ERJ3GEYJ751	750	
R162	ERJ3GEYJ393	39K	
R163	ERJ12YJ330	33	
R164	ERJ3GEYJ470	47	
R165	ERJ3GEYJ561	560	
R167	ERJ2GEJ102	1K	
R168	ERJ3GEY0R00	0	
R171	ERJ2GEJ220	22	
R172	ERJ2GEJ104	100K	
R175	ERJ3GEYJ561	560	
R176	ERJ3GEYJ101	100	
R178	ERJ2GEJ102	1K	
R183	ERJ2GEJ222	2.2K	
R185	ERJ3GEYJ333	33K	
R303	ERJ3GEYJ221	220	
R304	ERJ3GEYJ221	220	
R308	ERJ3GEYJ121	120	
R340	ERJ3GEYJ123	12K	
R341	ERJ3GEYJ182	1.8K	
R342	ERJ3GEYJ473	47K	
R361	ERJ3GEYJ332	3.3K	
R362	ERJ3GEYJ473	47K	
R364	ERJ3GEYJ103	10K	
R365	ERJ3GEYJ102	1K	
R371	ERJ1TYJ220	22	
R372	ERJ1TYJ220	22	
R421	ERJ2GEJ473	47K	
R422	ERJ2GEJ102	1K	
R423	ERJ2GEJ102	1K	
R453	ERJ2GEJ222	2.2K	
R454	ERJ2GEJ222	2.2K	
R459	ERJ2GEJ272	2.7K	
R460	ERJ2GEJ272	2.7K	
R472	ERJ2GEJ1R0	1	
R473	ERJ2GEJ1R0	1	
R517	ERJ3GEYJ100	10	
R533	ERJ2GEJ472X	4.7K	
R535	ERJ2GEJ102	1K	
R536	ERJ2GEJ222	2.2K	

Ref. No.	Part No.	Part Name & Description	Remarks
R677	ERJ2GEJ221	220	
R679	ERJ2GEJ821	820	
R681	ERJ2GEJ561	560	
R683	ERJ2GEJ821	820	
R701	ERJ2RKF103X	10K	
R732	ERJ2GEJ100	10	
R733	ERJ2GEJ100	10	
R735	ERJ2GEJ4R7	4.7	
R742	ERJ2GEJ331	330	
R744	ERJ2GEJ102	1K	
R747	ERJ2GEJ102	1K	
R751	ERJ2GEJ102	1K	
R752	ERJ2GEJ102	1K	
R809	ERJ2GEJ561	560	
R813	ERJ2GE0R00	0	
R822	ERJ2GEJ271	270	
R823	ERJ2GEJ180	18	
R824	ERJ2GEJ271	270	
R832	ERJ2GEJ562X	5.6K	
R834	ERJ2GEJ332	3.3K	
R865	ERJ2GEJ271	270	
		(CAPACITORS)	
C101	F1K2J681A006	680P	
C102	F1K2J681A006	680P	
C111	FLJ2A473A024	0.047	
C112	FLJ2A473A024	0.047	
C113	PQCUV1A684KB	0.68	S
C120	ECUV1H102KBV	0.001	
C121	ECUV1H681JCV	680P	S
C122	ECUV1H681JCV	680P	S
C132	ECUV1H103KBV	0.01	
C142	ECUV1H103KBV	0.01	
C153	ECUV1H103KBV	0.01	
C161	EEE1EA100WR	10	
C162	ECUV1H101JCV	100P	
C163	ECUV1H472KBV	0.0047	
C165	ECUV1C473KBV	0.047	
C166	EEE1CA100SR	10	
C167	ECUV1A224KBV	0.22	
C172	F1G1H272A571	0.0027	
C176	EEE0JA220SR	22	
C178	ECUE1A333KBQ	0.033	S
C184	ECJ0EB1A473K	0.047	
C185	ECJ0EB1C183K	0.018	
C300	EEEFK1C470P	47	
C302	ECUV1H332KBV	0.0033	
C303	ECUV1H103KBV	0.01	
C304	ECUV1A105KBV	1	
C305	ECUV1H103KBV	0.01	
C306	F2G1E1010011	100	S
C308	ECUV1C224KBV	0.22	
C331	ECUV1C474KBV	0.47	
C332	ECUV1C104KBV	0.1	
C341	EEE0JA331P	330	
C342	ECUV1C104KBV	0.1	
C347	ECUV1C104KBV	0.1	
C352	ECUV1C104KBV	0.1	
C361	ECJ0EB1H102K	0.001	
C381	ECUV1A105KBV	1	
C382	F1K0J1060020	10	
C422	ECJ0EB1A104K	0.1	
C457	ECJ0EB1C123K	0.012	
C458	ECJ0EB1C123K	0.012	
C459	ECJ0EB1C103K	0.01	
C501	ECUV1C104KBV	0.1	
C503	ECUV1C104KBV	0.1	
C504	ECUV1C104KBV	0.1	
C508	ECJ0EC1H060C	6P	
C509	ECJ0EC1H060C	6P	
C513	ECUV1C104KBV	0.1	
C515	ECUV1A105KBV	1	
C516	ECST0JY106	10	S
C517	ECUV1C104KBV	0.1	

Ref. No.	Part No.	Part Name & Description	Remarks
C518	ECST0JY106	10	S
C521	ECJ0EB1A104K	0.1	
C531	ECUV1C104KBV	0.1	
C601	ECJ0EB1A104K	0.1	
C660	ECUV1C104KBV	0.1	
C663	ECJ0EB1H102K	0.001	
C664	ECJ0EB1H102K	0.001	
C665	ECJ0EB1H102K	0.001	
C666	ECJ0EB1H102K	0.001	
C667	ECJ0EB1H102K	0.001	
C668	ECJ0EB1H102K	0.001	
C669	ECJ0EB1H102K	0.001	
C670	ECJ0EB1H102K	0.001	
C671	ECJ0EB1H102K	0.001	
C672	ECJ0EB1H102K	0.001	
C684	ECJ0EB1H331K	330P	
C685	ECJ0EB1H331K	330P	
C686	ECJ0EB1H331K	330P	
C687	ECJ0EB1H331K	330P	
C688	ECJ0EB1H331K	330P	
C689	ECJ0EB1H331K	330P	
C701	PQCVU0J475MB	4.7	
C702	ECJ0EB1A104K	0.1	
C704	ECJ0EB1H102K	0.001	
C705	ECJ0EC1H100D	10P	
C706	ECJ0EB1C103K	0.01	
C707	ECJ0EB1H102K	0.001	
C708	ECJ0EC1H1R5C	1.5P	
C711	ECJ0EC1H010C	1P	
C712	ECJ0EC1H020C	2P	
C713	ECJ0EC1H100D	10P	
C714	ECJ0EB1H102K	0.001	
C715	ECJ0EC1H050C	5P	
C716	ECJ0EC1H020C	2P	
C722	ECJ0EC1H020C	2P	
C725	ECJ0EC1H050C	5P	
C731	ECJ0EB1C103K	0.01	
C732	ECJ0EB1H102K	0.001	
C733	ECJ0EB1H102K	0.001	
C734	ECJ0EB1H102K	0.001	
C735	ECJ0EB1A104K	0.1	
C737	ECJ0EB1H102K	0.001	
C741	ECJ0EB1H222K	0.0022	
C742	ECJ0EB1C103K	0.01	
C743	ECJ0EC1H221J	220P	
C745	ECJ0EC1H101J	100P	
C746	ECJ0EC1H101J	100P	
C747	ECJ0EC1H100D	10P	
C748	ECJ0EC1H101J	100P	
C749	ECJ0EC1H101J	100P	
C750	ECJ0EC1H101J	100P	
C751	ECJ0EC1H100D	10P	
C752	ECJ0EB1H471K	470P	
C763	ECUV1A474KBV	0.47	
C764	ECJ0EC1H020C	2P	
C773	ECJ0EC1H101J	100P	
C781	ECJ0EB1A104K	0.1	
C782	ECJ0EC1H121J	120P	
C801	ECJ0EC1H030C	3P	
C802	ECJ0EC1H220J	22P	
C803	ECJ0EB1C103K	0.01	
C804	ECJ0EC1H150J	15P	
C806	ECJ0EC1H100D	10P	
C809	ECUE1A333KBQ	0.033	S
C811	ECJ0EC1H020C	2P	
C821	ECJ0EC1H100D	10P	
C824	ECJ0EC1H100D	10P	
C832	ECJ0EC1H221J	220P	
C833	ECJ0EC1H101J	100P	
C834	ECJ0EB1C103K	0.01	
C835	ECJ0EB1H471K	470P	
C836	ECUV1A105KBV	1	
C837	ECJ0EC1H101J	100P	

Ref. No.	Part No.	Part Name & Description	Remarks
C842	ECUV1A105KBV	1	
C843	ECUV1A474KBV	0.47	
C844	ECJ0EC1H020C	2P	
C856	ECJ0EC1H020C	2P	
C857	ECJ0EB0J105K	1	
C865	ECUE1A333KBQ	0.033	S
C871	FIG1HR10A561	0.1P	
C873	ECJ0EC1H020C	2P	
C874	ECJ0EB0J105K	1	
C881	ECJ0EC1H010C	1P	
C891	ECJ0EC1H010C	1P	
		(OTHERS)	
BZ1	L0CBAB000052	MICROPHONE	
E1	PQMC10492Z	MAGNETIC SHIELD, FRAME	
E2	PQMC10491Z	MAGNETIC SHIELD, COVER	
P101	PFRT002	THERMISTOR (POSISTOR)	S
X501	H0J138500003	CRYSTAL OSCILLATOR	

16.5.1.3. Operational P.C. Board Parts

Ref. No.	Part No.	Part Name & Description	Remarks
PCB2	PQWP2TG5771H	OPERATIONAL P.C.BOARD ASS'Y (RTL)	
		(DIODES)	
LED902	LNJ326W83RA	LED	
LED904	LNJ826W83RA	LED	
LED905	LNJ826W83RA	LED	
LED907	LNJ826W83RA	LED	
		(CONNECTOR)	
CN901	K1MY32BA0026	CONNECTOR	
		(OTHERS)	
E3	L5DCBCB00016	LIQUID CRYSTAL DISPLAY	
E4	PQHS10327Z	TAPE, LCD	
E5	PQHR11211Z	GUIDE, LCD	PS-HB
E6	PQJE10172X	LEAD WIRE, FFC	

16.5.2. Handset

16.5.2.1. Cabinet and Electrical Parts

Ref. No.	Part No.	Part Name & Description	Remarks
101	PQGP10305Z1	PANEL, LCD	AS-HB
102	PQHS10725Z	TAPE, DOUBLE SIDED	
103	PQKM10716Z1	CABINET BODY	ABS-HB
104	PQHS10658Z	SPACER, RECEIVER	
105	L0AD02A00035	RECEIVER	
106	PQHR11197Z	GUIDE, RECEIVER	ABS-HB
107	PQHR11196Z	OPTIC CONDUCTIVE PARTS, LED LENS	PS-HB
108	PQHS10726Z	SPACER, CUSHION LCD	
109	PQBX10390Z1	BUTTON, 12KEY	PMMA-HB
110	PQX10319Z	KEYBOARD SWITCH	
111	L5DZDY000002	LIQUID CRYSTAL DISPLAY	
112	PQBC10470Z1	BUTTON, CURSOR	ABS-HB
113	PQWE10044Z	BATTERY TERMINAL	ABS-HB
114	PQJT10239Z	CHARGE TERMINAL (L)	
115	PQJT10240Z	CHARGE TERMINAL (R)	
116	PQHR11198Z	GUIDE, SP HOLDER	ABS-HB
117	PQHG10729Z	RUBBER PARTS, SPEAKER	
118	L0AD02A00026	SPEAKER	
119	PQKE10439Z1	COVER, E/P CAP	
120	PQMC10496Z	MAGNETIC SHIELD, ANTENNA	
121	PQKF10705Z1	CABINET COVER	ABS-HB
122	PQGT19057Z	NAME PLATE	
123	HHR-P105	BATTERY	
124	PQHG10734Z	SPACER, BATTERY	
125	PQKK10594Z1	LID, BATTERY COVER	ABS-HB
126	PQYNTG5771SR	LID, BATTERY COVER ASS'Y	ABS-HB

16.5.2.2. Main P.C. Board Parts

Note:

- (*1) When you have replaced IC201 or IC241, adjust X201. Refer to **Check and Adjust X201 (Handset) Frequency (P.85)** and **Adjust Battery Low Detector Voltage (Handset) (P.85)**.
- (*2) When replacing IC701, IC801, or IC851, refer to **How to Replace the LLP (Leadless Leadframe Package) IC (P.79)**.

Ref. No.	Part No.	Part Name & Description	Remarks
PCB100	PQWPTG5776SR	MAIN P.C.BOARD ASS'Y (RTL) (ICs)	
IC201	C2HBBY000047	IC (*1)	
IC241	PQWI1TG5776R	IC (*1)	
IC246	PQWI2TG5776R	IC	
IC261	C0DBZHC00039	IC	
IC291	C0CBCBC00076	IC	
IC371	C0EBY0000115	IC	
IC373	C0DBAYY00067	IC	
IC374	C0EBD0000355	IC	
IC701	C1CB00001657	IC (*2)	
IC761	C0CBAAC00083	IC	
IC801	C1CB00001682	IC (*2)	
IC841	C0CBCAC00253	IC	
IC851	C1CB00002281	IC (*2)	
		(TRANSISTORS)	
Q231	UN521	TRANSISTOR (SI)	S
Q243	PQVTDTC114TU	TRANSISTOR (SI)	S
Q251	PQVTDTC123JU	TRANSISTOR (SI)	S
Q261	PSVTUMG11NTR	TRANSISTOR (SI)	S
Q262	PSVTUMG11NTR	TRANSISTOR (SI)	S
Q291	PSVTUMG11NTR	TRANSISTOR (SI)	S
Q331	PQVTDTC143E	TRANSISTOR (SI)	S
Q361	2SB1197KQ	TRANSISTOR (SI)	S
Q362	2SD1819A	TRANSISTOR (SI)	
Q363	PQVTDTC144TU	TRANSISTOR (SI)	S
Q371	UN521	TRANSISTOR (SI)	S
Q372	2SB1197KQ	TRANSISTOR (SI)	S
Q373	PQVTFP151A13	TRANSISTOR (SI)	S
		(DIODES)	
D312	MA8047	DIODE (SI)	S
D313	MA8047	DIODE (SI)	S
D323	MA8047	DIODE (SI)	S
D324	MA8047	DIODE (SI)	S
D326	MA8047	DIODE (SI)	S
D327	MA8047	DIODE (SI)	S
D361	MA2ZD0200L	DIODE (SI)	
D363	B0BC5R400010	DIODE (SI)	
D373	MA21D3400L	DIODE (SI)	
LED251	B3ACB0000115	LED	
LED252	B3ACB0000115	LED	
LED253	B3ACB0000115	LED	
LED254	B3ACB0000115	LED	
LED261	B3AZB0000033	LED	
		(COILS)	
L326	G1CR47J00005	COIL	
L327	G1CR47J00005	COIL	
L331	PQLQR2KB113T	COIL	S
L332	PQLQR2KB113T	COIL	S
L334	PQLQR2KB113T	COIL	S
L373	G1C100MA0176	COIL	
L711	MQLRF18NJFB	COIL	
L782	G1C1R0KA0096	COIL	
L871	MQLRF3N3DFB	COIL	
C723	MQLRF2N7DFB	COIL	
		(CONNECTORS AND JACK)	
CN271	K1MY30BA0112	CONNECTOR	
CN291	K1FA105E0003	CONNECTOR	
CN331	K2HD103D0001	JACK	
		(LCR FILTERS)	
FL811	JOE5797B0001	LCR FILTER	

Ref. No.	Part No.	Part Name & Description	Remarks
FL821	KNCFH165R8Z1	LCR FILTER	
FL881	JOE5797B0002	LCR FILTER	
		(COMPONENTS PARTS)	
RA201	D1H84724A013	RESISTOR ARRAY	S
RA251	D1H83314A013	RESISTOR ARRAY	S
		(RESISTORS)	
R208	ERJ3GEYJ100	10	
R209	ERJ2GEJ104	100K	
R225	ERJ2GEJ102	1K	
R226	ERJ2GEJ223	22K	
R227	ERJ2GEJ104	100K	
R231	ERJ2GEJ223	22K	
R234	ERJ2GEJ103	10K	
R241	ERJ2GEJ103	10K	
R242	ERJ2GEJ102	1K	
R243	ERJ2GEJ274	270K	
R247	ERJ2GEJ332	3.3K	
R261	ERJ2GEJ221	220	
R262	ERJ2GEJ221	220	
R263	ERJ2GEJ221	220	
R271	ERJ2GEJ104	100K	
R272	ERJ2GEJ104	100K	
R273	ERJ2GE0R00	0	
R274	ERJ2GEJ104	100K	
R286	ERJ3GEYJ100	10	
R291	ERJ3GEYJ220	22	
R292	ERJ3GEYJ220	22	
R293	ERJ2GEJ104	100K	
R294	ERJ2GEJ154	150K	
R295	ERJ2GEJ152	1.5K	
R296	ERJ2GEJ152	1.5K	
R297	ERJ2GEJ154	150K	
R298	ERJ2GEJ105X	1M	
R299	ERJ2GEJ105X	1M	
R312	ERJ2GEJ222	2.2K	
R314	ERJ2GEJ222	2.2K	
R315	ERJ2GEJ222	2.2K	
R317	ERJ2GEJ101	100	
R318	ERJ2GEJ222	2.2K	
R323	ERJ2GEJ220	22	
R324	ERJ2GEJ220	22	
R331	ERJ2GEJ103	10K	
R333	ERJ2GEJ102	1K	
R334	ERJ2GEJ222	2.2K	
R361	ERJ2GEJ473	47K	
R362	ERJ2GEJ102	1K	
R363	ERJ2GEJ473	47K	
R366	ERJ3GEYJ102	1K	
R370	ERJ8GEYJ1R2	1.2	
R371	ERJ2GEJ473	47K	
R372	ERJ2GEJ102	1K	
R373	ERJ2GE0R00	0	
R374	ERJ2GEJ224	220K	
R375	ERJ2GEJ224	220K	
R376	ERJ2GEJ105X	1M	
R377	ERJ2GEJ225	2.2M	
R378	ERJ2GEJ105X	1M	
R379	ERJ2GEJ225	2.2M	
R701	ERJ2RKF103X	10K	
R732	ERJ2GEJ100	10	
R733	ERJ2GEJ100	10	
R735	ERJ2GEJ4R7	4.7	
R742	ERJ2GEJ331	330	
R744	ERJ2GEJ102	1K	
R747	ERJ2GEJ102	1K	
R751	ERJ2GEJ102	1K	
R752	ERJ2GEJ102	1K	
R809	ERJ2GEJ102	1K	
R813	ERJ2GE0R00	0	
R822	ERJ2GEJ271	270	
R823	ERJ2GEJ180	18	
R824	ERJ2GEJ271	270	
R832	ERJ2GEJ562X	5.6K	

Ref. No.	Part No.	Part Name & Description	Remarks
R834	ERJ2GEJ332	3.3K	
R864	ERJ2GEJ102	1K	
R865	ERJ2GEJ391	390	
		(CAPACITORS)	
C201	ECJ0EC1H060D	6P	
C202	ECJ0EC1H060D	6P	
C204	ECJ0EB1A104K	0.1	
C206	ECJ0EB1A104K	0.1	
C208	PQCUV0J106KB	10	
C211	ECJ0EB1C103K	0.01	
C212	ECJ0EB1C103K	0.01	
C214	PQCUV0J106KB	10	
C215	ECJ0EB1A104K	0.1	
C225	ECJ0EB1A104K	0.1	
C226	ECJ0EB1A104K	0.1	
C231	ECJ0EB1A104K	0.1	
C241	ECJ0EB1A104K	0.1	
C242	ECJ0EC1H101J	100P	
C246	ECJ0EB1A104K	0.1	
C261	ECUV1A105KEV	1	
C262	PQCUV0J106KB	10	
C263	PQCUV0J106KB	10	
C265	ECJ0EB1H102K	0.001	
C286	ECJ0EB1C103K	0.01	
C291	ECJ0EB1A104K	0.1	
C292	ECJ0EB1A104K	0.1	
C303	ECJ0EB0J105K	1	
C305	ECJ0EB1C103K	0.01	
C306	ECJ0EB1A104K	0.1	
C314	ECJ0EB1C183K	0.018	
C315	ECJ0EB1C183K	0.018	
C316	ECJ0EB1H332K	0.0033	
C317	ECST0JY226	22	
C321	FIH0J335A005	3.3	
C333	ECJ0EB1A104K	0.1	
C335	ECST0JY226	22	
C340	ECJ0EB1A104K	0.1	
C353	ECUV1H103KEV	0.01	
C361	EEEFK0J331P	330	
C371	ECUV1A105KEV	1	
C372	ECUV1A105KEV	1	
C373	EEEFK0J331P	330	
C374	ECJ0EB1A104K	0.1	
C376	ECUV1A105KEV	1	
C377	ECJ0EB1A104K	0.1	
C379	ECJ0EB1A104K	0.1	
C381	EEE0JA101SP	100	
C386	ECJ0EB1A104K	0.1	
C701	PQCUV0J475MB	4.7	
C702	ECJ0EB1A104K	0.1	
C704	ECJ0EB1H102K	0.001	
C705	ECJ0EC1H100D	10P	
C706	ECJ0EB1C103K	0.01	
C707	ECJ0EB1H102K	0.001	
C708	ECJ0EC1H1R5C	1.5P	
C711	ECJ0EC1H010C	1P	
C712	ECJ0EC1H020C	2P	
C713	ECJ0EC1H100D	10P	
C714	ECJ0EB1H102K	0.001	
C715	ECJ0EC1H050C	5P	
C716	ECJ0EC1H020C	2P	
C722	ECJ0EC1H020C	2P	
C725	ECJ0EC1H050C	5P	
C731	ECJ0EB1C103K	0.01	
C732	ECJ0EB1H102K	0.001	
C733	ECJ0EB1H102K	0.001	
C734	ECJ0EB1H102K	0.001	
C735	ECJ0EB1A104K	0.1	
C737	ECJ0EB1H102K	0.001	
C741	ECJ0EB1H222K	0.0022	
C742	ECJ0EB1C103K	0.01	
C743	ECJ0EC1H221J	220P	
C745	ECJ0EC1H101J	100P	

Ref. No.	Part No.	Part Name & Description	Remarks
C746	ECJ0EC1H101J	100P	
C747	ECJ0EC1H100D	10P	
C748	ECJ0EC1H101J	100P	
C749	ECJ0EC1H101J	100P	
C750	ECJ0EC1H101J	100P	
C751	ECJ0EC1H100D	10P	
C752	ECJ0EB1H471K	470P	
C763	ECUV1A474KBV	0.47	
C764	ECJ0EC1H020C	2P	
C773	ECJ0EC1H101J	100P	
C781	ECJ0EB1A104K	0.1	
C782	ECJ0EC1H121J	120P	
C801	ECJ0EC1H030C	3P	
C802	ECJ0EC1H220J	22P	
C803	ECJ0EB1C103K	0.01	
C804	ECJ0EC1H150J	15P	
C806	ECJ0EC1H100D	10P	
C809	ECJ0EB1C223K	0.022	
C811	ECJ0EC1H020C	2P	
C821	ECJ0EC1H100D	10P	
C824	ECJ0EC1H100D	10P	
C832	ECJ0EC1H221J	220P	
C833	ECJ0EC1H101J	100P	
C834	ECJ0EB1C103K	0.01	
C835	ECJ0EB1H471K	470P	
C836	ECUV1A105KEV	1	
C837	ECJ0EC1H101J	100P	
C842	ECUV1A105KEV	1	
C843	ECUV1A474KBV	0.47	
C844	ECJ0EC1H020C	2P	
C856	ECJ0EC1H020C	2P	
C857	ECJ0EB0J105K	1	
C858	ECJ0EC1H0R5C	0.5P	
C859	ECJ0EC1H0R5C	0.5P	
C864	FI1E562A086	0.0056	
C865	ECUE1A333KBQ	0.033	S
C871	FI1HR10A561	0.1P	
C873	ECJ0EC1H020C	2P	
C874	ECJ0EB0J105K	1	
C881	ECJ0EC1H050C	5P	
C891	ECJ0EC1H050C	5P	
		(OTHERS)	
MIC	L0CBAB000052	MICROPHONE	
E101	PQMC10492Z	MAGNETIC SHIELD, FRAME	
E102	PQMC10491Z	MAGNETIC SHIELD, COVER	
S251	K0C115A00006	SEESAW SWITCH	
X201	H0J138500003	CRYSTAL OSCILLATOR	

16.5.3. Charger Unit

16.5.3.1. Cabinet and Electrical Parts

Ref. No.	Part No.	Part Name & Description	Remarks
200	PQLV30043ZS	CHARGER UNIT	
200-1	PQKM10721Z1	CABINET BODY	PS-HB
200-2	PQGG10410Z1	GRILLE, CRADLE	ABS-HB
200-3	PQKE10436Y1	CASE, CHARGE TERMINAL	PS-HB
200-4	PQKE10437Z1	HOLDER, CHARGE TERMINAL (L)	POM-HB
200-5	PQKE10438Z1	HOLDER, CHARGE TERMINAL (R)	POM-HB
200-6	PQJT10241Z	CHARGE TERMINAL (L)	
200-7	PQJT10242Z	CHARGE TERMINAL (R)	
200-8	PQKF10709Y1	CABINET COVER	ABS-HB
200-9	PQHA10023Z	RUBBER PARTS, FOOT CUSHION	
200-10	PQGT19061Z	NAME PLATE	
200-11	PQXDZLDRS1	LABEL, SECURITY	

16.5.3.2. Main P.C. Board Parts

Ref. No.	Part No.	Part Name & Description	Remarks
PCB200	PQWPTGA570CH	MAIN P.C. BOARD ASS'Y (RTL)	

Ref. No.	Part No.	Part Name & Description	Remarks
		(RESISTORS)	
R1	ERJ1TYJ560	56	
R2	ERJ1TYJ560	56	
R3	ERJ1TYJ560	56	
		(OTHERS)	
CN1	K2ECYB000001	JACK	

16.5.4. Accessories and Packing Materials

Note:

(*1) You can download and refer to the Operating Instructions (Instruction book) on TSN Server.

16.5.4.1. KX-TG5776S

Ref. No.	Part No.	Part Name & Description	Remarks
A1	PQLV207Z	AC ADAPTOR	△
A2	PQJA10075Z	CORD, TELEPHONE	
A3	PQJA10165Z	CORD, AUDIO CABLE	△
A4	PQJA10166Z	CORD, USB CABLE	
A5	PQQX14980Z	INSTRUCTION BOOK (*1)	
A6	PQQW15055Z	QUICK GUIDE (for English)	
A7	PQQW15056Z	QUICK GUIDE (for Spanish)	
A8	PQQW15135Z	LEAFLET, PC	
A9	PQQW15384Z	LEAFLET, OPTION MODELS	
A10	PQQW15403Z	LEAFLET, Skype	
A11	PQQV10308Z	CARD, CCP	
A12	PQJKTG5776Z	MEMORY PARTS, CD-RWITHDATA	
A13	PQKE10457Z1	HANGER, BELT CLIP (for Service)	PC+ABS-HB
A14	PQKL10078Z1	STAND, WALL MOUNT (for Service)	ABS-HB
P1	XZB21X35A03	PROTECTION COVER (for Base Unit)	
P2	XZB10X35A02	PROTECTION COVER (for Handset)	
P3	PQPD10716Z	CUSHION	
P4	PQPK15036Z	GIFT BOX	
P5	PQXDDS400-8	PHOTO ELECTRIC TRANSDUCER, SECURITY TAG	

16.5.4.2. KX-TG5777S

Ref. No.	Part No.	Part Name & Description	Remarks
A101	PQLV207Z	AC ADAPTOR	△
A102	PQJA10075Z	CORD, TELEPHONE	
A103	PQJA10165Z	CORD, AUDIO CABLE	△
A104	PQJA10166Z	CORD, USB CABLE	
A105	PQQX14980Z	INSTRUCTION BOOK (*1)	
A106	PQQW15055Z	QUICK GUIDE (for English)	
A107	PQQW15056Z	QUICK GUIDE (for Spanish)	
A108	PQQW15135Z	LEAFLET, PC	
A109	PQQW15384Z	LEAFLET, OPTION MODELS	
A110	PQQW15403Z	LEAFLET, Skype	
A111	PQQV10308Z	CARD, CCP	
A112	PQJKTG5776Z	MEMORY PARTS, CD-RWITHDATA	
A113	PQKE10457Z1	HANGER, BELT CLIP (for Service)	PC+ABS-HB
A114	PQKL10078Z1	STAND, WALL MOUNT (for Service)	ABS-HB

16.5.4.3. KX-TGA571S

Ref. No.	Part No.	Part Name & Description	Remarks
A201	PQLV207Z	AC ADAPTOR	△
A202	PQJA10166Z	CORD, USB CABLE	
A203	PQQX15022Z	INSTRUCTION BOOK (*1)	
A204	PQQW12560Z	LEAFLET	
A205	PQQW15135Z	LEAFLET, PC	
A206	PQJKTG5776Z	MEMORY PARTS, CD-RWITHDATA	

Ref. No.	Part No.	Part Name & Description	Remarks
A207	PQKE10457Z1	HANGER, BELT CLIP (for Service)	PC+ABS-HB
P201	XZB15X25A04	PROTECTION COVER (for Charger Unit)	
P202	XZB10X35A02	PROTECTION COVER (for Handset)	
P203	PQPK15277Y	GIFT BOX	
P204	PQXDDS400-8	PHOTO ELECTRIC TRANSDUCER, SECURITY TAG	