

Service Manual

Telephone Equipment

Model No. **KX-TG3721BX3**
KX-TG3721BX4
KX-TG3722BX3
KX-TG3722BX4
KX-TGA371BX3
KX-TGA371BX4

Supplement-1

2.4 GHz Digital Cordless Answering System

3: Black Version

4: Platinum Silver Version

(for UAE, Kuwait and Qatar)

Subject : Adding KX-TG3721BX3, KX-TG3721BX4, KX-TG3722BX3, KX-TG3722BX4, KX-TGA371BX3, KX-TGA371BX4 to the KX-TG3721BX Series.

Note: All other information is the same as KX-TG3721BXB Service Manual (Order No. KM41108487CE). You can download and refer the Service Manual on TSN Server.

Please file and use this supplement manual together with the service manual for Model No.KX-TG3721BXB/KX-TG3721BXN/KX-TG3722BXB/KX-TG3722BXN/KX-TGA371BXB/KX-TGA371BXN, KM41108487CE .

WARNING

This service information is designed for experienced repair technicians only and is not designed for use by the general public. It does not contain warnings or cautions to advise non-technical individuals of potential dangers in attempting to service a product. Products powered by electricity should be serviced or repaired only by experienced professional technicians. Any attempt to service or repair the product or products dealt with in this service information by anyone else could result in serious injury or death.

TABLE OF CONTENTS

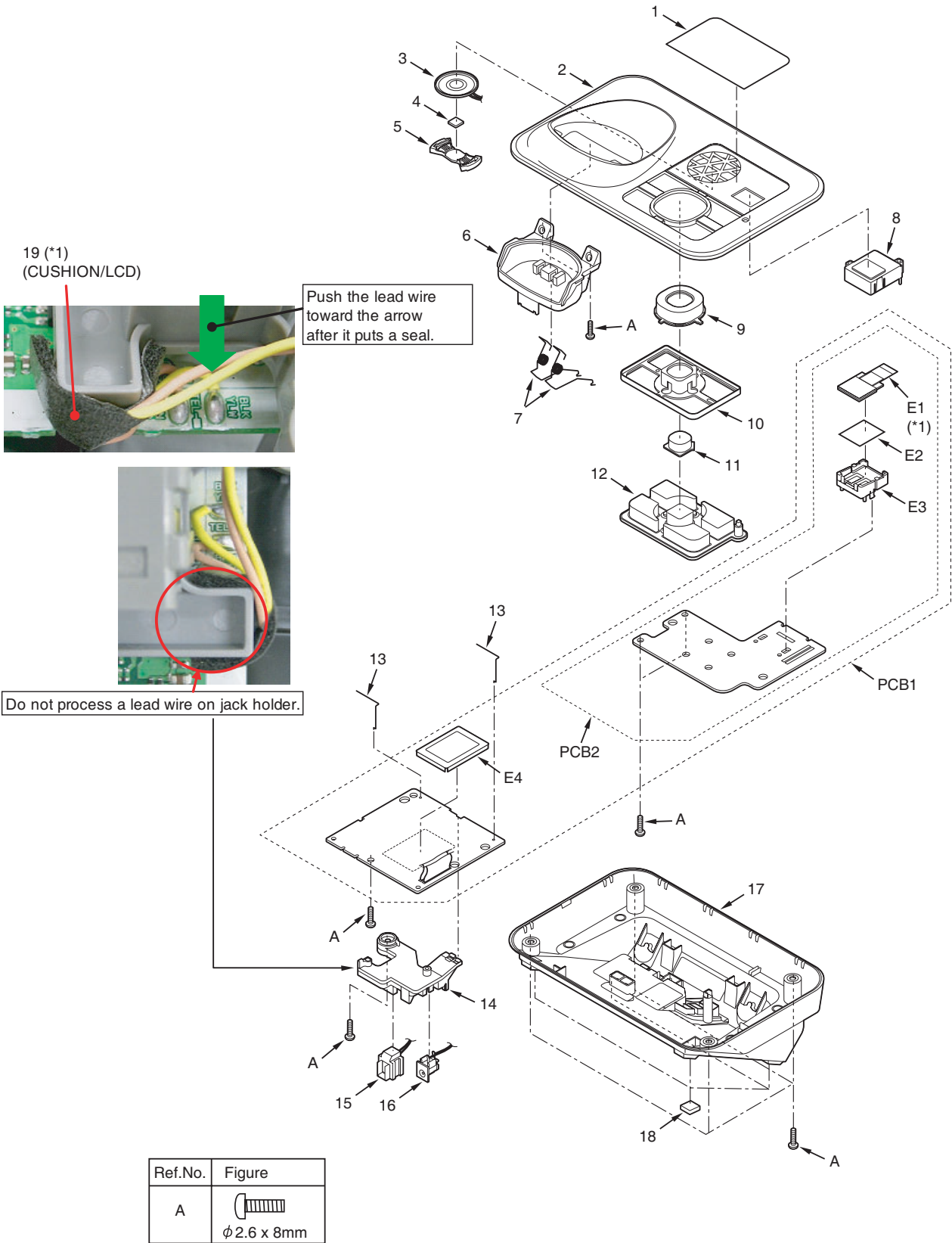
	PAGE
1 Exploded View and Replacement Parts List -----	2
1.1. Cabinet and Electrical Parts (Base Unit) -----	2
1.2. Cabinet and Electrical Parts (Handset) -----	3
1.3. Cabinet and Electrical Parts (Charger Unit) -----	4
1.4. Accessories -----	5
1.5. Replacement Parts List -----	6

Panasonic[®]

© Panasonic System Networks Co., Ltd. 2011
 Unauthorized copying and distribution is a violation of law.

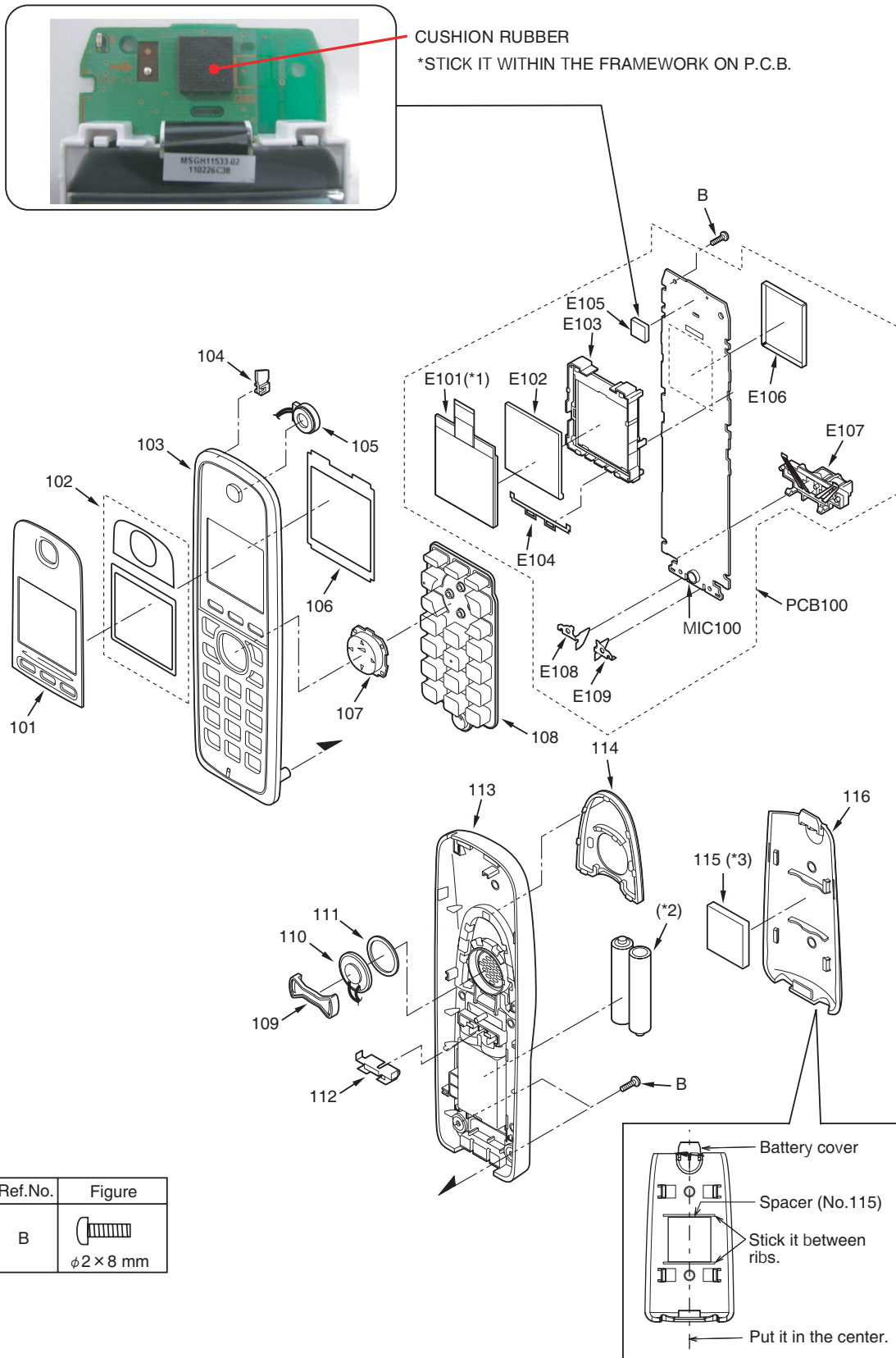
1 Exploded View and Replacement Parts List

1.1. Cabinet and Electrical Parts (Base Unit)



Note:
(*1) This cable is fixed by welding.

1.2. Cabinet and Electrical Parts (Handset)



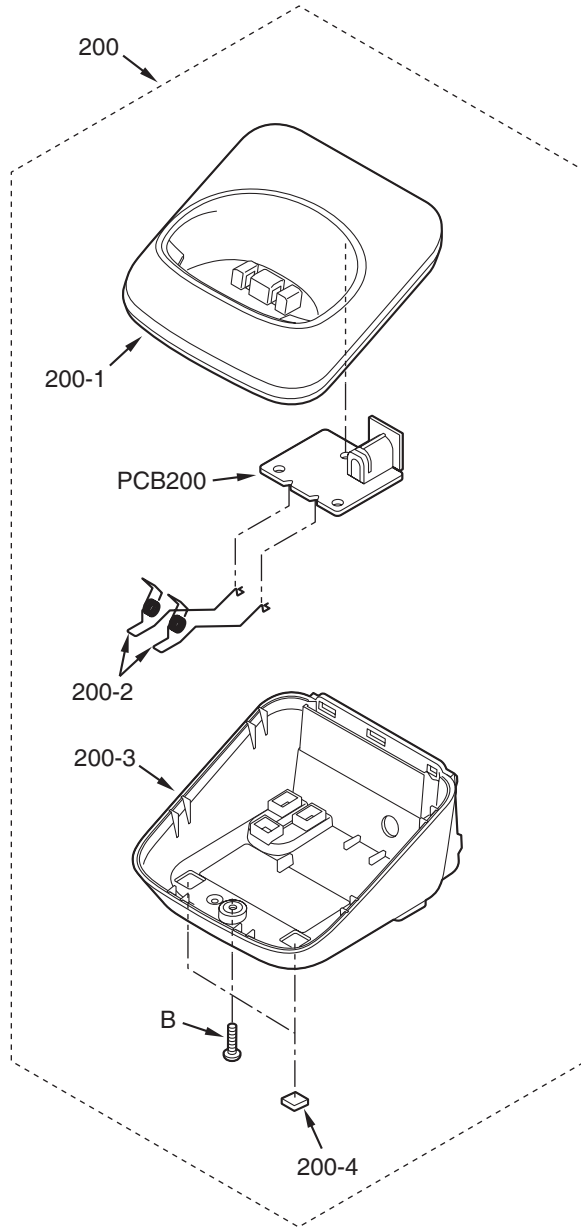
Note:

(*1) This cable is fixed by welding.

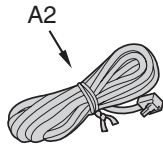
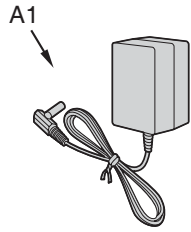
(*2) The rechargeable Ni-MH battery HHR-4MRT is available through sales route of Panasonic.

(*3) Attach the SPACER (No. 115) to the exact location described above.

1.3. Cabinet and Electrical Parts (Charger Unit)



1.4. Accessories



1.5. Replacement Parts List

1. RTL (Retention Time Limited)

Note:

The "RTL" marking indicates that its Retention Time is Limited.

When production is discontinued, this item will continue to be available only for a specific period of time.

This period of time depends on the type of item, and the local laws governing parts and product retention. At the end of this period, the item will no longer be available.

2. Important safety notice

Components identified by the Δ mark indicates special characteristics important for safety. When replacing any of these components, only use specified manufacture's parts.

3. The S mark means the part is one of some identical parts.

For that reason, it may be different from the installed part.

4. ISO code (Example: ABS-94HB) of the remarks column shows quality of the material and a flame resisting grade about plastics.

5. RESISTORS & CAPACITORS

Unless otherwise specified;

All resistors are in ohms (Ω) k=1000 Ω , M=1000k Ω

All capacitors are in MICRO FARADS (μ F) p= μ μ F

*Type & Wattage of Resistor

Type

ERC:Solid ERDS:Carbon ERJ:Chip	ERX:Metal Film ERG:Metal Oxide ERO:Metal Film	PQ4R:Chip ERS:Fusible Resistor ERF:Cement Resistor
--------------------------------------	---	--

Wattage

10,16:1/8W	14,25:1/4W	12:1/2W	1:1W	2:2W	3:3W
------------	------------	---------	------	------	------

*Type & Voltage Of Capacitor

Type

ECFD:Semi-Conductor ECQS:Styrol ECUV,PQCUV,ECUE:Chip ECQMS:Mica	ECCD,ECKD,ECBT,F1K,ECUV: Ceramic ECQE,ECQV,ECQG: Polyester ECEA,ECST,EEE: Electlytic ECQP: Polypropylene
--	---

Voltage

ECQ Type	ECQG ECQV Type	ECSZ Type	Others		
1H:50V 2A:100V 2E:250V 2H:500V	05:50V 1:100V 2:200V	0F:3.15V 1A:10V 1V:35V 0J:6.3V	0J :6.3V 1A :10V 1C :16V 1E,25:25V	1V :35V 50,1H:50V 1J :16V 2A :100V	

1.5.1. Base Unit

1.5.1.1. Cabinet and Electrical Parts

Safety	Ref. No.	Part No.	Part Name & Description	Remarks
	1	PNGS1003R	NET, MESH SHEET (for KX-TG3721BX3) (for KX-TG3722BX3)	PC-VO
	1	PNGS1003P	NET, MESH SHEET (for KX-TG3721BX4) (for KX-TG3722BX4)	PC-VO
	2	PNKM1190N1	CABINET BODY (for KX-TG3721BX3) (for KX-TG3722BX3)	PS-HB
	2	PNKM1190M3	CABINET BODY (for KX-TG3721BX4) (for KX-TG3722BX4)	PS-HB
	3	L0AA02A00087	SPEAKER	
	4	PQHG10729Z	RUBBER PARTS, SPEAKER	

Safety	Ref. No.	Part No.	Part Name & Description	Remarks
	5	PQHR11313Z	GUIDE, SPEAKER	ABS-HB
	6	PNKE1090Z1	CASE, CHARGE TERMINAL (for KX-TG3721BX3) (for KX-TG3722BX3)	PS-HB
	6	PNKE1090Z3	CASE, CHARGE TERMINAL (for KX-TG3721BX4) (for KX-TG3722BX4)	PS-HB
	7	PNJT1064Z	CHARGE TERMINAL	
	8	PNGP1135Z1	PANEL, LCD	PMMA-HB
	9	PNBC1353Z1	BUTTON, NAVIGATOR KEY (for KX-TG3721BX3) (for KX-TG3722BX3)	ABS-HB
	9	PNBC1353Y3	BUTTON, NAVIGATOR KEY (for KX-TG3721BX4) (for KX-TG3722BX4)	ABS-HB
	10	PNHR1385Z	GUIDE, BUTTON	PS-HB
	11	PNBC1345Z1	BUTTON, MESSAGE (for KX-TG3721BX3) (for KX-TG3722BX3)	PS-HB
	11	PNBC1345Z4	BUTTON, MESSAGE (for KX-TG3721BX4) (for KX-TG3722BX4)	PS-HB
	12	PNJK1103Z	KEYBOARD SWITCH (for KX-TG3721BX3) (for KX-TG3722BX3)	
	12	PNJK1103W	KEYBOARD SWITCH (for KX-TG3721BX4) (for KX-TG3722BX4)	
	13	PNLA1083Z	ANTENNA	
	14	PNHR1387Z	GUIDE, JACK	PS-HB
	15	PQJJ1T039M	JACK, MODULAR	
	16	K2ECYZ000001	JACK, DC	
	17	PNKF1132Y1	CABINET COVER (for KX-TG3721BX3) (for KX-TG3722BX3)	PS-HB
	17	PNKF1132Y2	CABINET COVER (for KX-TG3721BX4) (for KX-TG3722BX4)	PS-HB
	18	PQHA10023Z	RUBBER PARTS, FOOT CUSHION	
	19	PNYE1029Z	SPACER, CUSHION LCD	

1.5.1.2. Main P.C. Board Parts

Note:

(*1) When replacing IC502, IC601, IC611 or X501, make the adjustment using PNZZTG3721BX.

(*2) When removing E4, use special tools (ex. Hot air disordering tool).

Safety	Ref. No.	Part No.	Part Name & Description	Remarks
		PCB1	PNWP13721BXH MAIN P.C.BOARD ASS'Y (RTL)	
			(ICs)	
		IC302	C0DBEY000102	IC
		IC351	C0EBE0000124	IC
		IC501	C1CB00003545	IC
		IC502	C3FBLY000125	IC (FLASH)
		IC601	C3FBLY000124	IC (FLASH) (*1)
		IC611	PNWIG3411BXH	IC (EEPROM) (*1)
			(TRANSISTORS)	
		Q141	B1ACGP000008	TRANSISTOR (SI)
		Q142	B1ABDM000001	TRANSISTOR (SI)
		Q161	DSC7003S0L	TRANSISTOR (SI)
		Q301	B1ADGE000012	TRANSISTOR (SI)
		Q302	B1ADGE000012	TRANSISTOR (SI)
		Q351	B1ADNB000003	TRANSISTOR (SI)
		Q352	B1ABDF000017	TRANSISTOR (SI)
		Q354	B1GBCFY00010	TRANSISTOR (SI)
		Q361	B1ABDF000017	TRANSISTOR (SI)
		Q362	B1GBCFY00020	TRANSISTOR (SI)
		Q363	B1ABDF000017	TRANSISTOR (SI)
		Q601	B1ABDF000017	TRANSISTOR (SI)
		Q653	PSVTUMG11NTR	TRANSISTOR (SI)
			(DIODES)	
		D101	PQVDM5S	DIODE (SI)

Safety	Ref. No.	Part No.	Part Name & Description	Remarks
	D133	1SS355	DIODE (SI)	S
	D142	PQVDPFZT2530	DIODE (SI)	S
	D362	B0ECKM000008	DIODE (SI)	
	D801	B0DCCD000013	DIODE (SI)	
	D802	B0DCCD000013	DIODE (SI)	
	D803	B0DCCD000013	DIODE (SI)	
	D804	B0DCCD000013	DIODE (SI)	
			(COILS)	
	L101	PQLQXF330K	COIL	S
	L102	PQLQXF330K	COIL	S
	L351	PQLQR2KA113	COIL	S
	L802	G1C4N7Z00006	COIL	
	L803	G1C4N7Z00006	COIL	
	L804	G1C4N7Z00006	COIL	
	L805	G1C1N5Z00007	COIL	
	L806	G1C1N5Z00007	COIL	
	L807	PQLQR4C15NJ	COIL	S
			(RESISTOR ARRAYS)	
	RA501	D1H422120001	RESISTOR ARRAY	
	RA651	D1H810240004	RESISTOR ARRAY	S
	RA652	D1H810240004	RESISTOR ARRAY	S
	RA653	D1H810240004	RESISTOR ARRAY	S
			(VARISTOR)	
	SA101	JOLF00000048	VARISTOR (SURGE ABSORBER)	
			(RESISTORS)	
	R101	PQ4R10XJ475	4.7M	S
	R102	PQ4R10XJ475	4.7M	S
	R103	PQ4R10XJ184	180k	S
	R104	PQ4R10XJ184	180k	S
	R105	PQ4R10XJ105	1M	S
	R106	PQ4R10XJ105	1M	S
	R107	ERJ2GEJ102	1k	S
	R108	ERJ2GEJ102	1k	S
	R109	ERJ2GEJ823	82k	S
	R110	ERJ2GEJ823	82k	S
	R111	ERJ2GEJ392	3.9k	S
	R112	ERJ2GEJ124	120k	S
	R121	ERJ2GEJ102	1k	S
	R122	ERJ2GEJ102	1k	S
	R123	ERJ2GEJ102	1k	S
	R125	ERJ2GEJ271	270	S
	R131	PQ4R18XJ106	10M	S
	R132	ERJ3GEYJ205	2M	S
	R133	ERJ3GEYJ184	180k	S
	R141	ERJ3GEYJ104	100k	S
	R142	PQ4R18XJ272	2.7k	S
	R145	ERJ2GEJ222	2.2k	S
	R151	ERJ2GEJ104	100k	S
	R152	ERJ2GEJ474X	470k	S
	R160	ERJ3GEYJ911	910	S
	R161	ERJ3GEYJ104	100k	S
	R162	ERJ3GEYJ273	27k	S
	R163	ERJ12YJ120	12	
	R164	ERJ3GEYJ272	2.7k	S
	R165	ERJ3GEYJ273	27k	S
	R166	ERJ3GEYJ822	8.2k	S
	R167	ERJ12YJ270	27	
	R169	ERJ2GE0R00	0	S
	R170	ERJ2GE0R00	0	S
	R178	ERJ2GEJ332	3.3k	S
	R311	ERJ2GEJ103	10k	S
	R312	ERJ2GEJ103	10k	S
	R321	ERJ2RKF1400	140	
	R322	ERJ2RKF1000	100	
	R351	ERJ2GEJ392	3.9k	S
	R352	ERJ2GEJ563	56k	S
	R353	ERJ2GEJ103	10k	S
	R354	ERJ2GEJ103	10k	S
	R355	ERJ2GEJ681	680	S
	R358	ERJ2GEJ103	10k	S
	R359	ERJ2GEJ103	10k	S
	R360	ERJ2GEJ563	56k	S

Safety	Ref. No.	Part No.	Part Name & Description	Remarks
	R361	PQ4R10XJ680	68	S
	R362	PQ4R10XJ680	68	S
	R363	ERJ2GEJ222	2.2k	S
	R364	ERJ2GEJ103	10k	S
	R365	ERJ2GEJ473	47k	S
	R366	ERJ2GEJ103	10k	S
	R371	ERJ12YJ1R0	1	
	R372	ERJ12YJ1R0	1	
	R373	ERJ2GEJ182	1.8k	S
	R474	ERJ2GEJ1R0	1	S
	R475	ERJ2GEJ1R0	1	S
	R501	D0GA563ZA006	56k	
	R502	ERJ2GEJ332	3.3k	S
	R504	ERJ2GEJ103	10k	S
	R505	ERJ2GEJ102	1k	S
	R506	ERJ2GEJ101	100	S
	R507	ERJ2GEJ104	100k	S
	R508	ERJ2GEJ100	10	S
	R516	ERJ2GEJ473	47k	S
	R517	ERJ2GEJ473	47k	S
	R601	ERJ2GEJ332	3.3k	S
	R602	ERJ2GEJ561	560	S
	R603	ERJ2GEJ561	560	S
	R604	ERJ2GEJ561	560	S
	R605	ERJ2GEJ473	47k	S
	R606	ERJ2GEJ103	10k	S
	R607	ERJ2GEJ103	10k	S
	R611	ERJ2GEJ103	10k	S
	R612	ERJ2GEJ332	3.3k	S
	R613	ERJ2GEJ332	3.3k	S
	R665	ERJ2GEJ103	10k	S
	R668	ERJ2GEJ561	560	S
	R671	ERJ2GEJ473	47k	S
	R672	ERJ2GEJ473	47k	S
	R673	ERJ2GEJ473	47k	S
	R806	ERJ2GEJ221	220	S
	R807	ERJ2GEJ221	220	S
	R891	ERJ2GEJ221	220	S
	R892	ERJ2GEJ221	220	S
			(CAPACITORS)	
	C101	ECUV2H681KB	680p	S
	C102	ECUV2H681KB	680p	S
	C103	ECUV1C103KBV	0.01	
	C104	ECUV1C103KBV	0.01	
	C105	ECUV2H681KB	680p	S
	C106	ECUV2H681KB	680p	S
	C107	ECUV1C103KBV	0.01	
	C108	ECUV1C103KBV	0.01	
	C109	ECUE1H821KBQ	820p	
	C110	ECUE1H821KBQ	820p	
	C111	ECUE1A333KBQ	0.033	
	C112	ECUE1H100DCQ	10p	
	C113	ECUE1A823KBQ	0.082	
	C123	ECUE1H100DCQ	10p	
	C124	ECUE1H100DCQ	10p	
	C125	ECUE1H100DCQ	10p	
	C132	ECUV1C105KBV	1	
	C142	ECUV1H103KBV	0.01	
	C152	ECUE1C103KBQ	0.01	
	C161	EEE1HA100SP	10	
	C167	ECUV1H102KBV	0.001	
	C171	ECUV1C223KBV	0.022	
	C172	ECUE1H100DCQ	10p	
	C173	ECUE1A104KBQ	0.1	
	C184	ECUV1A105KBV	1	
	C301	ECUV1H101JCV	100p	
	C306	F2G1C1010034	100	
	C311	ECUV1C105KBV	1	
	C312	ECUV1C105KBV	1	
	C321	ECUV1A105KBV	1	
	C341	EEE0JA221WP	220	
	C342	ECUE1A104KBQ	0.1	
	C343	ECUE1H100DCQ	10p	

Safety	Ref. No.	Part No.	Part Name & Description	Remarks
	C344	F2G0J1020022	1000	
	C345	EEE0JA221WP	220	
	C351	ECUV1C105KBV	1	
	C353	ECUE1H330JQC	33p	
	C472	ECUE1H100DCQ	10p	
	C473	ECUE1H100DCQ	10p	
	C474	ECUE1H222KBQ	0.0022	
	C475	ECUE1H222KBQ	0.0022	
	C476	ECUE1H151JQC	150p	
	C477	ECUE1H100DCQ	10p	
	C478	ECUE1H100DCQ	10p	
	C479	ECUE1H151JQC	150p	
	C501	ECUE1A104KBQ	0.1	
	C502	ECUE0J105KBQ	1	
	C503	ECUE1H100DCQ	10p	
	C504	ECUE1A104KBQ	0.1	
	C505	ECUE1A104KBQ	0.1	
	C506	ECUV1A225KBV	2.2	
	C507	ECUV1A105KBV	1	
	C508	ECUV1A105KBV	1	
	C509	ECUV0J225KBV	2.2	
	C511	ECUV1A105KBV	1	
	C513	ECUE1A104KBQ	0.1	
	C516	ECUE1A104KBQ	0.1	
	C517	ECUE1A104KBQ	0.1	
	C518	ECUE1A104KBQ	0.1	
	C519	ECUE1A104KBQ	0.1	
	C523	F1G1H100A722	10p	
	C601	ECUE1A104KBQ	0.1	
	C603	ECUE1C103KBQ	0.01	
	C611	ECUE1A104KBQ	0.1	
	C661	ECUE1A104KBQ	0.1	
	C805	F1G1HR8A798	1.8p	
	C806	F1G1HR8A798	1.8p	
	C809	ECUE1H100DCQ	10p	S
	C810	F1G1HR60A798	0.6p	
	C811	ECUE1H100DCQ	10p	S
	C812	ECUE1H100DCQ	10p	S
	C813	F1G1HR60A798	0.6p	
	C820	F1G1H4R7A798	4.7p	
	C822	ECUE1H100DCQ	10p	S
	C825	ECUE1H100DCQ	10p	S
	C826	F1G1H100A722	10p	
	C827	F1G1H2R0A798	2p	
	C828	F1G1H2R0A798	2p	
	C851	ECUE1H100DCQ	10p	S
	C853	ECUE1H100DCQ	10p	S
	C855	ECUE1H100DCQ	10p	S
	C857	ECUE1H100DCQ	10p	S
	C859	ECUE1H100DCQ	10p	S
	C860	F1G1H3R3A798	3.3p	
	C861	F1G1H2R0A798	2p	
		(OTHERS)		
	E1	L5DYBY00021	LIQUID CRYSTAL DISPLAY	
	E2	PNHX1406Z	COVER, LCD	
	E3	PNHR1386Z	GUIDE, LCD	ABS-HB
	E4	PNMC1033Z	CASE, MAGNETIC SHIELD (*2)	
	P101	D4DAY220A022	THERMISTOR (POSISTOR)	
⚠	F301	K5H302Y00003	FUSE	
	X501	H0J103500037	CRYSTALOSCILLATOR (*1)	

1.5.1.3. Operational P.C.Board parts

Safety	Ref. No.	Part No.	Part Name & Description	Remarks
	PCB2	PNWP23721BXH	OPERATIONAL P.C.BOARD ASS'Y (RTL)	
			(LEDS)	
	LED901	LNJ237W82RA	LED	
	LED902	LNJ237W82RA	LED	
	LED905	LNJ237W82RA	LED	
	LED906	LNJ237W82RA	LED	

Safety	Ref. No.	Part No.	Part Name & Description	Remarks
	LED907	LNJ237W82RA	LED	
	LED908	LNJ237W82RA	LED	
			(RESISTORS)	
	R901	ERJ2GEJ181	180	S
	R902	ERJ2GEJ181	180	S
	R903	ERJ2GEJ181	180	S
	R904	ERJ2GEJ181	180	S
			(CAPACITORS)	
	C901	ECUV1C105KBV	1	
	C902	F1J1E105A197	1	
	C903	ECUV1C105KBV	1	

1.5.2. Handset

1.5.2.1. Cabinet and Electrical Parts

Safety	Ref. No.	Part No.	Part Name & Description	Remarks
	101	PNGP1137Z1	PANEL, LCD (for KX-TGA371BX3)	PMMA-HB
	101	PNGP1137Z3	PANEL, LCD (for KX-TGA371BX4)	PMMA-HB
	102	PNYE1041Z	TAPE, DOUBLESIDED	
	103	PNKM1191Z1	CABINET BODY (for KX-TGA371BX3)	ABS-HB
	103	PNKM1191U3	CABINET BODY (for KX-TGA371BX4)	ABS-HB
	104	PNHR1391Z	OPTIC CONDUCTIVE PARTS, LED LENS	PS-HB
	105	LOAD01A00024	RECEIVER	
	106	PNYE1029Z	SPACER, CUSHIONLCD	
	107	PNBC1354Z1	BUTTON, NAVIGATOR KEY (for KX-TGA371BX3)	ABS-HB
	107	PNBC1354Y3	BUTTON, NAVIGATOR KEY (for KX-TGA371BX4)	ABS-HB
	108	PNJK1113R	KEYBOARD SWITCH (for KX-TGA371BX3)	
	108	PNJK1113Q	KEYBOARD SWITCH (for KX-TGA371BX4)	
	109	PQHR11315Z	GUIDE, SPEAKER	ABS-HB
	110	L0AA02A00095	SPEAKER	
	111	PQHS10784Y	SPACER, SPEAKERNET	
	112	PNJC1018Z	BATTERY TERMINAL	
	113	PNKF1134Z1	CABINET COVER (for KX-TGA371BX3)	ABS-HB
	113	PNKF1134Z2	CABINET COVER (for KX-TGA371BX4)	ABS-HB
	114	PNKE1093Z1	COVER, RUBBER GRIP (for KX-TGA371BX3)	
	114	PNKE1093Z2	COVER, RUBBER GRIP (for KX-TGA371BX4)	
	115	PNHS1079Z	SPACER, BATTERY	
	116	PNKK1053Z1	LID, BATTERY (for KX-TGA371BX3)	ABS-HB
	116	PNKK1053Z2	LID, BATTERY (for KX-TGA371BX4)	ABS-HB

1.5.2.2. Main P.C. Board Parts

Note:

(*1) When replacing IC4, IC3 or X1, make the adjustment using PNZZTG3721BX.

(*2) When removing E106, use special tools (ex. Hot air disordering tool).

Safety	Ref. No.	Part No.	Part Name & Description	Remarks
	PCB100	PNWPGA371BXR	MAIN P.C. BOARD ASS'Y (RTL)	
			(ICs)	
	IC1	C1CB00003544	IC	
	IC3	PNWIGA381BXR	IC (EEPROM) (*1)	
	IC4	C3FBLY000125	IC (*1)	
			(TRANSISTORS)	
	Q2	B1ADGE000012	TRANSISTOR (SI)	

Safety	Ref. No.	Part No.	Part Name & Description	Remarks
	Q4	B1ABGE000011	TRANSISTOR (SI)	
	Q5	B1ADCF000040	TRANSISTOR (SI)	
	Q6	B1ADCF000040	TRANSISTOR (SI)	
	Q7	B1ABDF000017	TRANSISTOR (SI)	
	Q9	B1ABDF000017	TRANSISTOR (SI)	
	Q10	B1ADNB000003	TRANSISTOR (SI)	
	Q11	2SC6054JSL	TRANSISTOR (SI)	S
	Q12	B1ADCF000040	TRANSISTOR (SI)	
			(DIODES)	
	D1	B0JCMC000006	DIODE (SI)	
	D3	B0JCDD000001	DIODE (SI)	
	D13	B0BC4R3A0006	DIODE (SI)	S
	D14	B0BC4R3A0006	DIODE (SI)	S
	D21	B0BC4R3A0006	DIODE (SI)	S
	D22	B0BC4R3A0006	DIODE (SI)	S
	D801	B0DCCD000013	DIODE (SI)	
	D802	B0DCCD000013	DIODE (SI)	
			(LEDS)	
	LED1	B3ACB0000216	LED	
	LED2	B3ACB0000216	LED	
	LED3	B3ACB0000216	LED	
	LED4	B3ACB0000190	LED	
	LED5	B3ACB0000190	LED	
	LED6	B3ACB0000190	LED	
	LED7	B3ACB0000190	LED	
	LED8	B3ACB0000190	LED	
	LED9	B3ACB0000190	LED	
	LED12	B3ACB0000216	LED	
			(COILS)	
	L802	G1C4N7Z00006	COIL	
	L803	G1C4N7Z00006	COIL	
	L826	G1C4N7Z00006	COIL	
	L863	G1C1N5Z00007	COIL	
	L864	G1C1N5Z00007	COIL	
			(RESISTOR ARRAYS)	
	RA1	D1H810240004	RESISTOR ARRAY	S
	RA4	D1H433220001	RESISTOR ARRAY	
	RA30	D1H84714A013	RESISTOR ARRAY	S
	RA31	D1H447120002	RESISTOR ARRAY	
	RA32	EXB28V151JX	RESISTOR ARRAY	
	RA40	EXB28V103	RESISTOR ARRAY	
	RA61	D1H422120001	RESISTOR ARRAY	
			(IC FILTERS)	
	L9	J0JCC0000287	IC FILTER	
	L46	J0JDC0000045	IC FILTER	
	L47	J0JDC0000045	IC FILTER	
	L48	J0JDC0000045	IC FILTER	
			(RESISTORS)	
	R3	ERJ2GEJ102	1k	S
	R4	ERJ8GEYJ3R3	3.3	S
	R5	ERJ2GEJ122	1.2k	S
	R6	ERJ2GEJ224	220k	S
	R7	ERJ2GEJ103	10k	S
	R8	ERJ2GEJ303	30k	S
	R9	ERJ2GEJ303	30k	S
	R10	ERJ2GEJ152	1.5k	S
	R11	ERJ3GEYJ1R0	1	S
	R13	ERJ2GEJ681	680	S
	R14	ERJ2GEJ102	1k	S
	R18	ERJ2RKF1003	100k	
	R19	ERJ2RKF3302	33k	
	R20	ERJ2GEJ100	10	S
	R23	ERJ2GEJ102	1k	S
	R27	ERJ2GEJ821	820	S
	R28	ERJ2GEJ821	820	S
	R30	ERJ2GEJ152	1.5k	S
	R31	ERJ2GEJ103	10k	S
	R45	ERJ6RSJR10V	0.1	
	R50	ERJ2GEJ103	10k	S
	R51	ERJ3GEYJ331	330	S
	R52	ERJ2GEJ331	330	S
	R53	ERJ3GEYJ332	3.3k	S
	R54	ERJ2GEJ103	10k	S

Safety	Ref. No.	Part No.	Part Name & Description	Remarks
	R55	ERJ2GEJ102	1k	S
	R63	ERJ2GEJ101	100	S
	R64	ERJ2GEJ103	10k	S
	R66	ERJ2GEJ102	1k	S
	R76	ERJ2GEJ1R0	1	S
	R77	ERJ2GEJ1R0	1	S
	R100	ERJ2GEJ104	100k	S
	R203	D0GA563ZA006	56k	
	R215	ERJ2GE0R00	0	S
	R806	ERJ2GEJ221	220	S
	R807	ERJ2GEJ221	220	S
	L850	ERJ3GEY0R00	0	S
			(CAPACITORS)	
	C1	EEE0JA221WP	220	
	C2	EEE0JA221WP	220	
	C3	EEE0JA221WP	220	
	C4	F1G1H3R0A798	3p	
	C5	ECUE1A104KBQ	0.1	
	C10	ECUV1A225KBV	2.2	
	C11	ECUE1A104KBQ	0.1	
	C12	PQCUV0J106KB	10	
	C13	ECUE1A104KBQ	0.1	
	C19	ECUE1H102KBQ	0.001	
	C32	ECUE1A104KBQ	0.1	
	C34	ECUE1A104KBQ	0.1	
	C35	ECUE1A104KBQ	0.1	
	C40	ECUE1A104KBQ	0.1	
	C43	ECUE1H100DCQ	10p	
	C44	ECUE1A104KBQ	0.1	
	C45	ECUE1A104KBQ	0.1	
	C46	ECUE1H100DCQ	10p	
	C47	ECUV1A105KBV	1	
	C49	ECUV1A105KBV	1	
	C50	ECUV1A105KBV	1	
	C51	ECUV1A105KBV	1	
	C52	PQCUV0J106KB	10	
	C53	PQCUV1A225KB	2.2	
	C54	ECUE1H100DCQ	10p	
	C55	ECUE1H100DCQ	10p	
	C70	ECUE1H330JCQ	33p	
	C71	ECUE1H330JCQ	33p	
	C72	ECUE1H820JCQ	82p	
	C73	ECUE1H820JCQ	82p	
	C76	ECUE1H222KBQ	0.0022	
	C77	ECUE1H222KBQ	0.0022	
	C78	ECUE1H100DCQ	10p	
	C79	ECUE1H100DCQ	10p	
	C96	ECUE1H100DCQ	10p	
	C97	ECUE1H100DCQ	10p	
	C103	ECUE1H101JCQ	100p	
	C104	ECUE1H100DCQ	10p	
	C105	ECUE1H101JCQ	100p	
	C113	ECUE1H100DCQ	10p	
	C152	ECUE1H102KBQ	0.001	
	C172	ECUE1A104KBQ	0.1	
	C174	ECUV1C105KBV	1	
	C175	ECUV1C105KBV	1	
	C188	ECUE0J105KBQ	1	
	C189	ECUE0J105KBQ	1	
	C340	ECUE1H100DCQ	10p	
	C343	ECUE1A104KBQ	0.1	
	C344	ECUE1A104KBQ	0.1	
	C345	ECUE1H100DCQ	10p	
	C580	ECUE1H100DCQ	10p	S
	C701	ECUV1A105KBV	1	
	C702	ECUE1H100DCQ	10p	
	C704	ECUE1A104KBQ	0.1	
	C805	F1G1H1R8A798	1.8p	
	C806	F1G1H1R8A798	1.8p	
	C809	F1G1H100A722	10p	
	C810	F1G1HR60A798	0.6p	
	C811	F1G1H100A722	10p	
	C812	F1G1H1R6A798	1.6p	

Safety	Ref. No.	Part No.	Part Name & Description	Remarks
	C813	F1G1HR60A798	0.6p	
	C814	F1G1H100A722	10p	
	C820	F1G1H3R9A798	3.9p	
	C822	F1G1H100A722	10p	
	C825	F1G1H100A722	10p	
	C826	F1G1H100A722	10p	
	C827	F1G1H1R8A798	1.8p	
	C838	F1G1H100A722	10p	
	C850	F1G1H3R0A798	3p	
	C851	F1G1H2R0A798	2p	
	C865	ECUE1H100DCQ	10p	
	C866	ECUV1A105KBV	1	
			(OTHERS)	
	MIC100	L0CBAY000053	MICROPHONE	
	E101	L5DYBY00001	LIQUID CRYSTAL DISPLAY	
	E102	PNHR1114Z	TRANSPARENT PLATE, LCD	PMMA-HB
	E103	PNHR1392Z	GUIDE, LCD	ABS-HB
	E104	PNHX1136Z	COVER, LCD	
	E105	PQHG10729Z	RUBBER PARTS, RECEIVER	
	E106	PNMC1032Z	CASE, MAGNETIC SHIELD (*2)	
	E107	PNVE1011Z	BATTERY TERMINAL	ABS-HB
	E108	PNJT1059Z	CHARGE TERMINAL (L)	
	E109	PNJT1060Z	CHARGE TERMINAL (R)	
△	F1	K5H252Y00002	FUSE	
	X1	H0J103500039	CRYSTAL OSCILLATOR (*1)	

1.5.3. Charger Unit

1.5.3.1. Cabinet and Electrical Parts

Safety	Ref. No.	Part No.	Part Name & Description	Remarks
	200	PNLC1018ZB	CHARGER UNIT ASS'Y without NAME PLATE (RTL) (for KX-TG3722BX3)	
	200	PNLC1018ZN	CHARGER UNIT ASS'Y without NAME PLATE (RTL) (for KX-TG3722BX4)	
	200-1	PNKM1204Z1	CABINET BODY (for KX-TG3722BX3)	PS-HB
	200-1	PNKM1204Y3	CABINET BODY (for KX-TG3722BX4)	PS-HB
	200-2	PNJT1066Z	CHARGE TERMINAL	
	200-3	PNKF1150Z1	CABINET COVER (for KX-TG3722BX3)	PS-HB
	200-3	PNKF1150Z2	CABINET COVER (for KX-TG3722BX4)	PS-HB
	200-4	PQHA10023Z	RUBBER PARTS, FOOT CUSHION	

1.5.3.2. Main P.C. Board Parts

Safety	Ref. No.	Part No.	Part Name & Description	Remarks
	PCB200	PNWPTGA660CH	MAIN P.C. BOARD ASS'Y (RTL)	
			(JACK)	
	J1	K2ECYB000001	JACK	S
			(RESISTOR)	
	R1	ERX2SJ6R8	6.8	
			(FUSE)	
△	F1	K5H302Y00003	FUSE	

1.5.4. Accessories

Note:

You can download and refer to the Operating Instructions (Instruction book) on TSN Server.

Safety	Ref. No.	Part No.	Part Name & Description	Remarks
△	A1	PNLV226EZ	AC ADAPTOR	

Safety	Ref. No.	Part No.	Part Name & Description	Remarks
	A2	PQJA10075Z	CORD, TELEPHONE	

1.5.5. Screws

Safety	Ref. No.	Part No.	Part Name & Description	Remarks
	A	XTB26+8GFJ	TAPPING SCREW	
	B	XTB2+8GFJ	TAPPING SCREW	

1.5.6. Fixtures and Tool

Safety	Ref. No.	Part No.	Part Name & Description	Remarks
		PQZZ1CD300E	JIG CABLE	
		PNZZTG3721BX	BATCH FILE CD-ROM	
		PQZZ430PIR	TIP OF SOLDERING IRON	
		PQZZ430FRB	RUBBER OF SOLDERING IRON	

Y.M

KXTG3721BX3
KXTG3721BX4
KXTG3722BX3
KXTG3722BX4
KXTGA371BX3
KXTGA371BX4