

Service Manual

Telephone Equipment

Model No. **KX-TG6458BXT**
KX-TGA641BXT

Digital Cordless Phone

T: Titanium Black Version
(for UAE)

Supplement-1

Subject : Adding KX-TG6458BXT, KX-TGA641BXT to the KX-TG6451BX Series.

Note: All other information is the same as KX-TG6451BXT Service Manual (Order No. KM40908996CE). You can download and refer the Service Manual on TSN Server.

Please file and use this supplement manual together with the service manual for Model No.KX-TG6451BXT/KX-TGA641BXT, KM40908996CE.

WARNING

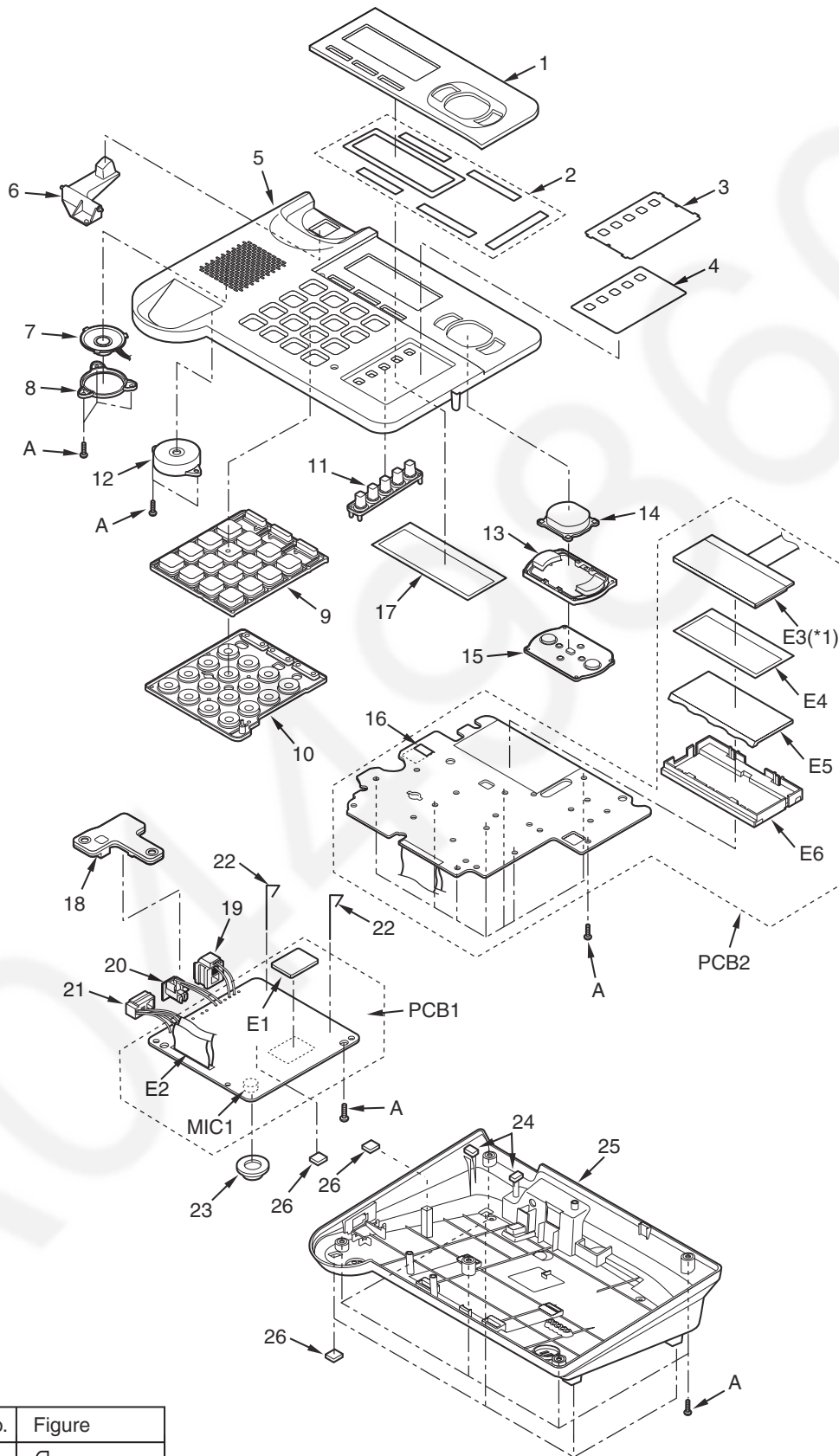
This service information is designed for experienced repair technicians only and is not designed for use by the general public. It does not contain warnings or cautions to advise non-technical individuals of potential dangers in attempting to service a product. Products powered by electricity should be serviced or repaired only by experienced professional technicians. Any attempt to service or repair the product or products dealt with in this service information by anyone else could result in serious injury or death.


TABLE OF CONTENTS

	PAGE
1 Exploded View and Replacement Parts List -----	2
1.1. Cabinet and Electrical Parts (Base Unit) -----	2
1.2. Cabinet and Electrical Parts (Cordless Handset)-----	3
1.3. Cabinet and Electrical Parts (Charger Unit) -----	4
1.4. Accessories -----	5
1.5. Replacement Parts List -----	6

1 Exploded View and Replacement Parts List

1.1. Cabinet and Electrical Parts (Base Unit)

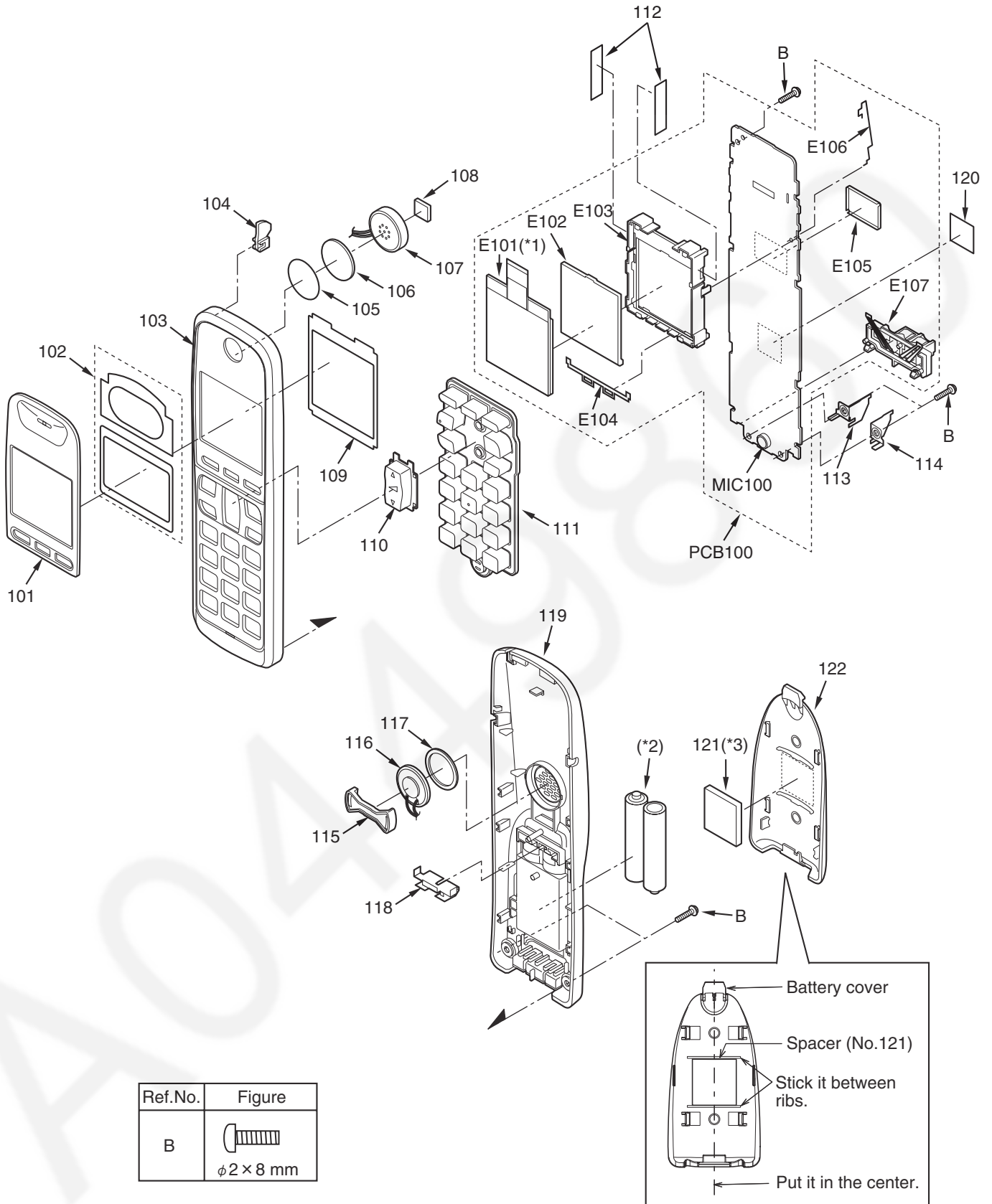


Ref.No.	Figure
A	 φ2.6 × 8 mm

Note:

(*1) This cable is fixed by soldering.

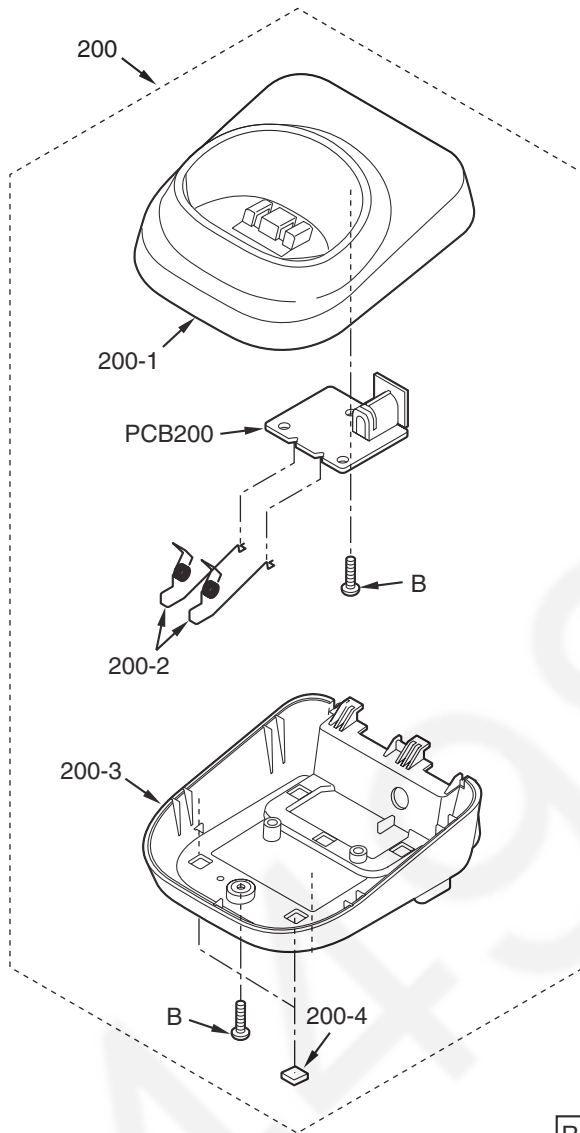
1.2. Cabinet and Electrical Parts (Cordless Handset)




Note:

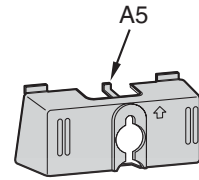
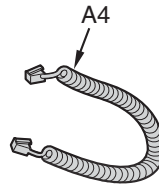
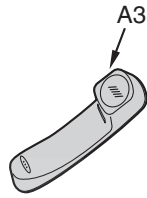
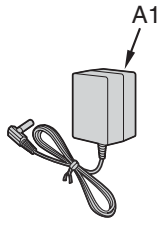
- (*1) This cable is fixed by soldering.
- (*2) The rechargeable Ni-MH battery HHR-4DPA or HHR-4MPT is available through sales route of Panasonic.
- (*3) Attach the spacer (No. 121) to the exact location described above.

1.3. Cabinet and Electrical Parts (Charger Unit)



Ref.No.	Figure
B	 $\phi 2 \times 8 \text{ mm}$

1.4. Accessories



1.5. Replacement Parts List

1. RTL (Retention Time Limited)

Note:

The "RTL" marking indicates that its Retention Time is Limited.

When production is discontinued, this item will continue to be available only for a specific period of time.

This period of time depends on the type of item, and the local laws governing parts and product retention.

At the end of this period, the item will no longer be available.

2. Important safety notice

Components identified by the Δ mark indicates special characteristics important for safety. When replacing any of these components, only use specified manufacture's parts.

3. The S mark means the part is one of some identical parts. For that reason, it may be different from the installed part.

4. ISO code (Example: ABS-94HB) of the remarks column shows quality of the material and a flame resisting grade about plastics.

5. RESISTORS & CAPACITORS

Unless otherwise specified;

All resistors are in ohms (Ω) k=1000 Ω , M=1000k Ω

All capacitors are in MICRO FARADS (μ F) p= μ μ F

*Type & Wattage of Resistor

Type

ERX:Solid ERDS:Carbon ERJ:Chip	ERX:Metal Film ERG:Metal Oxide ER0:Metal Film	PQ4R:Chip ERS:Fusible Resistor ERF:Cement Resistor
--------------------------------------	---	--

Wattage

10,16:1/8W	14,25:1/4W	12:1/2W	1:1W	2:2W	3:3W
------------	------------	---------	------	------	------

*Type & Voltage Of Capacitor

Type

ECFD:Semi-Conductor ECQS:Styrol ECUV,PQCUV,ECUE:Chip ECQMS:Mica	ECCD,ECKD,ECBT,F1K,ECUV: Ceramic ECQE,ECQV,ECQG:Polyester ECEA,ECST,EEE:Electlytic ECQP:Polypropylene
--	--

Voltage

ECQ Type	ECQG ECQV Type	ECSZ Type	Others		
1H:50V 2A:100V 2E:250V 2H:500V	05:50V 1:100V 2:200V	0F:3.15V 1A:10V 1V:35V 0J:6.3V	0J :6.3V 1A :10V 1C :16V 1E,25:25V	1V :35V 50,1H:50V 1J :16V 2A :100V	

1.5.1. Base Unit

1.5.1.1. Cabinet and Electrical Parts

Safety	Ref. No.	Part No.	Part Name & Description	Remarks
	1	PNGP1061Z1	PANEL, LCD	PMMA-HB
	2	PNYE1015Z	TAPE, DOUBLE SIDED	
	3	PNGV1007Z	TRANSPARENT PLATE , TEL CARD	PC-V2
	4	PNGD1014Z	CARD, TEL	
	5	PNKM1088Y1	CABINET BODY	ABS-HB
	6	PNBH1009Z1	BUTTON, HOOK	ABS-HB
	7	LOAA04A00028	SPEAKER	
	8	PQHR11082Z	GUIDE, SPEAKER	POM-HB
	9	PNBX1053Y1	BUTTON, DIAL	ABS-HB
	10	PNJK1053Z	KEYBOARD SWITCH, DIAL	
	11	PNJK1055Z	KEYBOARD SWITCH, 5KEY	
	12	L0DDYD000010	BUZZER	
	13	PNBX1054Z1	BUTTON, FUNCTION	ABS-HB

Safety	Ref. No.	Part No.	Part Name & Description	Remarks
	14	PNBC1272Z1	BUTTON, NAVIGATOR KEY	ABS-HB
	15	PNJK1057Z	KEYBOARD SWITCH, FUNCTION	
	16	PNHX1200Z	PLASTIC PARTS, SHEET	
	17	PNYE1014Z	SPACER, CUSHION LCD	
	18	PNHR1130Z	GUIDE, JACK	ABS-HB
	19	PQJJ1T039T	JACK, MODULAR	
	20	K2ECYZ000001	JACK, DC	
	21	PQJJ1T030S	JACK, HANDSET	
	22	PNLA1004Z	ANTENNA	
	23	PQMG10025W	RUBBER PARTS, MIC	
	24	PNHS1131Z	CUSHION, CABINET	
	25	PNKF1063Y1	CABINET COVER	PS-HB
	26	PQHA10023Z	RUBBER PARTS, FOOT CUSHION	

1.5.1.2. Main P.C.Board Parts

Note:

(*1) When replacing IC501, IC561 or X511, make the adjustment using PNZZTG6458BX.

(*2) When removing E1, use special tools (ex. Hot air disordering tool).

(*3) Backside of this IC has a ground plate.

(*4) Supplied IC is Flat Package Type.

Addition

Safety	Ref. No.	Part No.	Part Name & Description	Remarks
	PCB1	PNWP16458BXH	MAIN P.C.BOARD ASS'Y (RTL)	
			(ICs)	
	IC101	C1CB00002903	IC	S
	IC201	C1CB00002427	IC (*3)	
	IC301	C0CBAYG00016	IC	S
	IC303	C0CBCAC000250	IC	
	IC304	C0CBAYG00016	IC	S
	IC501	C1CB00003153	IC (BBIC(FLASH)) (*1) (*3) (*4)	
	IC561	PQWICD825RUH	IC (EEPROM) (*1)	
	IC801	C1CB00001842	IC (*3)	
			(TRANSISTORS)	
	Q111	B1CCBR000001	TRANSISTOR (SI)	
	Q112	PQVTFB822T7	TRANSISTOR (SI)	
	Q113	PQVTFB822T7	TRANSISTOR (SI)	
	Q114	PSVTDTC144E	TRANSISTOR (SI)	S
	Q121	B1ADGE000004	TRANSISTOR (SI)	
	Q122	PSVTDTC144E	TRANSISTOR (SI)	S
	Q131	2SD1994A	TRANSISTOR (SI)	
	Q162	2SD1819A-TX	TRANSISTOR (SI)	S
	Q168	UNR9113J0L	TRANSISTOR (SI)	
	Q331	2SD1819A-TX	TRANSISTOR (SI)	S
	Q341	B1ADGE000004	TRANSISTOR (SI)	
	Q351	B1ADGE000004	TRANSISTOR (SI)	
	Q371	B1BBAP000021	TRANSISTOR (SI)	
	Q601	UN9219J	TRANSISTOR (SI)	S
	Q602	UN9219J	TRANSISTOR (SI)	S
	Q605	PSVTDTC144E	TRANSISTOR (SI)	S
	Q606	PSVTDTC144E	TRANSISTOR (SI)	S
	Q607	PSVTDTC144E	TRANSISTOR (SI)	S
	Q608	2SD0874AS	TRANSISTOR (SI)	
			(DIODES)	
	D101	BOEDER000009	DIODE (SI)	
	D301	DOGLR00Z0001	DIODE (SI)	
	D112	MA1Z300	DIODE (SI)	S
	D117	MA111	DIODE (SI)	S
	D137	MA111	DIODE (SI)	S
	D138	BOBC4R500012	DIODE (SI)	
	D161	BOEDER000009	DIODE (SI)	
	D173	MA111	DIODE (SI)	S
	D174	MA111	DIODE (SI)	S
	D201	MAZ805100L	DIODE (SI)	

Addition

Safety	Ref. No.	Part No.	Part Name & Description	Remarks
	D202	MAZ805100L	DIODE (SI)	
	D311	MA21D3400L	DIODE (SI)	
	D352	MA111	DIODE (SI)	S
	D353	MA21D3400L	DIODE (SI)	
	DA801	B0DDCD000001	DIODE (SI)	
	DA802	B0DDCD000001	DIODE (SI)	
			(COILS)	
	L101	PQLQXF330K	COIL	S
	L102	PQLQXF330K	COIL	S
	L103	G1A102BA0002	COIL	
	L201	PQLQR1WT	COIL	S
	L202	PQLQR1WT	COIL	S
	L203	PQLQR1RS241	COIL	S
	L204	PQLQR1RS241	COIL	S
	L221	PQLQR2KA20T	COIL	S
	L222	PQLQR2KA20T	COIL	S
	L223	PQLQR2KA20T	COIL	S
	L224	PQLQR2KA20T	COIL	S
	L801	G1C27NJ00010	COIL	
	L802	G1C3N0ZA0063	COIL	
	L803	G1C3N0ZA0063	COIL	
	C862	G1C3N3Z00007	COIL	
	C863	PQLQR4C8N2J	COIL	S
			(RESISTOR ARRAYS)	
	RA501	D1H410220001	RESISTOR ARRAY	
	RA561	D1H410320002	RESISTOR ARRAY	
			(VARISTOR)	
	SA101	J0LF00000026	VARISTOR (SURGE ABSORBER)	
			(IC FILTERS)	
	L501	ERJ2GE0R00	IC FILTER	
	R511	J0JCC0000275	IC FILTER	
			(PHOTO ELECTRIC TRANSDUCER)	
	PC102	B3PAA0000531	PHOTO ELECTRIC TRANSDUCER	
			(RESISTORS)	
	R101	ERJ6GEY0R00	0	
	R110	ERJ2GE0R00	0	
	R112	PQ4R10XJ392	3.9k	S
	R113	ERJ3GEYJ473	47k	
	R114	ERJ2GEJ103	10k	
	R115	ERJ3GEYJ564	560k	
	R116	ERJ3GEYJ474	470k	
	R117	ERJ2GEJ222	2.2k	
	R121	ERJ3GEYJ104	100k	
	R122	ERJ3GEYJ103	10k	
	R123	ERJ3GEYJ104	100k	
	R125	ERJ2GE0R00	0	
	R131	ERJ2GEJ223	22k	
	R133	ERJ3GEYJ821	820	
	R134	ERJ2GEJ104	100k	
	R135	ERJ12YJ120	12	
	R137	ERJ2GEJ104	100k	
	R140	ERJ2GEJ153	15k	
	R141	ERJ3GEYJ822	8.2k	
	R142	ERJ3GEY0R00	0	
	R143	ERJ2GEJ274	270k	
	R144	ERJ3GEYJ561	560	
	R145	ERJ3GEYJ820	82	
	R146	ERJ2GEJ332	3.3k	
	R148	ERJ2GEJ222	2.2k	
	R153	ERJ2GEJ121	120	
	R154	ERJ2GEJ101	100	
	R163	ERJ14YJ392	3.9k	
	R165	ERJ3GEYJ183	18k	
	R166	ERJ3GEYJ183	18k	
	R167	ERJ3GEYJ332	3.3k	
	R168	ERJ2GEJ122	1.2k	
	R169	ERJ3GEYJ104	100k	
	R172	ERJ3GEYJ823	82k	
	R178	ERJ3GEYJ565	5.6M	
	R181	ERJ3GEYJ184	180k	
	R182	ERJ3GEYJ105	1M	

Safety	Ref. No.	Part No.	Part Name & Description	Remarks
	R184	ERJ2GEJ823	82k	
	R185	ERJ2GEJ102	1k	
	R186	ERJ2GEJ102	1k	
	R187	ERJ2GEJ104	100k	
	R191	ERJ3GEYJ184	180k	
	R192	ERJ3GEYJ105	1M	
	R194	ERJ2GEJ823	82k	
	R195	ERJ2GEJ102	1k	
	R196	ERJ3GEY0R00	0	
	R197	ERJ3GEYJ475	4.7M	
	R198	ERJ3GEYJ475	4.7M	
	R206	ERJ3GEYJ105	1M	
	R207	ERJ2GEJ104	100k	
	R209	ERJ2GEJ100	10	
	R211	ERJ2GEJ101	100	
	R213	ERJ2GE0R00	0	
	R214	ERJ2GE0R00	0	
	R215	ERJ2GEJ472X	4.7k	
	R217	ERJ2GEJ472X	4.7k	
	R221	ERJ2GEJ222	2.2k	
	R222	ERJ2GEJ222	2.2k	
	R224	ERJ2GEJ222	2.2k	
	R225	ERJ2GEJ222	2.2k	
	R232	ERJ2GEJ222	2.2k	
	R233	ERJ2GEJ330	33	
	R234	ERJ2GEJ330	33	
	R236	ERJ2GEJ471	470	
	R311	ERJ2RKF1000	100	
	R312	ERJ2RKF1800	180	
	R323	ERJ2GE0R00	0	
	R331	ERJ3GEYJ822	8.2k	
	R332	ERJ3GEYJ152	1.5k	
	R333	ERJ3GEYJ392	3.9k	
	R334	ERJ2GEJ472X	4.7k	
	R341	ERJ2GEJ682	6.8k	
	R342	ERJ2GEJ103	10k	
	R343	ERJ3GEYJ180	18	
	R371	ERJ2GEJ222	2.2k	
	R372	ERJ2GEJ103	10k	
	R374	PQ4R10XJ151	150	S
	R384	ERJ2RKF1000	100	
	R385	ERJ2RKF2000	200	
	R501	ERJ2GEJ333	33k	
	R512	D0GA563ZA006	56k	
	R525	ERJ2GEJ101	100	
	R526	ERJ2GEJ102	1k	
	R527	ERJ2GEJ103	10k	
	R531	ERJ2GEJ102	1k	
	R532	ERJ2GEJ102	1k	
	R543	ERJ2GEJ561	560	
	R544	ERJ2GEJ561	560	
	R547	ERJ2GE0R00	0	
	R563	ERJ2GEJ104	100k	
	R602	ERJ3GEYJ391	390	
	R801	ERJ2GEJ821	820	
	R802	ERJ2GEJ101	100	
	R803	ERJ2GEJ102	1k	
	R804	ERJ2GEJ102	1k	
	R805	ERJ2GEJ470	47	
	R806	ERJ2GEJ221	220	
	R807	ERJ2GEJ221	220	
	R808	ERJ2GEJ221	220	
	R809	ERJ2GEJ221	220	
	R810	ERJ2GEJ102	1k	
			(CAPACITORS)	
	C101	F1B2H681A070	680p	
	C102	F1B2H681A070	680p	
	C138	ECEA0JKA331	330	
	C139	ECUE1C103KBQ	0.01	
	C141	ECUE1E472KBQ	0.0047	
	C142	ECUV1H104KBV	0.1	
	C144	F2A1H2200013	22	
	C146	ECUE1H100DCQ	10p	

Safety	Ref. No.	Part No.	Part Name & Description	Remarks
	C147	ECUE1H102KBQ	0.001	
	C151	PQCUV1C105KB	1	
	C152	ECJ0EB0J224K	0.22	S
	C154	ECJ0EB0J224K	0.22	S
	C155	ECUE1H100DCQ	10p	
	C164	F0C2E1050005	1	
	C165	F1K1H475A199	4.7	S
	C166	ECUV1C563KBV	0.056	
	C172	ECUE1A104KBQ	0.1	
	C181	F1B2H681A070	680p	
	C182	ECUV1H102KBV	0.001	
	C184	ECUE1H821KBQ	820p	
	C185	ECUE1H100DCQ	10p	
	C186	ECUE1H100DCQ	10p	
	C187	ECUE1C333KBQ	0.033	
	C188	ECUE1A823KBQ	0.082	
	C191	F1B2H681A070	680p	
	C192	ECUV1H102KBV	0.001	
	C194	ECUE1H821KBQ	820p	
	C195	ECUE1H100DCQ	10p	
	C196	ECUV1C103KBV	0.01	
	C197	ECUV1C103KBV	0.01	
	C201	ECUE1A104KBQ	0.1	
	C202	ECEA0JKA101	100	
	C203	ECUE0J105KBQ	1	
	C204	ECUE1A104KBQ	0.1	
	C206	ECUV1H102KBV	0.001	
	C207	ECUE1A104KBQ	0.1	
	C208	ECUE1A104KBQ	0.1	
	C209	ECUE1H100DCQ	10p	
	C211	ECEA1CK101	100	S
	C212	ECUE1A104KBQ	0.1	
	C213	F1K1C4750023	4.7	
	C214	F1K1C4750023	4.7	
	C215	ECUV1A105KBV	1	
	C216	ECUV1A105KBV	1	
	C223	ECUE1H333KBQ	330p	
	C224	ECUE1A104KBQ	0.1	
	C225	ECUV1H102KBV	0.001	
	C227	ECUE1A104KBQ	0.1	
	C232	ECUE1H100DCQ	10p	
	C235	ECUE1A104KBQ	0.1	
	C241	ECUE1H222KBQ	0.0022	
	C242	ECUE1H222KBQ	0.0022	
	C243	ECUE1H100DCQ	10p	
	C244	ECUE1H100DCQ	10p	
	C301	PQCUV1C105KB	1	
	C302	PQCUV1C105KB	1	
	C303	ECEA1CK101	100	S
	C311	ECEA0JKA331	330	
	C331	ECUV1H104KBV	0.1	
	C343	ECEA0JKA331	330	
	C344	ECUE1H100DCQ	10p	
	C351	ECUV1A105KBV	1	
	C352	ECUE1A104KBQ	0.1	
	C361	ECUV1A105KBV	1	
	C371	F1J1A106A024	10	
	C385	ECEA0JKA331	330	
	C391	ECUE1H222KBQ	0.0022	
	C392	ECUE1H222KBQ	0.0022	
	C393	ECUE1H681KBQ	680p	
	C394	ECUE1H681KBQ	680p	
	C501	ECUV1A105KBV	1	
	C502	ECUE1A104KBQ	0.1	
	C504	ECUV1A105KBV	1	
	C511	ECUE1H100DCQ	10p	
	C512	ECUE0J105KBQ	1	
	C514	ECUE1H100DCQ	10p	
	C521	ECUE1H100DCQ	10p	
	C522	ECUE1A104KBQ	0.1	
	C523	ECUE1A104KBQ	0.1	
	C531	ECUV1H104KBV	0.1	
	C533	ECUV1A105KBV	1	

Safety	Ref. No.	Part No.	Part Name & Description	Remarks
	C562	ECUE1A104KBQ	0.1	
	C632	ECUE1H271KBQ	270p	
	C633	ECUE1H271KBQ	270p	
	C634	ECUE1H271KBQ	270p	
	C635	ECUE1H271KBQ	270p	
	C636	ECUE1H271KBQ	270p	
	C645	ECUE1H271KBQ	270p	
	C661	F1G1H471A541	470p	S
	C662	F1G1H471A541	470p	S
	C663	F1G1H471A541	470p	S
	C683	ECUE1H100DCQ	10p	
	C684	ECUE1H100DCQ	10p	
	C802	F1G1H1R8A480	1.8p	
	C803	F1G1H1R3A480	1.3p	
	C804	F1G1H1R8A480	1.8p	
	C805	F1G1H3R3A480	3.3p	
	C806	F1G1H3R3A480	3.3p	
	C808	ECUE1A104KBQ	0.1	S
	C809	F1G1H100A420	10p	
	C810	F1G1H2R2A480	2.2p	
	C811	F1G1H100A420	10p	
	C812	F1G1H100A420	10p	
	C813	F1G1H2R2A480	2.2p	
	C814	ECUE1H333KBQ	0.0033	S
	C819	F1G1H100A420	10p	
	C820	F1G1HR50A480	0.5p	
	C822	F1G1H100A420	10p	
	C825	F1G1H100A420	10p	
	C826	F1G1H1R1A480	1.1p	
	C827	F1G1H100A420	10p	
	C834	F1G1HR50A480	0.5p	
	C850	F1G1H101A557	100p	
	C851	F1G1H100A420	10p	
	C852	F1G1H100A420	10p	
	C853	F1G1H100A420	10p	
	C854	F1G1H100A420	10p	
	C855	F1G1H101A557	100p	
	C859	F1G1H100A420	10p	
	C860	F1G1H100A420	10p	
	C861	F1G1H3R0A480	3p	
	C864	F1G1H100A420	10p	
			(OTHERS)	
	E1	PNMC1013Z	CASE, MAGNETIC SHIELD (*2)	
	E2	PNWHL14SH04B	LEAD WIRE, PARALLEL WIRE	
	F301	K5H302Y00003	FUSE	
	X511	H0J103500027	CRYSTAL OSCILLATOR (*1)	
	MIC1	LOCBAY000016	MICROPHONE	

1.5.1.3. Operational P.C.Board parts

Safety	Ref. No.	Part No.	Part Name & Description	Remarks
	PCB2	PNWP26451FXH	OPERATIONAL P.C.BOARD ASS'Y (RTL)	
			(DIODES)	
		LED901	B3ACB0000190	LED
		LED902	B3ACB0000190	LED
		LED903	B3ACB0000190	LED
		LED904	B3ACB0000190	LED
		LED911	PQVDBR1111C	LED S
			(CAPACITORS)	
		C931	ECUE1H101JCQ	100p
		C932	ECUE1H150JCQ	15p
		C933	ECUE1H150JCQ	15p
		C934	ECUE1H101JCQ	100p
		C935	ECUE1H101JCQ	100p
		C936	ECUE0J105KBQ	1
		C937	ECUE0J105KBQ	1
		C938	ECUE0J105KBQ	1
			(RESISTORS)	
	R901	ERJ3GEYJ151	150	

Safety	Ref. No.	Part No.	Part Name & Description	Remarks
	R902	ERJ3GEYJ151	150	
	R903	ERJ3GEYJ151	150	
	R904	ERJ3GEYJ151	150	
	R931	ERJ2GEJ332	3.3k	
	R932	ERJ2GEJ102	1k	
	R933	ERJ2GEJ561	560	
	R934	ERJ2GEJ332	3.3k	
	R935	ERJ2GEJ103	10k	
	R936	ERJ3GEYJ100	10	
	R937	ERJ3GEYJ100	10	
	R938	ERJ3GEYJ101	100	
	R939	ERJ3GEYJ101	100	
	R940	ERJ3GEYJ101	100	
			(OTHERS)	
	E3	L5DYAYY00004	LIQUID CRYSTAL DISPLAY	
	E4	PNHX1156Z	COVER, LCD	
	E5	PNHR1129Z	TRANSPARENT PLATE, LCD	PMMA-HB
	E6	PNHR1128Z	GUIDE, LCD	ABS-HB
	SW901	K0L1LB000021	SPECIAL SWITCH	

1.5.2. Cordless Handset

1.5.2.1. Cabinet and Electrical Parts Addition

Safety	Ref. No.	Part No.	Part Name & Description	Remarks
	101	PNGP1048Y1	PANEL, LCD	PMMA-HB
	102	PNYE1008Z	TAPE, DOUBLESIDED	
	103	PNKML080Y4	CABINET BODY	PS-HB
	104	PNHR1105Z	OPTIC CONDUCTIVE PARTS, LED LENS	PS-HB
	105	PNHS1072Z	SPACER, RECEIVER NET	
	106	PQHS10467Z	COVER, SPEAKER NET	
	107	LOAD02A00028	RECEIVER	
	108	PQHG10729Z	RUBBER PARTS, RECEIVER	
	109	PNYE1009Z	SPACER, CUSHION LCD	
	110	PNBCL265Z1	BUTTON, VOLUME KEY	ABS-HB
	111	PNJK1050T	KEYBOARD SWITCH	
	112	PNHX1165Z	COVER, LCD SHEET	
	113	PNJT1027Z	CHARGE TERMINAL (L)	
	114	PNJT1026Z	CHARGE TERMINAL (R)	
	115	PQHR11315Z	GUIDE, SPEAKER HOLDER	ABS-HB
	116	LOAA02A00095	SPEAKER	
	117	PQHS10784Y	SPACER, SPEAKER NET	
	118	PNJC1014Y	BATTERY TERMINAL	
	119	PNKF1057Z1	CABINET COVER	ABS-HB
	120	PNHX1219Z	PET SHEET	
	121	PNHS1079Z	SPACER, BATTERY	
	122	PNKK1027Z1	LID, BATTERY	ABS-HB

1.5.2.2. Main P.C.Board Parts Addition

Note:

- (*1) Reconfirm the model No. written on the cordless handset's name plate when replacing PCB100. Because the model No. of the optional handset may differ from the included handset.
- (*2) When replacing IC1, IC3 or X1, make the adjustment using PNZZTG6458BX.
- (*3) When removing E105, use special tools (ex. Hot air disordering tool).
- (*4) Backside of this IC has a ground plate.
- (*5) Supplied IC is Flat Package Type.

Safety	Ref. No.	Part No.	Part Name & Description	Remarks
	PCB100	PNWPGA641BXR	MAIN P.C.BOARD ASS'Y (RTL) (*1)	
	IC1	C1CB00002906	IC (BBIC (FLASH)) (*2) (*4) (*5)	

Safety	Ref. No.	Part No.	Part Name & Description	Remarks
	IC3	PQWIA130EXRR	IC (EEPROM) (*2)	
	IC801	C1CB00001842	IC (*4)	
			(TRANSISTORS)	
	Q2	B1ADGE000004	TRANSISTOR (SI)	
	Q4	B1ADGE000004	TRANSISTOR (SI)	
	Q7	UN9219J	TRANSISTOR (SI)	S
	Q9	2SC6054JSL	TRANSISTOR (SI)	
	Q10	UN9219J	TRANSISTOR (SI)	S
	Q11	B1ADCF000161	TRANSISTOR (SI)	
	Q12	B1ADCF000161	TRANSISTOR (SI)	
			(DIODES)	
	D1	MA2YD2120L	DIODE (SI)	
	D7	B0JCMC000035	DIODE (SI)	
	D21	MA8043M	DIODE (SI)	S
	D22	MA8043M	DIODE (SI)	S
	DA801	B0DDCD000001	DIODE (SI)	
	LED1	B3ACB0000216	LED	
	LED2	B3ACB0000216	LED	
	LED3	B3ACB0000216	LED	
	LED4	B3ACB0000216	LED	
	LED5	B3ACB0000216	LED	
	LED6	B3ACB0000216	LED	
	LED7	B3ACB0000216	LED	
	LED8	B3ACB0000216	LED	
	LED9	B3ACB0000216	LED	
	LED12	B3ACB0000216	LED	
			(COILS)	
	F1	PQLQR2M5N6K	COIL	S
	L801	G1C27NJ00010	COIL	
	L802	G1C3N6ZA0063	COIL	
	L803	G1C3N6ZA0063	COIL	
			(RESISTOR ARRAYS)	
	RA1	D1H810240004	RESISTOR ARRAY	S
	RA2	D1H410220001	RESISTOR ARRAY	
	RA4	D1H43320001	RESISTOR ARRAY	
	RA61	D1H422120001	RESISTOR ARRAY	
			(IC FILTER)	
	L8	J0JHC0000045	IC FILTER	
			(VARISTORS)	
	D8	D4ED1270A014	VARISTOR	
	D13	D4ZZ00000024	VARISTOR	
	D14	D4ZZ00000024	VARISTOR	
			(RESISTORS)	
	R2	ERJ2GEJ392	3.9k	
	R6	ERJ2GEJ102	1k	
	R7	ERJ2GEJ122	1.2k	
	R8	ERJ2GEJ101	100	
	R20	ERJ2GEJ100	10	
	R27	ERJ2GEJ821	820	
	R28	ERJ2GEJ821	820	
	R30	ERJ3GEYJ273	27k	
	R40	ERJ2GEJ103	10k	
	R41	ERJ2GEJ103	10k	
	R42	ERJ2GEJ103	10k	
	R45	ERJ6RSJR10V	0.1	
	R50	ERJ2GEJ103	10k	
	R51	ERJ2GEJ471	470	
	R52	ERJ2GEJ102	1k	
	R53	ERJ2GEJ332	3.3k	
	R54	ERJ2GEJ103	10k	
	R55	ERJ2GEJ102	1k	
	R63	ERJ2GEJ101	100	
	R64	ERJ2GEJ103	10k	
	R66	ERJ2GEJ102	1k	
	R73	ERJ2GEJ820	82	
	R74	ERJ2GEJ820	82	
	R203	D0GA563ZA006	56k	
	R215	ERJ2GEOR00	0	
	R248	ERJ2GEOR00	0	
	R251	ERJ2GEOR00	0	
	R300	ERJ2GEJ331	330	
	R301	ERJ2GEJ331	330	
	R302	ERJ2GEJ331	330	

Safety	Ref. No.	Part No.	Part Name & Description	Remarks
	R303	ERJ2GEJ331	330	
	R304	ERJ2GEJ331	330	
	R305	ERJ2GEJ331	330	
	R308	ERJ2GEJ121	120	
	R309	ERJ2GEJ121	120	
	R310	ERJ2GEJ121	120	
	R330	ERJ2GEJ105X	1M	
	R331	ERJ2GEJ273X	27k	
	R332	ERJ2GEJ273X	27k	
	R801	ERJ2GEJ681	680	
	R802	ERJ2GEJ101	100	
	R803	ERJ2GEJ102	1k	
	R804	ERJ2GEJ102	1k	
	R805	ERJ2GEJ470	47	
	R806	ERJ2GEJ221	220	
	R807	ERJ2GEJ221	220	
			(CAPACITORS)	
	C1	F2A0J3310067	330	
	C2	F2A0J3310067	330	
	C5	ECUE1A104KBQ	0.1	
	C10	ECUV1A225KB	2.2	
	C11	ECUE1A104KBQ	0.1	
	C12	PQCUV0J106KB	10	
	C13	ECUE1A104KBQ	0.1	
	C15	ECUV1A105KBV	1	
	C38	ECUE1H100DCQ	10p	
	C40	ECUE1A104KBQ	0.1	
	C43	ECUE1H100DCQ	10p	
	C44	ECUE1A104KBQ	0.1	
	C45	ECUE1A104KBQ	0.1	
	C46	ECUE1H100DCQ	10p	
	C47	ECUV1A105KBV	1	
	C49	ECUV1A105KBV	1	
	C50	ECUV1A105KBV	1	
	C51	ECUV1A105KBV	1	
	C52	PQCUV0J106KB	10	
	C53	PQCUV0J106KB	10	
	C54	ECUE1H100DCQ	10p	
	C55	ECUE1H100DCQ	10p	
	C70	ECUE1H100DCQ	10p	
	C71	ECUE1H100DCQ	10p	
	C72	ECUE1H100DCQ	10p	
	C73	ECUE1H100DCQ	10p	
	C96	ECUE1H100DCQ	10p	
	C97	ECUE1H100DCQ	10p	
	C103	ECUE1H101JCQ	100p	
	C104	ECUE1H100DCQ	10p	
	C105	ECUE1H101JCQ	100p	
	C113	ECUE1H100DCQ	10p	
	C138	ECUE1H100DCQ	10p	
	C139	ECUE1H100DCQ	10p	
	C147	ECUV1C105KBV	1	
	C152	ECUE1H102KBQ	0.001	
	C172	ECUV1C104KBV	0.1	
	C175	ECUV1C105KBV	1	
	C182	F1G1H3R0A480	3p	
	C186	F1G1H2R0A480	2.0p	
	C187	F1G1H2R0A480	2.0p	
	C188	ECUE0J105KBQ	1	
	C331	ECUE0J105KBQ	1	
	C332	ECUE0J105KBQ	1	
	C580	ECUE1H100DCQ	10p	
	C802	F1G1H2R0A480	2.0p	
	C803	F1G1H1R5A480	1.5p	
	C804	F1G1H2R0A480	2.0p	
	C805	F1G1H3R3A480	3.3p	
	C806	F1G1H3R3A480	3.3p	
	C808	ECUE1A104KBQ	0.1	
	C809	ECUE1H100DCQ	10p	
	C810	F1G1H1R6A480	1.6p	
	C811	ECUE1H100DCQ	10p	
	C812	ECUE1H100DCQ	10p	
	C813	F1G1H1R6A480	1.6p	

Safety	Ref. No.	Part No.	Part Name & Description	Remarks
	C814	ECUE1H332KBQ	0.0033	
	C819	ECUE1H100DCQ	10p	
	C820	F1G1HR70A480	0.7p	
	C822	ECUE1H100DCQ	10p	
	C825	ECUE1H100DCQ	10p	
	C826	F1G1H2R0A480	2p	
	C827	ECUE1H100DCQ	10p	
	C834	F1G1HR50A480	0.5p	
	C859	F1G1H3R0A480	3p	
	C860	ECUE1H100DCQ	10p	
	C861	F1G1H3R0A480	3p	
	C862	F1G1HR70A480	0.7p	
	C863	ECUE1H100DCQ	10p	
	C864	ECUE1H100DCQ	10p	
			(OTHERS)	
	MIC100	LOCBAY000032	MICROPHONE	
	E101	L5DYBY00001	LIQUID CRYSTAL DISPLAY	
	E102	PNHR1114Z	TRANSPARENT PLATE, LCD	PMMA-HB
	E103	PNHR1113Z	GUIDE, LCD	ABS-HB
	E104	PNHX1136Z	COVER, LCD	
	E105	PNMC1013Z	CASE, MAGNETIC SHIELD (*3)	
	E106	PNLA1020Z	ANTENNA	
	E107	PNVE1002Z	BATTERY TERMINAL	ABS-HB
	X1	H0J103500034	CRYSTAL OSCILLATOR (*2)	

1.5.3. Charger Unit

1.5.3.1. Cabinet and Electrical Parts

Safety	Ref. No.	Part No.	Part Name & Description	Remarks
	200	PNLC1008ZT	CHARGER UNIT ASS'Y without NAME PLATE (RTL)	
	200-1	PNKM1077Z1	CABINET BODY	PS-HB
	200-2	PNJT1010Z	CHARGE TERMINAL	
	200-3	PNKF1012Z1	CABINET COVER	PS-HB
	200-4	PQHA10023Z	RUBBER PARTS, FOOT CUSHION	

1.5.3.2. Main P.C.Board Parts

Safety	Ref. No.	Part No.	Part Name & Description	Remarks
	PCB200	PNWPTGA641CH	MAIN P.C.BOARD ASS'Y (RTL)	
			(JACK)	
	J1	K2ECYB000001	JACK	S
			(RESISTOR)	
	R1	ERG2SJ120	12 (FUSE)	
	F1	K5H302Y00003	FUSE	

1.5.4. Accessories

Safety	Ref. No.	Part No.	Part Name & Description	Remarks
⚠	A1	PQLV219BXZ	AC ADAPTOR	
	A2	PQJA10075Z	CORD, TELEPHONE	
	A3	PNLXP1005Z	HANDSET	ABS-HB
	A4	PQJA212V	CORD, CURL	
	A5	PQKL10035Z1	STAND, WALL MOUNT	ABS-HB

1.5.5. Screws

Safety	Ref. No.	Part No.	Part Name & Description	Remarks
	A	XTB26+8GFJ	TAPPING SCREW	
	B	XTB2+8GFJ	TAPPING SCREW	

1.5.6. Fixtures and Tools

Safety	Ref. No.	Part No.	Part Name & Description	Remarks
		PQZZ1CD300E	JIG CABLE	
		PNZZTG6458BX	BATCH FILE CD-ROM	
		PQZZ430PIR	TIP OF SOLDERING IRON	
		PQZZ430PRB	RUBBER OF SOLDERING IRON	

Addition

A04498860

Y.M
 KXTG6458BXT
 KXTGA641BXT