

Service Manual

Telephone Equipment

KX-TCD510AXM

KX-TCA151AXM

Digital Cordless Answering System

Metallic Grey Version

(for Asia, Middle Near East and Other areas)

Supplement-2

Please file and use this supplement manual together with the service manual mentioned below.

Model No.	Order No.	Sup. No.	Countries/Areas
KX-TCD510AXM/KX-TCA151AXM	KM40309233C3	2	Asia, Middle Near East and Other areas

WARNING

This service information is designed for experienced repair technicians only and is not designed for use by the general public. It does not contain warnings or cautions to advise non-technical individuals of potential dangers in attempting to service a product. Products powered by electricity should be serviced or repaired only by experienced professional technicians. Any attempt to service or repair the product or products dealt with in this service information by anyone else could result in serious injury or death.

CONTENTS

	Page		Page
1 REPLACEMENT PARTS LIST	2	2.2. CABINET AND ELECTRICAL PARTS LOCATION (HANDSET) (Changed from original section 32 CABINET AND ELECTRICAL PARTS LOCATION (HANDSET))	4
1.1. REFERENCE CHART	2	2.3. CABINET AND ELECTRICAL PARTS LOCATION (CHARGER UNIT) (Changed from original section 33 CABINET AND ELECTRICAL PARTS LOCATION (CHARGER UNIT))	4
1.2. ORIGINAL AND NEW PARTS COMPARISON LISTS	3		
2 CORRECTION	4		
2.1. CABINET AND ELECTRICAL PARTS LOCATION (BASE UNIT) (Changed from original section 31 CABINET AND ELECTRICAL PARTS LOCATION (BASE UNIT))	4		



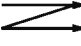
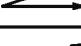
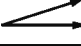
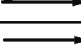
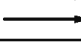
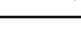
Panasonic

© 2007 Panasonic Communications Co., Ltd. All rights reserved. Unauthorized copying and distribution is a violation of law.

1 REPLACEMENT PARTS LIST

1.1. REFERENCE CHART

Reason for Change	
*The following items (1-8) indicate the reason for change. See the "Notes" column for each part in ORIGINAL AND NEW PARTS COMPARISON LISTS .	
1. Improve performance	Remarks: a. To share with other models.
2. Change of material or dimension	
3. To meet approved specification	
4. Standardization	
5. Addition	
6. Deletion	
7. Correction	
8. Other (For RoHS)	

Interchangeability Code		
**The following items (V-Z) indicate the Interchangeability. See the "Notes" column for each part in ORIGINAL AND NEW PARTS COMPARISON LISTS .		
V	Original  Early (before change) New  Late (after change)	Original or new parts may be used in early or late production sets. Use original parts until exhausted, then stock new parts.
W	Original  Early (before change) New  Late (after change)	Original parts may be used in early production sets only. New parts may be used in early or late production sets. Use original parts where possible, then stock new parts.
X	Original  Early (before change) New  Late (after change)	New parts only may be used in early or late production sets. Stock new parts.
Y	Original  Early (before change) New  Late (after change)	Original parts may be used in early production sets only. New parts may be used in late production sets only. Stock both original and new parts.
Z	Other	

Note:

Alphabets in the "Remarks" column in the following lists correspond to the alphabets in the "Remarks" in REFERENCE CHART.

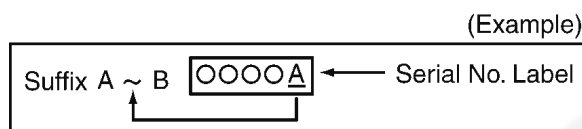
1.2. ORIGINAL AND NEW PARTS COMPARISON LISTS

Change of the Suffix Code

- Charger Unit

Suffix Code	Reasons of change
A to B	To share with other models, so that there is no change in the replacement parts list.

Serial No.Label tells you the suffix code as follows

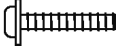
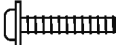


(for KX-TCD510AXM/KX-TCA151AXM)

Ref. No.	Part No.		Part Name & Description	Pcs/ Set	Remarks	Notes	Time of Change (Suffix)
	Original (Old)	New					
BASE UNIT							
IC1	PQVILM1117MP	C0CBAYF00016	IC	1	-	8 V	-
IC8	C0JBAE000255	C0JBAE000352	IC	1	-	8 V	-
Q4	2SA1625	B1ACGP000007	Transistor (Si)	1	-	8 V	-
D3	PQVDS1ZB60F1	B0EDER000009	Diode (Si)	1	-	8 V	-
CN1	PQJJ1TB26Z	K2LB1YYB0001	Jack	1	-	8 V	-
CN2	PQJJ1B4Y	K2EZ2B000044	Jack	1	-	8 V	-
CN4	L0DACA000016	K2DACA000024	Buzzer	1	-	8 V	-
A	XTW26+12P	PQHV2612PJ65	Screw	2	-	8 V	-
F	XTW26+12P	PQHV2612PJ65	Screw	2	-	8 V	-
HANDSET							
123	PQJC10056Z	PQJC10056X	Battery Terminal C	1	a	4 V	-
PCB100	PQWP1D151AXR	PQWP151AXRR	Main P.C. Board Ass'y (RTL) (for KX-TCA151AXM)	1	-	8 V	-
IC5	C0JBAB000371	C0JBAB000633	IC	1	-	8 V	-
X1	H0D103500002	H0D103500006	Crystal Oscillator	1	-	8 V	-
B	XTB2+10G	XTB2+10GFJ	Screw	2	-	8 V	-
C	XTB2+8G	XTB2+8GFJ	Screw	1	-	8 V	-
D	XTB2+8G	XTB2+8GFJ	Screw	2	-	8 V	-
CHARGER UNIT							
1	PQLV30018ZM1	PQLV30018ZMR	Charger Unit	1	-	8 V	-
1-6	PQMH10426Z	PQMH10426Y	Weight	1	-	8 V	-
J1	PQJJ1B4Y	K2EZ2B000044	Jack	1	-	8 V	-
E	XTW26+14P	XTW26+14PFJ7	Screw	2	-	8 V	-
ACCESSORIES AND PACKING MATERIALS (KX-TCD510AXM)							
A1	PQLV19BXZ	PQLV19BXY	AC Adaptor Δ	1	-	8 V	-
A6	PQQW12846W	-----	Leaflet, Recharge	0	-	6 V	-
ACCESSORIES AND PACKING MATERIALS (KX-TCA151AXM)							
A1	PQLV200BXZ	PQLV200BXY	AC Adaptor Δ	1	-	8 V	-
A4	PQQW12846W	-----	Leaflet, Recharge	0	-	6 V	-




2 CORRECTION

2.1. CABINET AND ELECTRICAL PARTS LOCATION (BASE UNIT) (Changed from original section 31 CABINET AND ELECTRICAL PARTS LOCATION (BASE UNIT))

Ref.No.	Part No.	Figure
A	XTW26+12P	
	PQHV2612PJ65	$\phi 2.6 \times 12\text{mm}$
F	XTW26+12P	
	PQHV2612PJ65	$\phi 2.6 \times 12\text{mm}$

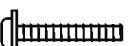
Arrows labeled "Addition" point to the new part numbers in the second and fourth rows.

2.2. CABINET AND ELECTRICAL PARTS LOCATION (HANDSET) (Changed from original section 32 CABINET AND ELECTRICAL PARTS LOCATION (HANDSET))

Ref.No.	Part No.	Figure
B	XTB2+10G	
	XTB2+10GFJ	$\phi 2 \times 10\text{mm}$
C	XTB2+8G	
	XTB2+8GFJ	$\phi 2 \times 8\text{mm}$
D	XTB2+8G	
	XTB2+8GFJ	$\phi 2 \times 8\text{mm}$

Arrows labeled "Addition" point to the new part numbers in the second, third, and fourth rows.

2.3. CABINET AND ELECTRICAL PARTS LOCATION (CHARGER UNIT) (Changed from original section 33 CABINET AND ELECTRICAL PARTS LOCATION (CHARGER UNIT))

Ref.No.	Part No.	Figure
E	XTW26+14P	
	XTW26+14PFJ7	$\phi 2.6 \times 14\text{mm}$

An arrow labeled "Addition" points to the new part number in the second row.