

Service Manual

Telephone Equipment

KX-TC1282JXB

Cordless Answering System

Black Version

(for Asia, Middle Near East and Other areas)

Supplement-1

Please file and use this supplement manual together with the service manual for Model No. KX-TC1282JXB, Order No. KM40201814C3.

WARNING

This service information is designed for experienced repair technicians only and is not designed for use by the general public. It does not contain warnings or cautions to advise non-technical individuals of potential dangers in attempting to service a product. Products powered by electricity should be serviced or repaired only by experienced professional technicians. Any attempt to service or repair the product or products dealt with in this service information by anyone else could result in serious injury or death.

1 REPLACEMENT PARTS LIST

1.1. REFERENCE CHART

Reason for Change	
The following items (1-8) indicate the reason for change. See the "Notes" column for each part in ORIGINAL AND NEW PARTS COMPARISON LISTS.	
1. Improve performance	Notes: Parts with *1 marking has been changed at the same time. Parts with *2 marking has been changed at the same time. Remarks: a. To share with other models. b. For Bell sound. c. To volume up handset microphone for Factory.
2. Change of material or dimension	
3. To meet approved specification	
4. Standardization	
5. Addition	
6. Deletion	
7. Correction	
8. Other	

Interchangeability Code								
The following items (V-Z) indicate the Interchangeability. See the "Notes" column for each part in ORIGINAL AND NEW PARTS COMPARISON LISTS.								
V	<table border="0"> <tr> <td>Original</td> <td>↔</td> <td>Early (before change)</td> </tr> <tr> <td>New</td> <td>↔</td> <td>Late (after change)</td> </tr> </table>	Original	↔	Early (before change)	New	↔	Late (after change)	Original or new parts may be used in early or late production sets. Use original parts until exhausted, then stock new parts.
Original	↔	Early (before change)						
New	↔	Late (after change)						
W	<table border="0"> <tr> <td>Original</td> <td>↗</td> <td>Early (before change)</td> </tr> <tr> <td>New</td> <td>↘</td> <td>Late (after change)</td> </tr> </table>	Original	↗	Early (before change)	New	↘	Late (after change)	Original parts may be used in early production sets only. New parts may be used in early or late production sets. Use original parts where possible, then stock new parts.
Original	↗	Early (before change)						
New	↘	Late (after change)						
X	<table border="0"> <tr> <td>Original</td> <td>↗</td> <td>Early (before change)</td> </tr> <tr> <td>New</td> <td>→</td> <td>Late (after change)</td> </tr> </table>	Original	↗	Early (before change)	New	→	Late (after change)	New parts only may be used in early or late production sets. Stock new parts.
Original	↗	Early (before change)						
New	→	Late (after change)						
Y	<table border="0"> <tr> <td>Original</td> <td>→</td> <td>Early (before change)</td> </tr> <tr> <td>New</td> <td>→</td> <td>Late (after change)</td> </tr> </table>	Original	→	Early (before change)	New	→	Late (after change)	Original parts may be used in early production sets only. New parts may be used in late production sets only. Stock both original and new parts.
Original	→	Early (before change)						
New	→	Late (after change)						
Z	Other							

Note:
 Alphabets in the "Remarks" column in the following lists correspond to the alphabets in the "Remarks" in REFERENCE CHART.

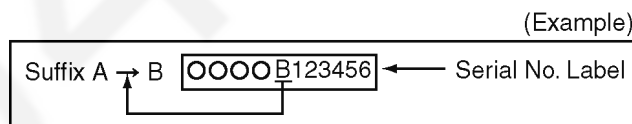
1.2. ORIGINAL AND NEW PARTS COMPARISON LIST

Change of the Suffix Code

- For Base Unit

Suffix Code	Reasons of change
A→B	IC301 has been changed in the original service manual to share with other models.
B→C	To share with other models.
C→D	To share with other models.

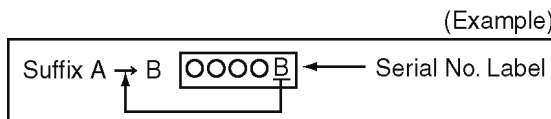
Serial No.Label tells you the suffix code as follows



- For Handset

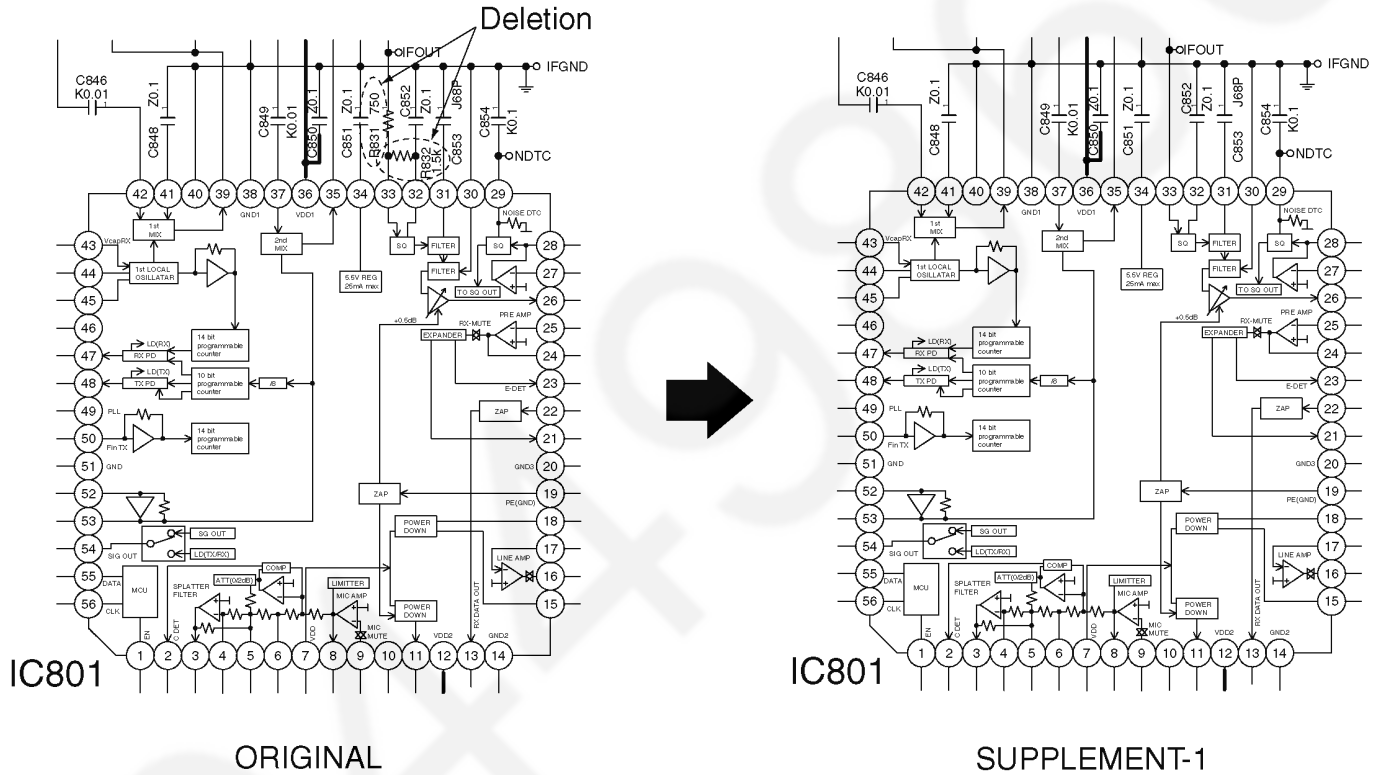
Suffix Code	Reasons of change
A→B	For Bell sound.

Serial No.Label tells you the suffix code as follows



Ref. No.	Part No.		Part Name & Description	Pcs/Set	Remarks	Notes	Time of Change (Suffix)
	Original (Old)	New					
BASE UNIT							
IC301	C2HBBH000040	C2HBBH000046	IC	1	a	4 V	B→C
	C2HBBH000046	C2HBBH000055					C→D
HANDSET							
103	PQGP10189Z1	PQGP10222Z1	LCD Panel	1	a	4 V	-
109	PQHX11034Z	PQHX11034R	Pet Sheet	1	a	4 X	-
R708	ERJ3GEYJ4R7	ERJ3GEYJ270	Resistor, 27Ω	*1	1	b	A→B
R710	PQ4R10XJ120	PQ4R10XJ000	Resistor, 0Ω	*1	1	b	A→B
R831	ERJ3GEYJ751	-----	Resistor, 750Ω	*2	0	a	-
R832	ERJ3GEYJ152	-----	Resistor, 1.5kΩ	*2	0	a	-
R903	ERJ3GEYJ184	ERJ3GEYJ154	Resistor, 150kΩ	1	c	1 X	-

1.3. SCHEMATIC DIAGRAM (HANDSET)



1.4. CIRCUIT BOARD (HANDSET)

(Component View)

