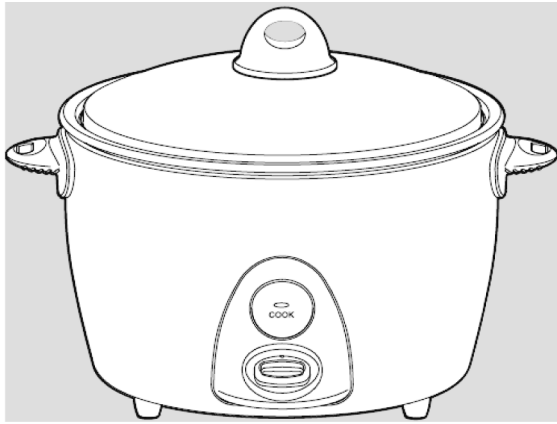


Service Manual

Automatic Rice Cooker

Model No. **SR-G06**
SR-G06G
SR-G06FG

Destination INDIA (SR-G06)
 HONGKONG (SR-G06G/SR-G06FG)
 USA-CANADA (SR-G06FG)



⚠ WARNING

This service information is designed for experienced repair technicians only and is not designed for use by the general public. It does not contain warnings or cautions to advise non-technical individuals of potential dangers in attempting to service a product. Products powered by electricity should be serviced or repaired only by experienced professional technicians. Any attempt to service or repair the product or products dealt with in this service information by anyone else could result in serious injury or death.

IMPORTANT SAFETY NOTICE

There are special components used in this equipment which are important for safety. These parts are marked by ⚠ in the Schematic Diagrams, Circuit Board Diagrams, Exploded Views and Replacement Parts List. It is essential that these critical parts should be replaced with manufacturer's specified parts to prevent shock, fire or other hazards. Do not modify the original design without permission of manufacturer.

TABLE OF CONTENTS

	PAGE		PAGE
1 Safety Precautions -----	2	8.1. Model No : SR-G06 (INDIA)-----	13
2 Specifications -----	5	8.2. Model No : SR-G06G (WSDN/LSDN) (HONGKONG)-----	16
3 Location of Controls and Components -----	6	8.3. Model No : SR-G06FG (LSDN) (HONGKONG)-----	19
4 Operating Instructions -----	7	8.4. Model No : SR-G06FG (LVAN) (USA- CANADA) -----	22
4.1. How to Cook -----	7		
4.2. How to Clean -----	8		
5 Test Mode -----	9		
5.1. Bubbling Test -----	9		
5.2. Evaporation Test-----	9		
5.3. Switch Lever (Auxiliary Lever Adjustment)-----	10		
6 Troubleshooting Guide -----	11		
7 Schematic Diagram -----	12		
7.1. Schematic Diagram - Model No. SR-G06 (INDIA) & SR-G06G (WSDN/LSDN) /SR- G06FG (LSDN) - (HONGKONG)-----	12		
7.2. Schematic Diagram - Model No. SR-G06FG (LVAN) (USA-CANADA) -----	12		
8 Exploded View and Replacement Parts List -----	13		

Panasonic

© Panasonic Corporation 2016 Unauthorized copying and distribution is a violation of law.

1 Safety Precautions

IMPORTANT SAFEGUARDS

When using electrical appliances, basic safety precautions should always be followed including the following:

1. Read all instructions.
2. Do not touch hot surfaces. Use handles or knobs.
3. To protect against electrical hazards, do not immerse cord, plugs, and Rice Cooker, except lid and pan, in water or other liquid.
4. Close supervision is necessary when any appliance is used by or near children.
5. Unplug from outlet when not in use and before cleaning. Allow to cool before putting on or taking off parts.
6. Do not operate any appliance with a damaged cord or plug or after the appliance malfunctions, or has been damaged in any manner. Return appliance to the nearest authorized service facility for examination, repair, or adjustment.
7. The use of accessory attachments not recommended by the appliance manufacturer may cause injuries.
8. Do not use outdoors.
9. Do not let cord hang over edge of table or counter, or touch hot surfaces.
10. Do not place on or near a hot gas or electric burner, or in a heated oven.
11. Extreme caution must be used when moving an appliance containing hot oil or other hot liquids.
12. Always attach plug to appliance first, then plug cord into the wall outlet. To disconnect, turn any control to "off", then remove plug from wall outlet.
13. Do not use appliance for other than intended use.

14. SAVE THESE INSTRUCTIONS

This product is intended for household use.

NOTE

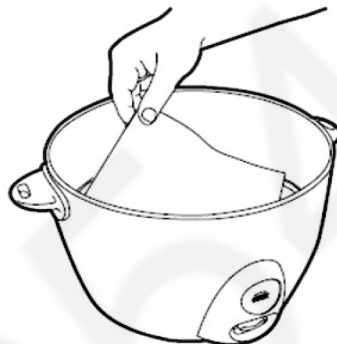
- A. A short power-supply cord (or cord set) is provided to reduce the hazards resulting from becoming entangled in or tripping over a longer cord.
- B. Longer cord set or extension cords are available and may be used if care is exercised in their use.
- C. If a long cord set or extension cord is used,
 - (1) the marked electrical rating of the cord set or extension cord should be at least as great as the electrical rating of the appliance.
 - (2) if the appliance is of the grounded type, the extension cord should be a grounding-type three-wire cord, and
 - (3) the longer cord should be arranged so that it will not drape over the countertop or tabletop where it can be pulled on by children or tripped over accidentally.

This appliance has a polarized plug: (one blade is wider than the other). As a safety feature, this plug will fit in a polarized outlet only one way. If it still does not fit, contact a qualified electrician. Do not attempt to defeat this safety feature. It's Only for (USA-CANADA).

Cautions

To prevent the risk of fire, electric shock, or personal injury, observe the following instructions.

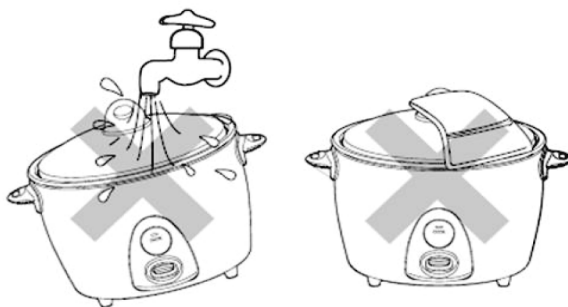
Before use, remove the paper located between the cast heater and the pan. Be sure to keep the rice cooker out of the reach of children especially when cooking rice.



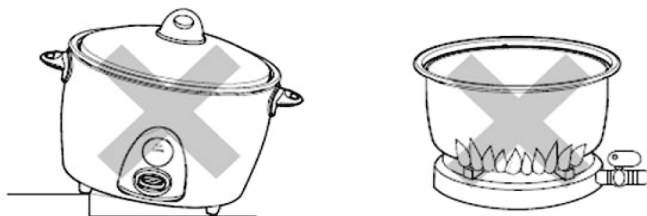
Always keep the outside bottom of the pan and the cast heater clean and dry. Any foreign matter found should be removed immediately.



Avoid exposing the rice cooker to water or placing the rice cooker near water supply. The rice cooker should not be covered with cloth or any object while in use.

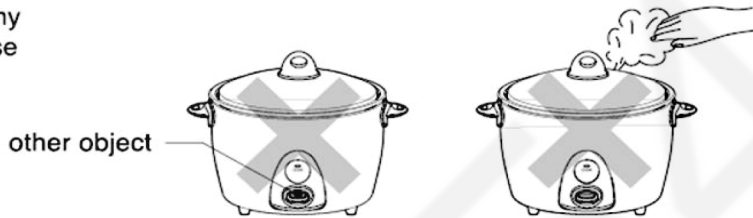


The rice cooker should not be placed on uneven surface. Do not use the pan directly on an open flame.



Cautions : To prevent the risk of fire, electric shock, or personal injury, observe the following instructions.

If the indicator light does not turn on while pressing the switch, do not place any object on the switch, as it may cause the rice cooker to malfunction. The problem should be corrected by a qualified electrician. Be careful of the steam when the rice cooker is being used.



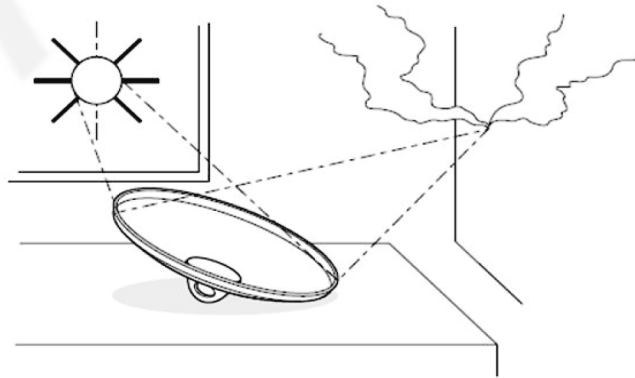
Do not damage the power cord and do not attempt to repair it if it is damaged. Consult your nearest authorized service facility for repair the cord of plug. Ensure that the plug fits all the way into the wall outlet.



Prevent ants or insects getting in the rice cooker, as they may cause the rice cooker to malfunction.

Do not substitute the pan with other container, as it will cause the rice cooker to malfunction. Only the pan included with the rice cooker should be used.

Do not leave the lid overturned in a place where it can reflect the sunlight. This may cause damage to walls or furniture.



Do not apply force onto the center of pan. It will be damaged.

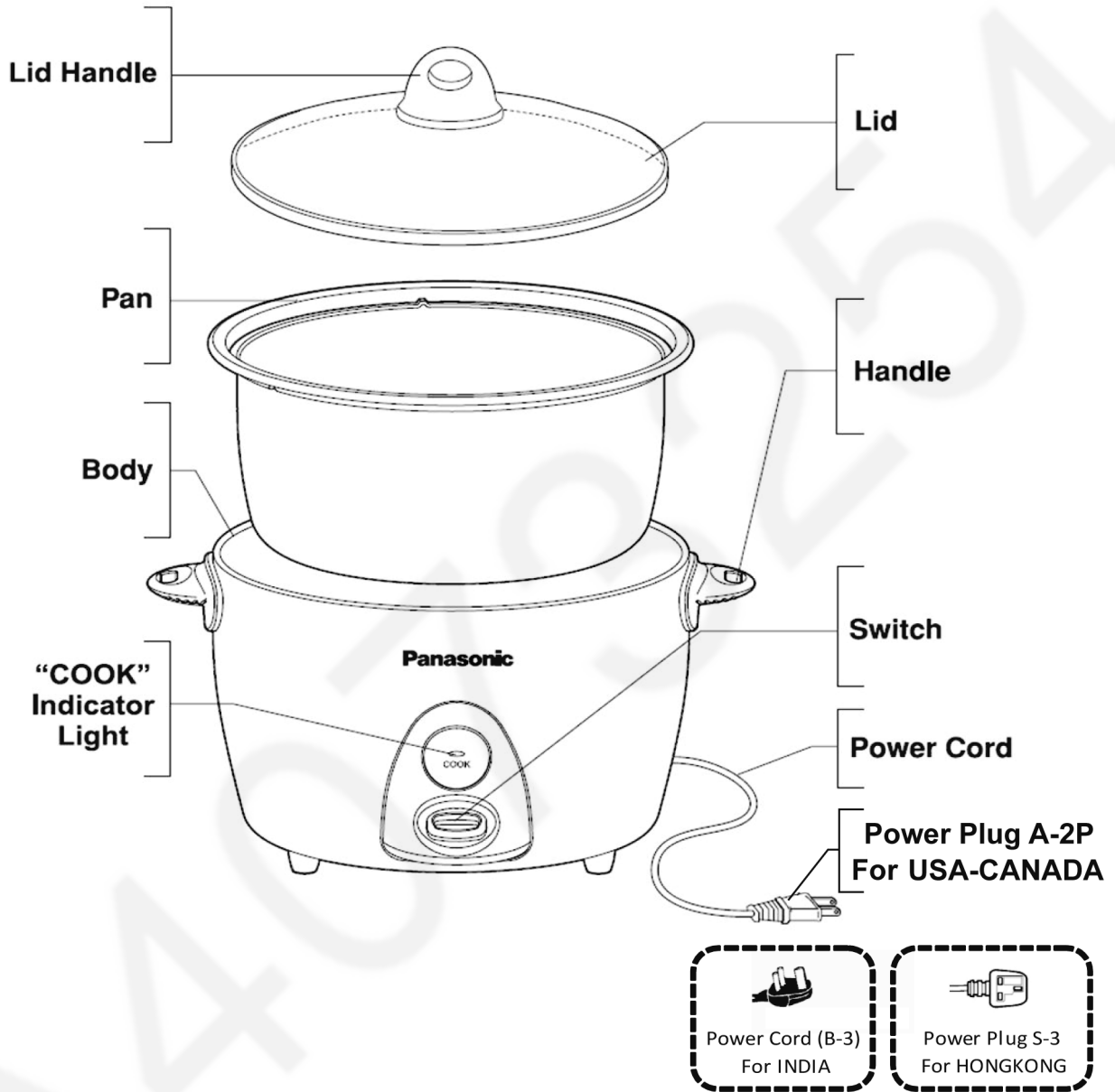


2 Specifications

Model No.	SR-G06	SR-G06G	SR-G06FG	SR-G06FG
Country	INDIA	HONGKONG - (WSDN/LSDN)	HONGKONG - (LSDN)	USA/CANADA - (LVAN)
Rated Voltage	230V~50Hz	220V~50Hz	220V~50Hz	120V~60Hz
Power Consumption	300W	300W	300W	310W
Cooking Capacity	1-2 Cups (0.18 - 0.6L)	1 - 3 Cups (0.18 - 0.6L)	1 - 3 Cups (0.18 - 0.6L)	1 - 3 Cups (0.18 - 0.6L)
Gross Weight (Approx.)	1.8 Kg	1.75 Kg	1.8 Kg	1.8 Kg
Dimensions (LxWxH)	(235x235x190) mm	(235x235x190) mm	(235x235x190) mm	(235x230x185) mm
Power Cord Length (approx.)	1.0 m	1.0 m	1.0 m	1.0 m
Power Cord Plug Type	B-3	S-3	S-3	A-2P

3 Location of Controls and Components

Parts Identification



Accessories



Measuring Cup
(Approximately 180 mL)

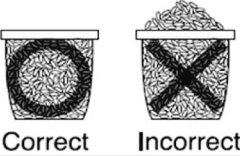
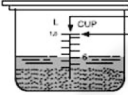
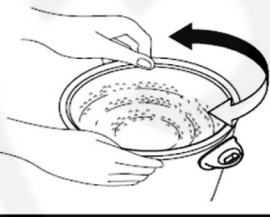

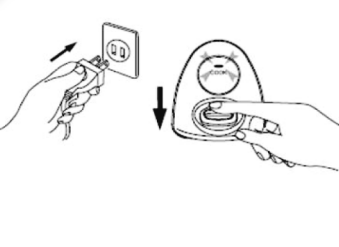
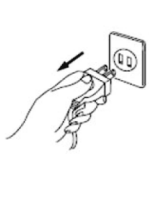


Scoop
Not Applicable For
SR-G06G (HONGKONG)

4 Operating Instructions

4.1. How to Cook

How to cook

<p>1 Measure rice with the measuring cup provided. Then rinse the rice thoroughly using other container.</p>	 <p>Correct Incorrect</p>	
<p>2 Put the rinsed rice in the pan and add water according to the scales shown in the table below.</p>	<div style="border: 1px solid black; padding: 5px;"> <p style="text-align: center;">Scales by Graduations on the Pan</p> <p>Example: To cook 6 cups of rice, add water up to the Graduation "6".</p>  <p>Level Indicator Maximum level. Do not cook with more than this level of water.</p> <p>Note : Capacity (liter) varies according to the size of each models.</p> </div>	<ul style="list-style-type: none"> ■ Adjust the quantity of water to your personal taste. ■ Soak rice in water at least for 30 minutes.
<p>3 Place the pan into the body. Make sure the pan is directly in contact with the cast heater by turning it slightly from right to left until it settles properly.</p>		<ul style="list-style-type: none"> ■ Wipe the surface of the pan before use. If it is wet, it may cause noise while cooking. Any foreign matter between the pan and cast heater may damage the unit.
<p>4 Close the lid firmly.</p>		<ul style="list-style-type: none"> ■ If lid is not securely closed, cooking will be affected. ■ Do not open the lid when in use.
<p>5 Plug in and press the switch. The light indicating "COOK" will be on. The cooking will start immediately.</p>		<ul style="list-style-type: none"> ■ Do not plug in the unit until you are ready to cook. Otherwise, rice may be ruined. ■ If the pan is not in the unit, cooking will not begin.
<p>6 Unplug.</p>		

4.2. How to Clean

How to clean

Caution : Make sure the rice cooker is sufficiently cooled down before cleaning.

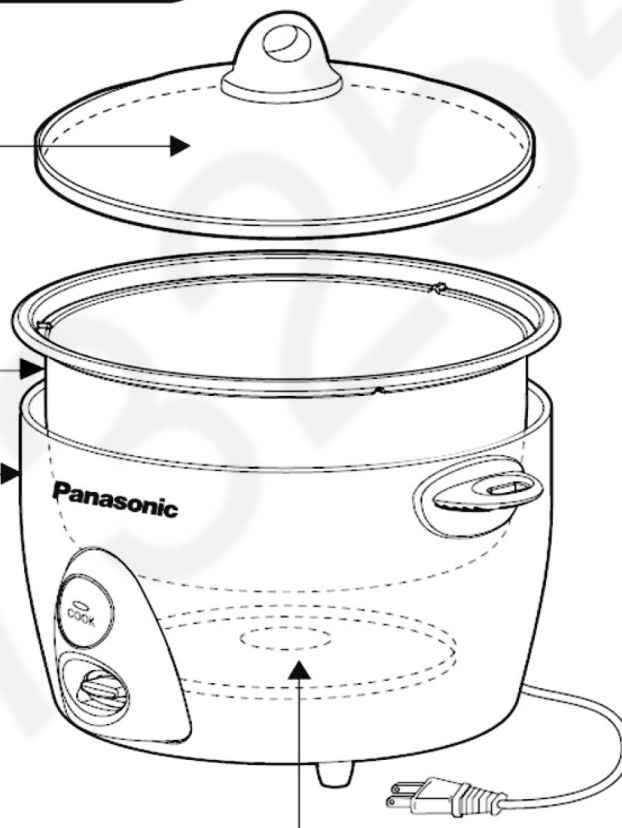
Unplug before cleaning. Check if there is any dirt sticking on the power plug and power cord. The dirt should be removed immediately. Do not use benzine or thinner in wiping and cleaning the rice cooker.

Lid / Pan

Soak the lid and pan with warm water and wash with a sponge. Do not use scrubbers in cleaning.

Body

Wipe with a damp cloth. Do not immerse the body in water.



Cast Heater

When cast heater is cooled down remove any food debris that sticks to the bottom of the inner pan. this debris may cause the unit to malfunction and possibly damage the unit.

Accessories



Measuring Cup



Scoop

Always wash with dishwashing liquid and sponge after use.

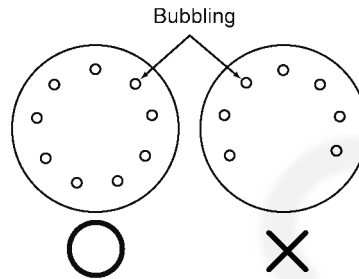
5 Test Mode

Judging Method of Defective Parts

5.1. Bubbling Test

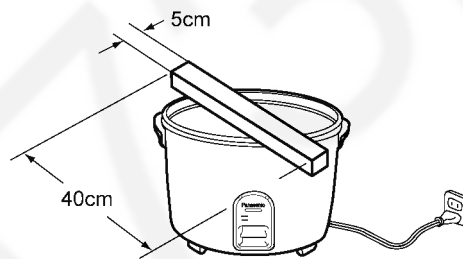
Put the pan in the cooker body and turn it lightly right-and-leftwards in order to allow the pan to properly contact the heating plate.

1. Put water in the pan to barely cover the center of the pan bottom, and turn on the cooking switch after the lid is placed.
2. When water has started boiling to issue steam, remove the lid and check the bubbling condition of the pan bottom immediately.
3. If bubbling takes place uniformly around the circumference of the pan bottom as shown in the figure, the cooker is considered free from trouble. However, if more than 1/4 of the pan circumference is not bubbling as shown in the righthand figure, the cooker is considered defective. Since the cause for this defect lies in poor contact of the pan bottom with the cooking heater, check if no foreign matter exists on the pan bottom or the cooking heater and if foreign matter is found, remove it or replace the parts.



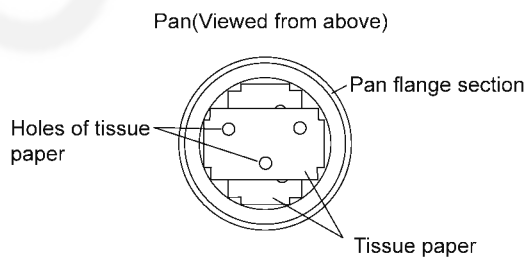
5.2. Evaporation Test

1. After satisfactory bubbling is confirmed, remove the lid and put a weight on the cooker.



Caution: To prevent heat distortion of plastic parts due to steam, be sure to fully open the lid.

2. Cover the entire pan bottom with 2 or 3 pieces of tissue paper (or gauze), and turn on the switch subsequently.



Caution: To prevent the tissue paper from being lifted by bubbling, make some holes in the paper beforehand.

3. The cooker is considered acceptable if the timing when steam generation comes to a stop after water of the pan bottom has evaporated, is within 1 minute before and after the cooking switch is turned off.

If these requirements are not satisfied, check the center thermostat as well as the contacted condition between the pan bottom and the cast heater, and then repair or replace the parts.

5.3. Switch Lever (Auxiliary Lever Adjustment)

The cooking switch turns on and off the micro-switch by means of a switch lever, utilizing the mechanical up/down movements of the center thermostat. Therefore, check this function in the following procedure.

5.3.1. Checking of Cooking Switch

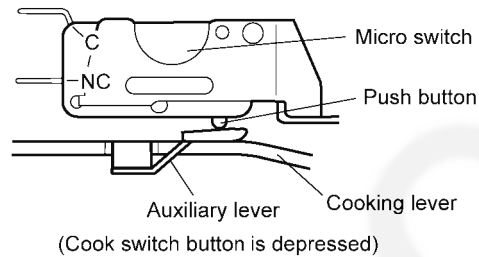
Put the pan in the body and plug in the cooker through a wattmeter.

1. When the cooking switch is turned on, the rated power consumption for cooking should be indicated on the wattmeter.
Furthermore, even when the cooking button is moved up and down to such an extent that the cooking switch is not turned off (i.e. even when moved by the lever gap), this rated cooking power should be being consumed.
2. Turning off the cooking switch should indicate "45W" on the wattmeter.

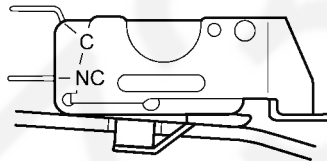
5.3.2. Switch Lever Adjustment

Put the pan in the body.

1. When the cooking switch is on, the auxiliary lever should not be in contact with the push button of micro-switch.



2. When it is off, the auxiliary lever should be in contact with the bottom surface of micro-switch.



Adjust the auxiliary lever by bending its roots section, with a regular screwdriver in such a manner that the above requirements a) and b) are met. Then, check the cooking switch again in accordance with the procedure given in "Checking of Cooking Switch" above.

6 Troubleshooting Guide

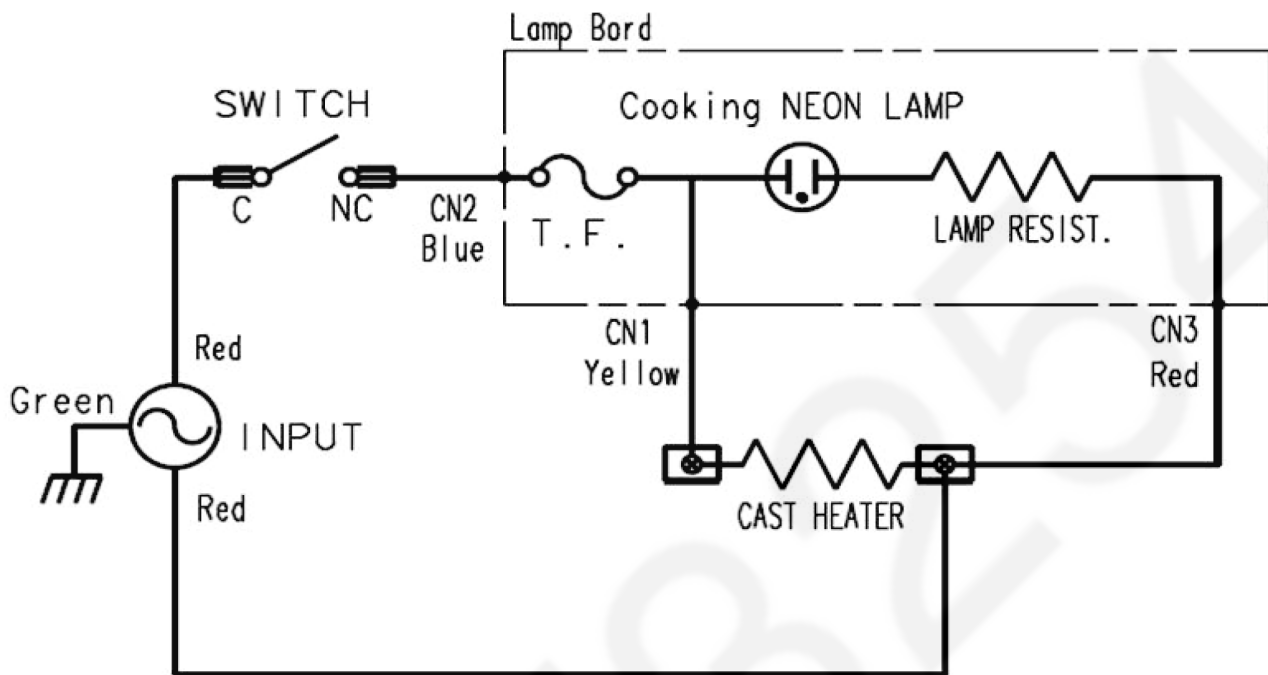
When receiving the cooker to be repaired, always take charge of not only the cooker body but also the pan and the lid, and ask for details as to the symptom of the trouble.

Furthermore, when making troubleshooting of each part, be sure to remove the power plug from the socket.

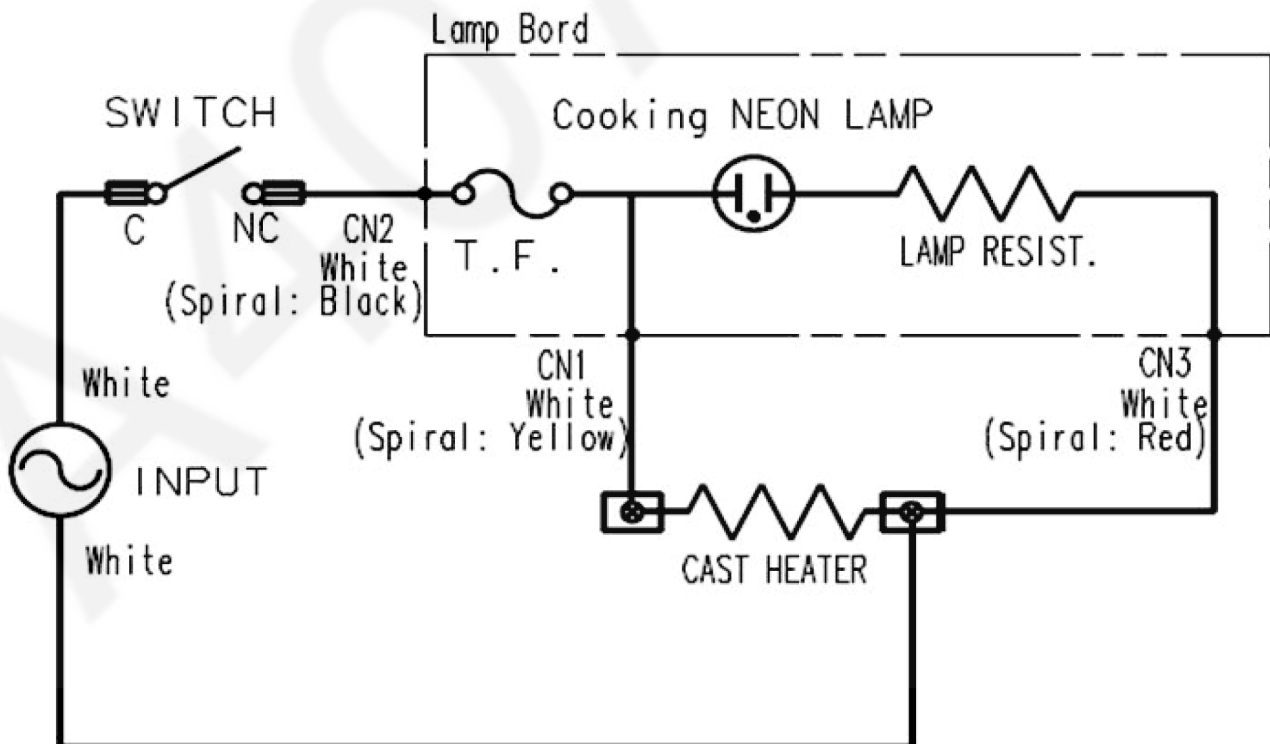
Symptom	Diagnosis	Remedy
- Cooking fails	<p>Neon lamp on?</p> <p>YES → No continuity of cord? YES →</p> <p>NO → No continuity of thermal fuse? YES →</p> <p>NO → No continuity of micro-switch? YES →</p> <p>NO → No continuity of cast heater? YES →</p> <p>NO → Switch lever properly adjusted? NO →</p>	<p>- Replace AC cord.</p> <p>- Locate cause for fusing of thermal fuse and replace Lamp Board Assy.</p> <p>- Replace Frame.</p> <p>- Replace cast heater.</p> <p>- Adjust switch lever.</p>
- Earlier Switching-off - Poor cooking finish (i.e. too hard or soft, half-boiling)	<p>Usage correct? - Too small or large in rice quantity. - Too small or large in water quantity. - Switched off once by hand in cooking process. - Switched off by shocks given in cooking process. - Rice not untiled.</p> <p>NO → Supply voltage low? YES →</p> <p>NO → Pan bottom, center thermostat and cast heater surfaces not fouled or heavily stuck with rice scraps, etc.? YES →</p> <p>NO → Poor contact between pan and cast heater? (Check with bubbling test.) YES →</p> <p>NO → Center thermostat defective? (Check with evaporation test.) YES →</p>	<p>- Explain correct usage</p> <p>- Increase it to proper value.</p> <p>- Remove foreign matter and explain cleaning method.</p> <p>- Replace pan or cast heater.</p> <p>- Replace center thermostat.</p>
- Fusing of thermal fuse.	<p>No continuity of micro-switch (Between C and NC) When cooking switch is off? YES →</p> <p>NO → Usage correct? NO →</p>	<p>- Replace Switch Frame Assy.</p> <p>- Explain correct usage.</p>

7 Schematic Diagram

7.1. Schematic Diagram - Model No. SR-G06 (INDIA) & SR-G06G (WSDN/ LSDN) /SR-G06FG (LSDN) - (HONGKONG)



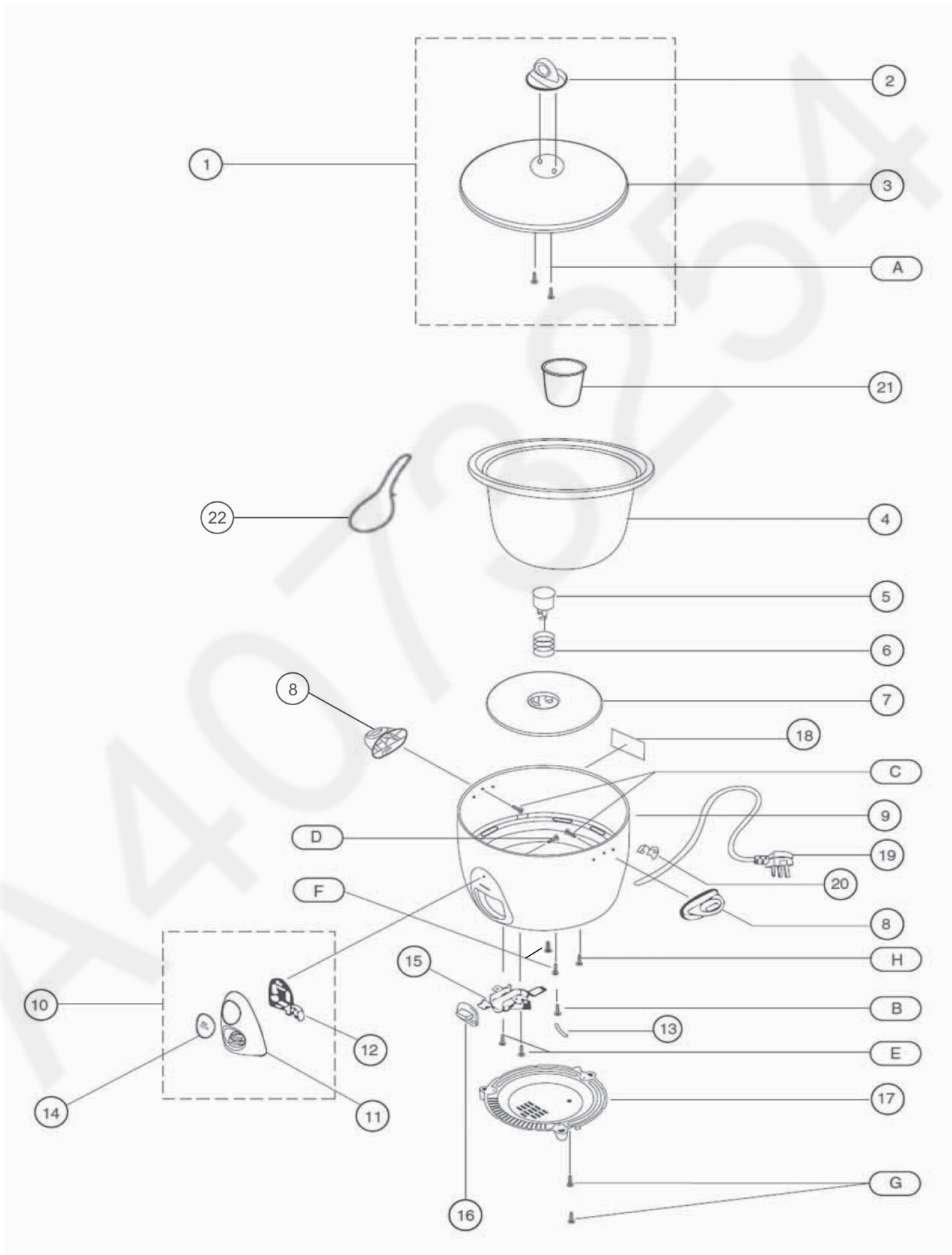
7.2. Schematic Diagram - Model No. SR-G06FG (LVAN) (USA-CANADA)



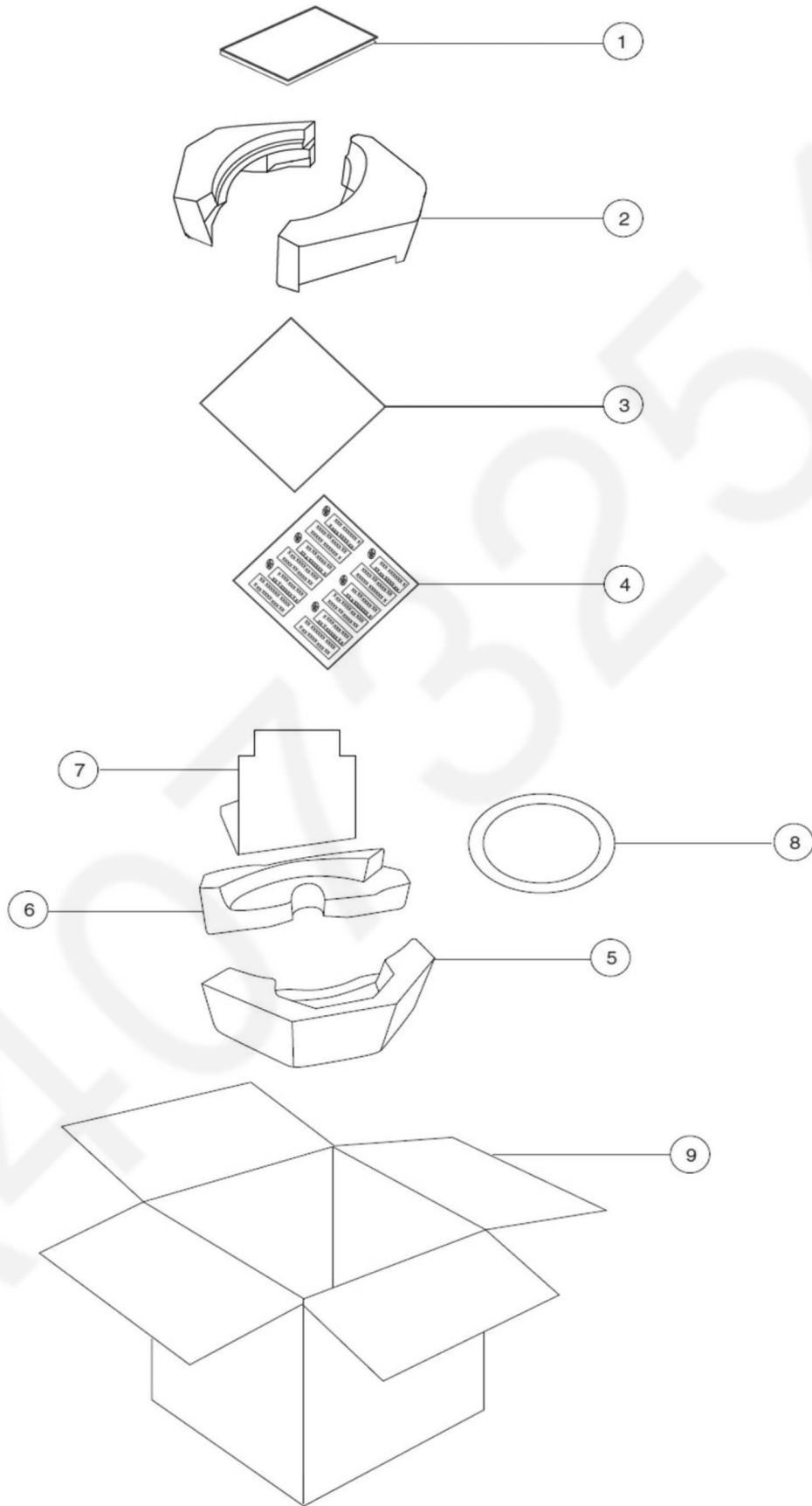
8 Exploded View and Replacement Parts List

8.1. Model No : SR-G06 (INDIA)

8.1.1. Exploded View



8.1.2. Packing Specification : Model No. SR-G06 (INDIA)



8.1.3. Replacement Parts List

Notes : Important safety notice

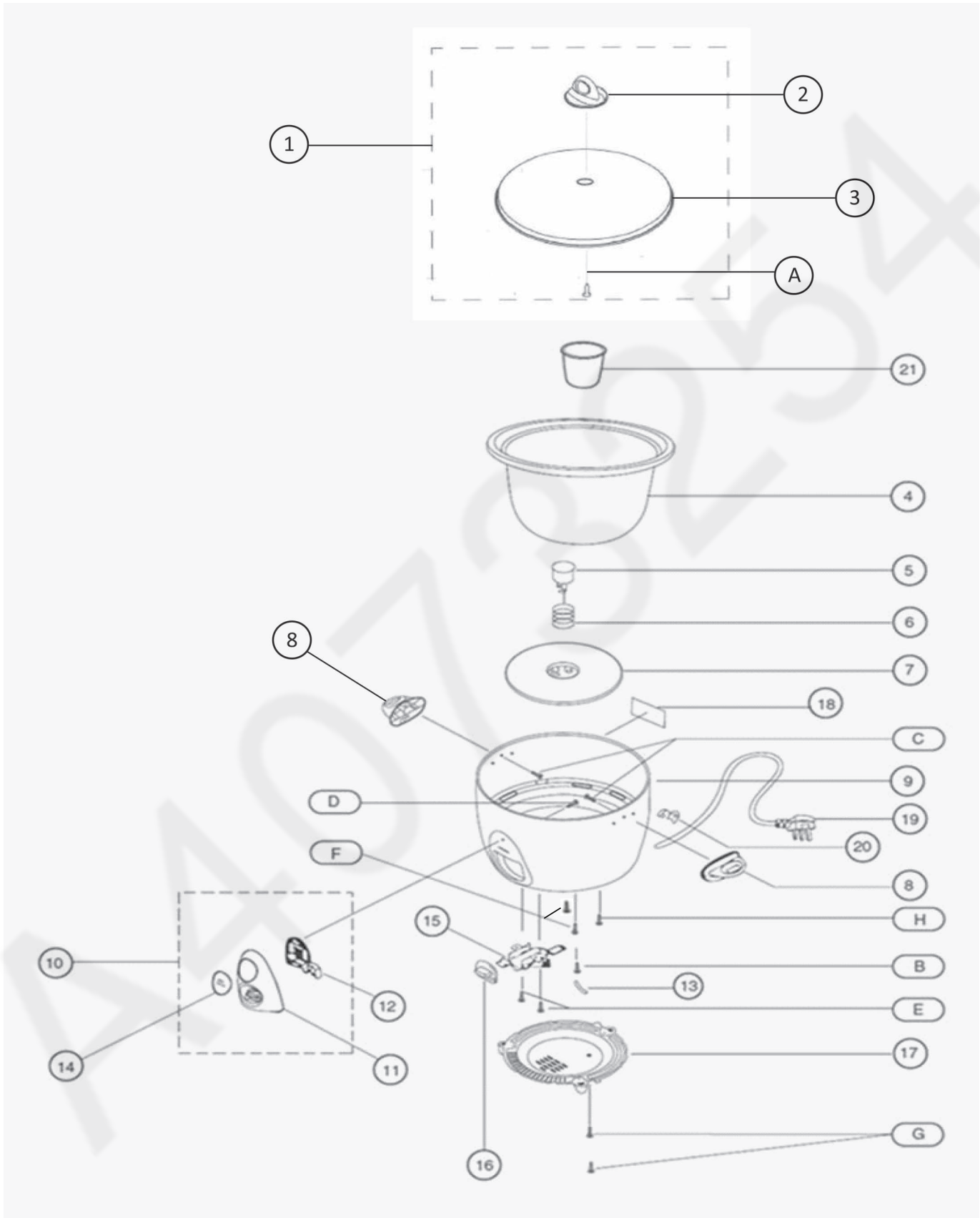
- Components identified by Δ mark have special characteristics important for safety.
- When replacing any of these components use only manufacturer's specified parts.

MODEL No : SR-G06 (INDIA)

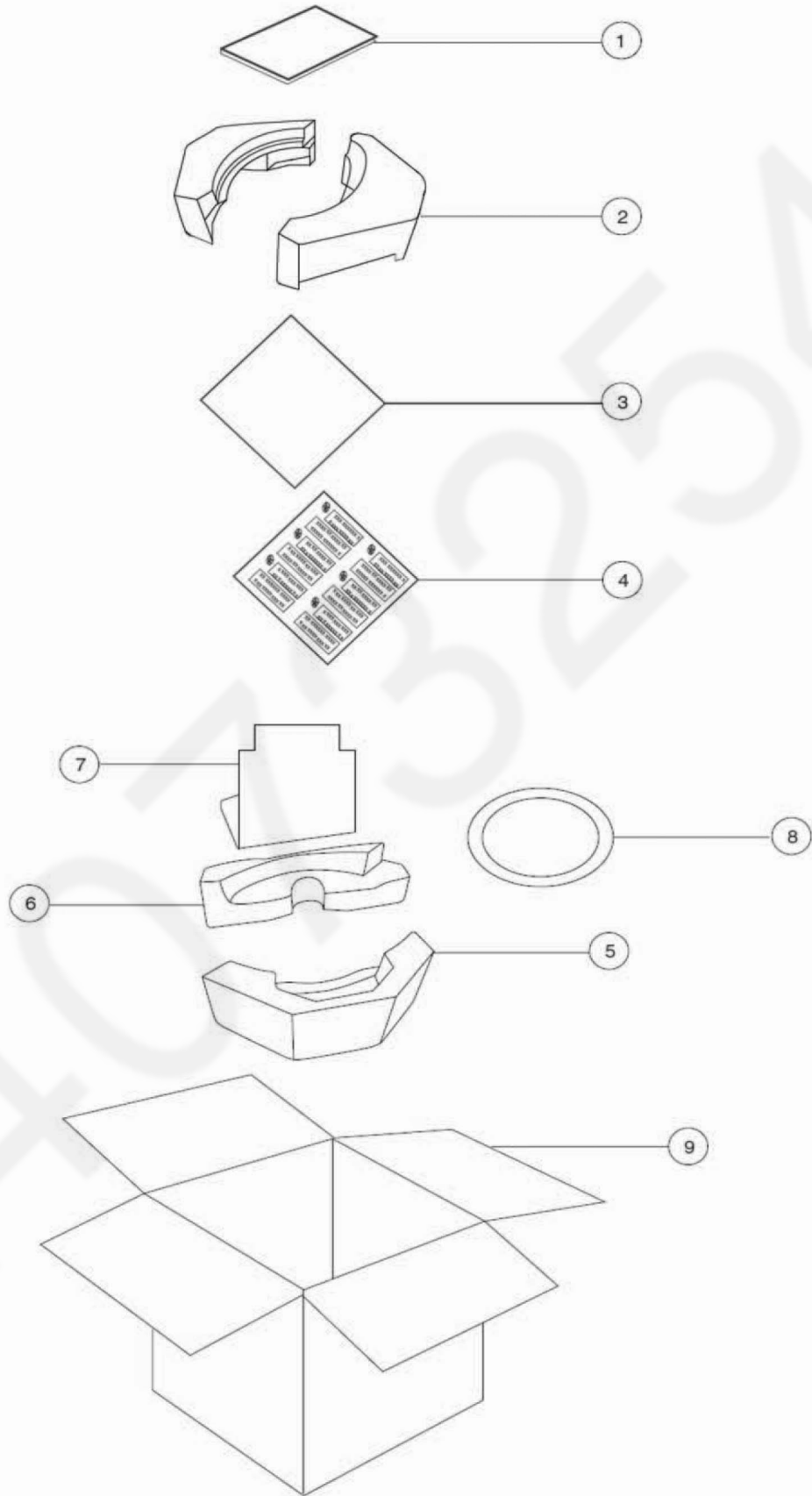
Safety	Ref. No.	Part No.	Part Name & Description	Pcs/Set	Remarks
				230V	
				SR-G06 (INDIA)	
< PARTS LIST >					
	1	AQB01-619-W9U	Lid Ass'ly	1	
	2	AQB02-619-W9	Lid Knob	1	
	3	AQB01-619	Lid	1	SUS 430BA t - 0.3MM
	4	AQE50-619	Pan	1	A3004-0 t-0.8
Δ	5	AQS00T270C00U	Center thermostat	1	134C
	6	AQS61T272100U	Outer Spring	1	
Δ	7	AQL20-619-00U	CastHeater Ass'ly	1	
	8	AQE30-619-W9	Handle	2	
	9	AQE13-619-BPU	Body Comp.	1	For Metallic Blue
	9	AQE13-619-GZU	Body Comp.	1	For Apple Green
Δ	10	AQN00-619-W9U	Switch Assy.	1	
	11	AQN10-619-W9	Switch panel	1	
Δ	12	AQN85-619-00U	lamp board assy	1	
	13	AQL65-619	Vinyl Tie	1	
	14	AQN20-619-W9	Decorative panel	1	
	15	AQN60-619-W9U	Frame Complete	1	
	16	AQN31-619-W9	Switch button	1	
	17	AQH20-619-W9U	Bottom Plate Assly	1	
Δ	18	AQY50-619-BP	Name Plate	1	For Metallic Blue
Δ	18	AQY50-619-GZ	Name Plate	1	For Apple Green
Δ	19	AQQ00-619-00U	Power Cord Assly	1	B-3 Type
	20	SR577Y120-K	Cord Bushing	1	
	21	AQK00D100	Measuring Cup	1	
	22	ASR79W281AK	Scoop	1	
< SCREW >					
	A	XTN4+10BVW	Tapping screw	2	For SUS Lid Assy.
	B	XYN4+C10FNS	Sems Screw	1	For Cast Heater
	C	XTN4+10BFJ	Screw	2	For Handle
	D	XTN4+8BFJ	Screw	1	For Switch Assly
	E	XTN4+6FFJ	Screw	2	For Switch Frame
	F	XYN4+C7FNS	Sems Screw	2	For internal wiring
	G	PK52-4871	Tapping Screw	2	For Bottom Plate
	H	XYC4+CF6FJ	Sems Tapping Screw	1	For Earth Wire
< PACKING SPECIFICATIONS >					
Δ	1	AQY00-619	Operating Instructions	1	
	2	AQZ11-619	Upper pad	2	
	3	AQZ75-619	Plastic sheet	1	
	4	AQZ33-619	Cast heater paper	1	
	5	AQZ12-619	Lower Pad A	1	
	6	AQZ13-619	Lower Pad B	1	
	7	AQZ16-619	Cord Protector	1	
	8	AQZ43-619	Pan protecting pad	1	
	9	AQZ01-619-BP	Packing Case	1	For Metallic Blue
	9	AQZ01-619-GZ	Packing Case	1	For Apple Green

8.2. Model No : SR-G06G (WSDN/LSDN) (HONGKONG)

8.2.1. Exploded View



8.2.2. Packing Specification : Model No. SR-G06G (WSDN/LSDN) (HONGKONG)



8.2.3. Replacement Parts List

Notes : Important safety notice

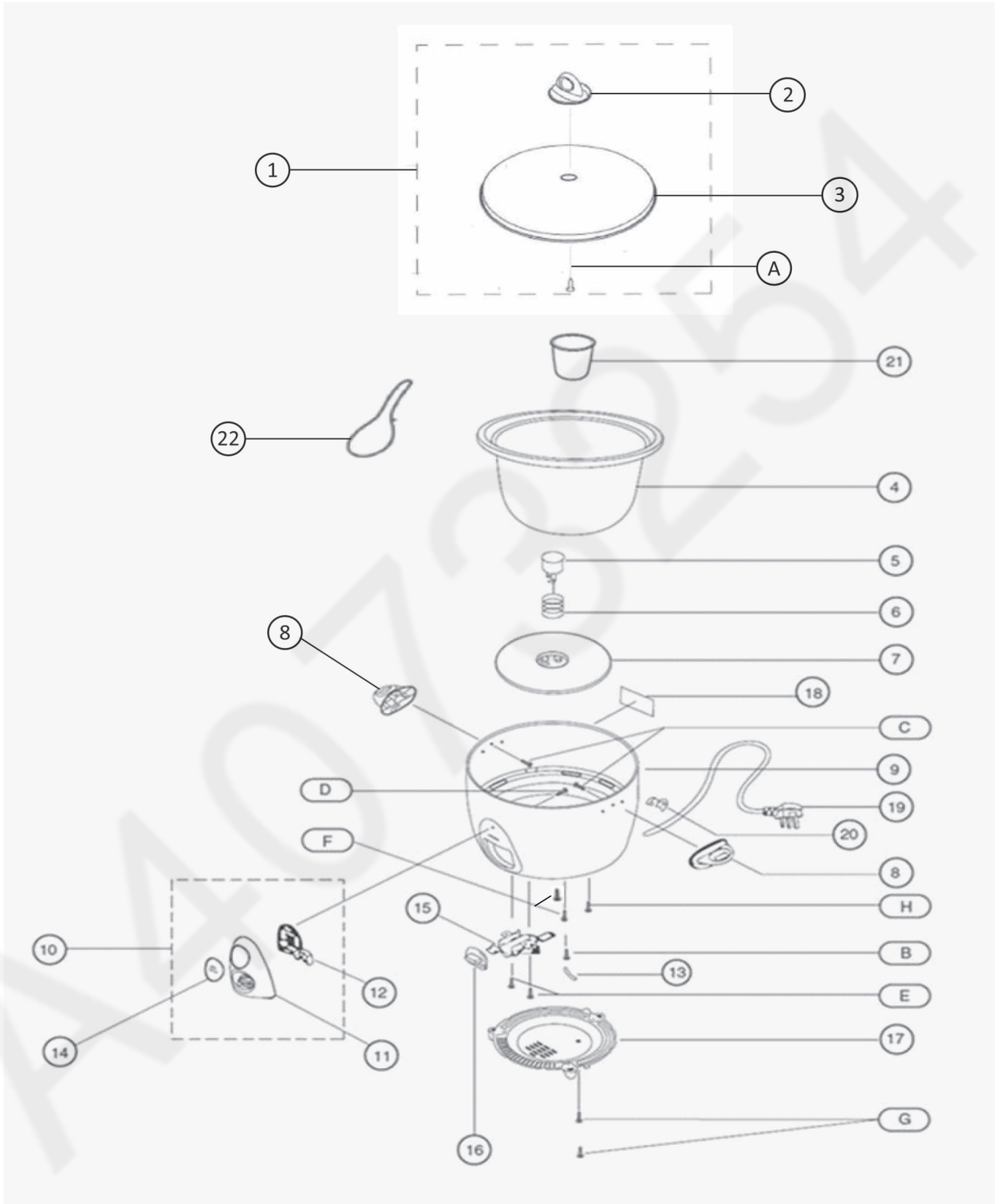
- Components identified by \triangle mark have special characteristics important for safety.
- When replacing any of these components use only manufacturer's specified parts.

MODEL No : SR-G06G (WSDN/LSDN) (HONGKONG)

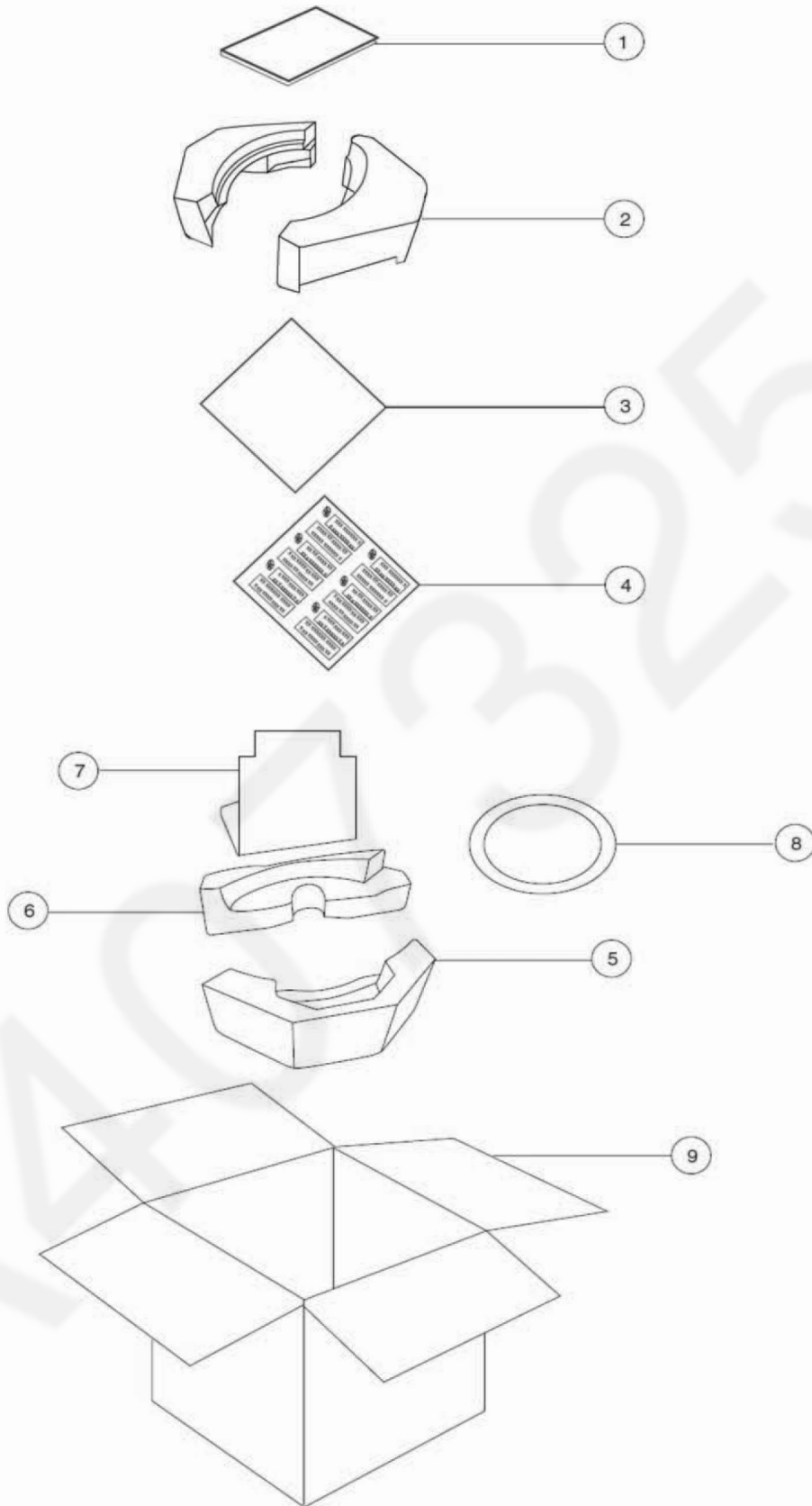
Safety	Ref. No.	Part No.	Part Name & Description	Pcs/Set	Remarks
				220V	
				SR-G06G (WSDN/LSDN) (HONGKONG)	
< PARTS LIST >					
	1	AQB01H619-W9U	Lid Ass'ly	1	For White+FD
	1	AQB01H619-LHU	Lid Ass'ly	1	For Silver
	2	AQB02H619-W9	Lid Knob	1	For White+FD
	2	AQB02H619-LH	Lid Knob	1	For Silver
	3	AQB01H619	Glass Lid	1	Full glass Lid (t=5.0MM)
	4	AQE50H619	Pan	1	A3004-0 t-0.8
\triangle	5	AQS00H920B00U	Center thermostat	1	125C
	6	QS61T272100U	Outer Spring	1	
\triangle	7	AQL20H619-00U	CastHeater Ass'ly	1	
	8	AQE30-619-W9	Handle	2	For White+FD
	8	AQE30H619-LH	Handle	2	For Silver
	9	AQE13H619-ZGU	Body Comp.	1	For White+FD
	9	AQE13H619-LNU	Body Comp.	1	For Silver
\triangle	10	AQN00-619-W9U	Switch Assy.	1	For White+FD
\triangle	10	AQN00H619-LHU	Switch Assy.	1	For Silver
	11	AQN10-619-W9	Switch panel	1	For White+FD
	11	AQN10H619-LH	Switch Panel	1	For Silver
\triangle	12	AQN85-619-00U	lamp board assy	1	
	13	AQL65-619	Vinyl Tie	1	
	14	AQN20-619-W9	Decorative panel	1	For White+FD
	14	AQN20H619-LN	Decorative panel	1	For Silver
	15	AQN60-619-W9U	Frame Complete	1	For White+FD
	15	AQN60H619-LHU	Frame Complete	1	For Silver
	16	AQN31-619-W9	Switch Button	1	For White+FD
	16	AQN31H619-LH	Switch button	1	For Silver
	17	AQH20-619-W9U	Bottom Plate Assly	1	For White+FD
	17	AQH20H619-LHU	Bottom Plate Assly	1	For Silver
\triangle	18	AQY50H619-ZG	Name Plate	1	For White+FD
\triangle	18	AQY50H619-LN	Name Plate	1	For Silver
\triangle	19	AQQ00H619-00U / AQQ01H619-00U	Power Cord Assly	1	S-3 Type
	20	ASR577Y120-K	Cord Bushing	1	
	21	AQK00D100	Measuring Cup	1	
< SCREW >					
	A	QB06T270	Aluminium Screw	1	For Glass Lid Assy.
	B	XYN4+C10FNS	Sems Screw	1	For Cast Heater
	C	XTN4+10BFJ	Screw	2	For Handle
	D	XTN4+8BFJ	Screw	1	For Switch Assly
	E	XTN4+6FFJ	Screw	2	For Switch Frame
	F	XYN4+C7FNS	Sems Screw	2	For internal wiring
	G	PK52-4871	Tapping Screw	2	For Bottom Plate
	H	XYC4+CF6FJ	Sems Tapping Screw	1	For Earth Wire
< PACKING SPECIFICATIONS >					
\triangle	1	AQY00H619	Operating Instructions	1	
	2	AQZ11-619	Upper pad	2	
	3	AQZ75-619	Plastic sheet	1	
	4	ASR758T140A	Rust Proof Paper	1	
	5	AQZ12-619	Lower Pad A	1	
	6	AQZ13-619	Lower Pad B	1	
	7	AQZ16-619	Cord Protector	1	
	8	AQZ43-619	Pan protecting pad	1	
	9	AQZ01H619-ZG	Packing Case	1	For White+FD
	9	AQZ01H619-LN	Packing Case	1	For Silver

8.3. Model No : SR-G06FG (LSDN) (HONGKONG)

8.3.1. Exploded View



8.3.2. Packing Specification : Model No. SR-G06FG (LSDN) (HONGKONG)



8.3.3. Replacement Parts List

Notes : Important safety notice

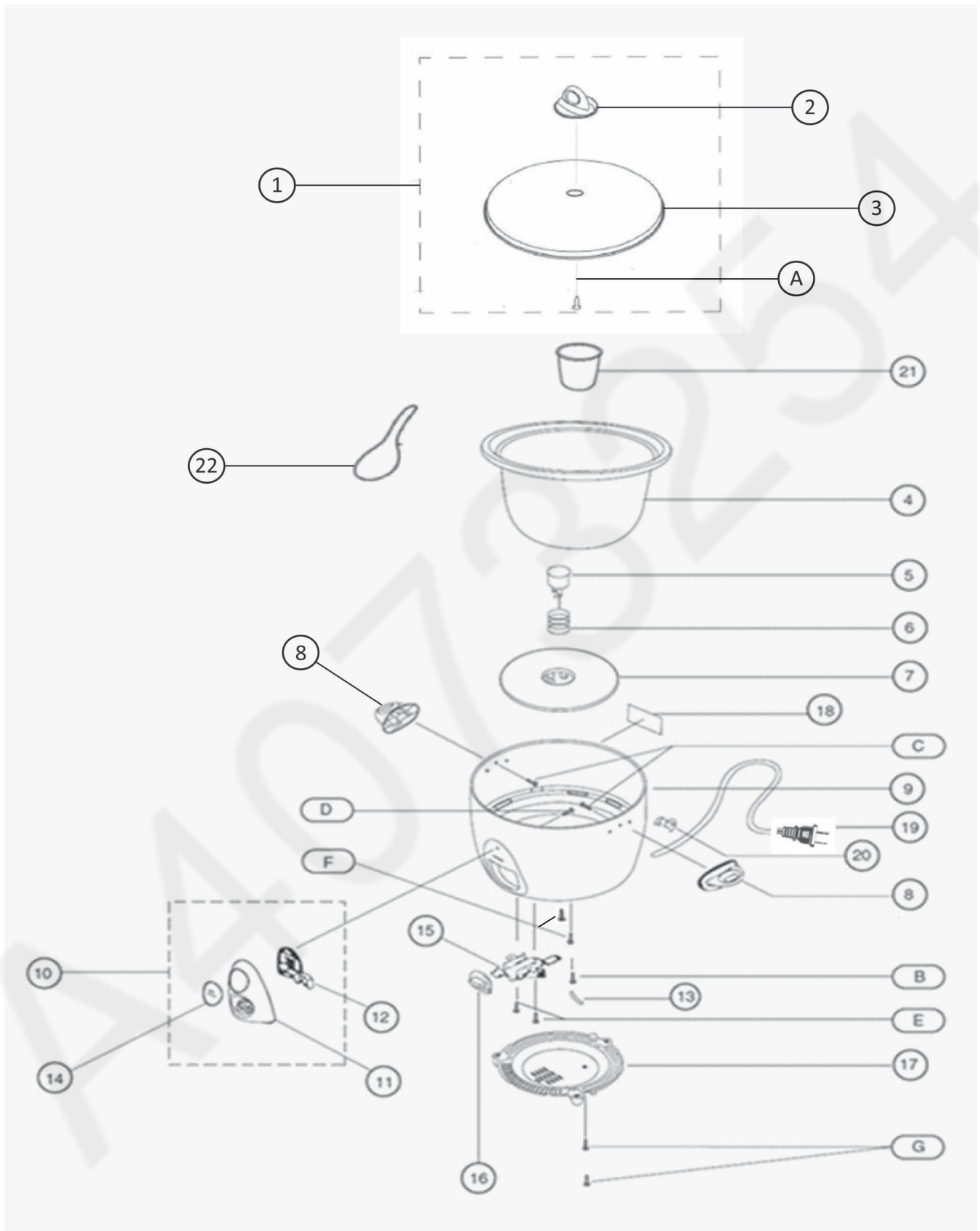
- Components identified by \triangle mark have special characteristics important for safety.
- When replacing any of these components use only manufacturer's specified parts.

MODEL No : SR-G06FG (LSDN) (HONGKONG)

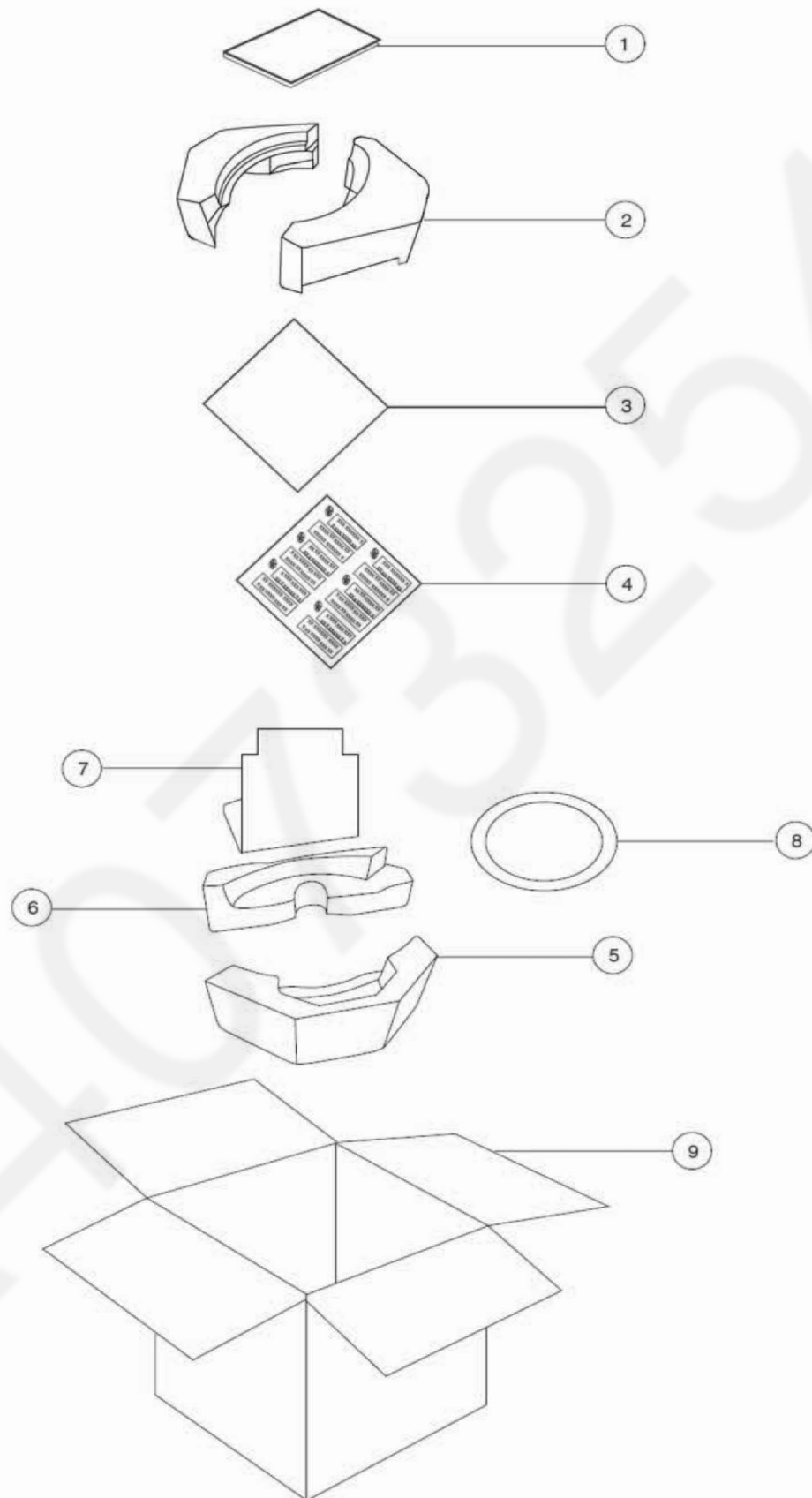
Safety	Ref. No.	Part No.	Part Name & Description	Pcs/Set	Remarks
				220V	
				SR-G06FG (LSDN) (HONGKONG)	
< PARTS LIST >					
	1	AQB01H619-LHU	Lid Ass'ly	1	
	2	AQB02H619-LH	Lid Knob	1	
	3	AQB01H619	Glass Lid	1	Full glass Lid (t=5.0MM)
	4	AQE50H620	Pan	1	ED41-P10-PC-AM t-0.8
\triangle	5	AQS00H920B00U	Center thermostat	1	125C
	6	QS61T272100U	Outer Spring	1	
\triangle	7	AQL20H619-00U	CastHeater Ass'ly	1	
	8	AQE30H619-LH	Handle	2	
	9	AQE13H619-LNU	Body Comp.	1	
\triangle	10	AQN00H619-LHU	Switch Assy.	1	
	11	AQN10H619-LH	Switch Panel	1	
\triangle	12	AQN85-619-00U	lamp board assy	1	
	13	AQL65-619	Vinyl Tie	1	
	14	AQN20H619-LN	Decorative panel	1	
	15	AQN60H619-LHU	Frame Complete	1	
	16	AQN31H619-LH	Switch button	1	
	17	AQH20H619-LHU	Bottom Plate Assly	1	
\triangle	18	AQY50H620-LN	Name Plate	1	
\triangle	19	AQQ00H619-00U / AQQ01H619-00U	Power Cord Assly	1	S-3 Type
	20	ASR577Y120-K	Cord Bushing	1	
	21	AQK00D100	Measuring Cup	1	
	22	ASR79W281AK	Scoop	1	
< SCREW >					
	A	QB06T270	Aluminium Screw	1	For Glass Lid Assy.
	B	XYN4+C10FNS	Sems Screw	1	For Cast Heater
	C	XTN4+10BFJ	Screw	2	For Handle
	D	XTN4+8BFJ	Screw	1	For Switch Assly
	E	XTN4+6FFJ	Screw	2	For Switch Frame
	F	XYN4+C7FNS	Sems Screw	2	For internal wiring
	G	PK52-4871	Tapping Screw	2	For Bottom Plate
	H	XYC4+CF6FJ	Sems Tapping Screw	1	For Earth Wire
< PACKING SPECIFICATIONS >					
\triangle	1	AQY00H619	Operating Instructions	1	
	2	AQZ11-619	Upper pad	2	
	3	AQZ75-619	Plastic sheet	1	
	4	ASR758T140A	Rust Proof Paper	1	
	5	AQZ12-619	Lower Pad A	1	
	6	AQZ13-619	Lower Pad B	1	
	7	AQZ16-619	Cord Protector	1	
	8	AQZ43-619	Pan protecting pad	1	
	9	AQZ01H620-LN	Packing Case	1	

8.4. Model No : SR-G06FG (LVAN) (USA-CANADA)

8.4.1. Exploded View



8.4.2. Packing Specification : Model No. SR-G06FG (LVAN) (USA-CANADA)



8.4.3. Replacement Parts List

Notes : Important safety notice

- Components identified by \triangle mark have special characteristics important for safety.
- When replacing any of these components use only manufacturer's specified parts.

MODEL No : SR-G06FG (LVAN) (USA-CANADA)

Safety	Ref. No.	Part No.	Part Name & Description	Pcs/Set	Remarks
				120V	
				SR-G06FG (LVAN) (USA-CANADA)	
< PARTS LIST >					
	1	AQB01H619-W9U	Lid Ass'ly	1	
	2	AQB02H619-W9	Lid Knob	1	
	3	AQB01H619	Glass Lid	1	Full glass Lid (t=5.0MM)
	4	AQE50H620	Pan	1	ED41-P10-PC-AM t-0.8
\triangle	5	AQS00T270C00U	Center thermostat	1	134C
	6	QS61T272100U	Outer Spring	1	
\triangle	7	AQL20A620-00U	CastHeater Ass'ly	1	
	8	AQE30-619-W9	Handle	2	
	9	AQE13A620-LNU	Body Comp.	1	
\triangle	10	AQN00A620-W9U	Switch Assy.	1	
	11	AQN10A620-W9	Switch Panel	1	PP (R0508) V0
\triangle	12	AQN85A620-00U	lamp board assy	1	
	13	AQL65-619	Vinyl Tie	1	
	14	AQN20-619-W9	Decorative panel	1	
	15	AQN60A620-W9U	Frame Complete	1	
	16	AQN31A620-W9	Switch button	1	PP (R0508) V0
	17	AQH20-619-W9U	Bottom Plate Assly	1	
\triangle	18	AQY51A620-LN	Name Plate	1	
\triangle	19	AQQ00A620-00U / AQQ01A620-00U	Power Cord Assly	1	A-2P Type
	20	AQQ75A287	Cord Bushing	1	
	21	AQK00D100	Measuring Cup	1	
	22	ASR79W281AK	Scoop	1	
< SCREW >					
	A	QB06T270	Aluminium Screw	1	For Glass Lid Assy.
	B	XYN4+C10FNS	Sems Screw	1	For Cast Heater
	C	XTN4+10BFJ	Screw	2	For Handle
	D	XTN4+8BFJ	Screw	1	For Switch Assy
	E	XTN4+6FFJ	Screw	2	For Switch Frame
	F	XYN4+C7FNS	Sems Screw	2	For internal wiring
	G	PK52-4871	Tapping Screw	2	For Bottom Plate
< PACKING SPECIFICATIONS >					
\triangle	1	AQY00A620	Operating Instructions	1	
	2	AQZ11-619	Upper pad	2	
	3	AQZ75-619	Plastic sheet	1	
	4	ASR758T140A	Rust Proof Paper	1	
	5	AQZ12-619	Lower Pad A	1	
	6	AQZ13-619	Lower Pad B	1	
	7	AQZ16-619	Cord Protector	1	
	8	AQZ43-619	Pan protecting pad	1	
	9	AQZ01A620-LN	Packing Case	1	

A44073254

Panasonic Appliances India Co.,Ltd
NH No. 5 , Sholavaram Village , Ponneri Taluk , Chennai-600 067.
Tel : 044-2633 0133 , 2633 0397 / Fax : 2633 0132
www.panasonic.co.in