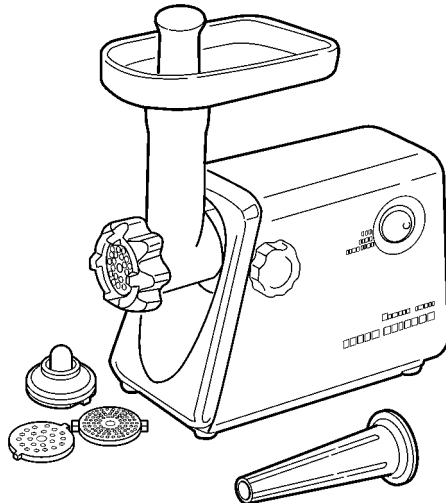


Service Manual

Meat Grinder

Model No. MK-G1550PWTX

Destination PGF



⚠ WARNING

This service information is designed for experienced repair technicians only and is not designed for use by the general public. It does not contain warnings or cautions to advise non-technical individuals of potential dangers in attempting to service a product. Products powered by electricity should be serviced or repaired only by experienced professional technicians. Any attempt to service or repair the product or products dealt with in this service information by anyone else could result in serious injury or death.

IMPORTANT SAFETY NOTICE

There are special components used in this equipment which are important for safety. These parts are marked by ⚠ in the Schematic Diagrams, Circuit Board Diagrams, Exploded Views and Replacement Parts List. It is essential that these critical parts should be replaced with manufacturer's specified parts to prevent shock, fire or other hazards. Do not modify the original design without permission of manufacturer.

TABLE OF CONTENTS

	PAGE	PAGE
1 Safety Precautions-----	2	
2 Specifications -----	2	
3 Location of Controls and Components -----	3	
4 Operating Instructions-----	4	
5 Troubleshooting Guide-----	7	
6 Disassembly and Assembly Instructions -----	8	
7 Wiring Connection Diagram -----	11	
8 Exploded View and Replacement Parts List -----	12	

1 Safety Precautions

CAUTION

Do not grind too hard meat. If the grinder gets stuck, do not force meat into it.

CAUTION

You may feel the feed screw vibrating during use. It is not a trouble. Do not over tighten the locking knob.

CAUTION

Keep in mind that some parts of the grinder cannot be washed in a dishwasher.

CAUTION

This meat grinder is for home use only.

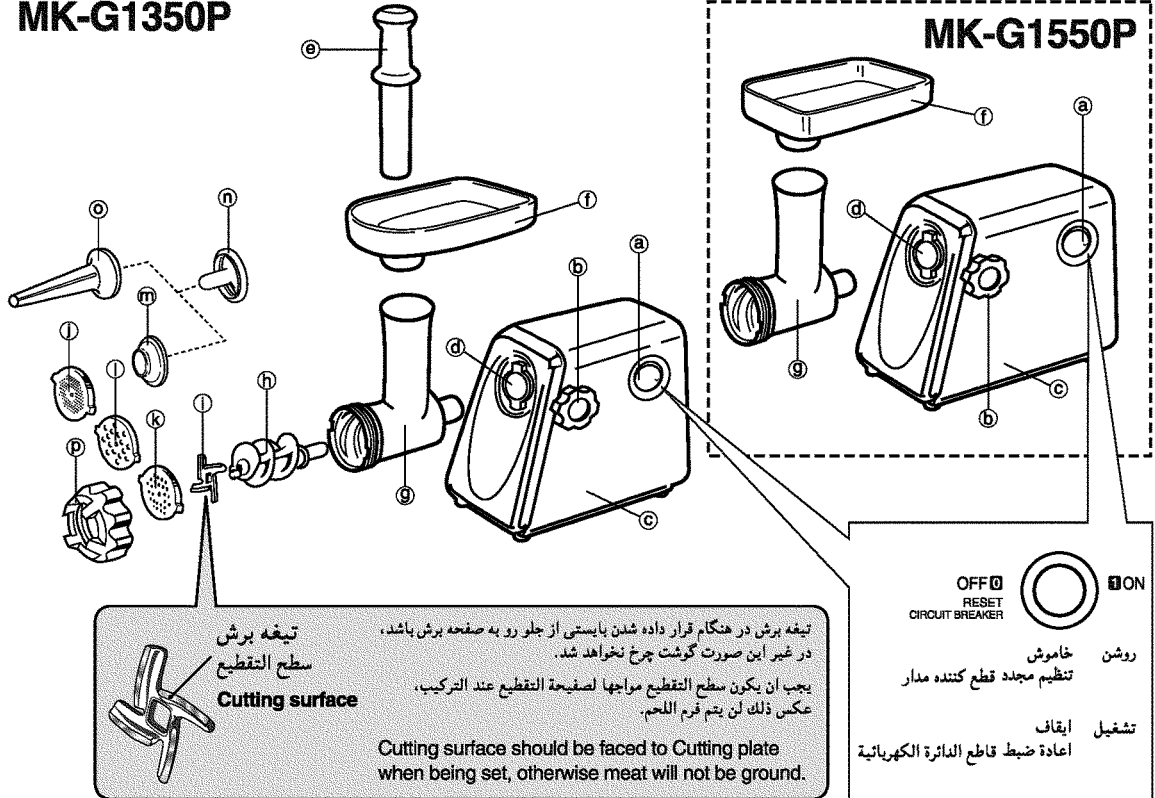
2 Specifications

Model No.	MK-G1550P
Power supply	220-240V 50-60Hz
Power consumption	240W
Feed screw speed	230rpm
Motor protection	Circuit breaker
Dimensions (HxWxD) (approx.)	386 x 166 x 342 mm
Weight (approx.)	3.7kg
Accessories	Cutting plates, Kubbe attachment, Sausage attachment

3 Location of Controls and Components

Parts Identification شناسائی قطعات تعریف الأجزاء

MK-G1350P



- (a) Switch
- (b) Locking knob
- (c) Motor housing
- (d) Opening
- (e) Food pusher
- (f) Hopper plate
- (g) Head
- (h) Feed screw
- (i) Cutting blade
- (j)~(o) Attachments
 - (j) Cutting plate (fine)
 - (k) Cutting plate (medium)
 - (l) Cutting plate (coarse)
 - (m) Kubbe attachment A
 - (n) Kubbe attachment B
 - (o) Sausage attachment
- (p) Cap

- (a) المفتاح
- (b) مقبض القفل
- (c) مبيت الموتور
- (d) فتحة
- (e) أداة دفع الطعام
- (f) صفيحة قادوسية
- (g) رأس
- (h) برغي التغذية
- (i) نصل التقطیع
- (j)~(l) القطع الملحقة
 - (j) صفيحة التقطیع (دقیق)
 - (k) صفيحة التقطیع (متوسط)
 - (l) صفيحة التقطیع (خشن)
- (m) ملحقة الكبّة A
- (n) ملحقة الكبّة B
- (o) ملحقة السجق
- (p) غطاء

- (a) سوئیچ
- (b) دکمه قفل کننده
- (c) جعبه موتور
- (d) دهانه
- (e) فشارنده خوراک
- (f) صفحه تغذیه
- (g) کلاهک
- (h) مارپیچ
- (i) تیغه برش
- (j)~(l) متعلقات
 - (j) صفحه برش (ریز)
 - (k) صفحه برش (متوسط)
 - (l) صفحه برش (درشت)
- (m) قطعه اضافه کوبه A
- (n) قطعه اضافه کوبه B
- (o) قطعه سوسیس ساز
- (p) درپوش

4 Operating Instructions

4.1. How to Use (Caution, Before use, ... How to Clean etc.)

Caution

- Switch off the appliance and disconnect from supply before changing accessories or approaching parts that move in use.
 - This appliance is not intended for use by persons (including children) with reduced physical, sensory or mental capabilities, or lack of experience and knowledge, unless they have been given supervision or instruction concerning use of the appliance by a person responsible for their safety.
 - Children should be supervised to ensure that they do not play with the appliance.
 - Pay special attention to hands or fingers of children as they are so small and can be involved into the head or holes of the cutting plate.
(It may cause severe injury.)
 - When carrying the unit, be sure to hold the motor housing with both hands; do not hold only the hopper plate.
 - Do not fix the cutting blade and the cutting plate when using the Kubbe attachments and Sausage attachment.
 - Never feed food with hands. Use the food pusher.
 - Do not grind hard foods such as bones and nuts.
(They may cause jamming.)
 - Do not grind ginger and other ingredients with hard fiber.
(They will not be ground.)
 - To avoid jamming, do not force to operate the unit with excessive pressure.
If the unit jams due to hard materials lodged onto the feed screw or the cutting blade, switch off immediately and clean the unit.
When the circuit breaker activates, do not switch on.
(See "Caution on Jamming" on page 10.)
 - Never try to disassemble or repair the unit by yourself.
 - This product is intended for household use only.
 - If the supply cord is damaged, it must be replaced by the manufacturer or its service agent or a similarly qualified person in order to avoid a hazard.
 - Never remove or attach the hopper plate, the head or cap when the motor is operating.
 - Do not disassemble the grinder or place anything (especially finger, spoon, fork, etc.) in the grinder during operation.
 - Do not operate more than 15 minutes at one time.
 - When abnormal or breaking down occur, discontinue using appliance immediately and unplug.
(If may cause smoking, fire or electric shock.)
e.g. for abnormal or breaking down.
 - The power plug and the power cord become abnormally hot.
 - The power cord is damaged or power failure.
- Please unplug the appliance immediately and make enquires at the store for the check or the repair.

Before use

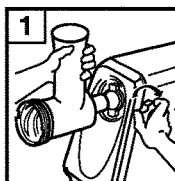
Make sure that the voltage and frequency indicated on the bottom are the same as your local supply.

Wash all the parts (except those that do not touch foods (a), (b), (c) and (d)) in warm soapy water.

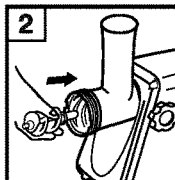
Before plugging in, ensure the switch is off.

To Grind Meat

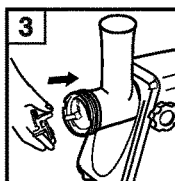
(Assembling)



Place the head onto the opening of the motor housing. Holding the head with one hand, place the locking knob into the hole on the side of the motor housing and tighten it clockwise.

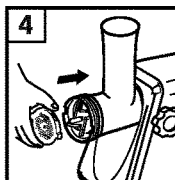


Place the feed screw into the head, long end first, by turning the feed screw slightly until it is set into the motor housing.



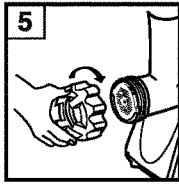
Place the cutting blade onto the feed screw shaft with the blade facing the front as illustrated.

• If it is not fitted properly, meat will not be ground.



Place the desired cutting plate next to the cutting blade, fitting protrusions in the slots.

To Grind Meat



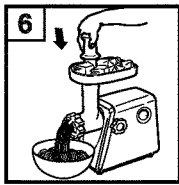
Screw the cap into place until tight.
• Do not over tighten.

Place the hopper plate on the head and fix into position.

Set the unit on a firm surface.
• The air passage at the bottom and the side of the motor housing should be kept free and not blocked.

(Grinding Meat)

Cut all foods into pieces so that they fit easily into the hopper opening.
Plug in, then switch on.



Feed foods into the hopper plate.
• Use the food pusher.
After use, switch off and unplug.

Note:

• The grinder head may rotate slightly during use, but it is normal.
Do not over tighten the knob to stop this movement.
It may cause damage.

Caution on Jamming

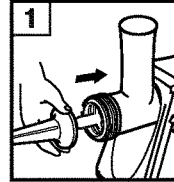
When the circuit breaker automatically stops the motor or when the motor continues to function but no meat comes out of the cutting plate due to jamming of bones or other materials, switch off.
• Do not switch on.

Unplug and clean the unit. (See "How to Clean".)

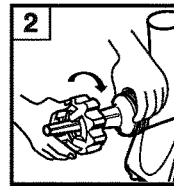
To Use the Sausage Attachment

Meat should be ground and seasoned before making sausage links. (See P.9 "To Grind Meat".)
Assemble the grinder using the coarse cutting plate. For finer textured sausages, use the fine cutting plate.

Disassemble by reversing the steps on "To Grind Meat" from [5] - [3] to remove the cutting plate and the cutting blade.



Place the Kubbe attachment B and the sausage attachment onto the feed screw shaft together, fitting protrusions in the slots.

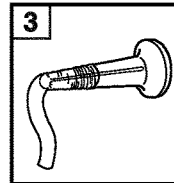


Screw the cap into place until tight.
• Do not over tighten.

Place the hopper plate on the head and fix into position.

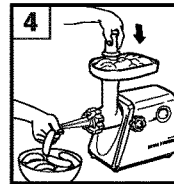
Set the unit on a firm surface.
• The air passage at the bottom and the side of the motor housing should be kept free and not blocked.

Cut casing into 2 or 3-foot lengths.



Put and gather all of casing over the sausage attachment except the last 4-6 inches as shown in the illustration.

Plug in, then switch on.



Place seasoned meat into the hopper plate and press it through grinder with food pusher.
Stuff casing naturally with little resistance as the sausage comes out of the spout. If the meat is forced into the casing too tightly, the sausage is likely to break immediately.

If necessary, prick tiny holes at the end of the casings to let air escape. To make a link, pinch at desired length and press the sausage meat back a little. Then twist 3-4 times. Pinch the next sausage and twist the sausage in the opposite direction 3-4 times to secure the link.
When the casing is filled, tie securely at the end with a string.

• Never push the food mixture into the grinder with your fingers. Always use the food pusher.

After use, switch off and unplug.

To Make Kubbe

— Recipe —

(Stuffing)

100 g	mutton
1 1/2 tablespoons	olive oil
1 1/2 tablespoons	onion (cut finely)
1/3 teaspoon	all spice
1/2 teaspoon	salt
1 1/2 tablespoons	flour

Grind mutton once or twice.

Fry onion until brown and add minced mutton, all spice, salt and flour.

(Outer cover)

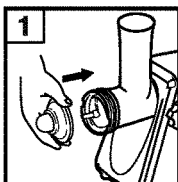
450 g	lean meat
150-200 g	flour
1 teaspoon	all spice
1	nutmeg
a pinch	powdered red pepper
dash	pepper

Grind meat three times and mix all ingredients together in a bowl.

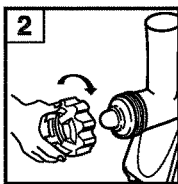
- More meat and less flour for outer cover creates better consistency and taste.

Grind the mixture three times.

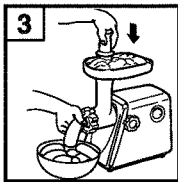
Disassemble by reversing the steps on "To Grind Meat" from [5] - [3] to remove the cutting plate and the cutting blade.



1 Place the Kubbe attachments A and B onto the feed screw shaft together, fitting protrusions in the slots.

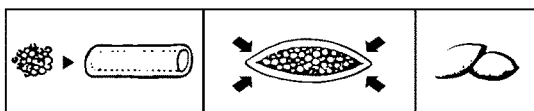


2 Screw the cap into place until tight.
• Do not over tighten.



3 Following the same steps on "To Grind Meat" as in [5] - [6], make the cylindrical cutter cover.

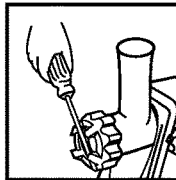
Form kubbe as illustrated below and deep fry.



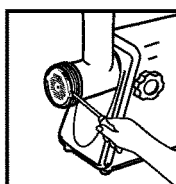
How to Clean

(Disassembling)

Make sure that the motor has stopped completely. Disconnect the plug from the power outlet. Disassemble by reversing the steps on "To Grind Meat" from [5] - [1].



To remove the cap easily, place a screwdriver between the protrusions and unscrew.



To remove the cutting plate easily, place a screwdriver between the cutting plate and the head as illustrated and lift up.

(Cleaning)

Remove meat and other food.

Wash each part in warm soapy water.

A little salad oil on (h)~(i) after washing and drying will keep them lubricated.

Note:

- A bleaching solution containing chlorine will discolor the aluminum surface.
- Do not immerse the motor housing in water; simply wipe it with a damp cloth.
- Thinners and benzines will crack or change the color of the unit.
- Do not wash any parts in a dishwasher. (It may discolor the aluminum surface.)
- Leaving the parts (f), (g) and (p) wet after cleaning may cause corrosion. Wipe off thoroughly with a dry cloth after cleaning.

5 Troubleshooting Guide

5.1. SYMPTOM : A.C. motor interrupted when feeding meat (overloaded).

Causes	Remedy
Too hard meat being fed.	Take out the hard meat.
Too much meat being fed at once.	Reduce the meat feed rate.
Used for too long continuously.	Follow the specified operating time.
Circuit breaker activated.	Switch off and on again to reset the breaker.

5.2. SYMPTOM : Switch turned on, but A.C. motor failure to start.

Causes	Remedy
Power cord broken.	Replace the power cord.
Lead wire terminal in poor contact.	Repair or replace the lead wire terminal.
Switch in poor contact.	Replace the switch.
Carbon brush worn out.	Replace the carbon brush.
A.C. motor coil broken.	Replace the A.C. motor.

5.3. SYMPTOM : A.C. motor running, but feed screw failure to turn.

Causes	Remedy
Gears worn out.	Replace the gears.
Gears damaged.	Replace the gears.
Feed screw worn out.	Replace the feed screw.
Feed screw damaged.	Replace the feed screw.

5.4. SYMPTOM : A.C. motor running too noisy and meat grinding too slow.

Causes	Remedy
Carbon brush worn out.	Replace the carbon brush.
Gears worn out or damaged.	Replace the gears.
Cutting blade or cutting plate worn out.	Replace the cutting blade or cutting plate.

5.5. SYMPTOM : A.C. motor running noise unusual.



Causes	Remedy
Foreign mater caught in gears.	Take out the foreign matter.
Gears worn out or damaged.	Replace the gears.

5.6. SYMPTOM : Smell of burning from A.C. motor.

Causes	Remedy
A.C. motor insulation degraded.	Replace the A.C. motor.

6 Disassembly and Assembly Instructions

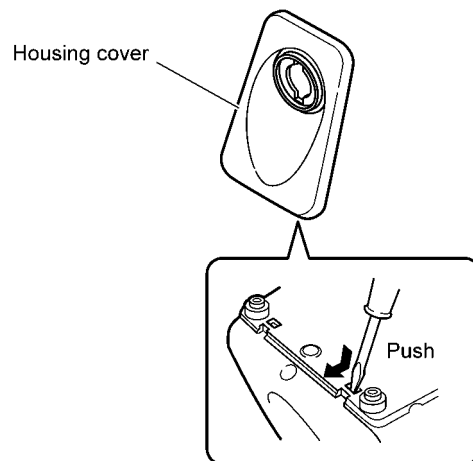
 Caution	
	Be careful not to injure yourself on the metal edge during disassembly, replacement, or assembly. Make sure to wear gloves.

 Warning	
	Pull the faston terminals straight out without twisting.

For assembly, refer to the Assembly Instructions, and perform the procedures in the opposite order of disassembly.

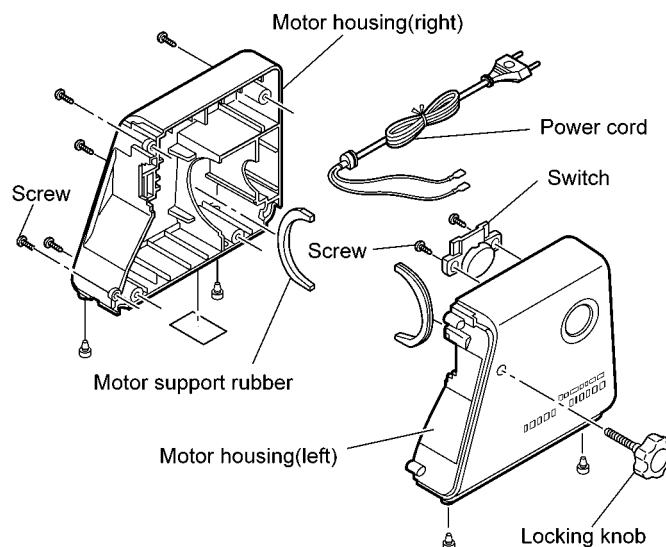
6.1. Rubber Cap, Connector U (lower)

1. Turn the locking knob counterclockwise to remove it.
2. Put a bladed screwdriver into each of the two holes at the grinder bottom. Push down the housing cover claws to detach the cover.
3. Lay the grinder with its left side down.
4. Remove the five pan head tapping screws and detach the A.C. motor housing (left).



6.2. Disconnecting the power cord and switch

1. Lift the A.C. motor and disconnect the lead wire terminal.
2. Pull and disconnect the power cord terminal out of the switch.
3. Disconnect the lead wire terminal from the switch.
4. Remove the two switch lock screws and take out the switch.

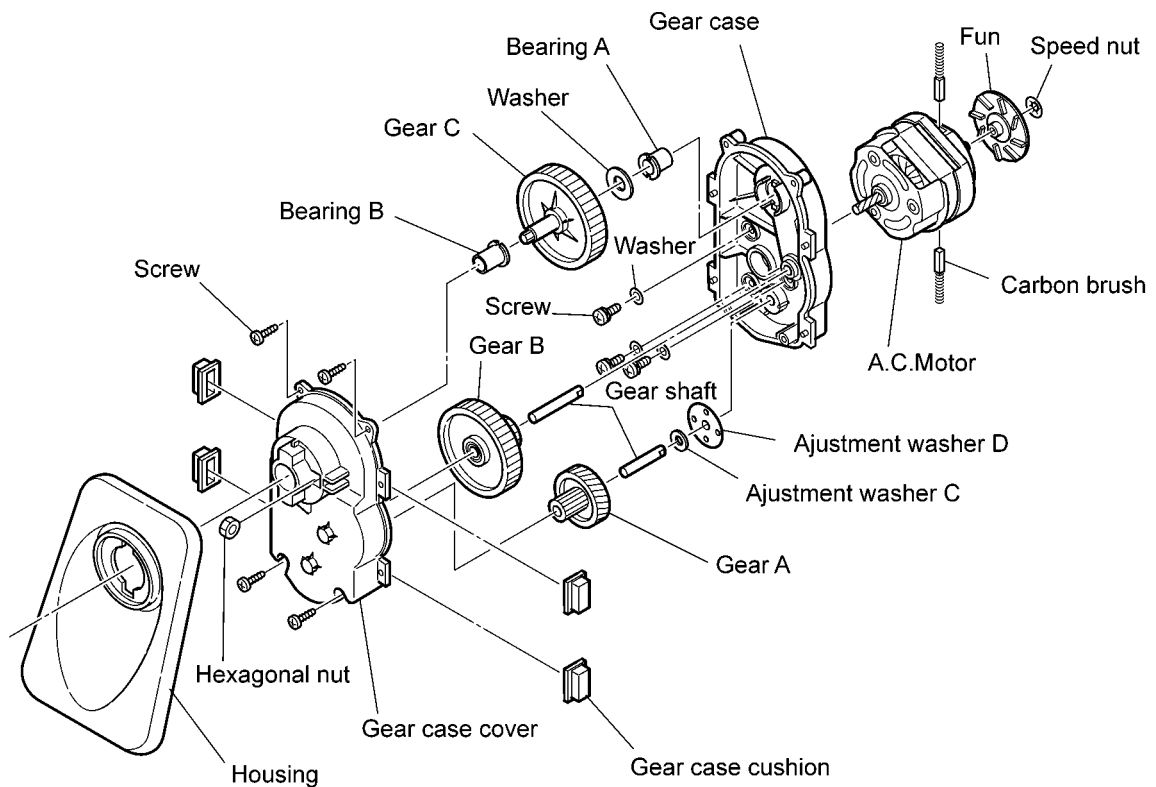


6.3. Removing the gear case cover, gears and gear case.

1. Remove the two gear case cushions.
2. Remove the four lock screws and detach the gear case cover.
3. Take out the bearing B from inside the gear case cover.
 - When reassembling, exactly fit the bearing B to gear case cover.
4. Take out the gears B, A and C in this order.
 - The bearing B, washers and other parts come out together, attached by grease on the gears. Remember their positions and assembling steps. Be also careful not to lose them.
5. Take out the bearing A, gear shaft and washers out of the gear case.
6. Remove the three gear case lock screws and detach the gear case from the motor.
 - To reassemble the gear case, take the reverse steps.

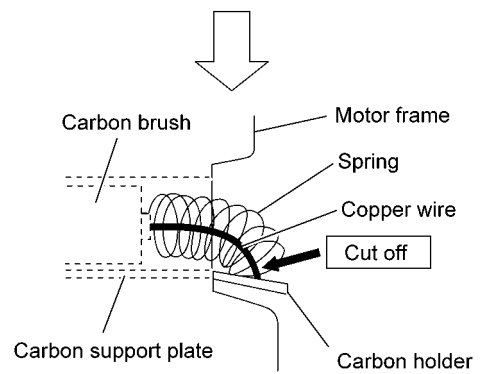
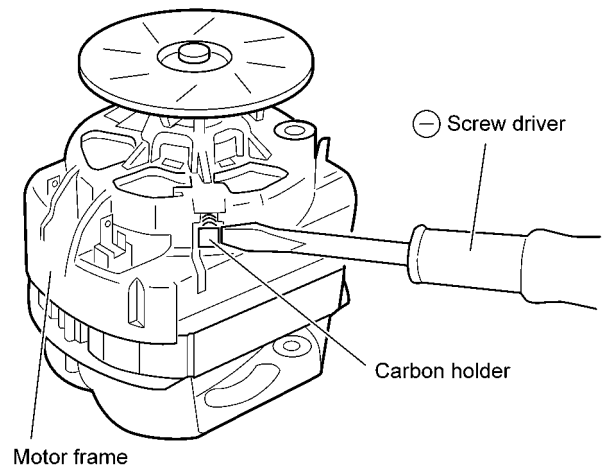
Be very careful to put all the parts (gears, washers, bearings A and B, and gear shaft) together in the correct procedure into right position and the right direction.

- Before placing the gears in position, apply grease on them.



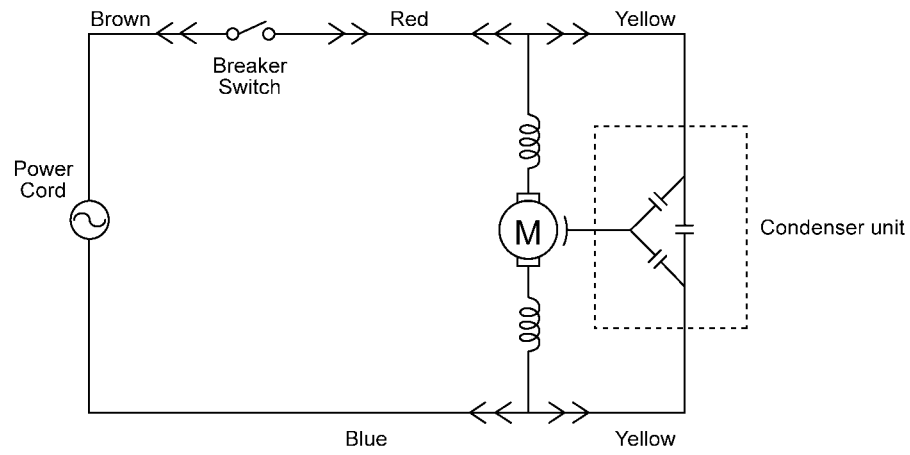
6.4. Replacing the Carbon brush

1. Using a bladed screwdriver, widen the carbon holder.
2. Cut the carbon brush copper wire with nippers. Take out the carbon brush.
3. Fit a new carbon brush in the carbon support plate.
4. Finally close the carbon holder.
(Replace both the carbon brushes at once.)

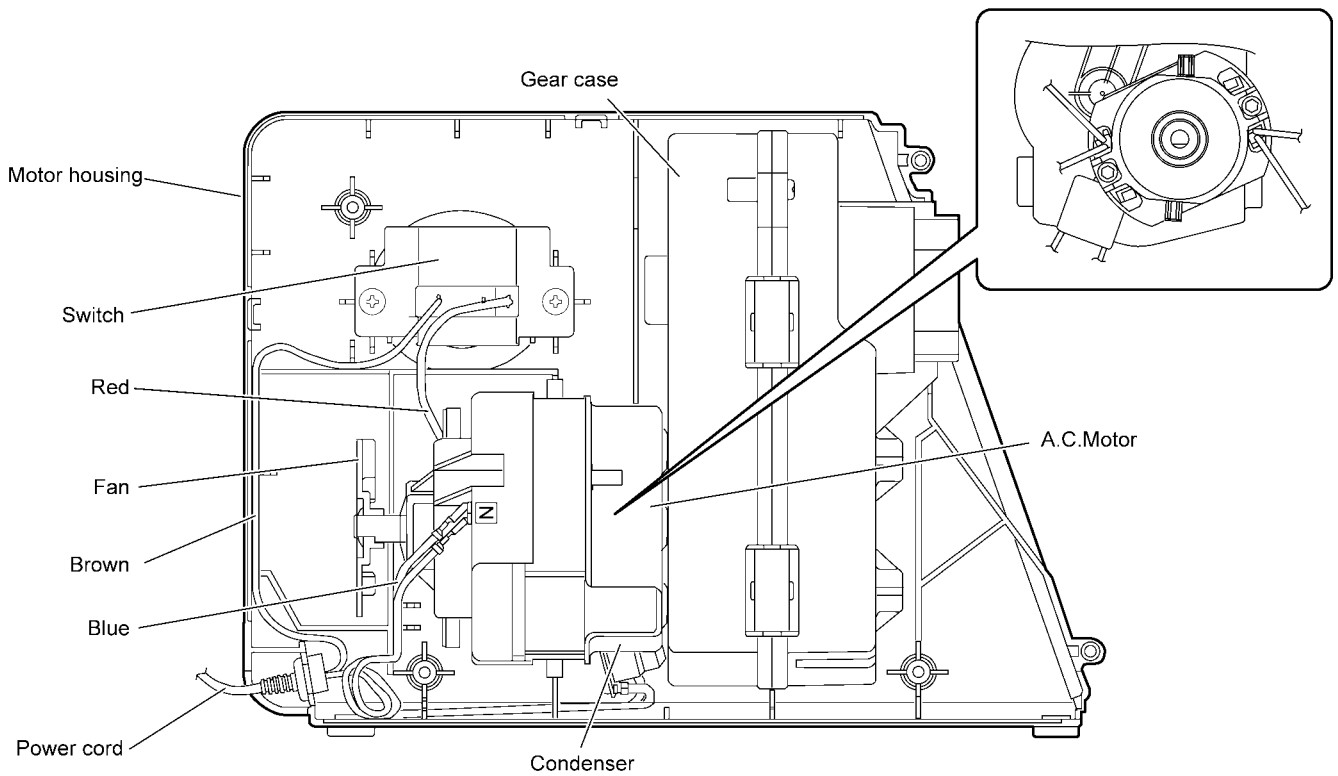


7 Wiring Connection Diagram

7.1. Schematic diagram

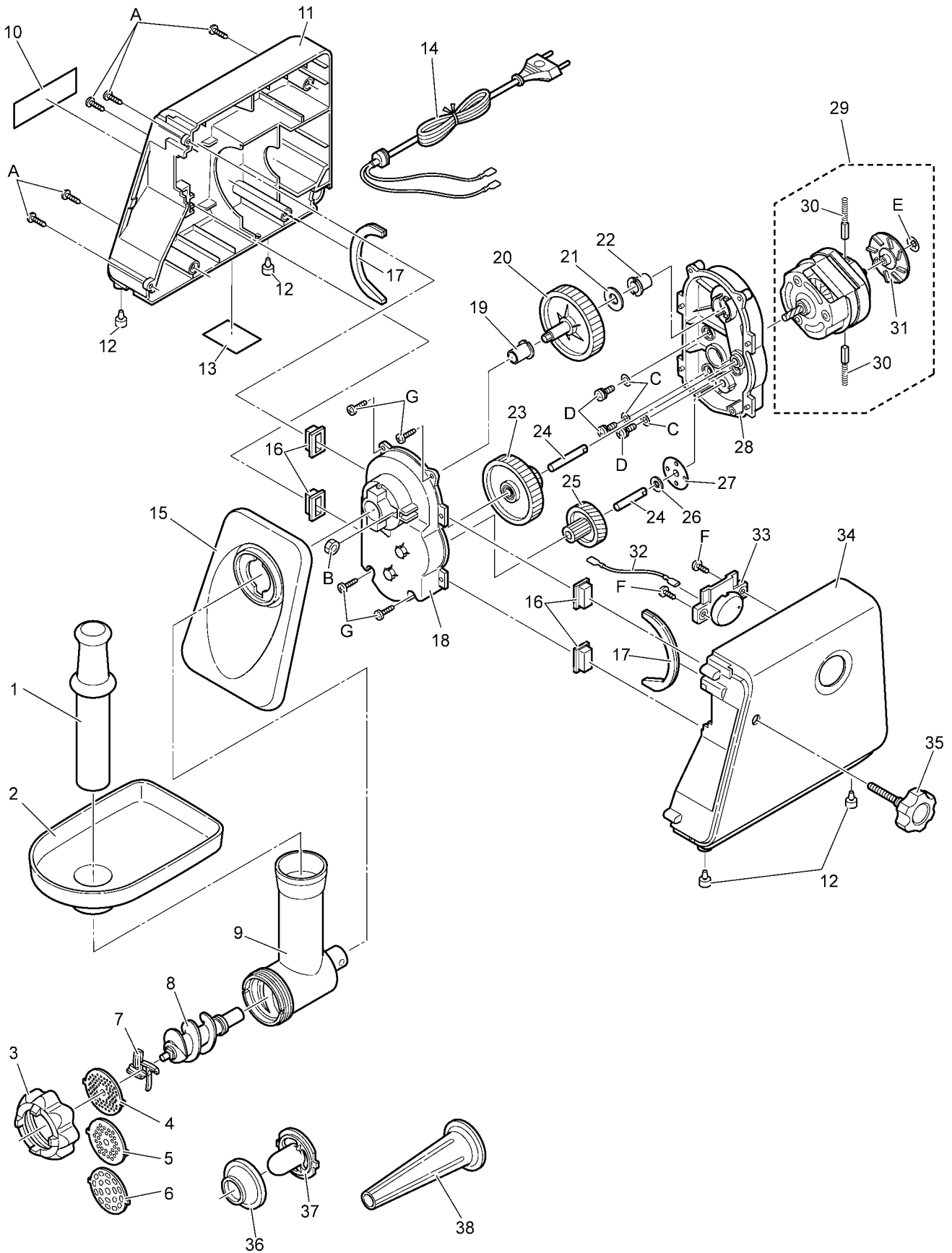


7.2. Basic Wiring diagram



8 Exploded View and Replacement Parts List

8.1. PARTS LOCATION



8.2. REPLACEMENT PARTS LIST

Notes: Important safety notice

- Components identified by Δ mark have special characteristics important for safety.
- " When replacing any of these components use only manufacturer's specified parts."

MODEL No.MK-G1550PWTX

Safety	Ref. No.	Part No.	Part Name & Description	Pcs/Set	Remarks
				WTX	
<PARTS LIST>					
	1	AME04-107-W	Food pusher	1	
	2	AME03-110	Hopper	1	
	3	AME02-107	Grinder cap	1	
Δ	4	AMM08C-180	Cutting plate A	1	Fine 3mm
Δ	5	AMM10C-180	Cutting plate C	1	Medium 5mm
Δ	6	AME05-121	Cutting plate F	1	Coarse 7mm
Δ	7	AMM12C-180	Cutting blade	1	
Δ	8	AMM98C-180	Feed screw	1	
Δ	9	AME01-1071	Grinder cap	1	
Δ	10	AMY03Y121	Caution label	1	
	11	AMB19-110-W	Motor housing (Right)	1	
	12	AJB05-108-H	Foot	4	
Δ	13	AMY10Y129	Rating plate	1	
Δ	14	AMP96-1072	Power cord	1	220V-240V C-2P
	15	AMB90-110-S	Housing cover	1	
	16	AMM37A-180	Gear case cushion	4	
	17	AMM38A-491	Motor support rubber	2	
	18	AMB89-110	Gear case cover	1	
	19	AMM05B-180	Bearing B	1	
	20	AMH99-110	Gear C	1	
	21	AMM18B-180	Adjustment washer B	1	
	22	AMM04B-180	Bearing A	1	
	23	AMH02-110	Gear B	1	
	24	AMH61-110	Gear shaft A	2	
	25	AMH97-110	Gear A	1	
	26	AMM36B-180	Adjustment washer C	1	
	27	AMH53-110	Adjustment washer D	1	
	28	AMB26-110	Gear case	1	
Δ	29	AMA08Y122-0S	A.C. Motor	1	AC 220V-240V
Δ	30	AMM16F-430-2	Carbon brush	1	2pcs set
	31	AMM31-110	Fan	1	
Δ	32	AMP93-107	Lead wire A	1	
Δ	33	AMN98-1101-W	Switch	1	AC 220V-240V
	34	AMB91Y129-W0	Motor housing (Left)	1	
	35	AMM99A-302H1	Locking knob	1	
	36	AMM24C-270W	Kubbe attachment B	1	
	37	AMM96C-270W	Kubbe attachment A	1	
	38	AME96A107	Sausage attachment	1	
<SMALL STANDARDIZED METAL PARTS>					
	A	XTN4+20BFJ	Screw	5	
	B	XNG8BFJ	Screw	1	
	C	XWG5F14FJ	Screw	3	
	D	XYN5+C10FJ	Screw	3	
	E	SPN-9	Screw	1	
	F	XTT4+16BFJ	Screw	2	
	G	XTN4+20BFJ	Screw	4	
<PACKING SPECIFICATIONS>					
		AMZ45Y12900S	Outer carton	1	
Δ		AMZ50Y128	Operating instructions	1	
		AMZ03-1101	Bottom plate	1	
		AMZ02-1102	Top plate	1	
		XZB15X70A015	Polybag for cord	1	

8.3. PACKING INSTRUCTION

