

Service Manual

[TOP](#) [NEXT](#)

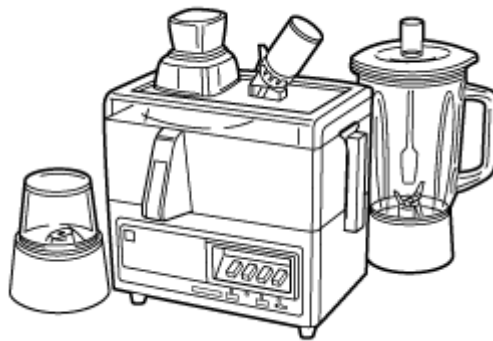
KAD0007430C3

Service Manu

Juicer/Blender

MJ-176NR

EGPT



Specifications are subject to change without notice.

Specification

Power Source	A.C. 220V 50-60Hz
Motor Power	250W
Rotation Speed	(Juicer)/12,700r.p.m./(Blender)/9,500-12,000r.p.m. (without load)
Switch Control	(Juicer)/ON/OFF Push button type/(Blender)/2 Speed Push button and pulse
Dimensions	321(H)×288(W)×235(D)mm
Weight	5.3kg
Blender Container	1,000ml (Glass)
Accessory	Mill attachment

© 2000 Matsushita Electric Industrial Co., Ltd. All rights reserved. Unauthorized copying and distribution is a violation of law.



[TOP](#) [NEXT](#)

1 PRECAUTIONS(Strictly follow these instructions.)

[TOP](#) [PREVIOUS](#) [NEXT](#)

CAUTION

Maximum capacity : 1,000ml.

Do not crush ice cubes alone.

Dice solid foods first. Blend with liquid.

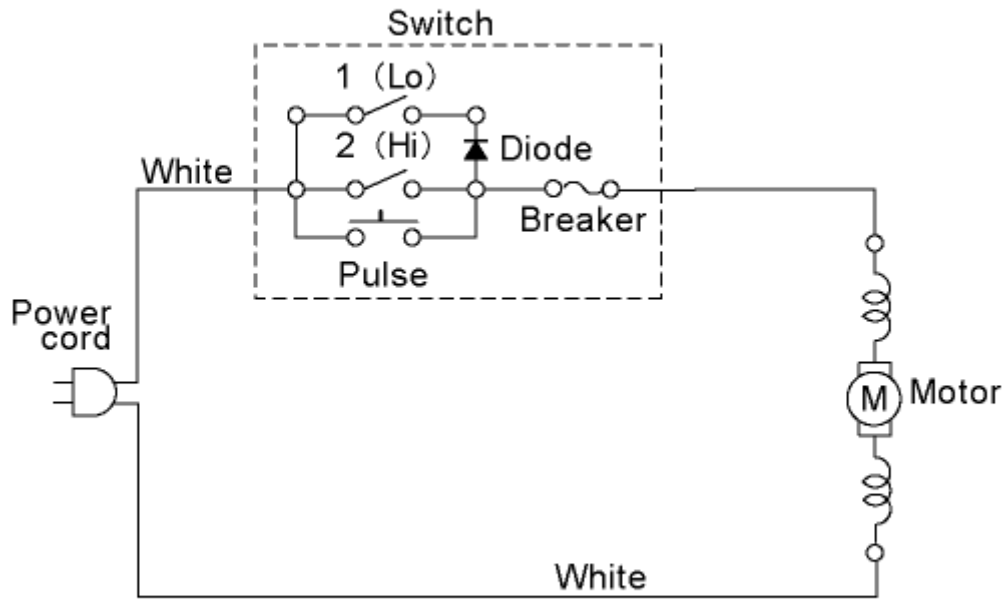
Do not operate blender longer than 4 minutes at one time./Stop for 2 minutes, then resume.

پ@

[TOP](#) [PREVIOUS](#) [NEXT](#)

2 SCHEMATIC DIAGRAM

[TOP](#) [PREVIOUS](#) [NEXT](#)

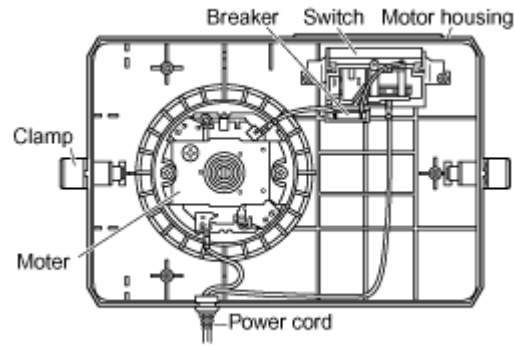


پ@

[TOP](#) [PREVIOUS](#) [NEXT](#)

3 BASIC WIRING DIAGRAM

[TOP](#) [PREVIOUS](#) [NEXT](#)



⌘@

[TOP](#) [PREVIOUS](#) [NEXT](#)

4 TROUBLESHOOTING GUIDE

[TOP](#) [PREVIOUS](#) [NEXT](#)

4.1 The Juicer, the Blender commons

4.1.1 SYMPTOM : Motor doesn't rotate.

4.1.2 SYMPTOM : Motor "roars" but doesn't rotate. (Turn the switch off immediately.)

4.1.3 SYMPTOM : Motor overheats.

4.1.4 SYMPTOM : Unusual odor

4.2 The Juicer

4.2.1 SYMPTOM : Motor "roars" but doesn't rotate (switch off immediately)

4.2.2 SYMPTOM : Noise, vibration

4.2.3 SYMPTOM : The spinner is difficult to install and remove

4.2.4 SYMPTOM : Juice is poorly extracted

4.2.5 SYMPTOM : Juice contains too much residue

4.2.6 SYMPTOM : Cutter rubs against inlet bottom

4.2.7 SYMPTOM : Leakage of juice

4.3 The blender

4.3.1 SYMPTOM : Cutter won't rotate

4.3.2 SYMPTOM : Motor rotates but cutter doesn't rotate

4.3.3 SYMPTOM : Noise, vibration

4.3.4 SYMPTOM : Juice leakage



[TOP](#) [PREVIOUS](#) [NEXT](#)

4.1.1 SYMPTOM : Motor doesn't rotate.

[TOP](#) [PREVIOUS](#) [NEXT](#)

Cause	Remedy
Switch malfunction	Replace the switch
Cord cut or disconnected	Replace the cord

پ@

[TOP](#) [PREVIOUS](#) [NEXT](#)

4.1.2 SYMPTOM : Motor“roars” but doesn’t rotate.(Turn the switch off immediately.)

[TOP](#) [PREVIOUS](#) [NEXT](#)

Cause	Remedy
Motor bearing rushed	Disassemble and apply oil, or replace the motor

پ@

[TOP](#) [PREVIOUS](#) [NEXT](#)

4.1.3 SYMPTOM : Motor overheats.

[TOP](#) [PREVIOUS](#) [NEXT](#)

Cause	Remedy
High voltage	Adjust it
Shorted motor	Replace the motor
Eccentric main shaft gear part	Replace the part
Main shaft is hard to operate	Disassemble and adjust it or replace it
Unloaded operation	Be sure that something is in the container before operating
Overload (rotation is impeded by a hard object, or a high viscosity substance in the container)	Refer to operation

پ@

[TOP](#) [PREVIOUS](#) [NEXT](#)

4.1.4 SYMPTOM : Unusual odor

[TOP](#) [PREVIOUS](#) [NEXT](#)

Cause	Remedy
Overheating	Refer to the section concerning overheating of the motor
Liquid leaking into motor	Refer to the section concerning liquid leakage
Motor absorbing moisture	Dry the motor or replace it

پ@

[TOP](#) [PREVIOUS](#) [NEXT](#)

4.2.1 SYMPTOM : Motor“roars” but doesn’t rotate (switch off immediately)

[TOP](#) [PREVIOUS](#) [NEXT](#)

Cause	Remedy
The spinner is contacting bottom of inlet	After removing cutter base, decrease the number of adjustment rings
Foreign materials are clogged between the spinner and the cutter	Remove them
Hard materials or seeds are clogged between the inlet bottom and the cutter	Remove them



[TOP](#) [PREVIOUS](#) [NEXT](#)

4.2.2 SYMPTOM : Noise, vibration

[TOP](#) [PREVIOUS](#) [NEXT](#)

Case	Remedy
Deformation of spinner	Replace the spinner
Residue has collected unevenly	Clean the spinner
Incompletely fastened clasp	Fasten it completely Replace it
The fastening part of the container cover clasp is worn out	Replace the cover
Incompletely fastened back cover	Fasten it completely
Incorrect placement of the main unit	Inspect the rubber feet/Use on a level surface

پ@

[TOP](#) [PREVIOUS](#) [NEXT](#)

4.2.3 SYMPTOM : The spinner is difficult to install and remove

[TOP](#) [PREVIOUS](#) [NEXT](#)

Cause	Remedy
The clutch pin of the cutter base doesn't operate smoothly	Examine the clutch pin; replace it if necessary
Foreign materials are clogged between the cutter base and the spinner base	Remove them



[TOP](#) [PREVIOUS](#) [NEXT](#)

4.2.4 SYMPTOM : Juice is poorly extracted

[TOP](#) [PREVIOUS](#) [NEXT](#)

Cause	Remedy
Cutter doesn't operate well	Replace complete spinner
Spinner is broken	Replace complete spinner
Continuous use for a long period	Remove the residue
Too large a gap between inlet bottom and cutter blade	Adjust it within the range of 0.5 – 0.9mm

پ@

[TOP](#) [PREVIOUS](#) [NEXT](#)

4.2.5 SYMPTOM : Juice contains too much residue

[TOP](#) [PREVIOUS](#) [NEXT](#)

Cause	Remedy
Cutter blade is worn out	Replace the spinner (complete)
Gap between inlet bottom and cutter blade is too large	Use two or three adjusting washers on the motor shaft



[TOP](#) [PREVIOUS](#) [NEXT](#)

4.2.6 SYMPTOM : Cutter rubs against inlet bottom

[TOP](#) [PREVIOUS](#) [NEXT](#)

Cause	Remedy
Gear incompletely engaged between cutter base and spinner	Engage the gear
Too many adjustment rings on the motor shaft	Decrease the number of adjustment rings and adjust the gap within the range of 0.5 – 0.9mm



[TOP](#) [PREVIOUS](#) [NEXT](#)

4.2.7 SYMPTOM : Leakage of juice

[TOP](#) [PREVIOUS](#) [NEXT](#)

Cause	Remedy
Container and/or cover deformed or broken	Replace the container or cover
Incorrect clasp fastening	Examine the clasp; adjust the fastening force
Foreign materials are clogged between the container cover and the container	Clean it and remove them
Excessive vibration	Clean it and adjust the spinner balance

پ@

[TOP](#) [PREVIOUS](#) [NEXT](#)

4.3 The blender

[TOP](#) [PREVIOUS](#) [NEXT](#)

[4.3.1 SYMPTOM : Cutter won't rotate](#)

[4.3.2 SYMPTOM : Motor rotates but cutter doesn't rotate](#)

[4.3.3 SYMPTOM : Noise, vibration](#)

[4.3.4 SYMPTOM : Juice leakage](#)



[TOP](#) [PREVIOUS](#) [NEXT](#)

4.3.1 SYMPTOM : Cutter won't rotate

[TOP](#) [PREVIOUS](#) [NEXT](#)

Cause	Remedy
Main shaft binding	Disassemble and oil, or replace

پ@

[TOP](#) [PREVIOUS](#) [NEXT](#)

4.3.2 SYMPTOM : Motor rotates but cutter doesn't rotate

[TOP](#) [PREVIOUS](#) [NEXT](#)

Cause	Remedy
Gear is worn out	Replace the gear (cutter base)

پ@

[TOP](#) [PREVIOUS](#) [NEXT](#)

4.3.3 SYMPTOM : Noise, vibration

[TOP](#) [PREVIOUS](#) [NEXT](#)

Cause	Remedy
Bad gearing of container and motor	Make the gearing correct
Gear is eccentric (bearing)	Repair or replacement (bearing)
Deformed or broken cutter	Repair or replacement

پ@

[TOP](#) [PREVIOUS](#) [NEXT](#)

4.3.4 SYMPTOM : Juice leakage

[TOP](#) [PREVIOUS](#) [NEXT](#)

Cause	Remedy
Broken container	Replace the container
Bad container base	Replace the packing
Loose fastened part	Fasten it tightly
Main shaft is worn out	Replace the main shaft and bearing

(Notes)

Do not attempt to clean parts with boiling water.

Do not attempt to use fire to quickly dry parts.

Orange juice stains, etc. can be removed by using alcohol or detergent. Avoid using volatile substances when cleaning.

پ@

[TOP](#) [PREVIOUS](#) [NEXT](#)

5 DISASSEMBLY INSTRUCTIONS

[TOP](#) [PREVIOUS](#) [NEXT](#)

[5.1 Coupler\(Fig.1\)](#)

[5.2 Bottom plate and motor\(Fig.1\)](#)

[5.3 Carbon brush\(Fig.1\)](#)

[5.4 Power cord\(Fig.1\)](#)

[5.5 Clamps A and B\(Fig.2\)](#)

[5.6 Switch, Switch plate\(Fig.2\)](#)

[5.7 Clearance adjustment\(Fig.3\)](#)

[5.8 Glass container and cutting blade\(Fig.4, 5, 6\)](#)

پ@

[TOP](#) [PREVIOUS](#) [NEXT](#)

5.1 Coupler (Fig.1)

[TOP](#) [PREVIOUS](#) [NEXT](#)

1. Remove the coupler cap.
2. With the coupler fixed, remove the coupler nut by using a screwdriver.
3. Remove the coupler by pulling it upward.

پ@

[TOP](#) [PREVIOUS](#) [NEXT](#)

5.2 Bottom plate and motor (Fig.1)

[TOP](#) [PREVIOUS](#) [NEXT](#)

1. The bottom plate can be detached by removing the 3 setscrews.
2. Remove the 3 rubber caps and 3 motor screw(upper).
3. Pull out the connection terminal of the motor. Then the motor can be detached.

پ@

[TOP](#) [PREVIOUS](#) [NEXT](#)

5.3 Carbon brush (Fig.1)

[TOP](#) [PREVIOUS](#) [NEXT](#)

1. Remove the motor.
2. Raise the carbon brush terminal claws to detach the carbon brush.

Cautions for Replacement

3. Replace the right and left carbon brushes simultaneously.

پ@

[TOP](#) [PREVIOUS](#) [NEXT](#)

5.4 Power cord (Fig.1)

[TOP](#) [PREVIOUS](#) [NEXT](#)

1. Remove the bottom plate.
2. Remove the power cord from the motor housing and replace it with new one.

پ@

[TOP](#) [PREVIOUS](#) [NEXT](#)

5.5 Clamps A and B (Fig.2)

[TOP](#) [PREVIOUS](#) [NEXT](#)

1. Remove the bottom plate.
2. Detach the“E” clip for each clamp./Then the clamps can be replaced.
3. Clamps A and B are marked with“A” and“B” on the rear side respectively. Therefore, check the marks and install the clamps A and B in correct positions.

پ@

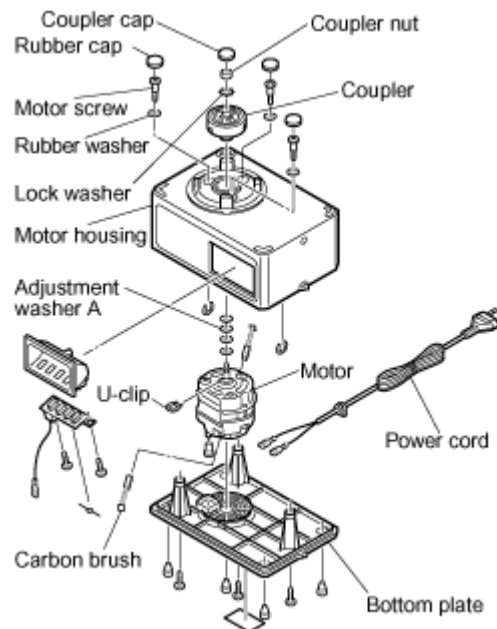
[TOP](#) [PREVIOUS](#) [NEXT](#)

5.6 Switch, Switch plate (Fig.2)

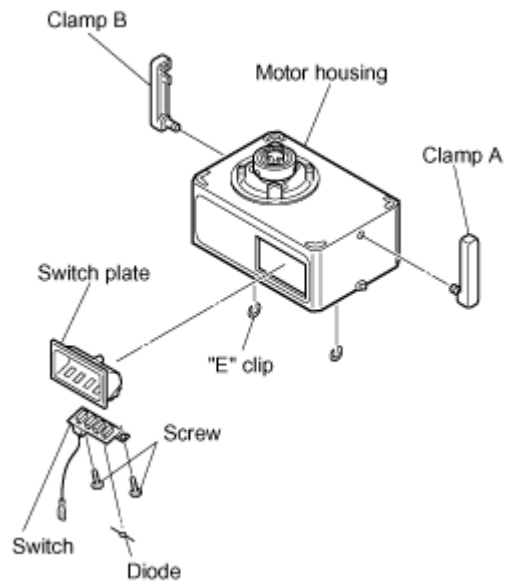
[TOP](#) [PREVIOUS](#) [NEXT](#)

1. Remove the bottom plate.
2. Remove the 2 setscrews of the switch.
3. Pull out the connection terminal of the switch.
4. To remove the switch plate, remove the switch beforehand. Next, remove the two claws of the switch plate out of the motor housing.

(Fig.1)



(Fig.2)



⤵@

[TOP](#) [PREVIOUS](#) [NEXT](#)

5.7 Clearance adjustment (Fig.3)

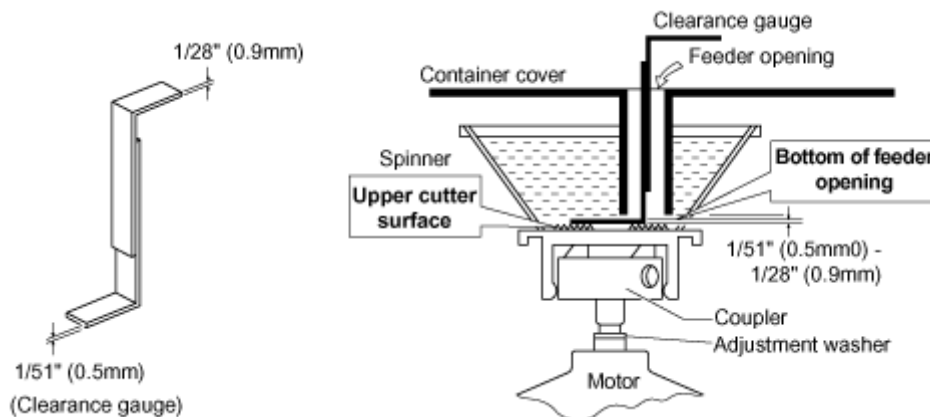
[TOP](#) [PREVIOUS](#) [NEXT](#)

1. Insert the clearance gauge between the upper cutter surface of spinner (extractor) and the bottom of feeder opening. (Fig.3)
2. when the thinner side ($1/51''$... 0.5mm) can be inserted and the thicker side ($1/28''$... 0.9mm) cannot, the clearance is appropriate.
3. If the thicker side ($1/28''$... 0.9mm) can be inserted, the clearance is too large.

In that case, remove the coupler and add some adjustment washers onto the motor shaft.

4. In the thinner side ($1/51''$... 0.5mm) cannot be inserted, the clearance is too narrow./In that case, remove the coupler and take off some adjustment washers from the motor shaft.

(Fig.3)



✿@

[TOP](#) [PREVIOUS](#) [NEXT](#)

5.8 Glass container and cutting blade(Fig.4, 5, 6)

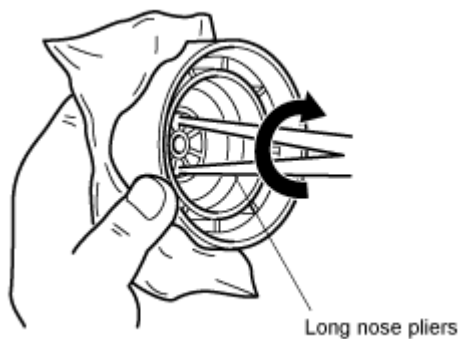
[TOP](#) [PREVIOUS](#) [NEXT](#)

1. Remove the cover, then turn the glass container up–sidedown.
2. Secure the glass cup and turn the mounting ring counterclockwise. [\(Fig.4\)](#)
3. The gasket (upper) can be removed.
4. Wrap the cutting blade with a cloth for protection and secure it.
5. Turn the upper connector clockwise with long nose pliers./Then the cutting blade, and upper connector can be removed. [\(Fig.5\)](#)
6. The parts can be assembled by reversing the disassembly procedure.

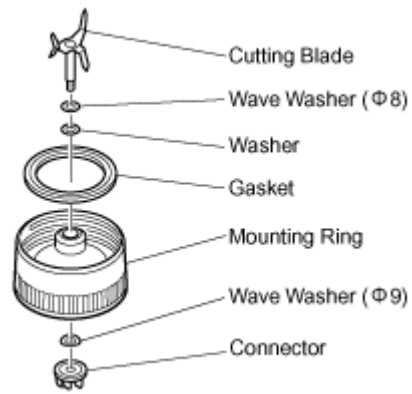
(Fig.4)



(Fig.5)

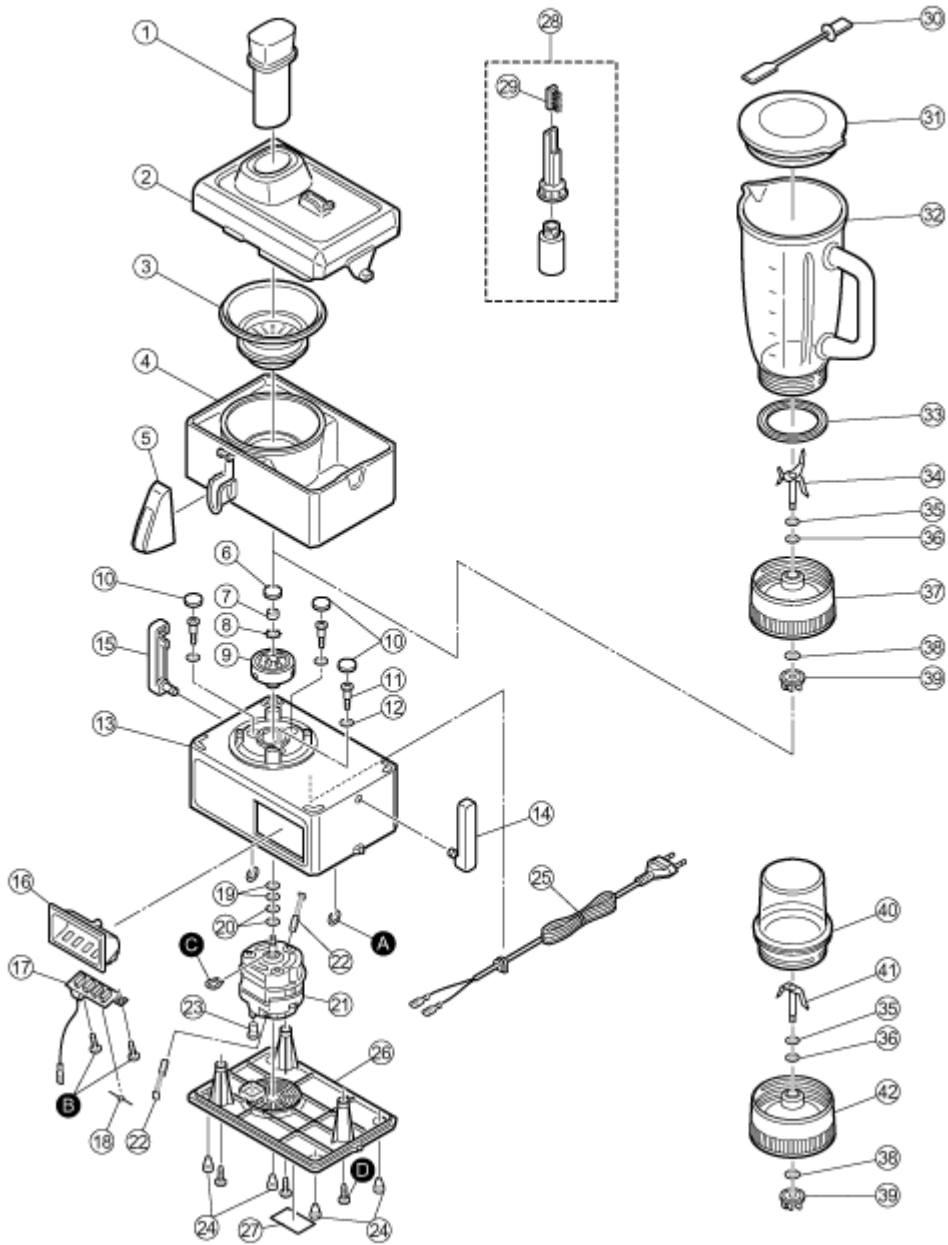


(Fig.6)



پ@

[TOP](#) [PREVIOUS](#) [NEXT](#)








7 REPLACEMENT PARTS LIST

[TOP](#) [PREVIOUS](#)

Important safety notice :

Components identified by  mark have special characteristics important for safety.

When replacing any of these component, use only manufacturer's specified part.

Ref. No.	Part No.	Part Name& Description	Remarks
1	AMJ16B-A00W	Food pusher	
2	AMJ98B-A30SA	Container cover	
3	AMJ99D-660	Strainer	
4	AMJ01B-A003	Container	
5	AMJ15B-A003	Spout cover	
6	AMJ08C-600	Coupler cap	
7	AJF02-108	Coupler nut	
8	AMJ18C-600	Lock washer	
9	AMJ99C-A00	Coupler	
10	AJB04-108	Rubber cap	
11	AMX56A-980	Motor screw	
12	AMJ26A-530	Rubber washer	
13	AJA02Y112-W	Motor housing	
14	AMU88C-J70W	Clamp A	
15	AMU87C-J70W	Clamp B	
16	AMJ13A-K60	Switch plate	
17	AMJ82E-K500Q	Switch	W/Diode 
18	AMX23F-J310B	Diode	
19	AMJ09C-A00	Adjustment washer A	0.2mm
20	AMU64C-J710	Adjustment washer	0.8mm
21	SMS-292A	AC Motor	
22	AMJ16F-K70	Carbon brush	
23	AMJ31A-440	Motor support rubber	
24	AJB05-108-H	Foot	
25	AMJ89E-K500Q	Power cord	C-2P 
26	AMJ30A-K50W	Bottom plate	w/Foot
27	AJ70A-K600E	Rating plate	
28	AMJ14Q-F60W	Cleaning brush	

<u>29</u>	AMJ51B-421W	Brush	
<u>30</u>	AMX08G-R503	Spatula	
<u>31</u>	AMX01B-R60W	Cover	
<u>32</u>	AMX03B-R60	Glass container	
<u>33</u>	AMX05B-831	Gasket	
<u>34</u>	AMX21B-G50	Cutting blade	
<u>35</u>	AMX13B-451	Wave washer	
<u>36</u>	AMX27B-692	Washer	
<u>37</u>	AMU55Q-J70W	Mounting ring	
<u>38</u>	AMX27B-A10	Washer	
<u>39</u>	AMX94B-H10	Connector	
<u>40</u>	AMX61B-L50	Mill container	
<u>41</u>	AMX95B-Q90	Mill cutter	
<u>42</u>	AMU63Q-J70W	Mounting ring	
<u>A</u>	XUC7FM	E-clip	
<u>B</u>	XTB35+12B	+Screw	
<u>C</u>	XUE6FT	U-clip	
<u>D</u>	XTN4+20B	+Screw	
	AJZ50-1091	Operating instactions	
	AMJ61Z-K600E	Individual cartn	
	AMJ62Q-K50	Carrton filler	

Ⓜ@

[TOP PREVIOUS](#)