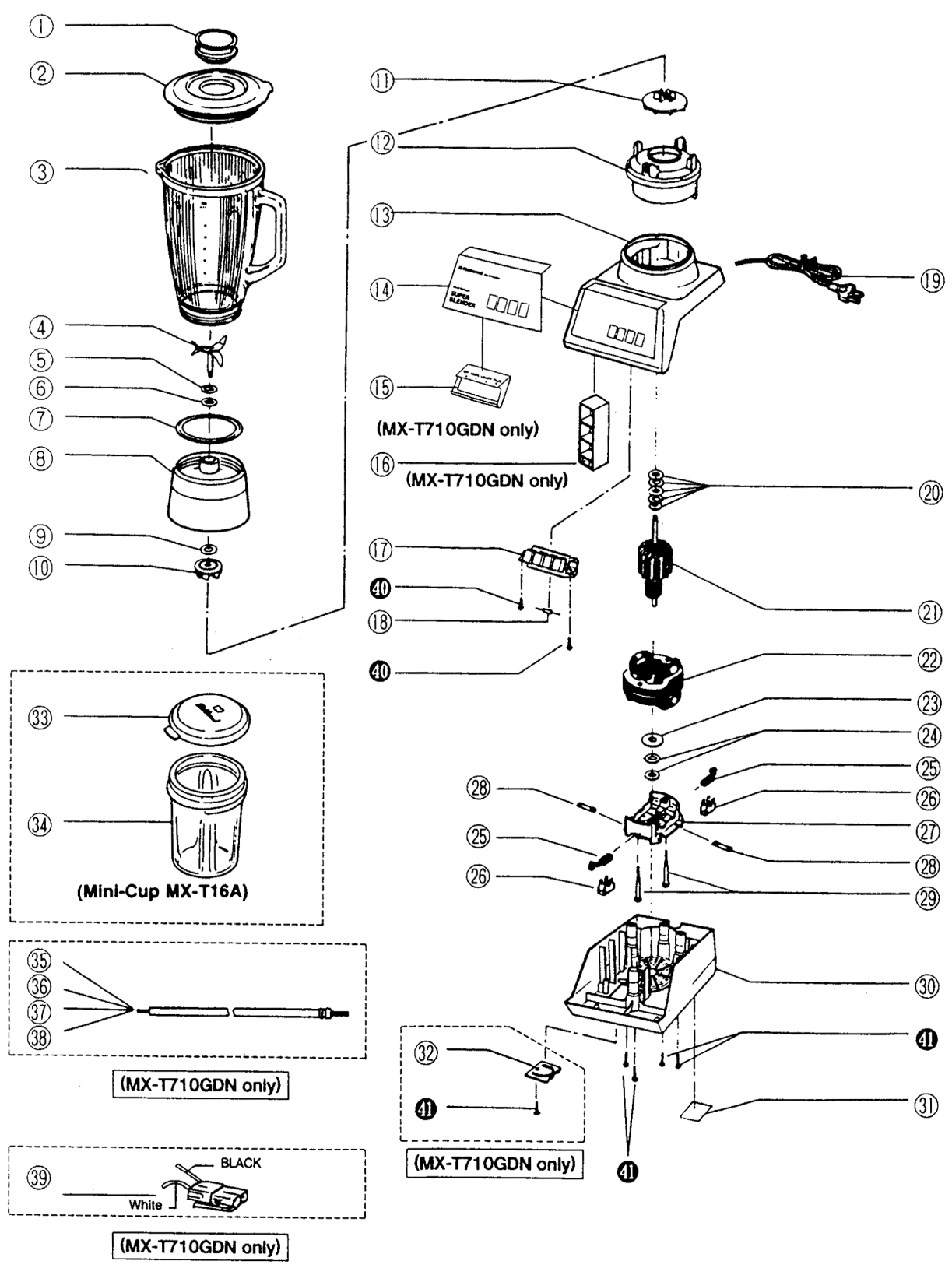


PARTS LOCATION: MODEL NO. MX-T7GN, T710GDN



REPLACEMENT PARTS LIST: Model No. MX-T7GN, T710GDN

*Be sure to make your orders of replacement parts according to this list.

REF NO.	PART NO.	PART NAME	QTY		REMARKS
			MX-T7GN	T710GDN	
1	X0202-040	Measuring cap	1	1	
2	X0201-050D	Cover	1	1	white
3	X0203-090	Glass container	1	1	
4	X0224-060	Cutting blade	1	1	
5	X0217-010	Washer	1	1	
6	X0227-030	Washer	1	1	
7	X0205-050	Gasket (Top)	1	1	
8	X0195-021D	Mounting ring	1	1	white
9	X0227-060	Washer	1	1	
10	X0411-030	Connector (Upper)	1	1	
11	X0401-050	Connector (Lower)	1	1	
12	X0102-030D	Motor housing cover	1	1	white
13	X0101-080	Motor housing	1	1	
14	X0157-140	Front panel	1		
14	X0176-100	Front panel		1	
15	X0157-150	Deco Plate		1	white
16	X0501-010	Voltage connector A		1	
17	X0501-120	Switch	1		220-240V
17	X0501-110	Switch		1	110-130/220V
18	X0511-020	Diode		1	
18	X0510-010	Diode	1		
19	X0550-110	Power cord	1		Continental type 2-P
19	X0550-120	Power cord		1	
20	35-069069	Motor washer A	4	4	
21	92-029564	Rotor	1		220-240V
21	92-029559	Rotor		1	110-130/220V
22	91-029647	Stator	1		220-240V
22	91-029634	Stator		1	110-130/220V
23	35-069068	Motor washer (Lower)	1	1	
24	35-069067	Motor washer B	2	2	
25	53-029013	Carbon brush	2	2	
26	21-029011	Carbon bursh guide	2	2	
27	X0712-020	Frame A	1	1	
28	21-019034	Lead wire terminal	2	4	
29	38-109028	Motor screw	2	2	
30	X0126-030D	Bottom plate	1		white
30	X0126-020D	Bottom plate		1	white
31	X0170-930	Rating plate	1		
31	X0170-990	Rating plate		1	
32	X0134-010	Matal plate		1	
33	X0201-060	Cover	1	1	
34	X0203-110	Mini cup	1	1	
35	X0535-060	Lead wire		1	Red(95mm)
36	X0535-070	Lead wire A		1	Blue(80mm)

REF NO.	PART NO.	PART NAME	QTY		REMARKS
			MX-T7GN	T710GDN	
37	X0535-080	Lead wire B		1	Red(130mm)
38	X0535-090	Lead wire C		1	Blue(175mm)
39	X0533-030	Lead wire set		1	
40	XTN4+10B	Screw	2	2	
41	XTN4+20B	Screw	4	5	
	X0909-480	Operating instructions	1		
	x0909-510	Operating mstructions		1	
	X0901-906	Individual carton	1		
	X0901-910	Individual carton		1	
	X0910-100	Carton filler	1	1	

PACKING INSTRUCTIONS

