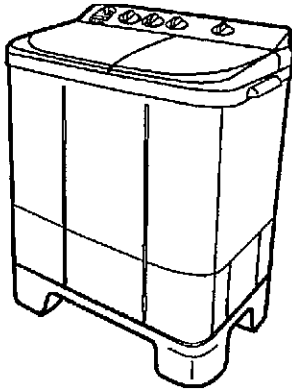


Service Manual



Washing Machine
NA-W7050X
NA-W5050X
 UAE, QATAR, PGF

⚠ WARNING

This service information is designed for experienced repair technicians only and is not designed for use by the general public. It does not contain warnings or cautions to advise non-technical individuals of potential dangers in attempting to service a product. Products powered by electricity should be serviced or repaired only by experienced professional technicians. Any attempt to service or repair the product or products dealt with in this service information by anyone else could result in serious injury or death.

IMPORTANT SAFETY NOTICE

There are special components used in this equipment which are important for safety. These parts are marked by ⚠ in the Schematic Diagrams, Circuit Board Diagrams, Exploded Views and Replacement Parts List. It is essential that these critical parts should be replaced with manufacturer's specified parts to prevent shock, fire or other hazards. Do not modify the original design without permission of manufacturer.

Specifications

Lists		Particulars							
Voltage		220V/50Hz, 240V/50Hz							
Machine Weight		39.5 Kg.							
External Dimension		Width 810 mm. Depth 441 mm. Height 934 mm.							
Rotation	Pulsator r/min.	50Hz:190 r/min.							
	Spin Tub r/min.	50Hz:1,300 r/min.							
Motor	Wash	UAE/PGF , UAE/ONE , Qatar							
		Volt	220~240V/50Hz						
		NA-W7050X	380 Watts						
	Spin	NA-W5050X	300 Watts						
		NA-W7050X	190 Watts						
		NA-W5050X	180 Watts						
Wash Level	NA-W7050X	High	49 L	Mid.	43 L	Low	37 L	Little	21 L
	NA-W5050X	High	45 L	Mid.	39 L	Low	33 L	Little	24 L
Wash Timer		0 To 15 Min.							
Wash selector	REGULAR	4 Sec. ON - 4 Sec. OFF							
	GENTLE	3 Sec.ON - 5 Sec.OFF							
Spin Timer		0 To 5 Min. Mechanical							
Spinning System		Centrifugal type							
Braking System		Mechanical type							

Panasonic®

© 2002 Matsushita Home Appliance (Thailand) Co.,Ltd
 All rights reserved. Unauthorized copying
 and distribution is a violation of law

CONTENTS

Name of part.....	3
Wiring diagram.....	4
Disassembly.....	4-6
Problem analysis.....	7
Location of parts-A.....	8
Replacment part list-A.....	9
Location of parts-B.....	10
Replacment part list-B.....	11
Location of parts-C.....	12
Replacment part list-C.....	13
Packing instruction.....	14
Replacment part packing.....	15

Usage : Using for a repair and changing spare parts for products of washing machines of only Panasonic Model NA-W7050X,NA-W5050X

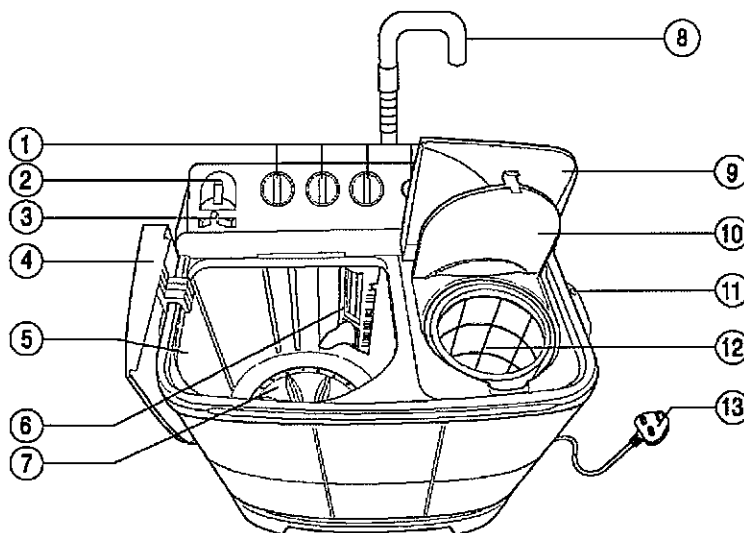
Instruction for Usage : The application for repair and changing spare parts should be operated by skillful technician from the stores of agents for distribution, or service

Warning : As repairing or changing spare parts, prior it shall be switched off, and may by caused for short circuit

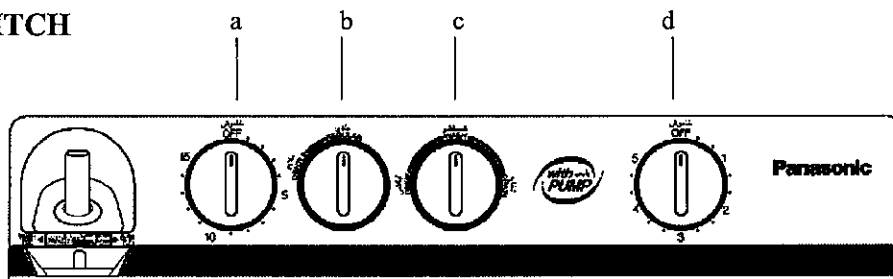
NAME OF PARTS

NA-W7050X, NA-W5050X

1. Control Panel of Washing Tub, Spinner Tub
2. Inlet Hose Connector
3. Water Supply Selector
4. Wash Lid
5. Wash Tub
6. Filter Unit
7. Pulsator
8. Drain Hose
9. Spinner Lid
10. Inner Lid
11. Drain Hose Hanger
12. Spinner Tub
13. Power cord



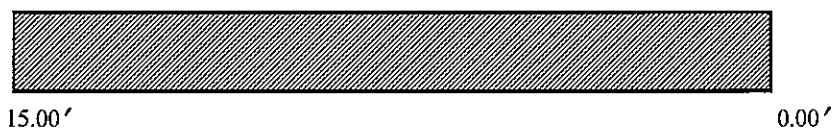
CONTROL SWITCH



NA-W7050X, NA-W5050X

- a) WASH TIMER : After washing or water washing in washing container, the time selection can be operated to wash with wash timer. You can control the wash (WASH/RINSE) time anywhere between 15 minutes of time. If you want to set the timer to 2 minutes or less turn the control beyond the 5 minutes position and then turn it back to the desired position.

Work
(15 Min.)




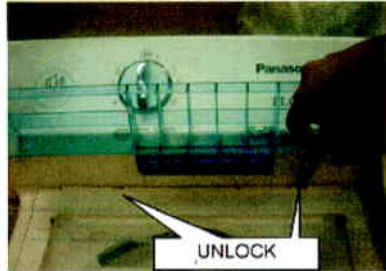
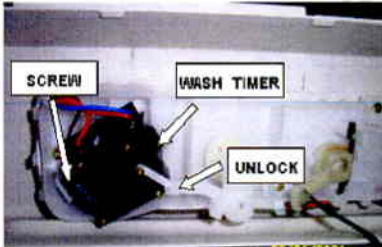
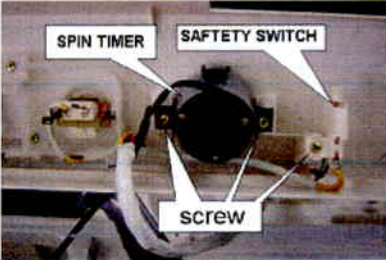
- b) WASH SELECTOR : Selective Knob for washing contains 2 positions
- REGULAR : Using with ordinary fabric
 - GENTLE : Using with plain fabric
- c) CYCLE SELECTOR






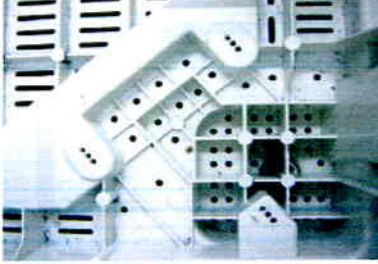
Use this choose between WASH, RINSE and DRAIN

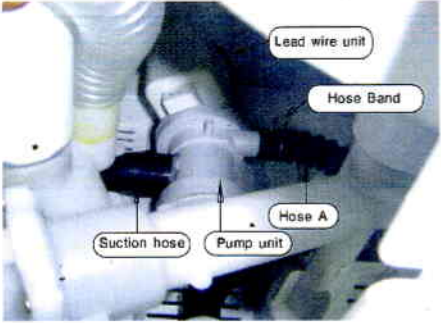

- d) SPIN TIMER : it is determinative tool in order to spin throwing off water. if it is required to stop working, turn anti-clockwise till hearing the sound "click"

DISASSEMBLY

Warning	Warning
Linking an electric circuit between repairing. Please check at the picture of the electric circuit and strictly link the circuit because it may cause a damage or fire.	Before attempting to service or adjust any part of the machine, Disconnect the electrical power supply from the wall outlet

NO.	PICTURE	Step of taking off
1		<p>The tool : Screwdriver, flat screw driver, special screwdriver pincer about 3.5 cm. long</p> <ul style="list-style-type: none"> • Taking panel A off <ol style="list-style-type: none"> 1 Take the 3 switches off knob in front of the machine off. 2 Release the screw next to panel A (3 pieces) as in the 1st picture 3 Open the cover of dry spin tub and release 2 fangs as in the second picture by screwdriver and pull panel A 4 Release the garter at the electric fire and raise panel A
2		<ul style="list-style-type: none"> • Taking wash timer (setting clock washing time) 3rd picture <ol style="list-style-type: none"> 5 Take valve roc C off 6 Release the tape that twist around the wire of Wash Timer 7 Release the screw of Wash Timer and pull the wash 8 Cut the wire of Wash Timer
3		<ul style="list-style-type: none"> • Taking spin timer 4th picture <ol style="list-style-type: none"> 5 Release the tape that twist around the wire of spin timer 6 Release the screw of spin timer and pull spintimer. While pulling it, You must twist timer to the position "OFF" 7 Cut the wire of spin timer
4		<ul style="list-style-type: none"> • Taking safety switch off 4th picture <ol style="list-style-type: none"> 5 Release the tape from the wire of safety switch. 6 Release screw of safety switch 7 Cut the wire of safety switch.

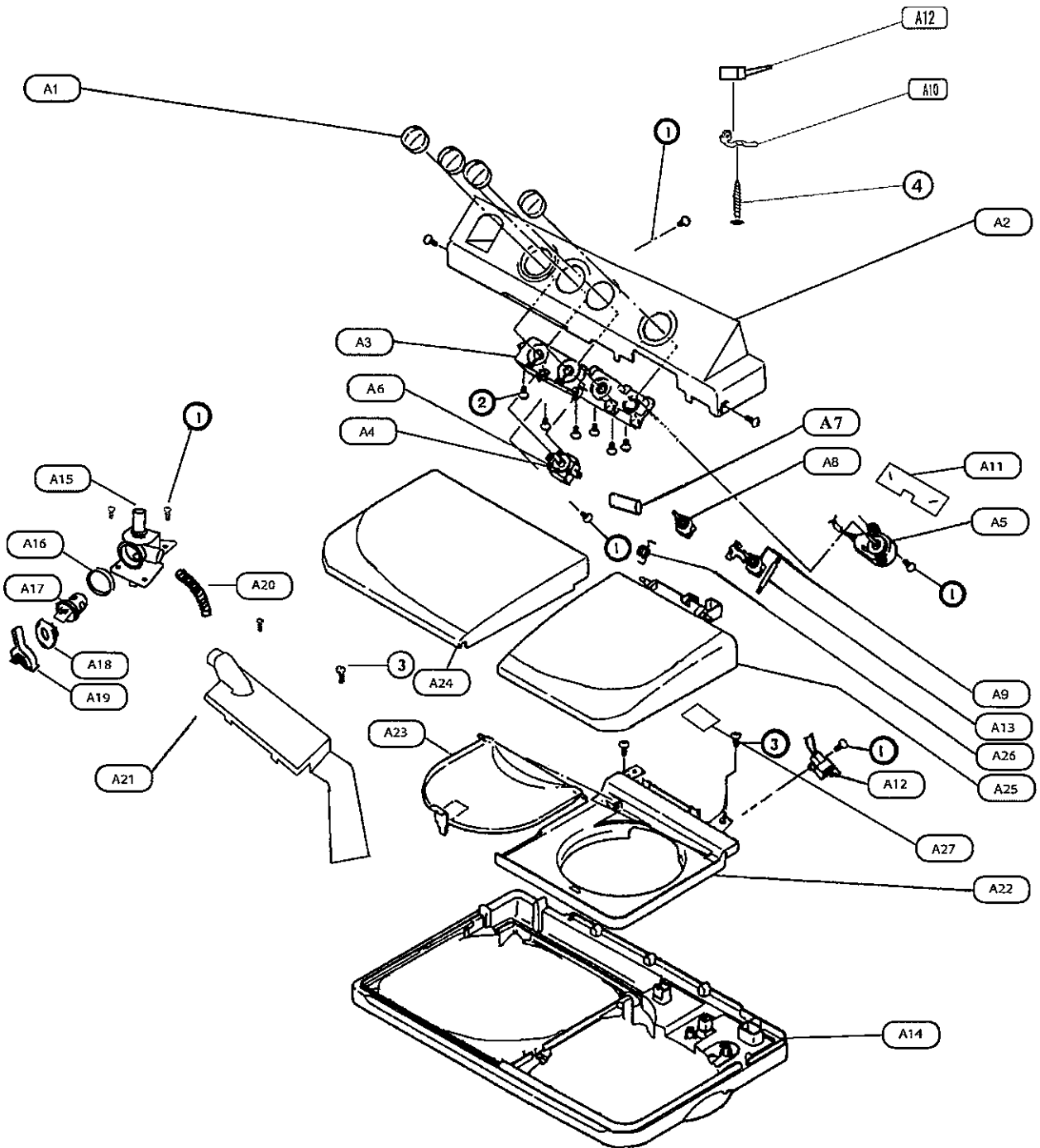
NO.	PICTURE	Steps of Taking off
6		<ul style="list-style-type: none"> ● Take motor wash off
7		<ol style="list-style-type: none"> 1. Take the back panel off by release 1 screw and 4 locked fang and slide back panel then turn upside down the machine on the floor with something that protect the machine from the floor (the 6th picture). 2. Take valve rod C off 3. Release nut and bolt that hold coupling together with brake wheel of motor spin as the 10th picture 4. Release the flexible wire unit from motor spin as the 10th picture 5. Take off v-belt from impeller Pulley and motor wash as the 8th picture 6. Release the 10 screws of base A and tub A by using the special screwdriver and pull its base as the 7th picture 7. Cut the wire of motor wash and take off the 3 bolt of motor wash then can raise motor wash.
8		<ul style="list-style-type: none"> ● Take motor spin off
9		<ol style="list-style-type: none"> 1. Take the back panel off by release 1 screw and 4 locked fang and slide panel then turn upside down the machine on the floor with something that protect the machine from the floor 2. Tack valve Rod C off 3. Release nut and bolt that hold coupling together whit brake wheel of motor spin as the tenth picture 4. Release the flexible wire unit from motor spin as the tenth picture 5. Take off v-belt from impeller pulley and motor wash asthe 8th picture 6. Release the 10 screws of base a and tub A by using the special screwdriver and pull its base as the 7th picture 7. Cut the wire of the motor spin and release locked fang of suspension holder B of 3 motor spin then you can raise
10		<ul style="list-style-type: none"> ● Adjust the v-belt
11		<ul style="list-style-type: none"> ● Adjustment of motor's brake

NO.	PICTURE	Steps of Taking off
12	 	<ul style="list-style-type: none"> ● To take off Pump <ol style="list-style-type: none"> 1. Take the back panel off by release 1 screw and 4 locked fang and slide back panel then turn upside down the machine on the floor with something that protect the machine from the floor. 2. Take the small back panel off by release 2 screw and slide up small back panel. 3. Take off lead wire unit (the 12th picture). 4. Take off hose band and hose A away pump unit (the 12th picture). 5. Take off suction hose A away pump unit (the 12th picture). 6. Release the 3 screw (the 13th picture) of pump unit at base A then you can raise pump unit.
13		

PROBLEM ANALYSIS

DAMAGE	POSSIBLE MOTIVE	IMPROVEMENT
General Machine does not work	<ul style="list-style-type: none"> - loose-fitting plug - electric current problem - machine's input wire was torn 	<ul style="list-style-type: none"> - pull a cut-out and tight it or change the new one. - change a fuse or reset circuit breaker - change the new wire
Washing system Washing motor does not work	<ul style="list-style-type: none"> - a contact of wash timer was out of action - motor's coil was torn - capacitor was short or torn - a wire got loose at the linked point of wash timer's leg - a wire was torn 	<ul style="list-style-type: none"> - change wash timer - change motor wash - change capacitor - solder again - put together tightly or change the new one
Loudly motor does not work and can not start	<ul style="list-style-type: none"> - washing propellant was locked - capacitor was short or torn 	<ul style="list-style-type: none"> - fix the part that have problem or take something that hinder out - change capacitor
Washing motor spin only one way	<ul style="list-style-type: none"> - two-way contact of wash selector was out of action 	<ul style="list-style-type: none"> - change wash timer
Washing motor works in two-way but in one-way it spins too long	<ul style="list-style-type: none"> - contact of washing timer was out of action 	<ul style="list-style-type: none"> - change wash timer
Clothes was torn after washing	<ul style="list-style-type: none"> - the quantity of clothes and water are not balanced 	<ul style="list-style-type: none"> - introduce the users the way to use the machine - fix or replace the new lathe-strap
Clothes was torn after washing	<ul style="list-style-type: none"> - clearance between washing propellant and tub doesn't correct - there is sharpness of the screw's head of washing propellant - too little water 	<ul style="list-style-type: none"> - adjust washing propellant to be equal with a tub - erase sharpness or change a new screw - add water so that clothes can float and easily are spin
Dry spin system Dry spin tub doesn't spin	<ul style="list-style-type: none"> - a cover of dry spin tub was opened - break was out of action - break strap got loose or was torn - safety strap wasn't in the right position - capacitor was short or torn - coil of dry spin motor was torn of dry spin tub was torn - brake wheel's screw was not tight - spin timer was out of action - the link point of spin timer or capacitor got loose - litter colled around coupling shaft 	<ul style="list-style-type: none"> - close a cover of dry spin tub - adjust clearance of brake wheel and brake strap by do it at the brake strap - put it agin or change the new strap - adjust the position - change the capacitor - change new motor - screw tightly - change spin timer - link agin - take litter out
Dry spin tub vibrated	<ul style="list-style-type: none"> - the machine was on the unstable area - outer tub buffer was out of action - clothes inside the dry spin tub was not balanced - middle axis of dry spin tub grazed with something that fallen into outer tub cover 	<ul style="list-style-type: none"> - put the machine on the stable area - change outer tub buffer A - adjust suspension - take litter that fallen into outer tub cover out
Drain valve was not closed	<ul style="list-style-type: none"> - there's litter fallen inside the space between valve frame and valve packing - valve packing was out of action - screw of pulley at the side of motor was loose 	<ul style="list-style-type: none"> - take off valve lid assembly and litter - change all set of outer tub buffer A - screw tightly
Pump system does not work	<ul style="list-style-type: none"> - a contact of pump was out of action - motor's coil was torn - capacitor was short or torn - a wire got loose at the linked point of pump's leg - a wire was torn 	<ul style="list-style-type: none"> - check point of connector again - change capacitor - solder again - put together tightly or change the new one
Others Water leaked	<ul style="list-style-type: none"> - outer tub buffer A was out of action - drain pipe was torn - overflow pipe was broken - tub A was broken 	<ul style="list-style-type: none"> - change outer tub A - change new pipe - change overflow - change tub A

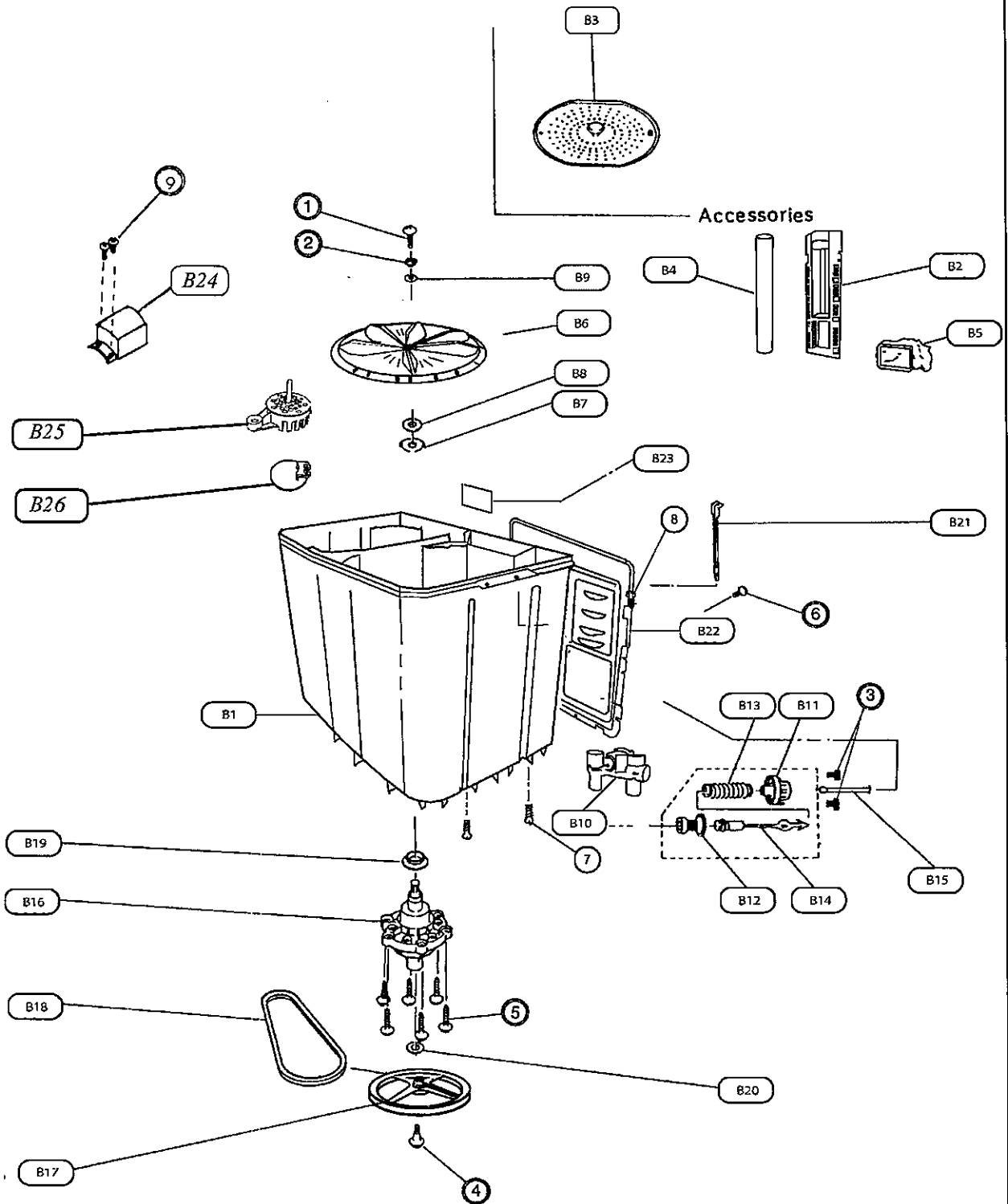
LOCATION OF PARTS-A



REPLACEMENT PARTS LIST-A

REF.NO.	DESCRIPTION	PART NO.	PCS/SET	REMARKS
A1	TIMER KNOB A	AXW6050DC00M	4	*For QAT, UAE, OMA,UAE/PGF,SAU
A2	PANEL A	AXW1300GX00	1	NA-W7050X *For QAT, UAE, OMA, UAE/PGF
A2	PANEL A	AXW1300GY00	1	NA-W5050X
A3	SWITCH COVER	AXW0184-0DG5	1	NA-W7050X ,NA-W5050X
A4	TIMER SWITCH WASH	AXW601-28000	1	NA-W7050X ,NA-W5050X
A5	TIMER SWITCH SPIN	AXW601-15710	1	NA-W7050X ,NA-W5050X
A6	WRINGER FRAME PACKING	AXW212-0M20A	1	
A7	INSULATION TUBE A	AXW04730FM00	3	** SAFETY SWITCH
A8	VALVE LEVER A	AXW911-0AR0A	1	
A9	VALVE LEVER A	AXW911-04L10	1	
A10	SAFETY SWITCH PLATE A	AXW16630G20A	1	
A11	MAGNET BOARD	AXW1197-0DC0	1	
A12	SAFETY SWITCH	AXW1661-2142	1	NA-W7050X ,NA-W5050X
A12	SAFETY SWITCH	AXW1661-2150	1	NA-W7050X ,NA-W5050X
A13	FLAT SPRING	AXW951-01G00	1	
A14	BODY B	AXW1020DC00M	1	*For QAT, UAE, OMA,UAE/PGF,SAU
A14	BODY B	AXW1020DD00M	1	*For QAT, UAE, OMA,UAE/PGF,SAU
A15	FEEDING PORT A	AXW0265-0DC1	1	
A16	JOINT PACKING	AXW1292-0DC0	1	
A17	VALVE ROTOR	AXW0904-0DC0	1	
A18	CAP A	AXW0514-0DC0	1	
A19	VALVE KNOB	AXW9610DC00M	1	*For QAT, UAE, OMA,UAE/PGF,SAU
A20	FEED HOSE B	AXW1260-0DC0	1	
A21	NOZZLE HOLDER	AXW0839-0DC1	1	
A22	OUTER TUB COVER	AXW3224DC00M	1	*For QAT, UAE, OMA,UAE/PGF,SAU
A22	OUTER TUB COVER	AXW3224DD00M	1	*For QAT, UAE, OMA,UAE/PGF,SAU
A23	INNER LID	AXW200-0H30A	1	NA-W5050X
A23	INNER LID	AXW200-04L00	1	NA-W7050X
A24	LID	AXW1590DC00M	1	NA-W7050X*For QAT, UAE, OMA,UAE/PGF,SAU
A24	LID	AXW1590DD00M	1	NA-W5050X
A25	SPINNER LID	AXW3102DC00M	1	*For *For QAT, UAE, OMA,UAE/PGF,SAU
A25	SPINNER LID	AXW3102DD00M		
A26	LID HINGE SPRING	AXW1116-0DC0	1	
A27	SPINNER LID LABEL	AXW11170AT8A	1	*For QAT, UAE, OMA,UAE/PGF,SAU
1	BIND TAPPING SCREW	XTB4+12CJ	8	
1	BIND TAPPING SCREW	XTB4+12CJ	3	
2	BIND TAPPING SCREW	XTN4+12CJ	1	NA-W7050X ,NA-W5050X
3	BIND TAPPING SCREW	XTB4+15CJ	3	
		XTB4+15CUJ	1	(STAINLESS) AT UNDER OUTER TUB COVER
4	BIND TAPPING SCREW	XTB3+16BFJ	1	SAFETY SWITCH

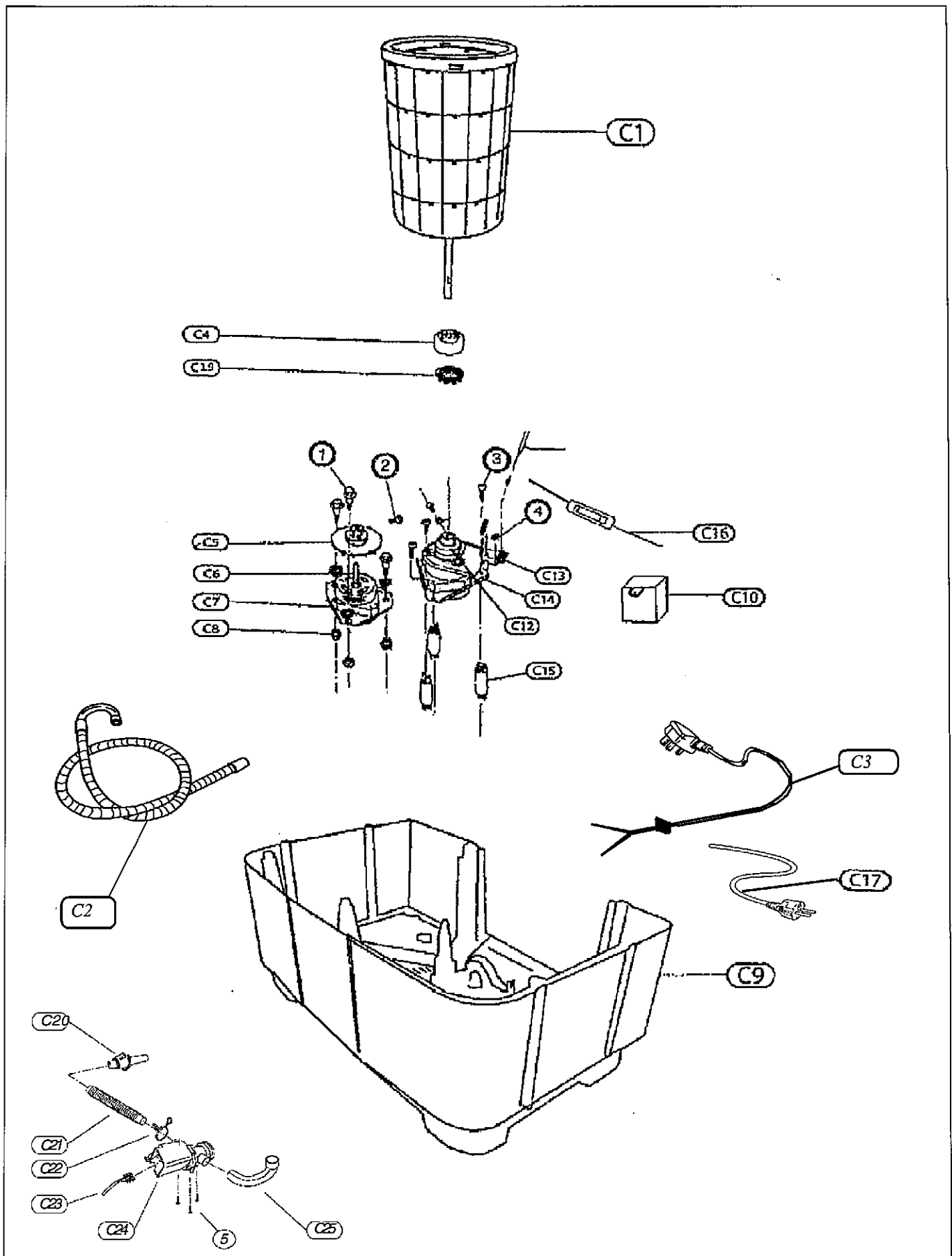
LOCATION OF PARTS-B



REPLACEMENT PARTS LIST-B

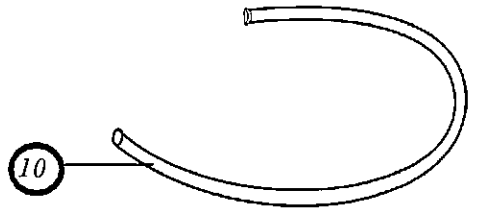
REF.NO.	DESCRIPTION	PART NO.	PCS/SET	REMARKS
B1	TUB A	AXW2010DC10M	1	*For QAT, UAE/ONE, UAE/PGF
B1	TUB A	AXW2010DD10M	1	*For QAT, UAE/ ONE, UAE/PGF
B2	OVERFLOW FILTER A	AXW2760DG60M	1	*For QAT, UAE/ ONE, UAE/PGF
B3	SPINNER CAP	AXW3215-G20A	1	NA-W7050X
B3	SPINNER CAP	AXW3215-0L00	1	NA-W5050X
B4	OVERFLOW PIPE	AXW0208-0L00	1	
B5	FILTER UNIT	AXW022A-01G0	1	
B6	PULSATOR UNIT	AXW005E-0DF0	1	NA-W7050X
B6	PULSATOR UNIT	AXW005E-0DD0	1	NA-W5050X
B7	SHAFT BUSHING	AXW0504-0DC0	1	
B8	BEARING CASE PACKING	AXW2015-4L0	1	
B9	O-RING	AXW257-80200	1	
B10	VALVE FRAME A	AXW0901-0DC0	1	
B11	VALVE LID A	AXW0903-H20A	1	
B12	VALVE PACKING	AXW909-00G00	1	
B13	VALVE SPRING	AXW922-4L0	1	
B14	VALVE ROD B	AXW981-0H20A	1	
B15	VALVE ROD A	AXW0932-0DC0	1	NA-W7050X
B15	VALVE ROD A	AXW0932-0DD0	1	NA-W5050X
B16	BEARING CASE UNIT	AXW020A-0H30	1	NA-W7050X , NA-W5050X
B17	IMPELLER PULLEY	AXW0502-0DF0	1	
B18	V-BELT	AXW412-0L000	1	
B19	BEARING CASE WASHER A	AXW507-00G0A	1	
B20	PULSATOR SHAFT WASHER	AXW532-1060A	1	
B21	ACTUATING LEVER A	AXW3469-0GAA	1	
B22	BACK PANEL	AXW0156-0DC0	1	
B23	SPECIFICATION PLATE	AXW0153-0GX0	1	NA-W7050X
B23	SPECIFICATION PLATE	AXW0153-0GY0	1	NA-W5050X
B24	DRAIN PLATE	AXW11150DD0M	1	NA-W5050X
B25	SPINNER FILTER A	AXW32240G20A	1	
B26	CHECK VALVE PACKING	AXW974-01G00	1	
1	SPECIAL WASHER	XSSAXW673	1	
2	SPECIAL WASHER	X-W0651	1	
3	BIND TAPPING SCREW	XTB4+12CJ	2	
4	SPECIAL BOLT	XVGAXW653B	1	
5	BIND TAPPING SCREW	XTWAXW514B	6	
6	BIND TAPPING SCREW	XTB4+12CJ	4	
7	BIND TAPPING SCREW	XTB4+12CJ	4	
8	BIND TAPPING SCREW	XTB4+15CJ	9	
9	SPECIAL TAPPING SCREW	XTWAXW436	2	

LOCATION OF PARTS-C

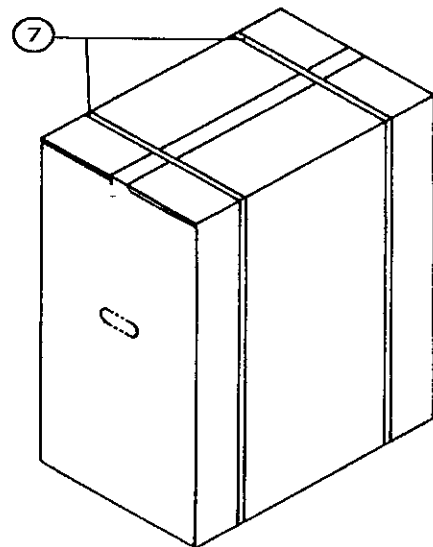
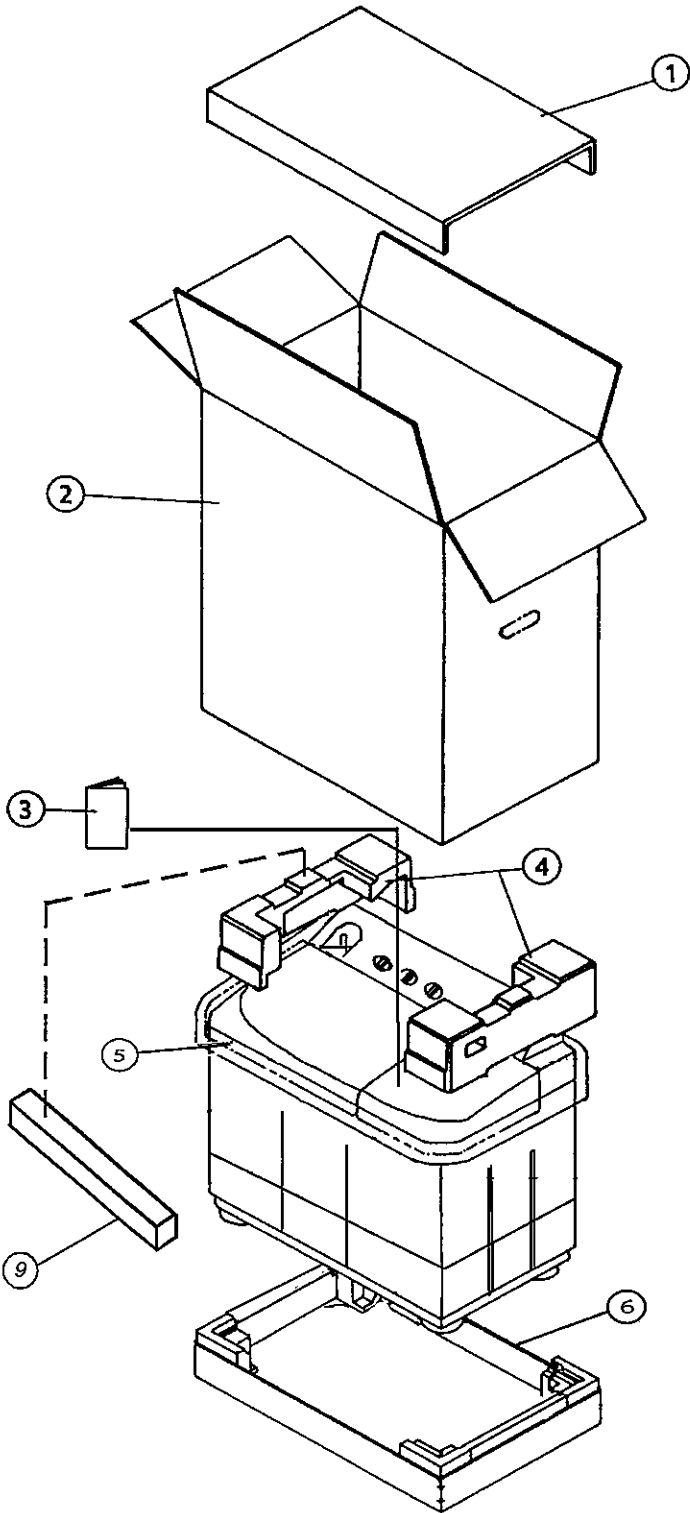
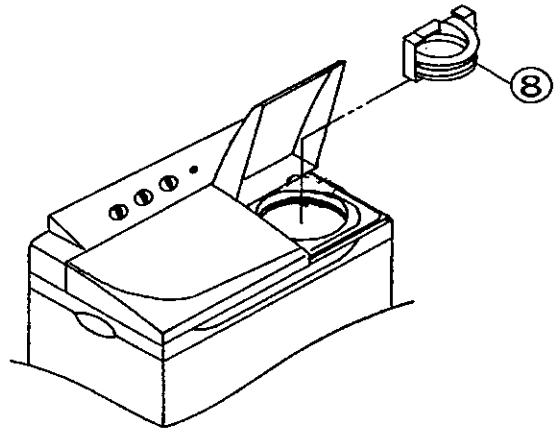


PACKING INSTRUCTION

ACCESSORIES



SPINNER CAP



REPLACEMENT PARTS PACKING

REF.NO	DESCRIPTION	PART NO.	PCS/SET	REMARKS
1	UPPER PAD	AXW9007-0DC0	1	NA-W7050X
1	UPPER PAD	AXW9007-0DD0	1	NA-W5050X
2	CASE A UNIT	AXW9001-0GX0	1	NA-W7050X
2	CASE A UNIT	AXW9001-0GY0	1	NA-W5050X
3	OPERATING INSTRUCTION	AXW9901-0GX0	1	*FOR QAT, UAE/PGF, UAE/ONE (NA-W7050X, NA-W5050X)
4	SIDE CUSHION	AXW9004-0DC1	2	NA-W7050X
4	SIDE CUSHION	AXW9004-0DD1	2	NA-W5050X
5	POLYETHYLENE	AXW9060-04L0	1	
6	CASE B UNIT	AXW090B-0DC5	1	NA-W7050X
6	CASE B UNIT	AXW090B-0DD0	1	NA-W5050X
7	PACKING BELT	AXW90951512A	1	
8	SPIN TUB SUPPORT FOAM	AXW9085-0L00	1	NA-W5050X
8	SPIN TUB SUPPORT FOAM	AXW90850BX0A	1	NA-W7050X
9	SUB PROTECTION	AXW9014-0DC0	1	NA-W7050X
9	SUB PROTECTION	AXW9014-0DD0	1	NA-W5050X
10	HOSE A UNIT	AXW002D-4444	1	