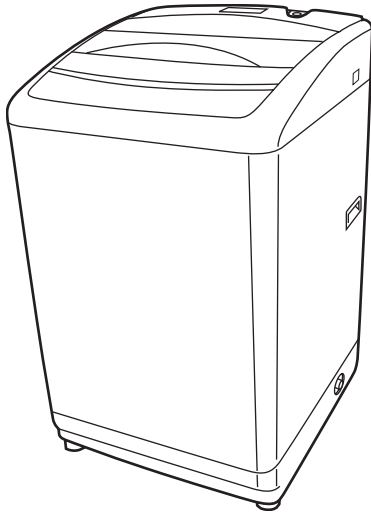


Service Manual



Fully Automatic Washing Machine
NA-F80B1, NA-F80T1, NA-F80H1
NA-F90T1, NA-F90H1
NA-F1011T

Product Colour

Silver (A), White (D), Grey (J)

Destination

Thailand, Indonesia, Vietnam, Malaysia,
Singapore (Local), India, Singapore (Export),
Fiji, Philippine, Tahiti, UAE (Local), Kuwait

⚠ WARNING

This service information is designed for experienced repair technicians only and is not designed for use by the general public. It does not contain warnings or cautions to advise non-technical individuals of potential dangers in attempting to service a product. Products powered by electricity should be serviced or repaired only by experienced professional technicians. Any attempt to service or repair the product or products dealt with in this service information by anyone else could result in serious injury or death.

IMPORTANT SAFETY NOTICE

There are special components used in this equipment which are important for safety. These parts are marked by ⚠ in the Schematic Diagrams, Circuit Board Diagrams, Exploded Views and Replacement Parts List. It is essential that these critical parts should be replaced with manufacturer's specified parts to prevent shock, fire or other hazards. Do not modify the original design without permission of manufacturer.

CONTENTS

	Page
1. SPECIFICATIONS	3
2. FEATURES AND TECHNICAL INFORMATION	4-5
3. INSTALLATION	6-7
4. OPERATIONS PANEL	8-9
5. WIRING DIAGRAM	10
6. TABLE OF ERRORS	11
7. TROUBLESHOOTING	12-14
8. DISASSEMBLY INSTRUCTION	15
9. LOCATION OF PARTS AND REPLACEMENT PARTS	16-29

Usage: For repairs and change of spare part only for washing machine type
Panasonic Model **NA-F80B1/NA-F80T1/NA-F80H1/NA-F90T1/NA-F90H1/
NA-F1011T**

Instruction
for Usage: The work repair and changing of space part should be operated by a skilled
technician from the distribution agents, or Panasonic's standard service center.

Warning: Switch off electrical power before commencing work to avoid a potential short
circuit or injury.

1. SPECIFICATIONS

MODEL		NA-F80B1	NA-F80T1	NA-F80H1	NA-F90T1	NA-F90H1	NA-F1011T
Rate Voltage And Frequency	220V/50Hz	Thailand, Vietnam, Sin(Exp)	Thailand, Vietnam	Thailand, Vietnam, UAE(Exp)	Thailand, Vietnam, Sin(Exp), Fiji, UAE(Exp)	Thailand, Vietnam, Sin(Exp), UAE(Exp)	Indonesia
	230V/50Hz	Singapore, India	Singapore, India	Singapore	Singapore	Singapore, India	
	230V/60Hz				Philippines		
	240V/50Hz	Malaysia	Malaysia	Malaysia, UAE(Loc), Kuwait, Oman, Qatar	Malaysia, UAE(Loc), Kuwait, Oman, Qatar	Malaysia, UAE(Loc), Kuwait, Qatar	
Colour		Gray (J)	White (D)	Silver (A)	White (D)	Silver (A)	White (D)
Rate Power Consumption (Wash / Spin)	220V/50Hz	430W / 235W			450W / 240W		
	230V/50Hz	440W / 245W			460W / 250W		
	230V/60Hz	510W / 340W			510W / 340W		
	240V/50Hz	450W / 260W			470W / 265W		
Standard Water Consumption		172 Liter			177 Liter		
Standard Capacity		8 Kg			9 Kg		
Weight (with accessories)		41 Kg			41 Kg		
Pulsator (r.p.m.)		110 r / min					
Spin Tub (r.p.m.)		740 r / min					
Water Pressure		0.3 - 10 Kg.f / cm ² (8 - 25 liter / min)					
External Dimension		Width : 643mm. × Depth : 637mm. × Height : 1042mm.					
Net Weight		41 Kg					
Motor Power		Input : 320 Watts / Output : 180 Watts					
Safety Switch		Checking Unbalance / Tub Lid					
Alarm		Rings When Finishing Washing Or Unusual					
Thermoprotector		Motor					
Water Inlet Hole		○					
Fabric Softener Dispensor		○					
Filter		○					
Automatic Power-Cut Switch		○					
Bleach Dispensor		○			○		

Standard Water Consumption
Model NA-F80B1 / NA-F80T1 / NA-F80H1

Wash Level	Water Only	Clothes Weight	
High	77 Liters	8.0 Kgs	69 Liters
<High Lower>	72 Liters	6.0 Kgs	65 Liters
Medium	65 Liters	5.0 Kgs	60 Liters
<Medium Lower>	61 Liters	4.2 Kgs	56 Liters
Low 1	55 Liters	3.5 Kgs	52 Liters
<Lower 1 Lower>	51 Liters	2.5 Kgs	48 Liters
Low 2	45 Liters	1.5 Kgs	43 Liters
<Lower 2 Lower>	41 Liters	1.1 Kgs	38 Liters
Low 3	35 Liters	0.8 Kgs	33 Liters
<Lower 3 Lower>	18 Liters	0.3 Kgs	18 Liters

Standard Water Consumption
Model NA-F90T1 / NA-F90H1

Wash Level	Water Only	Clothes Weight	
High	77 Liters	9.0 Kgs	71 Liters
<High Lower>	72 Liters	6.0 Kgs	65 Liters
Medium	65 Liters	5.0 Kgs	60 Liters
<Medium Lower>	61 Liters	4.2 Kgs	56 Liters
Low 1	55 Liters	3.5 Kgs	52 Liters
<Lower 1 Lower>	51 Liters	2.5 Kgs	48 Liters
Low 2	45 Liters	1.5 Kgs	43 Liters
<Lower 2 Lower>	41 Liters	1.1 Kgs	38 Liters
Low 3	35 Liters	0.8 Kgs	33 Liters
<Lower 3 Lower>	18 Liters	0.3 Kgs	18 Liters

2. FEATURES AND TECHNICAL INFORMATION

Model NA-F80B1 / NA-F80T1 / NA-F80H1 / NA-F90T1 / NA-F90H1 / NA-F1011T

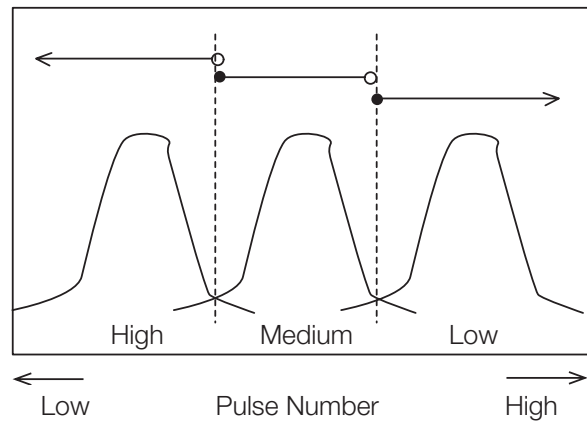
Program	Time
Normal	Approx. 47~56 min.
Mini	Approx. 20 min.
Soak	Approx. 107 min.
High Speedy	Approx. 21~27 min.
Blanket	Approx. 55 min
Delicate	Approx. 29-32 min
Tub Hygiene	Approx. 150 min
Soak 1 hour	Approx. 107 min
Soak 8 hour	Approx. 527 min

Product special features

- Dial indicating detergent level after sensing wash level
- Pre-set timer
- Fabric softener dispenser
- Detergent dispenser
- Automatic power-off when finish
- Dial indicating unusual sign (LED will blink)
- Alarm ON-OFF
- Overflow sensing device.
- Ag Shower (NA-F80H1 / NA-F90H1 only)
 - This has the disinfection effect with Ag+.
 - This can be used for the course marked with ★.

Weight Sensor

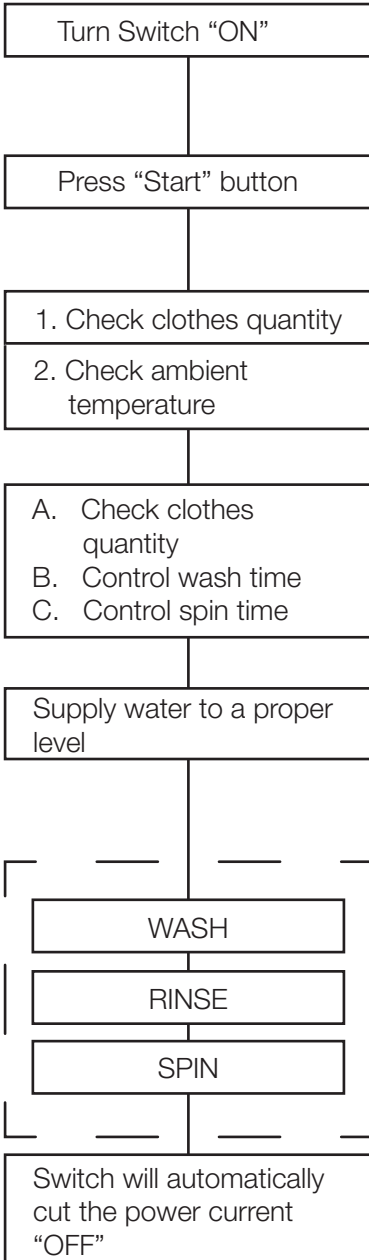
The weight is sensed by the moving force of the Pulsator, which changes a capacitor pole and releases a signal wave. The wave is changed into a pulse number from which the clothes weight is sensed. Prior to weight sensing for Normal and Strong program, the machine runs without water by spinning the Pulsator to left and right for 4.2 seconds (ON 0.3 second-OFF 0.4 second). The motor stops (OFF), a water system counts the pulse number, then calculates the accumulated pulse numbers for drawing water into the tub over a defined level. The dial will indicate High wash level.



2. FEATURES AND TECHNICAL INFORMATION


Function Control with Fuzzy sensor

Clothes quantity checking, wash level indication and detergent consumption indication with Fuzzy Logic System

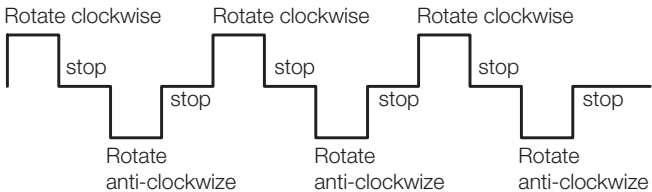


1. Check clothes quantity and specify the amount of detergent

<Checking Method>
Check cross pressure at the capacitor while the Pulsator operates without water.



<Motor status>



2. Temperature checking
Check temperature in the atmosphere when the machine starts. In case of low temperature, wash timer and spin timer are extended automatically so that washed clothes are as clean as washing in high temperature.

1. Wash timer and spin timer with checked clothes quantity

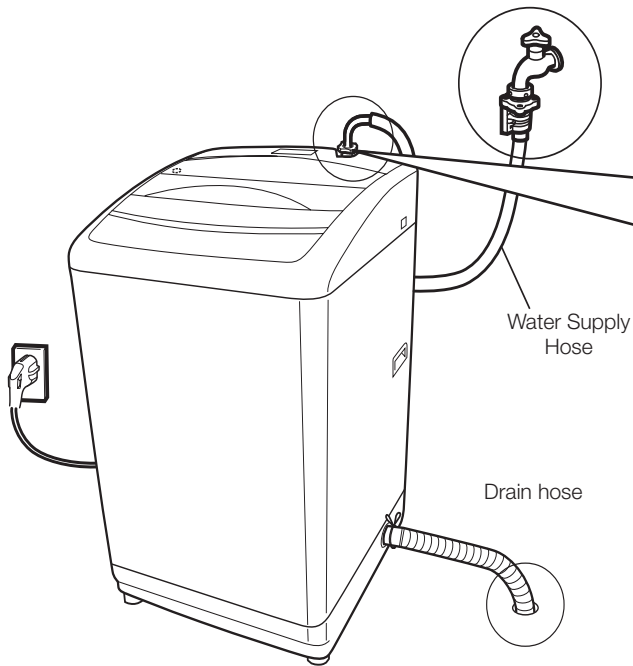
	High 3.0 Kg and more	Medium 1.2 Kg~3.0 Kg	Low 0 Kg~1.2 Kg
Wash Timer	12 min.	12 min.	9 min.
Spin Timer	6 min.	6 min.	5 min.

2. Additional wash timer and spin timer as temperature increases

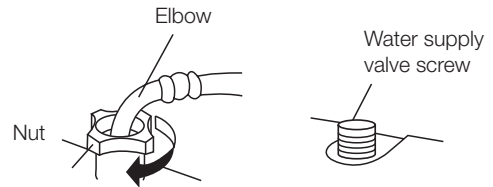
External temp.	25°C	15°C	5°C	30°C
Wash Timer	+0 min.	+2 min.	+3 min.	-1 min.
Spin Timer	+0 min.	+1 min.	+2 min.	+0 min.

3. INSTALLATION

3.1 Checking of Placement



Connect the water supply hose to the water supply valve screw.



1. Push the water supply hose nut straight onto the water supply valve screw.
2. Hold the elbow by lifting it up, screw the nut onto the water supply valve screw, and firmly tighten the nut.
3. After the nut is tightened, check whether or not the elbow is unsteady or loose.
4. After tightening, open the faucet to confirm that there is no water leakage.

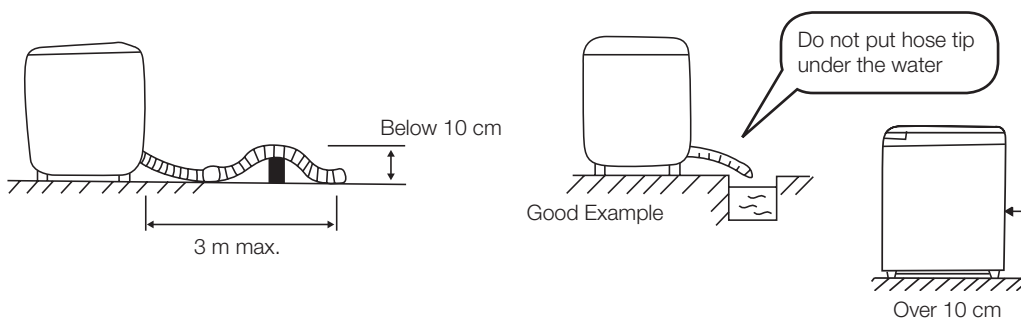
[Cautions]

Firmly tighten the nut, otherwise water leakage will result.

Water Pressure Rating :
 $2.9 \times 10^4 \sim 9.8 \times 10^5 \text{ Pa}$

Hose extension

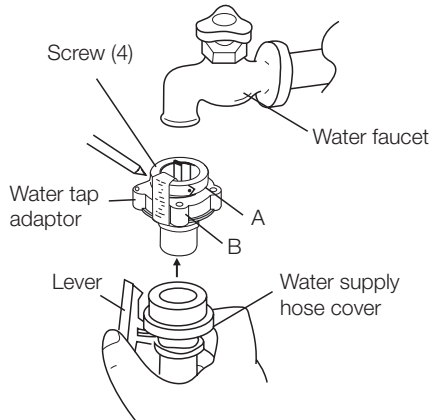
If extended external part is necessary when connecting the drain hose, the length of the drain hose should be less than 3 m and the height should be below 10 cm.



Install the machine 10 cm or more away from the wall.

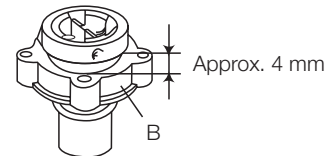
3. INSTALLATION

3.2 Connect the water supply hose



[Note]

- Firmly tighten part B of the water tap adaptor, otherwise water leakage will result.
- When the hose must be reinstalled (after you remove, for example), turn B to the left until about 4 mm of the thread becomes visible, then carry out the procedure described above.

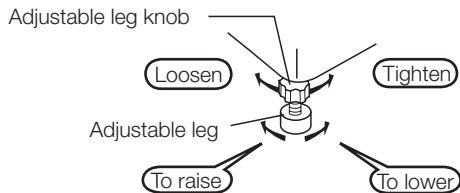


- If a water tap adaptor is already connected, replace with the attached new one.

3.3 Install Washing Machine to steady

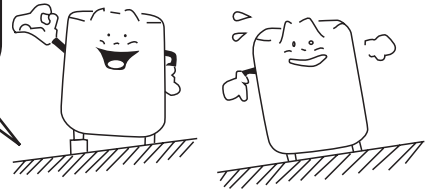
Adjust Height of leg

1. Turn the adjustable leg knob towards (Loosen) direction to loose it.
2. Turn the adjustable leg to adjust the levelness.
 - 2.1 When increasing height, turn adjustable leg towards (Loosen) direction.
 - 2.2 When decreasing height, turn adjustable leg towards (Tighten) direction.
3. Turn the adjustable leg knob towards (Tighten) direction to tighten it.



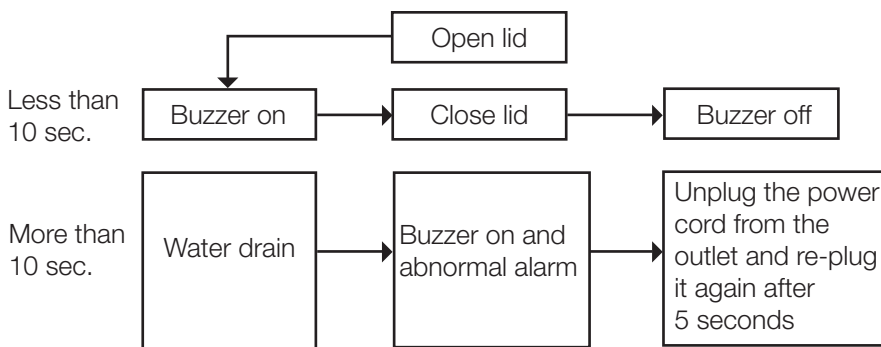
If the floor is largely inclined

Use board or a like for prop up under leg of washing machine



3.4 CHILD LOCK Program

Press the [POWER OFF/ON] button for at least 5 seconds. The buzzer sounds (two time for setting) and the [CHILD LOCK] indication turns on.



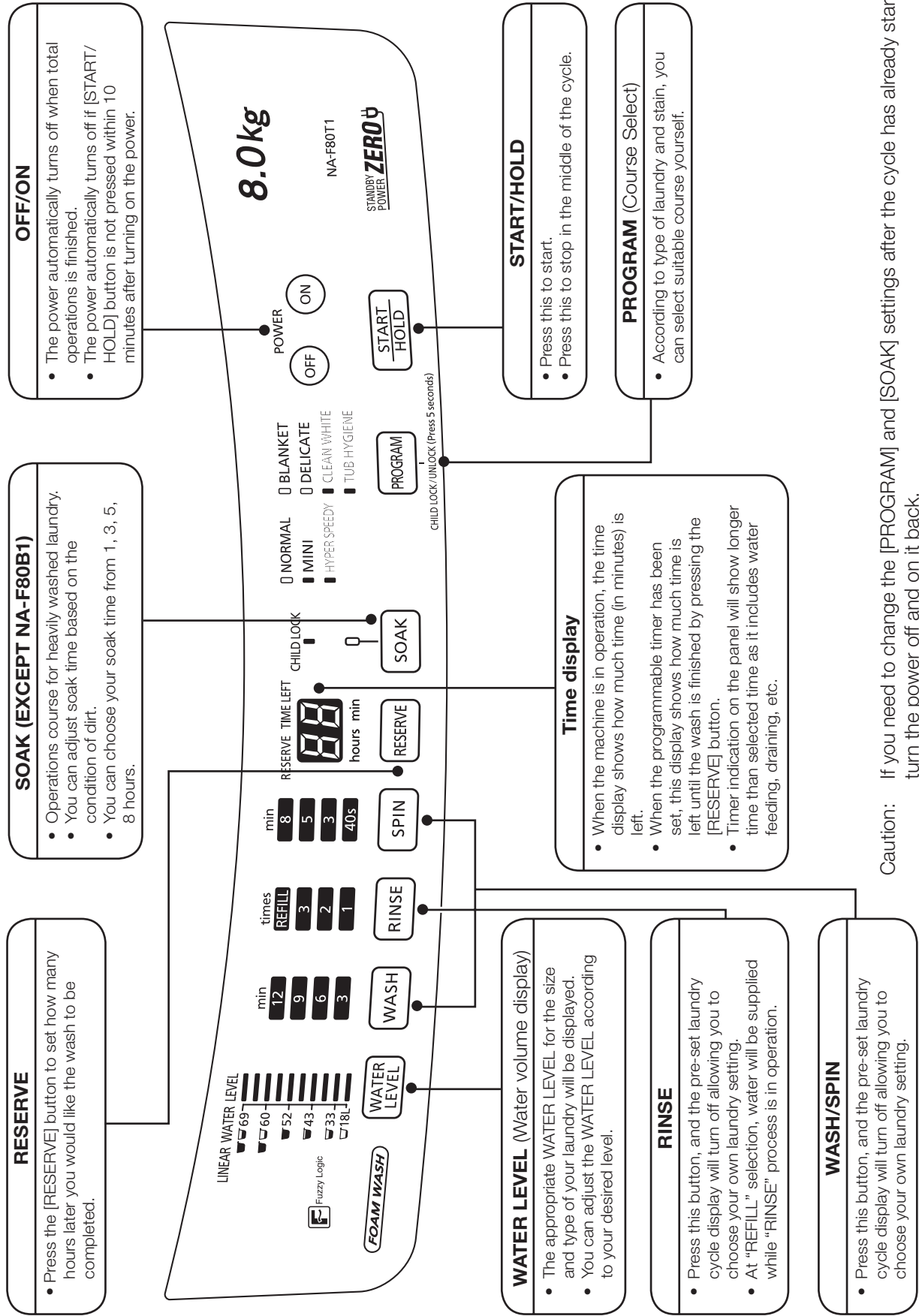
Operations Panel



Fuzzy logic control is used to recommend the proper water level and amount of detergent for the amount of laundry being done.

4. OPERATIONS PANEL

4.1 Model NA-F80B1 / NA-F80T1 / NA-F90T1 / NA-F1011T

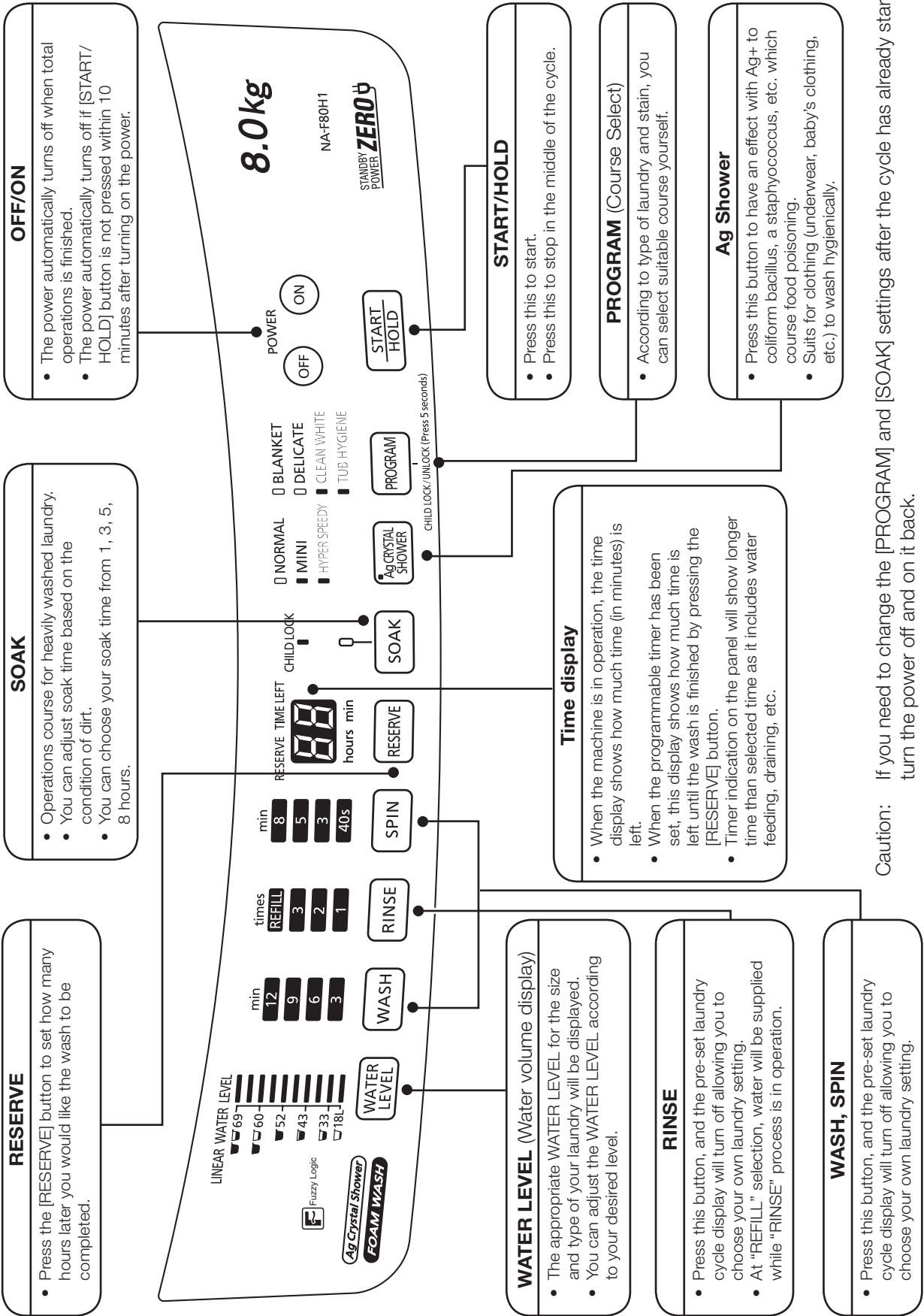


Caution: If you need to change the [PROGRAM] and [SOAK] settings after the cycle has already started, turn the power off and on it back.

Operations Panel



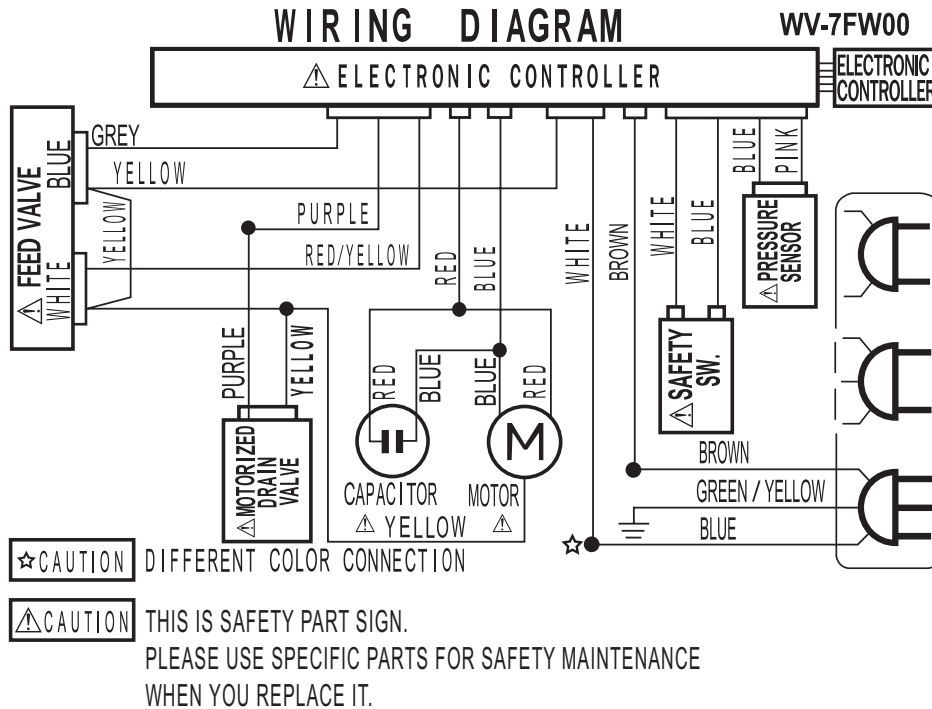
Fuzzy logic control is used to recommend the proper water level and amount of detergent for the amount of laundry being done.



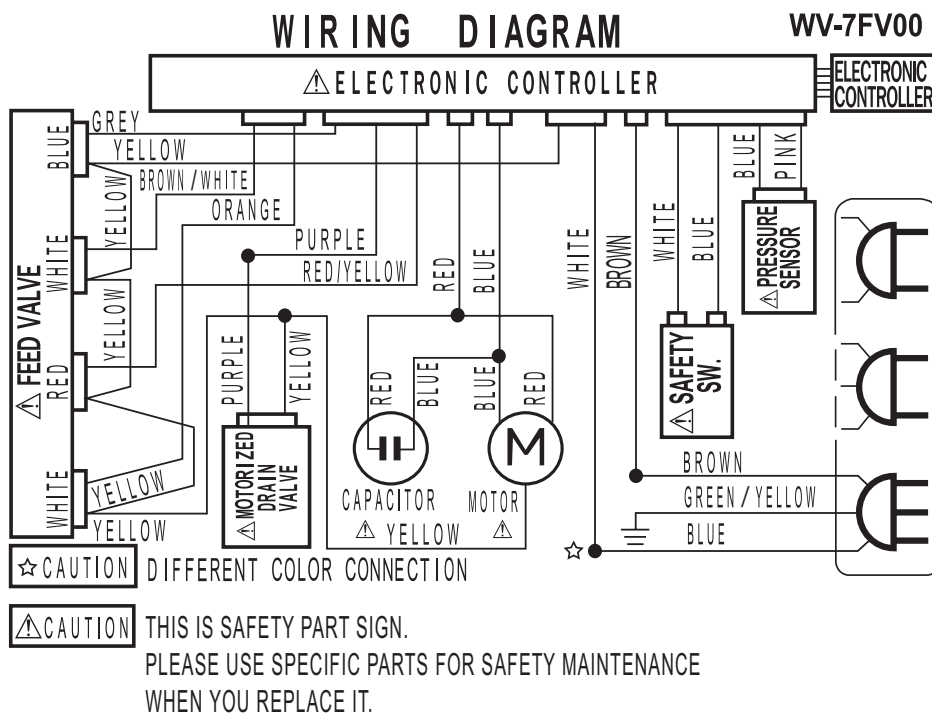
Caution: If you need to change the [PROGRAM] and [SOAK] settings after the cycle has already started, turn the power off and on it back.

5. WIRING DIAGRAM

5.1 MODEL NA-F80B1 / NA-F80T1 / NA-F90T1 / NA-F1011T



5.2 MODEL NA-F80H1 / NA-F90H1



6. TABLE OF ERRORS

Error Indication

If the following indications appear on the display panel (buzzer sounds, U and H Characters appear).

U11	<ul style="list-style-type: none">• Check if abnormalities listed below are seen in the external water hose.• Is the hose connected?• Is it clogged with lint?• Is it crushed?• Is the tip soaked in water?• Is a part of hose at a height of over 10 cm midway?• Is the extension hose longer than 3 m?• Is the hose being used too small?	Restart with opening and closing the lid.
U12	<ul style="list-style-type: none">• Check if the lid is opened.• Close the lid.	
U13	<ul style="list-style-type: none">• Is the washing machine is an unsteady position, or is it on an inclined floor surface?• Is the laundry unevenly distributed in the tub?• Arrange the laundry evenly in the tub, then close the lid.	
U14	<ul style="list-style-type: none">• Check if you have forgotten to connect the water hose and to turn on the faucet.• Is the water supply cut off?	Restart with opening and closing the lid.
U99	<ul style="list-style-type: none">• Check if lid is open when draining operation of the [CHILD LOCK] program is ON.	
H01	<ul style="list-style-type: none">• In case of H displays such as "H01", with no buzzer sounds pull out the power plug, and contact your dealer for service.	

7. TROUBLESHOOTING

7.1 Table of Troubleshooting

Problem (have to check)	Corresponding device	Control panel	Water Inlet Valve	Water level sensor	Safety switch	Gear motor	Capacitor	Mechanism case	Holding spring	Packing valve	Others
Machine does not work	No light at the dial	0									
	Dial light is on	0	0								
Unusual amount of water inside machine	No sound of water from inlet valve	0	0								
	There is sound of water from inlet valve										Check water supply
	Not enough water flow										Check water supply
	Water never stops flowing in	0	0	0							
Washing system does not work	Pulsator does not spin (no sound of motor)	0									Motor
	Pulsator does not spin (there is sound of motor)						0	0			Belt, Motor
	Pulsator spins only one way	0						0			Pulley, Motor
	Pulsator spins slowly	0									Belt, Motor
Unusual draining	No draining	0									
	Drains slowly	0				0				0	
Unusual spinning system	No spinning (no sound of motor)									0	
	No spinning (Pulsator spins)	0			0						
	No force in spinning (tub spins slowly)							0			
Unusual loud noise	Loud noise during washing										Belt, Motor
	Loud noise during dry spinning							0			Check installation
Water leak	Water leaks from drain pipe							0	0		Something clogged
	Water leaks at the bottom of machine										Drain pipe A, Pulsator
Incorrect working	Water is supplied during spinning										Unbalanced tub, leaning
	Rinses more than 3 times				0				0		Unbalanced tub, leaning
	Pulsator spins despite no water				0						Air pipe clogged
	Cannot change function program	0		0							Description of usage
	Water does not flow out of a filter										Description of usage
	No overflow during water filling as rinsing										Description of usage
	Selected washing program cannot be memorized										Description of usage
	Fabric softener flows away too fast										Description of usage
	Pulsator spins in short range as washing and rinsing										Description of usage
	Works at low wash level then supplies water again										Description of usage

7. TROUBLESHOOTING

■ 7.2 The following symptoms are not trouble.

Symptoms	Causes
Machine begins filling water in the middle of the wash.	<ul style="list-style-type: none">When the laundry amount is large at the HIGH water level, the machine sometimes fills automatically. When level goes down, the machine fills automatically.
The water level is too high for the amount of laundry being washed.	<ul style="list-style-type: none">When the laundry is already soaked with water before the wash is started, or if there is water in the tub before the wash is started, the water level will sometimes be higher.
The water level is too low for the amount of laundry being washed.	<ul style="list-style-type: none">With light laundry made of synthetic or blended fabric, the water level will sometimes be lower.
Midway during spinning, the operation suddenly changes to rinsing.	<ul style="list-style-type: none">When the laundry is unbalanced during spin, rinsing and automatic correction of unbalanced laundry will begin. Later spinning will return to normal condition.
Water does not flow through the lint filter. Double Cascade does not operate.	<ul style="list-style-type: none">When the water level is set to very low, water sometimes will not flow through the lint filter. Double Cascade does not operate when these settings have been selected.
Softener spills out from softener drawer.	<ul style="list-style-type: none">Keep the level of the softener indicated to prevent the softener from flowing immediately.If you close the softener drawer forcefully, softener may spill out of the drawer.
During draining, the laundry and the spinner rotates with irregular movements.	<ul style="list-style-type: none">To suppress soap suds build-up, the washing tub turns slowly and quickly.
The buttons do not work.	<ul style="list-style-type: none">Only the [WATER LEVEL] button is available after the machine begins washing.To change the setting, press the [START/HOLD] button or press the [POWER OFF/ON] button and reconfigure the setting.
If you start with the rinse cycle, the tub is not filled with water.	<ul style="list-style-type: none">When there is water in the tub, the operation starts with the draining. After spin cycle is finished, the tub will be filled with water.
Washing machine does not run at all.	<ul style="list-style-type: none">Check if there is power failure.Check if the power fuse has blown out or the breaker is actuated.Check if the power plug is plugged in thoroughly.Check if the "power switch" has been pressed.Has the water faucet been turned on?Check if the [START/HOLD] button has been pressed.Has the machine been programmed under [RESERVE] timer?

7. TROUBLESHOOTING

■ 7.2 The following symptoms are not trouble.

Symptoms	Causes
Machine begins filling water in the middle of the wash.	<ul style="list-style-type: none">• When the laundry amount is large at the HIGH water level, the machine sometimes fills automatically. When level goes down, the machine fills automatically.
Water is not supplied.	<ul style="list-style-type: none">• Check if the water faucet is turned on.• Is the water supply cut off?• Check if the connection of the water supply hose is clogged with dirt.• Check if the lid is opened. Close the lid.
Washing operation still continue even though the expected finishing time had passed on Reserve Program.	<ul style="list-style-type: none">• Washing time will be longer because of laundry unbalance, water feeding and draining condition.
Buzzer sounds followed by a draining when opening the lid during wash and rinse.	<ul style="list-style-type: none">• In the case when open the lid after setting the [CHILD LOCK] mode, it will force the draining process. Pull out power plug from the outlet and replug it after 5 seconds.
Tub shaking with the sound of water.	<ul style="list-style-type: none">• This is the sound of the liquid to maintain the balance during spinning.
Water supply failure.	<ul style="list-style-type: none">• Normally after the water supply failure, the water will become muddy. Detach the water feeding hose and turn on the water faucet to release to due muddy water. Fix water hose and start washing.

8. DISASSEMBLY INSTRUCTION

MODEL : NA-F80B1 / NA-F80, 90T1 / NA-F1011T / NA-F80, 90H1

■ 8.1 Remove Screws of Back Panel out

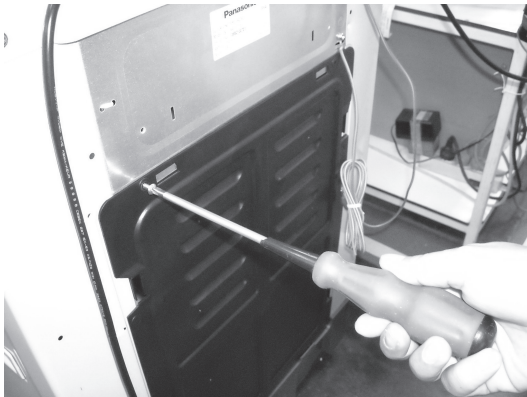


Fig. 1

- Take out by use screwdriver.

■ 8.2 Remove Back Panel out



Fig. 2



Fig. 3

- Insert fingers through inside of Back Panel (Fig. 2).
- Pull it back a little for Hooks at upside loose (Fig. 3).

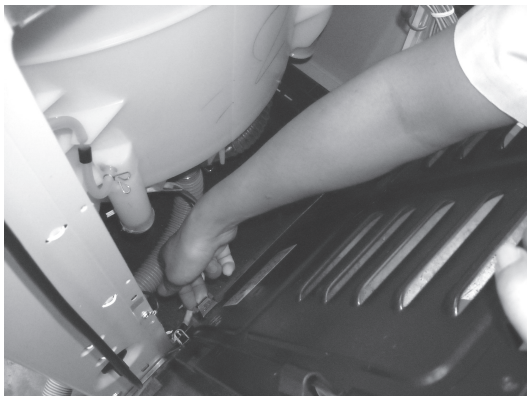


Fig. 4



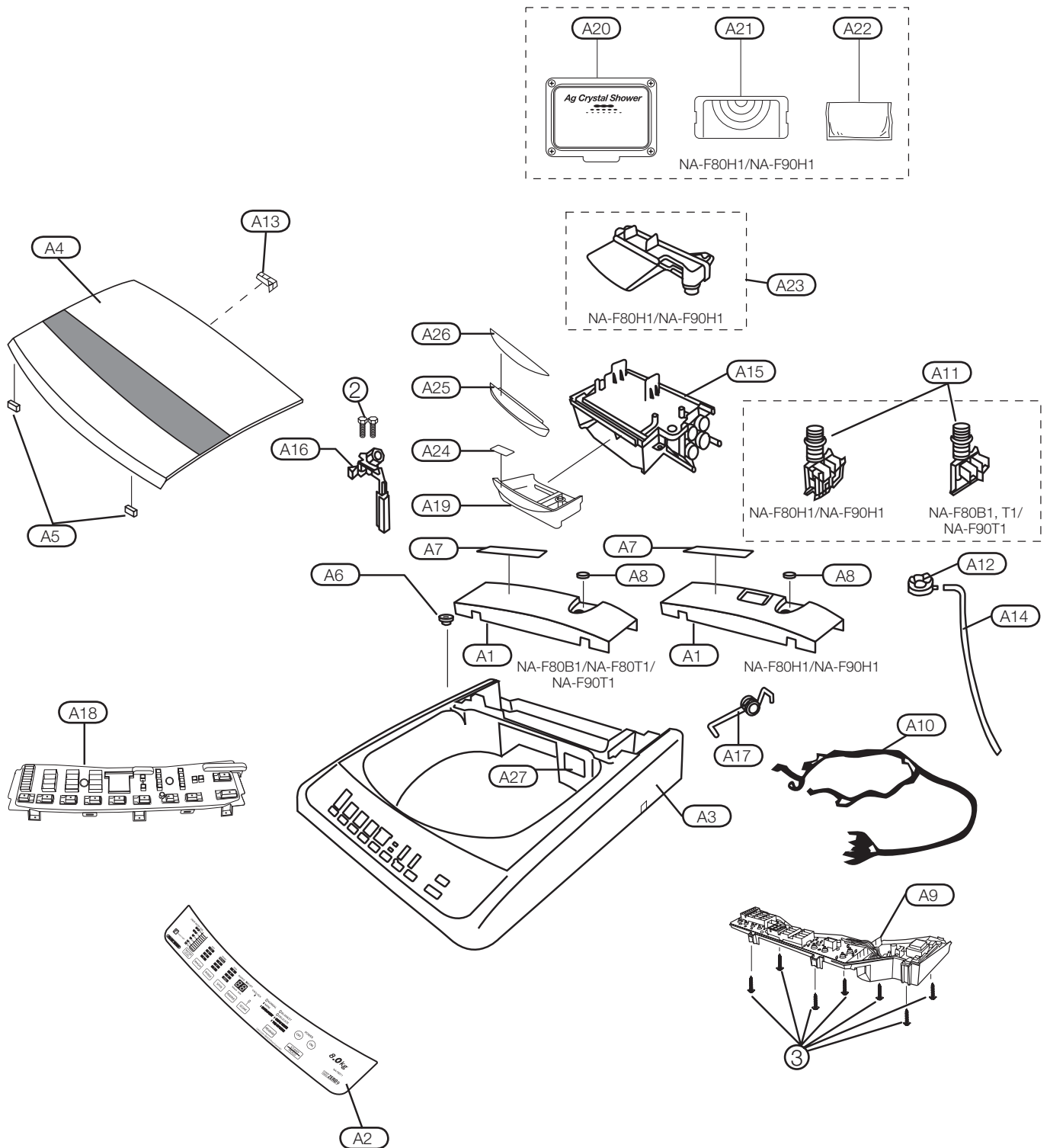
Fig. 5

- Use the finger for pull end of Hook (Fig. 5) loose from the Base Unit (Fig. 4)
- After Hook loose 1 side / We can remove it by twist Back Panel a little.
- If it is difficult to remove / Have to use the finger to pull another side.

9. LOCATION OF PARTS AND REPLACEMENT PARTS

9.1 Location of Parts - A

NA-F80B1 / NA-F80T1 / NA-F80H1 / NA-F90T1 / NA-F90H1 / NA-F1011T



9. LOCATION OF PARTS AND REPLACEMENT PARTS

■ 9.2.1 Replacement of Parts List - A

REPLACEMENT PARTS LIST

Important safety notice :

Components identified by mark have special characteristics important for safety.
When replacing any of these components, use only manufacturer's specified part.

Parts List - A of NA-F80B1

Ref. No.	Part Name	Part No.	Safety	Countries						Remark
				Thai	Viet	Mal	Sin-Lo	India	Sin-Ex	
A1	PANEL A	AXW01307BL0J		1	1	1	1	1	1	
A2	PANEL FACE B	AXW01467FZ00		1						
		AXW01467FZ50			1	1	1	1	1	
A3	BODY B	AXW01027BK1J		1	1	1	1	1	1	
A4	LID UNIT	AXW001G7FZ1J	S	1	1	1	1	1	1	
A5	LID PACKING A	AXW01646UP00		2	2	2	2	2	2	
A6	LEVELER	AXW03536DKA0		1	1	1	1	1	1	
A7	SPINNER LID LABEL	AXW11177BK0A		1						
		AXW11177BK5A				1	1	1	1	
		AXW11177BKKA			1					
A8	FEEDING PORT PACKING	AXW02676UP00		1	1	1	1	1	1	
A9	CONTROLLER UNIT	AXW024C7FZ06	S	1	1	1	1	1	1	
A10	CONNECTOR LEAD WIRE UNIT	AXW014A7BL00	S	1	1	1	1	1	1	
A11	FEEDING VALVE	AXW292120906	S	1	1	1	1	1	1	
A12	PRESSURE SENSOR UNIT	AXW024T02810	S	1	1	1	1	1	1	
A13	LID HINGE SHAFT	AXW01937BK00		2	2	2	2	2	2	
A14	SUB DRAIN HOSE UNIT	AXW002Q6XB20		1	1	1	1	1	1	
A15	DETERGENT CASE UNIT	AXW021B6XC10		1	1	1	1	1	1	
A16	SAFETY SWITCH	AXW166123700	S	1	1	1	1	1	1	
A17	LID HINGE SPRING	AXW11167BK00		1	1	1	1	1	1	
A18	PANEL FACE C	AXW01477FV00		1	1	1	1	1	1	
A19	DETERGENT CASE B	AXW21516XC0J		1	1	1	1	1	1	
A24	INSTRUCTION B	AXW99597BK0J		1	1	1	1	1	1	
A25	NOZZLE HOLDER	AXW08396XC0J		1	1	1	1	1	1	

Screws

Ref. No.	Part Name	Part No.	Safety	Countries						Remark
				Thai	Viet	Mal	Sin-Lo	India	Sin-Ex	
	SPECIAL TAPPING SCREW	XTWAXW469J		2	2	2	2	2	2	BODY B ~ BODY AU
	BINDING TAPPING SCREW	XTB4+12CFJ		7	7	7	7	7	7	PANEL FACE UNIT
		XTB4+15CFJ		2	2	2	2	2	2	SAFETY SW. ~ BODY B
		XTB4+15CFJ		2	2	2	2	2	2	FEEDING VALVE ~ BODY B
		XTB4+15CFJ		2	2	2	2	2	2	HOSE HOLDER A
		XTV3+8GFK		1	1	1	1	1	1	CONTROLLER CASE LID~ INSULATION SPACER A
		XTV3+8GFK		2	2	2	2	2	2	CONTROLLER COVER ~ INSULATION SPACER B

9. LOCATION OF PARTS AND REPLACEMENT PARTS

9.2.2 Replacement of Parts List - A

REPLACEMENT PARTS LIST

Important safety notice :

Components identified by mark have special characteristics important for safety. When replacing any of these components, use only manufacturer's specified part.

Parts List - A of NA-F80T1 / NA-F90T1 / NA-F1011T

Ref. No.	Part Name	Part No.	Safety	Model			Countries															Remark	
				F80T1	F90T1	F1011T	Thai	Indo	Viet	Mal	Sin-Lo	India	Sin-Ex	Fiji	Phi	Tahiti	UAE-Lo	Kuw	Oman	Qatar	UAE-Ex		
A1	PANEL A	AXW01307BL0D		●	●	●	1	1	1	1	1	1	1	1	1	1	1	1	1	1	1		
A2	PANEL FACE B	AXW01467FW00			●		1																
		AXW01467FW50			●				1	1	1	1	1	1	1	1	1	1	1	1	1	1	
		AXW01467FY00		●			1																
		AXW01467FY50		●				1	1	1	1	1	1	1	1	1	1	1	1	1	1	1	1
		AXW01467GW00				●		1															
A3	BODY B	AXW01027BK1D		●	●	●	1	1	1	1	1	1	1	1	1	1	1	1	1	1	1	1	
A4	LID UNIT	AXW001G7FW1A	S		●	●	1	1	1	1	1	1	1	1	1	1	1	1	1	1	1	1	
		AXW001G7FY1D	S	●			1		1	1	1	1											
A5	LID PACKING	AXW01646UP00		●	●	●	2	2	2	2	2	2	2	2	2	2	2	2	2	2	2	2	
A6	LEVELER	AXW03536DKA0		●	●	●	1	1	1	1	1	1	1	1	1	1	1	1	1	1	1	1	
A7	SPINNER LID LABEL	AXW11177BK1D		●	●		1																
		AXW11177BK6D		●	●	●		1		1	1	1	1	1	1	1	1	1	1	1	1	1	
		AXW11177BKLD		●	●				1														
A8	FEEDING PORT PACKING	AXW02676UP00		●	●	●	1	1	1	1	1	1	1	1	1	1	1	1	1	1	1	1	
A9	CONTROLLER UNIT	AXW024C7FW06	S		●	●	1	1	1	1	1		1	1	1	1	1	1	1	1	1	1	
		AXW024C7FY06	S	●			1		1	1	1	1											
A10	CONNECTOR LEAD WIRE UNIT	AXW014A7BL00	S	●	●	●	1	1	1	1	1	1	1	1	1	1	1	1	1	1	1	1	
A11	FEEDING VALVE	AXW292120906	S	●	●	●	1	1	1	1	1	1	1	1	1	1	1	1	1	1	1	1	
A12	PRESSURE SENSOR UNIT	AXW024T02810	S	●	●	●	1	1	1	1	1	1	1	1	1	1	1	1	1	1	1	1	
A13	LID HINGE SHAFT	AXW01937BK00		●	●	●	2	2	2	2	2	2	2	2	2	2	2	2	2	2	2	2	
A14	SUB DRAIN HOSE UNIT	AXW002Q6XB20		●	●	●	1	1	1	1	1	1	1	1	1	1	1	1	1	1	1	1	
A15	DETERGENT CASE UNIT	AXW021B6XC10		●	●	●	1	1	1	1	1	1	1	1	1	1	1	1	1	1	1	1	
A16	SAFETY SWITCH	AXW166123700	S	●	●	●	1	1	1	1	1	1	1	1	1	1	1	1	1	1	1	1	
A17	LID HINGE SPRING	AXW11167BK00		●	●	●	1	1	1	1	1	1	1	1	1	1	1	1	1	1	1	1	
A18	PANEL FACE C	AXW01477FV00		●	●	●	1	1	1	1	1	1	1	1	1	1	1	1	1	1	1	1	
A19	DETERGENT CASE B	AXW21516XC0J		●	●	●	1	1	1	1	1	1	1	1	1	1	1	1	1	1	1	1	
A24	INSTRUCTION B	AXW99597BK0J		●	●	●	1	1	1	1	1	1	1	1	1	1	1	1	1	1	1	1	
A25	NOZZLE HOLDER	AXW08396XC0D		●	●	●	1	1	1	1	1	1	1	1	1	1	1	1	1	1	1	1	

Screws

Ref. No.	Part Name	Part No.	Safety	Model			Countries															Remark	
				F80T1	F90T1	F1011T	Thai	Indo	Viet	Mal	Sin-Lo	India	Sin-Ex	Fiji	Phi	Tahiti	UAE-Lo	Kuw	Oman	Qatar	UAE-Ex		
	SPECIAL TAPPING SCREW	XTWAXW469J		●	●	●	2	2	2	2	2	2	2	2	2	2	2	2	2	2	2	2	
	BINDING TAPPING SCREW	XTB4+12CFJ		●	●	●	7	7	7	7	7	7	7	7	7	7	7	7	7	7	7	7	
		XTB4+15CFJ		●	●	●	3	3	3	3	3	3	3	3	3	3	3	3	3	3	3	3	
		XTB4+15CFJ		●	●	●	2	2	2	2	2	2	2	2	2	2	2	2	2	2	2	2	2
		XTB4+15CFJ		●	●	●	2	2	2	2	2	2	2	2	2	2	2	2	2	2	2	2	2
		XTV3+8GFK		●	●	●	1	1	1	1	1	1	1	1	1	1	1	1	1	1	1	1	1
		XTV3+8GFK		●	●	●	2	2	2	2	2	2	2	2	2	2	2	2	2	2	2	2	2

9. LOCATION OF PARTS AND REPLACEMENT PARTS

■ 9.2.3 Replacement of Parts List - A

REPLACEMENT PARTS LIST

Important safety notice :

Components identified by mark have special characteristics important for safety.
When replacing any of these components, use only manufacturer's specified part.

Parts List - A of NA-F80H1 / NA-F90H1

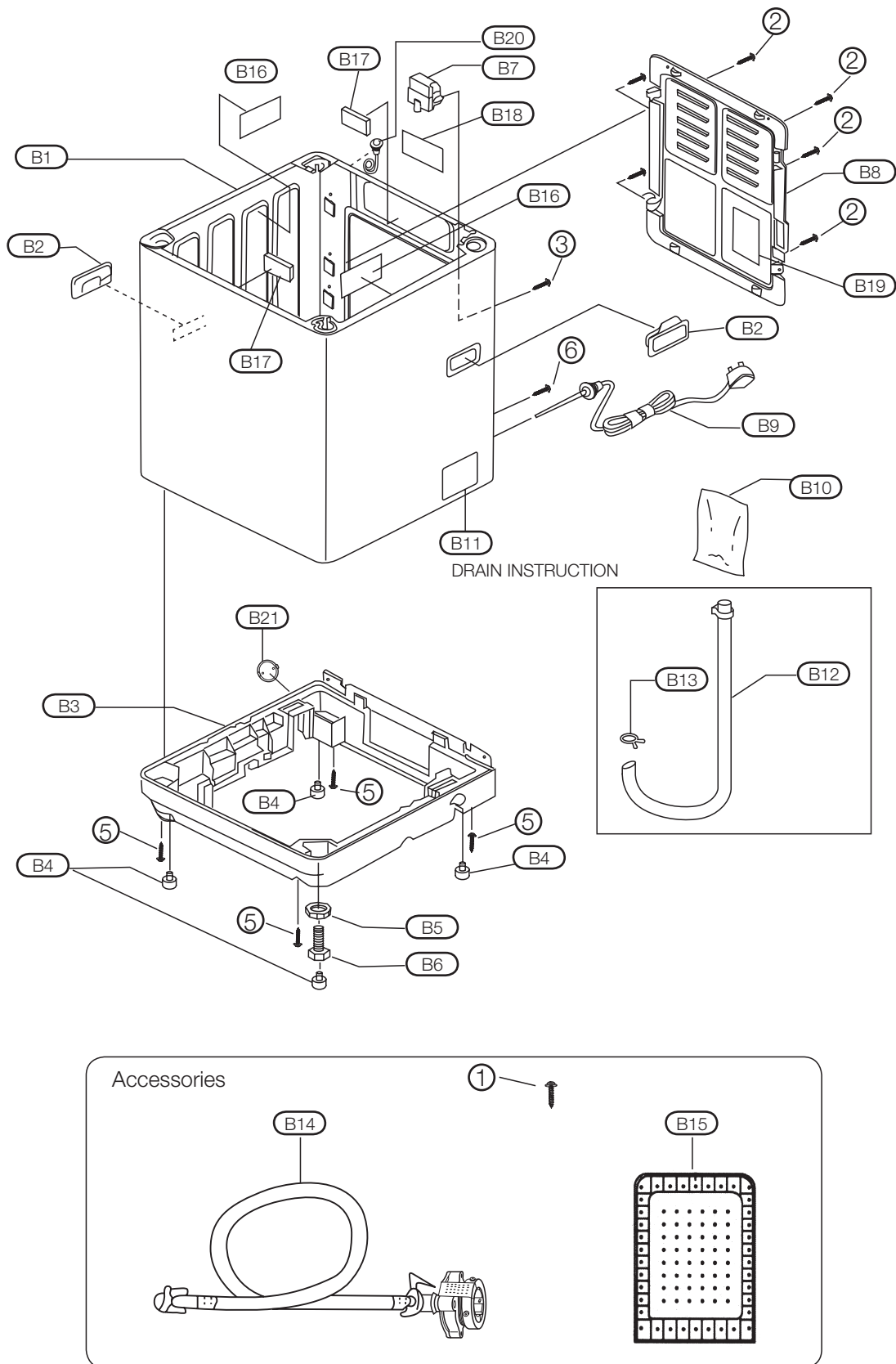
Ref. No.	Part Name	Part No.	Safety	Model		Countries										Remark		
				F80H1	F90H1	Thai	Viet	Mal	Sin-Lo	India	Sin-Ex	UAE-Lo	Kuw	Oman	Qatar		UAE-Ex	
A1	PANEL A	AXW01307BK1A		●	●	1	1	1	1	1	1	1	1	1	1	1		
A2	PANEL FACE B	AXW01467FV00			●	1												
		AXW01467FV50			●		1	1	1	1	1	1	1		1	1		
		AXW01467FX00		●		1												
		AXW01467FX50		●			1	1	1			1	1	1	1	1	1	
A3	BODY B	AXW01027BK1A		●	●	1	1	1	1	1	1	1	1	1	1	1		
A4	LID UNIT	AXW001G7FV1A	S	●	●	1	1	1	1	1	1	1	1	1	1	1		
A5	LID PACKING A	AXW01646UP00		●	●	2	2	2	2	2	2	2	2	2	2	2		
A6	LEVELER	AXW03536DKA0		●	●	1	1	1	1	1	1	1	1	1	1	1		
A7	SPINNER LID LABEL	AXW11177BK0A		●	●	1												
		AXW11177BK5A		●	●			1	1	1	1	1	1	1	1	1		
		AXW11177BKKA		●	●		1											
A8	FEEDING PORT PACKING	AXW02676UP00		●	●	1	1	1	1	1	1	1	1	1	1	1		
A9	CONTROLLER UNIT	AXW024C7FV06	S		●	1	1	1	1	1	1	1	1		1	1		
		AXW024C7FX06	S	●		1	1	1	1			1	1	1	1	1		
A10	CONNECTOR LEAD WIRE UNIT	AXW014A7BK00	S	●	●	1	1	1	1	1	1	1	1	1	1	1		
A11	FEEDING VALVE	AXW292120906	S	●	●	1	1	1	1	1	1	1	1	1	1	1		
A12	PRESSURE SENSOR UNIT	AXW024T02810	S	●	●	1	1	1	1	1	1	1	1	1	1	1		
A13	LID HINGE SHAFT	AXW01937BK00		●	●	2	2	2	2	2	2	2	2	2	2	2		
A14	SUB DRAIN HOSE UNIT	AXW002Q6XB20		●	●	1	1	1	1	1	1	1	1	1	1	1		
A15	DETERGENT CASE UNIT	AXW021B7BK10		●	●	1	1	1	1	1	1	1	1	1	1	1		
A16	SAFETY SWITCH	AXW166123700	S	●	●	1	1	1	1	1	1	1	1	1	1	1		
A17	LID HINGE SPRING	AXW11167BK00		●	●	1	1	1	1	1	1	1	1	1	1	1		
A18	PANEL FACE C	AXW01477FV00		●	●	1	1	1	1	1	1	1	1	1	1	1		
A19	DETERGENT CASE B	AXW21516XBJ		●	●	1	1	1	1	1	1	1	1	1	1	1		
A20	WINDOW	AXW21057BK00		●	●	1	1	1	1	1	1	1	1	1	1	1		
A21	LABEL PLATE	AXW07537BK00		●	●	1	1	1	1	1	1	1	1	1	1	1		
A22	TABLE UNIT	AXW007E7BK00		●	●	1	1	1	1	1	1	1	1	1	1	1		
A23	NOZZLE UNIT	AXW008E7BK00		●	●	1	1	1	1	1	1	1	1	1	1	1		
A24	INSTRUCTION B	AXW99597BK0J		●	●	1	1	1	1	1	1	1	1	1	1	1		
A25	NOZZLE HOLDER	AXW08396XB2J		●	●	1	1	1	1	1	1	1	1	1	1	1		
A26	PANEL A SEAL	AXW11637BK1A		●	●	1	1	1	1	1	1	1	1	1	1	1		
A27	INSTRUCTION C	AXW99607BK00		●	●	1												

Screws

Ref. No.	Part Name	Part No.	Safety	Model		Countries										Remark		
				F80H1	F90H1	Thai	Viet	Mal	Sin-Lo	India	Sin-Ex	UAE-Lo	Kuw	Oman	Qatar		UAE-Ex	
	SPECIAL TAPPING SCREW	XTWAXW469J		●	●	2	2	2	2	2	2	2	2	2	2	2		
	BINDING TAPPING SCREW	XTB4+12CFJ		●	●	7	7	7	7	7	7	7	7	7	7	7		
		XTB4+15CFJ		●	●	3	3	3	3	3	3	3	3	3	3	3		
		XTB4+15CFJ		●	●	2	2	2	2	2	2	2	2	2	2	2	2	
		XTB4+15CFJ		●	●	2	2	2	2	2	2	2	2	2	2	2	2	
		XTV3+8GFK		●	●	1	1	1	1	1	1	1	1	1	1	1	1	
		XTV3+8GFK		●	●	2	2	2	2	2	2	2	2	2	2	2	2	

9. LOCATION OF PARTS AND REPLACEMENT PARTS

9.3 Location of Parts List - B



9. LOCATION OF PARTS AND REPLACEMENT PARTS

9.4.1 Replacement of Parts List - B

REPLACEMENT PARTS LIST

Important safety notice :

Components identified by mark have special characteristics important for safety.
When replacing any of these components, use only manufacturer's specified part.

Parts List - B of NA-F80B1

Ref. No.	Part Name	Part No.	Safety	Countries						Remark
				Thai	Viet	Mal	Sin-Lo	India	Sin-Ex	
B1	Body A Unit	AXW001A7BK2J		1		1	1	1		Colour : Grey
		AXW001A7BK7J			1				1	Colour : Grey (Ext-Earth)
B2	Grip	AXW01106UP0J		2	2	2	2	2	2	Colour : Grey
B3	Base A	AXW03017FV00		1	1	1	1	1	1	
B4	Leg Covering	AXW03396UP00		4	4	4	4	4	4	
B5	Adjustable Leg Thumb	AXW03436JZ00		1	1	1	1	1	1	
B6	Adjustable Leg	AXW03357EC00		1	1	1	1	1	1	
B7	Capacitor	AXW04037P957	S	1	1	1	1	1	1	
B8	Back Panel	AXW01566ZV10		1	1	1	1	1	1	
B9	Power Cord Unit	AXW004A72944	S	1						Type : C3
		AXW004A73014	S		1					Type : C2
		AXW004A77274	S			1	1	1	1	Type : S3
B10	Chemical Cover	AXW04487EC00		1	1	1	1	1	1	
B11	Drain Instruction	AXW99047BK10		1						Language : Thai
		AXW99047BK60				1	1	1	1	Language : English
B12	Flexible Hose B Unit	AXW002E6XB10		1	1	1	1	1	1	
B13	Hose Band	AXW02457EC00		1	1	1	1	1	1	
B14	Service Pressure Hose Unit	AXW012D7BR00		1	1	1	1	1	1	
B15	Bottom Cover	AXW21586ZR00		1	1	1	1	1	1	
B16	Body A Protection (R & L)	AXW90466AA6M		2	2	2	2	2	2	
B17	Body A Protection (B & F)	AXW90466NTB0		2	2	2	2	2	2	
B18	Name Plate	AXW01537FZ00	S	1						
		AXW01537FZ50	S			1			1	
		AXW01537FZA0	S				1	1		
		AXW01537FZK0	S		1					
B19	Wiring Diagram	AXW04707FW00		1		1	1	1	1	
		AXW04707FWK0			1					
B20	Earth Wire Unit (External)	AXW030C6SP20	S		1					
B21	Hose Hole Cover A	AXW01286RV00		1	1	1	1	1	1	

Screws

Ref. No.	Part Name	Part No.	Safety	Countries						Remark
				Thai	Viet	Mal	Sin-Lo	India	Sin-Ex	
	Special Tapping Screw	XTTAXW444J		8	8	8	8	8	8	For Base A
		XTTAXW444J		4	4	4	4	4	4	For Back Panel
		XTTAXW444J		2	2	2	2	2	2	For Bottom Cover
		XTWAXW471		1	1	1	1	1	1	For Drain Outlet B
	Pan Head Tapping Screw	XTN4+8HFJ		1	1	1	1	1	1	For Earth U ~ Body A
	Bind Tapping Screw	XYNAXW438J		1	1	1	1	1	1	For Capacitor

9. LOCATION OF PARTS AND REPLACEMENT PARTS

9.4.2 Replacement of Parts List - B

REPLACEMENT PARTS LIST

Important safety notice :

Components identified by mark have special characteristics important for safety. When replacing any of these components, use only manufacturer's specified part.

Parts List - B of NA-F80T1 / NA-F90T1 / NA-F1011T

Ref. No.	Part Name	Part No.	Safety	Model			Countries														Remark			
				F80T1	F90T1	F1011T	Thai	Indo	Viet	Mal	Sin-Lo	India	Sin-Ex	Fiji	Phi	Tahiti	UAE-Lo	Kuw	Oman	Qatar		UAE-Ex		
B1	Body A Unit	AXW001A7BK2D		●	●		1			1	1	1					1	1	1	1	1			
		AXW001A7BK7D		●	●	●		1	1				1	1	1	1								
B2	Grip	AXW01106UP0D		●	●	●	2	2	2	2	2	2	2	2	2	2	2	2	2	2	2	2	2	
B3	Base A	AXW03017FV00		●	●	●	1	1	1	1	1	1	1	1	1	1	1	1	1	1	1	1	1	
B4	Leg Covering	AXW03396UP00		●	●	●	4	4	4	4	4	4	4	4	4	4	4	4	4	4	4	4	4	
B5	Adjustable Leg Thumb	AXW03436JZ00		●	●	●	1	1	1	1	1	1	1	1	1	1	1	1	1	1	1	1	1	
B6	Adjustable Leg	AXW03357EC00		●	●	●	1	1	1	1	1	1	1	1	1	1	1	1	1	1	1	1	1	
B7	Capacitor	AXW04037P957	S	●	●	●	1	1	1	1	1	1	1	1	1	1	1	1	1	1	1	1	1	
B8	Back Panel	AXW01566ZV10		●	●	●	1	1	1	1	1	1	1	1	1	1	1	1	1	1	1	1	1	
B9	Power Cord Unit	AXW004A83400	S		●										1	1								
		AXW004A77274	S	●	●					1	1	1	1	1			1	1	1	1				
		AXW004A72914	S		●																		1	
		AXW004A72944	S	●	●		1																	
		AXW004A73014	S	●	●	●		1	1															
B10	Chemical Cover	AXW04487EC00		●	●	●	1	1	1	1	1	1	1	1	1	1	1	1	1	1	1	1	1	
B11	Drain Instruction	AXW99047BK10		●	●		1																	
		AXW99047BK60		●	●	●		1		1	1	1	1	1	1	1	1	1	1	1	1	1	1	
B12	Flexible Hose B Unit	AXW002E6XB10		●	●	●	1	1	1	1	1	1	1	1	1	1	1	1	1	1	1	1	1	
B13	Hose Band	AXW02457EC00		●	●	●	1	1	1	1	1	1	1	1	1	1	1	1	1	1	1	1	1	
B14	Service Pressure Hose Unit	AXW012D7BR00		●	●	●	1	1	1	1	1	1	1	1	1	1	1	1	1	1	1	1	1	
B15	Bottom Cover	AXW21586ZR00		●	●	●	1	1	1	1	1	1	1	1	1	1	1	1	1	1	1	1	1	
B16	Body A Protection (R-L)	AXW90466AA6M		●	●	●	2	2	2	2	2	2	2	2	2	2	2	2	2	2	2	2	2	
B17	Body A Protection (B-F)	AXW90466NTB0		●	●	●	2	2	2	2	2	2	2	2	2	2	2	2	2	2	2	2	2	
B18	Name Plate	AXW01537FW00	S		●		1																	
		AXW01537FW50	S		●					1							1	1	1	1	1	1	1	
		AXW01537FWA0	S		●						1													
		AXW01537FWK0	S		●				1															
		AXW01537FWF0	S		●									1	1									
		AXW01537GW00	S			●		1																
		AXW01537FY00	S	●			1																	
		AXW01537FY50	S	●						1														
		AXW01537FYA0	S	●							1	1												
		AXW01537FYK0	S	●						1														
B19	Wiring Diagramm	AXW04707FW00		●	●	●	1	1	1	1	1	1	1	1	1	1	1	1	1	1	1	1	1	
		AXW04707FWK0		●	●						1													
B20	Earth Wire Unit (External)	AXW030C6SP20	S	●	●	●		1	1				1	1	1	1								
B21	Hose Hole Cover A	AXW01286RV00		●	●	●	1	1	1	1	1	1	1	1	1	1	1	1	1	1	1	1	1	

Screws

Ref. No.	Part Name	Part No.	Safety	Model			Countries														Remark			
				F80T1	F90T1	F1011T	Thai	Indo	Viet	Mal	Sin-Lo	India	Sin-Ex	Fiji	Phi	Tahiti	UAE-Lo	Kuw	Oman	Qatar		UAE-Ex		
	Special Tapping Screw	XTTAXW444J		●	●	●	8	8	8	8	8	8	8	8	8	8	8	8	8	8	8	8	8	
		XTTAXW444J		●	●	●	4	4	4	4	4	4	4	4	4	4	4	4	4	4	4	4	4	
		XTTAXW444J		●	●	●	2	2	2	2	2	2	2	2	2	2	2	2	2	2	2	2	2	2
		XTWAXW471		●	●	●	1	1	1	1	1	1	1	1	1	1	1	1	1	1	1	1	1	1
	Pan Head Tapping Screw	XTN4+8HFJ		●	●	●	1	1	1	1	1	1	1	1	1	1	1	1	1	1	1	1	1	
	Bind Tapping Screw	XYNAXW438J		●	●	●	1	1	1	1	1	1	1	1	1	1	1	1	1	1	1	1	1	

9. LOCATION OF PARTS AND REPLACEMENT PARTS

9.4.3 Replacement of Parts List - B

REPLACEMENT PARTS LIST

Important safety notice :

Components identified by mark have special characteristics important for safety.
When replacing any of these components, use only manufacturer's specified part.

Parts List - B of NA-F80H1 / NA-F90H1

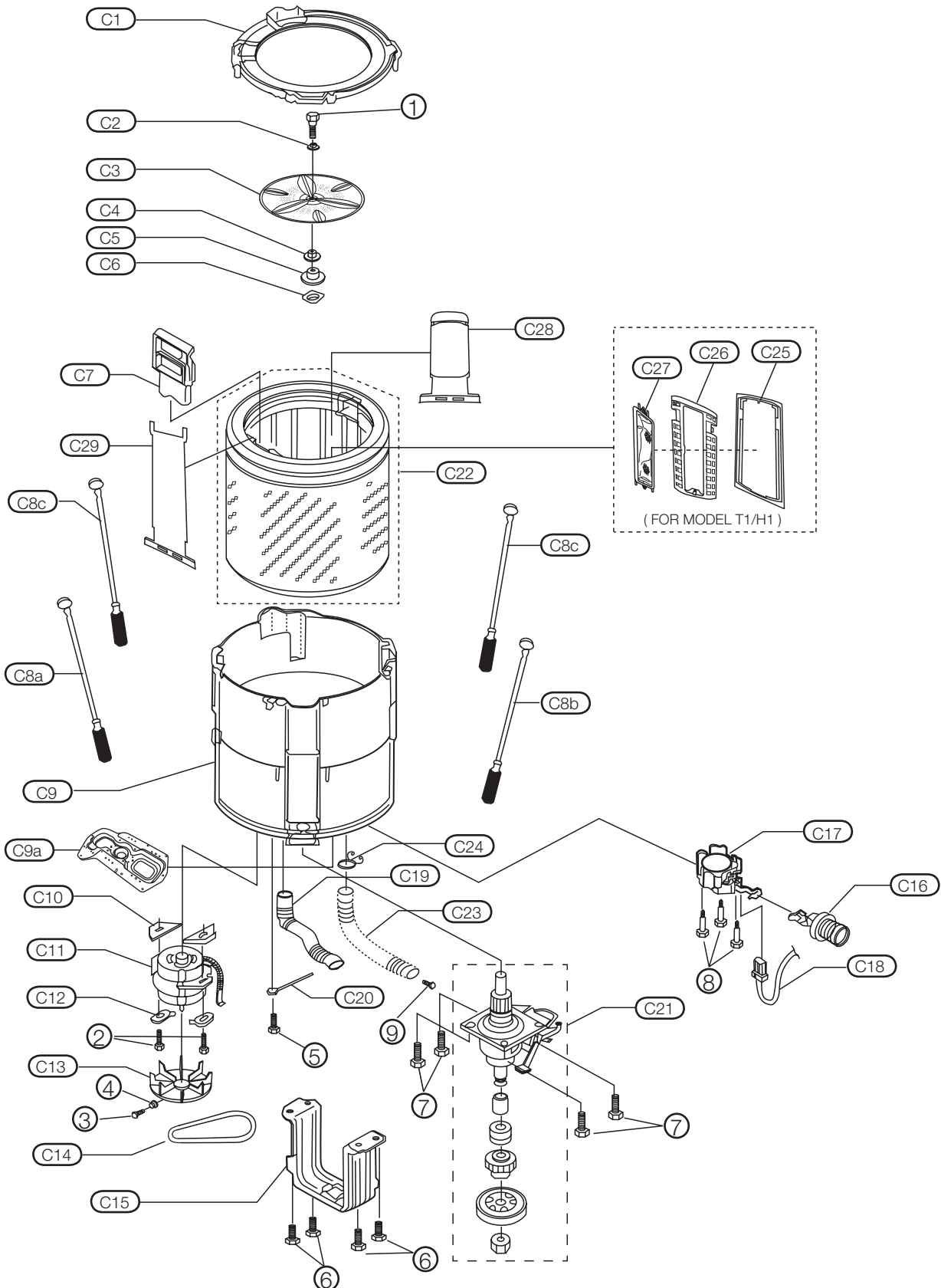
Ref. No.	Part Name	Part No.	Safety	Model		Countries										Remark
				F80H1	F90H1	Thai	Viet	Mal	Sin-Lo	India	Sin-Ex	UAE-Lo	Kuw	Oman	Qatar	
B1	Body A Unit	AXW001A7BK2A		●	●	1		1	1	1		1	1	1	1	
		AXW001A7BK7A		●	●		1				1					
B2	Grip	AXW01106UP0J		●	●	2	2	2	2	2	2	2	2	2	2	2
B3	Base A	AXW03017FV00		●	●	1	1	1	1	1	1	1	1	1	1	1
B4	Leg Covering	AXW03396UP00		●	●	4	4	4	4	4	4	4	4	4	4	4
B5	Adjustable Leg Thumb	AXW03436JZ00		●	●	1	1	1	1	1	1	1	1	1	1	1
B6	Adjustable Leg	AXW03357EC00		●	●	1	1	1	1	1	1	1	1	1	1	1
B7	Capacitor	AXW04037P957	S	●	●	1	1	1	1	1	1	1	1	1	1	1
B8	Back Panel	AXW01566ZV10		●	●	1	1	1	1	1	1	1	1	1	1	1
B9	Power Cord Unit	AXW004A73014	S	●	●		1									
		AXW004A77274	S	●	●			1	1	1	1	1	1	1	1	
		AXW004A72914	S	●	●											1
		AXW004A72944	S	●	●	1										
B10	Chemical Cover	AXW04487EC00		●	●	1	1	1	1	1	1	1	1	1	1	1
B11	Drain Instruction	AXW99047BK10		●	●	1										
		AXW99047BK60		●	●			1	1	1	1	1	1	1	1	1
B12	Flexible Hose B Unit	AXW002E6XB10		●	●	1	1	1	1	1	1	1	1	1	1	1
B13	Hose Band	AXW02457EC00		●	●	1	1	1	1	1	1	1	1	1	1	1
B14	Service Pressure Hose Unit	AXW012D7BR00		●	●	1	1	1	1	1	1	1	1	1	1	1
B15	Bottom Cover	AXW21586ZR00		●	●	1	1	1	1	1	1	1	1	1	1	1
B16	Body A Protection (R-L)	AXW90466AA6M		●	●	2	2	2	2	2	2	2	2	2	2	2
B17	Body A Protection (B-F)	AXW90466NTB0		●	●	2	2	2	2	2	2	2	2	2	2	2
B18	Name Plate	AXW01537FV00	S		●	1										
		AXW01537FV50	S		●			1			1	1	1		1	1
		AXW01537FVA0	S		●				1	1						
		AXW01537FVK0	S		●		1									
		AXW01537FX00	S	●		1										
		AXW01537FX50	S	●				1				1	1	1	1	1
		AXW01537FXA0	S	●					1							
		AXW01537FXK0	S	●			1			1						
B19	Wiring Diagram	AXW04707FV00	S	●	●	1		1	1	1	1	1	1	1	1	1
		AXW04707FVK0	S	●	●		1									
B20	Earth Wire Unit (External)	AXW030C6SP20	S	●	●		1				1					
B21	Hose Hole Cover A	AXW01286RV00		●	●	1	1	1	1	1	1	1	1	1	1	1

Screws

Ref. No.	Part Name	Part No.	Safety	Model		Countries										Remark	
				F80H1	F90H1	Thai	Viet	Mal	Sin-Lo	India	Sin-Ex	UAE-Lo	Kuw	Oman	Qatar		UAE-Ex
	Special Tapping Screw	XTTAXW444J		●	●	8	8	8	8	8	8	8	8	8	8	8	For Base A
		XTTAXW444J		●	●	4	4	4	4	4	4	4	4	4	4	4	For Back Panel
		XTTAXW444J		●	●	2	2	2	2	2	2	2	2	2	2	2	For Bottom Cover
		XTWAXW471		●	●	1	1	1	1	1	1	1	1	1	1	1	For Drain Outlet B
	Pan Head Tapping Screw	XTN4+8HFJ		●	●	1	1	1	1	1	1	1	1	1	1	1	For Earth U ~ Body A
	Bind Tapping Screw	XYNAXW438J		●	●	1	1	1	1	1	1	1	1	1	1	1	For Capacitor

9. LOCATION OF PARTS AND REPLACEMENT PARTS

9.5 Location of Parts List - C



9. LOCATION OF PARTS AND REPLACEMENT PARTS

9.6.1 Replacement of Parts List - C

REPLACEMENT PARTS LIST

Important safety notice :

Components identified by mark have special characteristics important for safety.
When replacing any of these components, use only manufacturer's specified part.

Parts List - C of NA-F80B1

Ref. No.	Part Name	Part No.	Safety	Countries						Remark
				Thai	Viet	Mal	Sin-Lo	India	Sin-Ex	
C1	Outer Tub Cover	AXW32246CH10		1	1	1	1	1	1	
C2	O-Ring	AXW02577BK00		1	1	1	1	1	1	
C3	Pulsator Unit	AXW05016ZR1P		1	1	1	1	1	1	
C4	Shaft Bushing	AXW05046ZR00		1	1	1	1	1	1	
C5	Spinner Shaft Flange Nut	AXW15176RU10		1	1	1	1	1	1	
C6	Spinner Flange Washer B	AXW151980200		1	1	1	1	1	1	
C7	Filter Unit	AXW022A7FX1P		1	1	1	1	1	1	
C8a	Suspension Unit (R-RL)	AXW034U7BK10		2	2	2	2	2	2	Rear : Right & Left
C8b	Suspension Unit (F-R)	AXW034U7BK60		1	1	1	1	1	1	Front : Right
C8c	Suspension Unit (F-L)	AXW034U7BKB0		1	1	1	1	1	1	Front : Left
C9	Outer Tub A	AXW12016CG30		1	1	1	1	1	1	
C9a	Outer Tub B	AXW12027BK10		1	1	1	1	1	1	
C10	Motor Washer A	AXW04207BK00		2	2	2	2	2	2	
C11	Motor	AXW040157626	S	1	1	1	1	1	1	
C12	Motor Washer B	AXW04217BK10		2	2	2	2	2	2	
C13	Motor Pulley	AXW04116XB00		1	1	1	1	1	1	
C14	V-Belt	AXW041219860		1	1	1	1	1	1	
C15	Spinner Plate B	AXW32327BL00		1	1	1	1	1	1	
C16	Valve Unit	AXW009D6ZR00		1	1	1	1	1	1	
C17	Geared Motor	AXW348202516	S	1	1	1	1	1	1	
C18	Lead Wire Unit	AXW014B6UP00	S	1	1	1	1	1	1	
C19	Over Flow Hose B	AXW02345TW0M		1	1	1	1	1	1	
C20	Earth Wire Unit (Internal)	AXW003F6UP00	S	1	1	1	1	1	1	
C21	Mecha-Case Unit	AXW020A6UA60		1	1	1	1	1	1	
C22	Tub Unit	AXW002A7FZ00		1	1	1	1	1	1	
C23	Flexible Hose A Unit	AXW002D6RU00		1	1	1	1	1	1	
C24	Hose Band	AXW02457EC00		1	1	1	1	1	1	

Screws

Ref. No.	Part Name	Part No.	Safety	Countries						Remark
				Thai	Viet	Mal	Sin-Lo	India	Sin-Ex	
	Special Tapping Screw	XTWAXW529		8	8	8	8	8	8	Tub A~Tub D
				6	6	6	6	6	6	Spinner Shaft Flange
	Pan Head Tapping Screw	XTN4+8HFJ		1	1	1	1	1	1	Earth U~Body A
	Special Small Screw	XSSAXW682		1	1	1	1	1	1	Pulsator Unit
	Special Bolt	XVGAXW703J-U		1	1	1	1	1	1	Motor Pulley
		XVGAXW839J		2	2	2	2	2	2	Motor
		XVGAXW812J		4	4	4	4	4	4	Mecha-Case~Outer Tub B
		XTWAXW682J		2	2	2	2	2	2	Spinner Plate B
	Special Tapping Screw	XTWAXW6517J		6	6	6	6	6	6	Outer Tub A,B
		XTWAXW6517J		2	2	2	2	2	2	Valve Unit
		XTWAXW6518J		3	3	3	3	3	3	Geared Motor (Clutch)
		XTWAXW435		4	4	4	4	4	4	Outer Tub Cover
		XTWAXW531		2	2	2	2	2	2	Outer Tub A, B ~ Center

9. LOCATION OF PARTS AND REPLACEMENT PARTS

9.6.2 Replacement of Parts List - C

REPLACEMENT PARTS LIST

Important safety notice :

Components identified by mark have special characteristics important for safety.
When replacing any of these components, use only manufacturer's specified part.

Parts List - C of NA-F80T1 / NA-F90T1 / NA-F1011T

Ref. No.	Part Name	Part No.	Safety	Model			Countries															Remark		
				F80T1	F90T1	F1011T	Thai	Indo	Viet	Mal	Sin-Lo	India	Sin-Ex	Fiji	Phi	Tahiti	UAE-Lo	Kuw	Oman	Qatar	UAE-Ex			
C1	Outer Tub Cover	AXW32246CH10		●	●	●	1	1	1	1	1	1	1	1	1	1	1	1	1	1	1	1	1	
C2	O-Ring	AXW02577BK00		●	●	●	1	1	1	1	1	1	1	1	1	1	1	1	1	1	1	1	1	
C3	Pulsator Unit	AXW05016ZR1P		●	●	●	1	1	1	1	1	1	1	1	1	1	1	1	1	1	1	1	1	
C4	Shaft Bushing	AXW05046ZR00		●	●	●	1	1	1	1	1	1	1	1	1	1	1	1	1	1	1	1	1	
C5	Spinner Shaft Flange Nut	AXW15176RU10		●	●	●	1	1	1	1	1	1	1	1	1	1	1	1	1	1	1	1	1	
C6	Spinner Flange Washer B	AXW151980200		●	●	●	1	1	1	1	1	1	1	1	1	1	1	1	1	1	1	1	1	
C7	Filter Unit	AXW022A7FX1P		●	●	●	1	1	1	1	1	1	1	1	1	1	1	1	1	1	1	1	1	
C8a	Suspension Unit (R-RL)	AXW034U7BK10		●	●	●	2	2	2	2	2	2	2	2	2	2	2	2	2	2	2	2	2	Rear : Right & Left
C8b	Suspension Unit (F-R)	AXW034U7BK60		●	●	●	1	1	1	1	1	1	1	1	1	1	1	1	1	1	1	1	1	Front : Right
C8c	Suspension Unit (F-L)	AXW034U7BK00		●	●	●	1	1	1	1	1	1	1	1	1	1	1	1	1	1	1	1	1	Front : Left
C9	Outer Tub A	AXW12016CG30		●	●	●	1	1	1	1	1	1	1	1	1	1	1	1	1	1	1	1	1	
C9a	Outer Tub B	AXW12027BK10		●	●	●	1	1	1	1	1	1	1	1	1	1	1	1	1	1	1	1	1	
C10	Motor Washer A	AXW04207BK00		●	●	●	2	2	2	2	2	2	2	2	2	2	2	2	2	2	2	2	2	
C11	Motor	AXW040157626	S	●	●	●	1	1	1	1	1	1	1	1	1	1	1	1	1	1	1	1	1	
C12	Motor Washer B	AXW04217BK10		●	●	●	2	2	2	2	2	2	2	2	2	2	2	2	2	2	2	2	2	
C13	Motor Pulley	AXW04116XB00		●	●	●	1	1	1	1	1	1	1	1	1									
		AXW0410-7FV00			●																			
C14	V-Belt	AXW041219860		●	●	●	1	1	1	1	1	1	1	1										
		AXW04127BL60			●																			
C15	Spinner Plate B	AXW32327BL00		●	●	●	1	1	1	1	1	1	1	1	1	1	1	1	1	1	1	1	1	
C16	Valve Unit	AXW009D6ZR00		●	●	●	1	1	1	1	1	1	1	1	1	1	1	1	1	1	1	1	1	
C17	Geared Motor	AXW348201006	S	●	●	●	1	1	1	1	1	1	1	1	1	1	1	1	1	1	1	1	1	
C18	Lead Wire Unit	AXW014B6UP00	S	●	●	●	1	1	1	1	1	1	1	1	1	1	1	1	1	1	1	1	1	
C19	Over Flow Hose B	AXW02345TW0M		●	●	●	1	1	1	1	1	1	1	1	1	1	1	1	1	1	1	1	1	
C20	Earth Wire Unit (Internal)	AXW003F6UP00	S	●	●	●	1	1	1	1	1	1	1	1	1	1	1	1	1	1	1	1	1	
C21	Mecha-Case Unit	AXW020A6UA60		●	●	●	1	1	1	1	1	1	1	1	1	1	1	1	1	1	1	1	1	
C22	Tub Unit	AXW002A7FV00		●	●	●	1	1	1	1	1	1	1	1	1	1	1	1	1	1	1	1	1	
C23	Flexible Hose A Unit	AXW002D6RU00		●	●	●	1	1	1	1	1	1	1	1	1	1	1	1	1	1	1	1	1	
C24	Hose Band	AXW02457EC00		●	●	●	1	1	1	1	1	1	1	1	1	1	1	1	1	1	1	1	1	
C25	Tub E	AXW22547FV0P		●	●	●	1	1	1	1	1	1	1	1	1	1	1	1	1	1	1	1	1	
C26	Filter Cover	AXW22087FV0P		●	●	●	1	1	1	1	1	1	1	1	1	1	1	1	1	1	1	1	1	
C27	Filter Unit	AXW022A7FV0P		●	●	●	1	1	1	1	1	1	1	1	1	1	1	1	1	1	1	1	1	
C28	Tub C Unit	AXW012U6ZR0P		●	●	●	2	2	2	2	2	2	2	2	2	2	2	2	2	2	2	2	2	
C29	Tub B Unit	AXW012T7BK0P		●	●	●	1	1	1	1	1	1	1	1	1	1	1	1	1	1	1	1	1	

Screws

Ref. No.	Part Name	Part No.	Safety	Model			Countries															Remark		
				F80T1	F90T1	F1011T	Thai	Indo	Viet	Mal	Sin-Lo	India	Sin-Ex	Fiji	Phi	Tahiti	UAE-Lo	Kuw	Oman	Qatar	UAE-Ex			
	Special Tapping Screw	XTWAXW529		●	●	●	8	8	8	8	8	8	8	8	8	8	8	8	8	8	8	8	8	Tub A ~ Tub D
				●	●	●	6	6	6	6	6	6	6	6	6	6	6	6	6	6	6	6	6	Spinner Shaft Flange
	Pan Head Tapping Screw	XTN4+8HFJ		●	●	●	1	1	1	1	1	1	1	1	1	1	1	1	1	1	1	1	1	Earth U ~ Body A
	Special Small Screw	XSSAXW682		●	●	●	1	1	1	1	1	1	1	1	1	1	1	1	1	1	1	1	1	Pulsator Unit
	Special Bolt	XVGAXW703J-U		●	●	●	1	1	1	1	1	1	1	1	1	1	1	1	1	1	1	1	1	Motor Pulley
		XVGAXW839J		●	●	●	2	2	2	2	2	2	2	2	2	2	2	2	2	2	2	2	2	Motor
		XVGAXW812J		●	●	●	4	4	4	4	4	4	4	4	4	4	4	4	4	4	4	4	4	Mecha Case ~ Outer Tub B
		XTWAXW682J		●	●	●	2	2	2	2	2	2	2	2	2	2	2	2	2	2	2	2	2	Spinner Plate B
	Special Tapping Screw	XTWAXW6517J		●	●	●	6	6	6	6	6	6	6	6	6	6	6	6	6	6	6	6	6	Outer Tub A, B
		XTWAXW6517J		●	●	●	2	2	2	2	2	2	2	2	2	2	2	2	2	2	2	2	2	Valve Unit
		XTWAXW6518J		●	●	●	3	3	3	3	3	3	3	3	3	3	3	3	3	3	3	3	3	Geared Motor (Clutch)
		XTWAXW435		●	●	●	4	4	4	4	4	4	4	4	4	4	4	4	4	4	4	4	4	Outer Tub Cover
		XTWAXW531		●	●	●	2	2	2	2	2	2	2	2	2	2	2	2	2	2	2	2	2	Outer Tub A, B ~ Center

9. LOCATION OF PARTS AND REPLACEMENT PARTS

9.6.3 Replacement of Parts List - C

REPLACEMENT PARTS LIST

Important safety notice :

Components identified by mark have special characteristics important for safety.
When replacing any of these components, use only manufacturer's specified part.

Parts List - C of NA-F80H1 / NA-F90H1

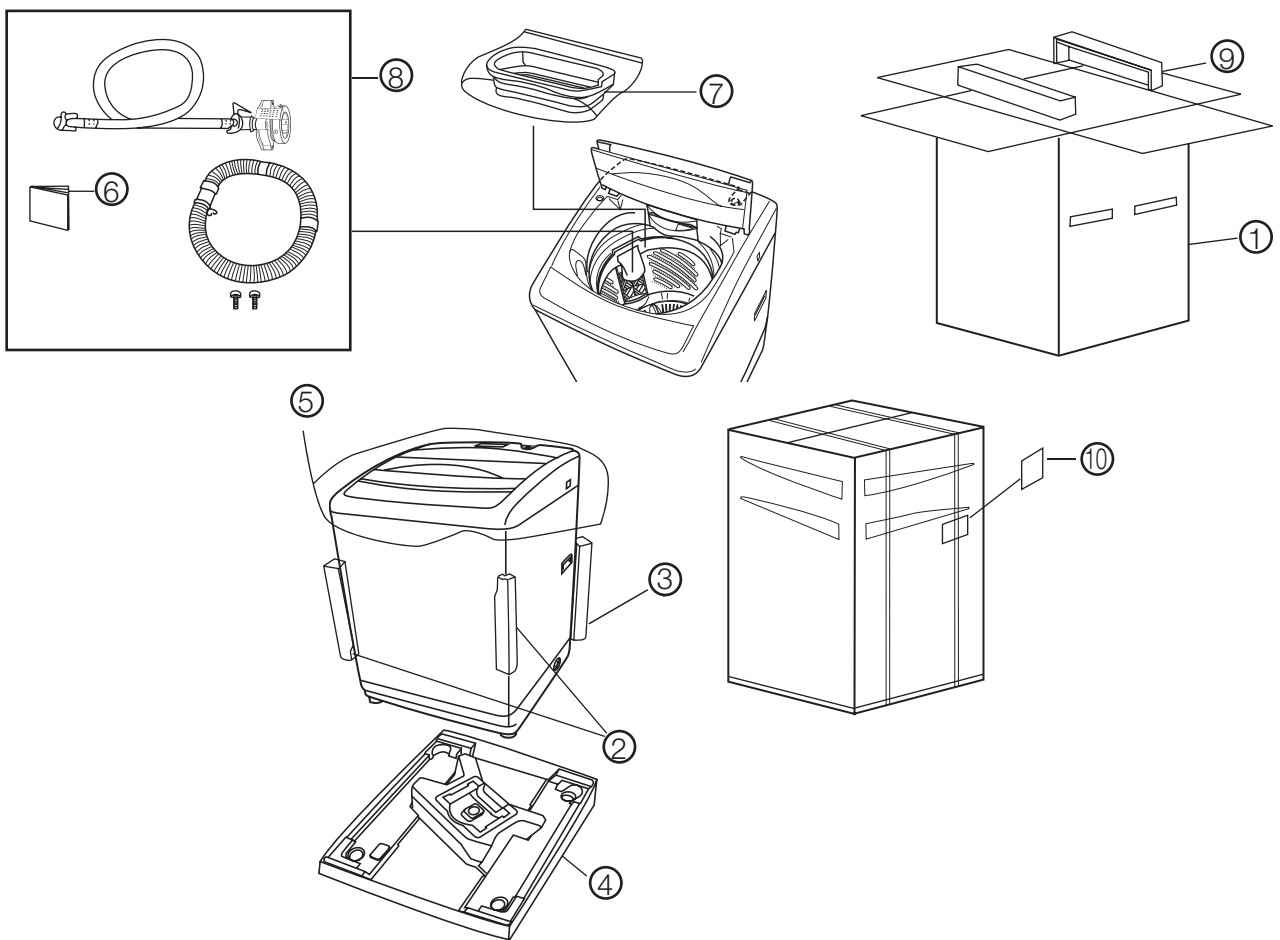
Ref. No.	Part Name	Part No.	Safety	Model		Countries										Remark	
				F80H1	F90H1	Thai	Viet	Mal	Sin-Lo	India	Sin-Ex	UAE-Lo	Kuw	Oman	Qatar		UAE-Ex
C1	Outer Tub Cover	AXW32246CH10		●	●	1	1	1	1	1	1	1	1	1	1	1	
C2	O-Ring	AXW02577BK00		●	●	1	1	1	1	1	1	1	1	1	1	1	
C3	Pulsator Unit	AXW05016ZR1P		●	●	1	1	1	1	1	1	1	1	1	1	1	
C4	Shaft Bushing	AXW05046ZR00		●	●	1	1	1	1	1	1	1	1	1	1	1	
C5	Spinner Shaft Flange Nut	AXW15176RU10		●	●	1	1	1	1	1	1	1	1	1	1	1	
C6	Spinner Flange Washer B	AXW151980200		●	●	1	1	1	1	1	1	1	1	1	1	1	
C7	Filter Unit	AXW022A7FX1P		●	●	1	1	1	1	1	1	1	1	1	1	1	
C8a	Suspension Unit (R-RL)	AXW034U7BK10		●	●	2	2	2	2	2	2	2	2	2	2	2	Rear : Right & Left
C8b	Suspension Unit (F-R)	AXW034U7BK60		●	●	1	1	1	1	1	1	1	1	1	1	1	Front : Right
C8c	Suspension Unit (F-L)	AXW034U7BK00		●	●	1	1	1	1	1	1	1	1	1	1	1	Front : Left
C9	Outer Tub A	AXW12016CG30		●	●	1	1	1	1	1	1	1	1	1	1	1	
C9a	Outer Tub B	AXW12027BK10		●	●	1	1	1	1	1	1	1	1	1	1	1	
C10	Motor Washer A	AXW04207BK00		●	●	2	2	2	2	2	2	2	2	2	2	2	
C11	Motor	AXW040157626	S	●	●	1	1	1	1	1	1	1	1	1	1	1	
C12	Motor Washer B	AXW04217BK10		●	●	2	2	2	2	2	2	2	2	2	2	2	
C13	Motor Pulley	AXW04116XB00		●	●	1	1	1	1	1	1	1	1	1	1	1	
C14	V-Belt	AXW041219860		●	●	1	1	1	1	1	1	1	1	1	1	1	
C15	Spinner Plate B	AXW32327BL00		●	●	1	1	1	1	1	1	1	1	1	1	1	
C16	Valve Unit	AXW009D6ZR00		●	●	1	1	1	1	1	1	1	1	1	1	1	
C17	Geared Motor	AXW348201006	S	●	●	1	1	1	1	1	1	1	1	1	1	1	
C18	Lead Wire Unit	AXW014B6UP00	S	●	●	1	1	1	1	1	1	1	1	1	1	1	
C19	Over Flow Hose B	AXW02345TW0M		●	●	1	1	1	1	1	1	1	1	1	1	1	
C20	Earth Wire Unit (Internal)	AXW003F6UP00	S	●	●	1	1	1	1	1	1	1	1	1	1	1	
C21	Mecha-Case Unit	AXW020A6UA60		●	●	1	1	1	1	1	1	1	1	1	1	1	
C22	Tub Unit	AXW002A7FV00		●	●	1	1	1	1	1	1	1	1	1	1	1	
C23	Flexible Hose A Unit	AXW002D6RU00		●	●	1	1	1	1	1	1	1	1	1	1	1	
C24	Hose Band	AXW02457EC00		●	●	1	1	1	1	1	1	1	1	1	1	1	
C25	Tub E	AXW22547FV0P		●	●	1	1	1	1	1	1	1	1	1	1	1	
C26	Filter Cover	AXW22087FV0P		●	●	1	1	1	1	1	1	1	1	1	1	1	
C27	Filter Unit	AXW022A7FV0P		●	●	1	1	1	1	1	1	1	1	1	1	1	
C28	Tub C Unit	AXW012U6ZR0P		●	●	2	2	2	2	2	2	2	2	2	2	2	
C29	Tub B Unit	AXW012T7BK0P		●	●	1	1	1	1	1	1	1	1	1	1	1	

Screws

Ref. No.	Part Name	Part No.	Safety	Model		Countries										Remark		
				F80H1	F90H1	Thai	Viet	Mal	Sin-Lo	India	Sin-Ex	UAE-Lo	Kuw	Oman	Qatar		UAE-Ex	
	Special Tapping Screw	XTWAXW529		●	●	8	8	8	8	8	8	8	8	8	8	8	Tub A ~ Tub D	
				●	●	6	6	6	6	6	6	6	6	6	6	6	Spinner Shaft Flange	
	Pan Head Tapping Screw	XTN4+8HFJ		●	●	1	1	1	1	1	1	1	1	1	1	1	Earth U ~ Body A	
	Special Small Screw	XSSAXW682		●	●	1	1	1	1	1	1	1	1	1	1	1	Pulsator Unit	
	Special Bolt	XVGAXW703J-U		●	●	1	1	1	1	1	1	1	1	1	1	1	Motor Pulley	
				●	●	2	2	2	2	2	2	2	2	2	2	Motor		
				●	●	4	4	4	4	4	4	4	4	4	4	4	Mecha Case ~ Outer Tub B	
				●	●	2	2	2	2	2	2	2	2	2	2	2	Spinner Plate B	
	Special Tapping Screw	XTWAXW6517J		●	●	6	6	6	6	6	6	6	6	6	6	6	Outer Tub A, B	
				●	●	2	2	2	2	2	2	2	2	2	2	Valve Unit		
				●	●	3	3	3	3	3	3	3	3	3	3	3	Geared Motor (Clutch)	
				●	●	4	4	4	4	4	4	4	4	4	4	4	4	Outer Tub Cover
				●	●	2	2	2	2	2	2	2	2	2	2	2	2	Outer Tub A, B ~ Center

9. LOCATION OF PARTS AND REPLACEMENT PARTS

■ 9.7 Location of Packing Part



9. LOCATION OF PARTS AND REPLACEMENT PARTS

■ 9.8 Replacement of Packing Part List

REPLACEMENT PARTS LIST

Important safety notice :

Components identified by mark have special characteristics important for safety.
When replacing any of these components, use only manufacturer's specified part.

Parts List - Packing of NA-F80B1 / NA-F80T1 / NA-F80H1 / NA-F90T1 / NA-F90H1 / NA-F1011T

Ref. No.	Part Name	Part No.	Safety	Model						Countries											Remark					
				F80B1	F80T1	F90T1	F80H1	F90H1	F1011T	Thai	Indo	Viet	Mal	Sin-Lo	India	Sin-Ex	Fiji	Phi	Tahiti	UAE-Lo		Kuw	Oman	Qatar	UAE-Ex	
1	Protection Case A	AXW90017FZ0T		●							1															
		AXW90017FY0T			●							1														
		AXW90017FX0T				●						1														
		AXW90017FW0T						●				1														
		AXW90017FV0T							●			1														
		AXW90017GW0E								●			1													
		AXW90017FZ0E			●									1	1	1	1	1								
		AXW90017FY0E				●									1	1	1	1								
		AXW90017FX0E					●								1	1	1		1	1	1	1	1	1	1	1
AXW90017FW0E							●						1	1	1				1	1	1	1	1	1		
AXW90017FV0E								●						1	1	1	1					1	1	1		
2	Corner Cushion (F-SIDE) (B-SIDE)	AXW90157FV00		●	●	●	●	●	●	●	1	1	1	1	1	1	1	1	1	1	1	1	1	1	1	1 set
		AXW90157FV50		●	●	●	●	●	●	●	1	1	1	1	1	1	1	1	1	1	1	1	1	1	1	1
3	Corner Pad	AXW90166XB10		●	●	●	●	●	●	●	2	2	2	2	2	2	2	2	2	2	2	2	2	2	2	2
4	Protection Case B Unit	AXW09087BK10		●	●	●	●	●	●	●	1	1	1	1	1	1	1	1	1	1	1	1	1	1	1	1
5	Polyethylene Cover	AXW90606XB10		●	●	●	●	●	●	●	1	1	1	1	1	1	1	1	1	1	1	1	1	1	1	1
6	Operating Instruction	AXW99017FV10					●	●			1															
		AXW99017FV50					●	●						1	1	1	1									
		AXW99017FVA0							●			1														
		AXW99017FVf0						●	●											1	1	1	1	1	1	
		AXW99017FVK0						●	●				1													
		AXW99017FW10				●	●						1													
		AXW99017FW50				●	●							1	1	1	1	1	1	1	1	1	1	1	1	
		AXW99017FWF0				●	●													1	1	1	1	1	1	1
		AXW99017FWK0				●	●							1							1	1	1	1	1	1
		AXW99017FZ10			●								1													
		AXW99017FZ50			●									1	1	1	1									
		AXW99017FZK0			●										1											
		7	Spin Tub Supporter	AXW90867BK10		●	●	●	●	●	●	●	1	1	1	1	1	1	1	1	1	1	1	1	1	1
8	Accessory Bag	AXW90576UP20		●	●	●	●	●	●	●	1	1	1	1	1	1	1	1	1	1	1	1	1	1	1	
9	Body Cover	AXW90047BK00		●	●	●	●	●	●	●	1	1	1	1	1	1	1	1	1	1	1	1	1	1	1	
10	Stock Card	(Silver) AXW99187FV00						●			1															
		(Silver) AXW99187FX00					●				1															
		(White) AXW99187FW00				●						1														
		(White) AXW99187FY00					●					1														
		(Grey) AXW99187FZ00			●							1														
		(White) AXW99187GW00							●				1													
		(Silver) AXW99187FVK0							●					1												
		(Silver) AXW99187FXK0							●						1											
		(White) AXW99187FWK0					●								1											
		(White) AXW99187FYK0					●									1										
		(Grey) AXW99187FZK0			●												1									
		(Silver) AXW99187FV50								●					1											
		(Silver) AXW99187FX50							●							1										
		(White) AXW99187FW50						●								1										
		(White) AXW99187FY50						●									1									
		(Grey) AXW99187FZ50			●													1								
		(Silver) AXW99187FVA0								●								1								
		(Silver) AXW99187FXA0								●									1							
		(White) AXW99187FWA0						●												1						
		(White) AXW99187FYA0						●													1					
		(Grey) AXW99187FZA0			●																	1				
		(Silver) AXW99187FVD0								●													1			
		(White) AXW99187FYD0						●																1		
		(Grey) AXW99187FZD0			●																				1	
		(Silver) AXW99187FVF0								●															1	
		(White) AXW99187FWF0								●																1
		(Grey) AXW99187FZF0			●																					1
		(White) AXW99187FWG0						●																		1
		(White) AXW99187FWP0						●																		1
		(Silver) AXW99187FVU0								●																1
		(Silver) AXW99187FXU0								●																1
		(White) AXW99187FWU0								●																1
		(Silver) AXW99187FVS0								●																1
(Silver) AXW99187FXS0								●																1		
(White) AXW99187FWS0								●																1		

DETAIL CHANGE NOTICE

Revision	Item No.	Page	Detail	Remark
Jan. 2010	1	24	Addition picture C9a	For new Part
	2	25~27	Addition Part Name, Part No.	For Outer Tub B
	3	26	Addition new Part No. of V-Belt (C14)	For Philippines model only
Jul. 2010	1	17	Change Part List - A at Part No. and Q'ty	Ref. No. A4, A5, A9, A12, A13, A14, A15
	2	18	Change Part List - A at Part No. and Q'ty	Ref. No. A4, A5, A7, A9, A12, A13, A14, A15
	3	19	Change Part List - A at Part No. and Q'ty	Ref. No. A1, A4, A5, A8, A9, A12, A14, A15, A25, A26
	4	21	Change Part List - B at Part No. and Q'ty	Ref. No. B3, B7, B9, B11, B12, B16, B17
	5	22	Change Part List - B at Part No. and Q'ty	Ref. No. B1, B3, B7, B9, B11, B12, B16, B17, B18, B19
	6	23	Change Part List - B at Part No. and Q'ty	Ref. No. B1, B3, B7, B9, B11, B12, B16, B17, B19
	7	24	Revise Picture of Tub E	
	8	25	Change Part List - C at Part No. and Q'ty	Ref. No. C5, C7, C8, C9, C12, C14, C22
	9	26	Change Part List - C at Part No. and Q'ty	Ref. No. C5, C7, C8, C9, C12, C14, C22, C25
	10	27	Change Part List - C at Part No. and Q'ty	Ref. No. C5, C7, C8, C9, C12, C14, C22, C26
	11	29	Change Part Packing at Part No. and Q'ty	Ref. No. 3, 6, 8, 10