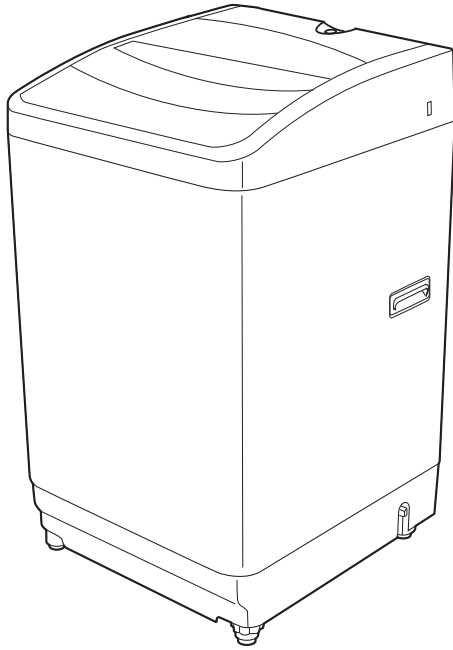


Service Manual

Fully Automatic Washing Machine



NA-F70T1
NA-F70T1P
NA-F70H1
NA-F821H

Product Colour

Silver (A)
White (D)


Destination

Thailand, Indonesia, Vietnam, Malaysia, India
Singapore (Local), Singapore (Export)
Fiji, Philippines, Tahiti, UAE (ONE)
Kuwait, Oman, Qatar, UAE (PGF)

WARNING

The service information is designed for experienced repair technicians only and is not designed for use by the general public. It does not contain warnings or cautions to advise non-technical individuals of potential dangers in attempting to service a product. Products powered by electricity should be serviced or repaired only by experienced professional technicians. Any attempt to service or repair the product or products dealt within this service information by anyone else could result in serious injury or death.

IMPORTANT SAFETY NOTICE

There are special components used in this equipment which are important for safety. These parts are marked by  in the Schematic Diagrams, Circuit Board Diagrams, Exploded Views and Replacement Parts List. It is essential that these critical parts should be replaced with manufacturer's specified parts to prevent shock, fire or other hazards. Do not modify the original design without permission of manufacturer.

CONTENT



	Page
1. Attention in the Repair Work Security	3
2. Specifications	4
3. Features and Technical Information	5
3.1 Function Control with Fuzzy sensor	6
4. Installation	
4.1 Checking of placement	7
4.2 Connect the water supply hose	8
4.3 Install Washing Machine to steady	8
4.4 Child Lock program	8
5. Operations Panel	
5.1 NA-F70T1 / NA-F70T1P	9
5.2 NA-F70H1 / NA-F821H	10
6. Wiring Diagram	
6.1 NA-F70T1 / NA-F70T1P	11
6.2 NA-F70H1 / NA-F821H	11
7. Table of Errors	
7.1 Case of buzzer alarm	12
7.2 Error Indication	13
7.3 Setting after U11 happen	14
8. Troubleshooting	
8.1 Table of Troubleshooting	15
8.2 The following symptoms are not trouble	16 - 17
9. Parts Exploded View and Replacement Parts List	
9.1 Parts Exploded View : Part A	18
9.2.1 Replacement Parts List : Part A of NA-F70T1 / NA-F70T1P	19
9.2.2 Replacement Parts List : Part A of NA-F70H1 / NA-F821H	20
9.3 Parts Exploded View : Part B	21
9.4.1 Replacement Parts List : Part B of NA-F70T1 / NA-F70T1P	22
9.4.2 Replacement Parts List : Part B of NA-F70H1 / NA-F821H	23
9.5 Parts Exploded View : Part C	24
9.6.1 Replacement Parts List : Part C of NA-F70T1 / NA-F70T1P	25
9.6.2 Replacement Parts List : Part C of NA-F70H1 / NA-F821H	26
9.7 Parts Exploded View : Packing Part	27
9.8 Replacement Parts List : Packing of NA-F70T1 / NA-F70T1P / NA-F70H1 / NA-F821H	28
Detail Change Notice	29

Usage	: For repair and change of spare part only for washing machine type Panasonic Model NA-F70T1 / NA-F70T1P / NA-F70H1 / NA-F821H
Instruction for usage	: The work repair and changing of space part should be operated by a skilled technician from the distribution agents, or Panasonic's standard service center.
Warning	: Switch off electrical power before commencing work to avoid a potential short circuit or injury.




1. ATTENTION IN THE REPAIR WORK SECURITY

In order to prevent any accident during repair work and ensure security of the product after repair work, somethings surely followed are explained below.

- The level of the arised damages or dangers, when indicated contents are ignored, are classified by following indications and explained.


	WARNING	The content in the column of this indication is “ Be assumed that possibly die or get seriously injured ”.
	ATTENTION	The content in the column of this indication is “ Be assumed that possibly get damages or possibly only damage object occurred ”.

- Types of the contents being followed are classified by following figured symbols and explained. (The following is an example of expression in pictures)


	This figured symbol means caution “ ATTENTION ”
	This figured symbol means must not do “ PROHIBITION ”
	This figured symbol means surely execute “ INSTRUCTIONS ”

WARNING


Connection of cables should be done according to regular work.

- Connection of cables should be tightened reliably with strength using solderless terminal. (specified parts always using regular bonding plier)
- Install a fire protection cover (fireproof) covering connectin area completely, and close opening areas by tape. (Please reuse the fire protection cover which came with the products).
-  • When drawing cables around, fixing those cables with cable suppression part. Do not touch rotating part, high temperature part and surface of metal.
- Be sure to replace with cable unit when any cable was snapped. When a part of the cable unit was cut, you must not do the connection repair. It may be the cause of smoke, ignition or receiving an electric shock.



Be careful about receiving an electric shock.

 When doing electric connection service such as voltage measurement, please be careful enough about receiving an electric shock at electric charging parts and cable terminal parts.


Pull out electric plug when doing repair work.

 Disassembling, assembling and replacing parts should be done after pulling out electric plug. Receiving an electric shock or getting an injury may occur.


Be sure to use specified parts.

 Always use specified parts for the parts with mark  in the electric circuit diagrams and parts list. It may be the cause of smoke, ignition or damage.


Do not touch any rotating object with hand unless it stops completely.

 Slow rotation may also roll in your hands and cause injury.

Rebuilding is prohibited.


 Do not rebuild machine parts and components when repairing service. It may be the cause of damage or ignition.

Straightly pull out or insert in huasuton terminal.


 Do not twist it. It may be the cause of damage or ignition.

ATTENTION

Please wear gloves when disassembling, replacing and assembling.

 Always wear gloves to prevent an injury by the metal end face or an electric shock at the time of the electricity service

Please be careful to the edges of the metal end face.

 Wear the working clothes of long sleeves to prevent an injury by the metal end face or please work after covering the end face with tape or towel.

2. SPECIFICATIONS

Model		NA-F70T1	NA-F70T1P	NA-F70H1	NA-F821H
Rate voltage and Frequency	220V/50Hz	Vietnam, Singapore (Export), Fiji	Singapore (Export), UAE (PGF)	Thailand, Vietnam, Sin-RBD	Thailand, Vietnam, Singapore (Export), Fiji, UAE (PGF)
	230V/50Hz	Singapore (Local), India		Singapore (Local), India	
	230V/60Hz			Philippines, Tahiti	
	240V/50Hz	Malaysia, UAE (ONE), Oman, Qatar	UAE (ONE), Kuwait, Qatar	UAE (ONE), Kuwait, Qatar, Oman	
Colour		White (D)	White (D)	Silver (A)	Silver (A)
Rate Power	220V/50Hz	390W / 230W			
Consumption (Wash / Spin)	230V/50Hz	400W / 240W			
	230V/60Hz	410W / 250W			
	240V/50Hz	430W / 280W			
Standard Water Consumption		155 Liter			
Standard Capacity		7 Kg			
Weight (with accessories)		32 Kg			
Pulsator (r.p.m.)		110 r / min			
Spin Tub (r.p.m.)		765 r / min			
Water Pressure		0.03 to 1 MPa (0.3 - 10 Kgf / cm ²)			
External Dimension (W x D x H)		583 x 572 x 980 (mm)			
Net Weight		37 Kg			
Motor Power		Input : 320 Watts / Output : 180 Watts			
Safety Switch		Checking Unbalance / Tub Lid			
Alarm		Rings when finishing washing or unusual			
Thermal Protector		Motor			
Water Inlet Hole		Have			
Fabric Softener Dispenser		Have			
Filter		Have			
Automatic Power - Cut Switch		Have			
Bleach Dispenser		Have			

Standard Water Volume

Model : NA-F70T1 / NA-F70T1P / NA-F70H1 / NA-F821H

Wash Level	Water Only	Clothes Weight	
		Weight	Volume
High	56 Liters	7.0 Kgs	51 Liters
Medium	45 Liters	3.5 Kgs	41 Liters
Low 1	35 Liters	2.0 Kgs	33 Liters
Low 2	25 Liters	1.0 Kgs	24 Liters
Low 3	18 Liters	0.5 Kgs	18 Liters
<Lower 3 Lower>	16 Liters	0.3 Kgs	16 Liters

3. FEATURES AND TECHNICAL INFORMATION

■ NA-F70T1 / NA-F70T1P

Program	Time
Normal	Approx. 40 - 59 min
Speedy	Approx. 21 - 37 min
Delicate	Approx. 24 - 29 min
Tub Dry	Approx. 36 min
Soak 1 hour	Approx. 100 - 119 min
Soad 3 hour	Approx. 219 - 238 min
Soak 8 hour	Approx. 511 - 530 min

Product special features

- Pre-wash weight sensor
- Dial indicating detergent level after sensing wash level
- Pre-set timer
- Fabric softener dispenser
- Detergent dispenser
- Automatic power-off when finish
- Dial indicating unusual sign (LED will blink)
- Overflow sensing device
- Dial indicating time remaining

■ NA-F70H1 / NA-F821H

Program	Time
Normal	Approx. 46 - 60 min
Mini	Approx. 15 min
New Speedy	Approx. 37 - 53 min
Blanket	Approx. 47 - 55 min
Delicate	Approx. 23 min
Tub Hygiene	Approx. 150 min
Soak 1 hour	Approx. 61 min
Soad 3 hour	Approx. 179 min
Soak 8 hour	Approx. 471 min

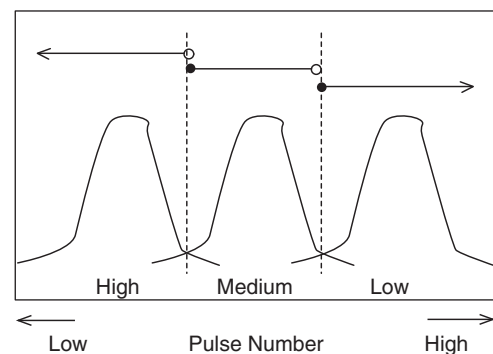
Product special features

- Pre-wash weight sensor
- Dial indicating detergent level after sensing wash level
- Pre-set timer
- Fabric softener dispenser
- Detergent dispenser
- Automatic power-off when finish
- Dial indicating unusual sign (LED will blink)
- Overflow sensing device
- Dial indicating time remaining

Weight Sensor

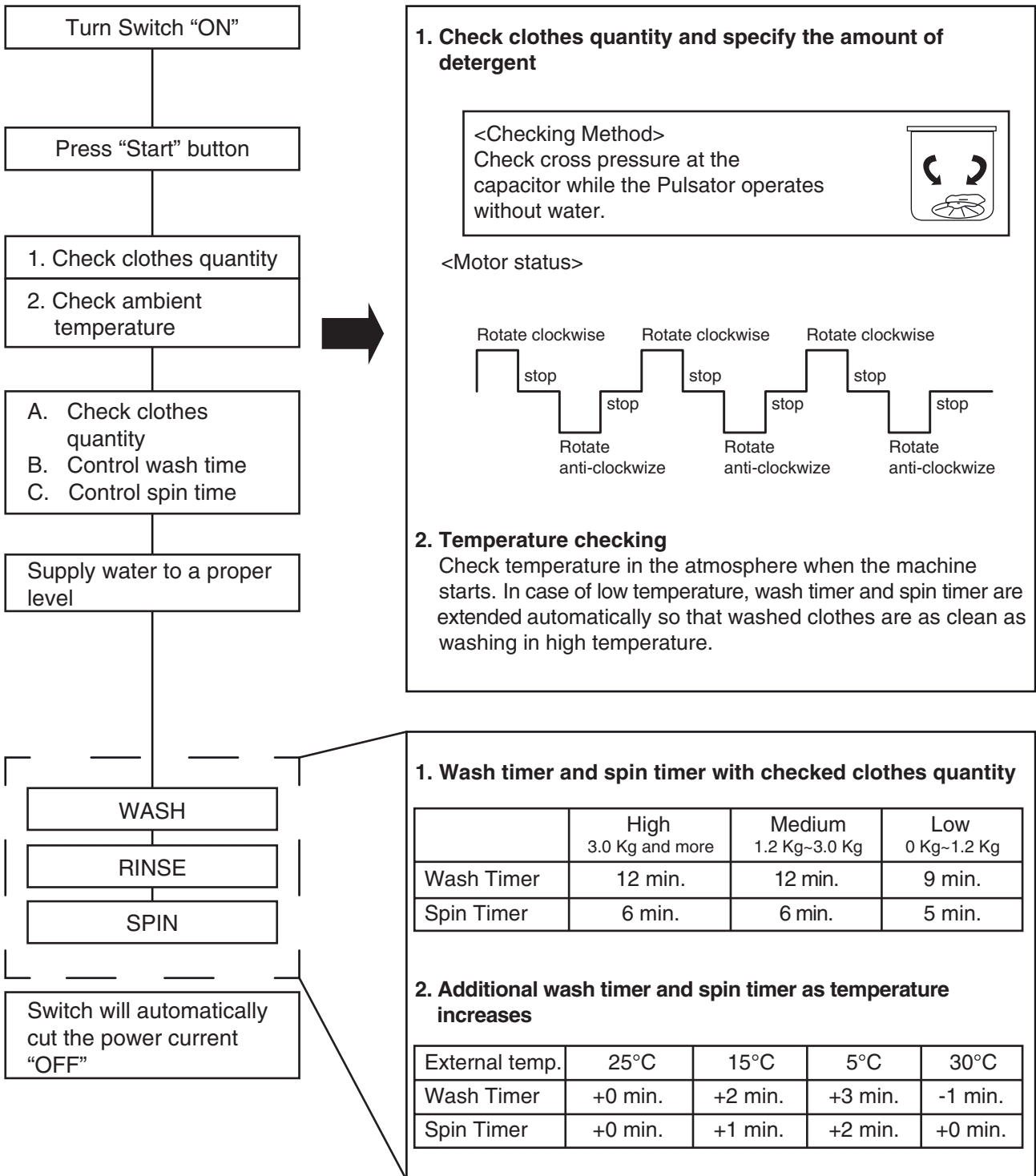
The weight is sensed by the moving force of the Pulsator, which changes a capacitor pole and releases a signal wave. The wave is changed into a pulse number from which the clothes weight is sensed. Prior to weight sensing for Normal and Strong program, the machine runs without water by spinning the Pulsator to left and right for 4.2 seconds (ON 0.3 second- OFF 0.4 second).

The motor stops (OFF), a water system counts the pulse number, then calculates the accumulated pulse numbers for drawing water into the tub over a defined level. The dial will indicate High wash level.



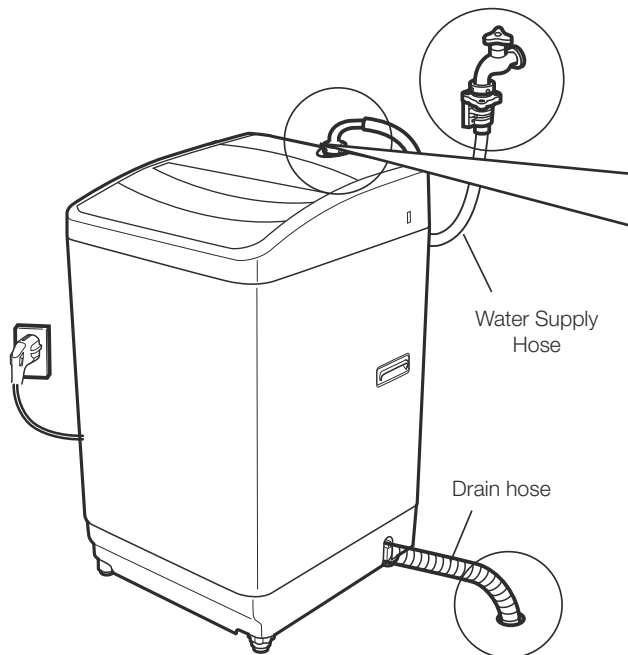
3.1 Function Control with Fuzzy sensor

Clothes quantity checking, wash level indication and detergent consumption indication with Fuzzy Logic System.

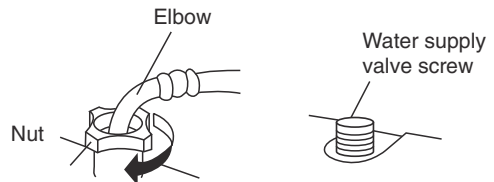


4. INSTALLATION

4.1 Checking of placement



Connect the water supply hose to the water supply valve screw.



1. Push the water supply hose nut straight onto the water supply valve screw.
2. Hold the elbow by lifting it up, screw the nut onto the water supply valve screw, and firmly tighten the nut.
3. After the nut is tightened, check whether or not the elbow is unsteady or loose.
4. After tightening, open the faucet to confirm that there is no water leakage.

[Cautions]

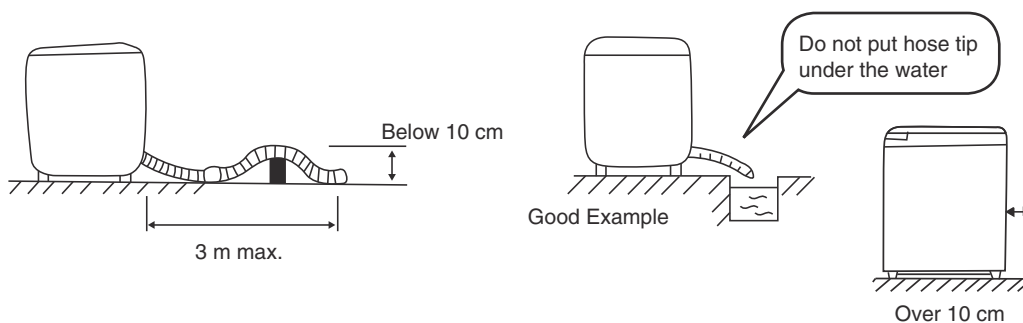
Firmly tighten the nut, otherwise water leakage will result.

Water Pressure Rating :

$2.9 \times 10^4 \sim 9.8 \times 10^5 \text{ Pa}$

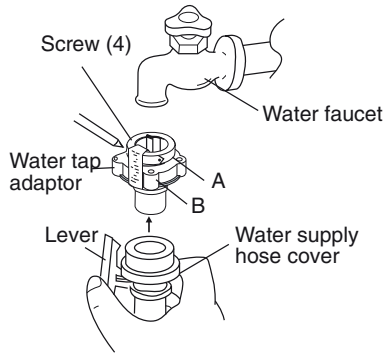
Hose extension

If extended external part is necessary when connecting the drain hose, the length of the drain hose should be less than 3 m and the height should be below 10 cm.



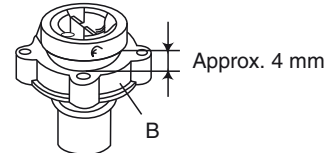
Install the machine 10 cm or more away from the wall.

4.2 Connect the water supply hose



[Note]

- Firmly tighten part B of the water tap adaptor, otherwise water leakage will result.
- When the hose must be reinstalled (after you remove, for example), turn B to the left until about 4 mm of the thread becomes visible, then carry out the procedure described above.

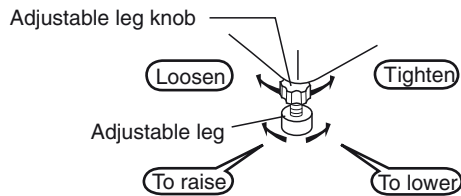


- If a water tap adaptor is already connected, replace with the attached new one.

4.3 Install Washing Machine to steady

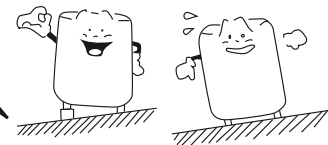
Adjust Height of leg

1. Turn the adjustable leg knob towards (Loosen) direction to loose it.
2. Turn the adjustable leg to adjust the levelness.
 - 2.1 When increasing height, turn adjustable leg towards (Loosen) direction.
 - 2.2 When decreasing height, turn adjustable leg towards (Tighten) direction.
3. Turn the adjustable leg knob towards (Tighten) direction to tighten it.



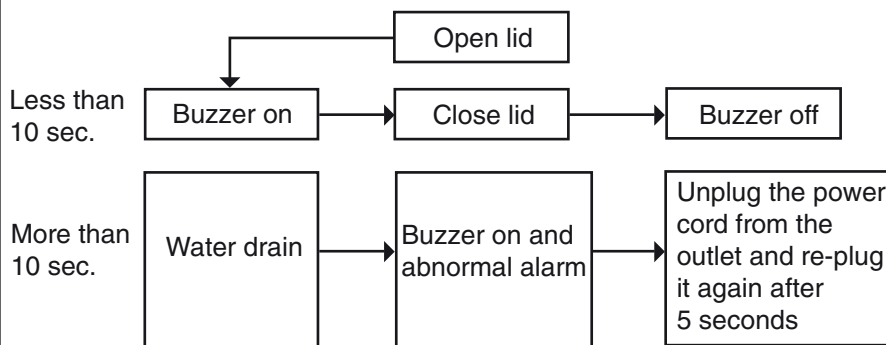
If the floor is largely inclined

Use board or a like for prop up under leg of washing machine



4.4 Child Lock program

Press the [POWER OFF/ON] button for at least 5 seconds. The buzzer sounds (two time for setting) and the [CHILD LOCK] indication turns on.

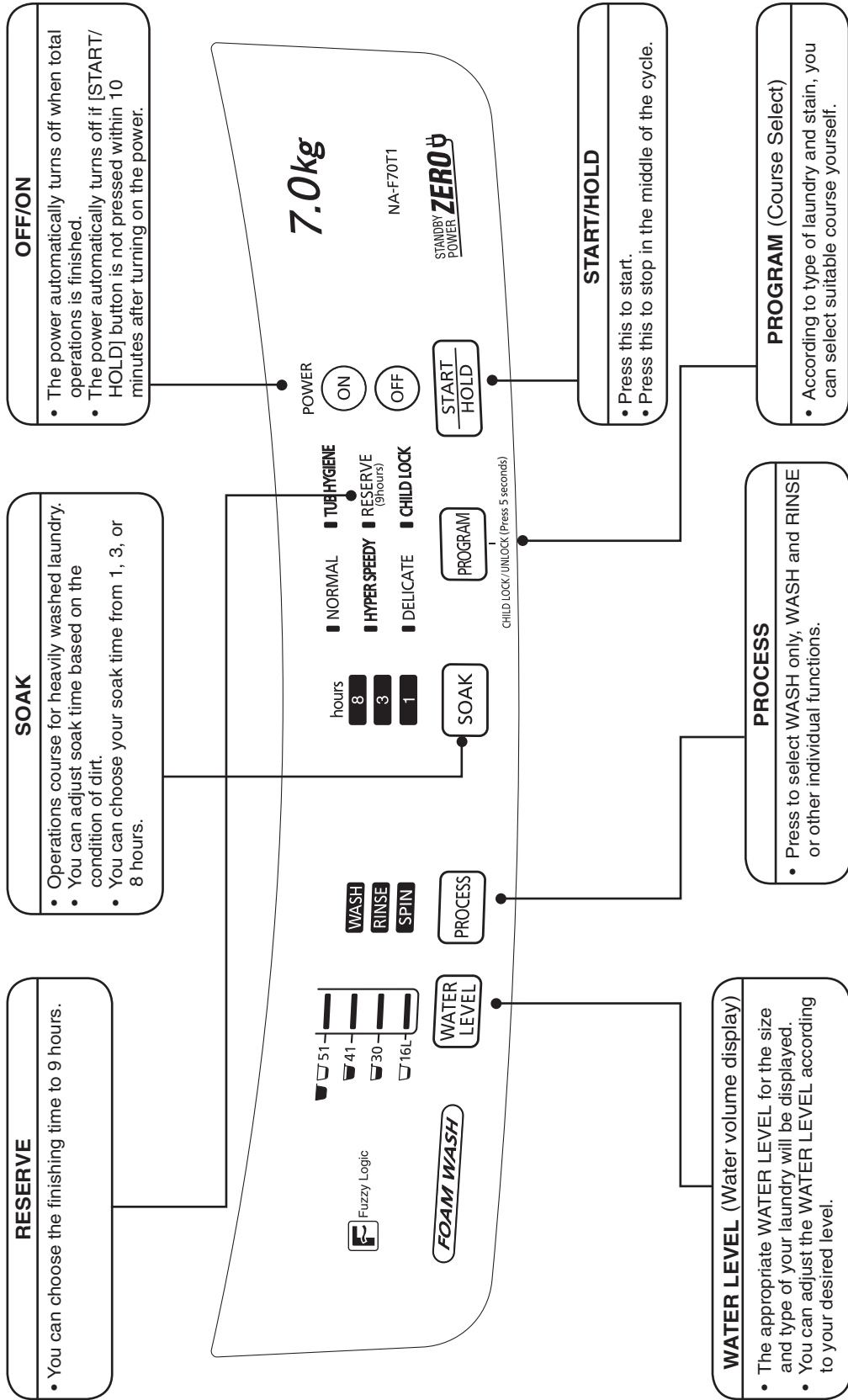


5. OPERATIONS PANEL

5.1 NA-F70T1 / NA-F70T1P



Fuzzy logic control is used to recommend the proper water level and amount of detergent for the amount of laundry being done.

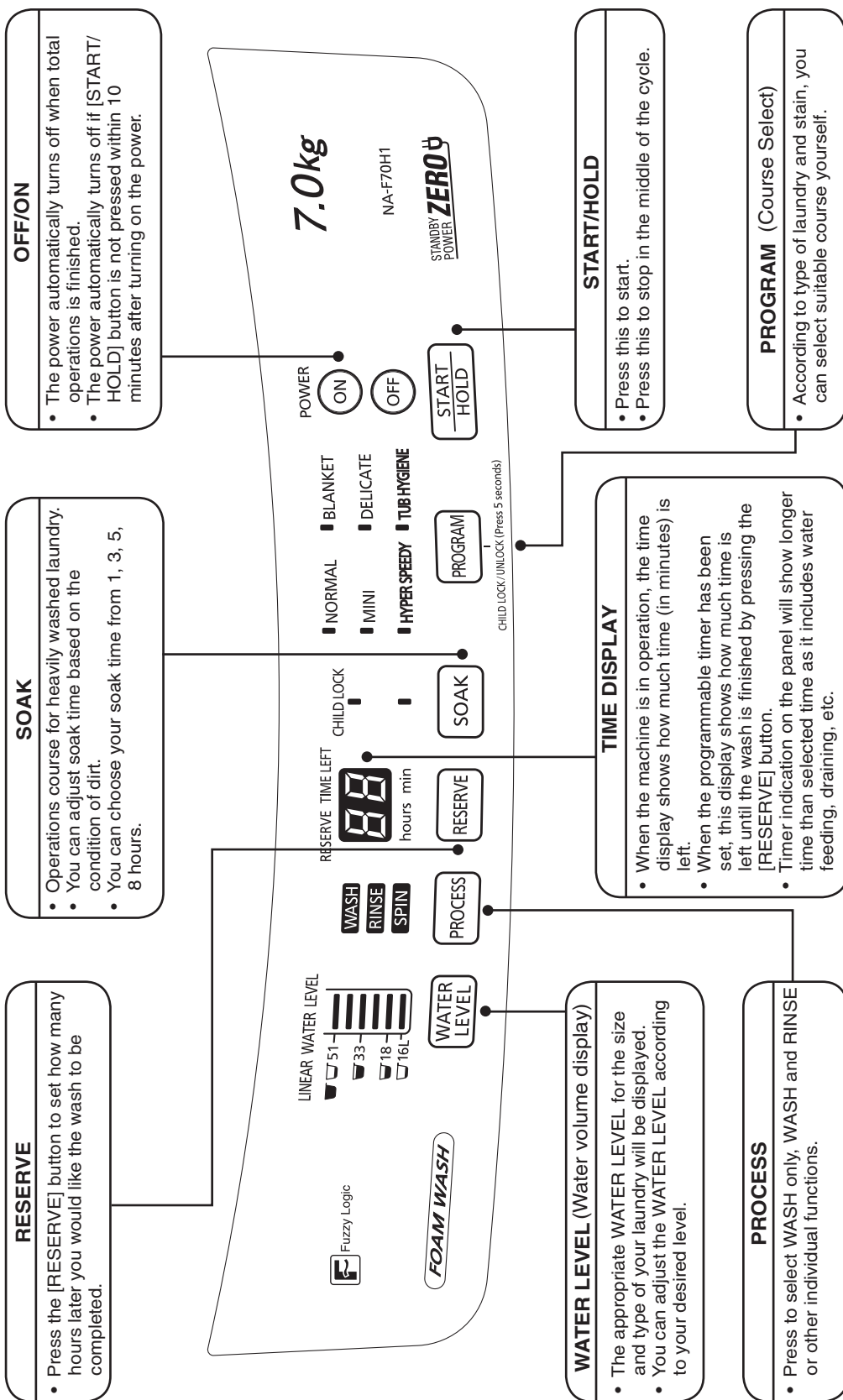


Caution: If you need to change the [PROGRAM] and [SOAK] settings after the cycle has already started, turn the power off and on it back.

5.2 NA-F70H1 / NA-F821H



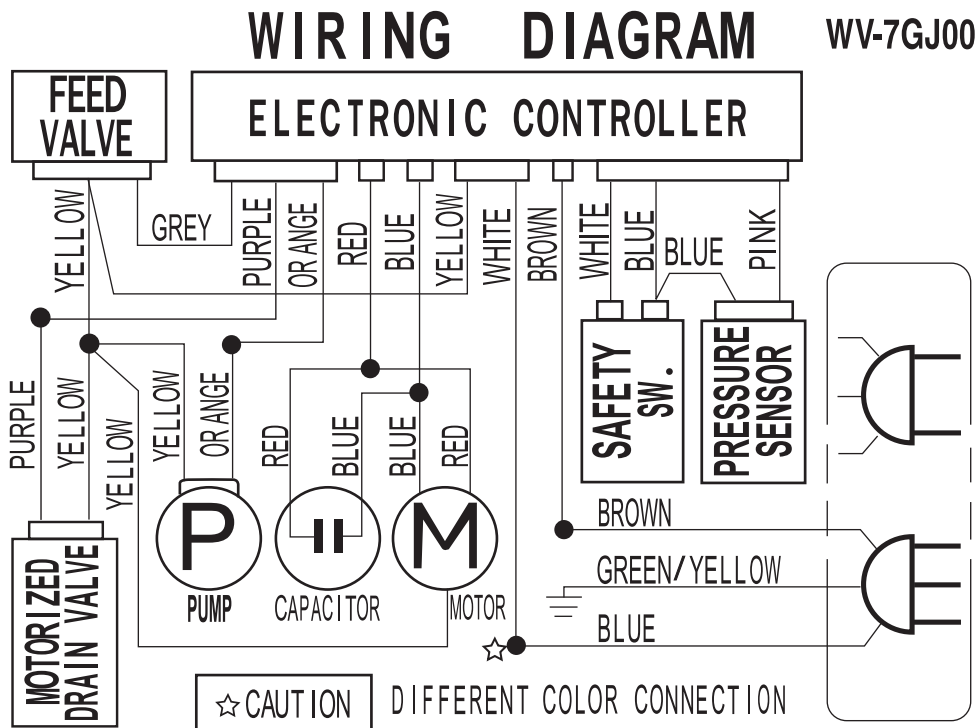
Fuzzy logic control is used to recommend the proper water level and amount of detergent for the amount of laundry being done.



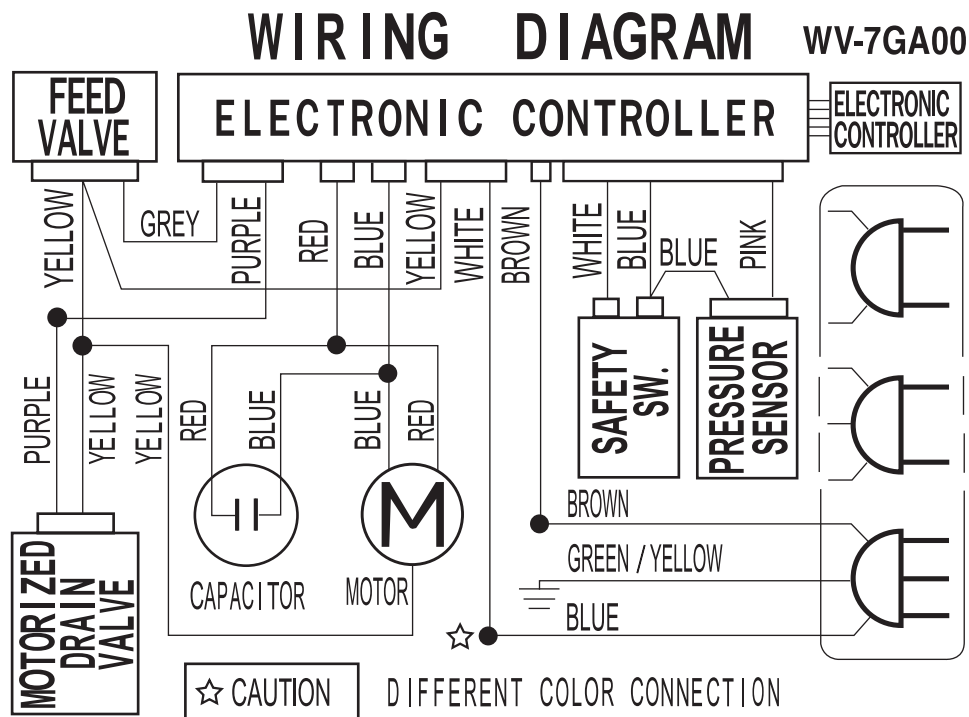
Caution: If you need to change the [PROGRAM] and [SOAK] settings after the cycle has already started, turn the power off and on it back.

6. WIRING DIAGRAM

6.1 NA-F70T1P

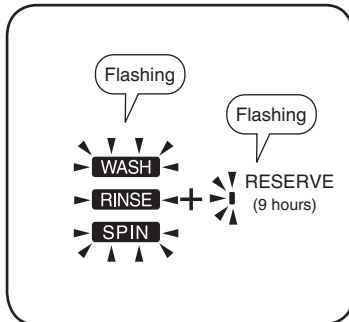


6.2 NA-F70H1 / NA-F821H / NA-F70T1



7. TABLE OF ERRORS

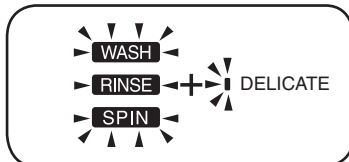
7.1 Case of buzzer alarm



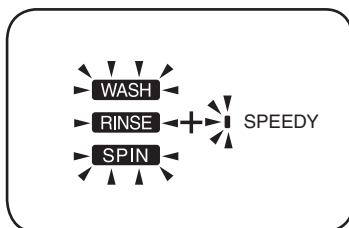
■ Check if abnormalities listed below are seen in the external water hose.

- Is the hose connected?
- Is it clogged with lint?
- Is it crushed?
- Is the tip soaked in water?
- Is a part of hose at a height of over 10 cm midway?
- Is the extension hose longer than 3 m?
- Is the hose lay down?

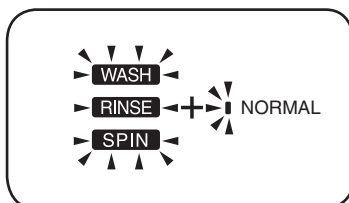
After open and close of the lid. Operation will restart.



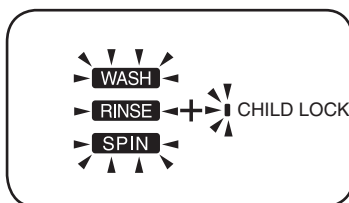
- Check if the lid is opened.
 - ➔ Close the lid.



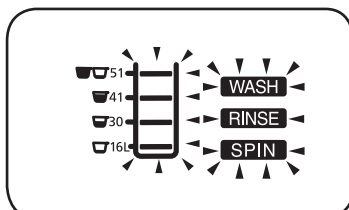
- Is the laundry unbalanced?
 - ➔ Even it out.
- The machine is rattling. Is it inclined toward the floor?
- Is the adjustable knob loose? (Adjust the machine so it does not jiggle, then tighten the adjustable knob.)



- Check if you have forgotten to connect the water hose and to turn on the faucet.
- Check if the connection of the water supply hose is clogged with dirt. Please refer to "Maintenance" (Water supply hose filter)
- Check if the water supply failure.



- Check if the lid open more than 10 seconds after start of water feeding.
- [CHILD LOCK] mode will activated to force the water drain.
- Pull out power plug from the socket outlet and replug it after 5 seconds.
- Please refer to "[CHILD LOCK] program".



- The buzzer does not sound.
- Pull out the power plug and request for service.

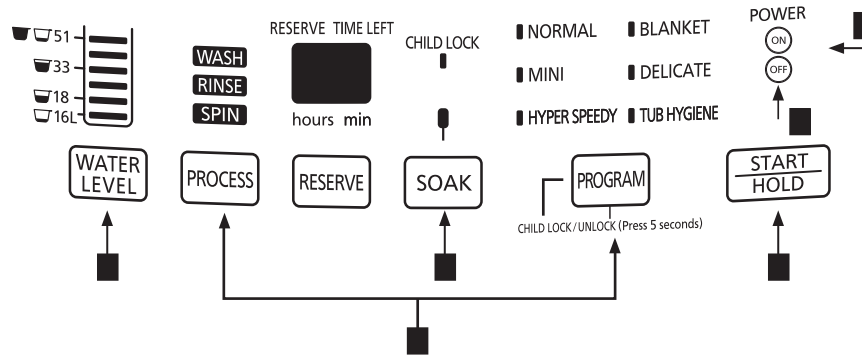
7.2 Error Indication

If the following indications appear on the display panel (buzzer sounds, U and H Characters appear).

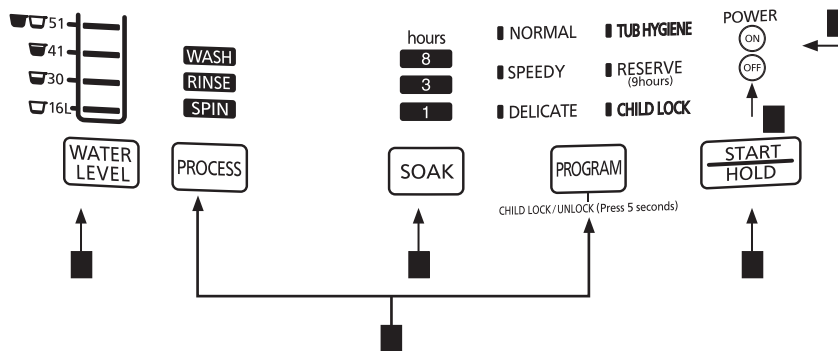
U11	<ul style="list-style-type: none"> • Check if abnormalities listed below are seen in the external water hose. • Is the hose connected? • Is it clogged with lint? • Is it crushed? • Is the tip soaked in water? • Is a part of hose at a height of over 10 cm midway? • Is the extension hose longer than 3 m? • Is the hose being used too small? 	Restart with opening and closing the lid.
U12	<ul style="list-style-type: none"> • Check if the lid is opened. • Close the lid. 	
U13	<ul style="list-style-type: none"> • Is the washing machine is an unsteady position, or is it on an inclined floor surface? • Is the laundry unevenly distributed in the tub? • Arrange the laundry evenly in the tub, then close the lid. 	
U14	<ul style="list-style-type: none"> • Check if you have forgotten to connect the water hose and to turn on the faucet. • Is the water supply cut off? 	Restart with opening and closing the lid.
U99	<ul style="list-style-type: none"> • Check if lid is open when draining operation of the [CHILD LOCK] program is ON. 	
H01	<ul style="list-style-type: none"> • In case of H displays such as "H01", with no buzzer sounds pull out the power plug, and contact your dealer for service. 	

7.3 Setting after U11 happen

NA-F70H1 / NA-F821H



1. Set to power switch to "OFF"
2. Press [PROCESS] + [PROGRAM] and POWER [OFF/ON] button 1 time
3. Press [WATER LEVEL] button 3 times
4. Press [SOAK] button 2 times (WATER LEVEL 6 mm. up)
Remark : Indication on LED from 3B to 39
5. Press [START/HOLD] button 1 time



1. Set to power switch to "OFF"
2. Press [PROCESS] + [PROGRAM] and POWER [OFF/ON] button 1 time
3. Press [WATER LEVEL] button 3 times
4. Press [SOAK] button 2 times (WATER LEVEL 6 mm. up)
Remark : After change light will be indicate on WASH AND TUB HYGIENE
5. Press [START/HOLD] button 1 time

TAP	SOAK	PROCESS
1	3 mm. up	3 mm. down
2	6mm. up	6 mm. down
3	9 mm. up	9 mm. down
4	12 mm. up	12 mm. down

Note : If water level is higher or lower, please adjust water level.

8. TROUBLESHOOTING

8.1 Table of Troubleshooting

Problem (have to check)	Corresponding device	Control panel	Water Inlet Valve	Water level sensor	Safety switch	Gear motor	Capacitor	Mechanism case	Holding spring	Packing valve	Others
Machine does not work	No light at the dial	0									
	Dial light is on	0	0								
Unusual amount of water inside machine	No sound of water from inlet valve	0	0								
	There is sound of water from inlet valve										Check water supply
	Not enough water flow										Check water supply
	Water never stops flowing in	0	0	0							
Washing system does not work	Pulsator does not spin (no sound of motor)	0									Motor
	Pulsator does not spin (there is sound of motor)						0	0			Belt, Motor
	Pulsator spins only one way	0						0			Pulley, Motor
	Pulsator spins slowly	0									Belt, Motor
Unusual draining	No draining	0									
	Drains slowly	0				0				0	
Unusual spinning system	No spinning (no sound of motor)									0	
	No spinning (Pulsator spins)	0			0						
	No force in spinning (tub spins slowly)							0			
Unusual loud noise	Loud noise during washing										Belt, Motor
	Loud noise during dry spinning							0			Check installation
Water leak	Water leaks from drain pipe							0	0		Something clogged
	Water leaks at the bottom of machine										Drain pipe A, Pulsator
Incorrect working	Water is supplied during spinning										Unbalanced tub, leaning
	Rinses more than 3 times				0				0		Unbalanced tub, leaning
	Pulsator spins despite no water				0						Air pipe clogged
	Cannot change function program	0	0								Description of usage
	Water does not flow out of a filter										Description of usage
	No overflow during water filling as rinsing										Description of usage
	Selected washing program cannot be memorized										Description of usage
	Fabric softener flows away too fast										Description of usage
	Pulsator spins in short range as washing and rinsing										Description of usage
	Works at low wash level then supplies water again										Description of usage

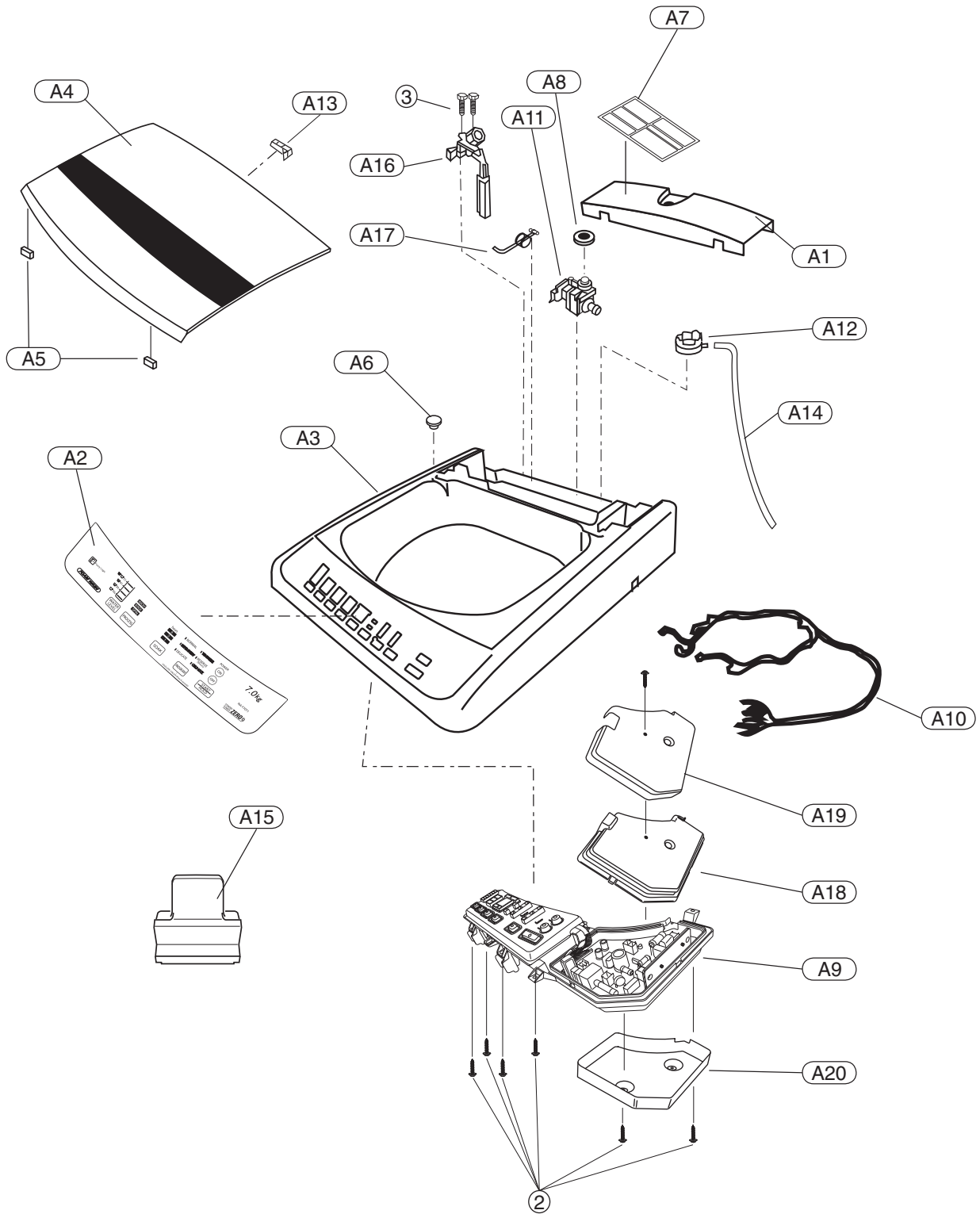
8.2 The following symptoms are not trouble.

Symptoms	Causes
Machine begins filling water in the middle of the wash.	<ul style="list-style-type: none"> When the laundry amount is large at the HIGH water level, the machine sometimes fills automatically. When level goes down, the machine fills automatically.
The water level is too high for the amount of laundry being washed.	<ul style="list-style-type: none"> When the laundry is already soaked with water before the wash is started, or if there is water in the tub before the wash is started, the water level will sometimes be higher.
The water level is too low for the amount of laundry being washed.	<ul style="list-style-type: none"> With light laundry made of synthetic or blended fabric, the water level will sometimes be lower.
Midway during spinning, the operation suddenly changes to rinsing.	<ul style="list-style-type: none"> When the laundry is unbalanced during spin, rinsing and automatic correction of unbalanced laundry will begin. Later spinning will return to normal condition.
Water does not flow through the lint filter. Double Cascade does not operate.	<ul style="list-style-type: none"> When the water level is set to very low, water sometimes will not flow through the lint filter. Double Cascade does not operate when these settings have been selected.
Softener spills out from softener drawer.	<ul style="list-style-type: none"> Keep the level of the softener indicated to prevent the softener from flowing immediately. If you close the softener drawer forcefully, softener may spill out of the drawer.
During draining, the laundry and the spinner rotates with irregular movements.	<ul style="list-style-type: none"> To suppress soap suds build-up, the washing tub turns slowly and quickly.
The buttons do not work.	<ul style="list-style-type: none"> Only the [WATER LEVEL] button is available after the machine begins washing. To change the setting, press the [START/HOLD] button or press the [POWER OFF/ON] button and reconfigure the setting.
If you start with the rinse cycle, the tub is not filled with water.	<ul style="list-style-type: none"> When there is water in the tub, the operation starts with the draining. After spin cycle is finished, the tub will be filled with water.
Washing machine does not run at all.	<ul style="list-style-type: none"> Check if there is power failure. Check if the power fuse has blown out or the breaker is actuated. Check if the power plug is plugged in thoroughly. Check if the "Power Switch" has been pressed. Has the water faucet been turned on? Check if the [START/HOLD] button has been pressed. Has the machine been programmed under [RESERVE] timer?

Symptoms	Causes
Water is not supplied.	<ul style="list-style-type: none"> • Check if the water faucet is turned on. • Is the water supply cut off? • Check if the connection of the water supply hose is clogged with dirt. • Check if the lid is opened. Close the lid.
Washing operation still continue even though the expected finishing time had passed on Reserve Program.	<ul style="list-style-type: none"> • Washing time will be longer because of laundry unbalance, water feeding and draining condition.
Buzzer sounds followed by a draining when opening the lid during wash and rinse.	<ul style="list-style-type: none"> • In the case when open the lid after setting the [CHILD LOCK] mode, it will force the draining process. Pull out power plug from the outlet and replug it after 5 seconds.
Tub shaking with the sound of water.	<ul style="list-style-type: none"> • This is the sound of the liquid to maintain the balance during spinning.
Water supply failure.	<ul style="list-style-type: none"> • Normally after the water supply failure, the water will become muddy. Detach the water feeding hose and turn on the water faucet to release to due muddy water. Fix water hose and start washing.

9. PARTS EXPLODED VIEW AND REPLACEMENT PARTS LIST

9.1 Parts Exploded View : Part A



Important safety notice :

Components identified by mark have special characteristics important for safety.
When replacing any of these components, use only manufacturer's specified part.

9.2.1 Replacement Parts List : Part A of NA-F70T1 / NA-F70T1P**Parts List**

Ref. No.	Part Name	Part No.	Safety	NA-F70T1										NA-F70T1P				Remark	
				Viet	Mal	Sin-Lo	India	Sin-Ex	Fiji	UAE (ONE)	Kuw	Oman	Qatar	Sin-Ex	UAE (ONE)	Kuw	Qatar		UAE (PGF)
A1	Panel A	AXW01307BR0D		1	1	1	1	1	1	1	1	1	1	1	1	1	1	1	
A2	Panel Face B	AXW01467GB50		1	1	1	1	1	1	1	1	1	1						
		AXW01467GC00												1	1	1	1	1	
A3	Body B Unit	AXW001B7GA0D	S	1	1	1	1	1	1	1	1	1	1	1	1	1	1	1	Colour: White
A4	Lid Unit	AXW001G7GA0D		1	1	1	1	1	1	1	1	1	1	1	1	1	1	1	
A5	Lid Packing A	AXW01646UP00		2	2	2	2	2	2	2	2	2	2	2	2	2	2	2	
A6	Leveller	AXW03536DKA0		1	1	1	1	1	1	1	1	1	1						
A7	Spinner Lid Label	AXW11177BS5D		1															
		AXW11177BSKD			1	1	1	1	1	1	1	1	1						
		AXW11177CJ0D												1	1	1	1	1	
A8	Feeding Port Packing	AXW02676UP00	S	1	1	1	1	1	1	1	1	1	1						
A9	Panel Face Unit	AXW011N7GB00	S	1	1	1	1	1	1	1	1	1	1						
		AXW011N7GC00	S											1	1	1	1	1	
A10	Connector Lead Wire Unit	AXW014A7GA00	S	1	1	1	1	1	1	1	1	1	1						
		AXW014A7GC00	S											1	1	1	1	1	
A11	Feeding Valve	AXW292119706	S	1	1	1	1	1	1	1	1	1	1	1	1	1	1	1	
A12	Pressure Sensor Unit	AXW024T03300	S	1	1	1	1	1	1	1	1	1	1	1	1	1	1	1	
		AXW024T02800		1	1	1	1	1	1	1	1	1	1	1	1	1	1	1	1
A13	Lid Hinge Shaft	AXW01937BK00		1	1	1	1	1	1	1	1	1	1	1	1	1	1	1	
A14	Sub Drain Hose Unit	AXW002Q6UT10		1	1	1	1	1	1	1	1	1	1	1	1	1	1	1	
A15	Detergent Case Unit	AXW021B7BR00	S	1	1	1	1	1	1	1	1	1	1	1	1	1	1	1	
A16	Safety Switch	AXW166123700		1	1	1	1	1	1	1	1	1	1	1	1	1	1	1	
A17	Lid Hinge Spring	AXW11167BR10		1	1	1	1	1	1	1	1	1	1	1	1	1	1	1	
A18	Controller Case Lid	AXW24277GA00		1	1	1	1	1	1	1	1	1	1	1	1	1	1	1	
A19	Insulation Spacer A	AXW04867GA00		1	1	1	1	1	1	1	1	1	1	1	1	1	1	1	
A20	Insulation Spacer B	AXW04877GA00		1	1	1	1	1	1	1	1	1	1	1	1	1	1	1	

Screws

Ref. No.	Part Name	Part No.	Safety	NA-F70T1										NA-F70T1P				Remark		
				Viet	Mal	Sin-Lo	India	Sin-Ex	Fiji	UAE (ONE)	Kuw	Oman	Qatar	Sin-Ex	UAE (ONE)	Kuw	Qatar		UAE (PGF)	
	Special Tapping Screw	XTWAXW469J		2	2	2	2	2	2	2	2	2	2	2	2	2	2	2	Body B-Body U	
	Binding Tapping Screw	XTB4+12CFJ		6	6	6	6	6	6	6	6	6	6	6	6	6	6	6	Panel Face Unit	
		XTB4+15CFJ		2	2	2	2	2	2	2	2	2	2	2	2	2	2	2	Safety Sw.- Body B	
		XTB4+15CFJ		2	2	2	2	2	2	2	2	2	2	2	2	2	2	2	Feeding Valve-Body B	
		XTB4+15BFJ		1	1	1	1	1	1	1	1	1	1	1	1	1	1	1	1	Hose Holder A
		XTV3+8GFK		1	1	1	1	1	1	1	1	1	1	1	1	1	1	1	1	Controller Case Lid- Insulation Spacer A
		XTV3+8GFK		2	2	2	2	2	2	2	2	2	2	2	2	2	2	2	2	Controller Cover- Insulation Spacer B

9.2.2 Replacement Parts List : Part A of NA-F70H1 / NA-F821H

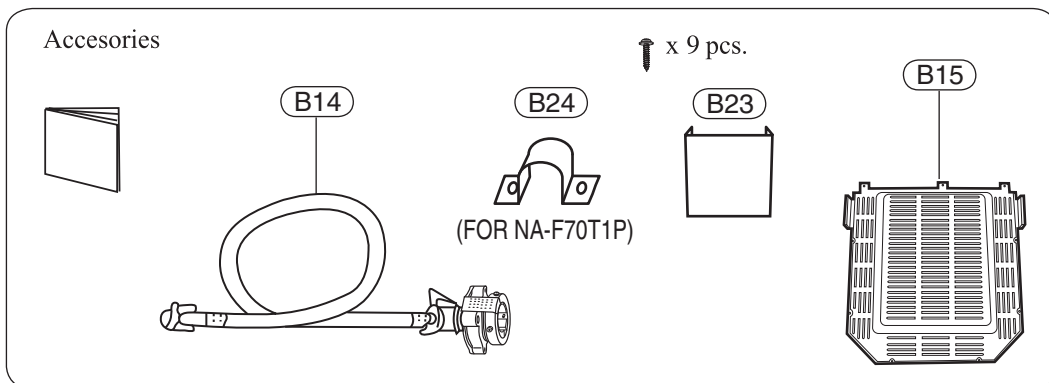
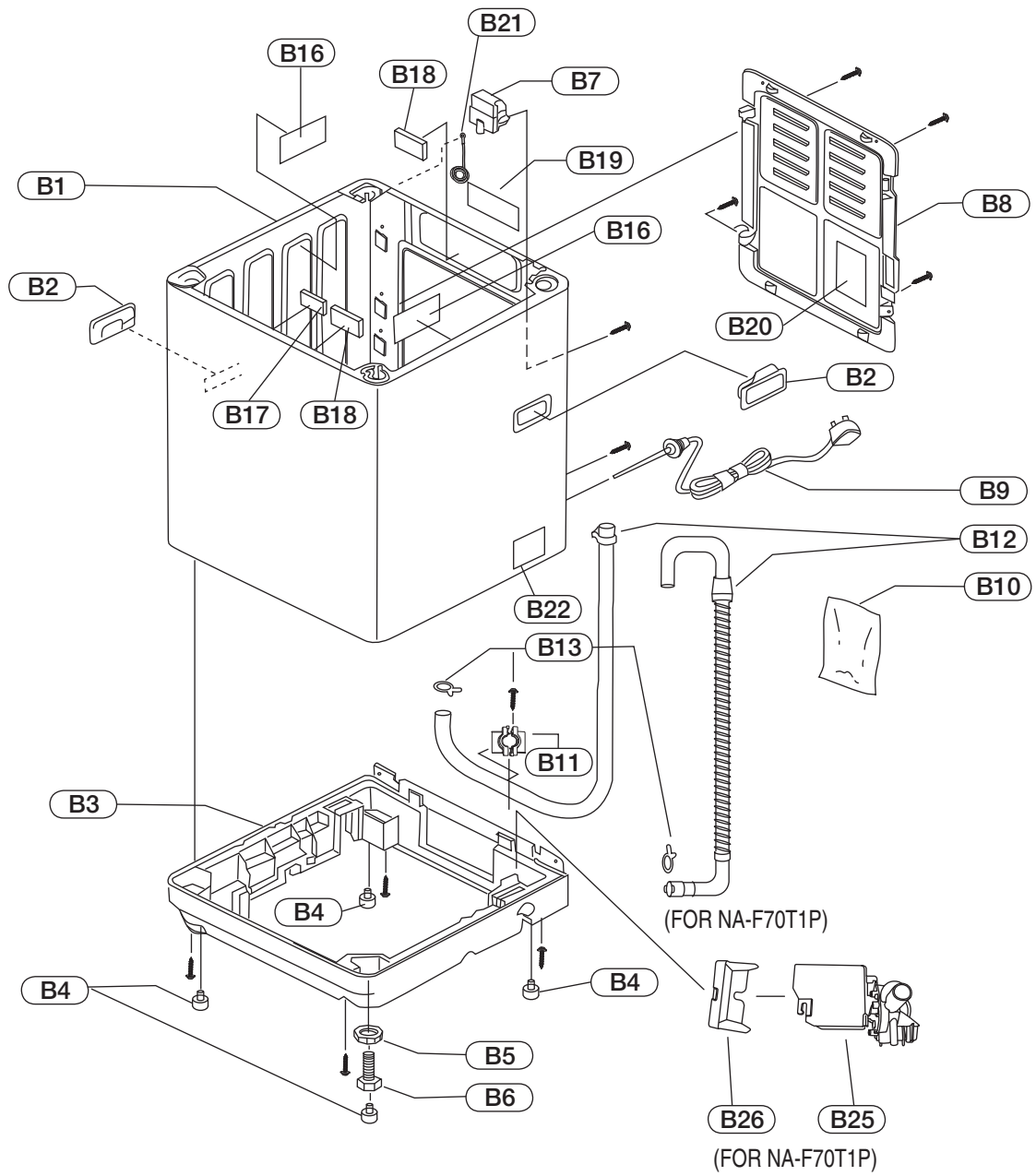
Parts List

Ref. No.	Part Name	Part No.	Safety	NA-F70H1														F821H	Remark
				Thai	Viet	Sin-Lo	India	Sin-Ex	Fiji	Phi	Tahiti	UAE-ONE	Kuw	Oman	Qatar	UAE-PGF	INDO		
A1	Panel A	AXW01307BR0A		1	1	1	1	1	1	1	1	1	1	1	1	1	1	1	
A2	Panel Face B	AXW01467GA00		1															
		AXW01467GA50			1	1	1	1	1	1	1	1	1	1	1	1	1	1	
		AXW01467HW00		1	1	1	1	1	1	1	1	1	1	1	1	1	1	1	1
A3	Body B Unit	AXW001B7GA0K		1	1	1	1	1	1	1	1	1	1	1	1	1	1	1	Colour: Dark Grey
A4	Lid Unit	AXW001G7GA0A	S	4	4	4	4	4	4	4	4	4	4	4	4	4	4	4	
A5	Lid Packing A	AXW01646UP00		1	1	1	1	1	1	1	1	1	1	1	1	1	1	1	
A6	Leveller	AXW03536DKA0		1															
A7	Spinner Lid Label	AXW11177BK0A				1	1	1	1	1	1	1	1	1	1	1	1	1	
		AXW11177BK5A			1														
		AXW11177BKKa		1	1	1	1	1	1	1	1	1	1	1	1	1	1	1	1
A8	Feeding Port Packing	AXW02676UP00		1	1	1	1	1	1	1	1	1	1	1	1	1	1	1	
A9	Panel Face Unit	AXW011N7GA00	S	1	1	1	1	1	1	1	1	1	1	1	1	1	1	1	
A10	Connector Lead Wire Unit	AXW014A7GA00	S	1	1	1	1	1	1	1	1	1	1	1	1	1	1	1	
A11	Feeding Valve	AXW292119706	S	1	1	1	1	1	1	1	1	1	1	1	1	1	1	1	
A12	Pressure Sensor Unit	AXW024T03300	S	1	1	1	1	1	1	1	1	1	1	1	1	1	1	1	
		AXW024T02800	S	1	1	1	1	1	1	1	1	1	1	1	1	1	1	1	1
A13	Lid Hinge Shaft	AXW01937BK00		1	1	1	1	1	1	1	1	1	1	1	1	1	1	1	
A14	Sub Drain Hose Unit	AXW002Q6UT10		1	1	1	1	1	1	1	1	1	1	1	1	1	1	1	
A15	Detergent Case Unit	AXW021B7BR00		1	1	1	1	1	1	1	1	1	1	1	1	1	1	1	
A16	Safety Switch	AXW166123700	S	1	1	1	1	1	1	1	1	1	1	1	1	1	1	1	
A17	Lid Hinge Spring	AXW11167BR10		1	1	1	1	1	1	1	1	1	1	1	1	1	1	1	
A18	Controller Case Lid	AXW24277GA00		1	1	1	1	1	1	1	1	1	1	1	1	1	1	1	
A19	Insulation Spacer A	AXW04867GA00		1	1	1	1	1	1	1	1	1	1	1	1	1	1	1	
A20	Insulation Spacer B	AXW04877GA00		1	1	1	1	1	1	1	1	1	1	1	1	1	1	1	

Screws

Ref. No.	Part Name	Part No.	Safety	NA-F70H1														F821H	Remark	
				Thai	Viet	Sin-Lo	India	Sin-Ex	Fiji	Phi	Tahiti	UAE-ONE	Kuw	Oman	Qatar	UAE-PGF	INDO			
	Special Tapping Screw	XTWAXW469J		2	2	2	2	2	2	2	2	2	2	2	2	2	2	2	Body B~Body U	
	Binding Tapping Screw	XTB4+12CFJ		6	6	6	6	6	6	6	6	6	6	6	6	6	6	6	Panel Face Unit	
		XTB4+15CFJ		2	2	2	2	2	2	2	2	2	2	2	2	2	2	2	Safety Sw.~ Body B	
		XTB4+15CFJ		2	2	2	2	2	2	2	2	2	2	2	2	2	2	2	Feeding Valve~Body B	
		XTB4+15BFJ		1	1	1	1	1	1	1	1	1	1	1	1	1	1	1	1	Hose Holder A
		XTV3+8GFK		1	1	1	1	1	1	1	1	1	1	1	1	1	1	1	1	Controller Case Lid~ Insulation Spacer A
		XTV3+8GFK		2	2	2	2	2	2	2	2	2	2	2	2	2	2	2	2	Controller Cover~ Insulation Spacer B

9.3 Parts Exploded View : Part B



9.4.1 Replacement Parts List : Part B of NA-F70T1 / NA-F70T1P

Parts List

Ref. No.	Part Name	Part No.	Safety	NA-F70T1										NA-F70T1P					Remark		
				Viet	Mal	Sin-Lo	India	Sin-Ex	Fiji	UAE (ONE)	Kuw	Oman	Qatar	Sin-Ex	UAE (ONE)	Kuw	Qatar	UAE (PGF)			
B1	Body A Unit	AXW001A7BR1D			1	1	1	1			1	1	1	1	1	1	1	1	1	Colour : White	
		AXW001A7BR6D		1					1	1											Colour : White
B2	Grip	AXW01106UP0D		2	2	2	2	2	2	2	2	2	2	2	2	2	2	2	2	Colour : White	
B3	Base A	AXW03017EC00		1	1	1	1	1	1	1	1	1	1	1	1	1	1	1	1		
B4	Leg Covering	AXW03396UP00		4	4	4	4	4	4	4	4	4	4	4	4	4	4	4	4		
B5	Adjustable Leg Thumb	AXW03436JZ00		1	1	1	1	1	1	1	1	1	1	1	1	1	1	1	1		
B6	Adjustable Leg	AXW03357EC00		1	1	1	1	1	1	1	1	1	1	1	1	1	1	1	1		
B7	Capacitor	AXW04037P117	S	1	1	1	1	1	1	1	1	1	1	1	1	1	1	1	1		
B8	Back Panel	AXW01566ZV10		1	1	1	1	1	1	1	1	1	1	1	1	1	1	1	1		
B9	Power Cord Unit	AXW004A73014	S	1																Type : C2	
		AXW004A7264	S		1	1	1	1	1	1	1	1	1	1	1	1	1	1	1		Type : S3
		AXW004A72914	S										1						1		Type : C2+Earth
B10	Chemical Cover	AXW04487EC00		1	1	1	1	1	1	1	1	1	1	1	1	1	1	1	1		
B11	Hose Holder A	AXW01207EC00		2	2	2	2	2	2	2	2	2	2	2	2	2	2	2	2		
B12	Flexible Hose B Unit	AXW002E7ED00		1	1	1	1	1	1	1	1	1	1								
	Drain Hose Unit	AXW002D6RJ00												1	1	1	1	1	1	For F70T1P	
B13	Hose Band	AXW02457EC00		1	1	1	1	1	1	1	1	1	1								
		AXW02456RJ10													1	1	1	1	1	1	For F70T1P
B14	Service Pressure Hose Unit	AXW012D7BR00		1	1	1	1	1	1	1	1	1	1	1	1	1	1	1	1		
B15	Bottom Cover	AXW21587EC00		1	1	1	1	1	1	1	1	1	1	1	1	1	1	1	1		
B16	Body A Protection (R & L)	AXW90466AA6M		2	2	2	2	2	2	2	2	2	2	2	2	2	2	2	2	Side Right & Left	
B17	Body A Protection (F-L)	AXW90466NTB0		1	1	1	1	1	1	1	1	1	1	1	1	1	1	1	1	Front Left	
B18	Body A Protection (F-R & B)	AXW90466FK20		2	2	2	2	2	2	2	2	2	2	2	2	2	2	2	2	Front Right & Back	
B19	Name Plate	AXW01537GB50	S		1			1	1	1	1	1	1								
		AXW01537BGA0	S			1	1														
		AXW01537BGK0	S	1																	
		AXW01537GC00	S											1	1	1	1	1	1		
B20	Wiring Diagram	AXW04707GA00			1	1	1	1	1	1	1	1	1								
		AXW04707GA50	S	1																	
		AXW04707CJ00	S											1	1	1	1	1	1		
B21	Earth Wire Unit	AXW030C6SP20	S	1																	
B22	Drain Instruction	AXW99047BK60			1	1	1	1	1	1	1	1	1								
B23	Hose Hole Cover A	AXW01287EC00		1	1	1	1	1	1	1	1	1	2	2	2	2	2	2			
B24	Hose Supporter	AXW02796RJ10											1	1	1	1	1	1	For F70T1p		
B25	Pump Unit	AXW008C6WE10											1	1	1	1	1	1	For F70T1p		
B26	Water Proofing Cover	AXW12387CJ00											1	1	1	1	1	1	For F70T1p		

Screws

Ref. No.	Part Name	Part No.	Safety	NA-F70T1										NA-F70T1P					Remark		
				Viet	Mal	Sin-Lo	India	Sin-Ex	Fiji	UAE (ONE)	Kuw	Oman	Qatar	Sin-Ex	UAE (ONE)	Kuw	Qatar	UAE (PGF)			
	Special Tapping Screw	XTTAXW444J		4	4	4	4	4	4	4	4	4	4	4	4	4	4	4	4	For Base A	
		XTTAXW444J		4	4	4	4	4	4	4	4	4	4	4	4	4	4	4	4	4	For Back Panel
		XTTAXW444J		9	9	9	9	9	9	9	9	9	9	10	10	10	10	10	10	10	For Bottom Cover
	Pan Head Tapping Screw	XTN4+8HFJ		1	1	1	1	1	1	1	1	1	1	1	1	1	1	1	1	1	For Earth U ~ Body A
	Bind Tapping Screw	XYNAXW438J		1	1	1	1	1	1	1	1	1	1	1	1	1	1	1	1	1	For Capacitor
		XTB4+20BFJ		1	1	1	1	1	1	1	1	1	1								For Hose Holder A

9.4.2 Replacement Parts List : Part B of NA-F70H1 / NA-F821H

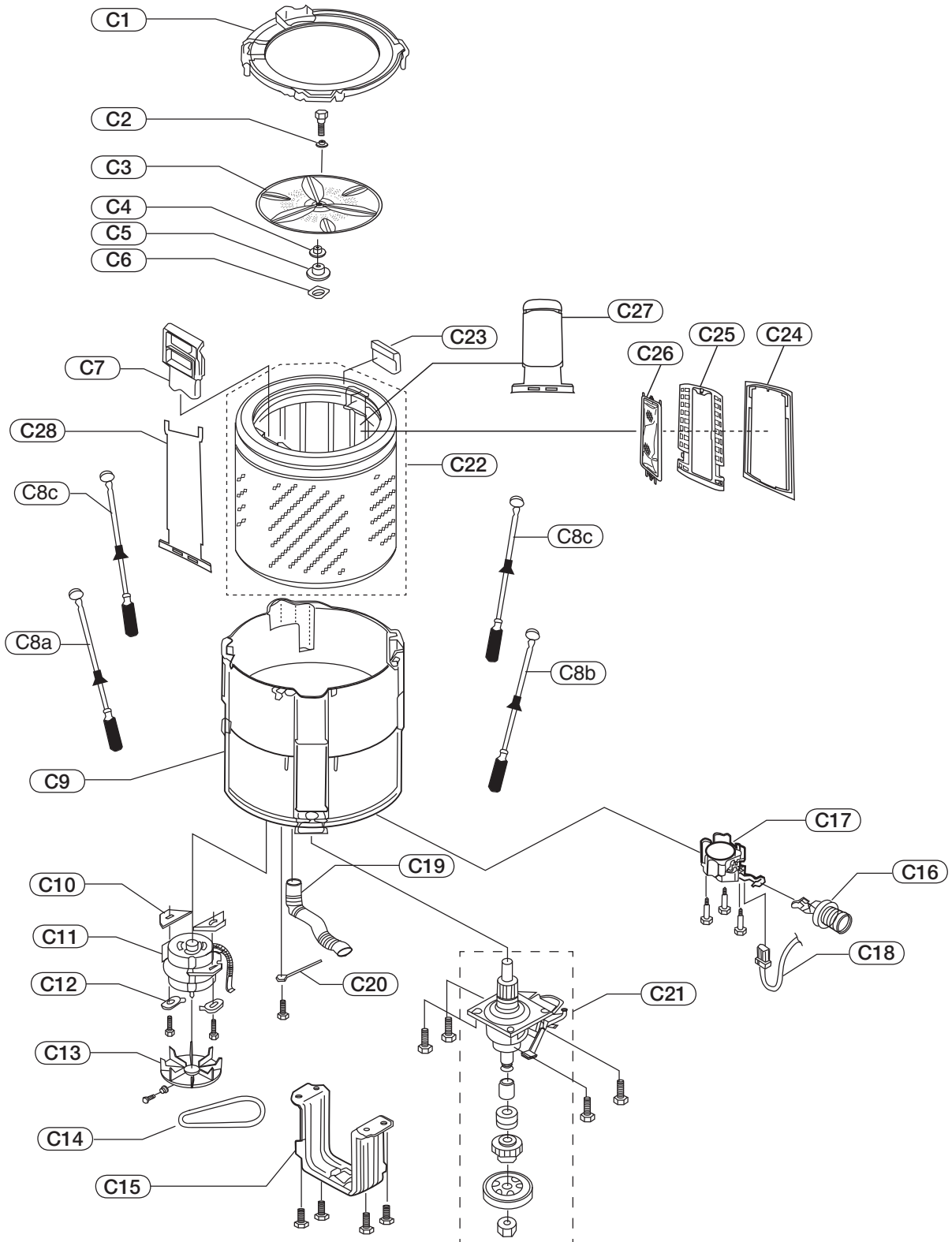
Parts List

Ref. No.	Part Name	Part No.	Safety	NA-F70H1													F821H	Remark					
				Thai	Viet	Sin-Lo	India	Sin-Ex	Fiji	Phi	Tahiti	UAE-ONE	Kuw	Oman	Qatar	UAE-PGF			INDO				
B1	Body A Unit	AXW001A7BR1A		1		1	1						1	1	1	1	1						
		AXW001A7BR6A			1				1	1	1	1							1				
B2	Grip	AXW01106UPOJ		2	2	2	2	2	2	2	2	2	2	2	2	2	2	2	2				
B3	Base A	AXW03017EC00		1	1	1	1	1	1	1	1	1	1	1	1	1	1	1	1				
B4	Leg Covering	AXW03396UP00		4	4	4	4	4	4	4	4	4	4	4	4	4	4	4	4				
B5	Adjustable Leg Thumb	AXW03436JZ00		1	1	1	1	1	1	1	1	1	1	1	1	1	1	1	1				
B6	Adjustable Leg	AXW03357EC00		1	1	1	1	1	1	1	1	1	1	1	1	1	1	1	1				
B7	Capacitor	AXW04037P117	S	1	1	1	1	1	1	1	1	1	1	1	1	1	1	1	1				
B8	Back Panel	AXW01566ZV10		1	1	1	1	1	1	1	1	1	1	1	1	1	1	1	1				
B9	Power Cord Unit	AXW004A83400	S								1	1								Type : A2			
		AXW004A72914	S															1			Type : C2 + Earth		
		AXW004A72934	S	1																		Type : C3	
		AXW004A77264	S			1	1	1	1				1	1	1	1							Type : S3
		AXW004A73014	S		1																1		Type : C2
B10	Chemical Cover	AXW04487EC00		1	1	1	1	1	1	1	1	1	1	1	1	1	1	1	1				
B11	Hose Holder A	AXW01207EC00		2	2	2	2	2	2	2	2	2	2	2	2	2	2	2	2				
B12	Flexible Hose B Unit	AXW002E6UTOC		1	1	1	1	1	1	1	1	1	1	1	1	1	1	1	1				
B13	Hose Band	AXW02457EC00		1	1	1	1	1	1	1	1	1	1	1	1	1	1	1	1				
B14	Service Pressure Hose Unit	AXW012D7BR00		1	1	1	1	1	1	1	1	1	1	1	1	1	1	1	1				
B15	Bottom Cover	AXW21587EC00		1	1	1	1	1	1	1	1	1	1	1	1	1	1	1	1				
B16	Body A Protection (R & L)	AXW90466AA6M		2	2	2	2	2	2	2	2	2	2	2	2	2	2	2	2		Side Right & Left		
B17	Body A Protection (F-L)	AXW90466NTB0		1	1	1	1	1	1	1	1	1	1	1	1	1	1	1	1		Front Left		
B18	Body A Protection (F-R & B)	AXW90466FK20		2	2	2	2	2	2	2	2	2	2	2	2	2	2	2	2		Front Right & Back		
B19	Name Plate	AXW01537GA00	S	1																			
		AXW01537GA50	S					1	1				1	1	1	1	1						
		AXW01537GAA0	S			1	1																
		AXW01537GAK0	S		1																		
		AXW01537HW00	S																		1		
		AXW01537GAF0	S								1	1											
B20	Wiring Diagram	AXW04707GA00		1		1	1	1	1	1	1	1	1	1	1	1	1	1	1				
		AXW04707GA50			1																		
B21	Earth Wire Unit	AXW030C6SP20	S		1					1	1									1			
B22	Drain Instruction	AXW99047BK10		1																			
		AXW99047BK60			1	1	1	1	1	1	1	1	1	1	1	1	1	1	1	1			
B23	Hose Hole Cover A	AXW01287EC00		1	1	1	1	1	1	1	1	1	1	1	1	1	1	1	1				

Screws

Ref. No.	Part Name	Part No.	Safety	NA-F70H1													F821H	Remark				
				Thai	Viet	Sin-Lo	India	Sin-Ex	Fiji	Phi	Tahiti	UAE-ONE	Kuw	Oman	Qatar	UAE-PGF			INDO			
	Special Tapping Screw	XTTAXW444J		4	4	4	4	4	4	4	4	4	4	4	4	4	4	4	4	4	For Base A	
		XTTAXW444J		4	4	4	4	4	4	4	4	4	4	4	4	4	4	4	4	4	4	For Back Panel
		XTTAXW444J		9	9	9	9	9	9	9	9	9	9	9	9	9	9	9	9	9	9	For Bottom Cover
	Pan Head Tapping Screw	XTN4+8HFJ		1	1	1	1	1	1	1	1	1	1	1	1	1	1	1	1	1	1	For Earth U - Body A
	Bind Tapping Screw	XYNAXW438J		1	1	1	1	1	1	1	1	1	1	1	1	1	1	1	1	1	1	For Capacitor
		XTB4+20BFJ		1	1	1	1	1	1	1	1	1	1	1	1	1	1	1	1	1	1	1

9.5 Parts Exploded View : Part C



9.6.1 Replacement Parts List : Part A of NA-F70T1 / NA-F70T1P

Parts List

Ref. No.	Part Name	Part No.	Safety	NA-F70T1										NA-F70T1P					Remark		
				Viet	Mal	Sin-Lo	India	Sin-Ex	Fiji	UAE (ONE)	Kuw	Oman	Qatar	Sin-Ex	UAE (ONE)	Kuw	Qatar	UAE (PGF)			
C1	Outer Tub Cover	AXW32246MCOM		1	1	1	1	1	1	1	1	1	1	1	1	1	1	1	1		
C2	O-Ring	AXW02577BK00		1	1	1	1	1	1	1	1	1	1	1	1	1	1	1	1	1	
C3	Pulsator Unit	AXW05016ZV1P		1	1	1	1	1	1	1	1	1	1	1	1	1	1	1	1	1	
C4	Shaft Bushing	AXW05046ZR00		1	1	1	1	1	1	1	1	1	1	1	1	1	1	1	1	1	
C5	Spinner Shaft Flange Nut	AXW15176RU00		1	1	1	1	1	1	1	1	1	1	1	1	1	1	1	1	1	
C6	Spinner Flange Washer B	AXW151980200		1	1	1	1	1	1	1	1	1	1	1	1	1	1	1	1	1	
C7	Filter U	AXW022A7FX0P		1	1	1	1	1	1	1	1	1	1	1	1	1	1	1	1	1	
C8a	Suspension Unit (R-RL)	AXW034U7BR00		2	2	2	2	2	2	2	2	2	2	2	2	2	2	2	2	2	Rear : Right & Left
C8b	Suspension Unit (F-R)	AXW034U7BR50		1	1	1	1	1	1	1	1	1	1	1	1	1	1	1	1	1	Front : Right
C8c	Suspension Unit (F-L)	AXW034U7BRA0		1	1	1	1	1	1	1	1	1	1	1	1	1	1	1	1	1	Front : Left
C9	Outer Tub A	AXW12016NK10		1	1	1	1	1	1	1	1	1	1	1	1	1	1	1	1	1	
C10	Motor Washer A	AXW04207BK00		2	2	2	2	2	2	2	2	2	2	2	2	2	2	2	2	2	
C11	Motor	AXW040157626	S	1	1	1	1	1	1	1	1	1	1	1	1	1	1	1	1	1	
C12	Motor Washer B	AXW04217BK00		2	2	2	2	2	2	2	2	2	2	2	2	2	2	2	2	2	
C13	Motor Pulley	AXW04116ZV00		1	1	1	1	1	1	1	1	1	1	1	1	1	1	1	1	1	
C14	V-Belt	AXW041219850		1	1	1	1	1	1	1	1	1	1	1	1	1	1	1	1	1	
C15	Spinner Plate B	AXW32326ZV00		1	1	1	1	1	1	1	1	1	1	1	1	1	1	1	1	1	
C16	Valve Unit	AXW009D6ZV00		1	1	1	1	1	1	1	1	1	1								
	Drain Pipe Unit	AXWA0276RJ00												1	1	1	1	1	1	1	
C17	Geared Motor	AXW348201006	S	1	1	1	1	1	1	1	1	1	1	1	1	1	1	1	1	1	
		AXW348202516	S	1	1	1	1	1	1	1	1	1	1	1	1	1	1	1	1	1	
C18	Lead wire Unit	AXW014B6UP00	S	1	1	1	1	1	1	1	1	1	1								
		AXW014B6WE00	S											1	1	1	1	1	1	1	
C19	Over Flow Hose B	AXW02346UP0A		1	1	1	1	1	1	1	1	1	1								
C20	Earth Wire Unit	AXW003F6UP00	S	1	1	1	1	1	1	1	1	1	1	1	1	1	1	1	1	1	Internal Earth
C21	Mecha-Case Unit	AXW020A6UP5C		1	1	1	1	1	1	1	1	1	1	1	1	1	1	1	1	1	
C22	Tub Unit	AXW002A7GA00		1	1	1	1	1	1	1	1	1	1	1	1	1	1	1	1	1	
C23	Rinse Case	AXW21715WP0D		1	1	1	1	1	1	1	1	1	1	1	1	1	1	1	1	1	
C24	Tub E	AXW22547GA0P		1	1	1	1	1	1	1	1	1	1	1	1	1	1	1	1	1	
C25	Filter Cover	AXW22087FV0P		1	1	1	1	1	1	1	1	1	1	1	1	1	1	1	1	1	
C26	Filter Unit	AXW022A7FV0P		1	1	1	1	1	1	1	1	1	1	1	1	1	1	1	1	1	
C27	Tub C Unit	AXW012U6ZV0P		2	2	2	2	2	2	2	2	2	2	2	2	2	2	2	2	2	
C28	Tub B Unit	AXW012T7BR0P		1	1	1	1	1	1	1	1	1	1	1	1	1	1	1	1	1	

Screws

Ref. No.	Part Name	Part No.	Safety	NA-F70T1										NA-F70T1P					Remark		
				Viet	Mal	Sin-Lo	India	Sin-Ex	Fiji	UAE (ONE)	Kuw	Oman	Qatar	Sin-Ex	UAE (ONE)	Kuw	Qatar	UAE (PGF)			
	Special Tapping Screw	XTWAXW529		8	8	8	8	8	8	8	8	8	8	8	8	8	8	8	8	8	Tub A-Tub D
				6	6	6	6	6	6	6	6	6	6	6	6	6	6	6	6	6	Spinner Shaft Flange
	Pan Head Tapping Screw	XTN4+8HFJ		1	1	1	1	1	1	1	1	1	1	1	1	1	1	1	1	1	Earth U-Body A
	Special Small Screw	XYMAXW681		1	1	1	1	1	1	1	1	1	1	1	1	1	1	1	1	1	Pulsator Unit
	Special Bolt	XVGAXW703J		1	1	1	1	1	1	1	1	1	1	1	1	1	1	1	1	1	Motor Pulley
		XVGAXW839J		2	2	2	2	2	2	2	2	2	2	2	2	2	2	2	2	2	Motor
		XVGAXW812J		4	4	4	4	4	4	4	4	4	4	4	4	4	4	4	4	4	Mecha-case-Outer Tub B
		XTWAXW682J		2	2	2	2	2	2	2	2	2	2	2	2	2	2	2	2	2	Spinner Plate B
	Special Tapping Screw	XTWAXW6517J		6	6	6	6	6	6	6	6	6	6	6	6	6	6	6	6	6	Outer Tub A,B
		XTWAXW6518J		3	3	3	3	3	3	3	3	3	3	3	3	3	3	3	3	3	Geared Motor
		XTWAXW531		2	2	2	2	2	2	2	2	2	2	2	2	2	2	2	2	2	Outer Tub A,B-Center

9.6.2 Replacement Parts List : Part A of NA-F70H1 / NA-F821H

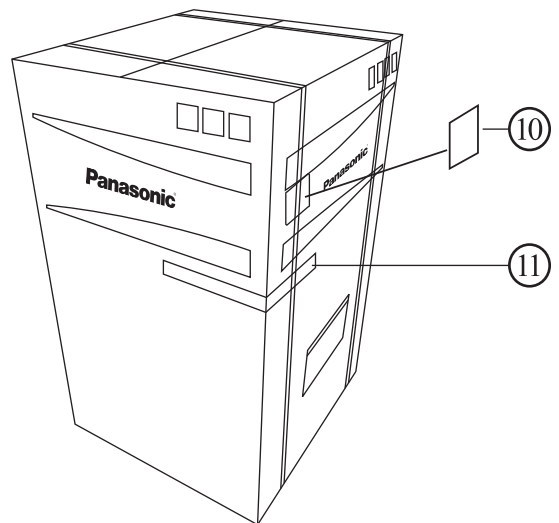
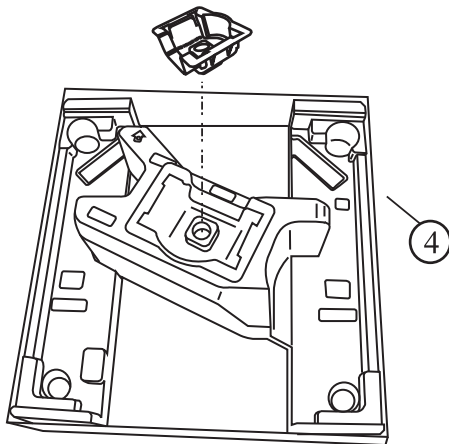
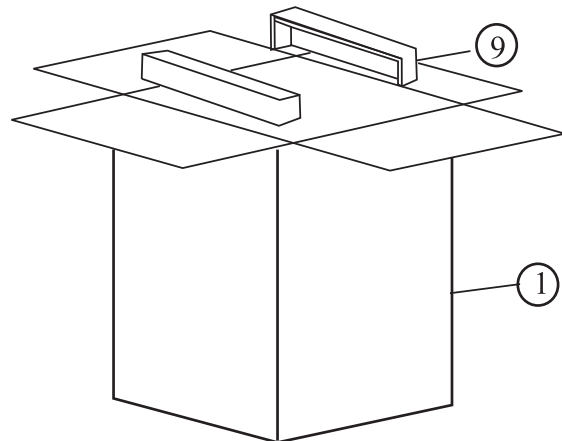
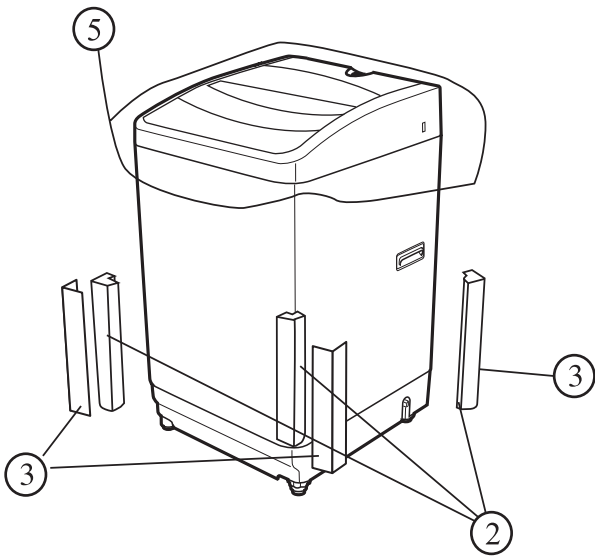
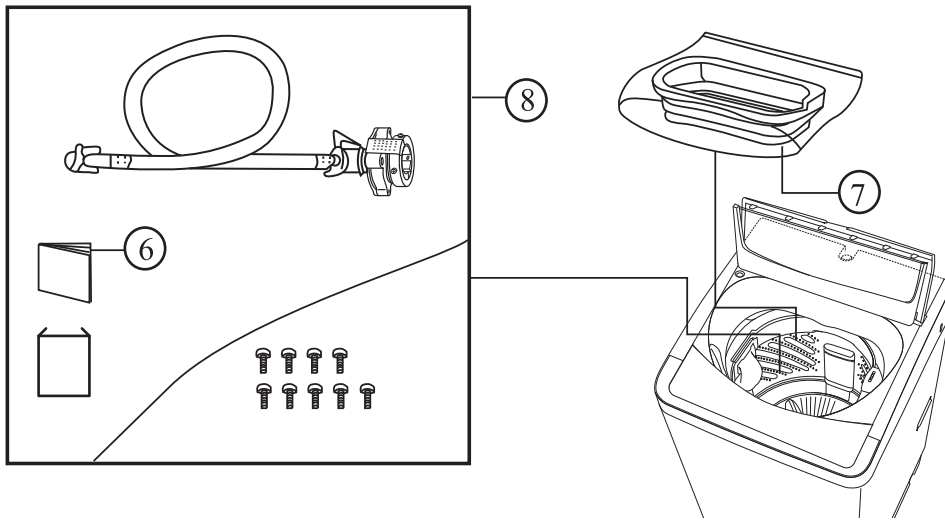
Parts List

Ref. No.	Part Name	Part No.	Safety	NA-F70H1														F821H	Remark
				Thai	Viet	Sin-Lo	India	Sin-Ex	Fiji	Phi	Tahiti	UAE-ONE	Kuw	Oman	Qatar	UAE-PGF	INDO		
C1	Outer Tub Cover	AXW32246MC0M		1	1	1	1	1	1	1	1	1	1	1	1	1	1	1	
C2	O-Ring	AXW02577BK00		1	1	1	1	1	1	1	1	1	1	1	1	1	1	1	
C3	Pulsator Unit	AXW05016ZV1P		1	1	1	1	1	1	1	1	1	1	1	1	1	1	1	
C4	Shaft Bushing	AXW05046ZR00		1	1	1	1	1	1	1	1	1	1	1	1	1	1	1	
C5	Spinner Shaft Flange Nut	AXW15176RU00		1	1	1	1	1	1	1	1	1	1	1	1	1	1	1	
C6	Spinner Flange Washer B	AXW151980200		1	1	1	1	1	1	1	1	1	1	1	1	1	1	1	
C7	Filter U	AXW022A7FX0P		1	1	1	1	1	1	1	1	1	1	1	1	1	1	1	
C8a	Suspension Unit (R-RL)	AXW034U7BR00		2	2	2	2	2	2	2	2	2	2	2	2	2	2	2	Rear : Right & Left
C8b	Suspension Unit (F-R)	AXW034U7BR50		1	1	1	1	1	1	1	1	1	1	1	1	1	1	1	Front : Right
C8c	Suspension Unit (F-L)	AXW034U7BRA0		1	1	1	1	1	1	1	1	1	1	1	1	1	1	1	Front : Left
C9	Outer Tub A	AXW12016NK10		1	1	1	1	1	1	1	1	1	1	1	1	1	1	1	
C10	Motor Washer A	AXW04207BK00		2	2	2	2	2	2	2	2	2	2	2	2	2	2	2	
C11	Motor	AXW040157626	S	1	1	1	1	1	1	1	1	1	1	1	1	1	1	1	
C12	Motor Washer B	AXW04217BK00		2	2	2	2	2	2	2	2	2	2	2	2	2	2	2	
C13	Motor Pulley	AXW04116ZV00		1	1	1	1	1	1										
		AXW04106ZV00								1	1								
C14	V-Belt	AXW041219850		1	1	1	1	1	1										
		AXW041219050								1	1								
C15	Spinner Plate B	AXW32326ZV00		1	1	1	1	1	1	1	1	1	1	1	1	1	1	1	
C16	Valve Unit	AXW009D6ZV00		1	1	1	1	1	1	1	1	1	1	1	1	1	1	1	
C17	Geared Motor	AXW348201006	S	1	1	1	1	1	1	1	1	1	1	1	1	1	1	1	
		AXW348202516	S	1	1	1	1	1	1	1	1	1	1	1	1	1	1	1	
C18	Lead wire Unit	AXW014B6UP00	S	1	1	1	1	1	1	1	1	1	1	1	1	1	1	1	
C19	Over Flow Hose B	AXW02346UP0A		1	1	1	1	1	1	1	1	1	1	1	1	1	1	1	
C20	Earth Wire Unit	AXW003F6UP00	S	1	1	1	1	1	1	1	1	1	1	1	1	1	1	1	Internal Earth
C21	Mecha-Case Unit	AXW020A6UP5C		1	1	1	1	1	1	1	1	1	1	1	1	1	1	1	
C22	Tub Unit	AXW002A7GA00		1	1	1	1	1	1	1	1	1	1	1	1	1	1	1	
C23	Rinse Case	AXW21715WP0D		1	1	1	1	1	1	1	1	1	1	1	1	1	1	1	
C24	Tub E	AXW22547GA0P		1	1	1	1	1	1	1	1	1	1	1	1	1	1	1	
C25	Filter Cover	AXW22087FV0P		1	1	1	1	1	1	1	1	1	1	1	1	1	1	1	
C26	Filter Unit	AXW022A7FV0P		1	1	1	1	1	1	1	1	1	1	1	1	1	1	1	
C27	Tub C Unit	AXW012U6ZV0P		2	2	2	2	2	2	2	2	2	2	2	2	2	2	2	
C28	Tub B Unit	AXW012T7BR0P		1	1	1	1	1	1	1	1	1	1	1	1	1	1	1	

Screws

Ref. No.	Part Name	Part No.	Safety	NA-F70H1														F821H	Remark	
				Thai	Viet	Sin-Lo	India	Sin-Ex	Fiji	Phi	Tahiti	UAE-ONE	Kuw	Oman	Qatar	UAE-PGF	INDO			
	Special Tapping Screw	XTWAXW529		8	8	8	8	8	8	8	8	8	8	8	8	8	8	8	8	Tub A--Tub D
				6	6	6	6	6	6	6	6	6	6	6	6	6	6	6	6	6
	Pan Head Tapping Screw	XTN4+8HFJ		1	1	1	1	1	1	1	1	1	1	1	1	1	1	1	Earth U--Body A	
	Special Small Screw	XYMAXW681		1	1	1	1	1	1	1	1	1	1	1	1	1	1	1	Pulsator Unit	
	Special Bolt	XVGAXW703J		1	1	1	1	1	1	1	1	1	1	1	1	1	1	1	Motor Pulley	
		XVGAXW839J		2	2	2	2	2	2	2	2	2	2	2	2	2	2	2	Motor	
		XVGAXW812J		4	4	4	4	4	4	4	4	4	4	4	4	4	4	4	Mecha-case--Outer Tub B	
		XTWAXW682J		2	2	2	2	2	2	2	2	2	2	2	2	2	2	2	2	Spinner Plate B
	Special Tapping Screw	XTWAXW6517J		6	6	6	6	6	6	6	6	6	6	6	6	6	6	6	Outer Tub A,B	
		XTWAXW6518J		3	3	3	3	3	3	3	3	3	3	3	3	3	3	3	3	Geared Motor
		XTWAXW531		2	2	2	2	2	2	2	2	2	2	2	2	2	2	2	2	Outer Tub A,B--Center

9.7 Parts Exploded View : Packing



9.8 Replacement Parts List : Packing of NA-F70T1 / NA-F70T1P / NA-F70H1 / NA-F821H

Parts List

Ref. No.	Part Name	Part No.	Safety	Model																Remark						
				F70T1	F70T1P	F70H1	F821H	Viet	Mal	Sin-Lo	India	Sin-Ex	Fiji	UAE (ONE)	Oman	Qatar	UAE (PGF)	Thal	Phi		Tahiti	Kuw	Indo			
1	Protection Case A	AXW90017GA50		●	●			1	1	1	1	1	1	1	1	1	1	1	1	1	1	1				
		AXW90017GA00				●	●																			
2	Corner Cushion	AXW90156UP20		●	●	●	●	1	1	1	1	1	1	1	1	1	1	1	1	1	1	1	1	Front Side		
		AXW90156UP50		●	●	●	●	1	1	1	1	1	1	1	1	1	1	1	1	1	1	1	1	1	Back Side	
3	Corner Pad	AXW90166ZV00		●	●	●	●	2	2	2	2	2	2	2	2	2	2	2	2	2	2	2	2			
4	Protection Case B Unit	AXW090B7ED00		●	●	●	●	1	1	1	1	1	1	1	1	1	1	1	1	1	1	1	1			
5	Polyethylene Cover	AXW90606UP10		●	●	●	●	1	1	1	1	1	1	1	1	1	1	1	1	1	1	1	1			
6	Operating Instruction	AXW99017GBP0		●												1	1	1								
		AXW99017GB50		●				1	1	1	1	1	1													
		AXW99017GBK0		●				1																		
		AXW99017GC00			●														1	1	1	1	1			
		AXW90017GA00				●													1							
		AXW90017GA50				●			1	1	1	1								1	1					
		AXW90017HW00					●																	1		
		AXW90017GAK0					●			1																
		AXW90017GAP0					●							1	1	1	1							1		
7	Spin Tub Supporter	AXW90857BR00		●	●	●	●	1	1	1	1	1	1	1	1	1	1	1	1	1	1	1	1			
8	Accessory Bag	AXW90576UP10		●	●	●	●	1	1	1	1	1	1	1	1	1	1	1	1	1	1	1	1			
9	Body Cover	AXW90047BR00		●	●	●	●	1	1	1	1	1	1	1	1	1	1	1	1	1	1	1	1			
10	Stock Card	AXW99187GBP0		●												1	1	1								
		AXW99187GBK0		●				1																		
		AXW99187GB50		●					1																	
		AXW99187GBA0		●						1	1															
		AXW99187GBE0		●								1	1													
		AXW99187GC00			●															1	1	1				
		AXW99187GC50			●																			1		
		AXW99187GA50			●															1						
		AXW99187GA00				●														1						
		AXW99187HW00					●																	1		
		AXW99187GAK0					●		1																	
		AXW99187GAA0					●				1	1														
		AXW99187GAE0					●						1	1												
		AXW99187GAF0					●													1	1					
		AXW99187GAP0					●							1	1	1								1		
		AXW99187GAS0					●											1								
		11	Case Plate A	AXW91187GA00				●		1		1	1	1	1	1	1	1	1	1	1	1	1	1	1	
AXW91187GB00				●				1	1	1	1	1	1	1	1	1	1									
AXW91187HW00							●																	1		
AXW91187GC00					●								1	1		1	1						1			

DETAIL CHANGE NOTICE

REVISION	ITEM NO.	PAGE	DETAIL	REMARK
NOV. 2011	1	21	ADD. PICTURE OF HOSE BAND	AT DRAIN HOSE UNIT
	2	22	REVISE PART NO. OF HOSE BAND	AT REF. NO. B13 FOR F70T1P
	3	24	CANCEL PARTS WHICH REPEAT	AT FLEXIBLE HOSE B UNIT AND HOSE BAND
	4	25	CANCEL INTERNAL EARTH IN C19	MADE IT MISTAKE