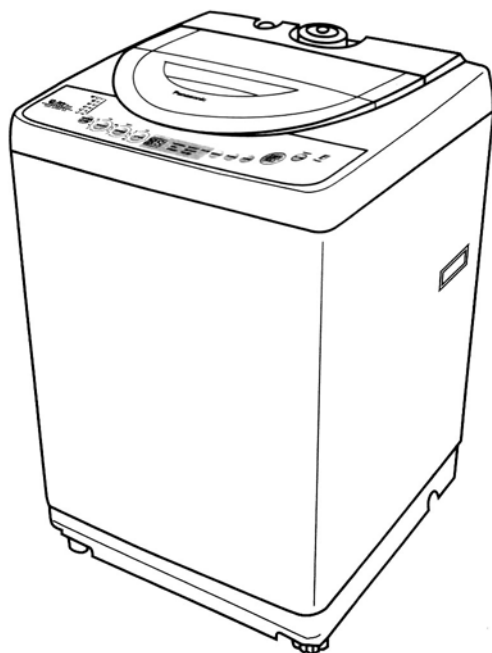
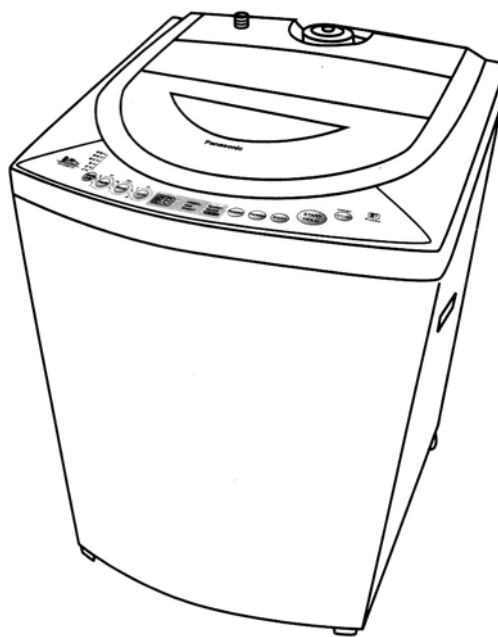


Service Manual

Washing Machine
NA-F70GS/NA-F850GS
NA-F90GS



NA-F70GS / NA-F850GS



NA-F90GS


CONTENTS

| | Page | | Page |
|---|------|-----------------------------------|------|
| SPECIFICATIONS | 2 | WIRING DIAGRAM | 12 |
| NEW ERA WASHING MACHINE | 3 | LOCATION OF PARTS - A | 13 |
| FUZZY SENSOR CONTROL | 4 | REPLACEMENT PARTS LIST - A | 14 |
| OPERATIONS (NA-F70GS/NA-F850GS) | 5 | LOCATION OF PARTS - B | 15 |
| OPERATIONS (NA-F90GS) | 6 | REPLACEMENT PARTS LIST - B | 16 |
| TROUBLESHOOTING GUIDE | 7-8 | LOCATION OF PARTS - C | 17 |
| DISASSEMBLY INSTRUCTION AND ADJUSTMENTS | 9-11 | REPLACEMENT PARTS LIST - C | 18 |
| | | PACKING INSTRUCTIONS & LIST | 19 |

WARNING

This service information is designed for experienced repair technicians only and is not designed for use by the general public. It does not contain warnings or cautions to advise non-technical individuals of potential dangers in attempting to service a product. Products powered by electricity should be serviced or repaired only by experienced professional technicians. Any attempt to service or repair the product or products dealt with in this service information by anyone else could result in serious injury or death.

IMPORTANT SAFETY NOTICE

There are special components used in this equipment which are important for safety. These parts are marked by  in the Schematic Diagrams, Circuit Board Diagrams, Exploded Views and Replacement Parts List. It is essential that these critical parts should be replaced with manufacturer's specified parts to prevent shock, fire or other hazards. Do not modify the original design without permission of manufacturer.

Panasonic

© 2003 Matsushita Electric Co., (M) Bhd. All rights reserved. Unauthorized copying and distribution is a violation of law. (Company No. 6100K)

SPECIFICATION

MODEL : NA-F70GS/NA-F850GS

| | | | | | | |
|---|---------------------|--------|--------|------------------------------|--------------------------------|--------|
| Power Source | AC220V | AC230V | AC240V | Power Consumption (Motor) | Input | Output |
| | 50Hz/60hZ | | | | 320W | 115W |
| Dimension | Width | Depth | Height | Safety Switch | Lid and Unbalance Switch | |
| | 580mm | 599mm | 970mm | Buzzer | CycleEnd Buzzer, Give an alarm | |
| Standardized Water Consumption (Normal) | 155 liters | | | Thermal Protector | Motor | |
| Operating Water | 0.3 ~ 10kgf/cm | | | Rinse Case | o | |
| Pressure | (8 ~ 25 liters/min) | | | Softener Dispenser | o | |
| Pulsators (r.p.m) | 125 r.p.m | | | Bleach Unit | o | |
| Spin (r.p.m) | 780 r.p.m | | | Lint Filter | o | |
| Machine Weight | 35 kg | | | Auto Power Off | o | |
| Colour | Silver | | | Accessories | Pressure Hose | |
| | | | | | Feed Valve Joint A Unit | |
| | | | | Wash Board | | |
| | | | | Service Hose B Unit (0.8m) | | |
| | | | | Anti-Rat Protection Base | | |

MODEL : NA-F90GS

| | | | | | | |
|---|---------------------|--------|--------|------------------------------|--------------------------------|--------|
| Power Source | AC220V | AC230V | AC240V | Power Consumption (Motor) | Input | Output |
| | 50Hz/60hZ | | | | 320W | 167W |
| Dimension | Width | Depth | Height | | Lid and Unbalance Switch | |
| | 622mm | 596mm | 1010mm | Buzzer | CycleEnd Buzzer, Give an alarm | |
| Standardized Water Consumption (Normal) | 177 liters | | | Thermal Protector | Motor | |
| Operating Water | 0.3 ~ 10kgf/cm | | | Rinse Case | o | |
| Pressure | (8 ~ 25 liters/min) | | | Softener Dispenser | o | |
| Pulsators (r.p.m) | 125 r.p.m | | | Bleach Unit | o | |
| Spin (r.p.m) | 750 r.p.m | | | Lint Filter | o | |
| Machine Weight | 48 kg | | | Auto Power Off | o | |
| Colour | Silver | | | Accessories | Pressure Hose | |
| | | | | | Feed Valve Joint A Unit | |
| | | | | Wash Board | | |
| | | | | Service Hose B Unit (0.8m) | | |
| | | | | Anti-Rat Protection Base | | |

Standard Water Volume (Model : NA-F70GS/NA-F850GS)

| Water Level | Water only | Cloth Load | |
|----------------|------------|------------|-----|
| High | 56L | 7.0k.g | 51L |
| <High Lower> | 53L | 5.0k.g | 48L |
| Medium | 45L | 3.5k.g | 41L |
| <medium Lower> | 41L | 2.7k.g | 38L |
| Low 1 | 35L | 2.0k.g | 33L |
| <Low 1 Lower> | 32L | 1.5k.g | 30L |
| Low 2 | 25L | 1.0k.g | 24L |
| <low 2 Lower> | 22L | 0.7k.g | 21L |
| Low 3 | 18L | 0.5k.g | 18L |
| <Low 3 Lower> | 16L | 0.3k.g | 16L |

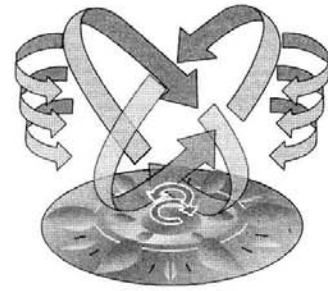
Standard Water Volume (Model : NA-F90GS)

| Water Level | Water only | Cloth Load |
|-------------|------------|------------|
| 66L | 74L | 66L |
| 62L | 69L | 62L |
| 57L | 62L | 57L |
| 53L | 58L | 53L |
| 49L | 52L | 49L |
| 45L | 48L | 45L |
| 40L | 42L | 40L |
| 35L | 38L | 35L |
| 30L | 32L | 30L |
| 16L | 16L | 16L |

NEW ERA WASHING MACHINE

Triple Pulsator

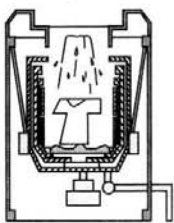
The triple power wave created by three pulsator system which will make the washing performance more efficient.



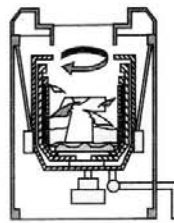
Tub Dry

To prevent fungus from growing at the outer tub area by performing 30 minutes spinning operation.

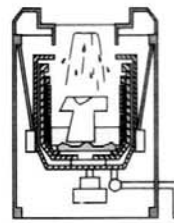
Super Cleaning Plus



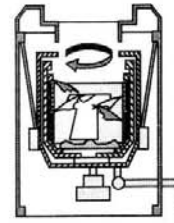
Supply water at lower water level.



Washing will operate to produce bubble in high concentration of detergent solution.



Water will be supplied again up to selected water level.



Washing will continue for effective washing result.

Double Cross Cascade

The powerful Double Cross Cascade circulates more water crosssectionally from top and bottom than conventional washing machines. In combination with a pulsator system, the detergent is dissolved more quickly that the laundry is cleaner than before.

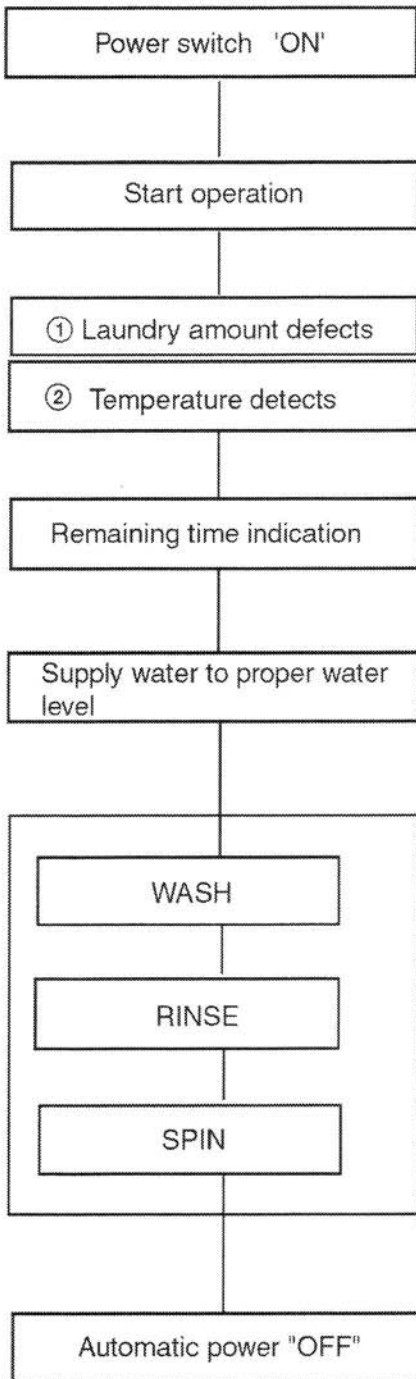


Mini Course

It is an economy course (short time) for small quantity laundry with 16L water level.

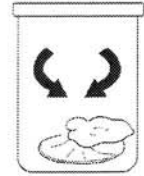
FUZZY SENSOR CONTROL

Control system based on fuzzy logic detects the amount of laundry and indicates the proper water level and recommended amount of detergent.

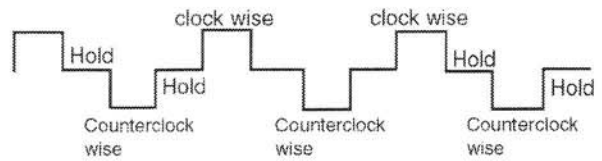


① Laundry amount defects and detergent volume Indicator.

<Detection method>
 Defect terminal voltage of the capacitor while operate pulsator without water in the tub.



(Motor' s conditions)



② Temperature detects

Atmospheric temperature at start of operation is detected incase atmospheric temperature is low, wash time and spin time are increased automatically, thereby , washability may obtain as same as high atmospheric temperature.

① Wash and spin time against laundry amount defects

| | High 3.5kg ~7.0kg | Medium 2.0kg ~3.5kg | Low-1 1.0kg ~2.0kg | Low-2 1.0kg | Low-3 0.5kg |
|-----------|-------------------------|---------------------------|--------------------------|----------------|----------------|
| Wash time | 12 min. | 12 min. | 12 min. | 9 min. | 6 min. |
| Spin time | 6 min. | 6 min. | 6 min. | 5 min. | 5 min. |

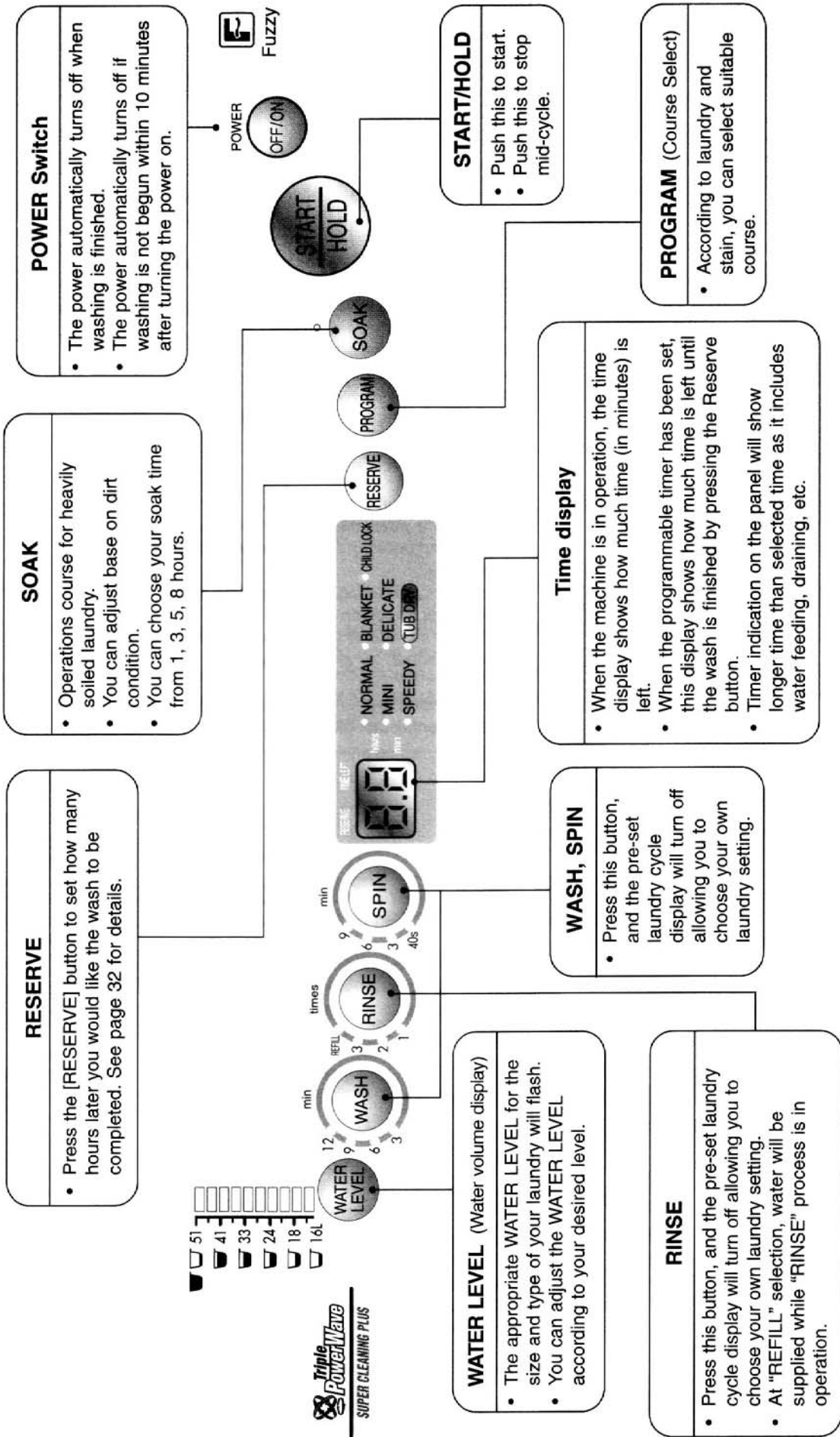
* Water level Low-3 has not detected with laundry amount defects system. If it is desired manually, wash time = . Spin time =5 min, are operated automatically

② Additional wash / spin time against temperature

| Atomospheric temperature | 25 C | 15 C | 5 C |
|--------------------------|---------|-----------|---------|
| Wash time | +0 min. | +1.5 min. | +3 min. |
| Spin time | +0 min. | +1 min. | +2. |

OPERATIONS (NA-F70GS/NA-F850GS)

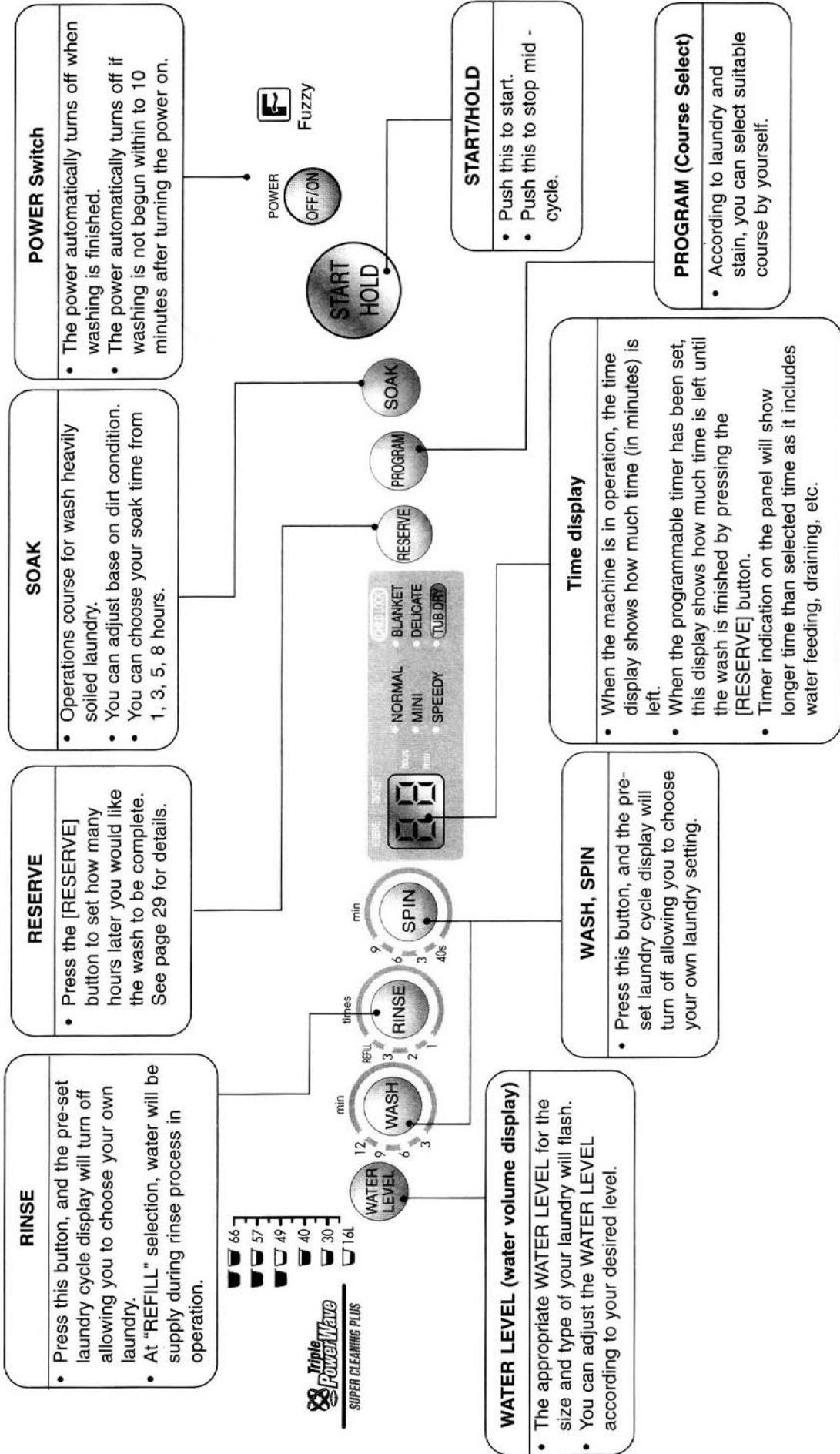
Fuzzy logic control is used to recommend the proper water level and amount of detergent for the amount of laundry being done.



Caution: If you need to change the settings after the cycle has already started, turn the power off and on it back.

OPERATIONS (NA-F90GS)

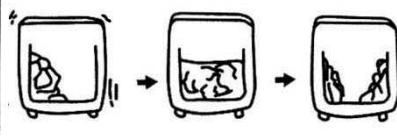
Fuzzy logic control is used to recommend the proper water level and amount of detergent for the amount of laundry being done.



Caution: If you need to change the settings after the cycle has already started, turn the power off and on it back.

TROUBLESHOOTING

The following symptoms are not malfunction.

| SYMPTOMS | CAUSES |
|--|--|
| 1. Tub begins filling in the middle of the wash. | <ul style="list-style-type: none"> When water level for some reasons is lower than the pre-set level, tub fills in automatically to that pre-set level. |
| 2. When water level is higher than usual for a specific | <ul style="list-style-type: none"> Laundry is wet or water is present in tub before wash is started. This will cause the unit to select a higher level than usual. |
| 3. Water level is lower than usual for a specific amount of laundry. | <ul style="list-style-type: none"> Laundry consist of light clothings. This causes the unit to select a lower level than usual. |
| 4. Midway during spinning, operation suddenly changes to rinsing. Water added- soak rinse Spin Spin  | <ul style="list-style-type: none"> If the laundry becomes unbalanced during spinning, the unit will automatically switch to rinse cycle to re-distribute the laundry evenly, and then perform spinning again. If the automatic correction is repeated 3 times the trouble indication will appear. |
| 5. Water not flow through lint filter and "Double Cross Cascade". | <ul style="list-style-type: none"> With the "DELICATE" course or when the water level is set to 16L or 30L, water sometimes will not flow through the lint filter and "Double Cross Cascade". |
| 6. During spinning, the laundry and the spinner rotates with regular movements. | <ul style="list-style-type: none"> To suppress soap suds build-up, the washing tub turns slowly and quickly. |
| 7. The buttons do not work. | <ul style="list-style-type: none"> During washing, after machine has started, only the water level button can be used to make changes. (NORMAL, SPEEDY, DELICATE - water level within above 30L ~ 49L.) If want to change the setting, press the POWER OFF and then ON back. |
| 8. If start with the Rinse cycle, the tub does not fill. | <ul style="list-style-type: none"> When there is water in the tub, the operation starts with the draining. After spin cycle finished, tub will be filled with water. |
| 9. Softener spills out from softener compartment. | <ul style="list-style-type: none"> Keep the level of the softener indicated to prevent the softener from flowing immediately. If you close the Softener Compartment forcefully, softener may spill out of the case. |

Before Requesting Service

| SYMPTOMS | POINT TO CHECK |
|----------------------------|--|
| Doesn't run at all. | <ul style="list-style-type: none"> Check if there is power failure. Check if the power fuse has been blown or the breaker is actuating. Check if the power plug is plugged in thoroughly. Has the water faucet been turned on? Check if the "Start/Hold" button has been pressed. Has the machine been programmed? |
| Water is not supplied. | <ul style="list-style-type: none"> Has the water faucet been turned on? Is the water supply cut off? Check if the connection of the water supply hose is clogged with dirt. |
| Softener doesn't come out. | <ul style="list-style-type: none"> Some types of softener do not flow easily when the water level is low. |

TROUBLESHOOTING

If the following indications appear on the display panel (buzzer sounds, or U and H Characters appear jointly)

| | |
|------|--|
| U 11 | <ul style="list-style-type: none">• Check if abnormalities listed below are seen in the external water hose.• Is the drain hose down?• Is it clogged with lint?• Is it crushed?• Is the tip soaked in water?• Is a part of the hose at a height of over 10cm midway?• Is the extension hose longer than 3m?• Is the hose being used too small? <p>Restart with opening and closing the lid.</p> |
| U 12 | <ul style="list-style-type: none">• Check if the lid is opened.• Close the lid. |
| U 13 | <ul style="list-style-type: none">• Is the washing machine in at unsteady position, or is it on an inclined floor surface?• Is the laundry unevenly distributed in the tub?• Arrange the laundry evenly in the tub, then close the lid. |
| U 14 | <ul style="list-style-type: none">• Check if you have forgotten to connect the water hose and turn on the faucet.• Is the water supply cut off? <p>Restart with opening and closing the lid.</p> |
| U 15 | <ul style="list-style-type: none">• Does the machine operation restart after you open and close the lid?• When "U15" has been shown many times, pull out the power plug and contact your dealer for service. |
| U 99 | <ul style="list-style-type: none">• Check if lid is opened when draining operation of the [CHILD LOCK] program is ON. |
| H 01 | <ul style="list-style-type: none">• In case of H displays such as "H01", with no buzzer sounds, pull out the power plug, and contact your dealer for service. |

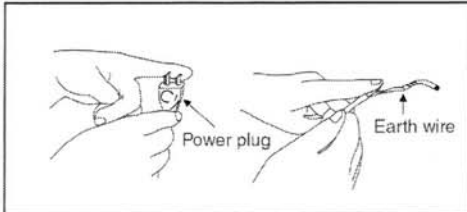
DISASSEMBLY INSTRUCTIONS AND ADJUSTMENTS

WARNING

BEFORE ATTEMPTING TO SERVICE OR ADJUST ANY PART OF THE MACHINE, DISCONNECT THE ELECTRICAL POWER SUPPLY FROM THE WALL OUTLET.

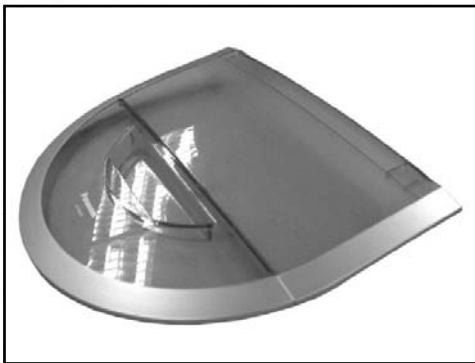
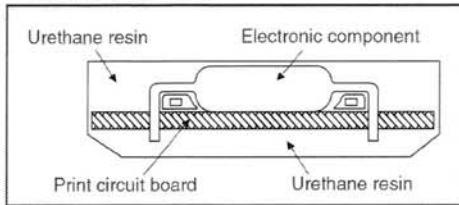
Caution to be observed when trouble shooting

1. Electronic components of the print circuit board is MOS TYPE FET. When replace and trouble shooting of the print circuit board, make sure body is grounded before beginning repair work. But, in case can not ground, touch to the plug and earth wire, and remove the potential difference between the set and body of the worker completely.



1. Print circuit board

- a. Print circuit board has been coated with urethane resin to improve moisture resistant. Therefore electronic components of the print circuit board can not replace and trouble shooting.
- b. When replace the P.C.Board, do not scratch the surface of the P.C.Board.



a. Open the lid.



b. Remove the Body B screw (2pcs)



c. Remove the Panel A screw (2pcs)



d. Push the Body B to front position as shown

NOTE

Hold the lead wire connectors properly, in case to assemble the P.C.Board w / components.



e. Remove screw mounting on the P.C. Board

f. Remove connectors from P.C. Board

g. Remove the lead wire holder

DISASSEMBLY INSTRUCTIONS AND ADJUSTMENTS

2. Water level detector, Safety switch. Feed valve replacement.



a. Remove 2 screws mounting the panel A.

*Do not lost the feed valve packing when removing the panel A.



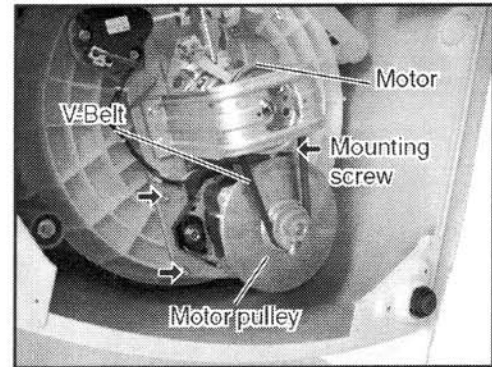
b. Panel A has been installed with screws and pawls. After remove 2 screws insert screw driver and pull up to remove side portions of panel A.



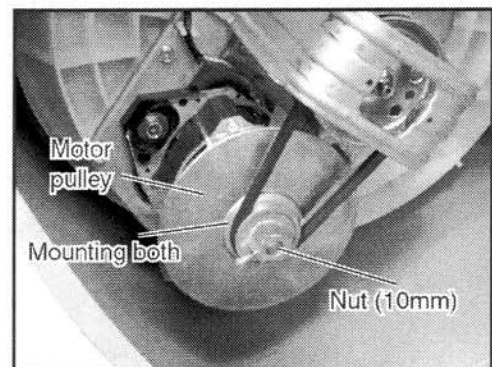
- Water level detector replacement
 - 3.Remove 2 pawls mounting the water level detector.
 - 4.Remove lead wire connector.
 - 5.Remove the air hose.
- Safety switch replacement
 - 3.Remove 2 screws mounting the safety switch.
 - 4.Remove lead wire connector.

- Feed valve replacement
 - 3.Remove 2 screws mounting the feed valve.
 - 4.Remove lead wire connector.
 - 5.Remove feed hose properly.

3. Motor replacement



- 1.Place the machine on its front side.
- 2.Remove lead wire connector from the motor.



- 3.Loose mounting screws and remove V-belt.
- 4.Remove screws mounting the motor and remove the motor.

NOTE:

After replace the motor, Adjust tension of the V-belt properly, then keep pressing both switches (water level, spin) and press the power switch to return initial mode.

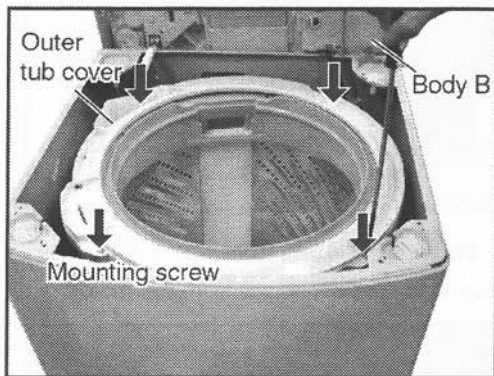
4. Mechanism case replacement

- 1.Remove 2 panel packing.
- 2.Remove 2 screws mounting the panel face A, and remove 2 screws mounting the body B.

DISASSEMBLY INSTRUCTIONS AND ADJUSTMENTS

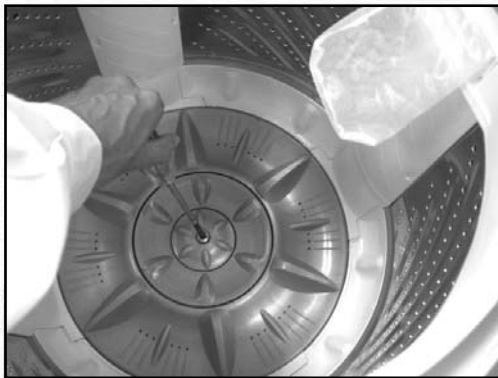


3.Remove 2 screws mounting the body B.



4.Rise up the body B against the wall as shown in figure.

5.Remove 4 screws mounting the outer tub cover.

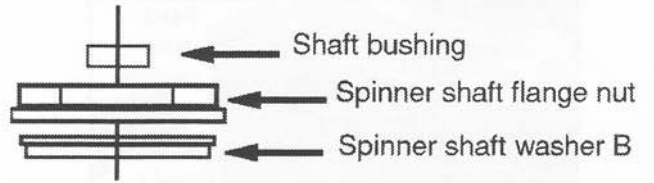


6.Remove a screw mounting the pulsator.

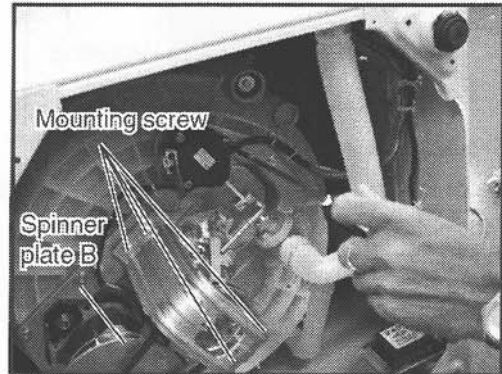
*Do not remove screw mounting the pulsator completely, and pull-up ward to remove.



7.Remove the spinner shaft flange nut by using nut remover HW-25K. And remove the spinner shaft washer B.



8.Pull-up the tub upward to remove.

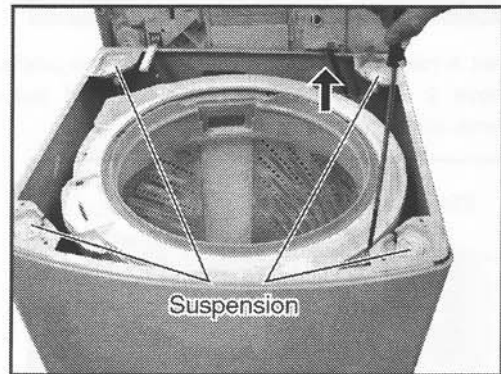


9.Place the machine on its front side

10.Remove 4 screws mounting the spinner plate B.

11.Remove 4 screws mounting the mechanism case.

5. Suspension replacement.



1.Open the lid and remove the panel A packing.

2.Remove 2 screws mounting the panel face A.

3.Remove 2 screws mounting the panel A.

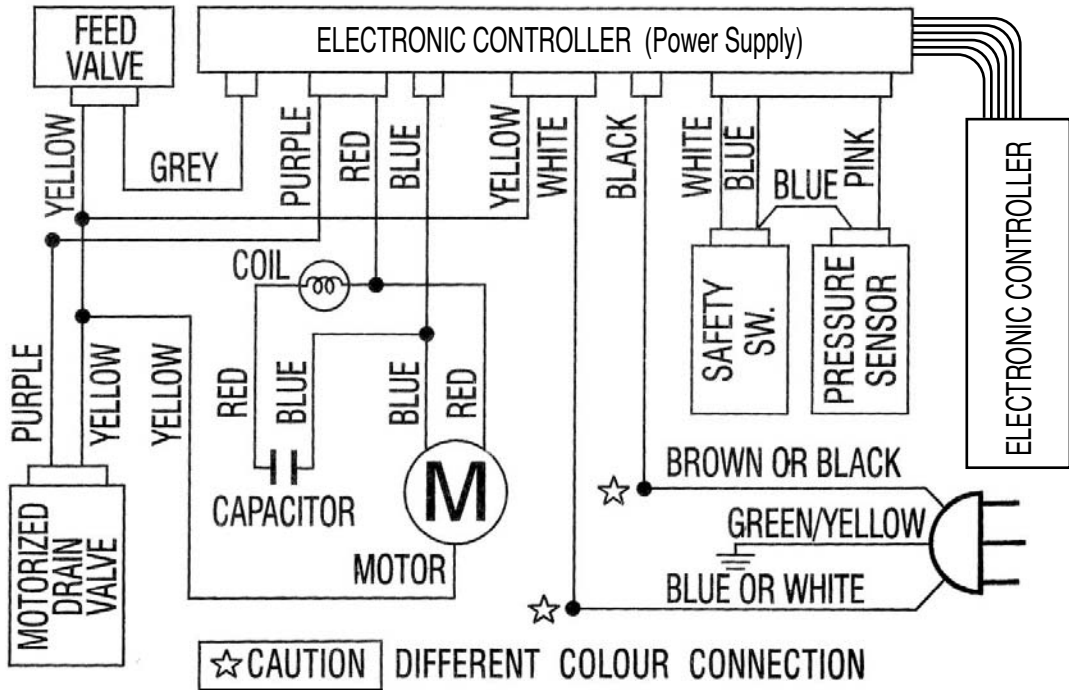
4.Rise up the body B against the wall.

5.Pull-up and remove the suspension from the body A.

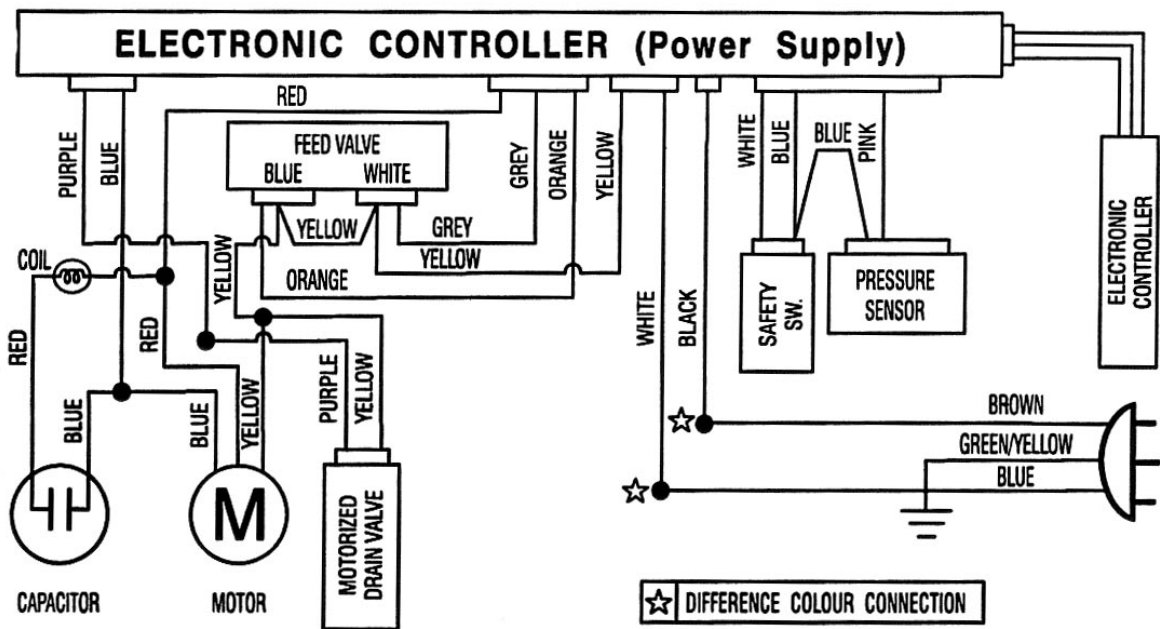
NOTE

Return the air hose to same as initial position.

WIRING DIAGRAM

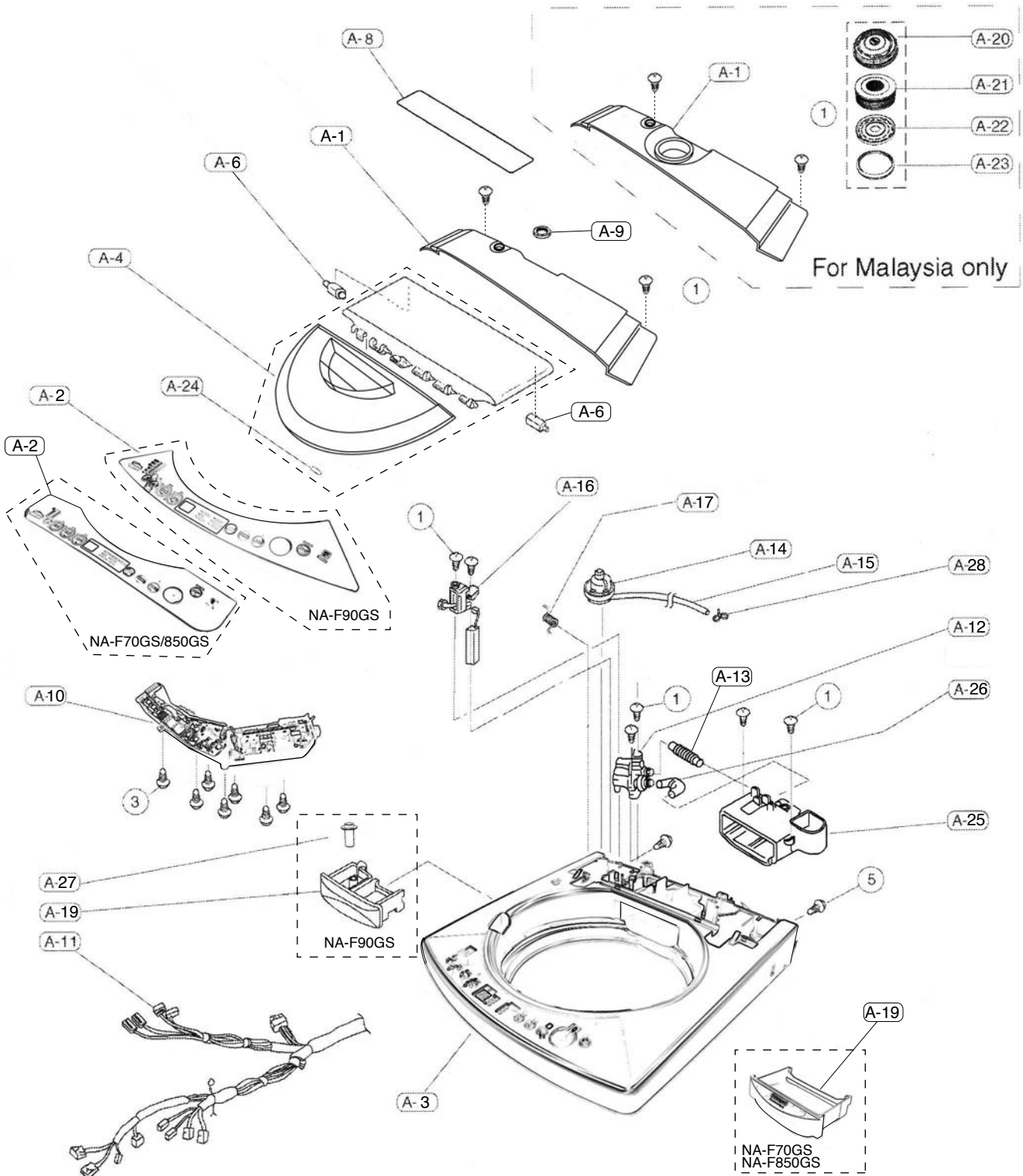


MODEL: NA-F70GS/NA-F850GS



MODEL: NA-F90GS

LOCATION OF PART LIST A



REPLACEMENT PARTS LIST A

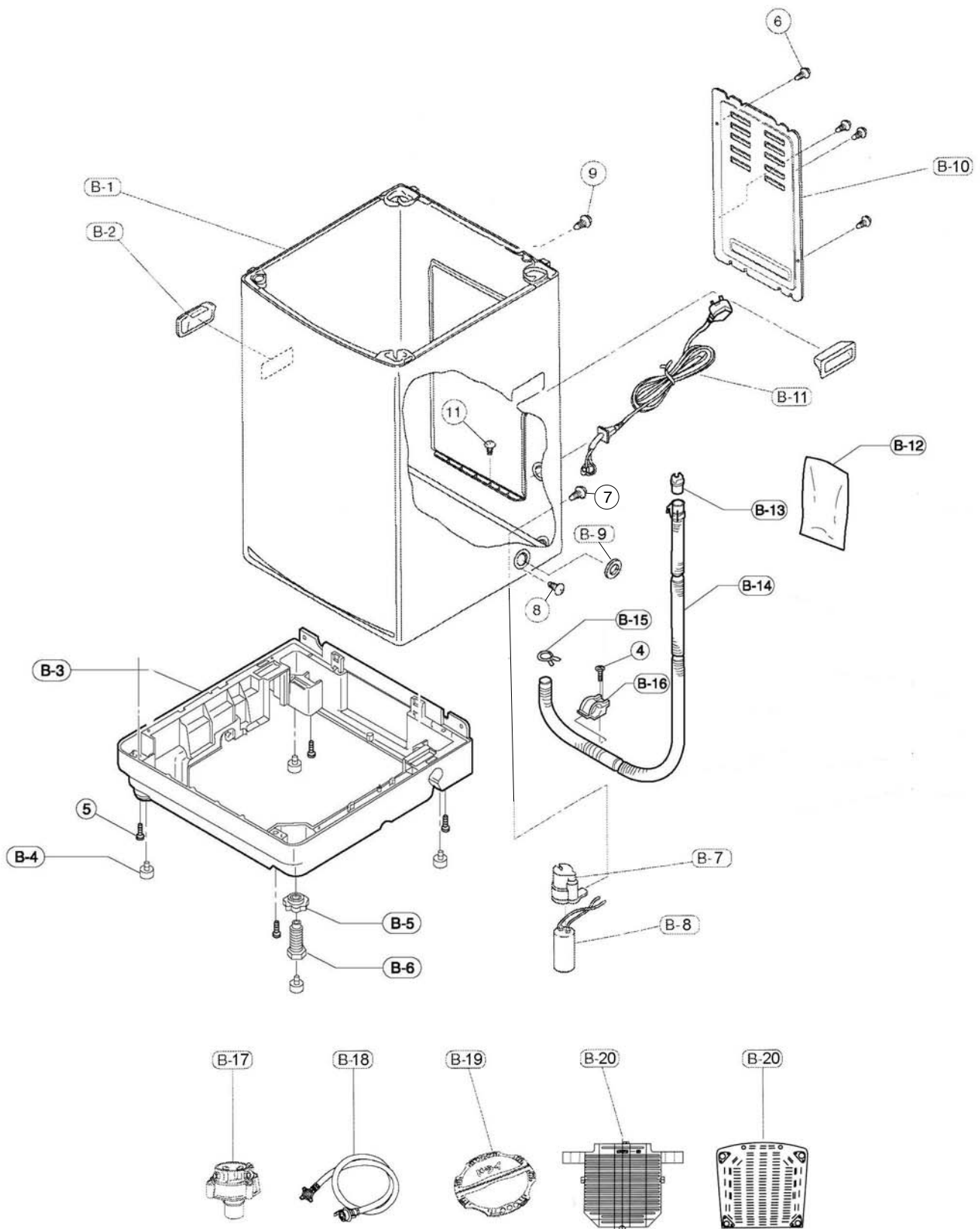
| Ref No | Part Name | Qty | NA-F70GS | NA-F70GS | NA-F850GS | NA-F90GS | NA-F90GS | Remarks |
|--------|--------------------------|-----|-----------------|--------------|--------------|---------------|---------------|--------------------------------|
| | | | M'SIA | EXP | INDONESIA | M'SIA | EXP | |
| | | | Model (set/pcs) | | | | | |
| A1 | Panel A | 1 | AXW01306NK0A | AXW01306NK5A | AXW01306NK5A | AXW01306ME0A | AXW01306ME0A | |
| (A2) | Panel Face B | 1 | AXW01466NK0A | - | - | AXW01466ME00A | AXW01466MF00A | |
| (A2) | Panel Face B | 1 | - | AXW01466NK5A | - | - | AXW01466MH00A | Thailand |
| (A2) | Panel Face B | 1 | - | AXW01466NK5A | AXW01466NKAA | - | AXW01466MF00A | Others |
| A3 | Body B | 1 | AXW01026NK0A | AXW01026NK0A | AXW01026NK0A | AXW01026ME0A | AXW01026ME0A | |
| A4 | Lid Unit | 1 | AXW001G6NK00 | - | AXW001G6NKRO | AXW001G6ME0A | - | |
| (A4) | Lid Unit | 1 | - | AXW001G6NK00 | - | - | AXW001G6ME0A | Vietnam,S'pore - Crystal Green |
| (A4) | Lid Unit | 1 | - | AXW001G6NK00 | - | - | AXW001G6ME0A | Thailand - Crystal Green |
| (A4) | Lid Unit | 1 | - | AXW001G6NK00 | - | - | AXW001G6ME0A | Others - Crystal Green |
| A5 | Lid Packing A | 2 | AXW016459UHY | AXW016459UHY | AXW016459UHY | AXW016459UHY | AXW016459UHY | Fresh Grey |
| A6 | Lid Hinge Shaft | 2 | AXW01936JZ00 | AXW01936JZ00 | AXW01936JZ00 | AXW01936JZ00 | AXW01936JZ00 | |
| A7 | Switch Operation Chart | 1 | AXW99086EW50 | AXW99086EW50 | AXW99086EW50 | AXW99086ME00 | AXW99086ME00 | Others |
| (A7) | Switch Operation Chart | 1 | - | AXW99086GJ00 | AXW99086GJ00 | - | AXW99086ME50 | Thailand |
| (A7) | Switch Operation Chart | 1 | - | AXW99086LM00 | - | - | - | S'pore,Vietnam |
| A8 | Spinner Lid Label | 1 | AXW1175WP00 | AXW1175WP00 | AXW1175WP00 | AXW11176KJ00 | AXW11176KJ00 | Others |
| (A8) | Spinner Lid Label | 1 | - | AXW11176BH00 | AXW11176BH00 | - | AXW11176BH00 | Thailand |
| (A8) | Spinner Lid Label | 1 | - | AXW11176LM00 | AXW11176LM00 | - | - | S'pore,Vietnam |
| A9 | Feeding Port Packing | 1 | AXW026739600 | AXW026739600 | AXW026739600 | AXW02675RU0M | AXW02675RU0M | |
| A10 | Controller Unit | 1 | AXW024C6NK06 | AXW024C6NKA6 | AXW024C6NKA6 | AXW024C6ME00 | AXW024C6ME00 | |
| A11 | Connector Lead Wire Unit | 1 | AXW014A6NK00 | - | - | AXW014A6ME00 | AXW014A6ME00 | |
| (A11) | Connector Lead Wire Unit | 1 | - | AXW014A6NK50 | AXW014A6NK50 | - | - | Thailand |
| A12 | Feed Valve | 1 | AXW292116966 | AXW292116966 | AXW292116966 | AXW292119306 | AXW292119306 | AC220V~240V |
| A13 | Feed Hose | 1 | AXW12606NK00 | AXW12606NK00 | AXW12606NK00 | AXW12606ME00 | AXW12606ME00 | |
| A14 | Pressure Sensor Unit | 1 | AXW024T02800 | AXW024T02800 | AXW024T02800 | AXW024T02800 | AXW024T02800 | |
| A15 | Sub Drain Hose Unit | 1 | AXW002Q6NK00 | AXW002Q6NK00 | AXW002Q6NK00 | AXW002Q6ME00 | AXW002Q6ME00 | |
| A16 | Safetv Switch | 1 | AXW166122900 | AXW166122900 | AXW166122900 | AXW166122900 | AXW166122900 | |
| A17 | Lid Hinge Spring | 1 | AXW11166NK00 | AXW11166NK00 | AXW11166NK00 | AXW11166ME00 | AXW11166ME00 | |
| A18 | Panel A Back Cover | 1 | - | - | - | - | - | |
| A19 | Deterqent Case B | 1 | AXW21516NK0A | AXW21516NK0A | AXW21516NK0A | AXW21516ME0A | AXW021B6ME50 | |
| A20 | Panel Face F | 1 | AXW01506KJ00 | - | - | AXW01506KJ00 | - | |
| A21 | Filter | 1 | AXW02156KJ00 | - | - | AXW02156KJ00 | - | |
| A22 | Window | 1 | AXW21056ME00 | - | - | AXW21056ME00 | - | |
| A23 | Jointing Gasket | 1 | AXW12926ME00 | - | - | AXW12926ME00 | - | |
| A24 | Maqnet | 1 | AXW119614900 | AXW119614900 | AXW119614900 | AXW119614900 | AXW119614900 | |
| A25 | Deterqent Case A | 1 | AXW21506NK00 | AXW21506NK00 | AXW21506NK00 | AXW21506ME00 | AXW21506ME50 | |
| A26 | Feed Hose | 1 | - | - | - | AXW12606ME50 | AXW12606ME50 | |
| A27 | Deterqent Case Lid | 1 | - | - | - | AXW21926ME0A | AXW21926ME0A | |
| A28 | Hose Band | 2 | AXW02456KJ00 | AXW02456KJ00 | AXW02456KJ00 | AXW02456KJ00 | AXW02456KJ00 | |

SMALL STANDARDIZED PARTS

| Ref No | Part Name | Qty | NA-F70GS | NA-F70GS | NA-F850GS | NA-F90GS | NA-F90GS | Remarks |
|--------|-----------------------|-----|-----------------|------------|------------|------------|------------|------------|
| | | | M'SIA | EXP | INDONESIA | M'SIA | EXP | |
| | | | Model (set/pcs) | | | | | |
| 1 | Special Tapping Screw | 2 | XTWAXW0417 | XTWAXW0417 | XTWAXW0417 | XTWAXW0417 | XTWAXW0417 | for Body B |
| 2 | Binding Tapping Screw | 9 | XTB4+15BFE | XTB4+15BFE | XTB4+15BFE | XTB4+15BFE | XTB4+15BFE | |

Indication : Silver

LOCATION OF PART LIST B



REPLACEMENT PARTS LIST B

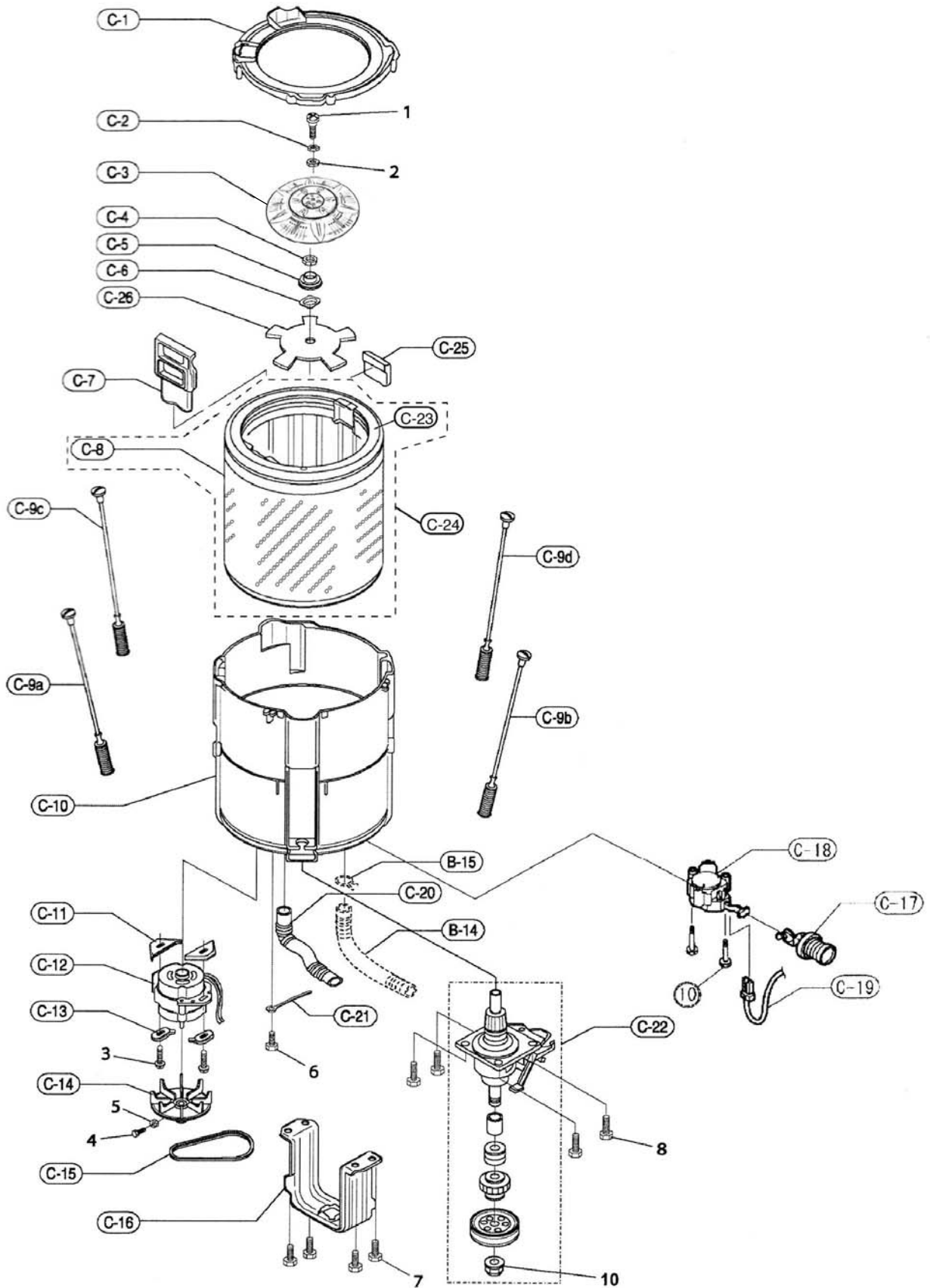
| Ref No | Part Name | Qty | NA-F70GS | NA-F70GS | NA-F850GS | NA-F90GS | NA-F90GS | Remarks |
|--------|-------------------------|-----|-----------------|--------------|--------------|--------------|--------------|---|
| | | | M'SIA | EXP | INDONESIA | M'SIA | EXP | |
| | | | Model (set/pcs) | | | | | |
| B1 | Body A Unit | 1 | AXW001A6NK00 | - | - | AXW001A6ME0A | - | M'sia,S'pore,Fiji,Mid.East 3 pin |
| B1 | Body A Unit | 1 | - | AXW001A6NK00 | AXW001A6NK00 | - | AXW001A6ME0A | Vietnam,Thailand,General,Phillipine,Tahiti,2 pin type |
| B2 | Grip | 2 | AXW01106FK00 | AXW01106FK00 | AXW01106FK00 | AXW01102323A | AXW01102323A | Silver |
| B3 | Base A | 1 | AXW03016LL50 | AXW03016LL50 | AXW03016LL50 | - | - | Silver |
| B4 | Leg Covering | 4 | AXW03396NU50 | AXW03396NU50 | AXW03396NU50 | AXW03396DA0M | AXW03396DA0M | Black |
| B5 | Adjustable Leg Thumb | 1 | AXW03436JZ00 | AXW03436JZ00 | AXW03436JZ00 | AXW03435YW0M | AXW03435YW0M | |
| B6 | Adjustable Leg | 1 | AXW03356JZ00 | AXW03356JZ00 | AXW03356JZ00 | AXW03356BN0M | AXW03356BN0M | |
| B7 | Capacitor Cap | 1 | AXW04076FK00 | AXW04076FK00 | AXW04076FK00 | AXW04076FK00 | AXW04076FK00 | |
| (B8) | Capacitor Unit | 1 | AXW004C6LL00 | AXW004C6LL00 | AXW004C6LL00 | AXW004C6ME00 | AXW004C6ME00 | AC220V,230V,240V - 50Hz/60Hz (11µF) |
| B9 | Hose Hole Cover | 1 | - | - | - | AXW01282051A | AXW01282051A | |
| B10 | Back Panel | 1 | AXW01566JZ00 | AXW01566JZ00 | AXW01566JZ00 | AXW0156E0300 | AXW0156E0300 | Dark Grey |
| B11 | Power Cord Unit | 1 | AXW004A5WP10 | - | - | AXW004A5WP10 | - | Malaysia (S-3) |
| B11 | Power Cord Unit | 1 | - | AXW004A70204 | AXW004A70204 | - | AXW004A70204 | Vietnam,General, Indonesia, Tahiti, Mid East 2 pin type (C-2) |
| B11 | Power Cord Unit | 1 | - | AXW004A6FW10 | AXW004A6FW10 | - | AXW004A6FW10 | Thailand (C-2 + Earth) |
| B11 | Power Cord Unit | 1 | - | AXW004A6GH20 | AXW004A6GH20 | - | AXW004A6GH20 | Singapore (S-3) IEC |
| B11 | Power Cord Unit | 1 | - | AXW004A5WP10 | AXW004A5WP10 | - | AXW004A5WP10 | Middle East 3 pin (S-3) |
| B11 | Power Cord Unit | 1 | - | AXW004A72811 | AXW004A72811 | - | AXW004A72811 | Fiji (A-3) |
| B11 | Power Cord Unit | 1 | - | AXW004A78900 | AXW004A78900 | - | AXW004A78900 | Phillipine (A-2) |
| B12 | Chemical Cover | 1 | AXW04485TP10 | AXW04485TP10 | AXW04485TP10 | AXW04486JZ00 | AXW04486JZ00 | |
| B13 | Hose Holder A | 1 | AXW01206JZ00 | AXW01206JZ00 | AXW01206JZ00 | | | |
| B14 | Flexible Hose B Unit | 1 | AXW002E6NK0U | AXW002E6NK0U | AXW002E6NK0U | AXW002E6KJ0F | AXW002E6KJ0F | |
| B15 | Hose Clamp | 2 | AXW02456KJ00 | AXW02456KJ00 | AXW02456KJ00 | AXW024553201 | AXW024553201 | |
| B16 | Valve Frame A | 1 | AXW090156N00 | AXW090156N00 | AXW090156N00 | AXW09015NX10 | AXW09015NX10 | |
| B17 | Feed Valve Joint A Unit | 1 | AXW012H6365F | AXW012H6365F | AXW012H6365F | AXW012H6365F | AXW012H6365F | |
| B18 | Pressure Hose Unit | 1 | AXW012C6NT00 | AXW012C6NT00 | AXW012C6NT00 | AXW012C6CD00 | AXW012C6CD00 | 1.2m |
| B19 | Wash Board Unit | 1 | - | AXW002W6HX0D | AXW002W6HX0D | AXW002W5WT00 | AXW002W5WT00 | |
| B20 | Bottom Cover | 1 | AXW21586LL20 | AXW21586LL20 | AXW21586LL20 | AXW21586KJ00 | AXW21586KJ00 | Dark Grey |

SMALL STANDARDIZED PARTS

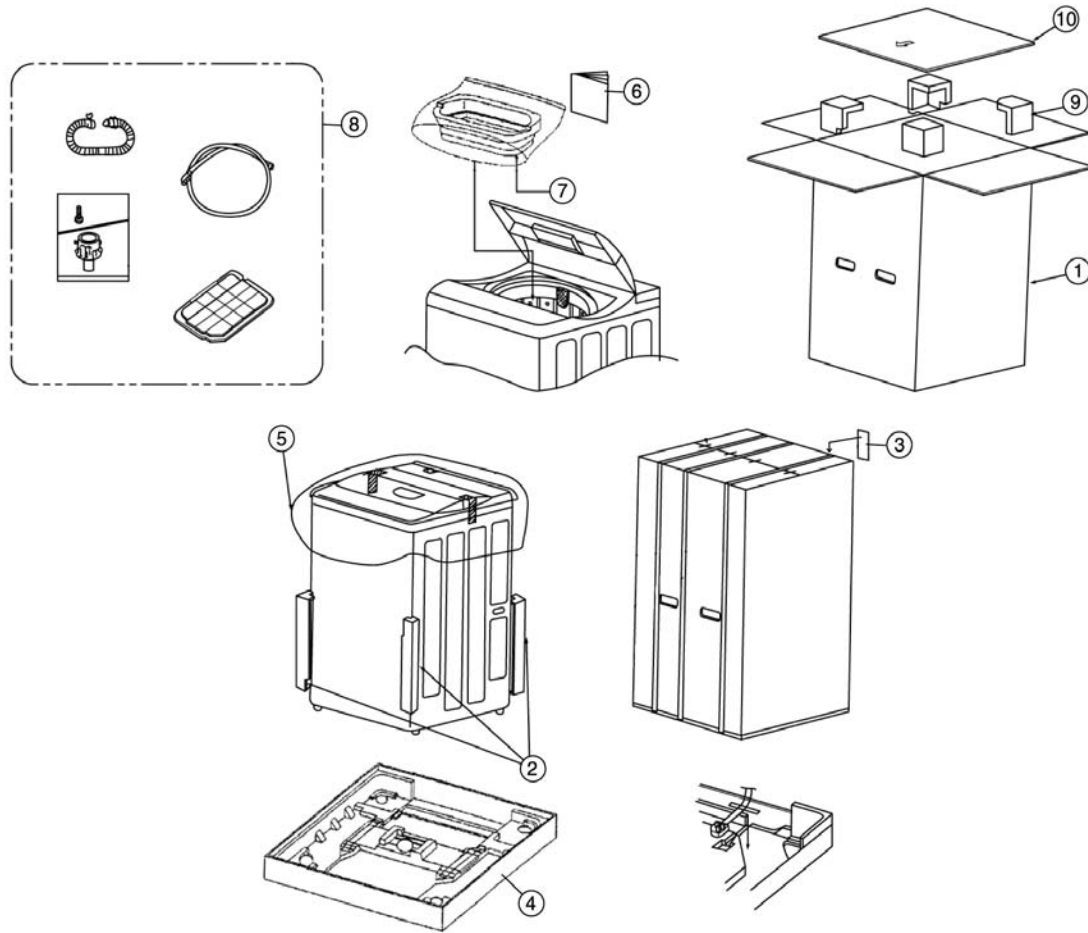
| Ref No | Part Name | Qty | NA-F70GS | NA-F70GS | NA-F850GS | NA-F90GS | NA-F90GS | Remarks |
|--------|-----------------------|-----|-----------------|------------|------------|------------|------------|--------------|
| | | | M'SIA | EXP | INDONESIA | M'SIA | EXP | |
| | | | Model (set/pcs) | | | | | |
| 1 | Pan Tapping Screw | 4 | XTN4+8H | XTN4+8H | XTN4+8H | XTN4+8H | XTN4+8H | Bottom Cover |
| 2 | Special Tapping Screw | 4 | XTBAXW403A | XTBAXW403A | XTBAXW403A | XTBAXW403A | XTBAXW403A | Back Panel |
| 3 | Binding Tapping Screw | 3 | XTB4+15BFE | XTB4+15BFE | XTB4+15BFE | XTB4+15BFE | XTB4+15BFE | Capacitor |
| 4 | Binding Tapping Screw | 1 | XTB4+20BFE | XTB4+20BFE | XTB4+20BFE | XTB4+20BFE | XTB4+20BFE | Valve Frame |
| 5 | Binding Tapping Screw | 4 | XTB4+12BFE | XTB4+12BFE | XTB4+12BFE | XTB4+12BFE | XTB4+12BFE | Base A |
| 6 | Pan Head Screw | 1 | XSN5+10BNS | XSN5+10BNS | XSN5+10BNS | XSN5+10BNS | XSN5+10BNS | Earth |

Indication : Silver

LOCATION OF PART LIST C



PACKING INSTRUCTIONS



PACKING LIST

| Ref No | Part Name | Qty | NA-F70GS | NA-F70GS | NA-F850GS | NA-F90GS | NA-F90GS | Remarks |
|-----------------|-----------------------|-------|--------------|--------------|--------------|--------------|--------------|--|
| | | | M'SIA | EXP | INDONESIA | M'SIA | EXP | |
| Model (set/pcs) | | | | | | | | |
| (1) | Protection Case A | 1 | AXW90016NK00 | - | AXW90016NKR0 | AXW90016ME00 | - | |
| (1) | Protection Case A | 1 | - | AXW90016NKA0 | - | - | AXW90016MH00 | Thailand |
| (1) | Protection Case A | 1 | - | AXW90016NKF0 | - | - | AXW90016MG00 | Vietnam,General,Fiji,N-Mark 2 pin type |
| (1) | Protection Case A | 1 | - | AXW90016NK50 | - | - | AXW90016MF00 | S'pore |
| (1) | Protection Case A | 1 | - | - | - | - | AXW90016MF50 | N-Mark 3 pin type |
| 2 | Corner Cushion | 2 | AXW90156NU50 | AXW90156NU50 | AXW90156NU50 | AXW92155NW0M | AXW92155NW0M | |
| (2) | Corner Cushion | 2 | AXW90156NK00 | AXW90156NK00 | AXW90156NK00 | AXW92157922M | AXW92157922M | |
| 3 | Stock Card | 1 | AXW99186EW00 | - | - | AXW99186EW00 | - | Others |
| (3) | Stock Card | 1 | - | - | AXW99186BI00 | - | - | Indonesia |
| 4 | Protection Case B | 1 | AXW90026NK00 | AXW90026NK00 | AXW90026NK00 | AXW90026KJ00 | AXW90026KJ00 | |
| 5 | Polvethlene Cover | 1 | AXW90608051M | AXW90608051M | AXW90608051M | AXW90608050M | AXW90608050M | |
| (6) | Opearting Instruction | 1 | - | AXW99016NKA0 | - | - | AXW99016MH00 | Thailand - English/Thai |
| (6) | Opearting Instruction | 1 | - | AXW99016NK50 | - | - | AXW99016MF00 | Others - English |
| (6) | Opearting Instruction | 1 | - | AXW99016NKF0 | - | - | AXW99016MG00 | Middle East - English/Arab |
| (6) | Opearting Instruction | 1 | AXW99016NK00 | - | - | AXW99016ME00 | - | M'sia - English/Malay |
| (6) | Opearting Instruction | 1 | - | - | AXW99016NKR0 | - | - | Indonesia-English |
| 7 | Spin Tub Supporter | 1 | AXW90856NK00 | AXW90856NK00 | AXW90856NK00 | AXW90856ME00 | AXW90856ME00 | |
| 8 | Accessories Bag | 1 | AXW905777030 | AXW905777030 | AXW905777030 | AXW90575VM0M | AXW90575VM0M | |
| 9 | Side Cushion | 1 set | AXW90046NK00 | AXW90046NK00 | AXW90046NK00 | AXW90046ME00 | AXW90046ME00 | |
| 10 | Lid Sheet | 1 | AXW90695RU0M | AXW90695RU0M | AXW90695RU0M | AXW90695RU0M | AXW90695RU0M | |