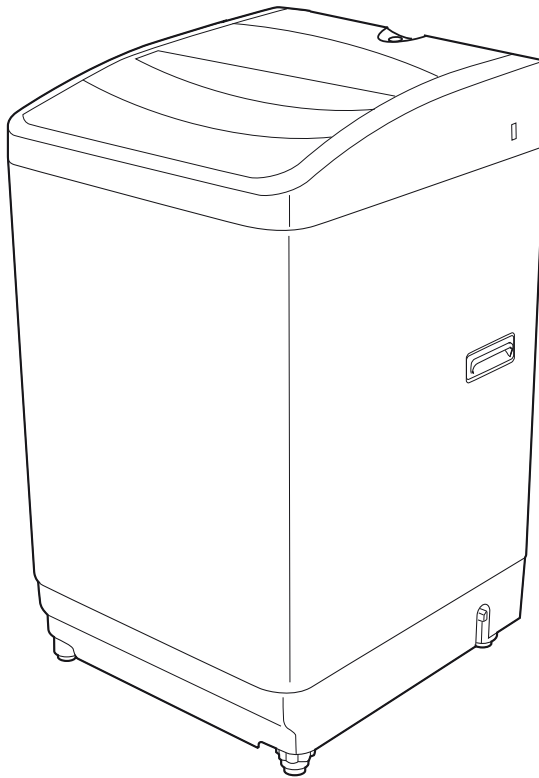


Service Manual

Fully Automatic Washing Machine



NA-F60A6
NA-F70A6
NA-F756A
NA-F70G6
NA-F70G6P
NA-F70X6
NA-F806X

Product Colour
Silver, Grey, White

Destination
Thailand, Indonesia, Singapore
Philippines, Malaysia, UAE, Oman
Kuwait, Qatar, Taiwan, Singapore (Exp.)

⚠ WARNING

The service information is designed for experienced repair technicians only and is not designed for use by the general public. It does not contain warnings or cautions to advise non-technical individuals of potential dangers in attempting to service a product. Products powered by electricity should be serviced or repaired only by experienced professional technicians. Any attempt to service or repair the product or products dealt within this service information by anyone else could result in serious injury or death.

IMPORTANT SAFETY NOTICE

There are special components used in this equipment which are important for safety. These parts are marked by **⚠** in the Schematic Diagrams, Circuit Board Diagrams, Exploded Views and Replacement Parts List. It is essential that these critical parts should be replaced with manufacturer's specified parts to prevent shock, fire or other hazards. Do not modify the original design without permission of manufacturer.

CONTENT

	Page
1. Attention in the Repair Work Security	3
2. Specification	4 - 5
3. Features and Technical Information	6 - 7
4. Installation	8 - 9
5. Operations Panel	10 - 11
6. Wiring Diagram	12
7. Table of Errors	13 - 15
8. Troubleshooting	16 - 18
9. Parts Exploded View and Replacement Parts List	
9.1 Parts Exploded View : A	19
9.2.1 Replacement Parts List : A for NA-F60A6	20
9.2.2 Replacement Parts List : A for NA-F70A6 / NA-F756A	21
9.2.3 Replacement Parts List : A for NA-F70G6 / NA-F70G6P	22
9.2.4 Replacement Parts List : A for NA-F70X6 / NA-F806X	23
9.3 Parts Exploded View : B	24
9.4.1 Replacement Parts List : B for NA-F60A6	25
9.4.2 Replacement Parts List : B for NA-F70A6 / NA-F756A	26
9.4.3 Replacement Parts List : B for NA-F70G6 / NA-F70G6P	27
9.4.4 Replacement Parts List : B for NA-F70X6 / NA-F806X	28
9.5 Parts Exploded View : C	29
9.6.1 Replacement Parts List : C for NA-F60A6	30
9.6.2 Replacement Parts List : C for NA-F70A6 / NA-F756A	31
9.6.3 Replacement Parts List : C for NA-F70G6 / NA-F70G6P	32
9.6.4 Replacement Parts List : C for NA-F70X6 / NA-F806X	33
9.7 Parts Exploded View : Packing	34
9.8.1 Replacement Parts List : Packing for NA-F60A6	35
9.8.1 Replacement Parts List : Packing for NA-F70A6 / NA-F756A	35
9.8.1 Replacement Parts List : Packing for NA-F70G6 / NA-F70G6P	36
9.8.1 Replacement Parts List : Packing for NA-F70X6 / NA-F806X	36

Usage : For repairs and change of spare part only for washing machine type Panasonic Model NA-F60A6 / NA-F70A6 / NA-F756A / NA-F70G6 / NA-F70G6P / NA-F70X6 / NA-F806X



Instructin for Usage : The work repair and changing of space part should be operated by a skilled technician from the distribution agents or Panasonic's Standard Service Center.

Warning : Switch off electrical power before commencing work to avoid a potential short circuit or injury.




1. ATTENTION IN THE REPAIR WORK SECURITY

In order to prevent any accident during repair work and ensure security of the product after repair work, somethings surely followed are explained below.

■ The level of the arised damages or dangers, when indicated contents are ignored, are classified by following indications and explained.

	Warning	The content in the column of this indication is "Be assumed that possibly die or get seriously injured".
	Attention	The content in the column of this indication is "Be assumed that possibly get damages or possibly only damaged object occurred".

■ Types of the contents being followed are classified by following figured symbols and explained. (The following is an example of expression in pictures.)


	This figured symbol means caution " Attention ".
	This figured symbol means must not do " Prohibition ".
	This figured symbol means surely execute " Instructions ".

Warning


Connection of cables should be done according to regular work.

- Connection of cables should be tightened reliably with strength using solderless terminal. (specified parts always using regular bonding plier)
- Install a fire protection cover (fireproof) covering connection area completely, and close opening area by tape. (Please reuse the fire protection cover which came with the product.)
- When drawing cables around, fixing those cables with cable suppression part. Do not touch rotating part, high temperature part and surface of metal.
- Be sure to replace with cable unit when any cable was snapped. When a part of the cable unit was cut you must not do the connection repair. It may be the cause of smoke, ignition or receiving an electric shock.



Be careful about receiving an electric shock.

 When doing electric connection service such as voltage measurement, please be careful enough about receiving an electric shock at electric charging parts and cable terminal parts.


Pull out electric plug when doing repair work.

 Disassembling, assembling and replacing parts should be done after pulling out electric plug. Receiving an electric shock or getting an injury may occur.


Be sure to use specified parts.

 Always use specified parts for the parts with mark  in the electric circuit diagrams and parts list. It may be the cause of smoke, ignition or damage.

Do not touch any rotating object with hand unless it stops completely.

 Slow rotation may also roll in your hands and cause injury.

Rebuilding is prohibited.


 Do not reguild machine parts and components when repairing service. It may be the cuase of damage or ignition.

Straightly pull out or insert in huasuton terminal.

 Do not twist it. It may be the cause of damage or ignition.

Attention

 **Please wear gloves when disassembling, replacing and assembling.**
Always wear gloves to prevent an injury by the metal end face or an electric shock at the time of the electricity service.

 **Please be careful to the edges of the metal end face.**
Wear the working clothes of long sleeves to prevent an injury by the metal end face or replase work after covering the end face with tape or towel.

2. SPECIFICATIONS

2.1 Specifications

MODEL		NA-F60A6	NA-F70A6	NA-F756A	NA-F70G6	NA-F70G6P	NA-F70X6	NA-F806X
Rate Voltage and Frequency	110V/60Hz	-	Taiwan	-	-	-	-	-
	220V/50Hz	Thailand Indonesia	Thailand Singapore (Exp.)	Indonesia	Thailand UAE (Exp.)	UAE (Exp.)	Thailand UAE (Exp.) Indonesia	Indonesia
	230V/50Hz	Singapore	Singapore	-	Singapore	-	Singapore	-
	230V/60Hz	Philippines	-	-	-	-	Philippines	-
	240V/50Hz	Malaysia MID East (UAE, Oman Kuwait, Qatar)	Malaysia	-	Malaysia	MID EAST (UAE-ONE Kuwait, Qatar)	Malaysia	Indonesia
Rate Power Consumption	110V/60Hz	-	420	420	-	-	-	-
	220V/50Hz	410	435	435	390	390	390	390
	230V/60Hz	420	-	-	-	-	430	430
	240V/50Hz	410	435	435	410	410	410	410
Standard Water Consumption		137 Liter	155 Liter					
Standard Capacity		6 Kgs	7 Kgs					
Water Supply Pressure		0.03 to 1 Mpa (0.3 to 10 Kg/cm ²)						
Outer Dimension		583 x 572 x 982 (mm)						
Weight		30 Kgs	33 Kgs					
Voltage (AC)		110V/60Hz : Taiwan						
		220V/50Hz : Thailand, Indonesia, Singapore (Exp.), UAE (Exp.)						
		230V/50Hz : Singapore						
		230V/60Hz : Philippines						
		240V/50Hz : Malaysia, MID EAST (UAE, Oman, Kuwait, Qatar)						
External Dimension		583 x 572 x 982 (mm)						
Water Consumption (Normal Program)		137 Liter	155 Liter					
Water Pressure		0.3 - 10 Kg/cm ² (8-25 liter/min)						
Pulsator (r.p.m.)		100 r/min	110 r/min					
Spin Tub (r.p.m.)		775 r/min						
Machine Weight		30 Kgs	33 Kgs					
Colour		Grey / White	Grey / White	Silver / White	White	Silver		
Motor Power		Input : 320W Output : 410W	Input : 320W Output : 435W					
Safety Switch		Checking unbalance / Tub lid						
Alarm		Rings when finishing washing or unusual						
Thermo Protector		Motor						
Water Inlet Hole		Yes						
Fabric Softener Dispenser		Yes						
Bleach Dispenser		No	Yes					
Filter		Yes						
Automatic Power-cut Switch		Yes						
Accessories		Inlet pipe (1.2 m), Tab joint, Drain pipe (80 cm), Rat prevention screen						

2.2 Standard Water Consumption

■ NA-F60A6

WASH LEVEL	WATER	CLOTHES WEIGHT	
High	53 Liters	6.0 Kgs	45 Liters
Medium	39 Liters	3.0 Kgs	35 Liters
Low	32 Liters	1.5 Kgs	30 Liters
Extra - Low	18 Liters	0.5 Kgs	16 Liters

■ NA-F70A6 / NA-F756A / NA-F70G6 / NA-F70G6P

WASH LEVEL	WATER	CLOTHES WEIGHT	
High	56 Liters	7.0 Kgs	51 Liters
Medium	45 Liters	3.5 Kgs	41 Liters
Low	32 Liters	1.5 Kgs	30 Liters
Extra - Low	18 Liters	0.5 Kgs	16 Liters

■ NA-F70X6 / NA-F806X

WASH LEVEL	WATER	CLOTHES WEIGHT	
High	74 Liters	9.0 Kgs	68 Liters
< High Lower >	69 Liters	6.0 Kgs	62 Liters
Medium	62 Liters	5.0 Kgs	57 Liters
< Medium Lower >	58 Liters	4.2 Kgs	53 Liters
Low	52 Liters	3.5 Kgs	49 Liters
< Lower 1 Lower >	48 Liters	2.5 Kgs	45 Liters
Low 2	42 Liters	1.5 Kgs	40 Liters
< Lower 2 Lower >	38 Liters	1.1 Kgs	35 Liters
Low 3	32 Liters	0.8 Kgs	30 Liters
< Lower 3 Lower >	16 Liters	0.3 Kgs	16 Liters

3. FEATURES AND TECHNICAL INFORMATION

3.1 Product special feature

■ NA-F60A6

Program	Time
Normal	Approx. 40 - 59 min
Speedy	Approx. 37 - 53 min
Delicate	Approx. 23 min
Tub Dry	Approx. 36 min
Soak 1 hour	Approx. 61 min
Soak 3 hour	Approx. 179 min
Soak 8 hour	Approx. 471 min

- Pre-wash weight sensor.
- Dial indicating detergent level after sensing wash level.
- Pre-set timer.
- Fabric softener dispenser.
- Detergent dispenser.
- Automatic power-off when finish.
- Dial indicating unusual sign (LED will blink).
- Overflow sensing device.
- Dial indicating time remaining.

■ NA-F70A6 / NA-F756A / NA-F70G6 / NA-F70G6P

Program	Time
Normal	Approx. 40 - 59 min
Speedy	Approx. 21 - 37 min
Delicate	Approx. 24 - 29 min
Tub Dry	Approx. 36 min
Soak 1 hour	Approx. 100 - 119 min
Soak 3 hour	Approx. 219 - 238 min
Soak 8 hour	Approx. 511 - 530 min

- Pre-wash weight sensor.
- Dial indicating detergent level after sensing wash level.
- Pre-set timer.
- Fabric softener dispenser.
- Detergent dispenser.
- Automatic power-off when finish.
- Dial indicating unusual sign (LED will blink).
- Overflow sensing device.
- Dial indicating time remaining.

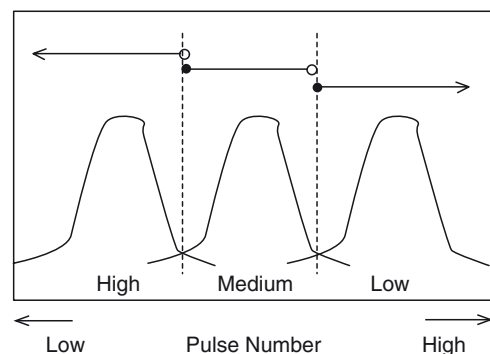
■ NA-F70X6 / NA-F806X

Program	Time
Normal	Approx. 46 - 60 min
Mini	Approx. 15 min
New Speedy	Approx. 37 - 53 min
Blanket	Approx. 47 - 55 min
Delicate	Approx. 23 min
Tub Hygiene	Approx. 150 min
Soak 1 hour	Approx. 61 min
Soak 3 hour	Approx. 179 min
Soak 8 hour	Approx. 471 min

- Pre-wash weight sensor.
- Dial indicating detergent level after sensing wash level.
- Pre-set timer.
- Fabric softener dispenser.
- Detergent dispenser.
- Automatic power-off when finish.
- Dial indicating unusual sign (LED will blink).
- Overflow sensing device.
- Dial indicating time remaining.

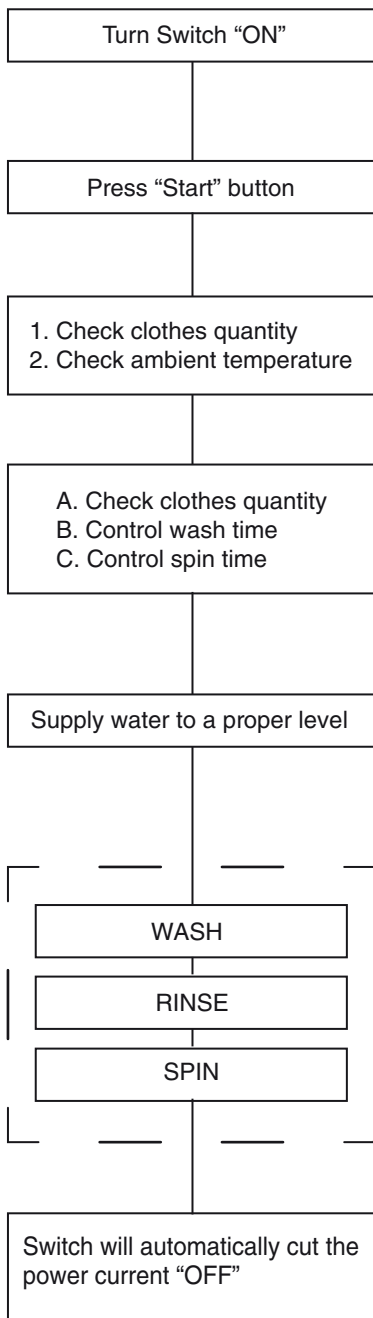
3.2 Weight sensor

The weight is sensed by the moving force of the Pulsator, which changes a capacitor pole and releases a signal wave. The wave is changed into a pulse number from which the clothes weight is sensed. Prior to weight sensing for Normal and Strong program, the machine runs without water by spinning the Pulsator to left and right for 4.2 seconds (ON 0.3 second - OFF 0.4 second). The motor stops (OFF), a water system counts the pulse number, then calculates the accumulated pulse numbers for drawing water into the tub over a defined level. The dial will indicate High wash level.



3.3 Function control with fuzzy sensor


Clothes quantity checking, wash level indication and detergent consumption indication with Fuzzy Logic System.



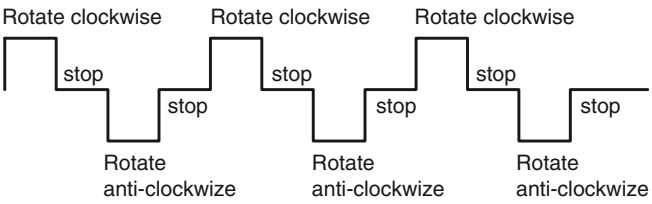
1. Check clothes quantity and specify the amount of detergent.

< Checking Method >

Check cross pressure at the capacitor while the Pulsator operates without water.



< Motor Status >



2. Temperature checking.

Check temperature in the atmosphere when the machine starts. In case of low temperature, wash timer and spin timer are extended automatically, so that washed clothes are as clean as washing in high temperature.

1. Wash timer and spin timer with checked clothes quantity.

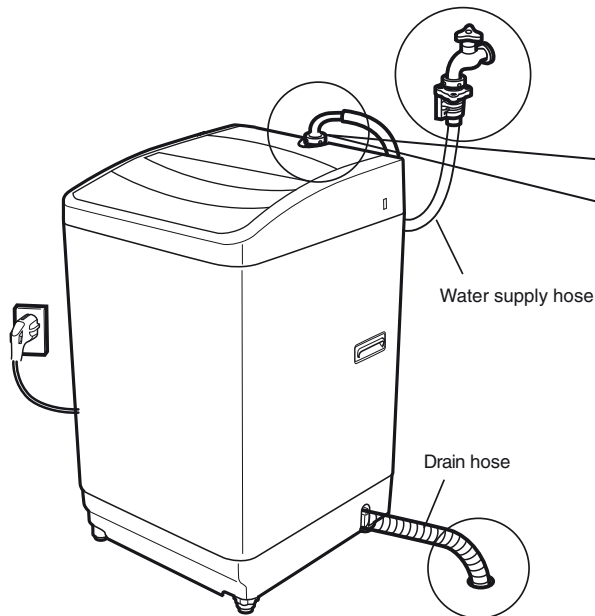
	High 3.0 Kg and more	Medium 1.2 Kg ~ 3.0 Kg	Low 0 Kg ~ 1.2 Kg
Wash Timer	12 min	12 min	9 min
Spin Timer	6 min	6 min	5 min

2. Additional wash timer and spin timer as temperature increases.

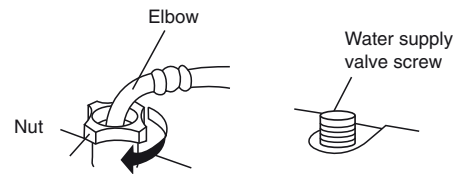
External Temp.	25°C	15°C	5°C	30°C
Wash Timer	+0 min	+2 min	+3 min	-1 min
Spin Timer	+0 min	+1 min	+2 min	+0 min

4. INSTALLATION

4.1 Checking of placement



Connect the water supply hose to the water supply valve screw.



1. Push the water supply hose nut straight onto the water supply valve screw.
2. Hold the elbow by lifting it up, screw the nut onto the water supply valve screw, and firmly tighten the nut.
3. After the nut is tightened, check whether or not the elbow is unsteady or loose.
4. After tightening, open the faucet to confirm that there is no water leakage.

[Cautions]

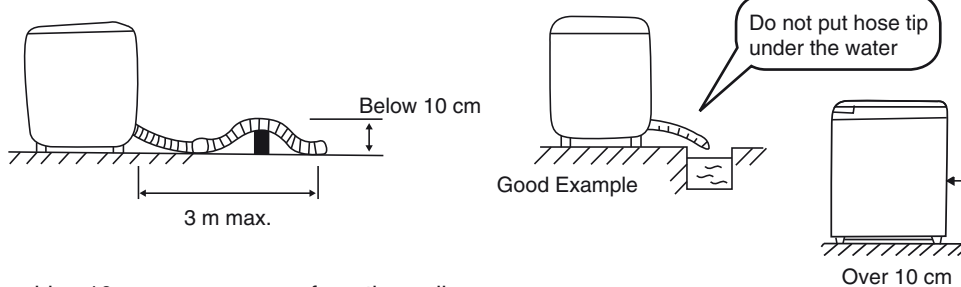
Firmly tighten the nut, otherwise water leakage will result.

Water Pressure Rating :

$2.9 \times 10^4 \sim 9.8 \times 10^5 \text{ Pa}$

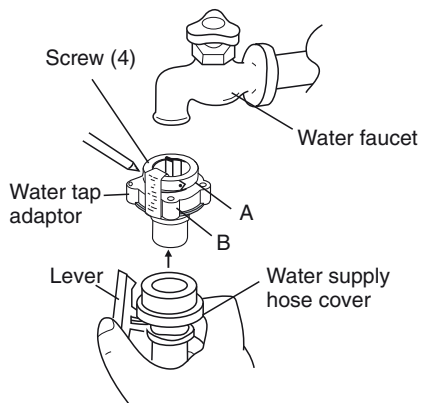
Hose extension

If extended external part is necessary when connecting the drain hose, the length of the drain hose should be less than 3 m and the height should be below 10 cm.



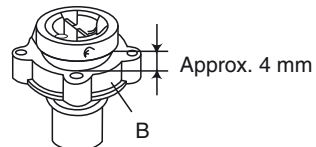
Install the machine 10 cm or more away from the wall.

4.2 Connect the water supply hose



[Note]

- Firmly tighten part B of the water tap adaptor, otherwise, water leakage will result.
- When the hose must be reinstalled (after you remove). For example, turn B to the left until about 4 min., of the thread becomes visible, then carry out the procedure described above.

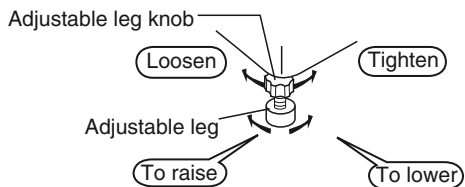


- If a water tap adaptor is already connected, replace with the attached new one.

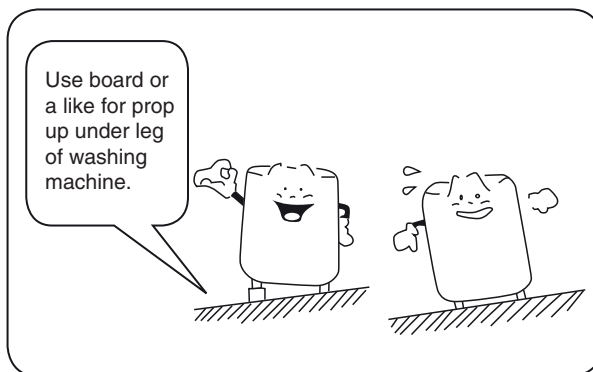
4.3 Install washing machine to steady

Adjust height of leg

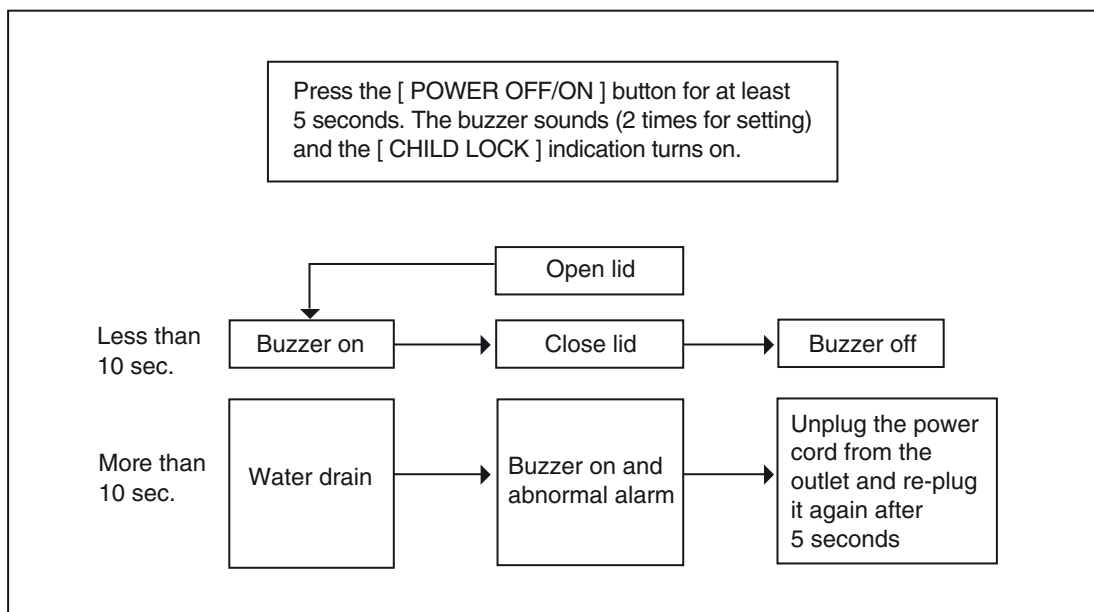
1. Turn the adjustable leg knob towards (Loosen) direction to loose it.
2. Turn the adjustable leg to adjust the levelness.
 - 2.1 When increasing height, turn adjustable leg towards (Loosen) direction.
 - 2.2 When decreasing height, turn adjustable leg towards (Tighten) direction.
3. Turn the adjustable leg knob towards (Tighten) direction to tighten it.



If the floor is largely inclined.

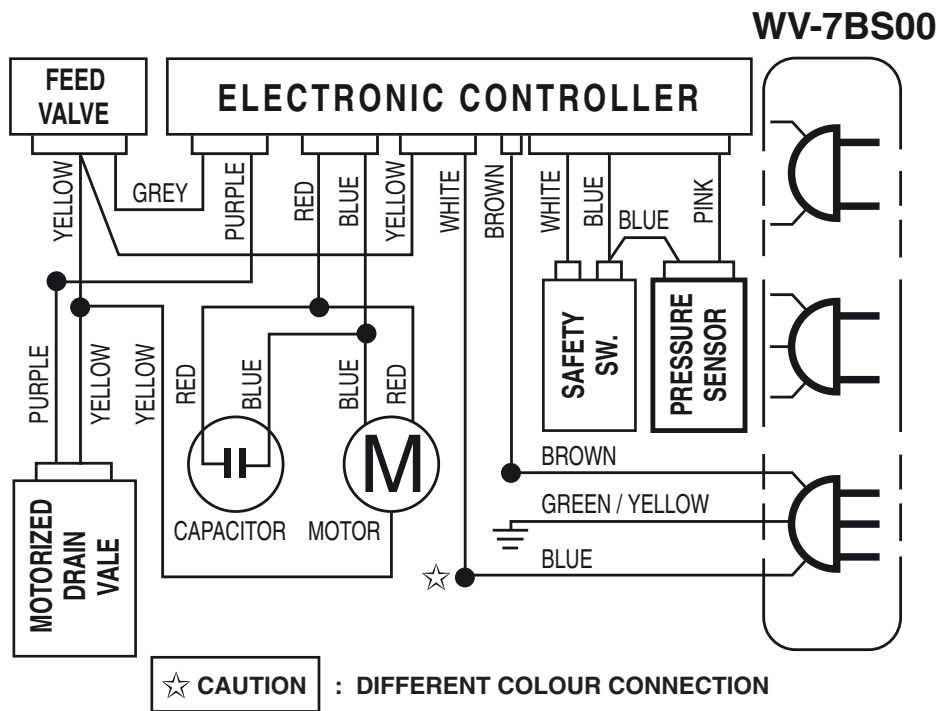


4.4 Child Lock program

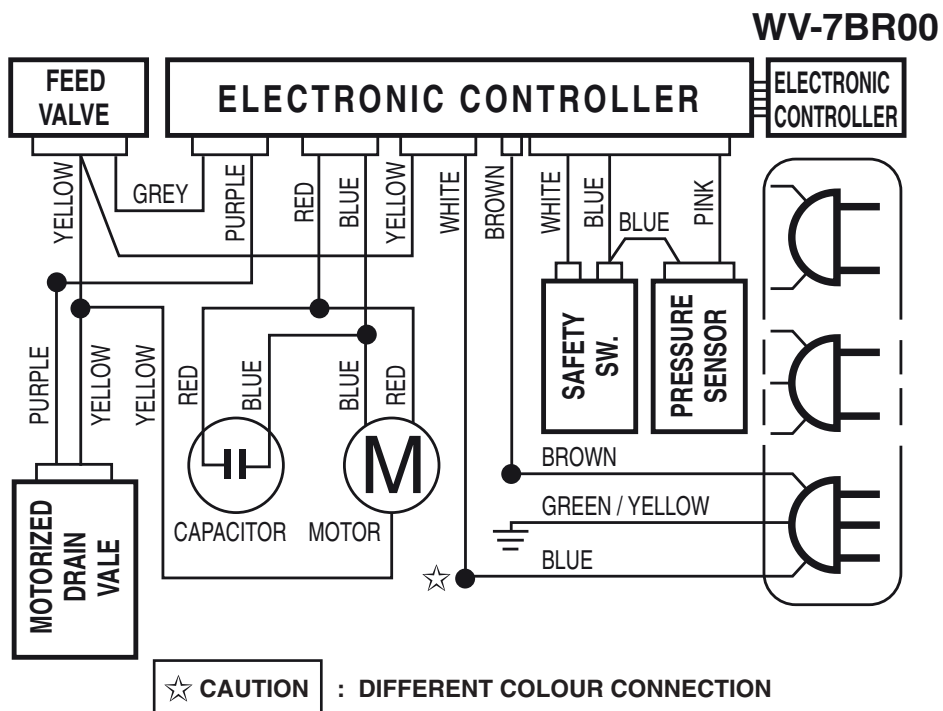


6. WIRING DIAGRAM

6.1 NA-F60A6 / NA-F70A6 / NA-F756A / NA-F70G6 / NA-F70G6P

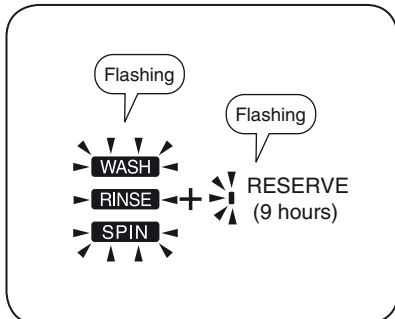


6.2 NA-F70X6 / NA-F806X



7. TABLE OF ERRORS

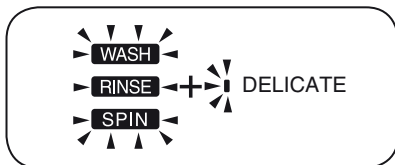
7.1 Case of buzzer alarm



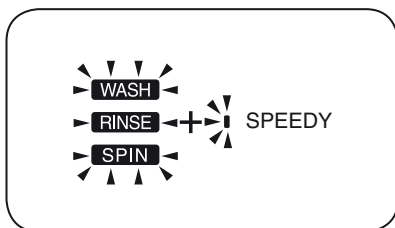
■ Check if abnormalities listed below are seen in the external water hose.

- Is the hose connected?
- Is it clogged with lint?
- Is it crushed?
- Is the tip soaked in water?
- Is a part of hose at a height of over 10cm midway?
- Is the extension hose longer than 3m?
- Is the hose lay down?

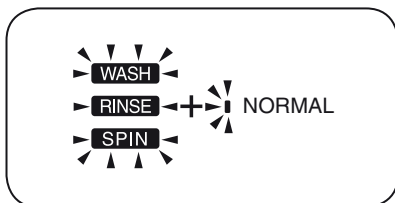
After open and close of the lid. Operation will restart.



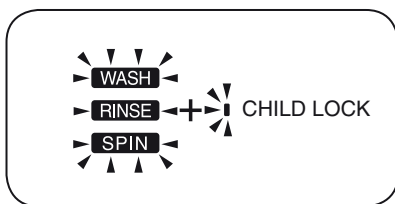
- Check if the lid is opened.
 - ➔ Close the lid.



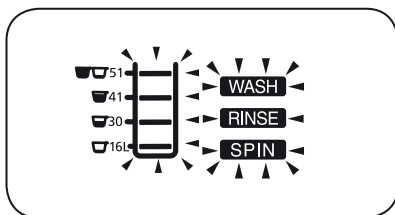
- Is the laundry unbalanced?
 - ➔ Even it out.
- The machine is rattling. Is it inclined toward the floor?
- Is the adjustable knob loose?
 - (Adjust the machine, so it does not jiggle, then tighten the adjustable knob)



- Check if you have forgotten to connect the water hose and to turn on the faucet.
- Check if the connection of the water supply hose is clogged with dirt. Please refer to "Maintenance" (Water supply hose filter)
- Check if the water supply failure.



- Check if the lid open more than 10 seconds after start of water feeding.
- [CHILD LOCK] mode will activated to force the water drain.
- Pull out power plug from the socket outlet and replug it after 5 seconds.
- Please refer to "[CHILD LOCK]" program.



- The buzzer does not sound.
- Pull out the power plug and request for service.

7.2 Error Indication

If the following indications appear on the display panel (buzzer sounds, U and H characters appear).

U11

- Check if abnormalities listed below are seen in the external water hose.
- Is the hose connected?
- Is it clogged with lint?
- Is it crushed?
- Is the tip soaked in water?
- Is a part of hose at a height of over 10cm midway?
- Is the extension hose longer than 3m?
- Is the hose being used too small?

Restart with opening and closing the lid.

U12

- Check if the lid is opened.
- Close the lid.

U13

- Is the washing machine is an unsteady position, or is it on an inclined floor surface?
- Is the laundry unevenly distributed in the tub?
- Arrange the laundry evenly in the tub, then close the lid.

U14

- Check if you have forgotten to connect the water hose and to turn on the faucet.
- Is the water supply cut off?

Restart with opening and closing the lid.

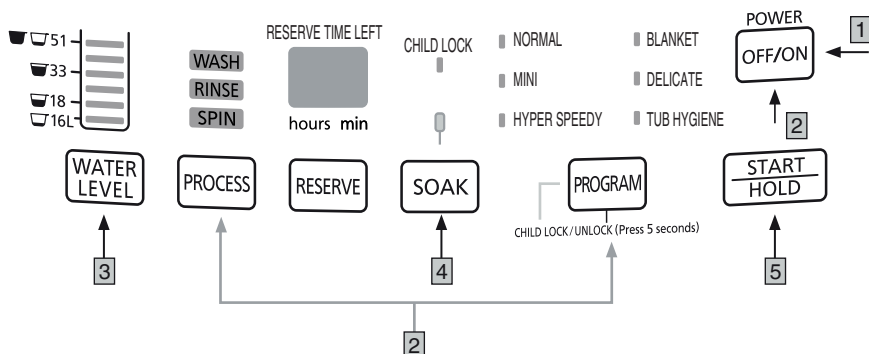
U99

- Check if lid is open when draining operation of the [CHILD LOCK] program is ON.

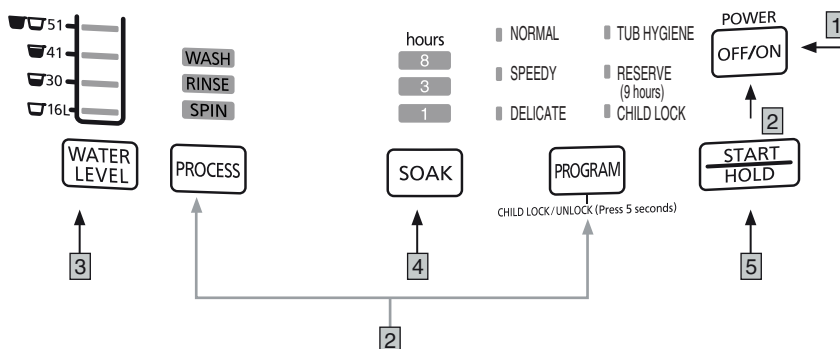
H01

- In case of H displays such as "H01", with no buzzer sounds pull out the power plug, and contact your dealer for service.

7.3 Setting after U11 happen NA-F70X6 / NA-F806X



1. Set to power switch to "OFF".
2. Press [PROCESS] + [PROGRAM] and POWER [OFF/ON] button 1 time.
3. Press [WATER LEVEL] button 3 times.
4. Press [SOAK] button 2 times (WATER LEVEL 6 mm. up).
Remark : Indication on LED from 3B to 39.
5. Press [START/HOLD] button 1 time.



1. Set to power switch to "OFF".
2. Press [PROCESS] + [PROGRAM] and POWER [OFF/ON] button 1 time.
3. Press [WATER LEVEL] button 3 times.
4. Press [SOAK] button 2 times (WATER LEVEL 6 mm. up).
Remark : After change light will be indicate on WASH and TUB HYGIENE.
5. Press [START/HOLD] button 1 time.

TAP	SOAK	PROCESS
1	3 mm. up	3 mm. down
2	6 mm. up	6 mm. down
3	9 mm. up	9 mm. down
4	12 mm. up	12 mm. down

Note : If water level is higher or lower, please adjust water level.

8. TROUBLESHOOTING

8.1 Table of troubleshooting

Problem (have to check)	Corresponding device								Others	
	Control panel	Water Inlet Valve	Water level sensor	Safety switch	Gear motor	Capacitor	Mechanism case	Holding spring		Packing valve
Machine does not work	No light at the dial	0								
	Dial light is on	0	0							
Unusual amount of water inside machine	No sound of water from inlet valve	0	0							
	There is sound of water from inlet valve									Check water supply
	Not enough water flow									Check water supply
	Water never stops flowing in	0	0	0						
Washing system does not work	Pulsator does not spin (no sound of motor)	0								Motor
	Pulsator does not spin (there is sound of motor)					0	0			Belt, Motor
	Pulsator spins only one way	0					0			Pulley Motor
	Pulsator spins slowly	0								Belt, Motor
Unusual draining	No draining	0								
	Drains slowly	0				0			0	
Unusual spinning system	No spinning (no sound of motor)								0	
	No spinning (Pulsator spins)	0		0						
	No force in spinning (tubspins slowly)						0			
Unusual loud noise	Loud noise during washing									Belt, Motor
	Loud noise during dry spinning						0			Check installation
Water leak	Water leaks from drain pipe						0	0		Something clogged
	Water leaks at the bottom of machine									Drain pipe A, Pulsator
Incorrect working	Water is supplied during spinning									Unbalanced tub, leaning
	Rinses more than 3 times				0			0		Unbalanced tub, leaning
	Pulsator spins despite no water				0					Air pipe clogged
	Cannot change function program	0	0							Description of usage
	Water does not flow out of a filter									Description of usage
	No overflow during water filling as rinsing									Description of usage
	Selected washing program cannot be memorized									Description of usage
	Fabric softener flows away too fast									Description of usage
	Pulsator spins in short range as washing and rinsing									Description of usage
Works at low wash level then supplies water again									Description of usage	

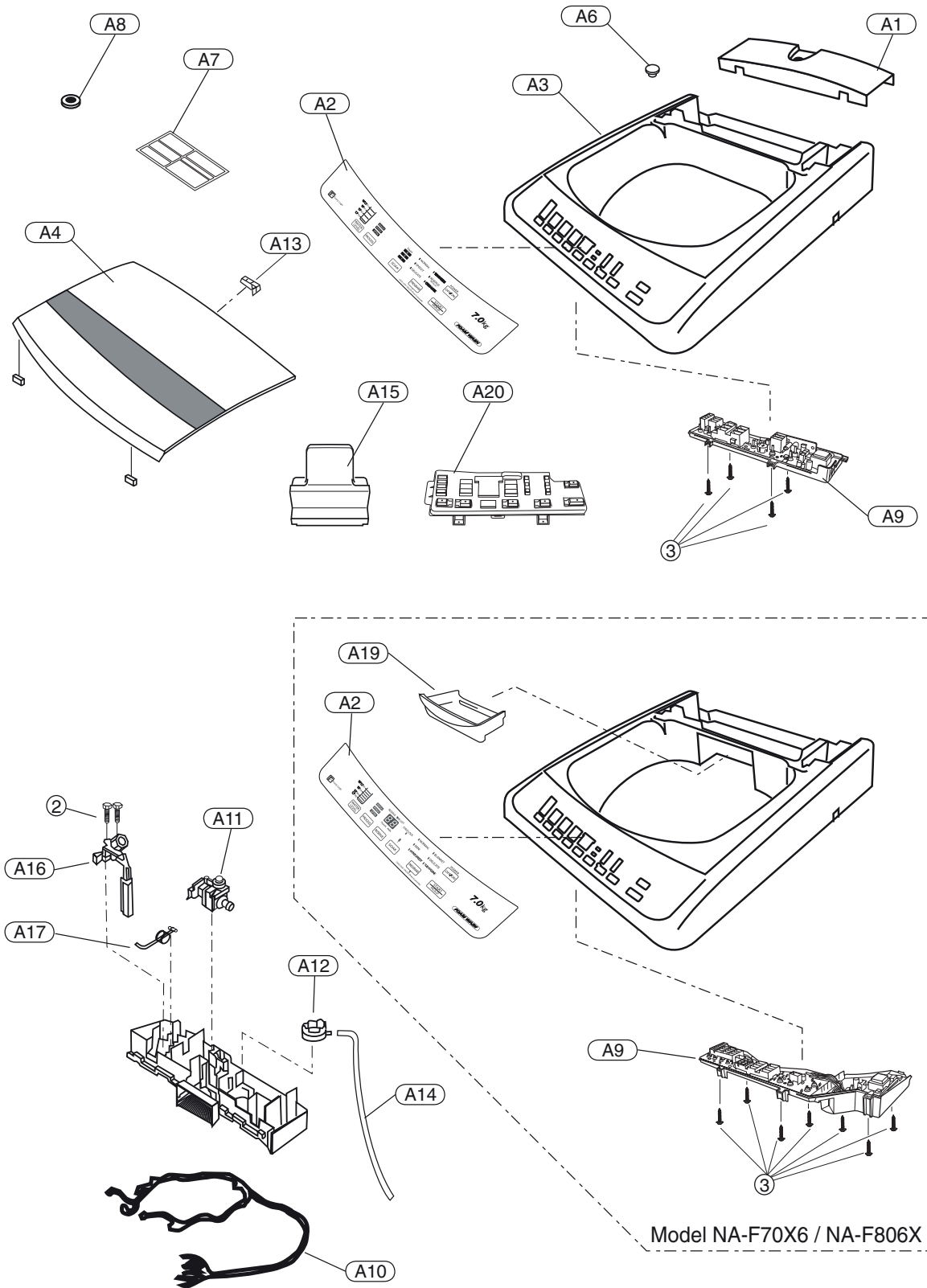
8.2 The following symptoms are not trouble.

Symptoms	Causes
Machine begins filling water in the middle of the wash.	<ul style="list-style-type: none"> When the laundry amount is large at the HIGH water level, the machine sometimes fills automatically. When level goes down, the machine fills automatically.
The water level is too high for the amount of laundry being washed.	<ul style="list-style-type: none"> When the laundry is already soaked with water before the wash is started, or if there is water in the tub before the wash is started, the water level will sometimes be higher.
The water level is too low for the amount of laundry being washed.	<ul style="list-style-type: none"> With light laundry made of synthetic or blended fabric, the water level will sometimes be lower.
Midway during spinning, the operation suddenly changes to rinsing.	<ul style="list-style-type: none"> When the laundry is unbalanced during spin, rinsing and automatic correction of unbalanced laundry will begin. Later spinning will return to normal condition.
Water does not flow through the lint filter. Double Cascade does not operate.	<ul style="list-style-type: none"> When the water level is set to very low, water sometimes will not flow through the lint filter. Double Cascade does not operate when these settings have been selected.
Softener spills out from softener drawer.	<ul style="list-style-type: none"> Keep the level of the softener indicated to prevent the softener from flowing immediately. If you close the softener drawer forcefully, softener may spill out of the drawer.
During draining, the laundry and the spinner rotates with irregular movements.	<ul style="list-style-type: none"> To suppress soap suds build-up, the washing tub turns slowly and quickly.
The buttons do not work.	<ul style="list-style-type: none"> Only the [WATER LEVEL] button is available after the machine begins washing. To change the setting, press the [START/HOLD] button or press the [POWER OFF/ON] button and reconfigure the setting.
If you start with the rinse cycle, the tub is not filled with water.	<ul style="list-style-type: none"> When there is water in the tub, the operation starts with the draining. After spin cycle is finished, the tub will be filled with water.
Washing machine does not run at all.	<ul style="list-style-type: none"> Check if there is power failure. Check if the power fuse has blown out or the breaker is actuated. Check if the power plug is plugged in thoroughly. Check if the "Power" switch has been pressed. Has the water faucet been turned on? Check if the [START/HOLD] button has been pressed. Has the machine been programmed under [RESERVE] timer?

Symptoms	Causes
Machine begins filling water in the middle of the wash.	<ul style="list-style-type: none"> • When the laundry amount is large at the HIGH water level, the machine sometimes fills automatically. When level goes down, the machine fills automatically.
Water is not supplied.	<ul style="list-style-type: none"> • Check if the water faucet is turned on. • Is the water supply cut off? • Check if the connection of the water supply hose is clogged with dirt. • Check if the lid is opened. Close the lid.
Washing operation still continue even though the expected finishing time had passed on Reserve Program.	<ul style="list-style-type: none"> • Washing time will be longer because of laundry unbalance, water feeding and draining condition.
Buzzer sounds followed by a draining when opening the lid during wash and rinse.	<ul style="list-style-type: none"> • In the case when open the lid after setting the [CHILD LOCK] mode, it will force the draining process. Pull out power plug from the outlet and replug it after 5 seconds.
Tub shaking with the sound of water.	<ul style="list-style-type: none"> • This is the sound of the liquid to maintain the balance during spinning.
Water supply failure.	<ul style="list-style-type: none"> • Normally after the water supply failure, the water will become muddy. Detach the water feeding hose and turn on the water faucet to release to due muddy water. Fix water hose and start washing.

9. PARTS EXPLODED VIEW AND REPLACEMENT PARTS LIST

9.1 Parts Exploded View - A



Important safety notice :

Components identified by mark have special characteristics important for safety.
When replacing any of these components, use only manufacturer's specified part.

9.2.1 Replacement Part List : A for NA-F60A6**Parts List**

REF. NO.	PART NAME	PART NO.	SAFETY	TH	MAL	SIN (LOCAL)	IND	UAE (ONE)	OMAN	KUWAIT	QATAR	UAE (PGF)	SIN (EXP)	PHIL
A1	PANEL A (GREY)	AXW01307BR0J		1	1	1	1						1	1
	PANEL A (WHITE)	AXW01307BR0D						1	1	1	1	1		
A2	PANEL FACE B	AXW01467BU0J		1 (EXC.)										
		AXW01467BU5A			1 (EXC.)	1 (EXC.)	1 (EXC.)	1 (EXC.)	1 (EXC.)	1 (EXC.)	1 (EXC.)	1 (EXC.)	1 (EXC.)	1 (EXC.)
A3	BODY B (GREY)	AXW01027BR0J		1	1	1	1						1	1
	BODY B (WHITE)	AXW01027BR0D						1	1	1	1	1		
A4	LID UNIT	AXW001G7BU0J	S	1 (EXC.)	1 (EXC.)	1 (EXC.)	1 (EXC.)						1 (EXC.)	1 (EXC.)
		AXW001G7BU0D	S					1 (EXC.)	1 (EXC.)	1 (EXC.)	1 (EXC.)	1 (EXC.)		
A5	LID PACKING A	AXW01646UP00		4	4	4	4	4	4	4	4	4	4	4
A6	LEVELLER	AXW03536DKA0				1								
A7	SPINNER LID LABEL	AXW11177BS5D		1										
		AXW11177BS50			1	1	1	1	1	1	1	1	1	1
		AXW11177BSKA											1	1
A8	FEEDING PORT PACKING	AXW02676UP00		1	1	1	1	1	1	1	1	1	1	1
A9	CONTROLLER UNIT	AXW024C7BU06	S	1 (EXC.)	1 (EXC.)	1 (EXC.)	1 (EXC.)	1 (EXC.)	1 (EXC.)	1 (EXC.)	1 (EXC.)	1 (EXC.)	1 (EXC.)	1 (EXC.)
A10	CONNECTOR LEAD WIRE UNIT	AXW014A7BR00		1	1	1	1	1	1	1	1	1	1	1
A11	FEEDING VALVE	AXW292119706	S	1	1	1	1	1	1	1	1	1	1	1
A12	PRESSURE SENSOR U	AXW024T03200	S	1	1	1	1	1	1	1	1	1	1	1
		AXW024T02900	S	1	1	1	1	1	1	1	1	1	1	1
A13	LID HINGE SHAFT	AXW01937BK00		1	1	1	1	1	1	1	1	1	1	1
A14	SUB DRAIN HOSE UNIT	AXW002Q6UP00		1	1	1	1	1	1	1	1	1	1	1
A15	DETERGENT CASE UNIT	AXW021B7BR00		1	1	1	1	1	1	1	1	1	1	1
A16	SAFETY SWITCH	AXW166123400	S	1	1	1	1	1	1	1	1	1	1	1
		AXW166122910	S	1	1	1	1	1	1	1	1	1	1	1
A17	LID HINGE SPRING	AXW11167BR00		1	1	1	1	1	1	1	1	1	1	1
A18	CONTROLLER CASE LID	AXW24277BR00		1	1	1	1	1	1	1	1	1	1	1
A20	PANEL FACE C	AXW01477BS00		1	1	1	1	1	1	1	1	1	1	1

Screws

REF. NO.	PART NAME	PART NO.	SAFETY	TH	MAL	SIN (LOCAL)	IND	UAE (ONE)	OMAN	KUWAIT	QATAR	UAE (PGF)	SIN (EXP)	PHIL
1	SPECIAL TAPPING SCREW	XTWAXW469J		2	2	2	2	2	2	2	2	2	2	2
2	BINDING TAPPING SCREW	XTB4+12CFJ		5	5	5	5	5	5	5	5	5	5	5
3	BINDING TAPPING SCREW	XTB4+15CFJ		2	2	2	2	2	2	2	2	2	2	2
4	BINDING TAPPING SCREW	XTB4+15CFJ		2	2	2	2	2	2	2	2	2	2	2
5	BINDING TAPPING SCREW	XTB4+15CFJ		2	2	2	2	2	2	2	2	2	2	2
6	BINDING TAPPING SCREW	XTB4+15CFJ		2	2	2	2	2	2	2	2	2	2	2
7	BINDING TAPPING SCREW	XTB4+15CFJ		2	2	2	2	2	2	2	2	2	2	2

9.2.2 Replacement Part List : A for NA-F70A6 / NA-F756A

Parts List

REF. NO.	PART NAME	PART NO.	SAFETY	TH	MAL	SIN (LOCAL)	IND	SIN (EXP)	TAIWAN
A1	PANEL A (GREY)	AXW01307BR0J			1	1	1	1	1
	PANEL A (DARK GREY)	AXW01307BR0K		1					
A2	PANEL FACE B	AXW01467BT5A		1 (EXC.)					
		AXW01467BT5J			1 (EXC.)	1 (EXC.)	1 (EXC.)	1 (EXC.)	
		AXW01467CH0A							1 (EXC.)
A3	BODY B (GREY)	AXW01027BR0J			1 (EXC.)	1 (EXC.)	1 (EXC.)	1 (EXC.)	1 (EXC.)
	BODY B (DARK GREY)	AXW01027BR0K		1					
A4	LID UNIT	AXW001G7BT0J	S		1 (EXC.)	1 (EXC.)		1 (EXC.)	1 (EXC.)
		AXW001G7BT0A	S	1 (EXC.)					
		AXW001G7CK0J	S				1 (EXC.)		
A5	LID PACKING A	AXW01646UP00		4	4	4	4	4	4
A6	LEVELLER	AXW03536DKA0				1			
A7	SPINNER LID LABEL	AXW11177BS50		1					
		AXW11177BR50			1	1	1	1	
		AXW11177CH00							1 (EXC.)
A8	FEEDING PORT PACKING	AXW02676UP00		1	1	1	1	1	1
A9	CONTROLLER UNIT	AXW024C7BT06	S	1 (EXC.)	1 (EXC.)	1 (EXC.)	1 (EXC.)	1 (EXC.)	
		AXW024C7CH01	S						1 (EXC.)
A10	CONNECTOR LEAD WIRE UNIT	AXW014A7BR00		1	1	1	1	1	1
A11	FEEDING VALVE	AXW292119706	S	1	1	1	1	1	
		AXW292119700	S						1
A12	PRESSURE SENSOR U	AXW024T03300	S	1	1	1	1	1	1
		AXW024T02800	S	1	1	1	1	1	1
A13	LID HINGE SHAFT	AXW01937BK00		1	1	1	1	1	1
A14	SUB DRAIN HOSE UNIT	AXW002Q6UT00		1	1	1	1	1	1
A15	DETERGENT CASE UNIT	AXW021B7BR00		1	1	1	1	1	1
A16	SAFETY SWITCH	AXW166123400	S	1	1	1	1	1	1
		AXW166122910	S	1	1	1	1	1	1
A17	LID HINGE SPRING	AXW11167BR00		1	1	1	1	1 (EXC.)	1 (EXC.)
A18	CONTROLLER CASE LID	AXW24277BR00		1	1	1	1	1	1
A20	PANEL FACE C	AXW01477BS00		1	1	1	1	1	1

Screws

REF. NO.	PART NAME	PART NO.	SAFETY	TH	MAL	SIN (LOCAL)	IND	SIN (EXP)	TAIWAN
1	SPECIAL TAPPING SCREW	XTWAXW469J		2	2	2	2	2	2
2	BINDING TAPPING SCREW	XTB4+12CFJ		5	5	5	5	5	5
3	BINDING TAPPING SCREW	XTB4+15CFJ		2	2	2	2	2	2
4	BINDING TAPPING SCREW	XTB4+15CFJ		2	2	2	2	2	2
5	BINDING TAPPING SCREW	XTB4+15CFJ		2	2	2	2	2	2
6	BINDING TAPPING SCREW	XTB4+15CFJ		2	2	2	2	2	2
7	BINDING TAPPING SCREW	XTB4+15CFJ		2	2	2	2	2	2

9.2.3 Replacement Part List : A for NA-F70G6 / NA-F70G6P

Parts List

REF. NO.	PART NAME	PART NO.	SAFETY	NA-F70G6					NA-F70G6P			
				MAL	SIN (LOCAL)	UAE (ONE)	OMAN	QATAR	UAE (ONE)	KUWAIT	QATAR	UAE (PGF)
A1	PANEL A (WHITE)	AXW01307BR0D				1 (EXC.)	1 (EXC.)	1 (EXC.)	1	1	1	1
	PANEL A (DARK GREY)	AXW01307BR0K		1 (EXC.)	1 (EXC.)							
A2	PANEL FACE B	AXW01467BS5A		1 (EXC.)	1 (EXC.)	1 (EXC.)	1 (EXC.)	1 (EXC.)				
A3	BODY B (DARK GREY)	AXW01027BR0K		1	1							
	BODY B (WHITE)	AXW01027BR0D				1 (EXC.)	1 (EXC.)	1 (EXC.)	1	1	1	1
A4	LID UNIT	AXW001G7BS0A	S	1 (EXC.)	1 (EXC.)							
		AXW001G7BS0D	S			1 (EXC.)	1 (EXC.)	1 (EXC.)				
		AXW001G7CJ0A	S						1 (EXC.)	1 (EXC.)	1 (EXC.)	1 (EXC.)
A5	LID PACKING A	AXW01646UP00		4	4	4	4	4	4	4	4	4
A6	LEVELLER	AXW03536DKA0			1							
A7	SPINNER LID LABEL	AXW11177BS5A		1	1							
		AXW11177CJ00							1 (EXC.)	1 (EXC.)	1 (EXC.)	1 (EXC.)
		AXW11177BS5D				1	1	1				
A8	FEEDING PORT PACKING	AXW02676UP00		1	1	1	1	1	1	1	1	
A9	CONTROLLER UNIT	AXW024C7BS06	S	1 (EXC.)	1 (EXC.)	1 (EXC.)	1 (EXC.)	1 (EXC.)				
		AXW024C7CJ01	S						1 (EXC.)	1 (EXC.)	1 (EXC.)	1 (EXC.)
A10	CONNECTOR LEAD WIRE UNIT	AXW014A7BR00	S	1 (EXC.)	1 (EXC.)	1 (EXC.)	1 (EXC.)	1 (EXC.)				
		AXW014A7CJ00	S						1 (EXC.)	1 (EXC.)	1 (EXC.)	1 (EXC.)
A11	FEEDING VALVE	AXW292119706	S	1	1	1	1	1	1	1	1	1
A12	PRESSURE SENSOR U	AXW024T03300	S	1	1	1	1	1	1	1	1	1
		AXW024T02800	S	1	1	1	1	1	1	1	1	1
A13	LID HINGE SHAFT	AXW01937BK00		1	1	1	1	1	1	1	1	1
A14	SUB DRAIN HOSE UNIT	AXW002Q6UP00							1	1	1	1
		AXW002Q6UT00		1	1	1	1	1				
A15	DETERGENT CASE UNIT	AXW021B7BR00		1	1	1	1	1	1	1	1	1
A16	SAFETY SWITCH	AXW166123400	S	1	1	1	1	1	1	1	1	1
		AXW166122910	S	1	1	1	1	1	1	1	1	1
A17	LID HINGE SPRING	AXW11167BR00		1	1	1	1	1	1 (EXC.)	1 (EXC.)	1	1
A18	CONTROLLER CASE LID	AXW2477BR00		1	1	1	1	1	1	1	1	1
A20	PANEL FACE C	AXW01477BS00		1 (EXC.)	1 (EXC.)	1 (EXC.)	1	1	1	1	1	1

Screws

REF. NO.	PART NAME	PART NO.	SAFETY	NA-F70G6					NA-F70G6P			
				MAL	SIN (LOCAL)	UAE (ONE)	OMAN	QATAR	UAE (ONE)	KUWAIT	QATAR	UAE (PGF)
1	SPECIAL TAPPING SCREW	XTWAXW469J		2	2	2	2	2	2	2	2	2
2	BINDING TAPPING SCREW	XTB4+12CFJ		5	5	5	5	5	5	5	5	5
3	BINDING TAPPING SCREW	XTB4+15CFJ		2	2	2	2	2	2	2	2	2
4	BINDING TAPPING SCREW	XTB4+15CFJ		2	2	2	2	2	2	2	2	2
5	BINDING TAPPING SCREW	XTB4+15CFJ		2	2	2	2	2	2	2	2	2
6	BINDING TAPPING SCREW	XTB4+15CFJ		2	2	2	2	2	2	2	2	2
7	BINDING TAPPING SCREW	XTB4+15CFJ		2	2	2	2	2	2	2	2	2

9.2.4 Replacement Part List : A for NA-F70X6 / NA-F806X

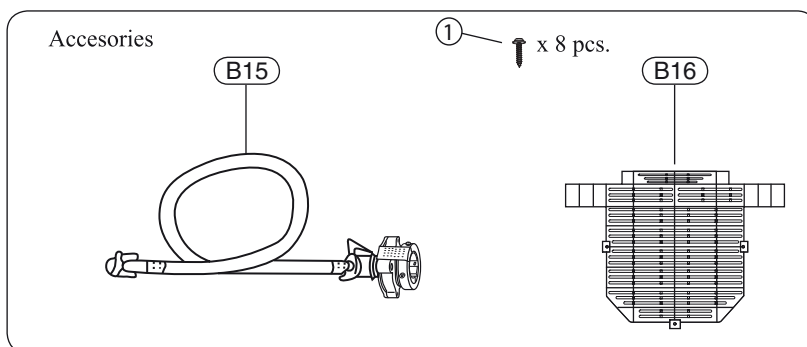
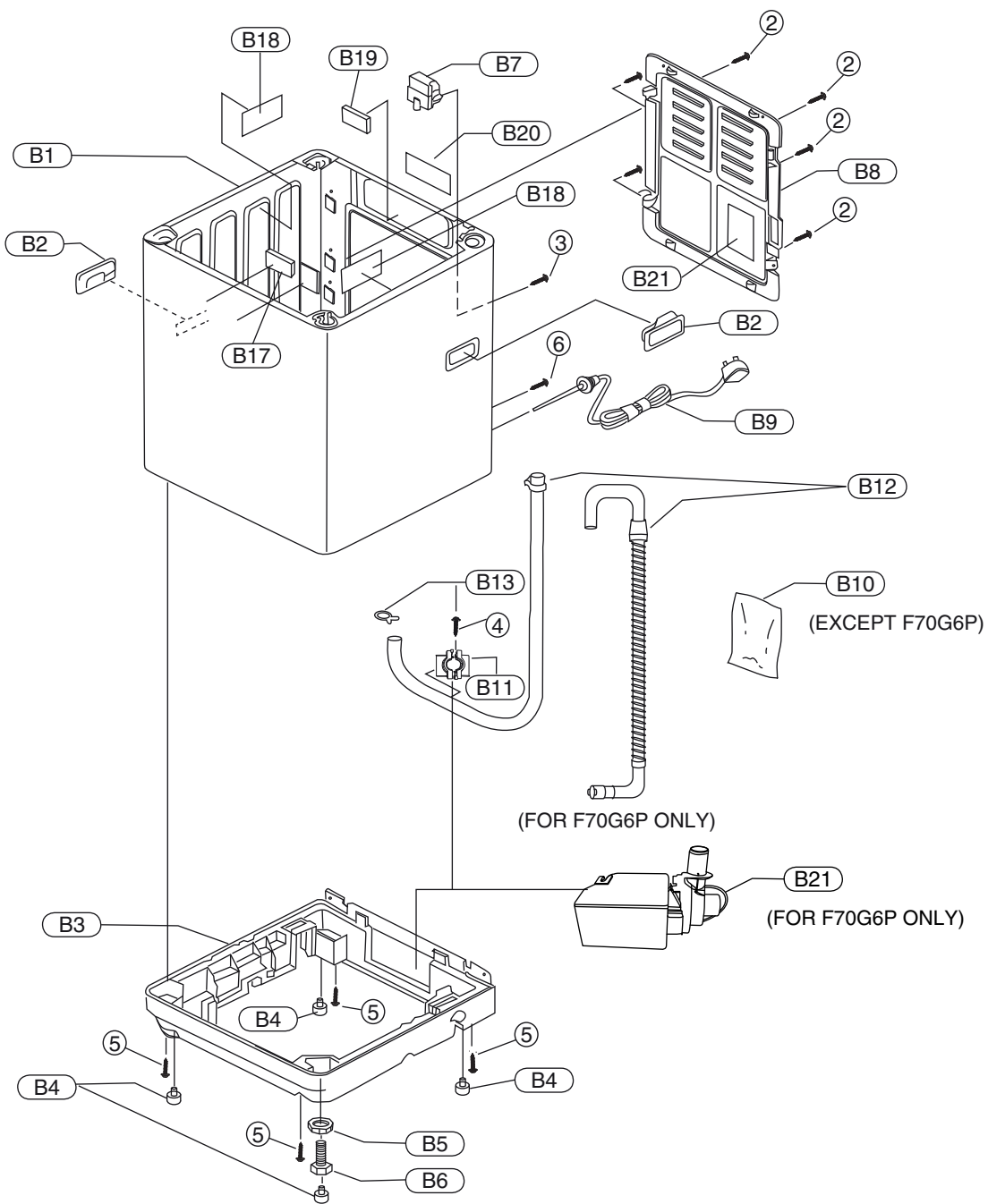
Parts List

REF. NO.	PART NAME	PART NO.	SAFETY	TH	MAL	SIN (LOCAL)	IND	UAE (ONE)	KUWAIT	QATAR	PHIL
A1	PANEL A	AXW01307BR0A		1 (EXC.)	1 (EXC.)	1 (EXC.)	1	1 (EXC.)	1 (EXC.)	1 (EXC.)	1 (EXC.)
A2	PANEL FACE B	AXW01467BR0A		1 (EXC.)							
		AXW01467BR5A			1 (EXC.)	1 (EXC.)	1 EXC.	1 (EXC.)	1 (EXC.)	1 (EXC.)	1 (EXC.)
A3	BODY B	AXW01027BR0K		1 (EXC.)	1 (EXC.)	1 (EXC.)	1 EXC.	1 (EXC.)	1 (EXC.)	1 (EXC.)	1 (EXC.)
A4	LID UNIT	AXW001G7BR0S	S	1 (EXC.)	1 (EXC.)	1 (EXC.)		1 (EXC.)	1 (EXC.)	1 (EXC.)	1 (EXC.)
		AXW001G7CLO5	S				1 EXC.				
A5	LID PACKING A	AXW01646UP00		4	4	4	4	4	4	4	4
A6	LEVELLER	AXW03536DKA0				1					
A7	SPINNER LID LABEL	AXW11177BR00		1 (EXC.)							
		AXW11177BR5A			1 (EXC.)	1 (EXC.)	1	1 (EXC.)	1 (EXC.)	1 (EXC.)	1 (EXC.)
A8	FEEDING PORT PACKING	AXW02676UP00		1	1	1	1	1	1	1	1
A9	CONTROLLER UNIT	AXW024C7BR06	S	1 (EXC.)	1 (EXC.)	1 (EXC.)	1 EXC.	1 (EXC.)	1 (EXC.)	1 (EXC.)	1 (EXC.)
A10	CONNECTOR LEAD WIRE UNIT	AXW014A7BR00	S	1 (EXC.)	1 (EXC.)	1 (EXC.)	1 EXC.	1 (EXC.)	1 (EXC.)	1 (EXC.)	1 (EXC.)
A11	FEEDING VALVE	AXW292119706	S	1	1	1	1	1	1	1	1
A12	PRESSURE SENSOR U	AXW024T03300	S	1	1	1	1	1	1	1	1
		AXW024T02800	S	1	1	1	1	1	1	1	1
A13	LID HINGE SHAFT	AXW01937BK00		1	1	1	1	1	1	1	1
A14	SUB DRAIN HOSE UNIT	AXW002Q6UT00		1	1	1	1	1	1	1	1
A15	DETERGENT CASE UNIT	AXW021B7BR00		1 (EXC.)	1 (EXC.)	1 (EXC.)	1 EXC.	1 (EXC.)	1 (EXC.)	1 (EXC.)	1 (EXC.)
A16	SAFETY SWITCH	AXW166123400	S	1	1	1	1	1	1	1	1
		AXW166122910	S	1	1	1	1	1	1	1	1
A17	LID HINGE SPRING	AXW11167BR00		1	1 (EXC.)	1 (EXC.)	1	1	1 (EXC.)	1 (EXC.)	1
A18	CONTROLLER CASE LID	AXW2477BR00		1	1	1	1	1	1	1	1
A20	PANEL FACE C	AXW01477BR00		1 (EXC.)	1 (EXC.)	1 (EXC.)	1 EXC.	1 (EXC.)	1 (EXC.)	1 (EXC.)	1 (EXC.)

Screws

REF. NO.	PART NAME	PART NO.	SAFETY	TH	MAL	SIN (LOCAL)	IND	UAE (ONE)	KUWAIT	QATAR	PHIL
1	SPECIAL TAPPING SCREW	XTWAXW469J		2	2	2	2	2	2	2	2
2	BINDING TAPPING SCREW	XTB4+12CFJ		5	5	5	5	5	5	5	5
3	BINDING TAPPING SCREW	XTB4+15CFJ		2	2	2	2	2	2	2	2
4	BINDING TAPPING SCREW	XTB4+15CFJ		2	2	2	2	2	2	2	2
5	BINDING TAPPING SCREW	XTB4+15CFJ		2	2	2	2	2	2	2	2
6	BINDING TAPPING SCREW	XTB4+15CFJ		2	2	2	2	2	2	2	2
7	BINDING TAPPING SCREW	XTB4+15CFJ		2	2	2	2	2	2	2	2

9.3 Parts Exploded View - B



9.4.1 Replacement Part List : B for NA-F60A6

Parts List

REF. NO.	PART NAME	PART NO.	SAFETY	TH	MAL	SIN (LOCAL)	IND	UAE (ONE)	OMAN	KUWAIT	QATAR	UAE (PGF)	SIN (EXP)	PHIL	
B1	BODY A UNIT (GREY)	AXW001A7BR0J		1	1	1									
	BODY A UNIT (WHITE)	AXW001A7BR0D						1	1			1			
	BODY A UNIT (GREY)	AXW001A7BR5J					1						1	1	
B2	GRIP	AXW01106UP0J		2	2	2	2						2	2	
		AXW01106UP0D						2	2	2	2	2			
B3	BASE A	AXW03016UP00		1	1	1	1	1	1	1	1	1	1	1	
B4	LEG COVERING	AXW03396UP00		4	4	4	4	4	4	4	4	4	4	4	
B5	ADJUSTABLE LEG THUMB	AXW03436JZ00		1	1	1	1	1	1	1	1	1	1	1	
B6	ADJUSTABLE LEG	AXW0335-UP00		1	1	1	1	1	1	1	1	1	1	1	
B7	CAPACITOR	AXW04037P007	S					1	1	1	1	1	1	1	
B8	BACK PANEL	AXW01566ZV00		1	1	1	1	1	1	1	1	1	1	1	
B9	POWER CORD UNIT	AXW004A83400	S											1	
		AXW004A72914	S									1			
		AXW004A72924	S	1											
		AXW004A78115	S		1	1			1	1	1	1			
		AXW004A77254	S			1	1								
		AXW004A73014	S					1						1	
B10	CHEMICAL COVER	AXW04486UP20		1	1	1	1	1	1	1	1	1	1	1	
B11	HOSSE HOLDER A	AXW01206MD00		1	1	1	1	1	1	1	1	1	1	1	
B12	FLEXIBLE HOSE B UNIT	AXW002E6UP00		1	1	1	1	1	1	1	1	1	1	1	
B13	HOSE BAND	AXW02456UP00		1	1	1	1	1	1	1	1	1	1	1	
B15	SERVICE PRESSURE HOSE UNIT	AXW012D7BK00		1	1	1	1	1	1	1	1	1	1	1	
B16	BOTTOM COVER	AXW21586ZV00		1	1	1	1	1	1	1	1	1	1	1	
B17	BODY A PROTECTION	AXW90466AA5M		2	2	2	2	2	2	2	2	2	2	2	
B18	BODY A PROTECTION	AXW90466NTA0		1	1	1	1	1	1	1	1	1	1	1	
B19	PBODY A PROTECTION	AXW90466FK10		2	2	2	2	2	2	2	2	2	2	2	
B20	NAME PLATE	AXW01537BU00		1 (EXC.)											
		AXW01537BU50			1 (EXC.)		1 (EXC.)	1 (EXC.)	1 (EXC.)	1 (EXC.)	1 (EXC.)	1 (EXC.)	1 (EXC.)		
		AXW01537BUA0				1 (EXC.)									
		AXW01537BUF0												1 (EXC.)	

Screws

REF. NO.	PART NAME	PART NO.	SAFETY	TH	MAL	SIN (LOCAL)	IND	UAE (ONE)	OMAN	KUWAIT	QATAR	UAE (PGF)	SIN (EXP)	PHIL
1	PAN HEAD SCREW	XSN5+10BNS		1	1	1	1	1	1	1	1	1	1	1
2	SPECIAL TAPPING SCREW	XTTAXW444J		4	4	4	4	4	4	4	4	4	4	4
3	SPECIAL TAPPING SCREW	XTTAXW444J		6	6	6	6	6	6	6	6	6	6	6
4	BIND TAPPING SCREW	XTB4+20BFJ		1	1	1	1	1	1	1	1	1	1	1
5	PAN HEAD TAPPING SCREW	XTN4+8HFJ		1	1	1		1	1	1	1	1		
6	BIND TAPPING SCREW	XYNAXW438J		1	1	1	1	1	1	1	1	1	1	1

9.4.2 Replacement Part List : B for NA-F70A6 / NA-F756A

Parts List

REF. NO.	PART NAME	PART NO.	SAFETY	TH	MAL	SIN (LOCAL)	IND	SIN (EXP)	TAIWAN
B1	BODY A UNIT (GREY)	AXW001A7BR0J			1 (EXC.)	1 (EXC.)			1 (EXC.)
	BODY A UNIT (SILVER)	AXW001A7BR0A		1					
	BODY A UNIT (GREY)	AXW001A7BR5J					1 (EXC.)	1 (EXC.)	
B2	GRIP	AXW01106UPOJ		2	2	2	2	2	2
B3	BASE A	AXW03016UP00		1	1	1	1	1	1
B4	LEG COVERING	AXW03396UP00		4	4	4	4	4	4
B5	ADJUSTABLE LEG THUMB	AXW03436JZ00		1	1	1	1	1	1
B6	ADJUSTABLE LEG	AXW0335-UP00		1	1	1	1	1	1
B7	CAPACITOR	AXW04037P107	S	1	1	1	1	1	1
		AXW04037P202	S						1
B8	BACK PANEL	AXW01566ZV00		1	1	1	1	1	1
B9	POWER CORD UNIT	AXW004A72924	S	1					
		AXW004A78115	S		1	1			
		AXW004A77254	S		1	1			
		AXW004A73014	S				1	1	
		AXW004A83700	S						1
B10	CHEMICAL COVER	AXW04486UP20		1	1	1	1	1	1
B11	HOSE HOLDER A	AXW01206MD00		1	1	1	1	1	1
B12	FLEXIBLE HOSE B UNIT	AXW002E6UT0C		1	1	1	1	1	1
B13	HOSE BAND	AXW02456UP00		1	1	1	1	1	1
B15	SERVICE PRESSURE HOSE UNIT	AXW012D7BK00		1	1	1	1	1	1
B16	BOTTOM COVER	AXW21586ZV00		1	1	1	1	1	1
B17	BODY A PROTECTION	AXW90466AA5M		2	2	2	2	2	2
B18	BODY A PROTECTION	AXW90466NTA0		1	1	1	1	1	1
B19	BODY A PROTECTION	AXW90466FK10		2	2	2	2	2	2
B20	NAME PLATE	AXW01537BT00	S	1 (EXC.)					
		AXW01537BT50	S		1 (EXC.)			1 (EXC.)	
		AXW01537BTA0	S			1 (EXC.)			
		AXW01537CH00	S						1 (EXC.)
		AXW01537CK00	S					1 (EXC.)	

Screws

REF. NO.	PART NAME	PART NO.	SAFETY	TH	MAL	SIN (LOCAL)	IND	SIN (EXP)	TAIWAN
1	PAN HEAD SCREW	XSN5+10BNS		1	1	1	1	1	1
2	SPECIAL TAPPING SCREW	XTTAXW444J		4	4	4	4	4	4
3	SPECIAL TAPPING SCREW	XTTAXW444J		6	6	6	6	6	6
4	BIND TAPPING SCREW	XTB4+20BFJ		1	1	1	1	1	1
5	PAN HAD TAPPING SCREW	XTN4+8HFJ		1	1	1			
6	BIND TAPPING SCREW	XYNAXW438J		1	1	1	1	1	
7	BIND TAPPING SCREW	XTB4+15CFJ							1
8	BIND TAPPING SCREW	XTB4+15CFJ							1

9.4.3 Replacement Part List : B for NA-F70G6 / NA-F70G6P

Parts List

REF. NO.	PART NAME	PART NO.	SAFETY	NA-F70G6					NA-F70G6P			
				MAL	SIN (LOCAL)	UAE (ONE)	OMAN	QATAR	UAE (ONE)	KUWAIT	QATAR	UAE (PGF)
B1	BODY A UNIT (SILVER)	AXW001A7BR0A		1	1							
	BODY A UNIT (WHITE)	AXW001A7BR0D				1 (EXC.)	1 (EXC.)	1 (EXC.)			1	1
B2	GRIP	AXW01106UP0J		2	2							
		AXW01106UP0D				2	2	2	2	2	2	2
B3	BASE A	AXW03016UP00		1	1	1	1	1				
		AXW03016WE00							1	1	1	1
B4	LEG COVERING	AXW03396UP00		4	4	4	4	4	4	4	4	4
B5	ADJUSTABLE LEG THUMB	AXW03436JZ00		1	1	1	1	1	1	1	1	1
B6	ADJUSTABLE LEG	AXW0355-UP00		1	1	1	1	1	1	1	1	1
B7	CAPACITOR	AXW04037P107	S	1	1	1	1	1	1	1	1	1
B8	BACK PANEL	AXW01566ZV00		1	1	1	1	1	1	1	1	1
B9	POWER CORD UNIT	AXW004A72914	S									1
		AXW004A78115	S	1	1	1	1	1	1	1	1	
		AXW004A77254	S	1	1							
B10	CHEMICAL COVER	AXW04486UP20		1	1	1	1	1	1	1	1	1
B11	HOSE HOLDER A	AXW01206MD00		1	1	1	1	1				
B12	FLEXIBLE HOSE B UNIT	AXW002E6UTO0C		1	1	1	1	1				
	DRAIN HOSE UNIT	AXW002D6RJ00							1	1	1	1
B13	HOSE BAND	AXW02456UP00		1	1	1	1	1				
B15	SERVICE PRESSURE HOSE UNIT	AXW012D7BK00		1	1	1	1	1	1	1	1	1
B16	BOTTOM COVER	AXW21586ZV00		1	1	1	1	1	1	1	1	1
B17	BODY A PROTECTION	AXW90466AA5M		2	2	2	2	2	2	2	2	2
B18	BODY A PROTECTION	AXW90466NTA0		2	2	2	2	2	2	2	2	2
B19	BODY A PROTECTION	AXW90466FK10		1	1	1	1	1	1	1	1	1
B20	NAME PLATE	AXW01537BS50	S	1 (EXC.)		1 (EXC.)	1 (EXC.)	1 (EXC.)				
		AXW01537BSA0	S		1 (EXC.)							
		AXW01537CJ00	S						1 (EXC.)	1 (EXC.)	1 (EXC.)	1 (EXC.)
B21	PUMP UNIT	AXW008C6WE00							1	1	1	1

Screws

REF. NO.	PART NAME	PART NO.	SAFETY	NA-F70G6					NA-F70G6P			
				MAL	SIN (LOCAL)	UAE (ONE)	OMAN	QATAR	UAE (ONE)	KUWAIT	QATAR	UAE (PGF)
1	PAN HEAD SCREW	XSN5+10BNS		1	1	1	1	1	1	1	1	1
2	SPECIAL TAPPING SCREW	XTTAXW444J		4	4	4	4	4	4	4	4	4
3	SPECIAL TAPPING SCREW	XTTAXW444J		6	6	6	6	6	6	6	6	6
4	BIND TAPPING SCREW	XTB4+20BFJ		1	1	1	1	1	1	1	1	1
5	PAN HEAD TAPPING SCREW	XTN4+8HFJ		1	1	1	1	1	1	1	1	1
6	BIND TAPPING SCREW	XYNAXW438J		1	1	1	1	1	1	1	1	1
7	BIND TAPPING SCREW	XYNAXW438J							3	3	3	3
8	BIND TAPPING SCREW	XTB4+15CFJ							2	2	2	2
9	PAN HEAD TAPPING SCREW	XTN5+16BFJ							3	3	3	3
10	BIND TAPPING SCREW	XTB4+15CFJ							2	2	2	2

9.4.4 Replacement Part List : B for NA-F70X6 / NA-F806X

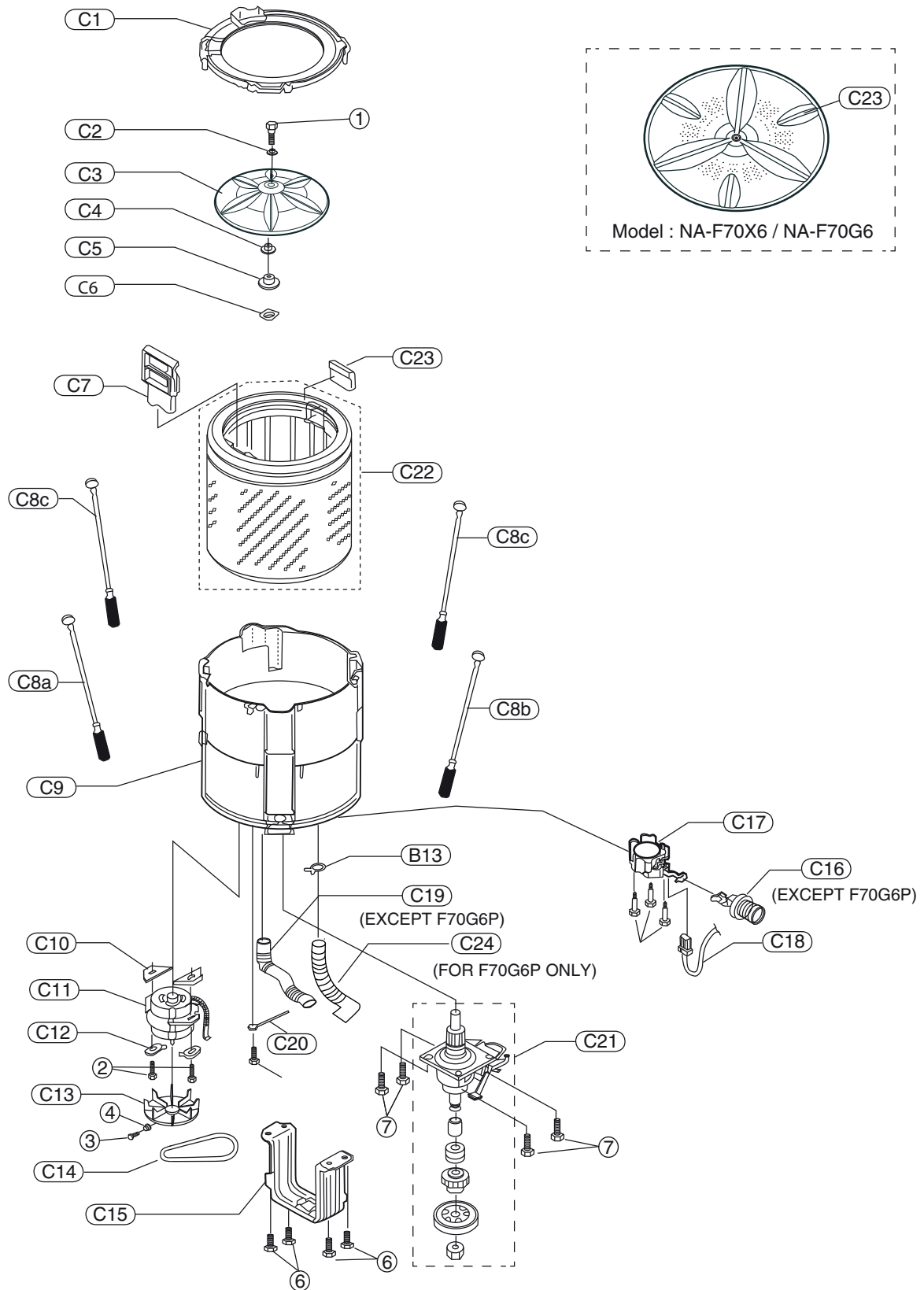
Parts List

REF. NO.	PART NAME	PART NO.	SAFETY	TH	MAL	SIN (LOCAL)	IND	UAE (ONE)	KUWAIT	QATAR	PHIL
B1	BODY A UNIT (SILVER)	AXW001A7BR0A		1 (EXC.)	1 (EXC.)	1 (EXC.)		1 (EXC.)	1 (EXC.)	1 (EXC.)	
		AXW001A7BR5A					1 EXC.)				1 (EXC.)
B2	GRIP	AXW01106UP0J		2	2	2	2	2	2	2	2
B3	BASE A	AXW03016UP00		1	1	1	1	1	1	1	1
B4	LEG COVERING	AXW03396UP00		4	4	4	4	4	4	4	4
B5	ADJUSTABLE LEG THUMB	AXW03436JZ00		1	1	1	1	1	1	1	1
B6	ADJUSTABLE LEG	AXW0335-UP00		1	1	1	1	1	1	1	1
B7	CAPACITOR	AXW04037P107	S	1	1	1	1	1	1	1	1
B8	BACK PANEL	AXW01566ZV00		1	1	1	1	1	1	1	1
B9	POWER CORD UNIT	AXW004A83400	S								1
		AXW004A72924	S	1							
		AXW004A78115	S			1	1		1	1	1
		AXW004A77254	S			1	1				
		AXW004A73014	S					1			
B10	CHEMICAL COVER	AXW04486U020		1	1	1	1	1	1	1	1
B11	HOSE HOLDER A	AXW01206MD00		1	1	1	1	1	1	1	1
B12	FLOXIBLE HOSE B UNIT	AXW002E6UT0C		1	1	1	1	1	1	1	1
B13	HOSE BAND	AXW02456UP00		1	1	1	1	1	1	1	1
B15	SERVICE PRESSURE HOSE UNIT	AXW012D7BK00		1	1	1	1	1	1	1	1
B16	BOTTOM COVER	AXW21586ZV00		1	1	1	1	1	1	1	1
B17	BODY A PROTECTION	AXW90466AA5M		2	2	2	2	2	2	2	2
B18	BODY A PROTECTION	AXW90466NTA0		2	2	2	2	2	2	2	2
B19	BODY A PROTECTION	AXW90466FK10		1	1	1	1	1	1	1	1
B20	NAME PLATE	AXW01537BR00	S	1 (EXC.)							
		AXW01537BR50	S		1 (EXC.)			1 (EXC.)	1 (EXC.)	1 (EXC.)	
		AXW01537BRA0	S				1 (EXC.)				
		AXW01537BRF0	S								1 (EXC.)
		AXW01537CL00	S					1 EXC.)			

Screws

REF. NO.	PART NAME	PART NO.	SAFETY	TH	MAL	SIN (LOCAL)	IND	UAE (ONE)	KUWAIT	QATAR	PHIL
1	PAN HEAD SCREW	XSN5+10BNS		1	1	1	1	1	1	1	1
2	SPECIAL TAPPING SCREW	XTTAXW444J		4	4	4	4	4	4	4	4
3	SPECIAL TAPPING SCREW	XTTAXW444J		6	6	6	6	6	6	6	6
4	BIND TAPPING SCREW	XTB4+20BFJ		1	1	1	1	1	1	1	1
5	PAN HEAD TAPPING SCREW	XTN4+8HFJ		1	1	1	1	1	1	1	1
6	BIND TAPPING SCREW	XYNAXW438J		1	1	1	1	1	1	1	1

9.5 Parts Exploded View - C



9.6.1 Replacement Part List : C for NA-F60A6

Parts List

REF. NO.	PART NAME	PART NO.	SAFETY	TH	MAL	SIN (LOCAL)	IND	UAE (ONE)	OMAN	KUWAIT	QATAR	UAE (PGF)	SIN (EXP)	PHIL
C1	OUTER TUB COVER	AXW32246MC0M		1	1	1	1	1	1	1	1	1	1	1
C2	O-RING	AXW02576BM00		1	1	1	1	1	1	1	1	1	1	1
C3	PULSATOR	AXW05016UR10		1 (EXC.)	1 (EXC.)	1 (EXC.)	1 (EXC.)	1 (EXC.)	1 (EXC.)	1 (EXC.)	1 (EXC.)	1 (EXC.)	1 (EXC.)	1 (EXC.)
C4	SHAFT BUSHING	AXW05046ZR00		1	1	1	1	1	1	1	1	1	1	1
C5	SPINNER SHAFT FLANGE NUT	AXW15176RU00		1	1	1	1	1	1	1	1	1	1	1
C6	SPINNER FLANGE WASHER B	AXW151980200		1	1	1	1	1	1	1	1	1	1	1
C7	FILTER U	AXW022A6RU00		1	1	1	1	1	1	1	1	1	1	1
C8a	SUSPENSION UNIT (R - R/L)	AXW034U7BU00		2	2	2	2	2	2	2	2	2	2	2
C8b	SUSPENSION UNIT (F - R)	AXW034U7BU50		1	1	1	1	1	1	1	1	1	1	1
C8c	SUSPENSION UNIT (F - L)	AXW034U7BUA0		1	1	1	1	1	1	1	1	1	1	1
C9	OUTER TUB A	AXW12016MC1M		1	1	1	1	1	1	1	1	1	1	1
C10	MOTOR WASHER A	AXW04207BK00		2	2	2	2	2	2	2	2	2	2	2
C11	MOTOR	AXW040157426	S	1	1	1	1	1	1	1	1	1	1	1
C12	MOTOR WASHER B	AXW04217BK00		2	2	2	2	2	2	2	2	2	2	2
C13	MOTOR PULLEY	AXW04116UP00		1	1	1	1	1	1	1	1	1	1	
		AXW04106UP00												1
C14	V-BELT	AXW041219850		1	1	1	1	1	1	1	1	1	1	
		AXW041219050												1
C15	SPINNER PLATE B	AXW32327BR00		1	1	1	1	1	1	1	1	1	1	1
C16	VALVE UNIT	AXW009D6NU00		1	1	1	1	1	1	1	1	1	1	1
C17	GEARED MOTOR	AXW348201006	S	1	1	1	1	1	1	1	1	1	1	1
C18	LEAD WIRE UNIT	AXW014B6UP00	S	1	1	1	1	1	1	1	1	1	1	1
C19	OVER FLOW HOSE B	AXW02346UP00		1	1	1	1	1	1	1	1	1	1	1
C20	EARTH WIRE UNIT	AXW003F6UP00	S	1	1	1	1	1	1	1	1	1	1	1
C21	MECHA-CASE UNIT	AXW020A6UP40C		1	1	1	1	1	1	1	1	1	1	1
C22	TUB UNIT	AXW002A7BU00		1 (EXC.)	1 (EXC.)	1 (EXC.)	1 (EXC.)	1 (EXC.)	1 (EXC.)	1 (EXC.)	1 (EXC.)	1 (EXC.)	1 (EXC.)	1 (EXC.)
C23	RINSE CASE	AXW21715WP0D		1	1	1	1	1	1	1	1	1	1	1

Screws

REF. NO.	PART NAME	PART NO.	SAFETY	TH	MAL	SIN (LOCAL)	IND	UAE (ONE)	OMAN	KUWAIT	QATAR	UAE (PGF)	SIN (EXP)	PHIL
1	SPECIAL TAPPING SCREW	XTWAXW518		8	8	8	8	8	8	8	8	8	8	8
2	SPECIAL TAPPING SCREW	XTWAXW519		8	8	8	8	8	8	8	8	8	8	8
3	SPECIAL TAPPING SCREW	XTWAXW518		6	6	6	6	6	6	6	6	6	6	6
4	PAN HEAD TAPPING SCREW	XTN4+8HFJ		1	1	1	1	1	1	1	1	1	1	1
5	SPECIAL BOLT	XVGAXW703J		1	1	1	1	1	1	1	1	1	1	1
6	SPECIAL BOLT	XVGAXW839J		2	2	2	2	2	2	2	2	2	2	2
7	SPECIAL BOLT	XVGAXW812J		4	4	4	4	4	4	4	4	4	4	4
8	SPECIAL BOLT	XTWAXW682J		2	2	2	2	2	2	2	2	2	2	2
9	SPECIAL TAPPING SCREW	XTWAXW6517J		6	6	6	6	6	6	6	6	6	6	6
10	SPECIAL TAPPING SCREW	XTWAXW6518J		3	3	3	3	3	3	3	3	3	3	3
11	SPECIAL TAPPING SCREW	XTWAXW531		2	2	2	2	2	2	2	2	2	2	2
12	SPECIAL BOLT	XVGAXW643J		1	1	1	1	1	1	1	1	1	1	1
13	SPECIAL BOLT	XVGAXW401S		1	1	1	1	1	1	1	1	1	1	1

9.6.2 Replacement Part List : C for NA-F70A6 / NA-F756A

Parts List

REF. NO.	PART NAME	PART NO.	SAFETY	TH	MAL	SIN (LOCAL)	IND	SIN (EXP)	TAIWAN
C1	OUTER TUB COVER	AXW32246MC0M		1	1	1	1	1	1
C2	O-RING	AXW02576BM00		1	1	1	1	1	1
C3	PULSATOR	AXW05016UR10		1	1	1	1	1	1
C4	SHAFT BUSHING	AXW05046ZR00		1	1	1	1	1	1
C5	SPINNER SHAFT FLANGE NUT	AXW15176RU00		1	1	1	1	1	1
C6	SPINNER FLANGE WASHER B	AXW151980200		1	1	1	1	1	1
C7	FILTER U	AXW022A6RU00		1	1	1	1	1	1
C8a	SUSPENSION UNIT (R - R/L)	AXW034U7BR00		2	2	2	2	2	2
C8b	SUSPENSION UNIT (F - R)	AXW034U7BR50		1	1	1	1	1	1
C8c	SUSPENSION UNIT (F - L)	AXW034U7BRA0		1	1	1	1	1	1
C9	OUTER TUB A	AXW12016NK10		1	1	1	1	1	1
C10	MOTOR WASHER A	AXW04207BK00		2	2	2	2	2	2
C11	MOTOR	AXW040157416	S	1	1	1	1	1	1
		AXW040157401	S						1
C12	MOTOR WASHER B	AXW04217BK00		2	2	2	2	2	2
C13	MOTOR PULLEY	AXW04116UP00		1	1	1	1	1	1
		AXW04106UP00							1
C14	V-BELT	AXW041219850		1	1	1	1	1	1
		AXW041219050							1
C15	SPINNER PLATE B	AXW32327BR00		1	1	1	1	1	1
C16	VALVE UNIT	AXW009D6NU00		1	1	1	1	1	1
C17	GEARED MOTOR	AXW348201006	S	1	1	1	1	1	
		AXW348201001	S						1
C18	LEAD WIRE UNIT	AXW014B6UP00	S	1	1	1	1	1	1
C19	OVER FLOW HOSE B	AXW02346UP00		1	1	1	1	1	1
C20	EARTH WIRE UNIT	AXW003F6UP00	S	1	1	1	1	1	1
C21	MECHA-CASE UNIT	AXW020A6UP40C		1	1	1	1	1	1
C22	TUB UNIT	AXW002A7BT00		1 (EXC.)	1 (EXC.)	1 (EXC.)	1 (EXC.)	1 (EXC.)	1 (EXC.)
C23	RINSE CASE	AXW21715WP0D		1	1	1	1	1	1

Screws

REF. NO.	PART NAME	PART NO.	SAFETY	TH	MAL	SIN (LOCAL)	IND	SIN (EXP)	TAIWAN
1	SPECIAL TAPPING SCREW	XTWAXW518		8	8	8	8	8	8
2	SPECIAL TAPPING SCREW	XTWAXW519		8	8	8	8	8	8
3	SPECIAL TAPPING SCREW	XTWAXW518		6	6	6	6	6	6
4	PAN HEAD TAPPING SCREW	XTN4+8HFJ		1	1	1	1	1	1
5	SPECIAL BOLT	XVGAXW703J		1	1	1	1	1	1
6	SPECIAL BOLT	XVGAXW839J		2	2	2	2	2	2
7	SPECIAL BOLT	XVGAXW812J		4	4	4	4	4	4
8	SPECIAL BOLT	XTWAXW682J		2	2	2	2	2	2
9	SPECIAL TAPPING SCREW	XTWAXW6517J		6	6	6	6	6	6
10	SPECIAL TAPPING SCREW	XTWAXW6518J		3	3	3	3	3	3
11	SPECIAL TAPPING SCREW	XTWAXW531		2	2	2	2	2	2
12	SPECIAL BOLT	XVGAXW643J		1	1	1	1	1	1
13	SPECIAL BOLT	XVGAXW401S		1	1	1	1	1	1

9.6.3 Replacement Part List : C for NA-F70G6 / NA-F70G6P

Parts List

REF. NO.	PART NAME	PART NO.	SAFETY	NA-F70G6					NA-F70G6P			
				MAL	SIN (LOCAL)	UAE (ONE)	OMAN	QATAR	UAE (ONE)	KUWAIT	QATAR	UAE (PGF)
C1	OUTER TUB COVER	AXW32246MC0M		1	1	1	1	1	1	1	1	1
C2	O-RING	AXW02576BM00		1	1	1	1	1	1	1	1	1
C3	PULSATOR	AXW05016UR10		1	1	1	1	1	1	1	1	1
C4	SHAFT BUSHING	AXW05046ZR00		1	1	1	1	1	1	1	1	1
C5	SPINNER SHAFT FLANGE NUT	AXW15176RU00		1	1	1	1	1	1	1	1	1
C6	SPINNER FLANGE WASHER B	AXW151980200		1	1	1	1	1	1	1	1	1
C7	FILTER U	AXW022A6RU00		1	1	1	1	1	1	1	1	1
C8a	SUSPENSION UNIT (R - R/L)	AXW034U7BR00		2	2	2	2	2	2	2	2	2
C8b	SUSPENSION UNIT (F - R)	AXW034U7BR50		1	1	1	1	1	1	1	1	1
C8c	SUSPENSION UNIT (F - L)	AXW034U7BRA0		1	1	1	1	1	1	1	1	1
C9	OUTER TUB A	AXW12016NK10		1	1	1	1	1	1	1	1	1
C10	MOTOR WASHER A	AXW04207BK00		2	2	2	2	2	2	2	2	2
C11	MOTOR	AXW040157616	S	1	1	1	1	1	1	1	1	1
C12	MOTOR WASHER B	AXW04217BK00		2	2	2	2	2	2	2	2	2
C13	MOTOR PULLEY	AXW04116ZV00		1	1	1	1	1	1	1	1	1
C14	V-BELT	AXW041219850		1	1	1	1	1	1	1	1	1
C15	SPINNER PLATE B	AXW32327BR00		1	1	1	1	1	1	1	1	1
C16	VALVE UNIT	AXW009D6NU00		1	1	1	1	1				
C17	GEARED MOTOR	AXW348201006	S	1	1	1	1	1	1	1	1	1
C18	LEAD WIRE UNIT	AXW014BUP00	S	1	1	1	1	1	1	1	1	1
C19	OVER FLOW HOSE B	AXW02346UP00		1	1	1	1	1				
C20	EARTH WIRE UNIT	AXW003F6UP00	S	1	1	1	1	1	1	1	1	1
C21	MECHA-CASE UNIT	AXW020A6UP40C		1	1	1	1	1	1	1	1	1
C22	TUB UNIT	AXW002A7BR00		1	1	1	1	1	1	1	1	1
C23	RINSE CASE	AXW21715WP0D		1	1	1	1	1	1	1	1	1
C24	DRAIN HOSE B	AXW02316RJ00							1	1	1	1

Screws

REF. NO.	PART NAME	PART NO.	SAFETY	NA-F70G6					NA-F70G6P			
				MAL	SIN (LOCAL)	UAE (ONE)	OMAN	QATAR	UAE (ONE)	KUWAIT	QATAR	UAE (PGF)
1	SPECIAL TAPPING SCREW	XTWAXW518		8	8	8	8	8	8	8	8	8
2	SPECIAL TAPPING SCREW	XTWAXW519		8	8	8	8	8	8	8	8	8
3	SPECIAL TAPPING SCREW	XTWAXW518		6	6	6	6	6	6	6	6	6
4	PAN HEAD TAPPING SCREW	XTN4+8HFJ		1	1	1	1	1	1	1	1	1
5	SPECIAL BOLT	XVGAXW703J		1	1	1	1	1	1	1	1	1
6	SPECIAL BOLT	XVGAXW839J		2	2	2	2	2	2	2	2	2
7	SPECIAL BOLT	XVGAXW812J		4	4	4	4	4	4	4	4	4
8	SPECIAL BOLT	XTWAXW682J		2	2	2	2	2	2	2	2	2
9	SPECIAL TAPPING SCREW	XTWAXW6517J		6	6	6	6	6	6	6	6	6
10	SPECIAL TAPPING SCREW	XTWAXW6518J		3	3	3	3	3	3	3	3	3
11	SPECIAL TAPPING SCREW	XTWAXW531		2	2	2	2	2	2	2	2	2
12	SPECIAL BOLT	XVGAXW643J		1	1	1	1	1	1	1	1	1
13	SPECIAL BOLT	XVGAXW401S		1	1	1	1	1	1	1	1	1

9.6.4 Replacement Part List : C for NA-F70X6 / NA-F806X

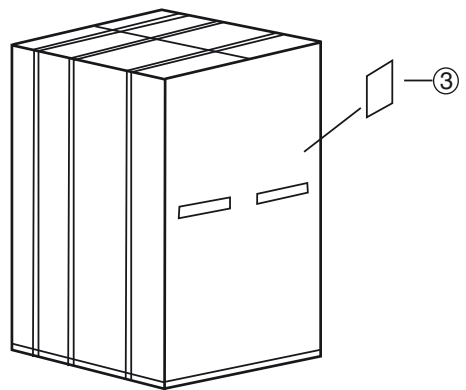
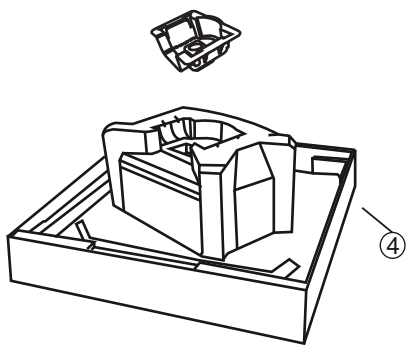
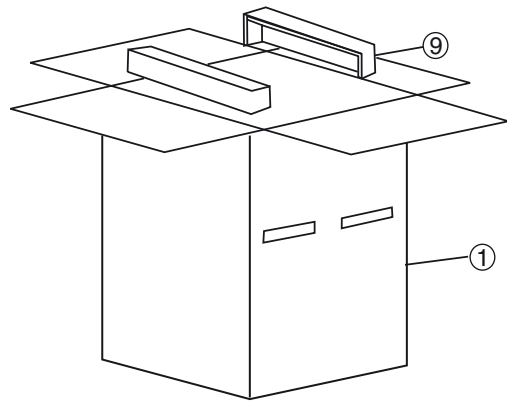
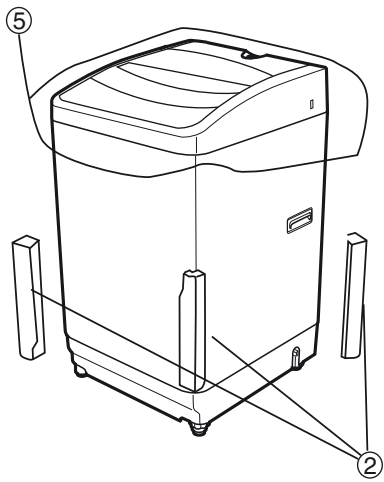
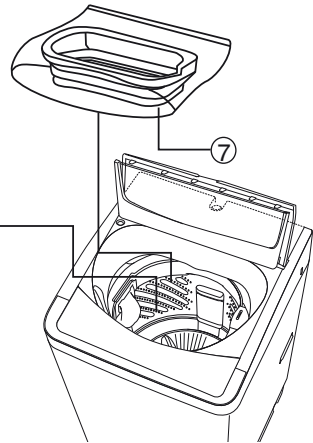
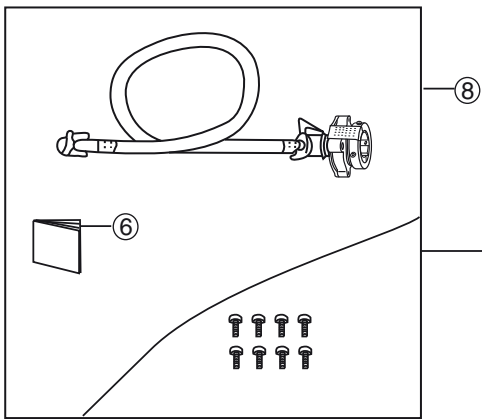
Parts List

REF. NO.	PART NAME	PART NO.	SAFETY	TH	MAL	SIN (LOCAL)	IND	UAE (ONE)	KUWAIT	QATAR	PHIL
C1	OUTER TUB COVER	AXW32246MC0M		1	1	1	1	1	1	1	1
C2	O-RING	AXW02576BM00		1	1	1	1	1	1	1	1
C3	PULSATOR	AXW05016ZV10		1 (EXC.)	1 (EXC.)	1 (EXC.)	1	1 (EXC.)	1 (EXC.)	1 (EXC.)	1 (EXC.)
C4	SHAFT BUSHING	AXW05046ZR00		1	1	1	1	1	1	1	1
C5	SPINNER SHAFT FLANGE NUT	AXW15176RU00		1	1	1	1	1	1	1	1
C6	SPINNER FLANGE WASHER B	AXW151980200		1	1	1	1	1	1	1	1
C7	FILTER U	AXW022A6RU00		1	1	1	1	1	1	1	1
C8a	SUSPENSION UNIT (R - R/L)	AXW034U7BR00		2	2	2	2	2	2	2	2
C8b	SUSPENSION UNIT (F - R)	AXW034U7BR50		1	1	1	1	1	1	1	1
C8c	SUSPENSION UNIT (F - L)	AXW034U7BRA0		1	1	1	1	1	1	1	1
C9	OUTER TUB A	AXW12016NK10		1	1	1	1	1	1	1	1
C10	MOTOR WASHER A	AXW04207BK00		2	2	2	2	2	2	2	2
C11	MOTOR	AXW040157616	S	1	1	1	1	1	1	1	1
C12	MOTOR WASHER B	AXW04217BK00		2	2	2	2	2	2	2	2
C13	MOTOR PULLEY	AXW04116ZV00		1	1	1	1	1	1	1	
		AXW04106ZV00									1
C14	V-BELT	AXW041219850		1	1	1	1	1	1	1	
		AXW041219050									1
C15	SPINNER PLATE B	AXW32327BR00		1 (EXC.)	1 (EXC.)	1 (EXC.)	1	1 (EXC.)	1 (EXC.)	1 (EXC.)	1 (EXC.)
C16	VALVE UNIT	AXW009D6NU00		1	1	1	1	1	1	1	1
C17	GEARED MOTOR	AXW348201006	S	1	1	1	1	1	1	1	1
C18	LEAD WIRE UNIT	AXW014B6UP00	S	1	1	1	1	1	1	1	1
C19	OVER FLOW HOSE B	AXW02346UP00		1	1	1	1	1	1	1	1
C20	EARTH WIRE UNIT	AXW003F6UP00	S	1	1	1	1	1	1	1	1
C21	MECHA-CASE UNIT	AXW020A6UP40C		1	1	1	1	1	1	1	1
C22	TUB UNIT	AXW002A7BR00		1 (EXC.)	1 (EXC.)	1 (EXC.)	1 (EXC.)	1 (EXC.)	1 (EXC.)	1 (EXC.)	1 (EXC.)
C23	RINSE CASE	AXW21715WP0D		1	1	1	1	1	1	1	1

Screws

REF. NO.	PART NAME	PART NO.	SAFETY	TH	MAL	SIN (LOCAL)	IND	UAE (ONE)	KUWAIT	QATAR	PHIL
1	SPECIAL TAPPING SCREW	XTWAXW518		8	8	8	8	8	8	8	8
2	SPECIAL TAPPING SCREW	XTWAXW519		8	8	8	8	8	8	8	8
3	SPECIAL TAPPING SCREW	XTWAXW518		6	6	6	6	6	6	6	6
4	PAN HEAD TAPPING SCREW	XTN4+8HFJ		1	1	1	1	1	1	1	1
5	SPECIAL BOLT	XVGAXW703J		1	1	1	1	1	1	1	1
6	SPECIAL BOLT	XVGAXW839J		2	2	2	2	2	2	2	2
7	SPECIAL BOLT	XVGAXW812J		4	4	4	4	4	4	4	4
8	SPECIAL BOLT	XTWAXW682J		2	2	2	2	2	2	2	2
9	SPECIAL TAPPING SCREW	XTWAXW6517J		6	6	6	6	6	6	6	6
10	SPECIAL TAPPING SCREW	XTWAXW6518J		3	3	3	3	3	3	3	3
11	SPECIAL TAPPING SCREW	XTWAXW531		2	2	2	2	2	2	2	2
12	SPECIAL BOLT	XVGAXW643J		1	1	1	1	1	1	1	1
13	SPECIAL BOLT	XVGAXW401S		1	1	1	1	1	1	1	1

9.7 Parts Exploded View - Packing



9.8.1 Replacement Part List : Packing for NA-F60A6**Parts List**

REF. NO.	PART NAME	PART NO.	SAFETY	TH	MAL	SIN (LOCAL)	IND	UAE (ONE)	OMAN	KUWAIT	QATAR	UAE (PGF)	SIN (EXP)	PHIL
1	PROTECTION CASE A	AXW90017BU00		1 (EXC.)										
		AXW90017BU50			1 (EXC.)		1 (EXC.)	1 (EXC.)	1 (EXC.)	1 (EXC.)	1 (EXC.)	1 (EXC.)	1 (EXC.)	1 (EXC.)
		AXW90017BUA0				1 (EXC.)								
2	CORNER CUSHION	AXW90156UP00		1 SET	1 SET	1 SET	1 SET	1 SET	1 SET	1 SET	1 SET	1 SET	1 SET	1 SET
		AXW90156UP50		1 SET	1 SET	1 SET	1 SET	1 SET	1 SET	1 SET	1 SET	1 SET	1 SET	1 SET
3	STOCK CARD	AXW99186UP00		1	1	1	1	1	1	1	1	1	1	1
4	PROTECTION CASE B UNIT	AXW090B7BU00		1 (EXC.)	1 (EXC.)	1 (EXC.)	1 (EXC.)	1 (EXC.)	1 (EXC.)	1 (EXC.)	1 (EXC.)	1 (EXC.)	1 (EXC.)	1 (EXC.)
5	POLYETHYLENE COVER	AXW90606UP00		1	1	1	1	1	1	1	1	1	1	1
6	OPERATING INSTRUCTION	AXW99017BT00		1										
		AXW99017BT50			1	1								
		AXW99017BTF0						1	1	1	1	1		
		AXW99017CK00					1							
7	SPIN TUB SUPPORTER	AXW90857BR00		1	1	1	1	1	1	1	1	1	1	1
8	ACCESSORY BEG	AXW90576UP00		1	1	1	1	1	1	1	1	1	1	1
9	BODY COVER	AXW90046UP00		1 SET	1 SET	1 SET	1 SET	1 SET	1 SET	1 SET	1 SET	1 SET	1 SET	1 SET

9.8.2 Replacement Part List : Packing for NA-F70A6 / NA-F756A**Parts List**

REF. NO.	PART NAME	PART NO.	SAFETY	TH	MAL	SIN (LOCAL)	IND	SIN (EXP)	TAIWAN	
1	PROTECTION CASE A	AXW90017BT00		1 (EXC.)						
		AXW90017BT50			1 (EXC.)			1 (EXC.)		
		AXW90017BTA0					1 (EXC.)			
		AXW90017CH00								1 (EXC.)
		AXW90017CK00						1 (EXC.)		
2	CORNER CUSHION	AXW90156UP00		1 SET	1 SET	1 SET	1 SET	1 SET	1 SET	
		AXW90156UP50		1 SET	1 SET	1 SET	1 SET	1 SET	1 SET	
3	STOCK CARD	AXW99186UP00		1	1	1	1	1	1	
4	PROTECTION CASE B UNIT	AXW090B7BR00		1	1	1	1	1	1	
5	POLYETHYLENE COVER	AXW90606UP00		1	1	1	1	1	1	
6	OPERATING INSTRUCTION	AXW99017BT00		1						
		AXW99017BT50			1	1		1		
		AXW99017CH00								1
		AXW99017CK00						1		
7	SPIN TUB SUPPORTER	AXW90857BR00		1	1	1	1	1	1	
8	ACCESSORY BAG	AXW90576UP00		1	1	1	1	1	1	
9	BODY COVER	AXW90046UP00		1 SET	1 SET	1 SET	1 SET	1 SET	1 SET	

9.8.3 Replacement Part List : Packing for NA-F70G6 / NA-F70G6P

Parts List

REF. NO.	PART NAME	PART NO.	SAFETY	NA-F70G6					NA-F70G6P			
				MAL	SIN (LOCAL)	UAE (ONE)	OMAN	QATAR	UAE (ONE)	KUWAIT	QATAR	UAE (PGF)
1	PROTECTION CASE A	AXW90017BS50		1 (EXC.)		1 (EXC.)	1 (EXC.)	1 (EXC.)				
		AXW90017BSA0			1 (EXC.)							
		AXW90017CJ00							1 (EXC.)	1 (EXC.)	1 (EXC.)	1 (EXC.)
2	CORNER CUSHION	AXW90156UP00		1 SET	1 SET	1 SET	1 SET	1 SET	1 SET	1 SET	1 SET	1 SET
		AXW90156UP50		1 SET	1 SET	1 SET	1 SET	1 SET	1 SET	1 SET	1 SET	1 SET
3	STOCK CARD	AXW99186UP00		1	1	1	1	1	1	1	1	1
4	PROTECTION CASE B UNIT	AXW090B7BR00		1	1	1	1	1	1	1	1	1
5	POLYETHYLENE COVER	AXW90606UP00		1	1	1	1	1	1	1	1	1
6	OPERATING INSTRUCTION	AXW99017BS50		1 (EXC.)								
		AXW99017BS50			1 (EXC.)							
		AXW99017BSF0				1 (EXC.)	1 (EXC.)	1 (EXC.)				
		AXW99017CJ00							1	1	1	1
7	SPIN TUB SUPPORTER	AXW90857BR00		1	1	1	1	1	1	1	1	
8	ACCESSORY BAG	AXW90576UP00		1	1	1	1	1				
9	BODY COVER	AXW90046UP00		1 SET	1 SET	1 SET	1 SET	1 SET	1 SET	1 SET	1 SET	

9.8.4 Replacement Part List : Packing for NA-F70X6 / NA-F806X

Parts List

REF. NO.	PART NAME	PART NO.	SAFETY	TH	MAL	SIN (LOCAL)	IND	UAE (ONE)	KUWAIT	QATAR	PHIL
1	PROTECTION CASE A	AXW90017BR00		1 (EXC.)							
		AXW90017BR50			1 (EXC.)			1 (EXC.)	1 (EXC.)	1 (EXC.)	1 (EXC.)
		AXW90017BRA0				1 (EXC.)					
		AXW90017CL00						1 (EXC.)			
2	CORNER CUSHION	AXW90156UP00		1 SET	1 SET	1 SET	1 SET	1 SET	1 SET	1 SET	1 SET
		AXW90156UP50		1 SET	1 SET	1 SET	1 SET	1 SET	1 SET	1 SET	1 SET
3	STOCK CARD	AXW99186UP00		1	1	1	1	1	1	1	1
4	PROTECTION CASE B UNIT	AXW090B7BR00		1 (EXC.)	1 (EXC.)	1 (EXC.)	1 (EXC.)	1 (EXC.)	1 (EXC.)	1 (EXC.)	1 (EXC.)
5	POLYETHYLENE COVER	AXW90606UP00		1	1	1	1	1	1	1	1
6	OPERATING INSTRUCTION	AXW99017BR00		1 (EXC.)							
		AXW99017BR50			1 (EXC.)	1 (EXC.)					
		AXW99017BRF0						1 (EXC.)	1 (EXC.)	1 (EXC.)	1 (EXC.)
		AXW99017CL00						1 (EXC.)			
7	SPIN TUB SUPPORTER	AXW90857BR00		1	1	1	1	1	1	1	1
8	ACCESSORY BAG	AXW90576UP00		1	1	1	1	1	1	1	
9	BODY COVER	AXW90046UP00		1 SET	1 SET	1 SET	1 SET	1 SET	1 SET	1 SET	1 SET

DETAIL CHANGE NOTICE

REVISION	ITEM NO.	PAGE	DETAIL	REMARK
MAY. 2011	1	1	REVISE EXPORT COUNTRIES	FOR NA-F70G6P
	2	24	ADD PARTS AND PICTURES	FOR PUMP MODEL
	3	27	ADD PARTS NAME AND NUMBER	FOR PUMP MODEL
	4	29	REVISE PART AND SET MODEL	FOR PUMP MODEL
	5	32	ADD PARTS NAME, NUMBER AND Q'TY	FOR PUMP MODEL