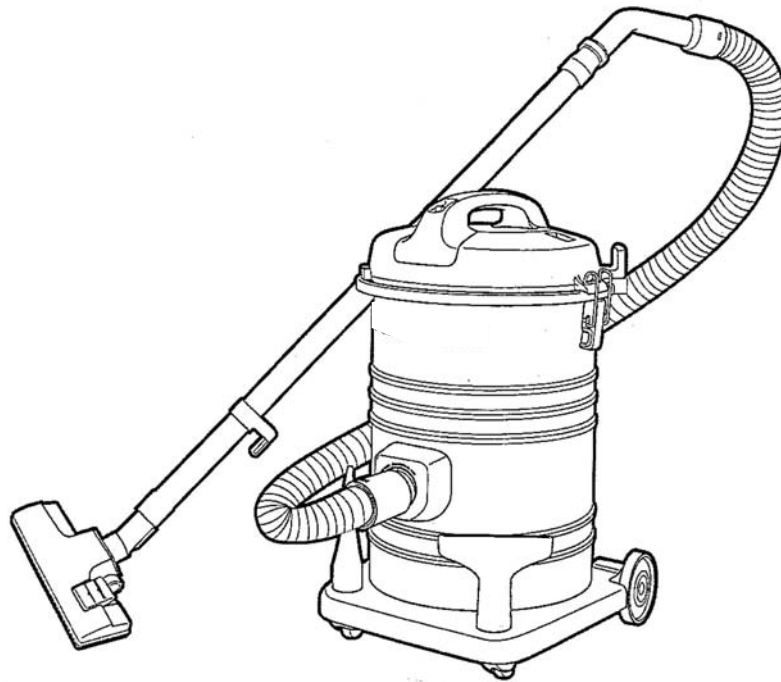


Service Manual

Vacuum Cleaner
MC-YL695K/MC-YL697K



SPECIFICATION

MODEL	MC-YL697K	MC-YL695K
POWER SOURCE	220V ~ 240V	
FREQUENCY (Hz)	50/60Hz, 50Hz	
MOTOR POWER	2100W	1900W
DIMENSIONS (W x L x H)	590mmX390mmX330mm	
NETT WEIGHT (kg)	7.2 kg	7.1 kg
EXTENSION WANDS	METAL	
FLOOR NOZZEL	Bottom Plastic	
ATTACHMENTS	Hose, Extension Wand, Floor Nozzle, Curved Ward, Crevice Nozzle, Upholstery Nozzle	

⚠ WARNING

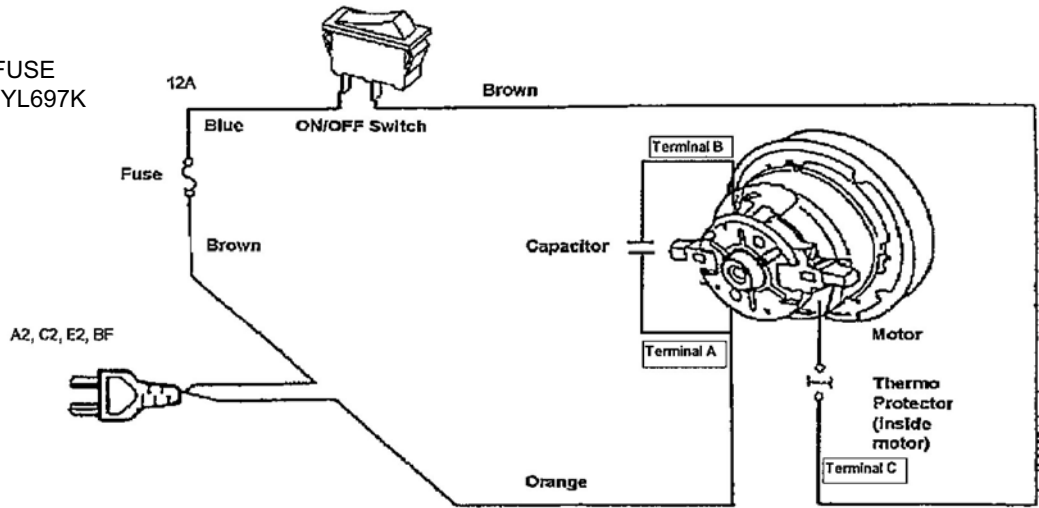
This service information is designed for experienced repair technicians only and is not designed for use by the general public. It does not contain warnings or cautions to advise non-technical individuals of potential dangers in attempting to service a product. Products powered by electricity should be serviced or repaired only by experienced professional technicians. Any attempt to service or repair the product or products dealt with in this service information by anyone else could result in serious injury or death.

Panasonic

© 2009 Panasonic Manufacturing Malaysia Berhad (6100-K). Unauthorized copying and distribution is a violation of law.

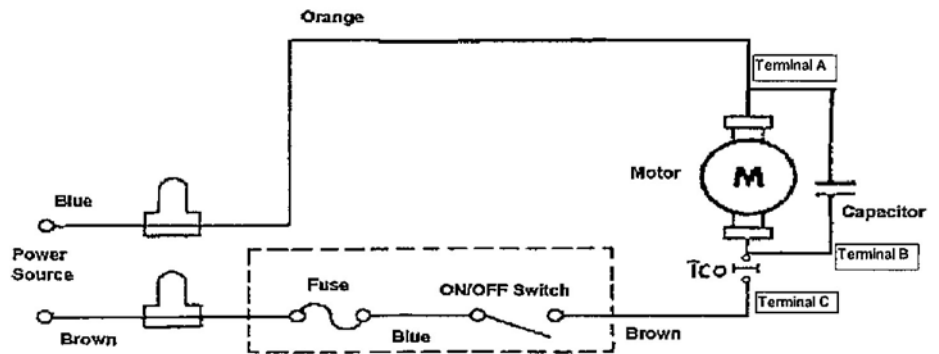
PICTORIAL DIAGRAM

AC220-240V 50/60Hz
 WITH CAPACITOR AND FUSE
 MODEL: MC-YL695K/MC-YL697K
 CORD: A2,C2,E2,BF

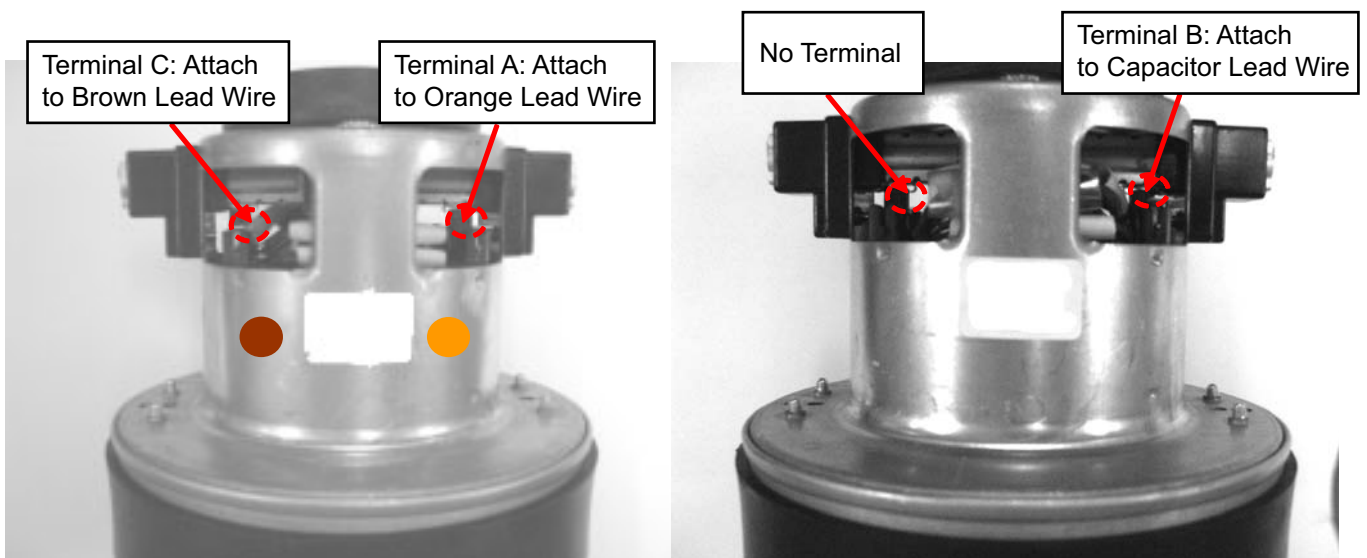


SCHEMATIC DIAGRAM

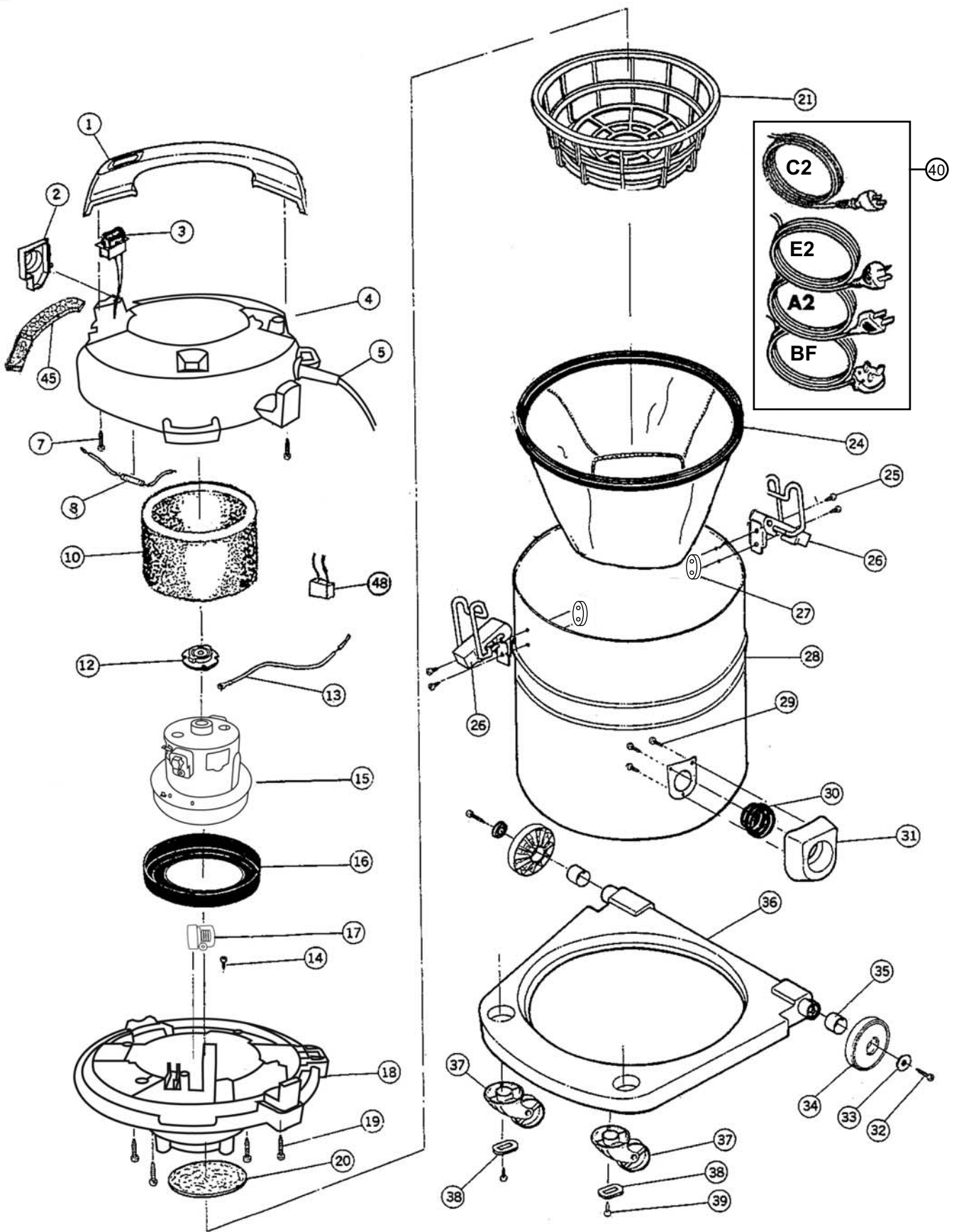
AC220-240V 50/60Hz
 WITH CAPACITOR AND FUSE
 MODEL: MC-YL695K/MC-YL697K
 CORD: A2,C2,E2,BF



MOTOR TERMINAL



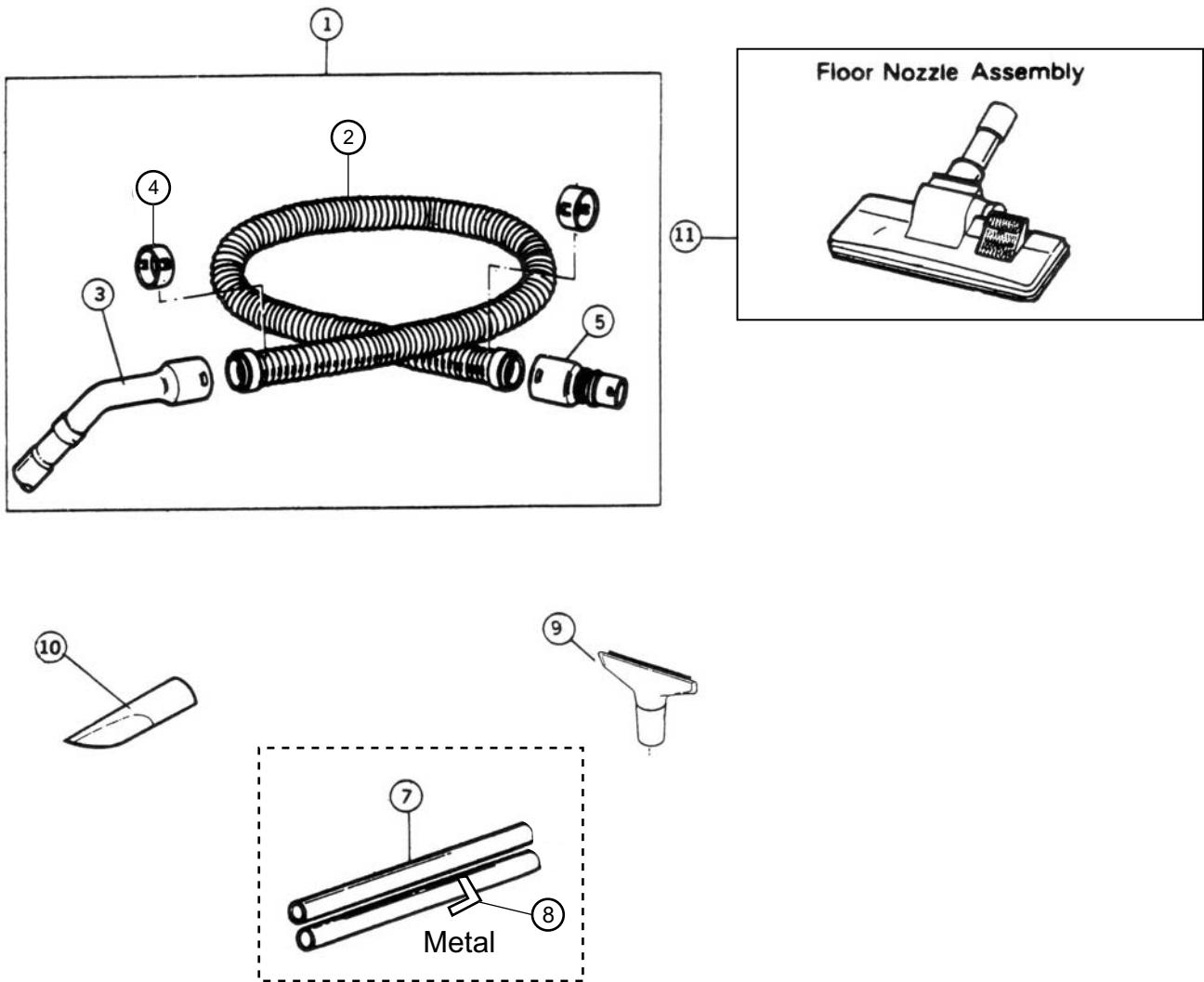
EXPLODED VIEW



REPLACEMENT PART LIST

REF. NO.	PART NAME	PART NO.	MODEL		REMARKS
			MC-YL697K	MC-YL695K	
1	HANDLE	YMV01B810K0	1	1	
2	BLOWER OULET UNIT	YMC96LDD1V0	1	1	
3	MAIN SWITCH ASSY	YMV98E8100C	1	1	
4	BODY COVER	YMV24A990K0	-	1	
4	BODY COVER	YMV24A810K0	1	1	
5	CORD BUSHING	YMC51EBY000	1	2	
7	TRUSS TAP SCREW	XTT4+20BFJ	2	1	
8	FUSE UNIT (12A)	YMV97W8100C	1	1	
10	NOISE ABSORBER UNIT	YMV99G81000	1	1	
12	REAR MOTOR SUPPORT	YMC03FSG000	1	1	
13	LEAD WIRE BLACK	YMR083R170U	1	1	
14	PAN SCREW	XTN4+12BFJ	1	1	
15	MOTOR UNIT GY29 (1904)	YMV92F8000C	-	1	
15	MOTOR UNIT GY35 (2104)	YMV92F8100C	1	-	
16	FRONT MOTOR SUPPORT	YMC02FQU000	1	1	
17	INDICATOR PIPE UNIT	YMV99M81000	1	1	
18	UPPER BODY	YMV02A810K0	1	1	
19	PAN HEAD RECESS SCREW	XTN4+25BFJ	4	4	
20	FILTER	YMV30K81000	1	1	
21	EXPANDER	YMC18KDD000	1	1	
24	CLOTH BAG UNIT	YMV99K81000	1	1	
25	PAN HEAD RECESS SCREW	XTN4+12BFJ	4	4	
26	BUCKLE UNIT	YMV99D81000	2	2	
27	BUCKLE KNOB	YMV32D81000	2	2	
28	LOWER BODY 697	YMV03A810S0	1	-	
28	LOWER BODY 695	YMV03A800L0	-	1	
29	TRUSS TAP SCREW	XTT35+16BFJ	3	1	
30	AIR VALVE GROMMET	YMC50KJ3100	1	1	
31	FRONT COVER	YMC01HDD0K0	1	2	
32	PAN TAP SCREW	XTN4+16BFJ	2	2	
33	WHEEL CAP	YMC05CL91H0	2	2	
34	WHEEL	YMC01C941V0	2	2	
35	WHEEL SUPPORTER	YMC02C97000	2	1	
36	FRAME	YMC43A0E0K0	1	2	
37	CASTER UNIT	YMC95C0E1H0	2	2	
38	WASHER	YMC26CB0100	2	2	
39	PAN TAP SCREW	XTN4+16BFJ	2	1	
40	POWER CORD W/PLUG BF (1.00mm ²)	YMC93EVG108T	1	1	SAUDI KUWAIT HONG KONG
40	POWER CORD W/PLUG C2 (1.00mm ²)	YMC96EVH10LT	1	1	EGYPT, MIDDLE EAST, SINGAPORE, FIJI
40	POWER CORD W/PLUG E2 (1.00mm ²)	YMC91EVG00ET	1	-	IRAN
40	POWER CORD W/PLUG A2 (1.00mm ²)	YMC97ENS20B	-	1	THAILAND
45	OUTLET FILTER	YMV30L8100	1	1	
48	CAPACITOR (0.22)	YMV46F61000	1	1	

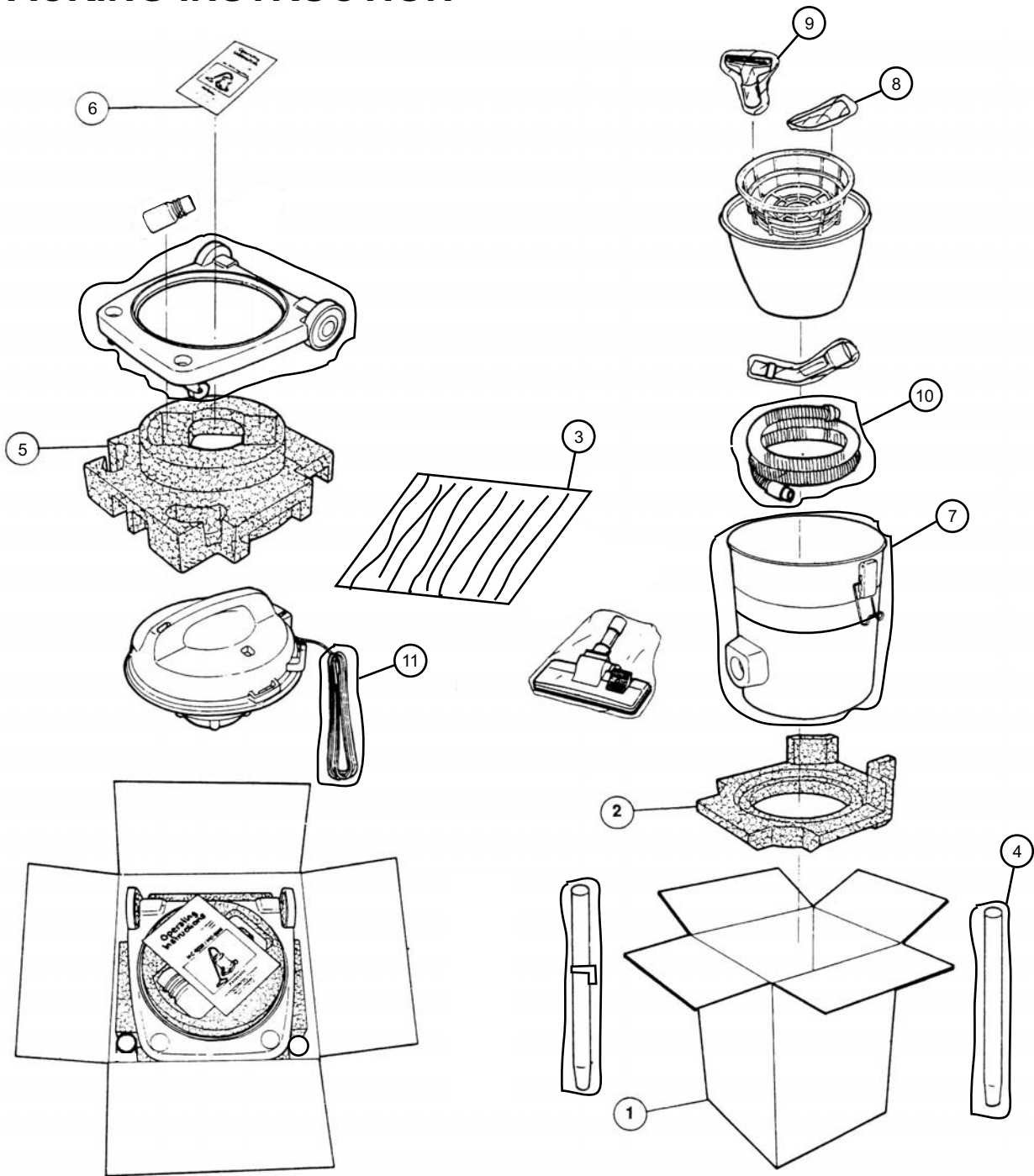
EXPLODE VIEW (ATTACHMENT)



ATTACHMENT PART LIST

REF. NO.	PART NAME	PART NO.	MODEL		REMARKS
			MC-YL697K	MC-YL695K	
1	HOSE ASSY	YMC94PDD0V0	1	1	
2	HOSE	AMC01PDD0V0	1	1	
3	CURVED WAND UNIT	YMC98P4Y000	1	1	
4	HOSE SUPPERTOR	AMC24P-0R0V0	2	2	
5	CONNECTION PIPE	YMC02P0R0V0	1	1	
7	EXTENSION WAND UNIT	YMC40P81000	1	1	METAL
8	EXTENSION WAND HOLDER	YMV70P81000	1	1	
9	UPHOLSTERY NOZZLE	YMC68R861V0	1	1	
10	CREVICE NOZZLE	YMC60R0G2V0	1	1	
11	FLOOR NOZZLE ASSY	YMC99RXQ000	1	1	

PACKING INSTRUCTION



PACKING LIST

REF. NO.	PART NAME	PART NO.	MODEL		REMARKS
			MC-YL697K	MC-YL695K	
1	CARTON BOX 697	YMV61Z81000	1	-	
1	CARTON BOX 695	YMV61Z80000	-	1	
1	CARTON BOX 697 (EGYPT)	YMV61Z8100X	1	-	
1	CARTON BOX 695 (EGYPT)	YMV61Z800X	-	1	
2	CUSHION BOTTOM	YMV70Z81000	1	1	
3	PE LINER	YMC79ZVH000	1	1	
4	EXTENSION WAND BAG	YMV14Z81000	1	1	
5	CUSHION TOP	YMV69Z81000	1	1	
6	INSTRUCTION MANUAL	YMV01Z8100C	1	1	MIDDLE EAST & EGYPT
6	INSTRUCTION MANUAL	YMV01Z8100B	-	1	FIJI & ASIA
7	BODY BAG	YMV10Z81000	1	1	
8	CREVICE NOZZLE BAG	YMV20Z81000	1	1	
9	UPHOLSTERY NOZZLE BAG	YMV37Z81000	1	1	
10	HOSE BAG	YMV11Z81000	1	1	
11	POWER CORD BAG	YMV19Z81000	1	1	