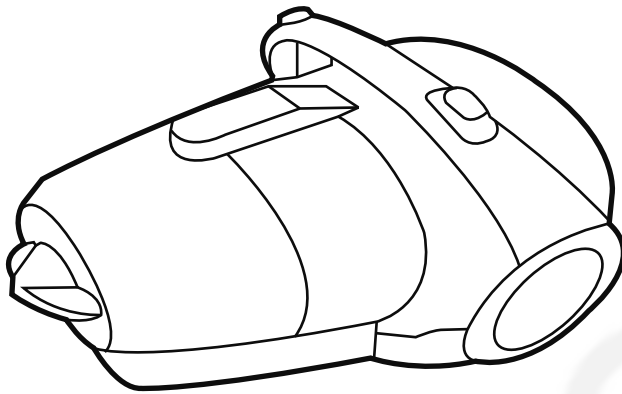
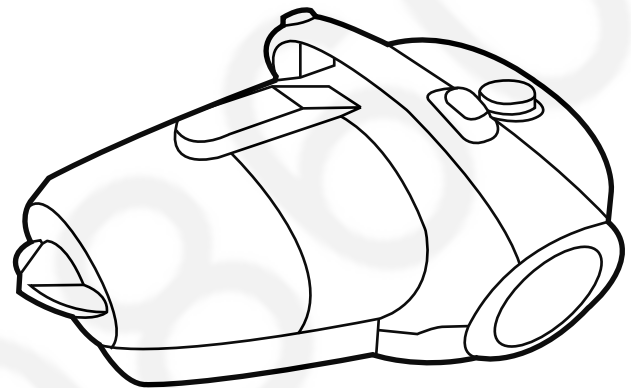


# Service Manual

Vacuum Cleaner

**MC-CL481****MC-CL483****MC-CL485****MC-CL481****MC-CL483/MC-CL485**

## SPECIFICATION

MODEL	MC-CL481	MC-CL483	MC-CL485
POWER SOURCE	120V/220V/220-240V/230-240V/230V/240V		
FREQUENCY ( Hz )	50/60Hz, 50Hz		
MOTOR POWER	1400W/1500W/1600W	1400W/1800W	
DIMENSIONS ( W x L x H )	290mm X 425mm X 317mm		
NETT WEIGHT (kg)	5.0 kg	5.1 kg	
CLOSE SUCTION	1650mmH <sub>2</sub> O Or More.		
EXTENSION WANDS	Metal X 2 / Plastic X 2	Telescopic / Metal X 2	Telescopic
FLOOR NOZZEL	2-Step	Turbine / 2-Step	Turbine
ATTACHMENTS	Hose, Extension Wand, Floor Nozzle, Curved Ward, Crevice Tool, Dusting Brush		

### **WARNING**

This service information is designed for experienced repair technicians only and is not designed for use by the general public. It does not contain warnings or cautions to advise non-technical individuals of potential dangers in attempting to service a product. Products powered by electricity should be serviced or repaired only by experienced professional technicians. Any attempt to service or repair the product or products dealt with in this service information by anyone else could result in serious injury or death.

## CONTENTS

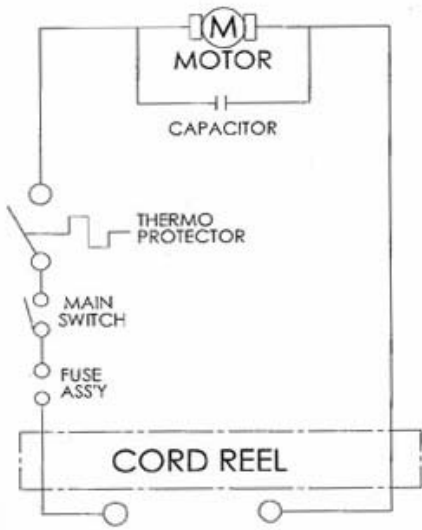
	Page		Page
SPECIFICATION.....	1	ATTACHMENT EXPLODED VIEW.....	6
SCHEMATIC DIAGRAM.....	2	ATTACHMENT REPLACEMENT PART LIST.....	6
EXPLODED VIEW.....	3	DISASSEMBLY PROCEDURES.....	7-12
REPLACEMENT PARTS LIST.....	4-5	PACKING INSTRUCTION AND PACKING LIST.....	13

# Panasonic

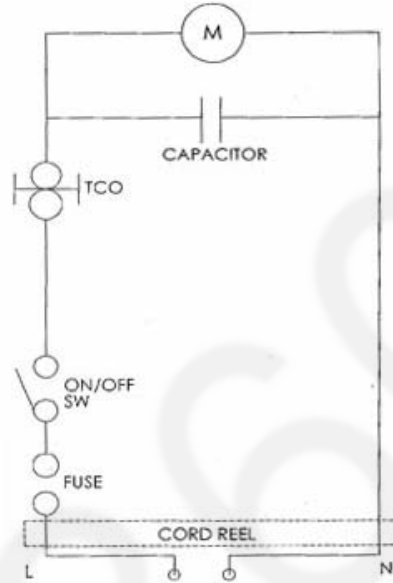
© 2008 Panasonic Manufacturing Malaysia Berhad (6100-K). Unauthorized copying and distribution is a violation of law.

# SCHEMATIC DIAGRAM

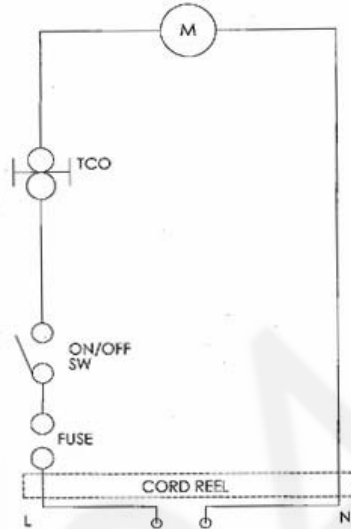
MODEL:CL481



(EURO/UK/SWITZERLAND)

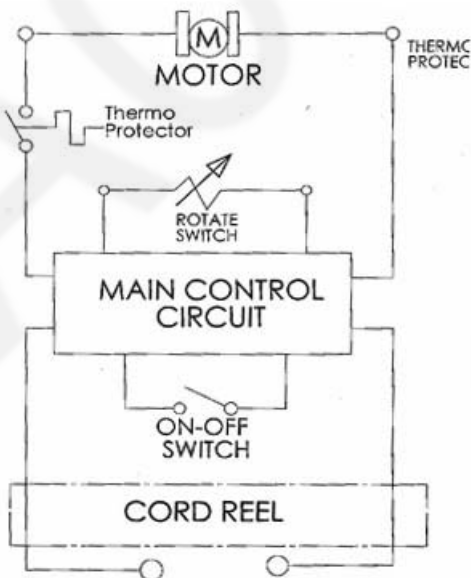


(SAUDI ARABIA)

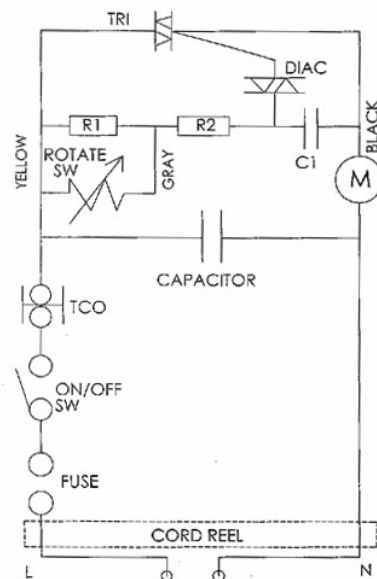


(MALAYSIA/HONG KONG/SINGAPORE  
THAILAND/KUWAIT/MID EAST/IRAN)

MODEL:CL483/485

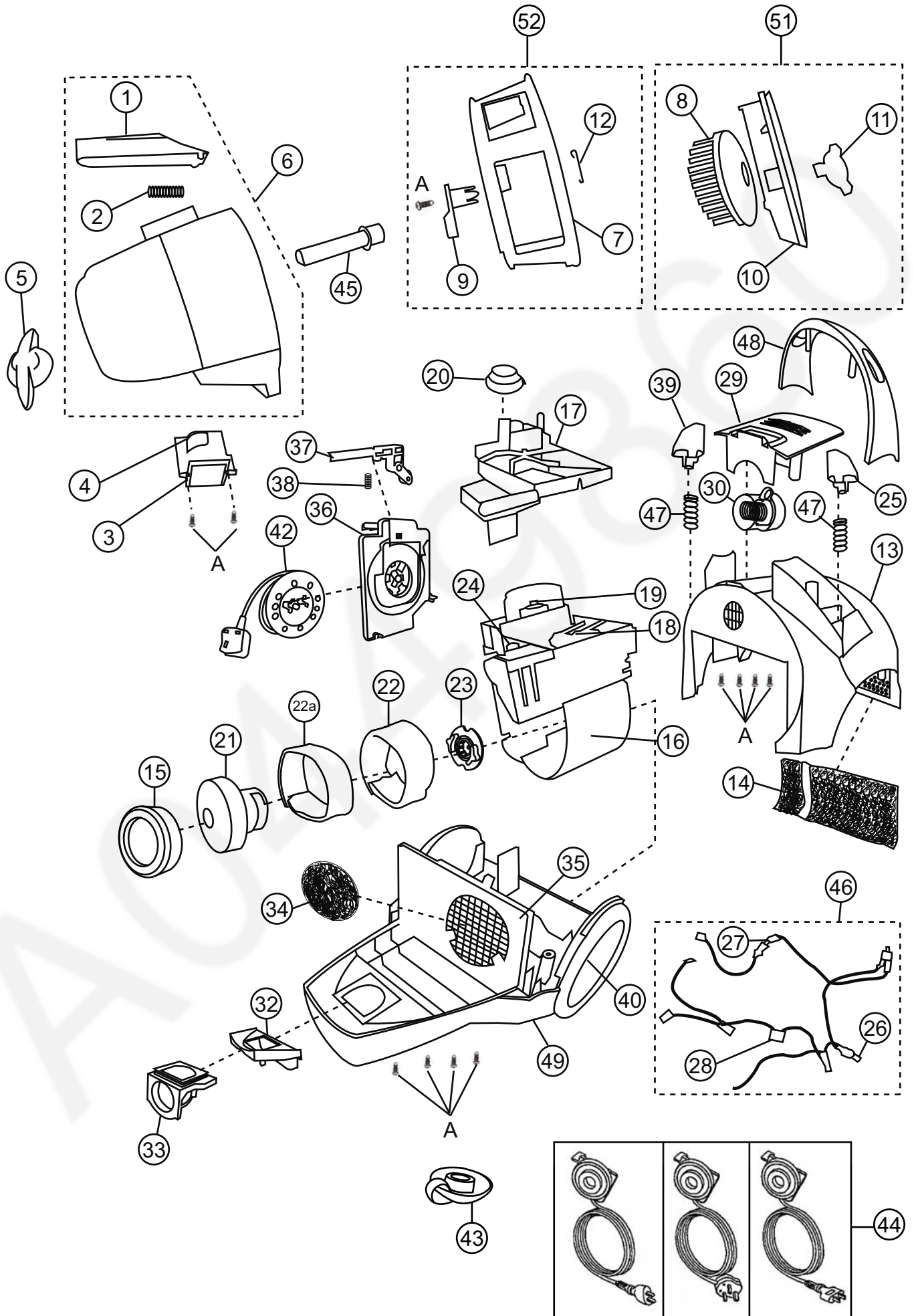


(EURO/UK/SWITZERLAND)



(MALAYSIA/HONG KONG/SINGAPORE  
THAILAND/KUWAIT/MID EAST/IRAN)

# EXPLODED VIEW



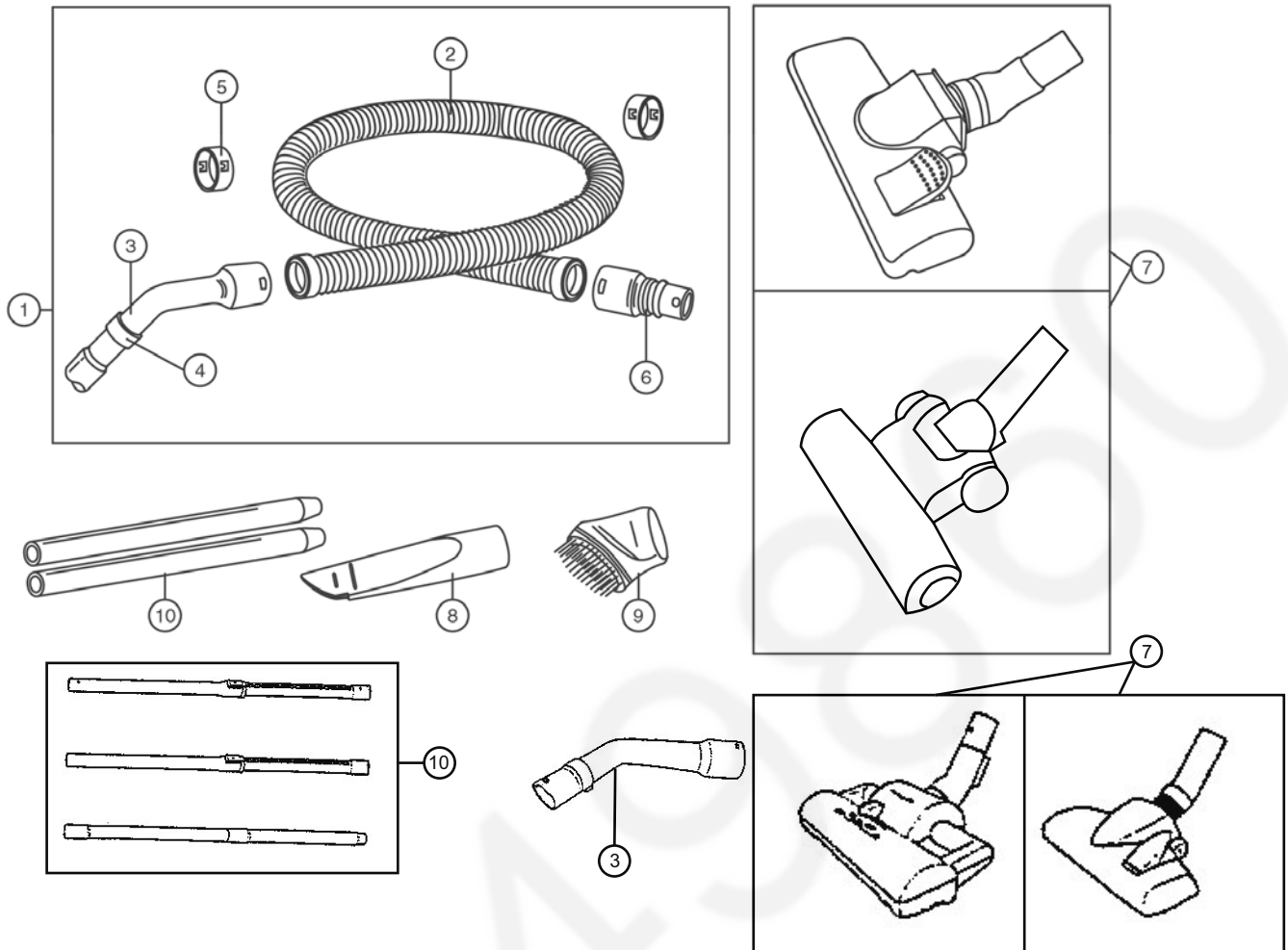
# REPLACEMENT PARTS LIST

REF. NO.	PART NAME	PART NO.	MODEL			REMARKS
			MC-CL481	MC-CL483	MC-CL485	
1	BUCKLE	YMV01D63000	1	1	1	
2	BUCKLE SPRING	YMV04D61000	1	1	1	
3	SUCTION INLET	YMV60H61000	1	1	1	
4	VALVE GROMMET	YMC50KSG000	1	1	1	
5	FILTER KNOB	YMV35K610S0	-	1	1	SILVER
5	FILTER KNOB	YMV35K610R0	1	-	-	RED
5	FILTER KNOB	YMV35K610B0	1	-	-	BLUE
6	DUST COMPARTMENT ASSY	YMV88K610S0	-	-	1	
6	DUST COMPARTMENT ASSY	YMV88K620S0	-	1	-	
6	DUST COMPARTMENT ASSY	YMV88K630B0	1	-	-	
6	DUST COMPARTMENT ASSY	YMV88K630R0	1	-	-	
7	PRE-FILTER	YMV43K61000	1	1	1	
8	FILTER UNIT	YMV95K61000	1	-	1	
9	FLITER PRESSER	YMV31K61000	1	1	1	
10	SLIDER SUPPORTER	YMV53K61000	1	1	1	
11	SLIDER	YMV48K61000	1	1	1	
12	SPRING FILTER	YMV49K61000	1	1	1	
13	UPPER BODY	YMV02A610S0	-	1	1	SILVER
13	UPPER BODY	YMV02A610R0	1	-	-	RED
13	UPPER BODY	YMV02A610B0	1	-	-	BLUE
14	EXHAUST FILTER	YMV02L61000	1	1	1	
15	MOTOR SUPPORT RUBBER FRONT	YMC02FQU000	-	1	1	
15	MOTOR SUPPORT RUBBER FRONT	YMC02FYX000	1	-	-	
16	MOTOR COVER	YMV63F6100	-	1	1	1800
16	MOTOR COVER	YMV63F6300C	1	-	-	1600
16	MOTOR COVER	YMV63F6300U	1	-	-	1400
17	MOTOR CASE PLATE	YMV17F6100U	-	1	1	
17	MOTOR CASE PLATE	YMV17F61000	1	-	-	
18	PCB ASSY	YMV89V6100E	-	1	1	
19	ROTARY VOLUME	YMNQWH118	-	1	1	
20	SWITCH KNOB	YMV04E61000	-	1	1	
21	MOTOR UNIT	YMV92F6200B	-	1	-	1802
21	MOTOR UNIT	YMV92F6200C	-	1	1	1804
21	MOTOR UNIT	YMV92F6200E	-	1	1	1803
21	MOTOR UNIT	YMC92FRT00C	1	-	-	1604
21	MOTOR UNIT	YMC92FSG00K	1	-	1	1401 UL
21	MOTOR UNIT	YMV92F4W00B	1	-	-	1402
21	MOTOR UNIT	YMV92F4W00C	1	-	-	1404
22	NOISE SUPPRESSOR UNIT	YMC99GMW100	1	1	1	
22a	NOISE ABSORBER SIDE	YMC20G61000	-	-	1	
23	MOTOR SUPPORT RUBBER REAR	YMV03F61000	-	1	1	1800
23	MOTOR SUPPORT RUBBER REAR	YMC03FSG000	1	1	1	1400
23	MOTOR SUPPORT RUBBER REAR	YMC03FPQ000	1	-	-	1600
24	SWITCH ON/OFF	YMC01EUF000	1	1	1	
25	SWITCH PEDAL	YMV05E61000	1	1	1	
26	THERMO PROTECTOR	YMV20W6200	1	1	1	
26	THERMO PROTECTOR	YMV20W6300	1	1	1	
27	FUSE UNIT	YMV99W62000	1	1	1	
27	FUSE UNIT	YMV99W6100U	1	1	1	
28	CAPACITOR	YMV46F61000	1	1	1	0.22
28	CAPACITOR	YMV46F62000	1	1	1	0.47
29	INDICATOR PLATE	YMV94M61000	-	1	1	SILVER ( 1800W )
29	INDICATOR PLATE	YMV94M6100K	-	1	1	SILVER ( USA )
29	INDICATOR PLATE	YMV94M6200T	-	1	-	SILVER ( 1400W )
29	INDICATOR PLATE	YMV94M6300ER	1	-	-	RED ( 1600W )
29	INDICATOR PLATE	YMV94M6300EB	1	-	-	BLUE ( 1600W )
29	INDICATOR PLATE	YMV94M63000R	1	-	-	RED ( 1500W )
29	INDICATOR PLATE	YMV94M63000B	1	-	-	BLUE ( 1500W )
29	INDICATOR PLATE	YMV94M6300TR	1	-	-	RED ( 1400W )
29	INDICATOR PLATE	YMV94M6300TB	1	-	-	BLUE ( 1400W )
29	INDICATOR PLATE	YMV94M6300CR	1	-	-	RED ( 1500W )
29	INDICATOR PLATE	YMV94M6300CB	1	-	-	BLUE ( 1500W )
30	INDICATION UNIT	YMC99MSG100	1	1	1	
32	SUCTION INLET PACKING	YMV64H61000	1	1	1	

# REPLACEMENT PARTS LIST

33	FRONT COVER	YMV01H61000	1	1	1	
34	FILTER	YMV30K61000	1	1	1	
35	FILTER SUPPORRTER	YMV32K61000	1	1	1	
36	BODY PARTITION UNIT	YMV96A63000	1	1	1	
36	BODY PARTITION UNIT	YMV96A6300U	-	-	1	
37	BRAKE LEVER UNIT	YMV94N61000	1	1	1	
38	SPRING BRAKE BUTTON	YMV71N61000	1	1	1	
39	BRAKE PEDAL	YMV04E61000	1	1	1	
40	WHEEL	YMC01CLE0V0	2	-	-	
40	WHEEL	YMV01C61000	-	2	2	SOFT WHEEL
42	CORD REEL UNIT	YMV99N61008	1	1	1	UK, MALAYSIA, H.KONG, S.ARBIA, KUWAIT
42	CORD REEL UNIT	YMV99N6100E	1	1	1	CONTINENTAL, IRAN
42	CORD REEL UNIT	YMV99N6100L	1	1	1	SWITZERLAND, SINGAPORE, M. EAST
42	CORD REEL UNIT	YMC99NYX30U	-	-	1	CANADA
42	CORD REEL UNIT	YMV99N6200S	-	1	-	SINGAPORE
42	CORD REEL UNIT	YMV99N6200P	-	1	-	THAILAND
42	CORD REEL UNIT	YMV99N6300C	1	-	-	SINGAPORE, S.ARBIA, KUWUIT
42	CORD REEL UNIT	YMV99N6300B	1	-	-	SINGAPORE, M. EAST
42	CORD REEL UNIT	YMV99N6300S	1	-	-	SINGAPORE
42	CORD REEL UNIT	YMC99NYX30B	1	-	-	THAILAND
42	CORD REEL UNIT	YMV99N6300E	1	-	-	IRAN
43	CASTER UNIT	YMV95C61000	-	1	1	SOFT ROLLER
43	CASTER UNIT	YMC95C7K100	1	-	-	
44	POWER CORD	YMV93E4Y008	1	1	1	PATELEC C3 1.0 UK
44	POWER CORD	YMC91EXQ00E	1	1	1	PATELEC E2 1.0
44	POWER CORD	YMC96ERT00L	1	1	1	PATELEC C2 1.0
44	POWER CORD	YMC97EME10K	-	-	1	TA HSING USA
44	POWER CORD	YMC97EQV30T	1	1	-	TA HSING A2 1.25 TAIWAN
44	POWER CORD	YMC93E6200S	-	1	-	TA HSING C3 1.0 SINGAPORE
44	POWER CORD	YMC97ETB00B	-	1	-	TA HSING A2 1.0 THAILAND
44	POWER CORD	YMV93E4W008	1	-	-	PATELEC C3 0.75 UK
44	POWER CORD	YMV96E4W000	1	-	-	PATELEC C2 0.75
44	POWER CORD	YMC93EYX00S	1	-	-	TA HSING C3 0.75 SINGAPORE
44	POWER CORD	YMC97EFW00B	1	-	-	TA HSING A2 0.75 THAILAND
44	POWER CORD	YMC97EFW1	1	-	-	WANDERFUL A2 0.75 THAILAND
44	POWER CORD	YMV91E4W00E	1	-	-	PATELEC E2 0.75
45	CRANK SHAFT	YMV54K61000	1	1	1	
46	LEAD WIRE UNIT	YMV69V63-OE	-	1	1	
46	LEAD WIRE UNIT	YMV69V63-OT	1	-	-	
47	SWITCH PEDAL SPRING	YMV08E61000	2	2	2	
48	HANDLE	YMV01B6100	1	1	1	
49	LOWER BODY ASSY	YMV97A61000	-	1	1	
49	LOWER BODY ASSY	YMV97A63000	1	-	-	
51	FILTER UNIT ASSY	YMC84K61000	1	1	1	
52	PRE FITER ASSY	YMC43K61000	1	1	1	
A	SCREW	XTN4+20BFJ	12	12	12	
B	SCREW	XTN4+14GJ	3	3	3	

# ATTACHMENT EXPLODED VIEW



# ATTACHMENT REPLACEMENT PART LIST

REF. NO.	PART NAME	PART NO.	MODEL			REMARKS
			MC-CL481	MC-CL483	MC-CL485	
1	HOSE ASS'Y	YMC94P-6L0V0	1	1	1	
2	HOSE UNIT	YMC84P-6L0V0	1	1	1	
3	CURVED WAND	YMC30P-0R0V0	1	1	-	NO HOLE
(3)	CURVED WAND	YMV30P61000	-	-	1	HOLE
4	SUCTION REGULATOR	YMC54P-7K0V0	1	1	1	
5	HOSE SUPPORTER	YMC24P-0R0V0	2	2	2	
6	CONNECTION PIPE	YMC02P-0R0V0	1	1	1	
7	FLOOR NOZZEL ASS'Y	YMV99R62000	-	-	1	
(7)	FLOOR NOZZEL ASS'Y	YMC99RXQ000	1	1	-	
(7)	FLOOR NOZZEL ASS'Y	YMC99RXQ00G	-	1	-	IONIZER TURBINE
(7)	FLOOR NOZZEL ASS'Y	YMV99R61000	-	-	1	3 IN 1
8	CREVICE NOZZEL	YMC60RXQ000	1	1	1	
9	DUSTING BRUSH ASSY	YMC88RYX0V0	1	1	1	
10	EXTENSION WAND	YMC40P-B12V0	2	-	-	PLASTIC GREY
(10)	EXTENSION WAND	YMC40PQN000	2	2	-	METAL
(10)	EXTENSION WAND	YMV99P61000	-	-	1	TELESCOPIC HOLE
(10)	EXTENSION WAND	YMV99P62000	-	1	-	TELESCOPIC W/O HOLE

# DISASSEMBLY PROCEDURES

Push the Buckle forward.  
(Fig.1)



(Fig.1)

Pull the Dust Compartment Assembly upward.  
(Fig.2)



(Fig.2)

Remove the Crevice Tool from its compartment.  
(Fig.3)



(Fig.3)

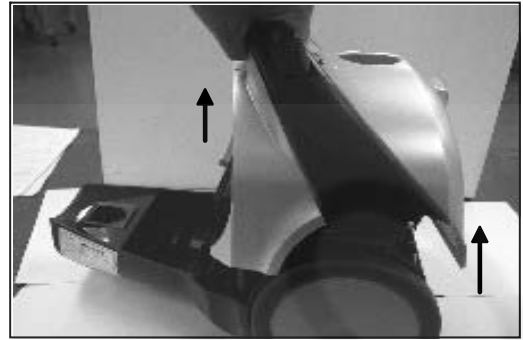
Remove the 4 pcs screw for Lower Body.  
(Fig.4)



(Fig.4)

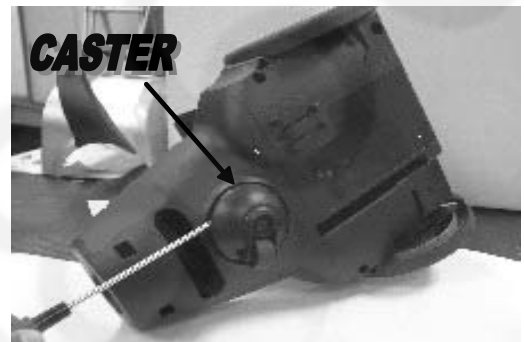
# DISASSEMBLY PROCEDURES

Pull up the Upper Body Assy.  
(Fig.5)



(Fig.5)

Remove the Caster Unit by a minus (-) screwdriver.  
(Fig.6)



(Fig.6)

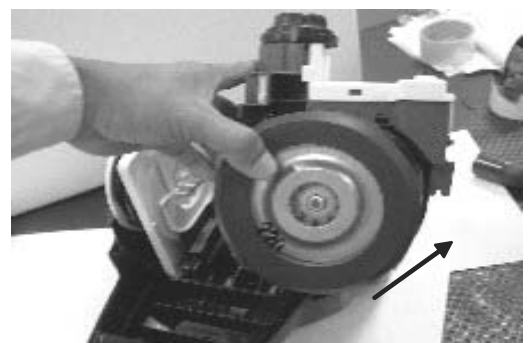
Remove the Filter Support from the compartment.  
(Fig.7)

Note:- Check the condition of the filter,  
if damage change a new piece.



(Fig.7)

Remove the Motor Cover Unit from the Lower Body.  
(Fig.8)



(Fig.8)



# DISASSEMBLY PROCEDURES

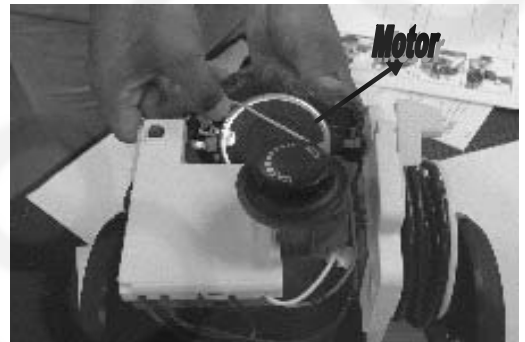
Remove the Motor Unit from the Motor Cover.  
(Fig.9)



(Fig.9)

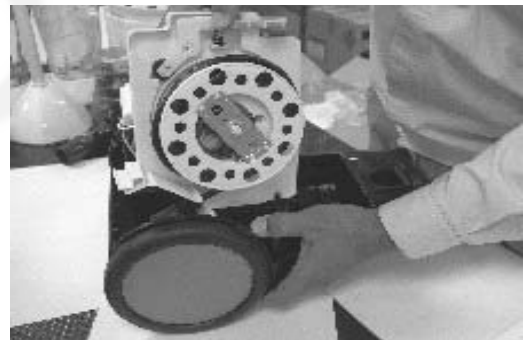
Pull the Wire Terminal from the Motor unit.  
(Fig.10)

Note:- Pull the wire terminal, do not pull the wire because it may break off from it terminal.



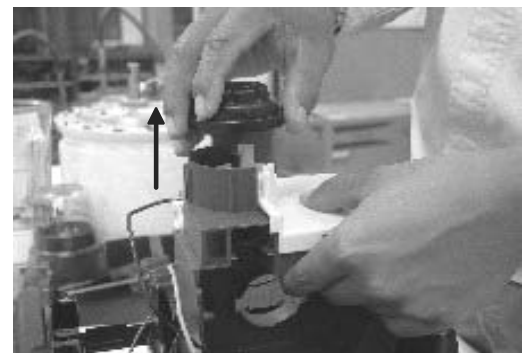
(Fig.10)

Remove Cord Reel Unit upward.  
(Fig.11)



(Fig.11)

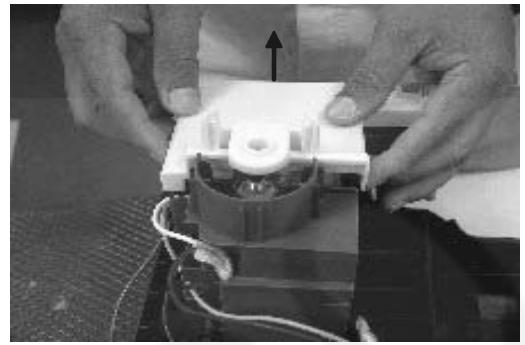
Pull up the Switch Knob.  
(Only for model MC-CL483/485)  
(Fig.12)



(Fig.12)

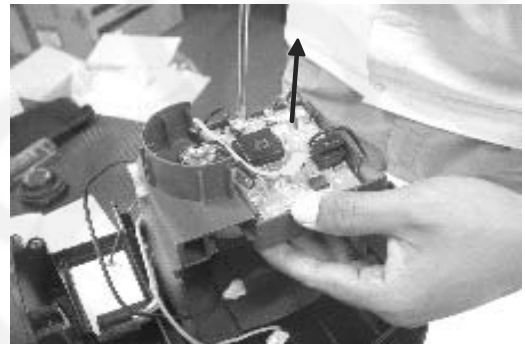
# DISASSEMBLY PROCEDURES

Take out the Metal Case plate.  
(Fig.13)



(Fig.13)

Remove the P.C.B.  
(Fig.14)



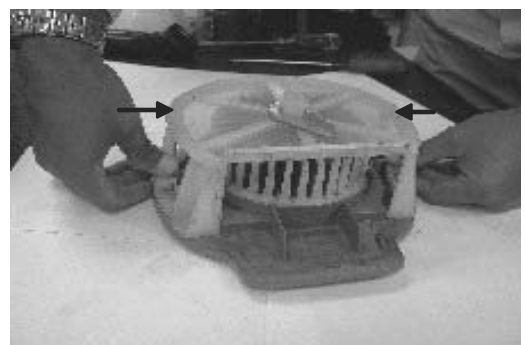
(Fig.14)

Pull the Filter Ass'y as shown in the diagram.  
(Fig.15)



(Fig.15)

Push the lock at Slider Supporter to remove the Pre-Filter.  
(Fig.16)



(Fig.16)

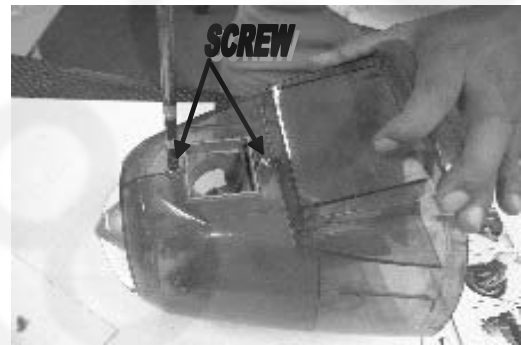
# DISASSEMBLY PROCEDURES

Clean the Filter Unit by turning the Slider clockwise and anticlockwise.  
(Fig.17)



(Fig.17)

Turn the Dust Compartment Assembly up side down and remove 2 pcs screw.  
(Fig.18)



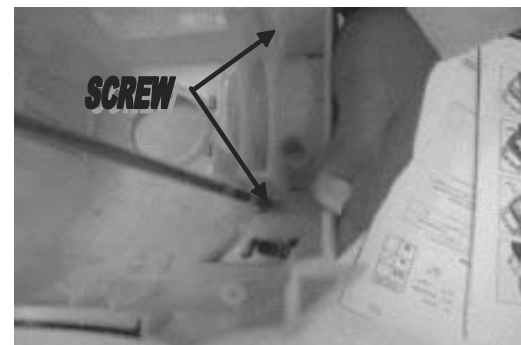
(Fig.18)

Push inside the Dust Compartment and pull the suction Inlet upward.  
(Fig.19)



(Fig.19)

Remove the 2 pcs screw from bottom Upper Body.  
(Fig.20)



(Fig.20)

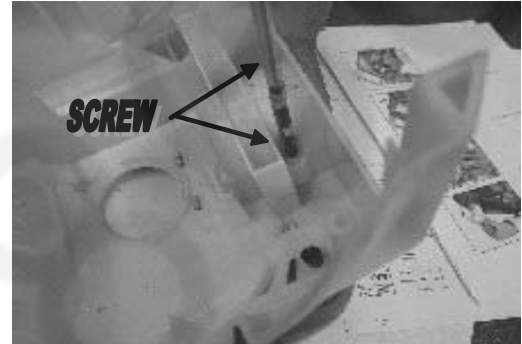
# DISASSEMBLY PROCEDURES

Remove the Handle Cover.  
(Fig.21)



(Fig.21)

Remove the 2 pcs screw from bottom  
Upper Body .  
(Fig.22)



(Fig.22)

Remove the Indicator Plate.  
(Fig.23)



(Fig.23)

Remove the Indicator Unit.  
(Fig.24)



(Fig.24)

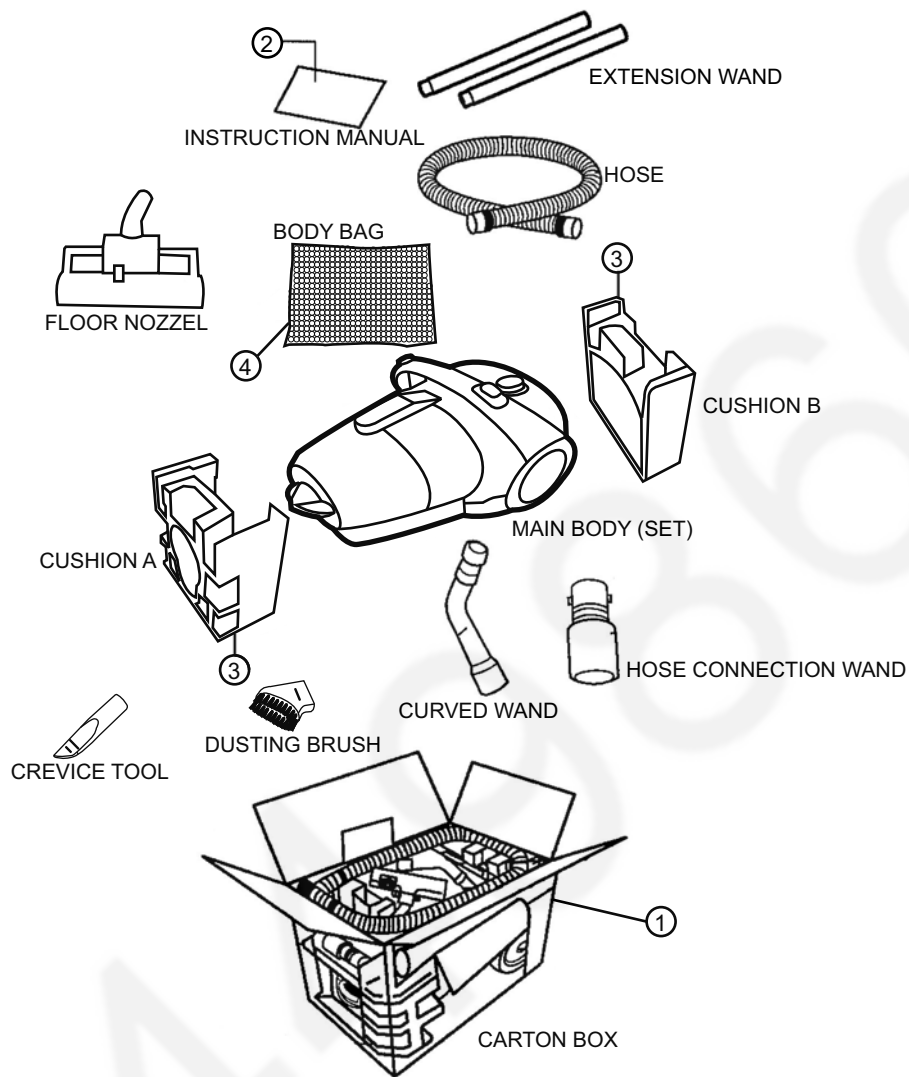
# REASSEMBLY PROCEDURES

Assemble in reverse order.

## REMINDER

Above are the complete disassembly procedure, for certain repairing method you might not need to dismantle other unnecessary part.

# PACKING INSTRUCTION



# PACKING LIST

REF. NO	PART NAME	PART NO.	QTY	REMARKS
1	CARTON BOX	YMV61Z6100E	1	CONTINENTAL, UK, SWITZERLAND
(1)	CARTON BOX	YMV61Z6100U	1	USA, CANADA
(1)	CARTON BOX	YMV61Z6200E	1	CONTINENTAL, UK, SWITZERLAND
(1)	CARTON BOX	YMV61Z62000	1	H.KONG, SINGAPORE, THAILAND
(1)	CARTON BOX	YMV61Z6200V	1	MALAYSIA
(1)	CARTON BOX	YMV61Z6300E	1	CONTINENTAL, UK, SWITZERLAND
(1)	CARTON BOX	YMV61Z63000	1	H.KONG, SINGAPORE, THAILAND,
(1)	CARTON BOX	YMV61Z6300V	1	MALAYSIA
(1)	CARTON BOX	YMV61Z6300T	1	TAIWAN
(1)	CARTON BOX	YMV61Z6300C	1	SAUDI ARABIA, KUWAIT, MID EAST, IRAN
2	INSTRUCTION MANUAL	YMV01Z6100E	1	CONTINENTAL, SWITZERLAND.
(2)	INSTRUCTION MANUAL	YMV01Z61008	1	UK.
(2)	INSTRUCTION MANUAL	YMV01Z6100G	1	H.KONG, SINGAPORE, THAILAND
(2)	INSTRUCTION MANUAL	YMV01Z6100U	1	CANADA, USA
(2)	INSTRUCTION MANUAL	YMV01Z6200V	1	MALAYSIA
(2)	INSTRUCTION MANUAL	YMV01Z6300C	1	SAUDI ARABIA, KUWAIT, MID EAST, IRAN
(2)	INSTRUCTION MANUAL	YMV01Z6200B	1	THAILAND
3	CUSHION A & B	YMV98Z61000	1	
4	BODY BAG	YMC10ZXQ000	1	