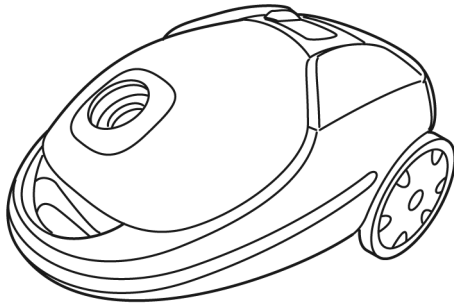


Service Manual

Vacuum Cleaner



Model No. **MC-CJ919-R249**

Model No. **MC-CJ917-K249**

Model No. **MC-CJ917-W249**

Model No. **MC-CJ915-R249**

Model No. **MC-CJ915-W249**

Model No. **MC-CJ913-K249**

Model No. **MC-CJ913-Y249**

Model No. **MC-CJ911-R249**

Product Color : (R) Red (K) Black (W) White (Y) Yellow

Destination : Iran

⚠ WARNING

This service information is designed for experienced repair technicians only and is not designed for use by the general public. It does not contain warnings or cautions to advise non-technical individuals of potential dangers in attempting to service a product. Products powered by electricity should be serviced or repaired only by experienced professional technicians. Any attempt to service or repair the product or products dealt with in this service information by anyone else could result in serious injury or death.

IMPORTANT SAFETY NOTICE

There are special components used in this equipment which are important for safety. These parts are marked by ⚠ in the Schematic Diagrams, Circuit Board Diagrams, Exploded Views and Replacement Parts List. It is essential that these critical parts should be replaced with manufacturer's specified parts to prevent shock, fire or other hazards. Do not modify the original design without permission of manufacturer.

- The specifications and the parts of this product are subject to change without notice for performance improvement or other purposes.

TABLE OF CONTENTS

	PAGE	PAGE
1 Specifications -----	3	
2 Location of Controls and Components -----	4	
3 Troubleshooting Guide -----	5	
4 Disassembly and Assembly Instructions -----	8	
4.1. Disassembly of the Dust Cover Assy	8	
4.2. Disassembly of the Dust Bag Holder	9	
4.3. Disassembly of Body Cover Assy, Switch Pedal, Cord Rewind Button	10	
4.4. Disassembly of Upper Body, Handle Cover, and Guide Lever	11	
4.5. Disassembly of Motor Case Set	13	
4.6. Disassembly of Cord Reel Unit	13	
4.7. Disassembly of Rail Base Unit	14	
4.8. Disassembly of Fan Motor Unit	14	
4.9. Disassembly of P.C.B. Assy	16	
4.10. Replacement of Blower Cover	17	
5 Wiring Connection Diagram -----	18	
6 Exploded View and Replacement Parts List -----	19	
6.1. MC-CJ919/ MC-CJ917	19	
6.2. MC-CJ915	20	
6.3. MC-CJ913	21	
6.4. MC-CJ911	22	
6.5. EXPLODED VIEW (BODY)	23	
6.6. PARTS LIST (BODY)	24	

1 Specifications

Model No.	MC-CJ919	MC-CJ917	MC-CJ915	MC-CJ913	MC-CJ911
Power source	220V -240V 50/60 Hz				
Max. input	2500 W	2300 W	2100 W	2000 W	1900 W
Nominal input	1700 -2100 W	1600 -2000 W	1550 -1900 W	1500 -1800 W	1450 -1700 W
Dimensions (W x L x H)	320 mm x 500 mm x 265 mm				
Net Weight	6.5 kg		6.1 kg		
Cord length	7 m		5 m		
Extension Wand	Telescopic (Magic Telescopic Wand)			Metal x 2	
Nozzle	Floor nozzle (3D EZ nozzle)		Floor nozzle (Durable 2-step nozzle)		
Crevice nozzle			1		
Dusting brush			1		

2 Location of Controls and Components

⚠ CAUTIONS

- The plug must be removed from the socket outlet before cleaning or maintaining the appliance.
- DO NOT use hot air or hot surface to dry the filter. Dry it at room temperature for approximately 24 hours.
- IMPORTANT: Before re-installing the washable filter, make sure it is completely dry to avoid damaging the appliance.
- DO NOT use the telescopic wand or the extension wand when using the blower operation. Wand will get hot.

First, assemble the parts together.

Parts are set surely so as not to come off.

•MC-CJ919 •MC-CJ917 •MC-CJ915

Connect the edge of the hose and the upper end of the telescopic wand by inserting one into the other and twisting together. Attach the floor nozzle to the other end while aligning the raised section with the hole. (When removing them, push the tab down while pulling on the telescopic wand.)

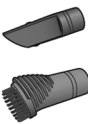


•MC-CJ913 •MC-CJ911

Insert the hose unit into the upper end of the telescopic wand or the extension wand, and the floor nozzle to the other end.

Alternative nozzles

- **Crevice nozzle:** For narrow gaps, etc.
- **Dusting brush:** For furniture, venetian blinds, etc.



Extension wand

•MC-CJ911
Connect the two extension wands by inserting one into the other and twisting together.

Telescopic wand

•MC-CJ919
•MC-CJ917
•MC-CJ915
•MC-CJ913
Length may be adjusted.

1 Start operation

Press

Press the mark, not the edge of the pedal.



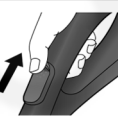
Changing the cleaning power.



To increase or decrease the power, slide the variable power control.

Suction regulator

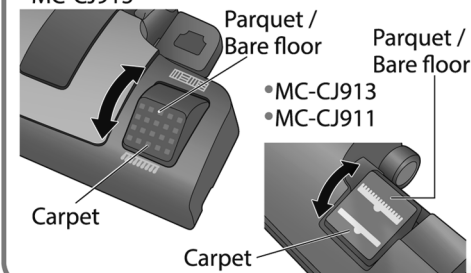
Use when strong suction causes the nozzle to stick to the floor, hindering movement.



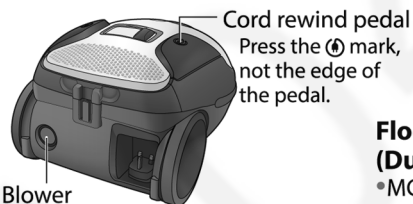
2 Adjust the nozzle

to suit the floor

•MC-CJ919
•MC-CJ917
•MC-CJ915



•MC-CJ913
•MC-CJ911

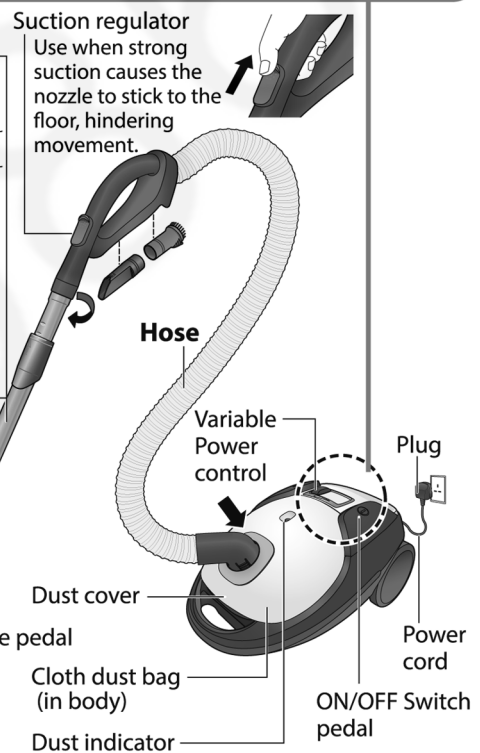


Blower

Cord rewind pedal
Press the mark, not the edge of the pedal.

Floor nozzle (Durable 2-step nozzle)
•MC-CJ911 •MC-CJ913

Floor nozzle (3D EZ Nozzle)
•MC-CJ919
•MC-CJ917
•MC-CJ915



Turn the power control to the highest setting and lift the nozzle off the floor. If the dust indicator turns red, the cloth dust bag is full and requires replacing the cloth dust bag.

How to use Blower

For locations where the nozzle will not enter, connect the hose to the blower and blow the dust out.

Step 1

Turn off the appliance, release the connection pipe from hose inlet. Connect the hose to the blower.



Connection pipe

Step 2

Turn on the appliance and blow the dust out.



Step 3

Turn off the appliance, connect the connection pipe to the hose inlet. After this, turn on the appliance and clean the dust.

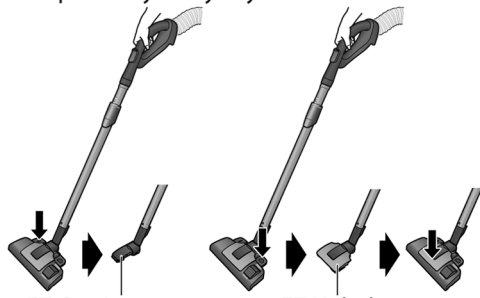


Hose inlet

How to use 3D EZ Nozzle

(MC-CJ919)(MC-CJ917)(MC-CJ915)

Remove the floor nozzle by pressing the release pedal and you can use EZ Crevice or EZ Upholstery easily anytime.



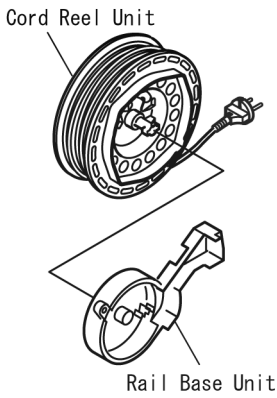
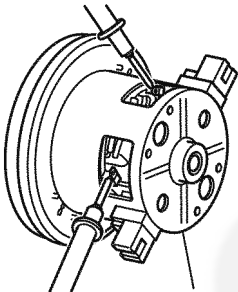
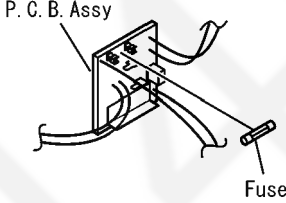
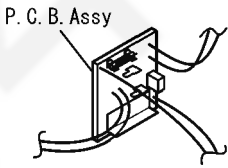
EZ Crevice

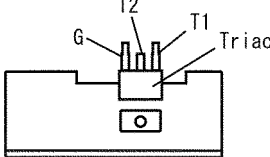
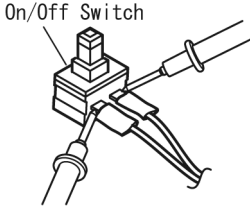
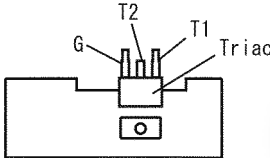
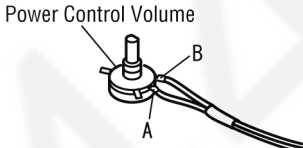
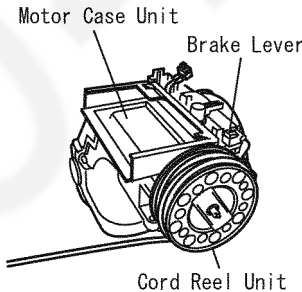
For narrow gaps, etc.


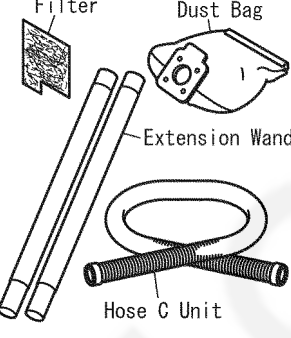
EZ Upholstery

For sofa, etc.

3 Troubleshooting Guide

CONDITION	CHECKPOINT	FIGURE	CHECK METHOD	REMEDY
The Motor doesn't rotate.	CORD REEL UNIT RAIL BASE UNIT	 <p>Cord Reel Unit</p> <p>Rail Base Unit</p>	<ul style="list-style-type: none"> • Check the continuity at both ends of the Plug and both ends of the Lead Wire Terminal of the Cord Reel Unit. (Disconnection check) • There must be no problems between the Cord Reel Unit and the Rail Base Unit (e.g. burns in the contact, entry of dust). 	<ul style="list-style-type: none"> • If there is no continuity, replace the Cord Reel Unit, or the Rail Base Unit.
	MOTOR	 <p>Fan Motor Unit</p>	<ul style="list-style-type: none"> • Check the continuity between the terminals of the Motor. • Confirm that the Motor can be rotated by fingers without being locked. • Visually check for burns in the Motor (e.g. burns in the coil). 	<ul style="list-style-type: none"> • If there is a problem, replace the Fan Motor Unit. • * Also check and replace the Fuse.(on the P.C.B. Assy)
	FUSE	 <p>P. C. B. Assy</p> <p>Fuse</p>	<ul style="list-style-type: none"> • Check if the Fuse has blown. Causes of fuse blowing: <ol style="list-style-type: none"> 1. Overcurrent 2. Burn of the Motor 3. Short-circuiting due to incorrect wiring 	<ul style="list-style-type: none"> • If the Fuse has blown, remove the cause and replace the Fuse. • *If a burn in the Motor caused the Fuse to blow, then also replace the Motor.
	P.C.B. ASSY	 <p>P. C. B. Assy</p>	<ul style="list-style-type: none"> • Check the internal components for problems. (Burnt, melted, broken, etc.) • There must be no broken foil of the Printed Circuit Board. • There must be no breaks in the Lead Wires. 	<ul style="list-style-type: none"> • If there is a problem, replace the P.C.B. Assy.

CONDITION	CHECKPOINT	FIGURE	CHECK METHOD	REMEDY
	TRIAC (on the P.C.B. Assy)		<ul style="list-style-type: none"> Check the Triac by conducting the following inspection. 	<ul style="list-style-type: none"> If there is a problem, replace the P.C.B. Assy.
			<p style="text-align: center;">Check the Triac on the P.C.B. Assy</p> <p>*Using a tester, see if continuity is detected between each pair of Triac legs. The normality are as follows.</p> <ol style="list-style-type: none"> T1 - T2 : No continuity T2 - G : No continuity T1 - G : Continuity <p>*Connect the T1 side to the positive side of the tester, and then check the continuity.</p>	
	ON/OFF SWITCH (in the P.C.B. Assy)		<ul style="list-style-type: none"> Check the continuity by pressing the On/Off Switch. 	<ul style="list-style-type: none"> If there is a problem, replace the P.C.B. Assy.
1. The Motor doesn't rotate. 2. The Power Control doesn't function.	TRIAC (on the P.C.B. Assy)		<ul style="list-style-type: none"> Check that the Triac has not been short-circuited. If there is continuity between T1 and T2, then there is a problem in the components. 	<ul style="list-style-type: none"> If there is a problem, replace the P.C.B. Assy.
	POWER CONTROL VOLUME (in the P.C.B. Assy)		<ul style="list-style-type: none"> The resistance between A and B must be switchable. 0~470Ω 	<ul style="list-style-type: none"> If there is a problem, replace the P.C.B. Assy.
The Cord cannot be pulled out.	CORD REEL UNIT MOTOR CASE UNIT		<ul style="list-style-type: none"> If the Cord cannot be pulled out, press the Brake Lever and confirm that the Cord can be rewound. Repeat operations to rewind and pull out the Cord two or three times and confirm that it can be normally rewound. 	<ul style="list-style-type: none"> If it is impossible to resolve the problem due to an abnormal condition of the Cord, separate the Body, untwist the Cord, and rewind it. Or, replace the Cord Reel Unit and rewind the Cord.
1. The Cord cannot be rewound. 2. The pulled out Cord cannot be locked.			<p>Separate the Body and;</p> <ul style="list-style-type: none"> Confirm that a sufficient number of spare turns have been made. Confirm that the Cord Reel Spring is working. Confirm that the Brake Lever Unit is working correctly to stop the Cord from rewinding. 	<ul style="list-style-type: none"> Make spare turns according to the engraved number of turns, or; Replace the Cord Reel Unit. Replace the Motor Case Unit.

CONDITION	CHECKPOINT	FIGURE	CHECK METHOD	REMEDY
<p>1. The suction power is low.</p> <p>2. The Motor stops during vacuuming. (The Thermo Protector in the Fan Motor Unit works.)</p>	<p>DUST BAG</p> <p>FILTER</p> <p>EXTENSION WAND (ASSY)</p> <p>HOSE UNIT</p>	<p>MC-CJ919/ MC-CJ917/ MC-CJ915/ MC-CJ913</p>  <p>MC-CJ911</p> 	<p>Check for clogging with dust.</p> <ul style="list-style-type: none"> • Dust Bag • Filter (in the Dust Box) • Hose Unit • Extension Wand (Assy) 	<p>Remove dust.</p> <ul style="list-style-type: none"> • Replace any broken Dust Bag, Filter, and/or Hose Unit.

4 Disassembly and Assembly Instructions

Important: Always turn the vacuum cleaner is power off before replacing components.

Remove the power cord and plug from the mains.

* Attention

(1) When disassembling the vacuum cleaner, check the connections and wiring (pulling) of each component, and ensure that everything is restored correctly once repairs are complete.

(2) Handle all disassembled components and packing with care, and be sure to replace any components that may be accidentally damaged.

(3) Once repair operations are complete, always inspect the area around the repairs for any degradation, and ensure that all components that were removed for repair have been replaced in the correct wiring configurations. It is also necessary to test the operation of the vacuum cleaner and ensure that it is safe for subsequent use.

- Insulation resistance:

Must be at least $5M\Omega$ when a direct current of 500V is applied between the power plug terminals and the exterior of the motor.

- Dielectric strength:

Must be able to withstand 1250V of alternating current applied between the power plug terminals and the exterior of the motor for one minute.

(4) Do not make changes to models, components, or materials during repairs and services.

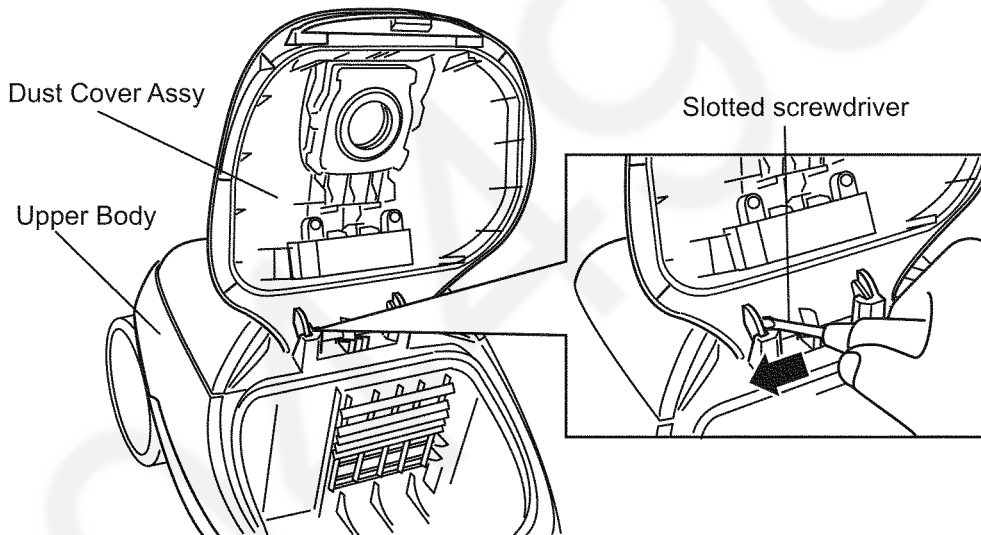
(5) If a wiring unit has been supplied as a spare part, the wiring unit must be simply replaced as it is, without any additional repairs or connections made to even part of the wiring.

(6) Insert/remove the fast-on terminals by pushing/pulling them straight out without jiggling them or applying unnecessary force.

4.1. Disassembly of the Dust Cover Assy

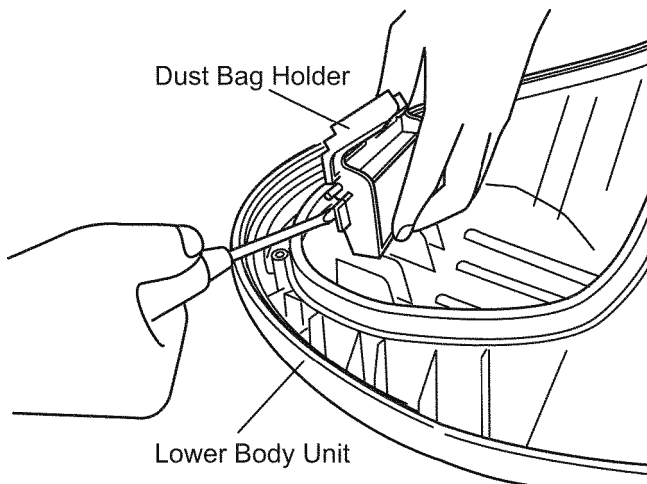
1. Open the Dust Cover Assy and insert a slotted screwdriver in the gap between the Dust Cover Assy and the Upper Body.

Move the slotted screwdriver in the direction of the arrow, and disassemble the Dust Cover Assy pulling upward.

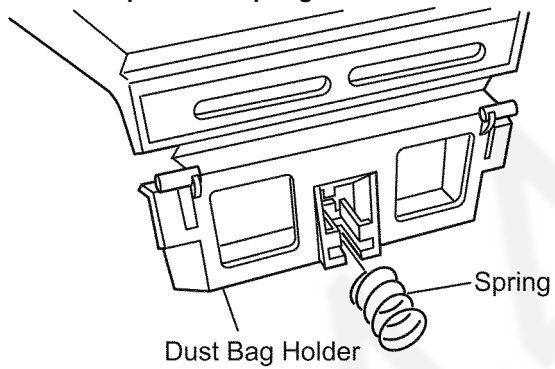


4.2. Disassembly of the Dust Bag Holder

1. Remove the Dust Bag Holder by inserting a slotted screwdriver into the mount of the Dust Bag Holder on the Lower Body Unit.

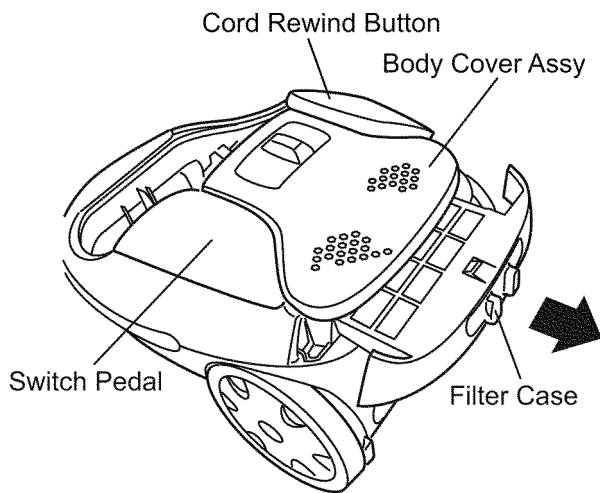


Caution (There is a Spring inside)
*** When replacing the Dust Bag Holder, disassemble and replace the Spring mounted inside.**

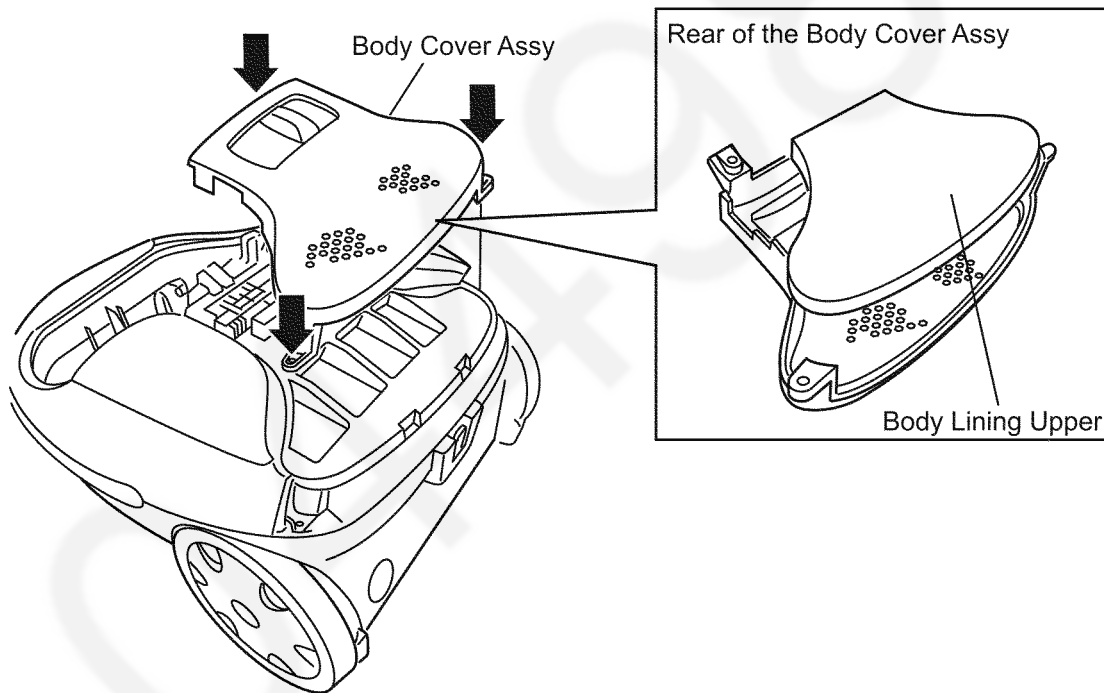


4.3. Disassembly of Body Cover Assy, Switch Pedal, Cord Rewind Button

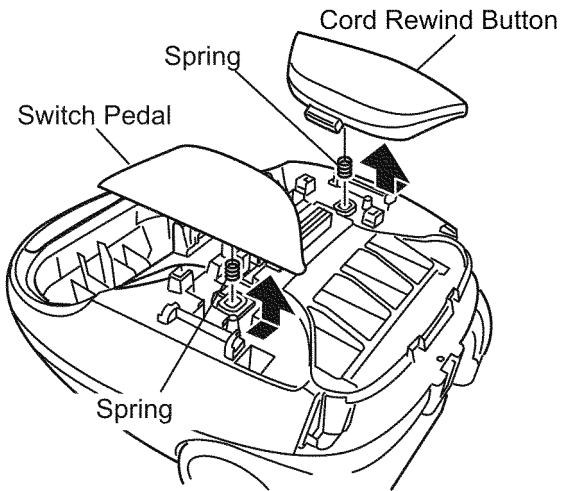
1. Remove the Filter Case



2. Remove 3 screws and disassemble the Body Cover Assy

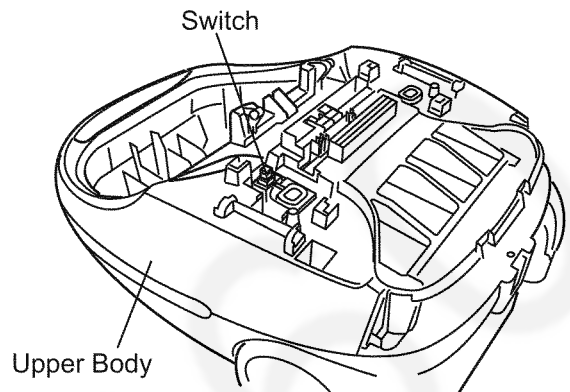


3. Disassemble the Switch Pedal/Cord Rewind Button toward the direction of the arrow
 toward the direction of the arrow
Caution: (Spring is placed inside.)
***Be careful not to lose the Spring.**

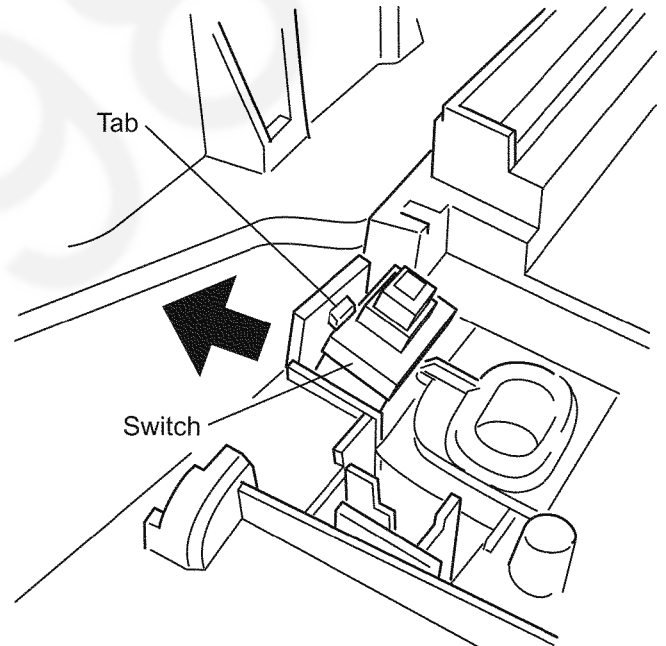


4.4. Disassembly of Upper Body, Handle Cover, and Guide Lever

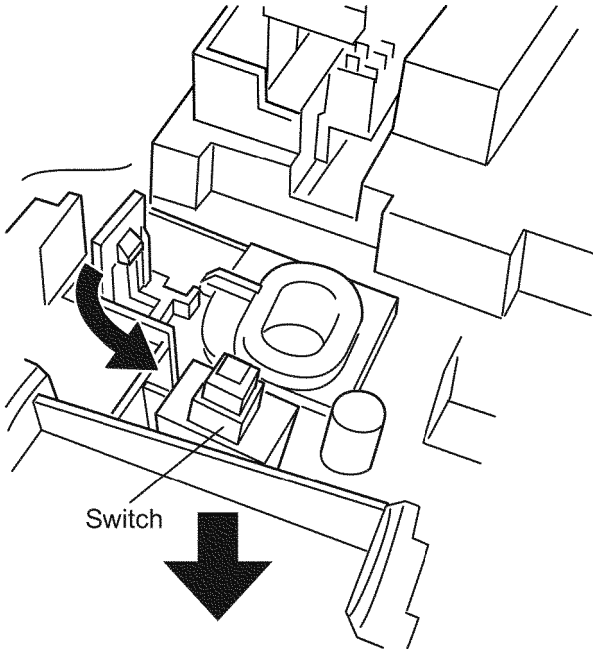
1. Disassemble the Body Cover Assy and Switch Pedal as described in (4.3).



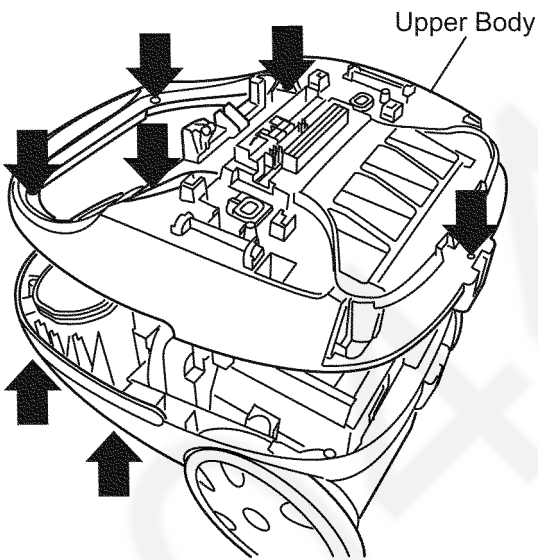
2. Remove the Switch (part of the P.C.B. Assy) from the Upper Body by pressing the tab in direction of the arrow.



3. Slide the Switch, and push it inward at the position shown in the figure.

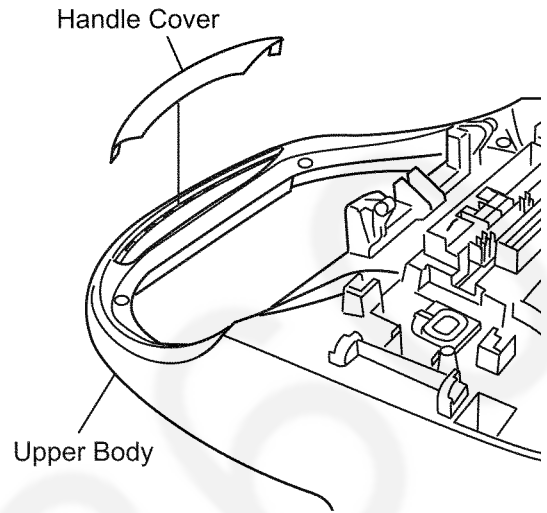


4. Remove 7 screws and disassemble the Upper Body slowly pulling it upwards.



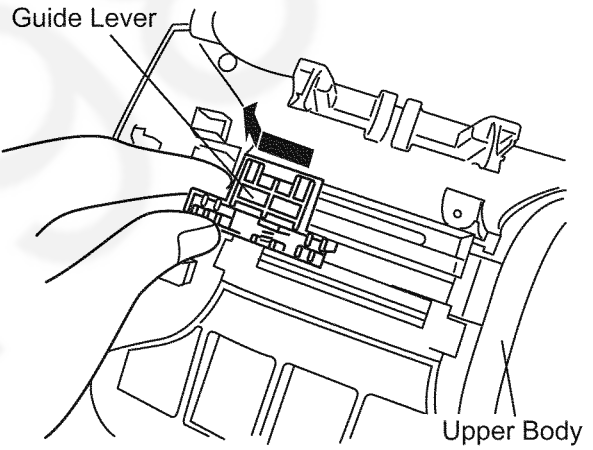
5. Disassembly of Handle Cover

Disassemble the Handle Cover from the Upper Body.



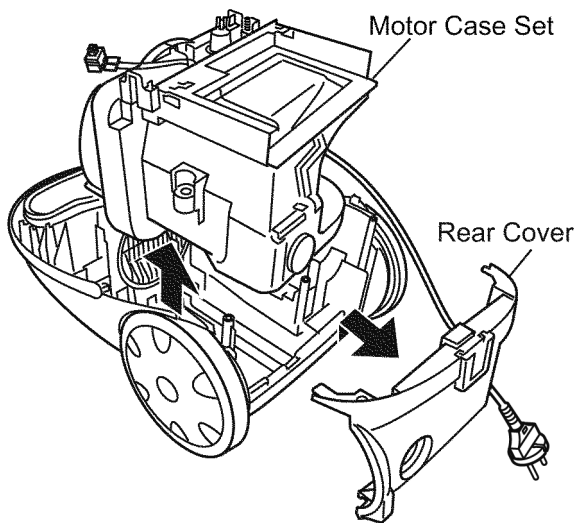
6. Disassembly of Guide Lever

Slide and disassemble the Guide Lever to the direction of the arrow.



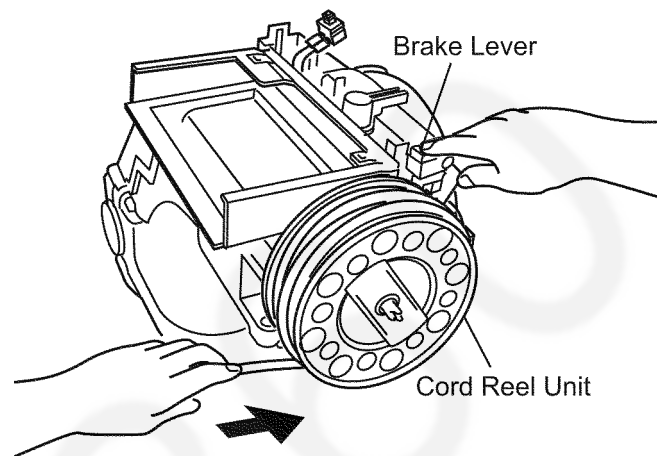
4.5. Disassembly of Motor Case Set

1. Disassemble the Rear Cover to the direction of the arrow, and disassemble the Motor Case Set pulling upward.

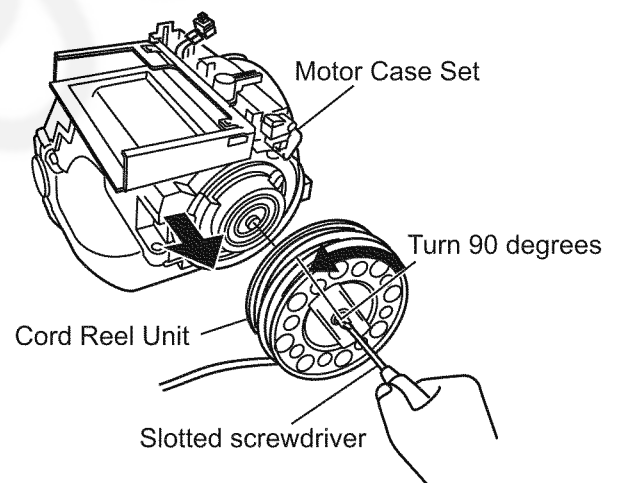


4.6. Disassembly of Cord Reel Unit

1. Release the pretension of the Cord Reel Unit slowly by holding on the Power Plug and pressing on the Brake Lever.



2. Remove the Cord Reel Unit from the Motor Case Set by inserting a slotted screwdriver into the shaft of the Cord Reel Unit and turning it 90 degrees counter-clockwise.

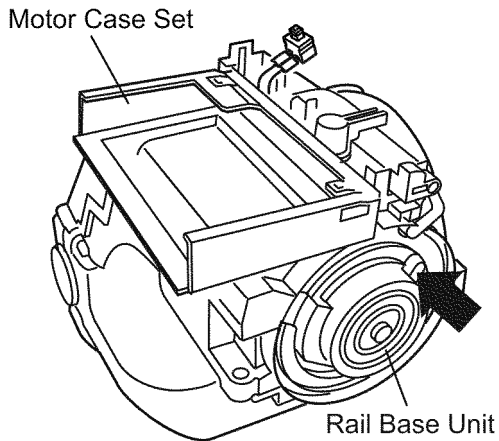


To assemble

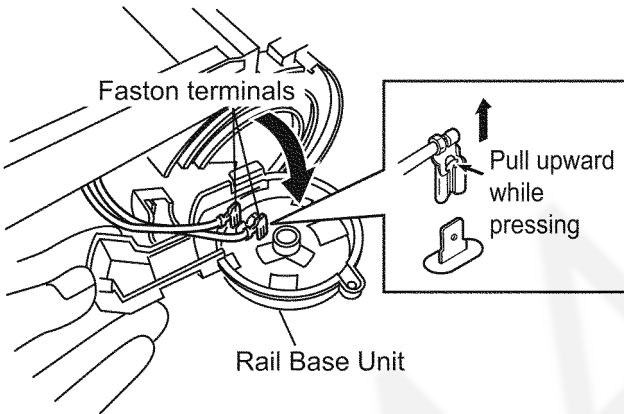
- a. Assemble in reverse order of the disassembly
- b. Pretension the Cord Reel Unit
<How to pretension the Cord Reel Unit>
 - a. Turn the Cord Reel Unit holding on the Plug
 - b. Number of turns for pretension of the Cord is engraved on the steel plate at the side of the Cord Reel Unit

4.7. Disassembly of Rail Base Unit

1. Remove screw and disassemble the Rail Base Unit from the Motor Case Set.



2. Remove the faston terminals on the Rail Base Unit.



⚠ WARNING

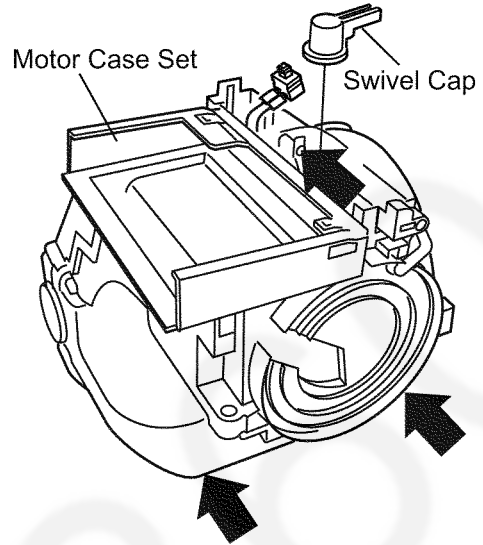


Pull the faston terminals straight out without twisting.

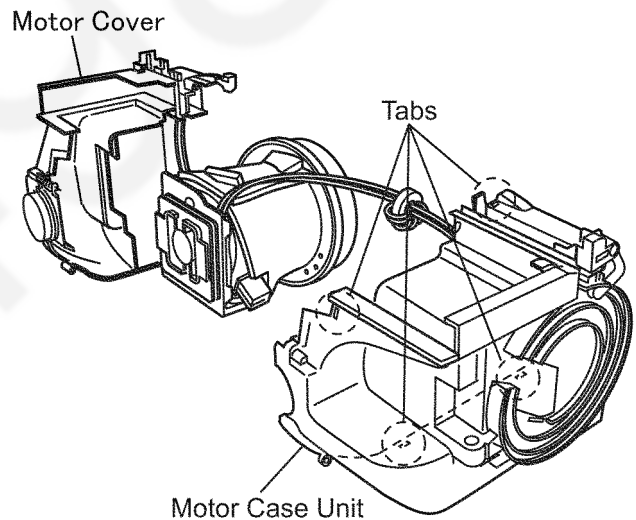
* Apply the included furoyl when replacing the Rail Base Unit or the Cord Reel Unit. (Refer to the included instruction sheet for detail)

4.8. Disassembly of Fan Motor Unit

1. Disassemble the Swivel Cap and remove 3 screws.

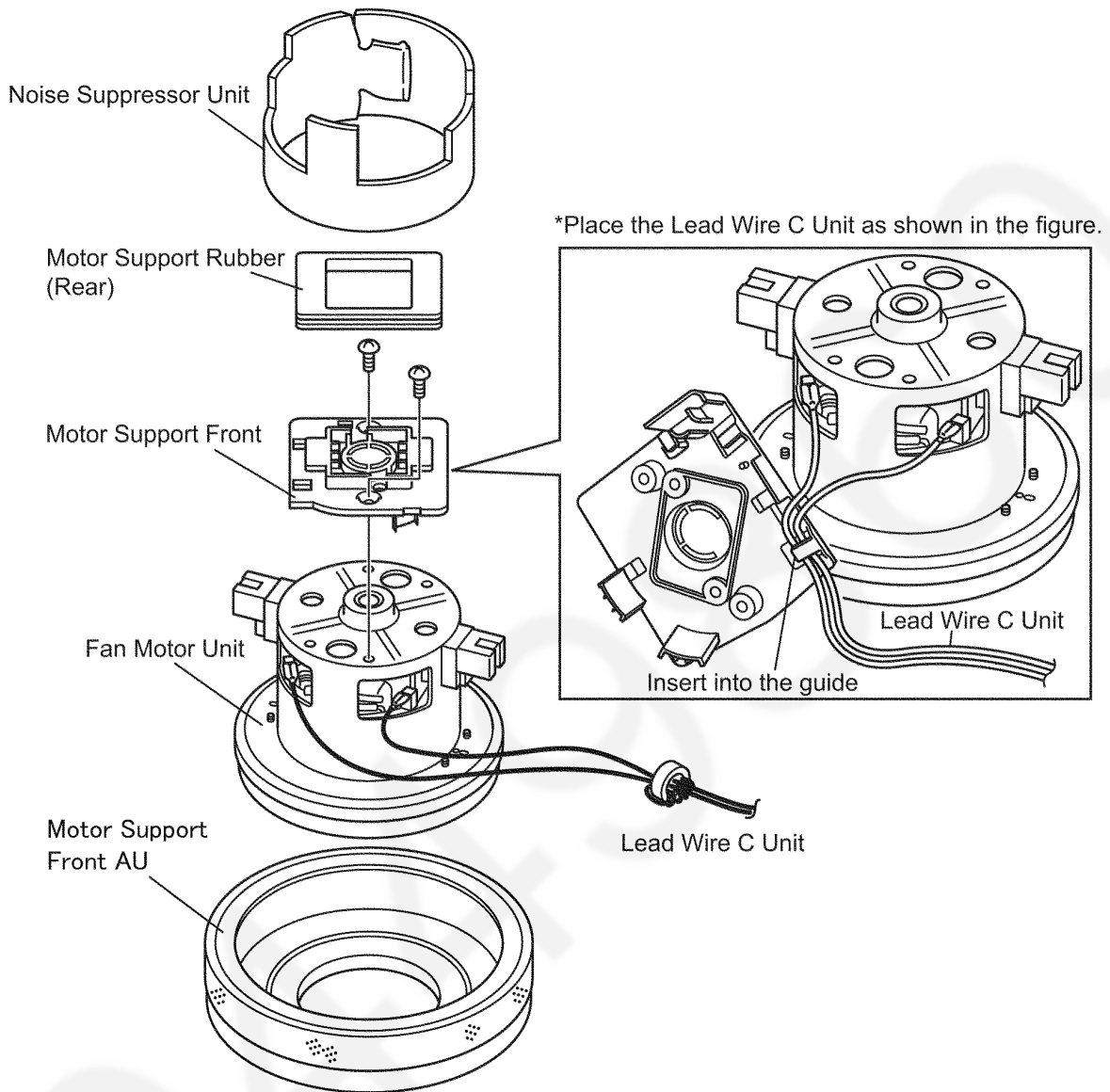


2. Remove the tabs (4 positions) of the Motor Case Unit and Motor Cover, and disassemble the Motor Case Unit and the Motor Cover.



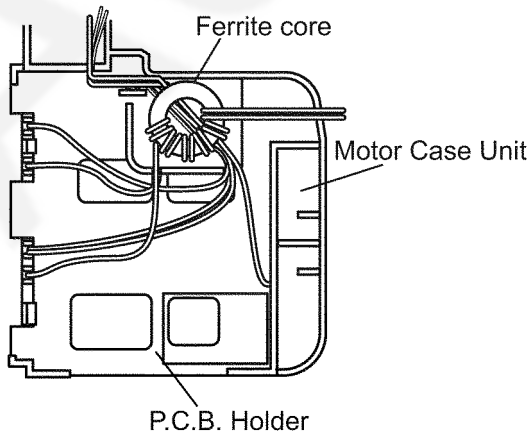
- 3. Disassemble the Noise Suppressor Unit
- 4. Disassemble the Motor Support Rubber (Rear)

- 5. Remove 2 screws and disassemble the Motor Support Front
- 6. Remove the Motor Support Rubber (Front)



Wiring diagram for assembly

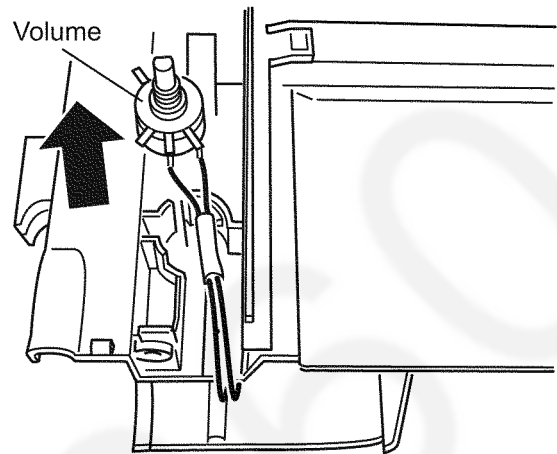
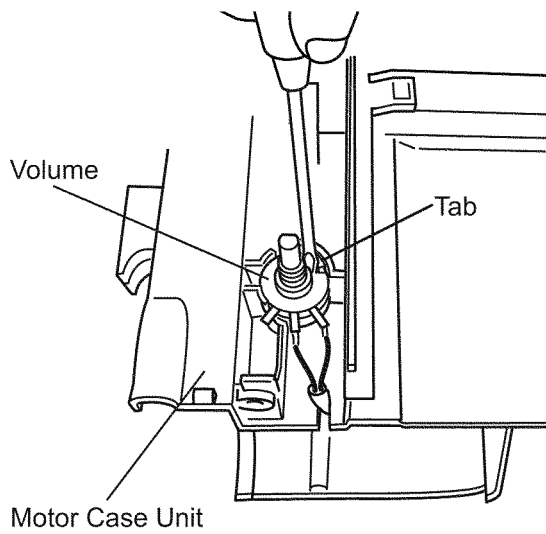
Place the ferrite core as shown in the figure, and assemble the Motor Case Unit taking care of the wiring of each wire.



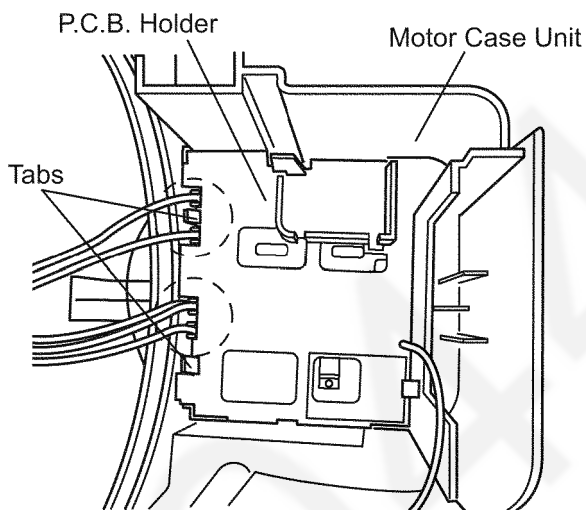
4.9. Disassembly of P.C.B. Assy

1. Disassembly of Volume (a part of P.C.B. Assy)

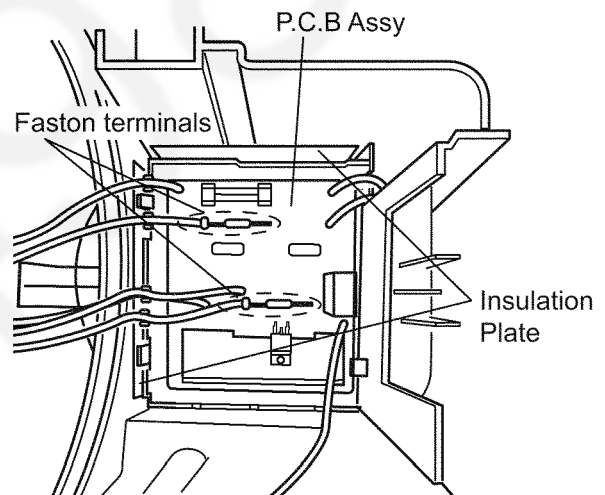
Disassemble the Volume by widening the tab of the Motor Case Unit using a slotted screwdriver.



2. Disassemble the P.C.B. Holder by pressing on the tabs (2 positions) on the Motor Case Unit with your finger.



3. Remove the faston terminals and disassemble the P.C.B. Assy.



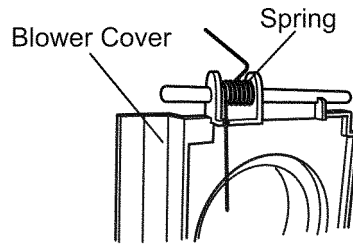
⚠ WARNING



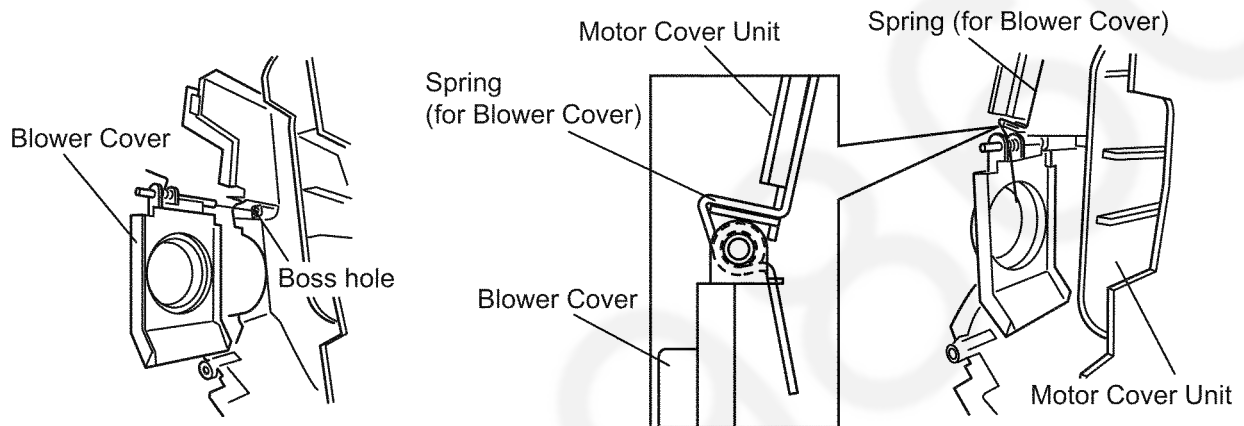
Pull the faston terminals straight out without twisting.

4.10. Replacement of Blower Cover

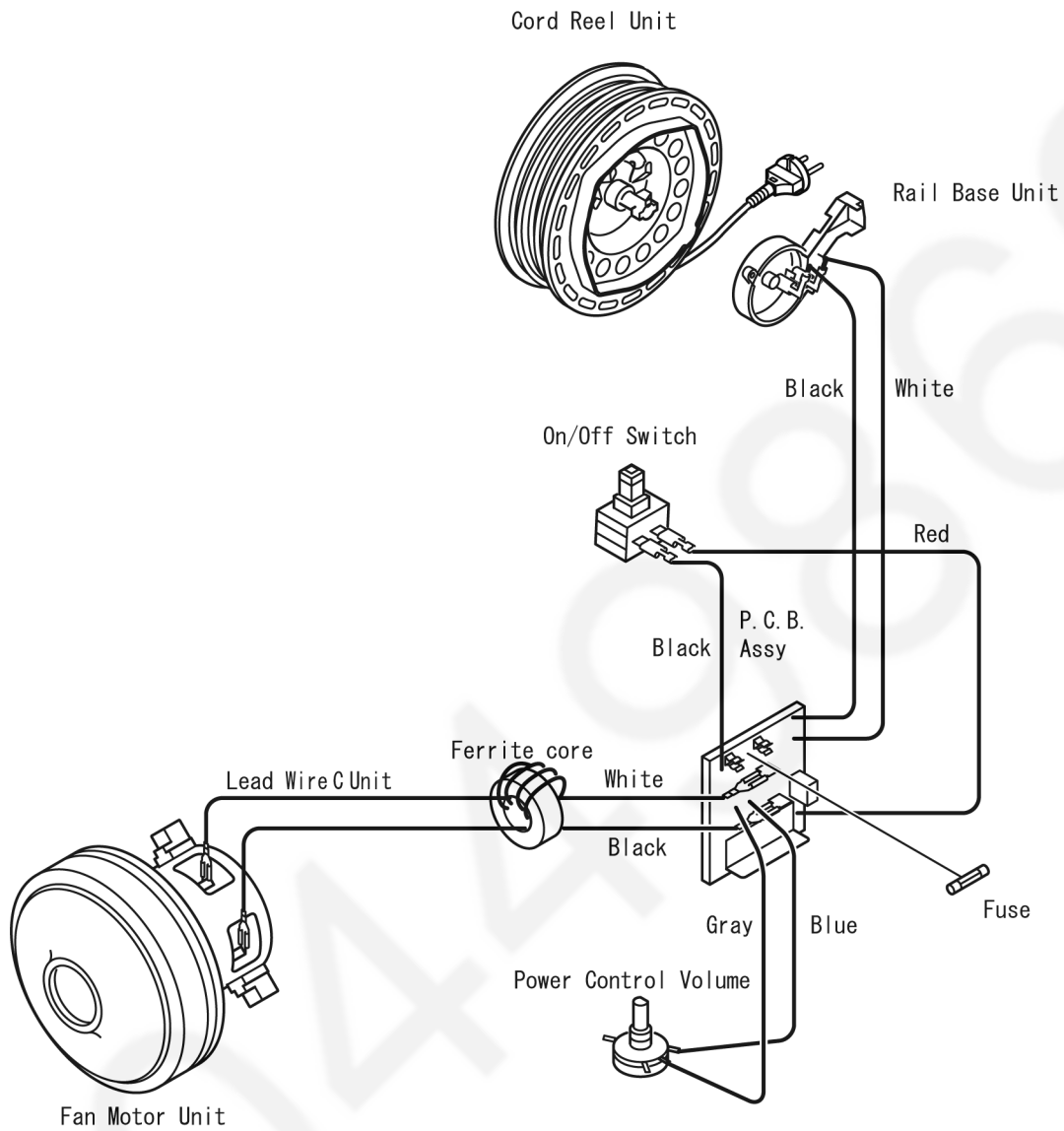
1. Assemble the Spring (for Blower Cover) onto the Blower Cover



2. Assemble by inserting the shaft of the Blower Cover into the boss hole.



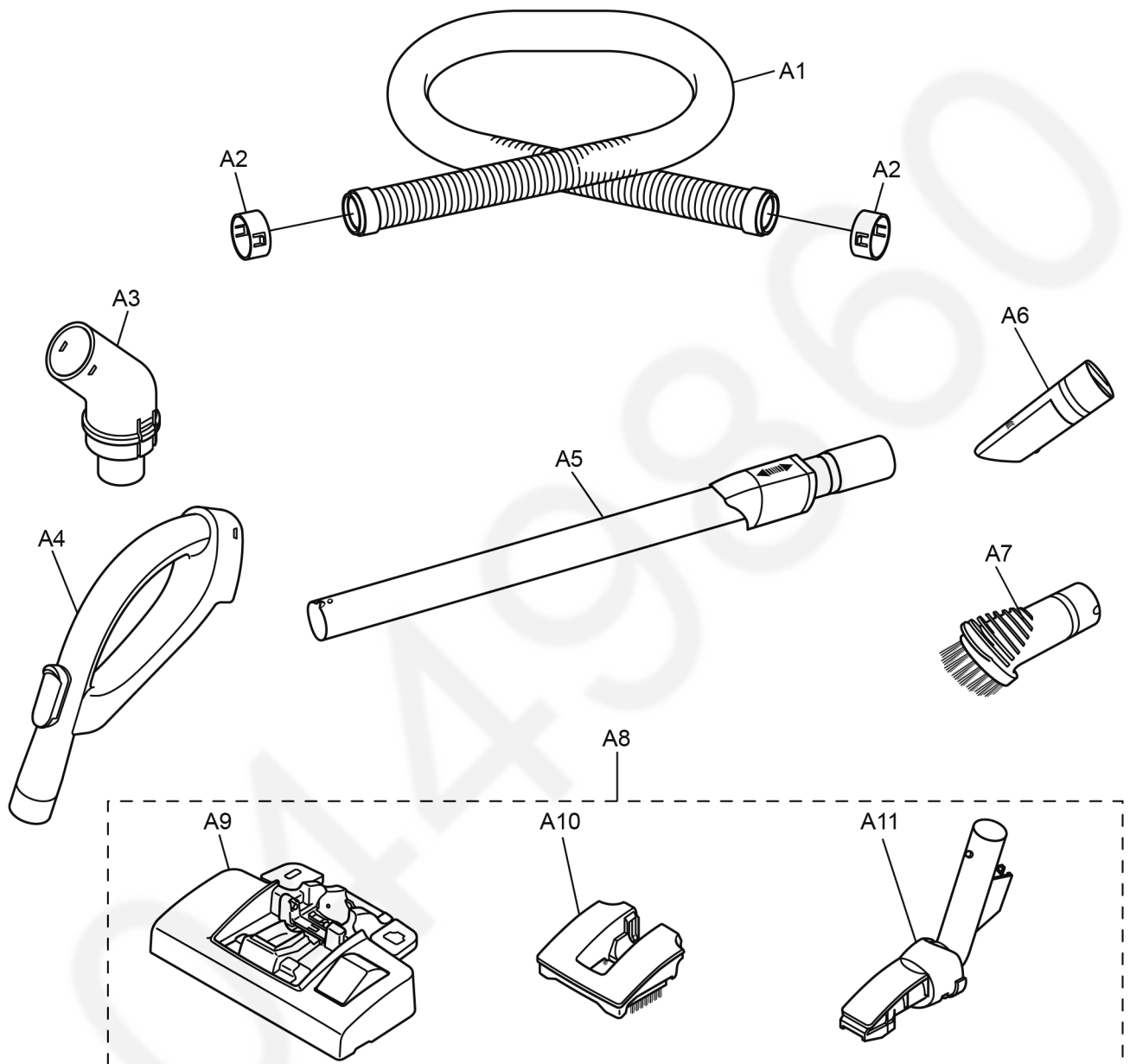
5 Wiring Connection Diagram



6 Exploded View and Replacement Parts List

6.1. MC-CJ919/ MC-CJ917

6.1.1. EXPLODED VIEW (ATTACHMENTS)

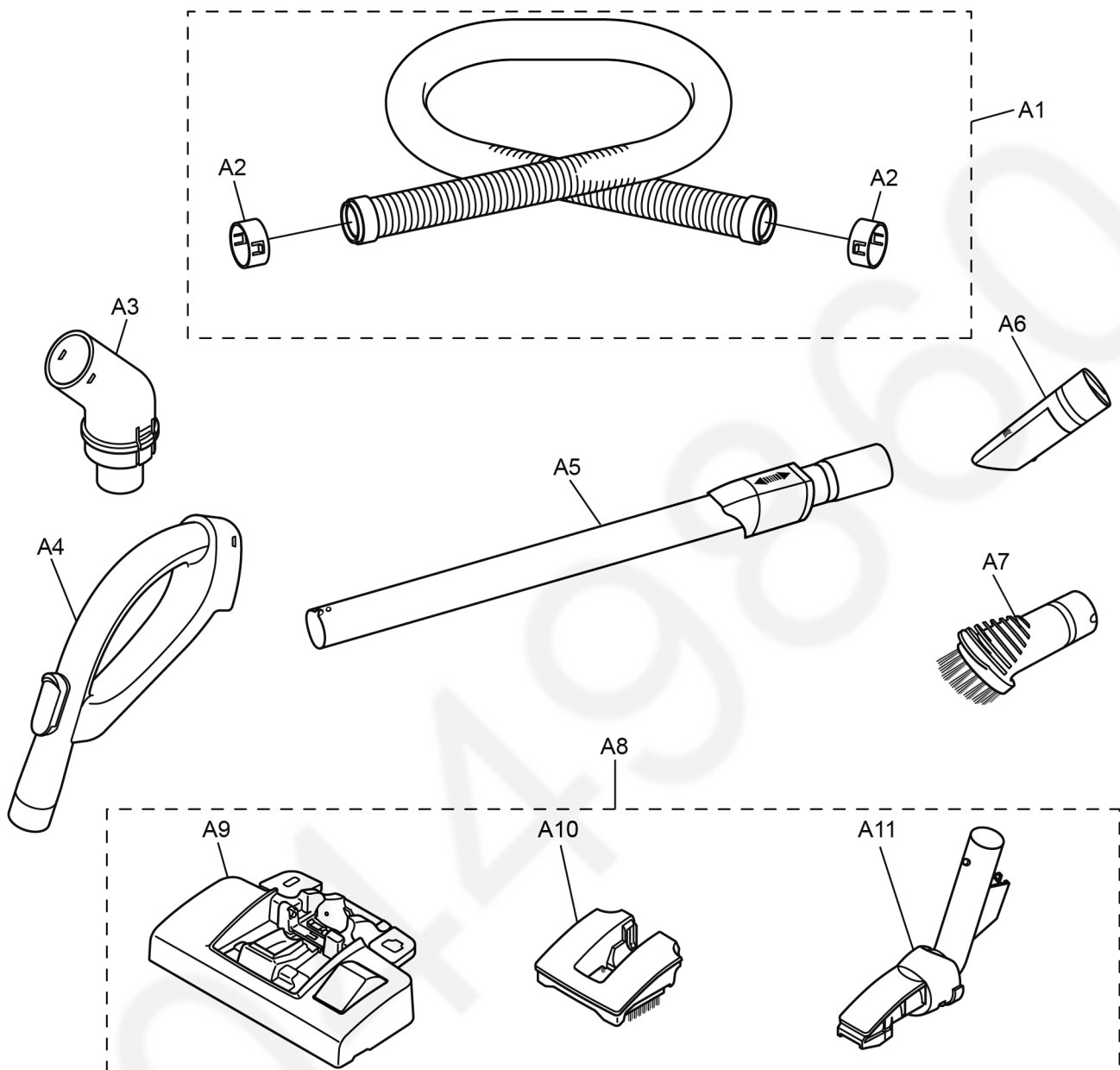


6.1.2. PARTS LIST (ATTACHMENTS)

Safety	Ref. No.	Part No.	Part Name & Description	Pcs/Set	Remarks
	A1	AMV84PB80S0J	HOSE UNIT	1	(HOSE) MC-CJ919/ MC-CJ917
	A2	AMC24P-0R0V	HOSE SUPPORTER	2	
	A3	AMV92PB80V0J	CONNECTION PIPE	1	
	A4	AMV98PB80V0J	CURVED WAND	1	(SUCTION REGULATOR)
	A5	AMV99PB8000J	EXTENSION WAND ASSY	1	(TELESCOPIC WAND) MC-CJ919/ MC-CJ917
	A6	AMC60RMV060J	CREVICE TOOL	1	(CREVICE NOZZLE)
	A7	AMV88RB6000J	DUSTING BRUSH UNIT	1	(DUSTING BRUSH)
	A8	AMV99RB80V0J	FLOOR NOZZLE ASSY	1	(FLOOR NOZZLE) MC-CJ919/ MC-CJ917/ MC-CJ915
	A9	AMV96QB80V0J	FLOOR NOZZLE UNIT	1	MC-CJ919/ MC-CJ917/ MC-CJ915
	A10	AMV88RB8000J	DUSTING BRUSH UNIT	1	(EZ UPHOLSTERY) MC-CJ919/ MC-CJ917/ MC-CJ915
	A11	AMV97QB80V0J	CREVICE TOOL UNIT	1	(EZ CREVICE) MC-CJ919/ MC-CJ917/ MC-CJ915

6.2. MC-CJ915

6.2.1. EXPLODED VIEW (ATTACHMENTS)

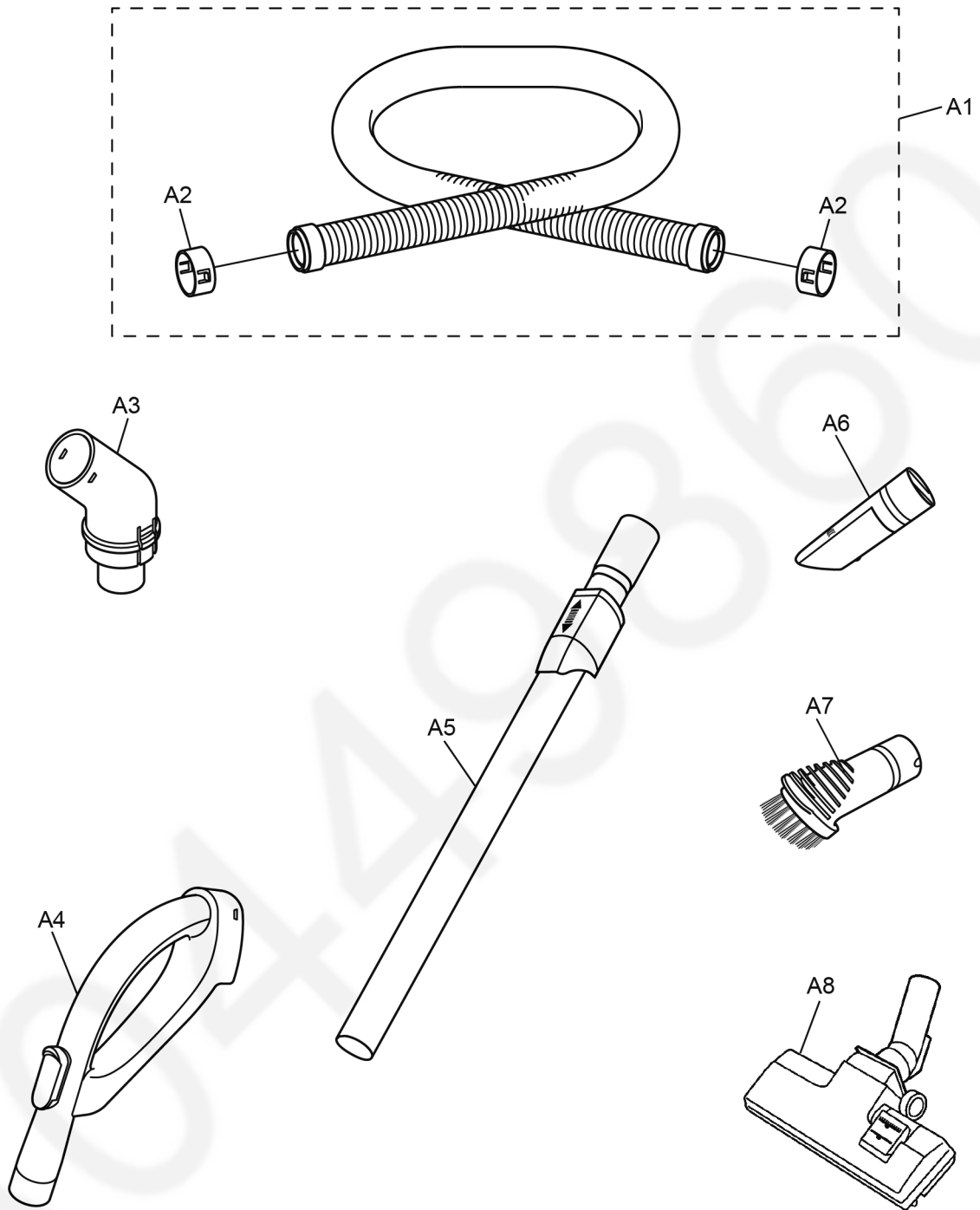


6.2.2. PARTS LIST (ATTACHMENTS)

Safety	Ref. No.	Part No.	Part Name & Description	Pcs/Set	Remarks
	A1	AMV75PB60V0J	HOSE C UNIT	1	(HOSE) MC-CJ915/ MC-CJ913/ MC-CJ911
	A2	AMC24P-0R0V	HOSE SUPPORTER	2	
	A3	AMV92PB80V0J	CONNECTION PIPE	1	
	A4	AMV98PB80V0J	CURVED WAND	1	(SUCTION REGULATOR)
	A5	AMV99P9U000J	EXTENSION WAND ASSY	1	(TELESCOPIC WAND) MC-CJ915
	A6	AMC60RMV060J	CREVICE TOOL	1	(CREVICE NOZZLE)
	A7	AMV88RB6000J	DUSTING BRUSH UNIT	1	(DUSTING BRUSH)
	A8	AMV99RB80V0J	FLOOR NOZZLE ASSY	1	(FLOOR NOZZLE) MC-CJ919/ MC-CJ917/ MC-CJ915
	A9	AMV96QB80V0J	FLOOR NOZZLE UNIT	1	MC-CJ919/ MC-CJ917/ MC-CJ915
	A10	AMV88RB8000J	DUSTING BRUSH UNIT	1	(EZ UPHOLSTERY) MC-CJ919/ MC-CJ917/ MC-CJ915
	A11	AMV97QB80V0J	CREVICE TOOL UNIT	1	(EZ CREVICE) MC-CJ919/ MC-CJ917/ MC-CJ915

6.3. MC-CJ913

6.3.1. EXPLODED VIEW (ATTACHMENTS)

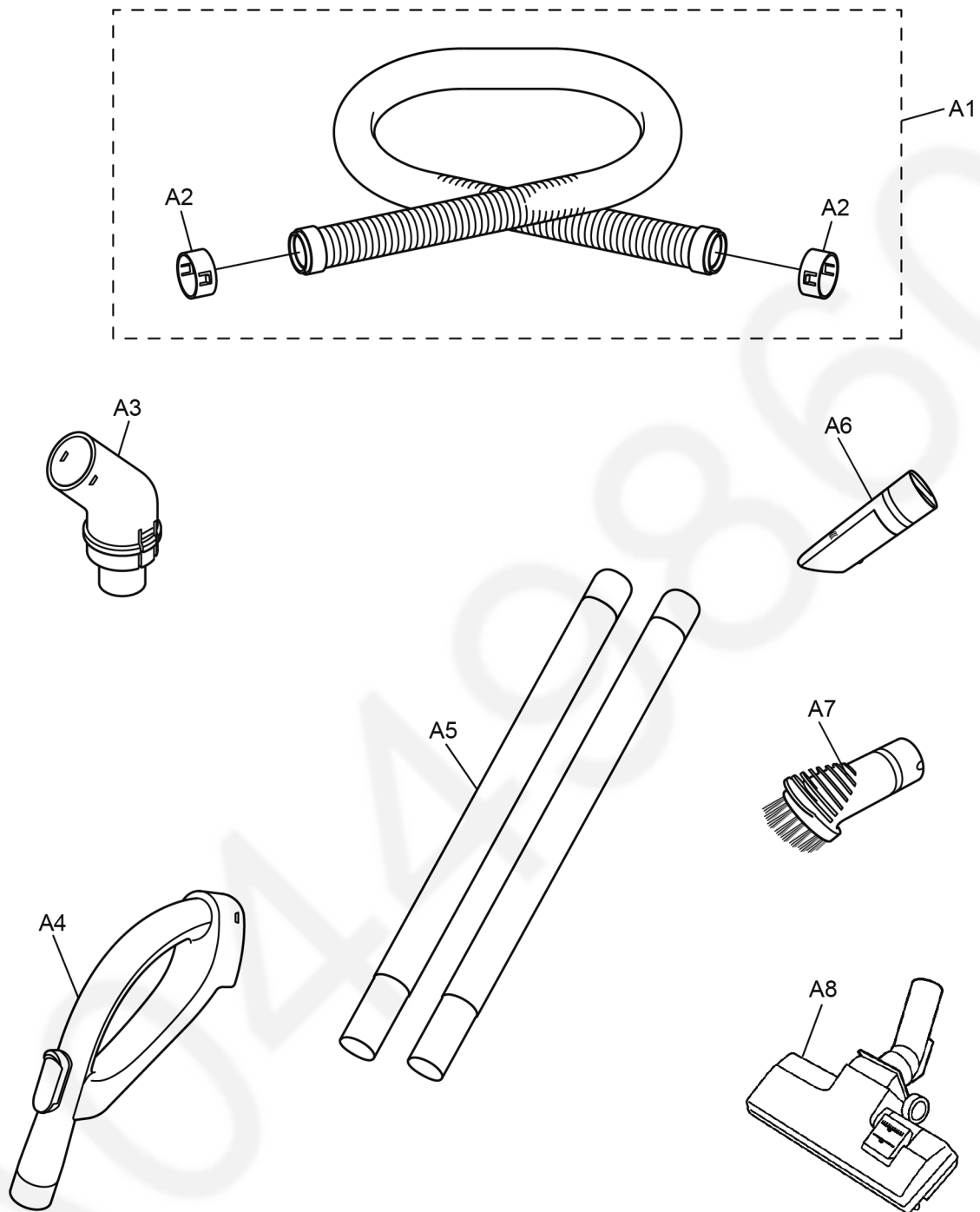


6.3.2. PARTS LIST (ATTACHMENTS)

Safety	Ref. No.	Part No.	Part Name & Description	Pcs/Set	Remarks
	A1	AMV75PB60V0J	HOSE C UNIT	1	(HOSE) MC-CJ915/ MC-CJ913/ MC-CJ911
	A2	AMC24P-0R0V	HOSE SUPPORTER	2	
	A3	AMV92PB80V0J	CONNECTION PIPE	1	
	A4	AMV98PB80V0J	CURVED WAND	1	(SUCTION REGULATOR)
	A5	AMC99P-HP0	EXTENSION WAND ASSY	1	(TELESCOPIC WAND) MC-CJ913
	A6	AMC60RMV060J	CREVICE TOOL	1	(CREVICE NOZZLE)
	A7	AMV88RB6000J	DUSTING BRUSH UNIT	1	(DUSTING BRUSH)
	A8	AMC99R-RS0U	FLOOR NOZZLE ASSY	1	(FLOOR NOZZLE) MC-CJ913/ MC-CJ911

6.4. MC-CJ911

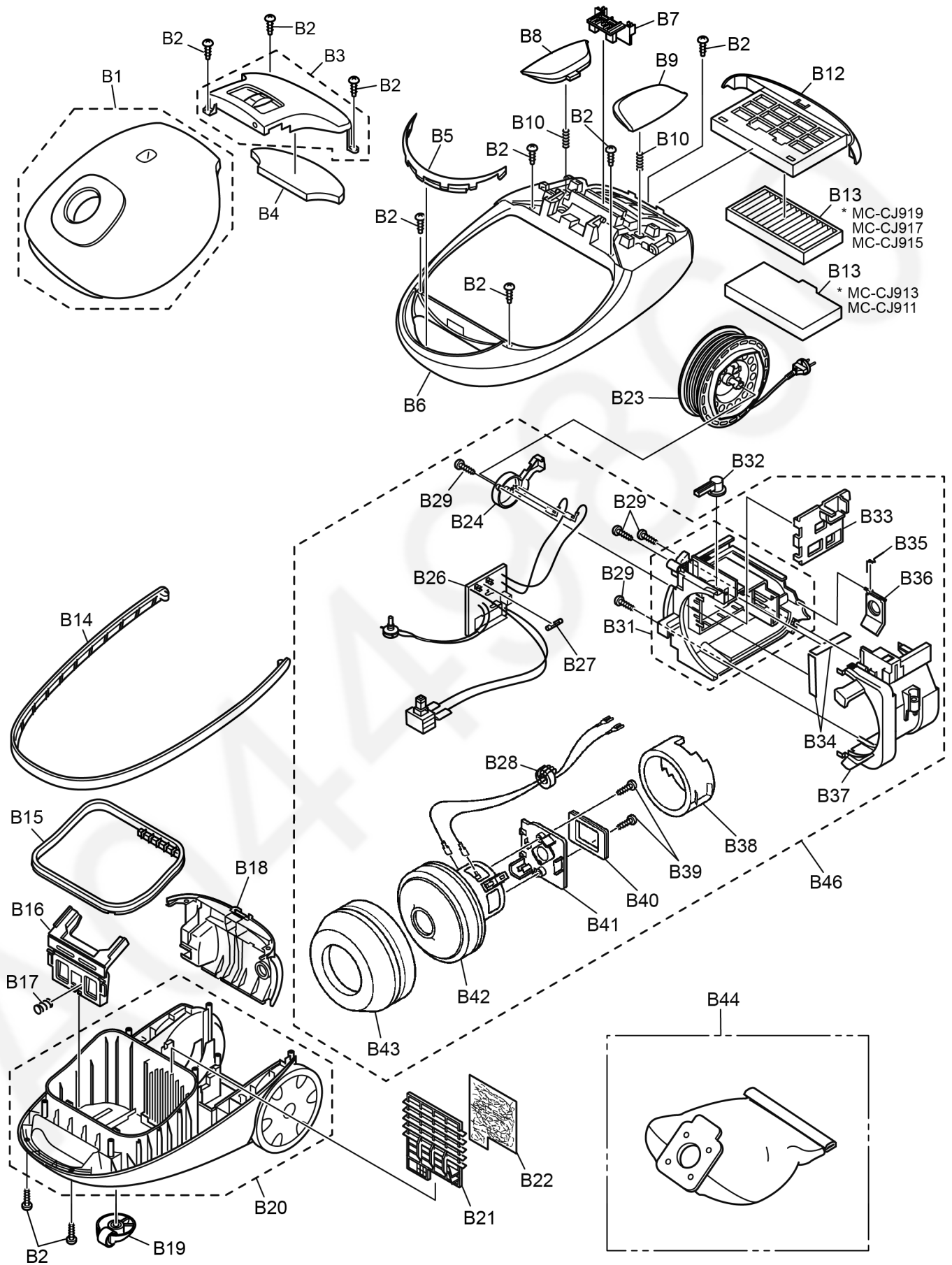
6.4.1. EXPLODED VIEW (ATTACHMENTS)



6.4.2. PARTS LIST (ATTACHMENTS)

Safety	Ref. No.	Part No.	Part Name & Description	Pcs/Set	Remarks
	A1	AMV75PB60V0J	HOSE C UNIT	1	(HOSE) MC-CJ915/ MC-CJ913/ MC-CJ911
	A2	AMC24P-0R0V	HOSE SUPPORTER	2	
	A3	AMV92PB80V0J	CONNECTION PIPE	1	
	A4	AMV98PB80V0J	CURVED WAND	1	(SUCTION REGULATOR)
	A5	AMC40P-QN0	EXTENSION WAND	1	MC-CJ911
	A6	AMC60RMV060J	CREVICE TOOL	1	(CREVICE NOZZLE)
	A7	AMV88RB6000J	DUSTING BRUSH UNIT	1	(DUSTING BRUSH)
	A8	AMC99R-RS0U	FLOOR NOZZLE ASSY	1	(FLOOR NOZZLE) MC-CJ913/ MC-CJ911

6.5. EXPLODED VIEW (BODY)



6.6. PARTS LIST (BODY)

Safety	Ref. No.	Part No.	Part Name & Description	Pcs/Set	Remarks
	B1	AMV93KB40RBJ	DUST COVER ASSY	1	MC-CJ911-R249
	B1	AMV93KB50KBJ	DUST COVER ASSY	1	MC-CJ913-K249
	B1	AMV93KB50YBJ	DUST COVER ASSY	1	MC-CJ913-Y249
	B1	AMV93KB60RBJ	DUST COVER ASSY	1	MC-CJ915-R249
	B1	AMV93KB60WBJ	DUST COVER ASSY	1	MC-CJ915-W249
	B1	AMV93KB70KBJ	DUST COVER ASSY	1	MC-CJ917-K249
	B1	AMV93KB70WBJ	DUST COVER ASSY	1	MC-CJ917-W249
	B1	AMV93KB80RBJ	DUST COVER ASSY	1	MC-CJ919-R249
	B2	XTN4+20BFJ	SCREW	10	
	B3	AMV0YAB40R0J	BODY COVER ASSY	1	MC-CJ911-R249
	B3	AMV0YAB50K0J	BODY COVER ASSY	1	MC-CJ913-K249
	B3	AMV0YAB50Y0J	BODY COVER ASSY	1	MC-CJ913-Y249
	B3	AMV0YAB60R0J	BODY COVER ASSY	1	MC-CJ915-R249
	B3	AMV0YAB60W0J	BODY COVER ASSY	1	MC-CJ915-W249
	B3	AMV0YAB70K0J	BODY COVER ASSY	1	MC-CJ917-K249
	B3	AMV0YAB70W0J	BODY COVER ASSY	1	MC-CJ917-W249
	B3	AMV0YAB80R0J	BODY COVER ASSY	1	MC-CJ919-R249
	B4	AMV02GB6000J	BODY LINING UPPER	1	MC-CJ915/ MC-CJ913/ MC-CJ911
	B4	AMV02GB8000J	BODY LINING UPPER	1	MC-CJ919/ MC-CJ917
	B5	AMV06BB8020J	HANDLE COVER	1	
	B6	AMV02AB80V0J	UPPER BODY	1	
	B7	AMV75NB80V0J	GUIDE LEVER	1	
	B8	AMV46NB80V0J	CORD REWIND BUTTON	1	(CORD REWIND PEDAL)
	B9	AMV05EB80V0J	SWITCH PEDAL	1	(ON/ OFF SWITCH PEDAL)
	B10	AMC71N-4P0	SPRING	2	
	B12	AMV42KB80V0J	FILTER CASE	1	
	B13	AMV85LB5000J	EXHAUST PACKING UNIT	1	(HEPA FILTER) MC-CJ913/ MC-CJ911
	B13	AMV85LB8000J	EXHAUST PACKING UNIT	1	(HEPA FILTER) MC-CJ919/ MC-CJ917/ MC-CJ915
	B14	AMV31AB8020J	FURNITURE GUARD	1	
	B15	AMV73KB80V0J	DUST BOX PACKING	1	
	B16	AMV23KB8000J	DUST BAG HOLDER	1	
	B17	AMC34DYP000J	SPRING	1	
	B18	AMV01LB80V0J	REAR COVER	1	
	B19	AMC95C-0G0Z	CASTER UNIT	1	
	B20	AMV97AB60V0J	LOWER BODY UNIT	1	MC-CJ915/ MC-CJ913/ MC-CJ911
	B20	AMV97AB80V0J	LOWER BODY UNIT	1	MC-CJ919/ MC-CJ917
	B21	AMC43KRH000J	PRE-FILTER	1	
	B22	AMC30K-RH0	FILTER	1	(PRE MOTOR FILTER)
⚠	B23	AMV99NB600EJ	CORD REEL UNIT	1	MC-CJ915/ MC-CJ913/ MC-CJ911
⚠	B23	AMV99NB800EJ	CORD REEL UNIT	1	MC-CJ919/ MC-MC-CJ917
⚠	B24	AMV98NB8000J	RAIL BASE UNIT	1	
	B26	AMV87GB6000J	P.C.B ASSY	1	
⚠	B27	AMV13WB8000J	FUSE	1	250V/ 12A
	B28	AMV69VB6000J	LEAD WIRE C UNIT	1	
	B29	XTN4+16BFJ	SCREW	4	
⚠	B31	AMV99FB6000J	MOTOR CASE UNIT	1	MC-CJ915/ MC-CJ913/ MC-CJ911
⚠	B31	AMV99FB8000J	MOTOR CASE UNIT	1	MC-CJ919/ MC-CJ917
	B32	AMV25QB8000J	SWIVEL CAP	1	
⚠	B33	AMV59VB8000J	P.C.B HOLDER	1	
⚠	B34	AMV23EB8000J	INSULATION PLATE	2	
	B35	AMV33LB8000J	SPRING (FOR BLOWER COVER)	1	
	B36	AMV29LB80V0J	BLOWER COVER	1	
⚠	B37	AMV63FB8000J	MOTOR COVER	1	MC-CJ915/ MC-CJ913/ MC-CJ911
⚠	B37	AMV93FB8000J	MOTOR COVER UNIT	1	MC-CJ919/ MC-CJ917
	B38	AMV99GB6000J	NOISE SUPPRESSOR UNIT	1	
	B39	XTT4+10FFJ	SCREW	2	
	B40	AMC03FYD000J	MOTOR SUPPORT RUBBER (REAR)	1	
⚠	B41	AMV07FB8000J	MOTOR SUPPORT FRONT	1	
⚠	B42	AMV92FB400CJ	FAN MOTOR UNIT	1	MC-CJ915/ MC-CJ913/ MC-CJ911
⚠	B42	AMV92FB500CJ	FAN MOTOR UNIT	1	MC-CJ919/ MC-CJ917
	B43	AMV0VFB7000J	MOTOR SUPPORT FRONT AU	1	
	B44	AMV99KB8000J	DUST BAG	1	(CLOTH DUST BAG)
	B46	AMV0PFB4000J	MOTOR CASE SET	1	MC-CJ915/ MC-CJ913/ MC-CJ911
	B46	AMV0PFB5000J	MOTOR CASE SET	1	MC-CJ919/ MC-CJ917
	-	AMV72Z9U000J	CUSHION PLATE A	1	
	-	AMV69ZB8000J	CUSHION A	1	
	-	AMV70ZB8000J	CUSHION B	1	
	-	AMV0TZB8000J	CUSHION C	1	

Safety	Ref. No.	Part No.	Part Name & Description	Pcs/Set	Remarks
	-	AMV46ZB8000J	PARTITION BOARD	1	
	-	AMV01ZB8000J	INSTRUCTION BOOK	1	
	-	AMV61ZB4000J	INDIVIDUAL CARTON	1	MC-CJ911
	-	AMV61ZB5000J	INDIVIDUAL CARTON	1	MC-CJ913
	-	AMV61ZB6000J	INDIVIDUAL CARTON	1	MC-CJ915
	-	AMV61ZB7000J	INDIVIDUAL CARTON	1	MC-CJ917
	-	AMV61ZB8000J	INDIVIDUAL CARTON	1	MC-CJ919
	-	AMV10ZB8000J	BODY BAG	1	