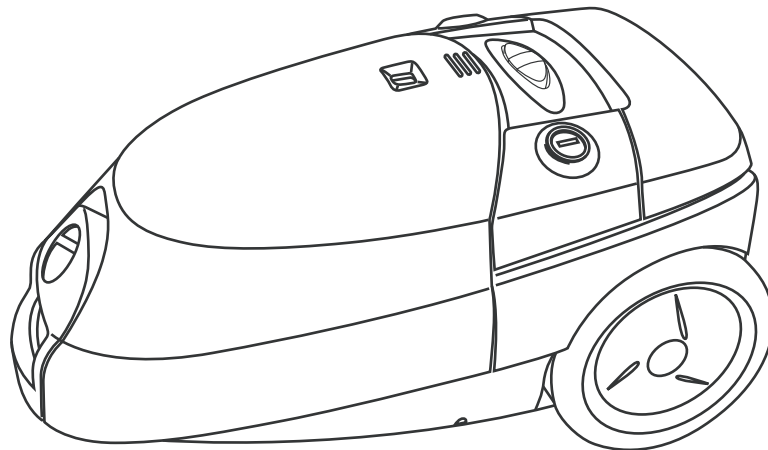


# Service Manual

Vacuum Cleaner  
MC-CG571/MC-CG573/MC-CG575



## SPECIFICATION

Model	MC-CG571			MC-CG573	MC-CG575
Power Source	AC220V	AC220~240V	AC240V	AC220V	AC220V
Frequency	50Hz	50/60Hz	50Hz	50Hz	50Hz
Power Consumption	1400W			1500W	1600W
Closed Suction	>1900mmH <sup>2</sup> O				
Intial Air Flow	>1.8m <sup>3</sup> /min			>2.0m <sup>3</sup> /min	
Air Power	Cloth Bag 330W	Cloth Bag 330W	Paper Bag 330W	Cloth Bag 350W	Cloth Bag 380W
Dust Capacity	4.0 liters				
Body Dimension mm (W X L X H)	294mm X 488mm X 238mm				
Weight	4.9kg			4.9kg	5.3kg
Cord Length	5 m				

\* Specifications are subject to change without notice for future improvement.

### WARNING

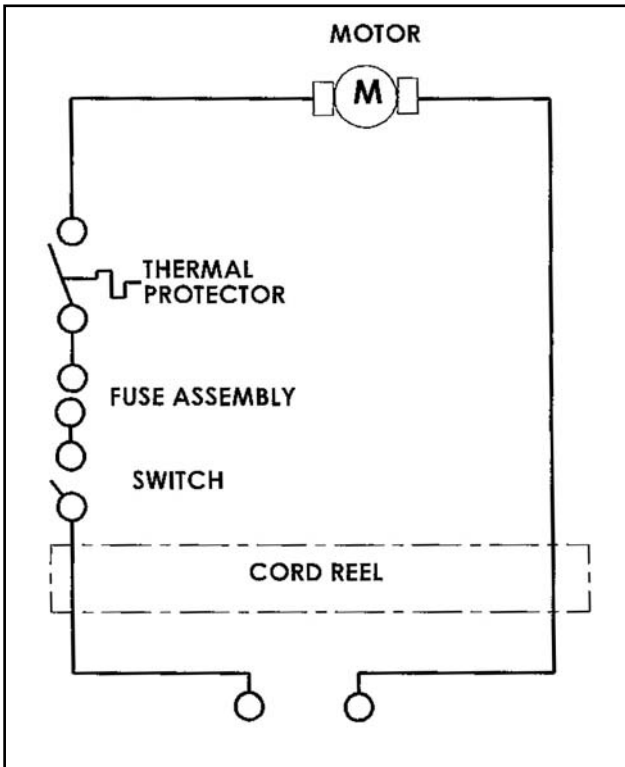
This service information is designed for experienced repair technicians only and is not designed for use by the general public. It does not contain warnings or cautions to advise non-technical individuals of potential dangers in attempting to service a product. Products powered by electricity should be serviced or repaired only by experienced professional technicians. Any attempt to service or repair the product or products dealt with in this service information by anyone else could result in serious injury or death.

# Panasonic

© 2007 Panasonic Manufacturing Malaysia Berhad (6100-K). Unauthorized copying and distribution is a violation of law.

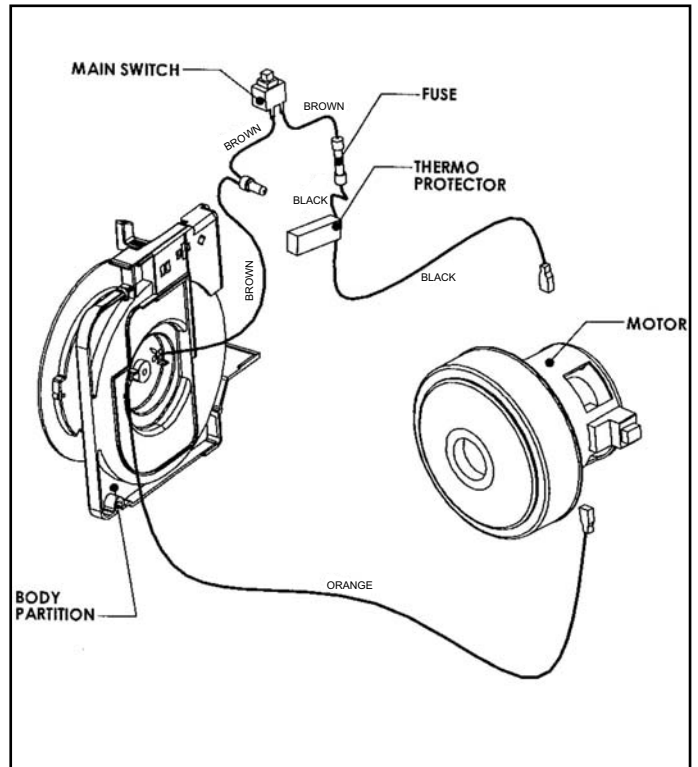
# SCHEMATIC DIAGRAM

## MC-CG571 General



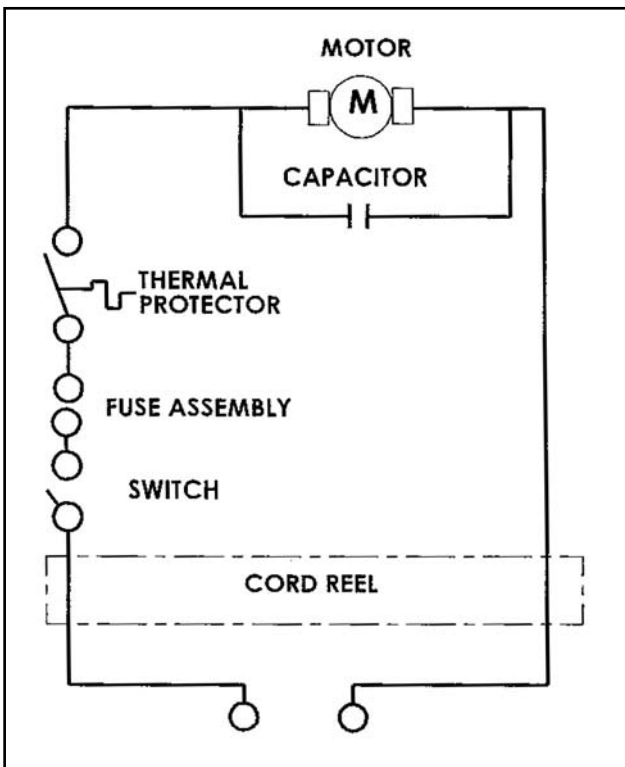
# PICTORIAL DIAGRAM

## MC-CG571 General



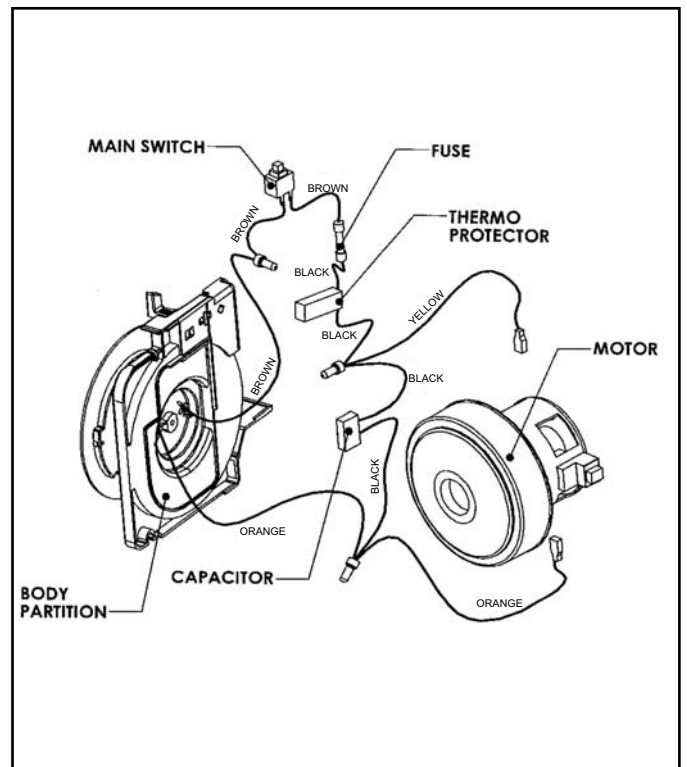
# SCHEMATIC DIAGRAM

## MC-CG571 Saudi



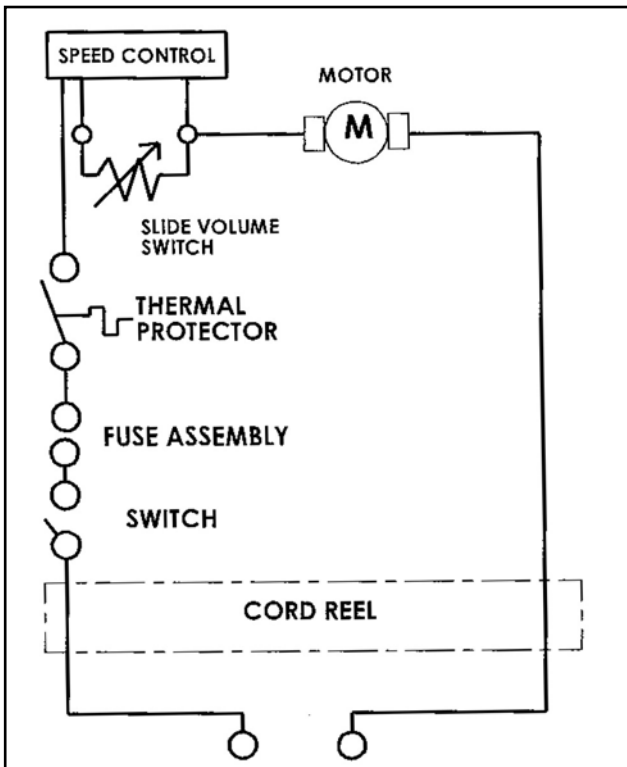
# PICTORIAL DIAGRAM

## MC-CG571 Saudi



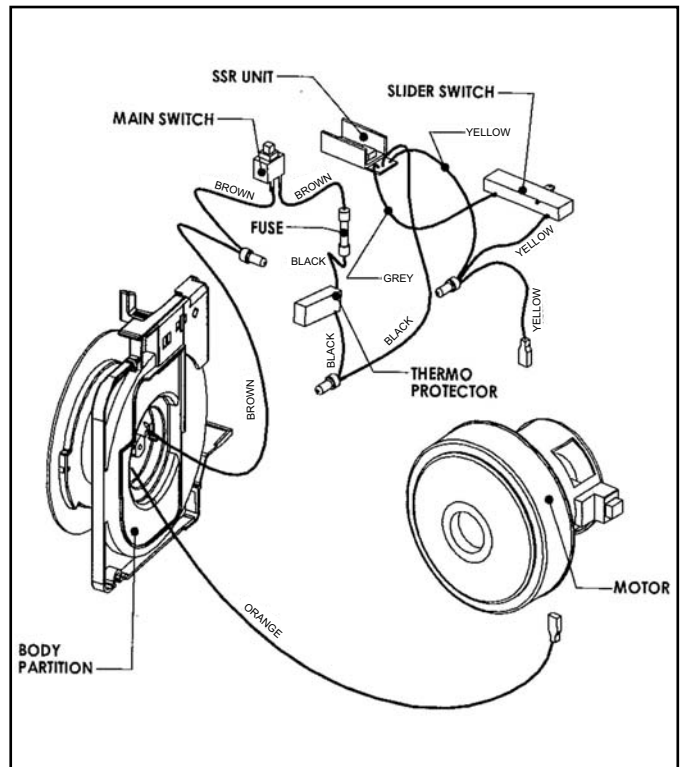
# SCHEMATIC DIAGRAM

## MC-CG573



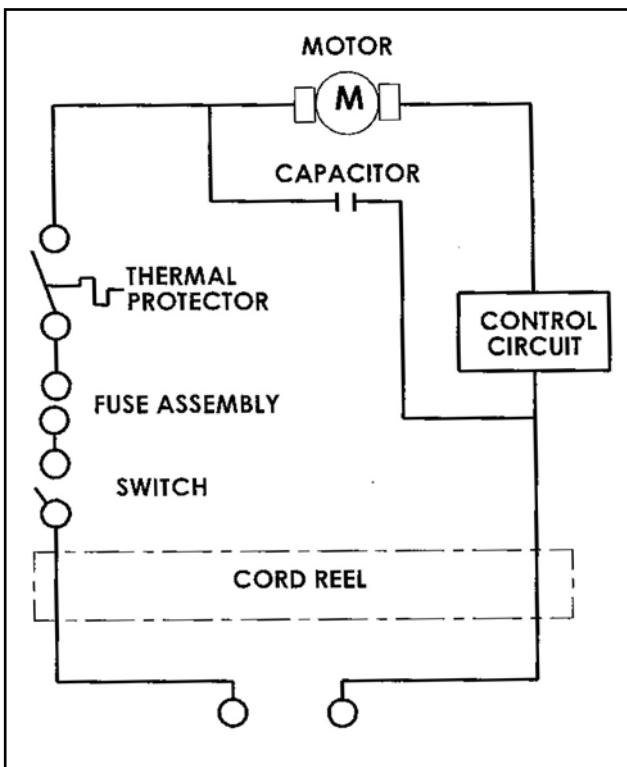
# PICTORIAL DIAGRAM

## MC-CG573



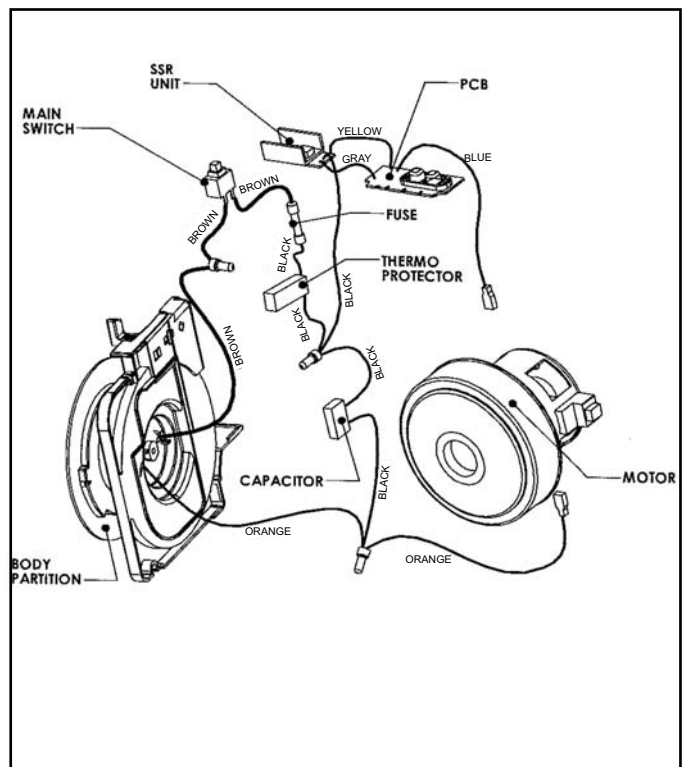
# SCHEMATIC DIAGRAM

## MC-CG575 with Capasitor



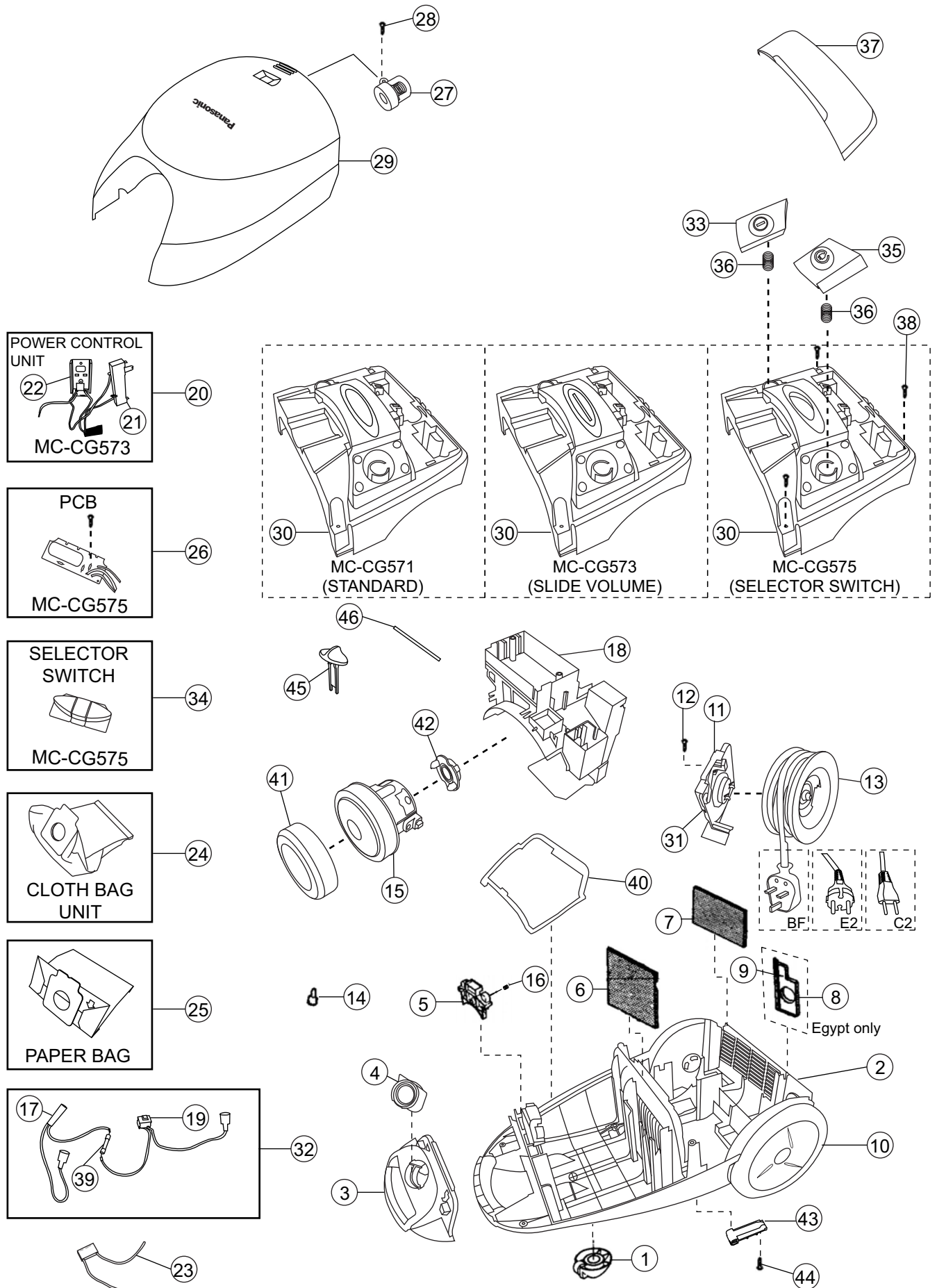
# PICTORIAL DIAGRAM

## MC-CG575 with Capasitor



# EXPLODED VIEW

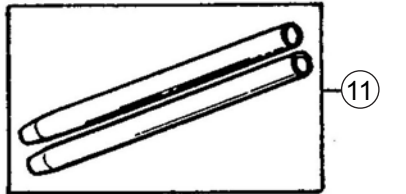
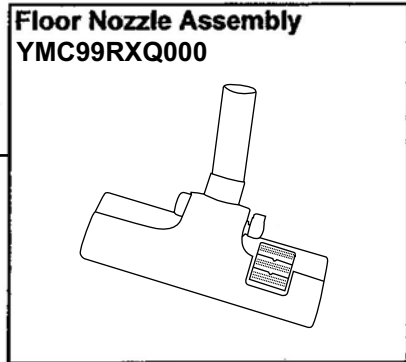
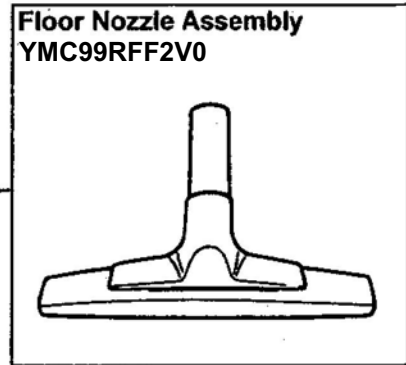
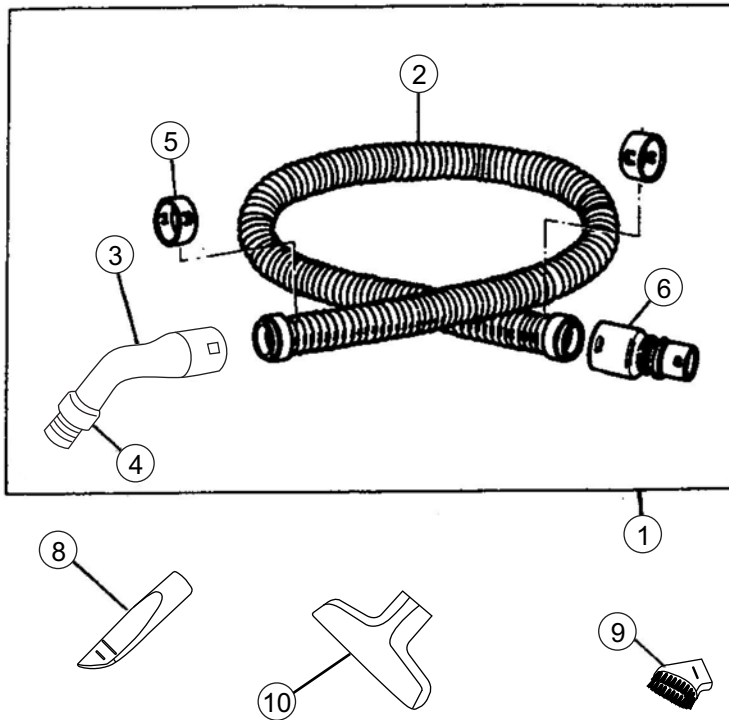
## MC-CG571/MC-CG573/MC-CG575



# REPLACEMENT PARTS LIST

Ref. No.	Part Name	Part No.	Model (Pcs/Set)			Remarks
			MC-CG571	MC-CG573	MC-CG575	
1	Caster Unit	AMC95C-7K000	1	1	1	
2	Lower Body	YMV03A4Y000	1	1	1	Others without blower
(2)	Lower Body	YMV03A4Y00X	1	1	1	Egypt with blower
3	Front Cover	YMV01H4Y0R0	1	1	1	Red
4	Air Intake Packing	YMC64HKK000	1	1	1	
5	Bag Clamper	YMC22KKK0V0	1	1	1	
6	Secondary Filter	YMC37KKK000	1	1	1	
7	Exhaust Filter	YMC38KKK000	1	1	1	
8	Blower Outlet Unit	YMC96LKK000	1	1	1	Egypt
9	Blower Cover Spring	AMC33L-7K000	1	1	1	
10	Wheel	YMC01CFF1V0	2	2	2	Grey
11	Body Partition Unit	YMV96A4W000	1	1	-	
(11)	Body Partition Unit	YMV96A4Y000	1	-	1	
12	Pan Tap Screw	XTN4+12BFY	1	1	1	for Body Partition
13	Cord Reel Unit (C-2)	YMV99N4Y000	-	-	1	Egypt AC220V 50Hz
(13)	Cord Reel Unit (C-2)	YMV99N4W00B	1	1	-	Egypt,S'pore2 AC220V 50Hz
(13)	Cord Reel Unit (E-2)	YMV99N4W00E	1	-	-	UAE2,Iran AC230-240V 50Hz
(13)	Cord Reel Unit (BF)	YMV99N4Y008	1	-	-	Saudi AC230-240V 50Hz
(13)	Cord Reel Unit (BF)	YMV99N4W008	1	-	-	M'sia AC240V 50Hz
(13)	Cord Reel Unit (BF)	YMV99N4W00C	1	-	-	Kuwait AC230V 50Hz
14	Close End Connector	CE-230	1	1	2	
15	Motor Unit 1402T	YMC92FTX00B	1	1	-	AC220V Egypt & S'pore Re-export
(15)	Motor Unit 1602T	YMC92FTA00B	-	-	1	AC220V Egypt
(15)	Motor Unit 1404T	YMC92FTX00C	1	-	-	AC240V UAE,Iran,Saudi,Kuwait,M'sia
16	Bag Clamper Spring	YMC38DFF000	1	1	1	
17	Thermal Protector	YMV20W4Y000	1	1	1	
18	Motor Support Cover	YMV63F4Y000	-	-	1	
(18)	Motor Support Cover	YMV63F4W000	1	1	-	
19	Main Switch	YMV98E4Y00B	1	1	1	
(19)	Main Switch	YMV98E4W00B	1	-	-	Egypt,Iran,UAE,Kuwait,M'sia,S'pore2
20	Power Control Unit	YMV39V4X00B	-	1	-	For 50Hz
21	Slide Volume Unit	YMV57V4X00B	-	1	-	Egypt & S'pore Re-Export
22	SSR Unit	YMV58V4Y000	-	-	1	Egypt
(22)	SSR Unit	YMV58V4X000	-	1	-	Egypt & S'pore Re-Export
23	Capacitor	YMC46FSG000	1	-	1	
24	Cloth Bag Unit	AMC99KRT000	1	1	1	
25	Paper Bag	YMC16KFW30V	1	-	-	Malaysia Only
26	PCB A Unit	YMC89VXQ00C	-	-	1	
27	Indicator Pipe Unit	YMV994W000	1	1	-	
(27)	Indicator Pipe Unit	YMCV994Y000	-	-	1	
28	Screw	XTN4+12BFJ	1	1	1	For Indicator Pipe Unit
29	Dust Cover Ass'y	YMV93K4Y000	-	-	1	
(29)	Dust Cover Ass'y	YMV93K4X000	-	1	-	
(29)	Dust Cover Ass'y	YMV93K4W000	1	-	-	
30	Upper Body	YMV02A4Y0R0	-	-	1	Red
(30)	Upper Body	YMV02A4X0R0	-	1	-	Red
(30)	Upper Body	YMV02A4W0R0	1	-	-	Red
31	Brake Lever Unit	YMC94N4Y000	1	1	1	
32	Main Switch Ass'y	YMV98E4Y00B	1	1	1	Direct to Close End connector
(32)	Main Switch Ass'y	YMV98E4W00B	1	-	-	Direct to Motor terminal
33	Switch Pedal	YMV46N4Y000	1	1	1	
34	Selector Switch Unit	YMC89EKM000	-	-	1	
35	Brake Pedal	YMV05E4Y000	1	1	1	
36	Switch Pedal Spring	YMV08E4Y000	1	1	1	
37	Tool Storage Cover	YMV74P4Y000	1	1	1	
38	Pan Tap Screw	XTN4 + 25BFJ	4	4	4	For Upper Body
39	Fuse Unit	YMV97W4Y00C	1	1	1	10A
40	Dust Cover Packing	YMC66KKK200	1	1	1	
41	Front Motor Supporter	YMC02FQU000	-	-	1	
(41)	Front Motor Supporter	YMC02FYX000	1	1	-	
42	Rear Motor Supporter	AMC03F-PQ000	-	-	1	
(42)	Rear Motor Supporter	YMC03FSG000	1	1	-	
43	Nozzle Holder	YMC76PKK0V0	1	1	1	
44	Pan Tap Screw	XTN4+16BFJ	1	1	1	
45	Slider Knob (Metalic)	YMV57H4X0S0	-	1	-	Egypt only
45	Slider Knob (Black)	YMV57H4X000	-	1	-	Others
46	Tight Packing	YMV81A4X000	-	1	-	

# EXPLODED VIEW (Attachment)

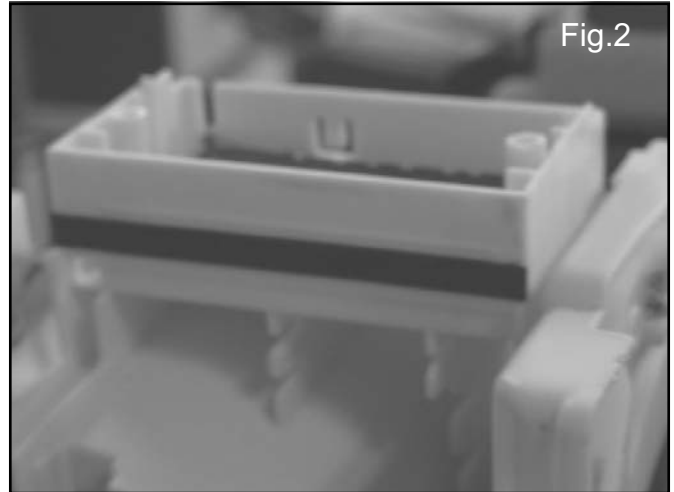


## ATTACHMENT PARTS LIST

Ref. No.	Part Name	Part No.	Model (Pcs/Set)			Remarks
			MC-CG571	MC-CG573	MC-CG575	
1	Hose Assembly	AMC94P-6L0V0	1	1	1	Grey
2	Hose Unit	AMC84P-6L0V0	1	1	1	
3	Curved Wand	AMC30PDE0V0	-	1	1	Antistatic
(3)	Curved Wand	YMC30P0R0V0	1	-	-	
4	Suction Regulator	AMC54P-7K0V0	1	1	1	
5	Hose Supporter	AMC24P-0R0V0	1	1	1	
6	Connection Pipe	AMC02P-0R0V0	1	1	1	
7	Floor Nozzle Ass'y	YMC99RXQ000	-	1	1	
(7)	Floor Nozzle Ass'y	YMC99RFF2V0	1	-	-	
8	Crevice Tool	YMC60R0G2V0	1	1	1	
9	Dusting Brush Unit	YMC88RKK0V0	1	1	1	
10	Upholstery Nozzle Unit	AMC86RXQ000	1	1	1	
11	Extension Wand	AMC40PB12V0	1	-	-	Egypt,Kuwait,M'sia
(11)	Extension Wand	YMC40PQN000	1	1	1	Egypt,S'pore2,Saudi2,UAE,Iran

## CAUTION

Whenever conduct repairing for model: MC-CG573 please do make sure that before re-assemble the upper body kindly check the tight packing were assembled as shown on the below diagram.



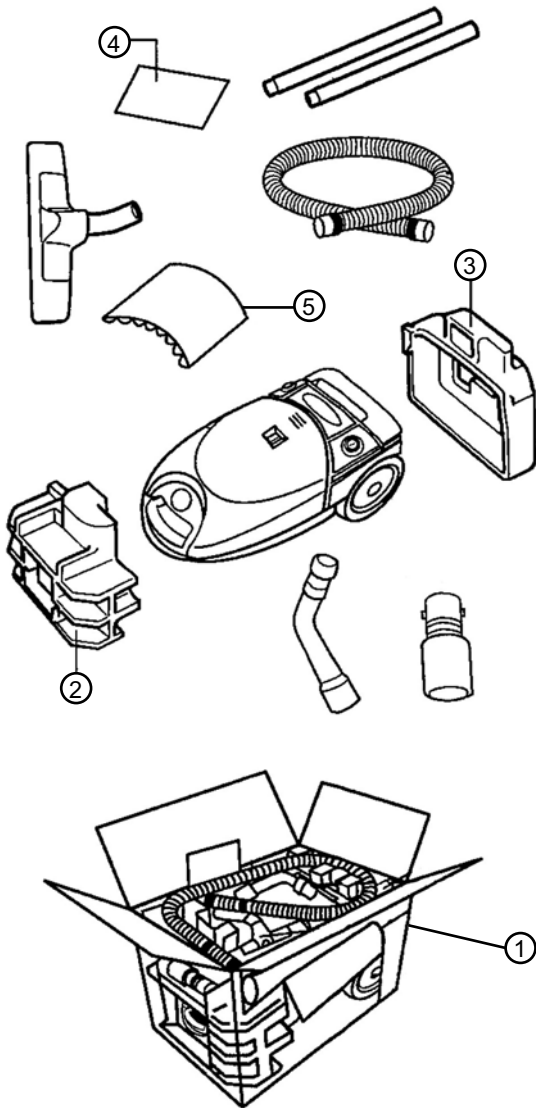
\* This is a compulsory method which need to follow strictly by all servicemen.

# TROUBLE SHOOTING GUIDE

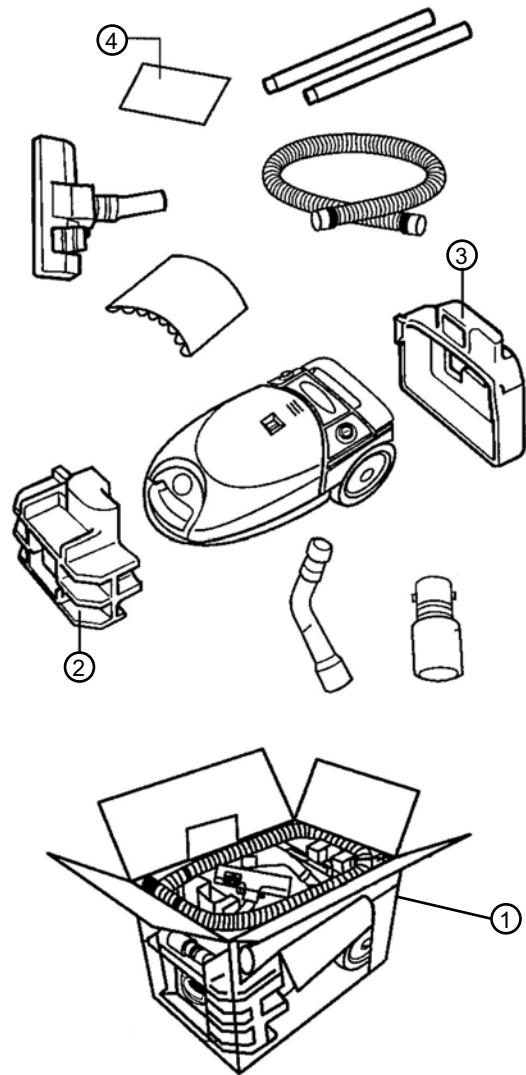
CONDITION	CHECKPOINT	CHECK METHOD	CAUSE/REMEDY
<b>MOTOR DOES NOT ROTATE</b>	<ul style="list-style-type: none"> <li>* Power outlet</li> <li>* Continuity of Power cord.</li> <li>* Continuity between rail of cord reel unit and cord plug.</li> <li>* Continuity of motor.</li> <li>* Contact with motor carbon brush and rotor.</li> <li>* Continuity of main switch.</li> </ul>	<ul style="list-style-type: none"> <li>* Measure power source voltage at plug socket with tester.</li> <li>* Connect tester across both conductive blades of plug and check deflection of tester needle when main switch turns on or off.</li> <li>* Short across AC plug end then with tester check for continuity across rail copper rings of cord reel unit.</li> <li>* Check continuity between lead wires connected from motor.</li> <li>* Check if there is gap between carbon brush and rotor.</li> <li>* Connect tester across main switch terminals and make switch actuator on and off.</li> </ul>	<ul style="list-style-type: none"> <li>* If voltage is lower than specified, Power source is defective.</li> <li>* Cord is open, if tester needle does not move.</li> <li>* Cord is open or rail of cord reel unit defective if tester needle does not move.</li> <li>* If there is no continuity, motor, stator/rotor coil is open.</li> <li>* If there is gap, dust is accumulated in brush holder or brush is worn out, adjust or replace.</li> <li>* If no continuity, main switch is defective.</li> </ul>
<b>POOR SUCTION POWER. (CHECK IF DUST INDICATOR SHOWS FULL.)</b>	<ul style="list-style-type: none"> <li>* Dust Cover.</li> <li>* Hose or wand clogged with dust.</li> <li>* Dust in paper/cloth bag.</li> </ul>	<ul style="list-style-type: none"> <li>* Check if dust cover is full.</li> <li>* Check all hose and wands for clog.</li> <li>* Check dust accumulated in paper/cloth bag.</li> </ul>	<ul style="list-style-type: none"> <li>* Remove dust.</li> <li>* If clogged, remove clog.</li> <li>* Check paper/cloth Bag or replace.</li> </ul>
<b>CORD REWINDS BY ITSELF</b>	<ul style="list-style-type: none"> <li>* Oil adhering on brake roller.</li> <li>* Brake spring deformed.</li> <li>* Oil on outside circumference of cord reel assembly.</li> </ul>	<ul style="list-style-type: none"> <li>* Check by hand.</li> <li>* Move lever by hand to see if brake lever returns to original position.</li> <li>* Touch surface of the cord reel by hand and see if oil is on it.</li> </ul>	<ul style="list-style-type: none"> <li>* Wipe with cloth dipped in alcohol.</li> <li>* If it does not return, brake spring is defective. Replace.</li> <li>* Wipe with cloth dipped in alcohol.</li> </ul>
<b>CORD WOUND IMPROPERLY</b>	<ul style="list-style-type: none"> <li>* Winding of cord on reel.</li> </ul>	<ul style="list-style-type: none"> <li>* Pull out 2 ~ 3 times and see if cord is entirely rewound on cord reel.</li> </ul>	<ul style="list-style-type: none"> <li>* If 1 ~ 2m of cord is not rewound, increase cord reel tension by one turn.</li> </ul>
<b>NOISE AND VIBRATION</b>	<ul style="list-style-type: none"> <li>* Dust in motor fan.</li> <li>* Carbon brushes.</li> </ul>	<ul style="list-style-type: none"> <li>* Check dust in motor fan.</li> <li>* Check for uneven wear of carbon.</li> </ul>	<ul style="list-style-type: none"> <li>* Clean dust out of motor fan and check filter position &amp; condition.</li> <li>* Replace carbon brushes (Replace carbon brushes at same time).</li> </ul>
<b>POWER CUT OFF AUTOMATICALLY</b>	<ul style="list-style-type: none"> <li>* Power failure.</li> <li>* Over heated.</li> <li>* Control circuit brake off</li> </ul>	<ul style="list-style-type: none"> <li>* Check your power supply.</li> <li>* Check conductivity of thermo protector.</li> <li>* Check connector contacts and condition of components.</li> </ul>	<ul style="list-style-type: none"> <li>* Install your power supply.</li> <li>* Let set cool down for 20 minute, thermo protector will "ON" again automatically.</li> <li>* Replace new control circuit.</li> </ul>



# PACKING INSTRUCTION MC-CG571 (DOMESTIC & EXPORT)



# MC-CG573/MC-CG575 (EXPORT)



## PACKING LIST

(Malaysia)

Ref. No.	Part Name	Part No.	Qty	Remarks
1	Carton Box	YMCV61Z4W00V	1	Malaysia - Red
2	Cushion A	YMCV69Z4Y000	1	
3	Cushion B	YMCV70Z4Y000	1	
4	Instruction Book	YMCV01Z4Y00V	1	E/C/M
5	Partition Board	YMC46Z7K000	1	

(Export)

Ref. No.	Part Name	Part No.	Model (Pcs/Set)			Remarks
			MC-CG571	MC-CG573	MC-CG575	
1	Carton Box	YMCV61Z4Y00X		-	1	Egypt
(1)	Carton Box	YMCV61Z4X00X	-	1	-	Egypt
(1)	Carton Box	YMCV61Z4X00C	-	1	-	S'pore Re-export
(1)	Carton Box	YMCV61Z4W00X	1	-	-	Egypt
(1)	Carton Box	YMCV61Z4W00C	1	-	-	Others
2	Cushion A	YMCV69Z4Y000	1	1	1	
3	Cushion B	YMCV70Z4Y000	1	1	1	
4	Instruction Book	YMCV01Z4Y000	1	1	1	