

Service Manual

[TOP NEXT](#)

ORDER NO.VCD00070001C3

Service Manual

Vacuum Cleaner

MC-9040



SPECIFICATIONS

Model	MC-9040
Power Source	AC220V, AC240V 50/60Hz, 50Hz
Motor Power	1600W
Dust Capacity	20.0L
Dimensions (H x W x L)	584mm x 340mm x 366mm
Weight (With Attachments)	6.9kg
Cord Length	8.0m
Attachments	Hose, Extension Wand, Floor Nozzle Extension Wand Holder Crevice Tool Upholstery Nozzle

Specifications are subject to change without notice for further improvement.

© 1995 Matsushita Electric Industrial Co., Ltd. All rights reserved. Unauthorized copying and distribution is a violation of law.

National

@

[TOP NEXT](#)

1 PICTORICAL DIAGRAM

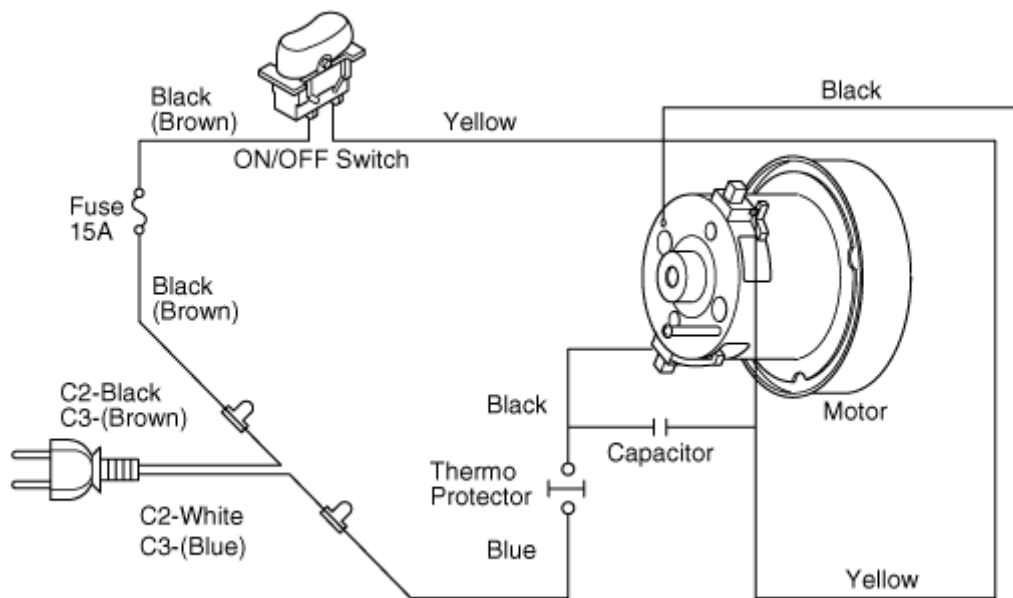
[TOP](#) [PREVIOUS](#) [NEXT](#)

*AC220V 50/60Hz, 240V 50Hz

The colour of the lead wire in () is for AC-220V (with C3 purg).

The products of AC-240V only have a fuse(15A) in the upper body.

As for AC-220V product,the fuse (13A) is installed in C3 plug.



@

[TOP](#) [PREVIOUS](#) [NEXT](#)

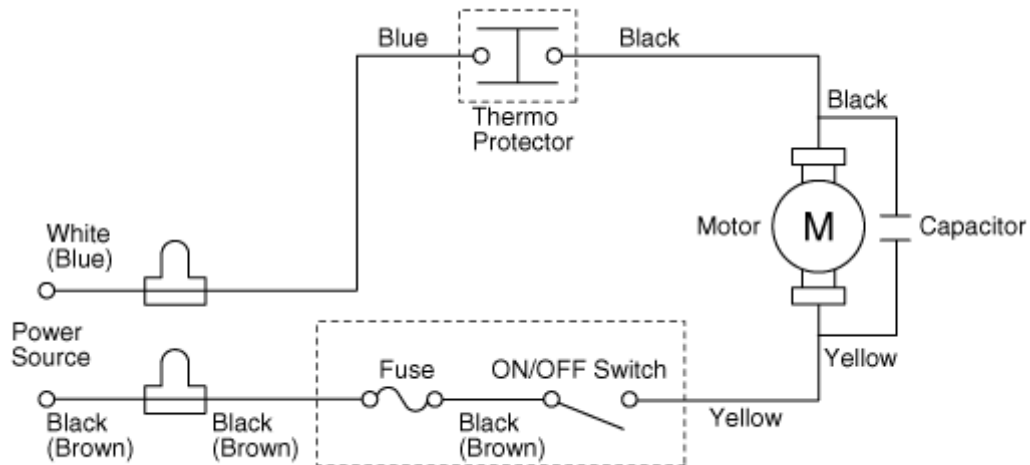
2 SHEMATIC DIAGRAM

[TOP](#) [PREVIOUS](#) [NEXT](#)

*AC220V 50/60Hz, 240V 50Hz

The products of AC-240V only have a fuse(15A) in the upper body.

As for AC-220V product,the fuse (13A) is installed in C3 plug.



@

[TOP](#) [PREVIOUS](#) [NEXT](#)

3.1 LOWER BODY

[TOP](#) [PREVIOUS](#) [NEXT](#)

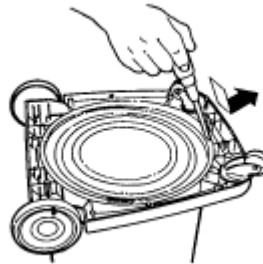
Removing

1. Insert a screw-drive (-) into the reverse side of the Frame and push out the Claw at the frame for taking out the Lower Body ([Fig.1](#)).

Assemble

1. Attach the Lower Body to the Frame and push in slowly to attach it. Align the '▲' mark on Frame& Lower Body.

Fig.1



@

[TOP](#) [PREVIOUS](#) [NEXT](#)

3.2 MAIN SWITCH UNIT

[TOP](#) [PREVIOUS](#) [NEXT](#)

1. Remove the Handle from the Body Cover and cut off the lead wire (Black/Brown) connecting at the Fuse Assembly, at the end of power cord.

Reconnect to power cord by closed end connector.

2. Connect a new switch unit (spotted with lead wires) to the Fuse lead wire using a closed end connector.

Fig.2



@

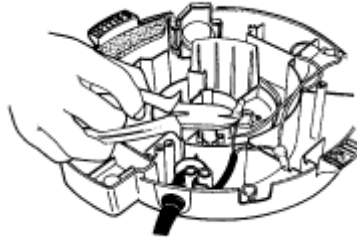
[TOP](#) [PREVIOUS](#) [NEXT](#)

3.3 THERMO PROTECTOR UNIT

[TOP](#) [PREVIOUS](#) [NEXT](#)

1. Cut the lead wire blue to replace the Thermo Protector Unit. ([Fig.3](#)) Connect by closed end connector.

Fig.3



@

[TOP](#) [PREVIOUS](#) [NEXT](#)

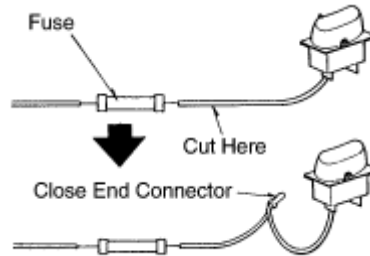
3.4 FUSE ASSEMBLY

[TOP](#) [PREVIOUS](#) [NEXT](#)

1. If Fuse of the main switch is damaged, cut off the lead wire, which connect the Fuse to the cord wire (Black/Brown) and lead wire connected at the Main Switch.

Replace the Fuse and connect to the Cord wire and Main Switch using a closed end connector. ([Fig.4](#))

Fig.4



@

[TOP](#) [PREVIOUS](#) [NEXT](#)

3.5 BLOWER OUTLET UNIT

[TOP](#) [PREVIOUS](#) [NEXT](#)

1. Remove the Blower Outlet Unit by pulling the spring which is located at the Body cover, locking the Blower Outlet Assembly upwards. ([Fig.5](#))

Fig.5



@

[TOP](#) [PREVIOUS](#) [NEXT](#)

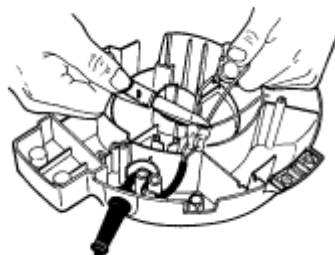
3.6 POWER CORD

[TOP](#) [PREVIOUS](#) [NEXT](#)

Removing

1. Cut off the lead wire (Black/Brown) and lead wire (White/Blown) to replace the Power Cord. ([Fig.6](#))

Fig.6



Assemble

1. Pull the wire to the motor supporter center ([Fig.7](#)) and the wire accordingly into Body Cover strain relief. ([Fig.8](#))

Fig.7

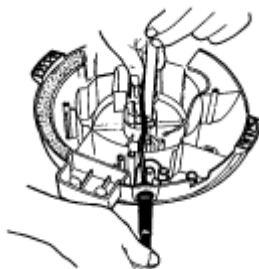
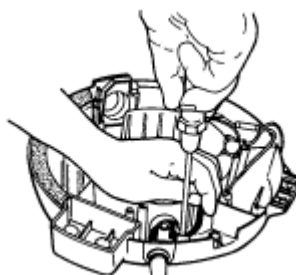


Fig.8



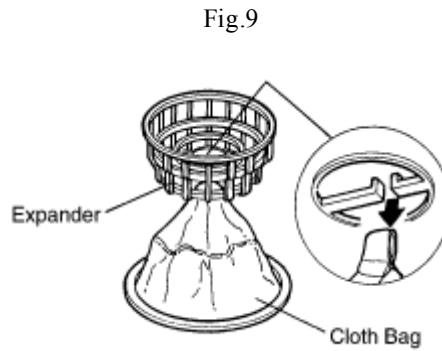
@

[TOP](#) [PREVIOUS](#) [NEXT](#)

3.7 FILTER UNIT

[TOP](#) [PREVIOUS](#) [NEXT](#)

1. Remove the Cloth Bag from the Expander. ([Fig.9](#))



@

[TOP](#) [PREVIOUS](#) [NEXT](#)

3.8 INDICATOR UNIT

[TOP](#) [PREVIOUS](#) [NEXT](#)

1. Remove the indicator unit from the Upper Body by pressing the indicator unit claw with long nose pliers.
2. To assemble the indicator unit, put in the indicator unit edge at the Body Cover groove and slowly press in the Indicator Unit claw to the Upper Body. ([Fig.10](#))

Make sure no gap remain between Indicator Unit Inlet& upper Body.

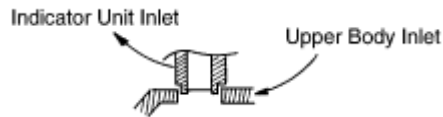
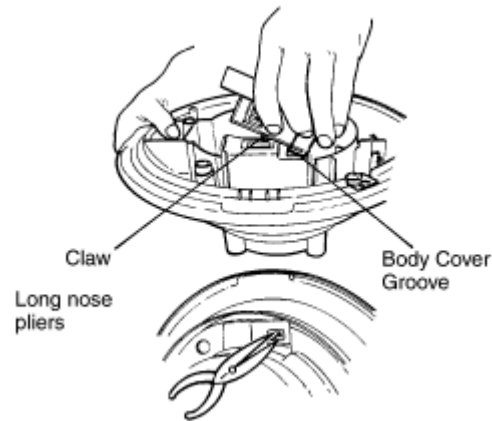


Fig.10



@

[TOP](#) [PREVIOUS](#) [NEXT](#)

3.9 MOTOR

[TOP](#) [PREVIOUS](#) [NEXT](#)

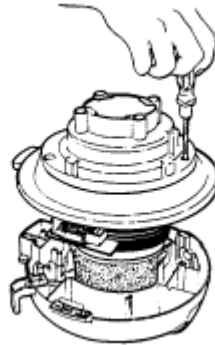
Removing

1. Separate the motor Body cover& Upper Body. ([Fig.11](#))
2. Remove motor support rubber (Front and Rear)& noise suppressor. (Fig.11)

Assembling

1. Mount motor support rubber (Front and Rear) and noise suppressor to new motor.
2. Make a wiring according to the wiring diagram and set it into the Body Cover before Cover by Upper Body& Screw tighten. (Screw XTN4+25BFY)

Fig.11



@

[TOP](#) [PREVIOUS](#) [NEXT](#)

3.10 CARBON BRUSH

[TOP](#) [PREVIOUS](#) [NEXT](#)

Removing

1. Open cover.([Fig.12](#))
2. Take out carbon brush from carbon brush holder. ([Fig.13](#))
3. Check if the carbon brush is worn out abnormally (10mm or shorter).

When the motor does not rotate due to the wear of the carbon brush, replace the motor unit.

Fig.12

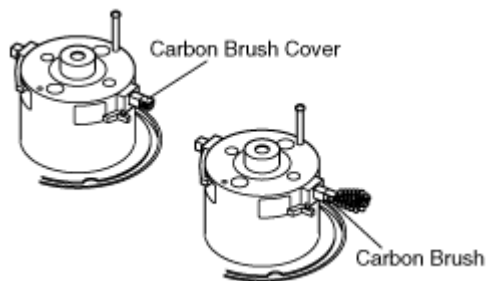
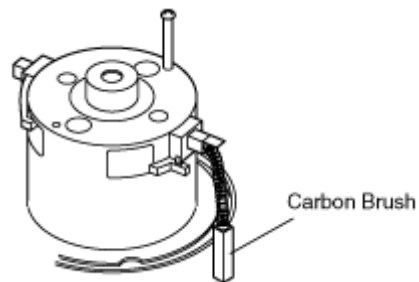


Fig.13



@

[TOP](#) [PREVIOUS](#) [NEXT](#)

3.11 LEAD WIRE

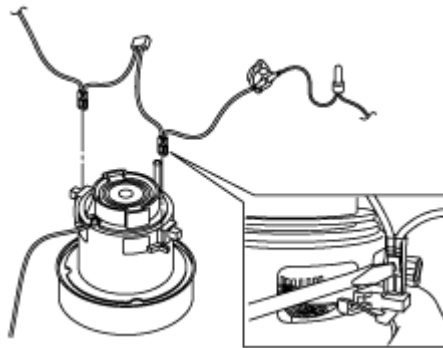
[TOP](#) [PREVIOUS](#) [NEXT](#)

Removing

1. Directions for removing the lead wires connected at the both terminals of the motor.

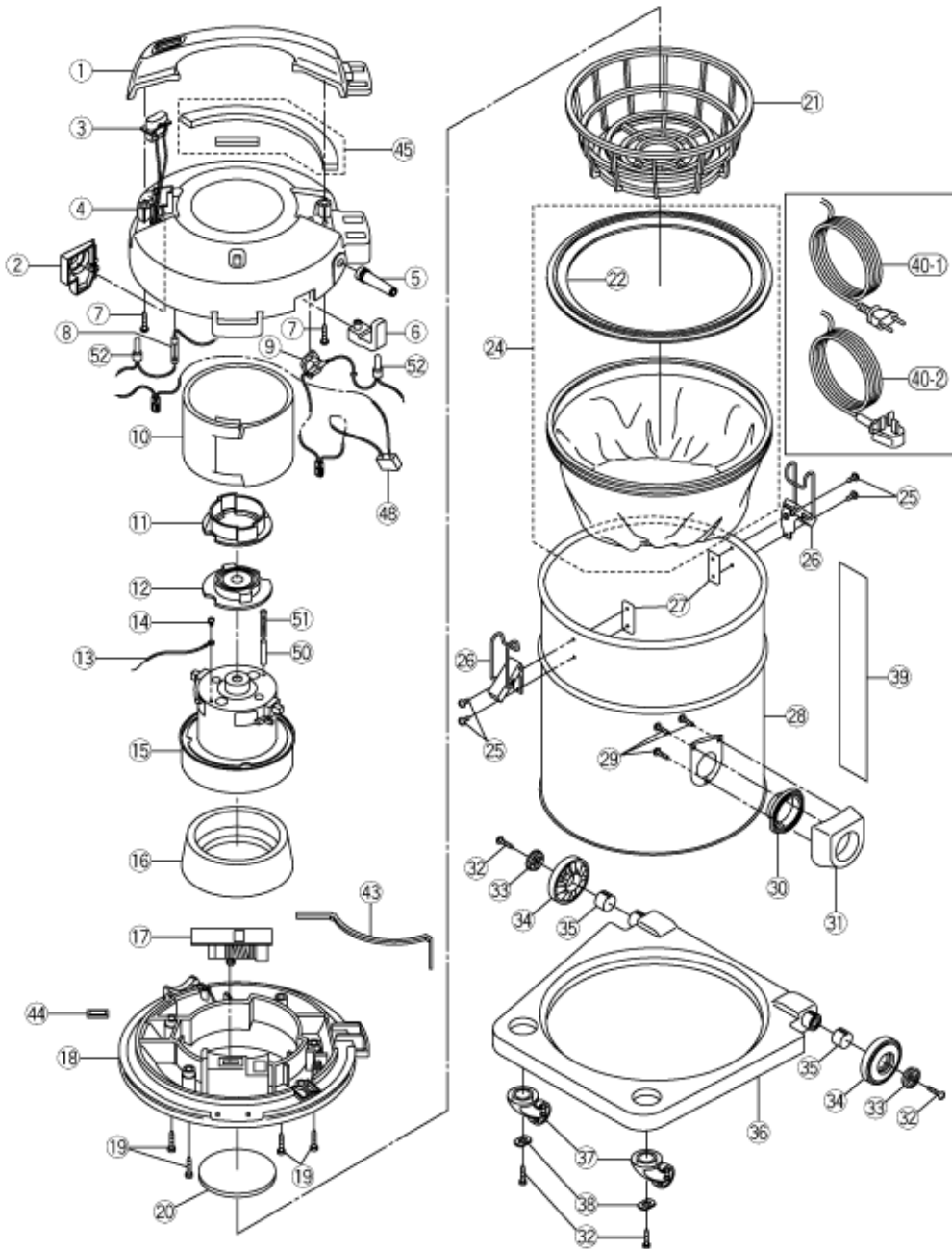
While pressing the center of the terminal (fitted with a tube) fitted on the lead wire with (-) driver, pull out the lead wire. ([Fig.14](#))

Fig.14



@

[TOP](#) [PREVIOUS](#) [NEXT](#)



5 PARTS LIST (BODY UNIT)

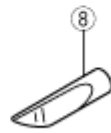
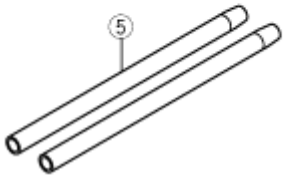
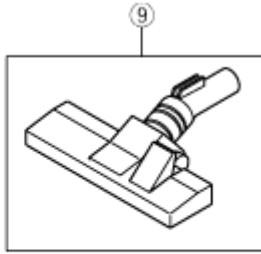
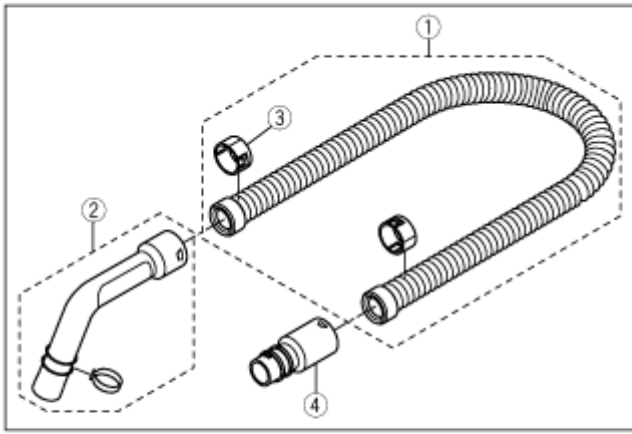
[TOP](#) [PREVIOUS](#) [NEXT](#)

Ref. No.	Part No.	Part Name& Description	Remarks
1	AMC01B-DE0G	Handle	
2	AMC96L-DD0V	Blower Outlet Unit	with Cover Spring
3	AMC98E-QN0V	Main Switch Unit	without Fuse AC220V
3	AMC98E-QN0B	Main Switch Unit	with Fuse AC240V
4	AMC24A-NS0G	Body Cover	
5	AMC51E-BY0	Cord Bushing	
6	AMC53E-DD0G	Cord Storage Hook	
7	XTT4+20BFY	Truss Screw	
8	AMC99W-DD0	Fuse Unit (15A)	AC240V model only
9	AMC98W-QN0	Thermal Protector Unit	
10	AMC99G-QN0	Noise Suppressor Unit	
11	AQMC07F-DD0	Motor Supporter	
12	AMC03F-QN0	Rear Motor Supporter	
13	AMC85G-DD0	Read Wire Black Unit	
14	XTN4+8FFY	Screw (Tap Tite Screw)	
15	AMC92F-QN00B	Motor Unit	AC220V
15	AMC92F-QN00C	Motor Unit	AC240V
16	AMC02F-QN0	Front Motor Supporter	
17	AMC98M-NS0	Indicator Unit	
18	AMC98A-QN0V	Upper Body Unit	
19	XTN4+25BFY	Screw	
20	AMC30K-QN0	Filter	
21	AMC18K-DD0	Expander	
22	AMC10K-C90	Bag Supporter	
24	AMC99K-DD0	Cloth Bag Unit	
25	XYN4+C8FY	Screw	
26	AMC99D-JJ0	Buckle Unit	
27	AMC32D-B300C	Buckle Plate	
28	AMC03A-QN0G	Lower Body	
29	XTT35+16BFY	Truss Tapping Screw	
30	AMC50K-J300C	Valve Grommet	
31	AMC01H-DD0H	Front Cover	
32	XTN4+16BFY	Tapping Screw	
33	AMC05C-L90H	Wheel Cap	
34	AMC01C-9403	Wheel	
35	AMC02C-97000C	Wheel Supporter	
36	AMC43A-QN0V	Frame	
37	AMC95C-0E0H	Caster Unit	
38	AMC26C-B00	Washer	
39	AMC05T-QN0	Sticker	
40-1	AMC93E-NS00A	Power Cord w/plug (C-3)	AC220V
40-2	AMC96E-NS0	Power Cord w/plug (C-2)	AC240V
41	AMC16W-8600B	Plug Adapter C2/B2	
43	AMC81A-QN0	Tight Packing	

44	AMC09M-QN0	Indicator Packing	
45	AMC85L-QN0	Exhaust Packing Unit	
46	AMC21Z-CQ00K	Note Label	AC240V only/ Only for Fuse model
48	AMC94F-QN0	Capacitor Unit	with Thermo Protector
49	AMC30L-QN0	Exhaust Packing	
50	AMC74S-QN0	Stopper	
51	XTN4+35FFX	Screw	
52	CE-230	Washer (Close End Connector)	

@

[TOP](#) [PREVIOUS](#) [NEXT](#)



7 PARTS LIST (ATTACHMENTS)

[TOP](#) [PREVIOUS](#) [NEXT](#)

Ref. No.	Part No.	Part Name& Description	Remarks
1	AMC84P-DD0V	Horse	
2	AMC98P-0R03	Curved Wand	
3	AMC24P-0R0V	Hose Supporter	
4	AMC09P-0R0V	Connection Pipe	
5	AMC40P-DE0	Extension Wand	
6	AMC70P-7K0	Extension Wand Holder	
7	AMC86R-860V	Upholstery Nozzle Unit	
8	AMC60R-0G03	Crevice Tool	
9	AMC99R-JK0U	Floor Nozzle Assy	

@

[TOP](#) [PREVIOUS](#) [NEXT](#)

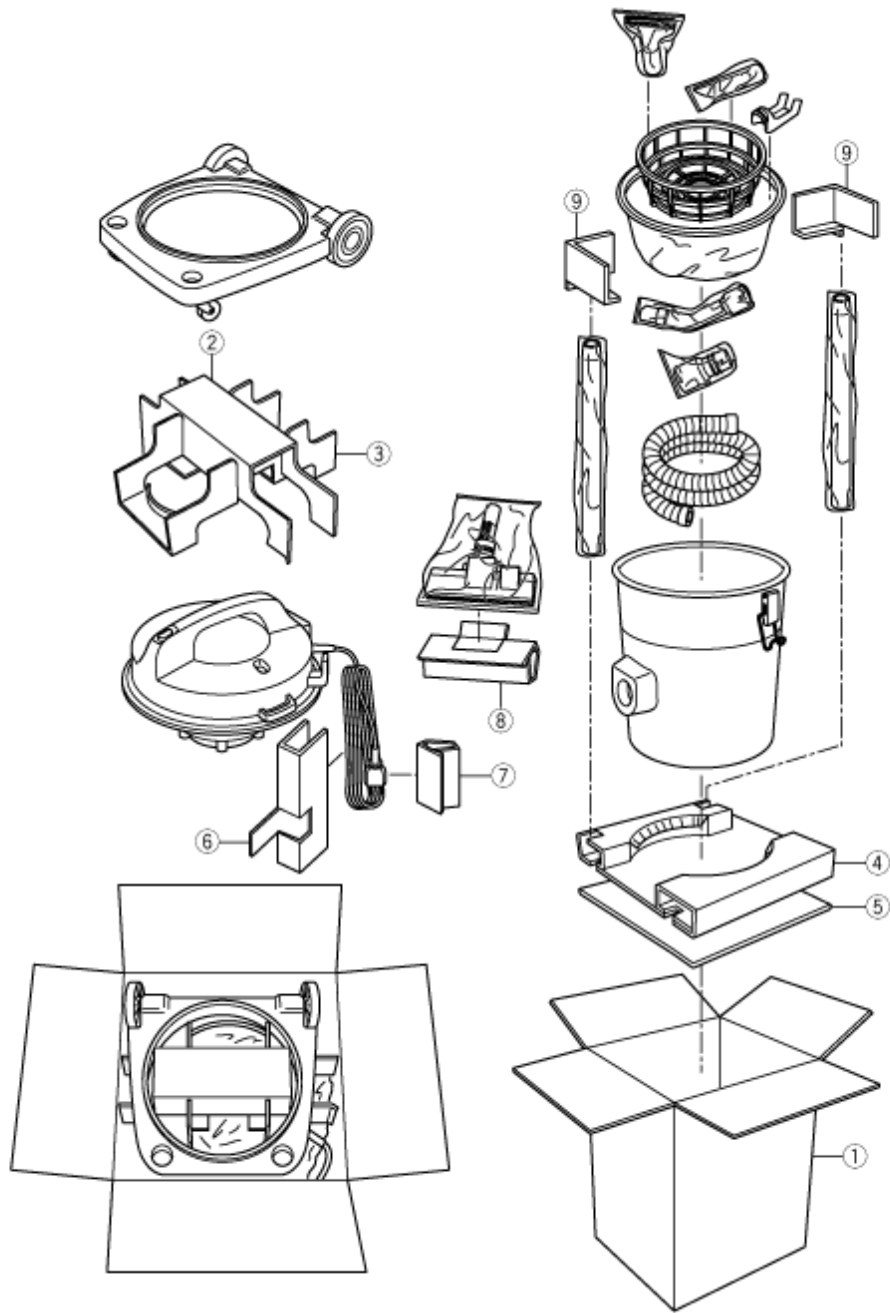
8 TROUBLE SHOOTING GUIDE

[TOP](#) [PREVIOUS](#) [NEXT](#)

CONDITION	CHECKPOINT	CHECK METHOD	CAUSE/REMEDY
MOTOR DOES NOT ROTATE	Power outlet.	Measure power source voltage at plug socket with tester.	If voltage is lower than specified Power source is defective.
	Continuity of Power cord.	Connect tester across both conductive blades of plug and check deflection of tester needle.	Cord is open, if tester needles does not move.
		Short across AC plug end.	
	Continuity of motor.	Check continuity between lead wires connected from motor.	If there is no continuity, motor, stator/rotor coil is open.
	Wear of carbon brush.	Check if the carbon brush is worn out.	When the brush is worn out abnormally, change the motor unit.
	Fuse open circuit.	Check Fuse continuity.	Replace in new fuse assembly.
Overheated/thermo protector cut-off.(97°C±3°C)	Check Thermo Protector continuity.	Wait for about 30 min.for Thermo Protector to reset automatically(67°C).	
		Change deformed parts if it happened.	
POOR SUCTION POWER(CHECK IF DUST INDICATOR SHOWS FULL)	Lower Body.	Check if Lower Body is full.	Remove dust.
	Hose or wand clogged with dust.	Check all hose and wands for clog.	If clogged, remove clog.
NOISE AND VIBRATION	Dust in motor fan.	Check dust in motor fan.	Clean dust out of motor fan and check filter position& condition.
	Carbon brushes.	Check for uneven wear of carbon brushes.	Replace carbon brushes.(Replace carbon brushes at same time.)

@

[TOP](#) [PREVIOUS](#) [NEXT](#)



10 PACKING LIST

[TOP PREVIOUS](#)

Ref. No.	Part No.	Part Name& Description	Remarks
1	AMC61Z-QN0G	Individual Carton	
2	AMC70Z-QN0	Cushion B	
3	AMC69Z-QN0	Cushion A	
4	AMC63Z-QN0	Bottom Plate	
5	AMC56Z-QN0	Cushion Bottom	
6	AMC68Z-QN0	Rear Protector	
7	AMC75Z-QN0	Cushion Plate	
8	AMC78Z-QN0	Supporter	
9	AMC72Z-QN0	Tiper	
-	AMC01Z-QN0	Instruction Book	
-	AMC10Z-C90	Body Bag	
-	AMC19Z-B30	Cord Bag	

@

[TOP PREVIOUS](#)