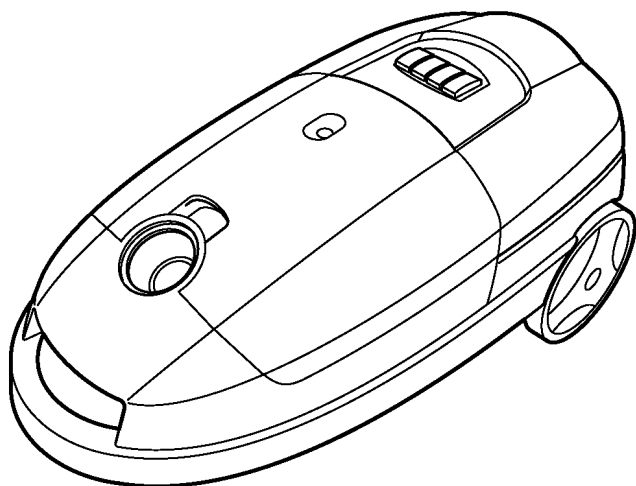


Service Manual

Vacuum Cleaner



MC-7650

MC-7630

MC-7610

Product Color : Red (R), Black (K)

SPECIFICATIONS

Model No.	MC-7650	MC-7630	MC-7610
INPUT POWER(MAX.)	2000W	1800W	1600W
POWER CONTROL	4-SPEED	4-SPEED	3-SPEED
DUST CAPACITY	6.2L		
CORD REWIND	○		
BLOWER OPERATION	○		
EXHAUST FILTER	HEPA	ANTI-BACTERIA	ANTI-BACTERIA
EXTENTION WANDS	METAL TELESCOPIC	METAL TELESCOPIC	METAL x 2
FLOOR NOZZLE	2-STEP	2-STEP	2-STEP
CURVED WAND	SABER HANDLE	STANDARD	STANDARD
DIMENSIONS (H x W x L) mm	262mm x 314mm x 550mm		
NET WEIGHT	6.8kg	6.8kg	6.4kg
CORD LENGTH	5.0m		
CLEANING TOOLS	CREVICE TOOL / UPHOLSTERY BRUSH / DUSTING BRUSH		

⚠ WARNING

This service information is designed for experienced repair technicians only and is not designed for use by the general public. It does not contain warnings or cautions to advise non-technical individuals of potential dangers in attempting to service a product. Products powered by electricity should be serviced or repaired only by experienced professional technicians. Any attempt to service or repair the product or products dealt with in this service information by anyone else could result in serious injury or death.

IMPORTANT SAFETY NOTICE

There are special components used in this equipment which are important for safety. These parts are marked by ⚠ in the Schematic Diagrams, Circuit Board Diagrams, Exploded Views and Replacement Parts List. It is essential that these critical parts should be replaced with manufacturer's specified parts to prevent shock, fire or other hazards. Do not modify the original design without permission of manufacturer.

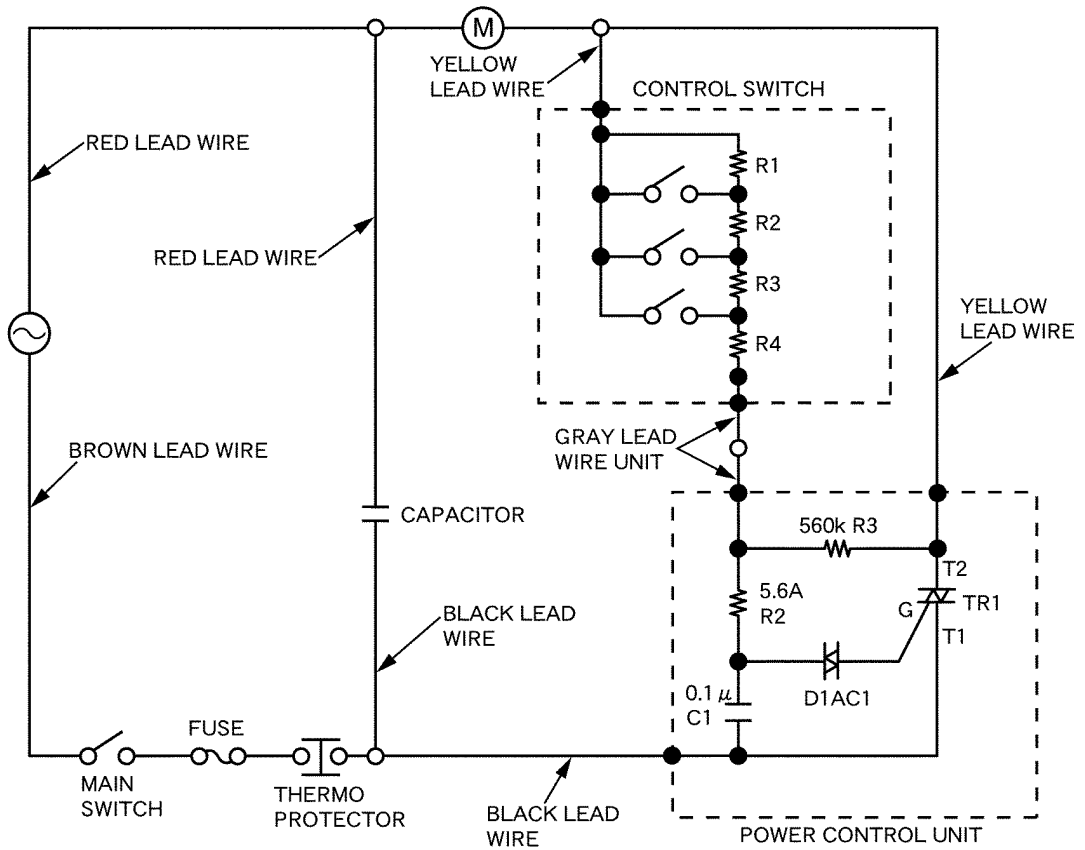
Panasonic®

© 2004 Matsushita Electric Industrial Co., Ltd. All rights reserved. Unauthorized copying and distribution is a violation of law.

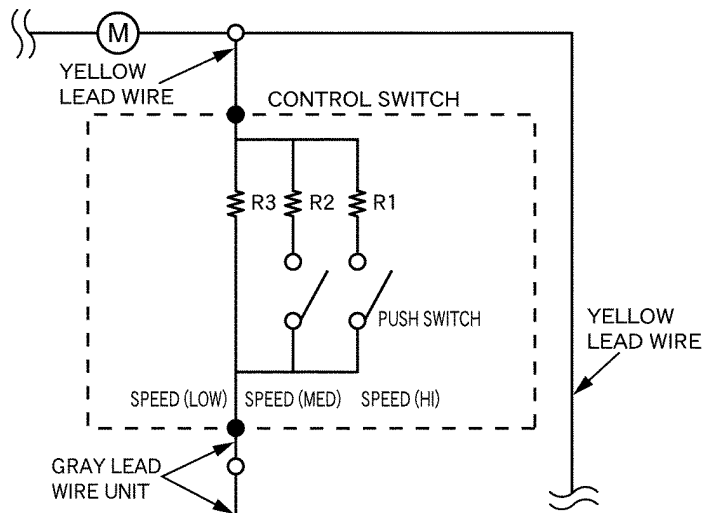
CONTENTS

	Page		Page
1 SCHEMATIC DIAGRAM	3	7 EXPLODED VIEW (ATTACHMENTS) [C]-BLOCK	11
2 PICTRICAL WIRING DIAGRAM	4	8 PARTS LIST (ATTACHMENTS) [C]-BLOCK	11
3 EXPLODED VIEW (ATTACHMENTS) [A]-BLOCK	6	9 REPAIR OF MAIN PARTS	12
4 PARTS LIST (ATTACHMENTS) [A]-BLOCK	6	10 TROUBLE SHOOTING GUIDE	24
5 EXPLODED VIEW (ATTACHMENTS) [B]-BLOCK	8	11 PACKING INSTRUCTIONS	25
6 PARTS LIST (ATTACHMENTS) [B]-BLOCK	9	12 PACKING LIST	26

1 SCHEMATIC DIAGRAM

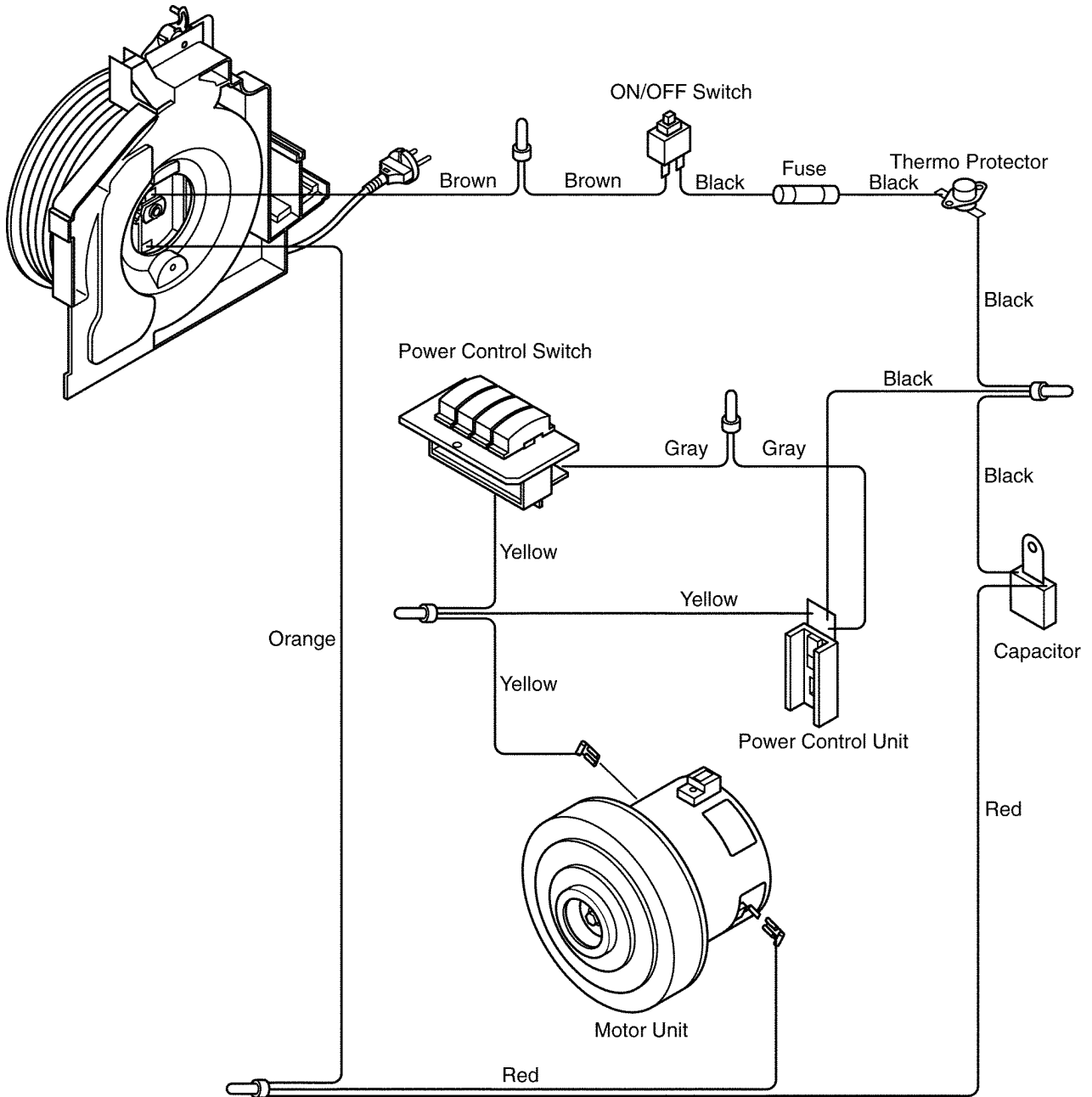


(MC-7610 CONTROL SWITCH)

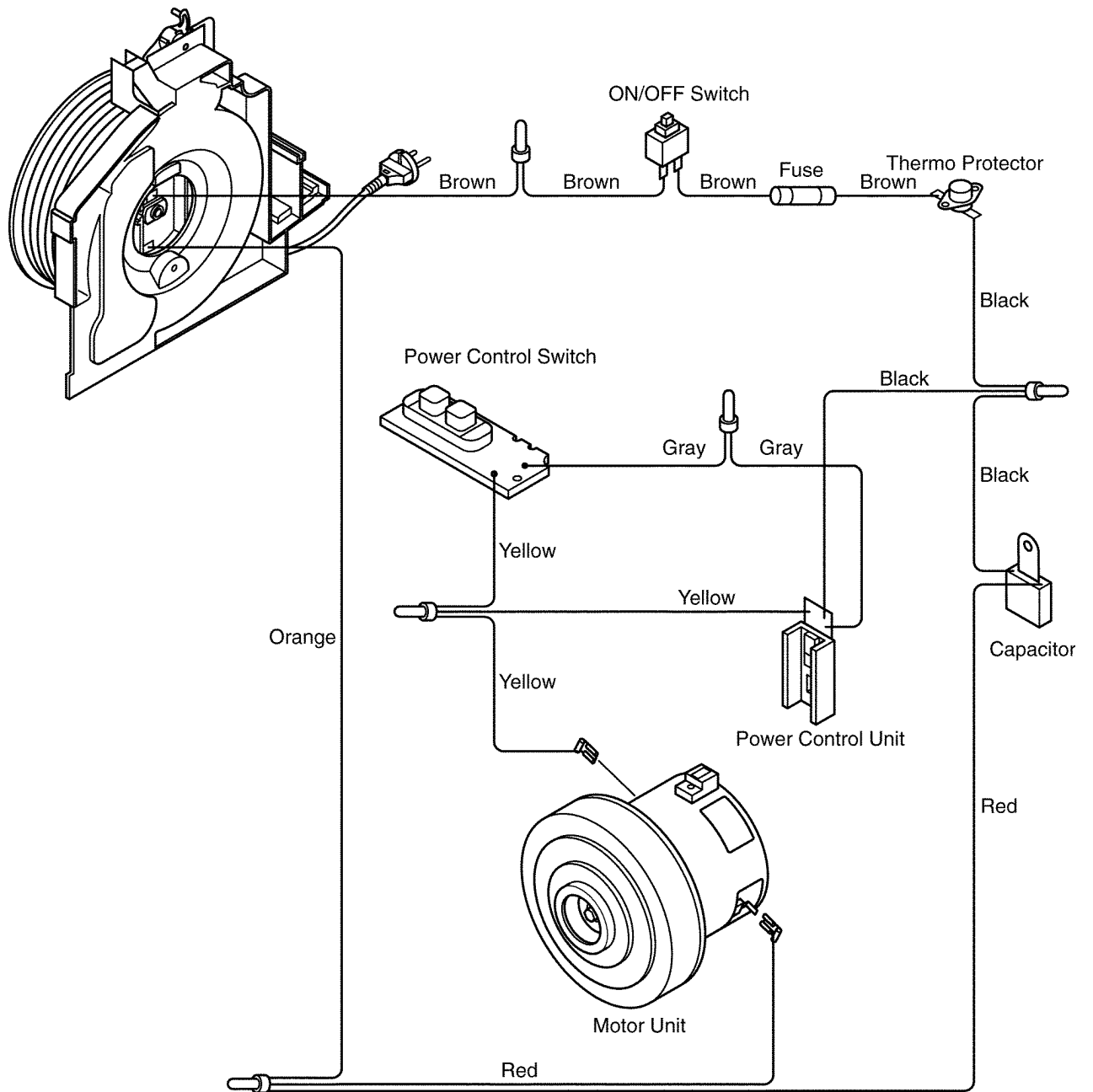


2 PICTRICAL WIRING DIAGRAM

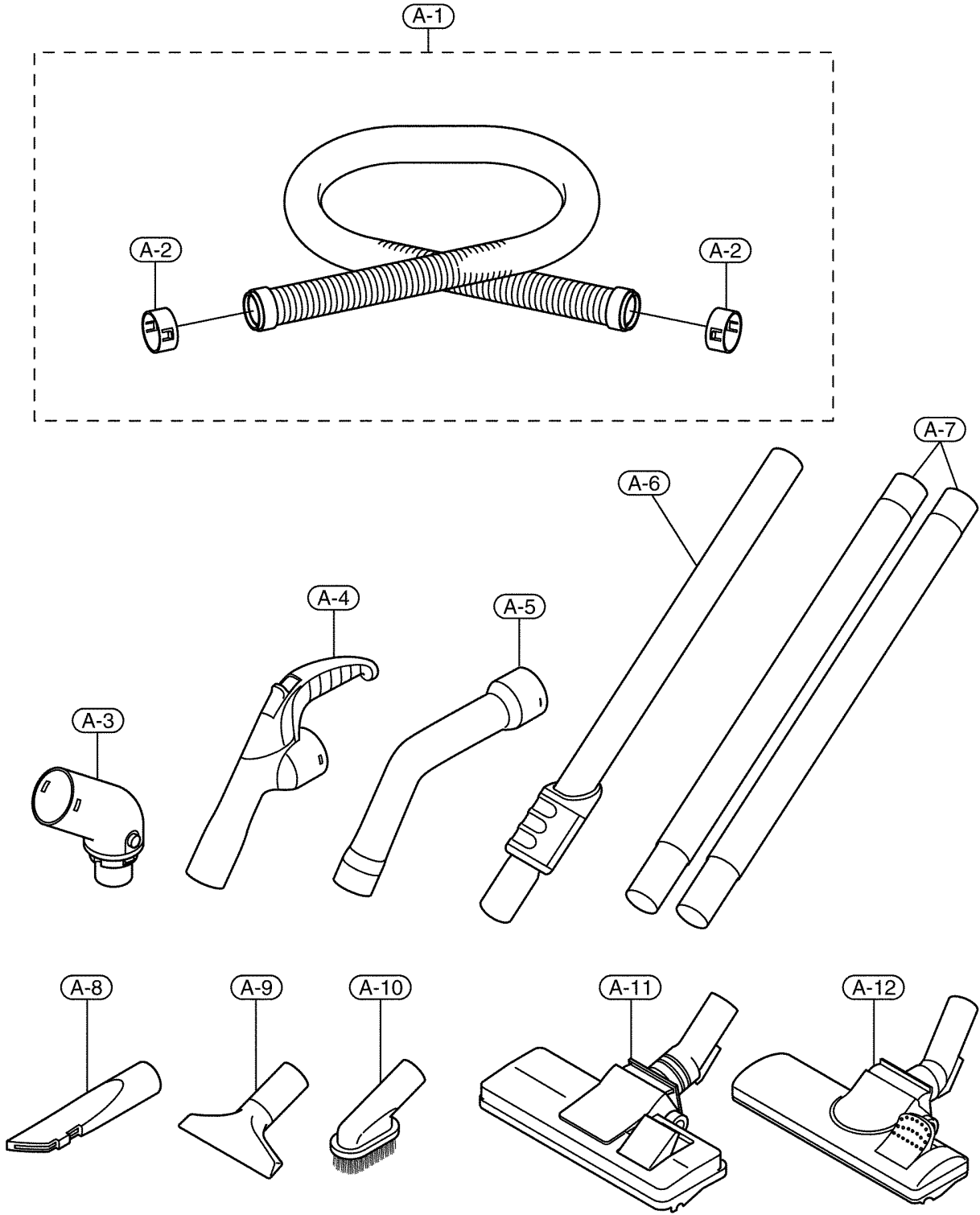
MC-7650, MC-7630



MC-7610



3 EXPLODED VIEW (ATTACHMENTS) [A]-BLOCK

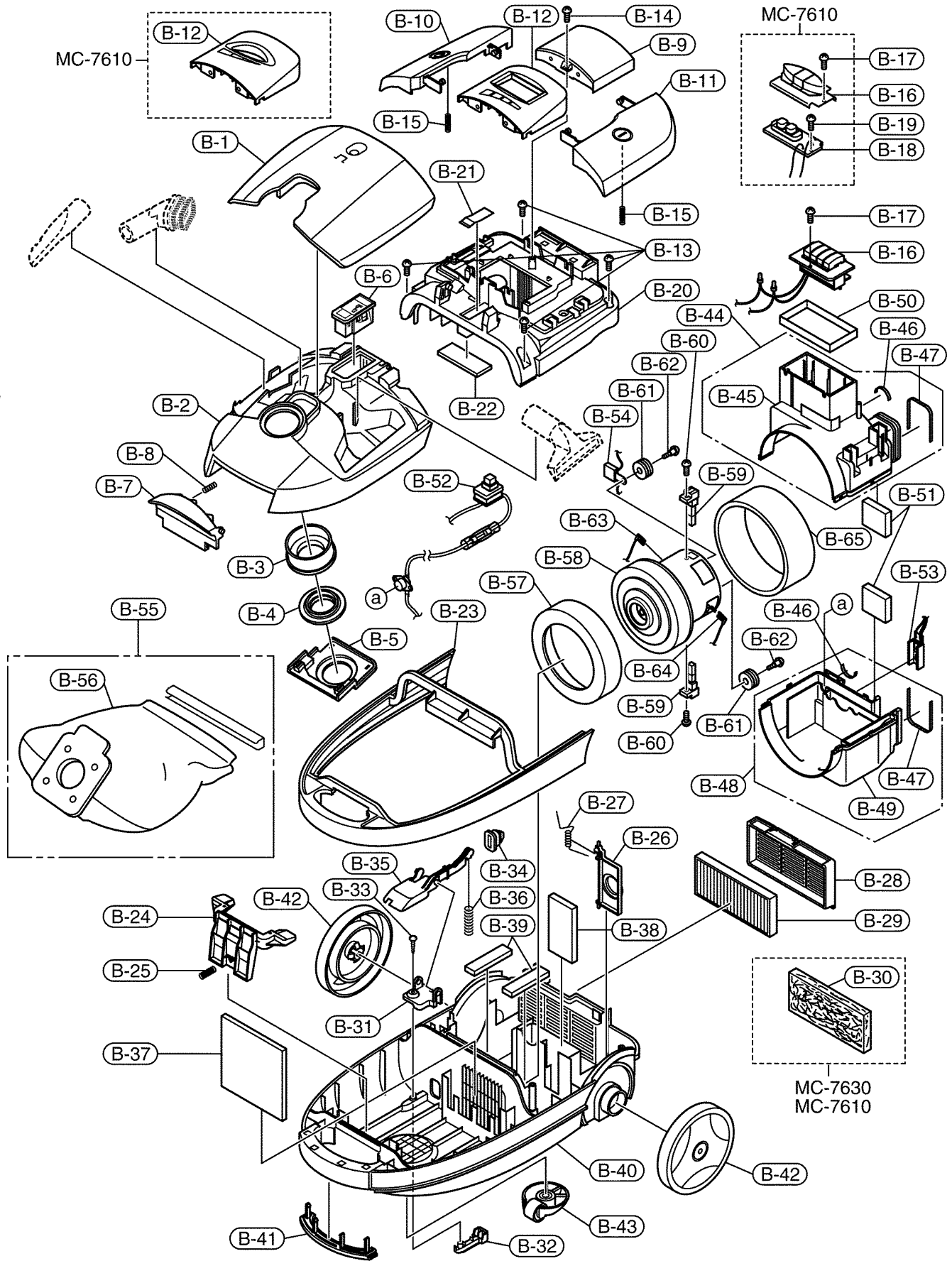


4 PARTS LIST (ATTACHMENTS) [A]-BLOCK

Ref. No.	Part No.	Part Name & Description	Remarks
A-1	AMC84P-UH0V	Hose U	MC-7650
A-1	AMC84P-GA0V	Hose U	MC-7630 7610
A-2	AMC24P-0R0V	Hose Supporter	
A-3	AMC92P-GA0V	Connection Pipe	

Ref. No.	Part No.	Part Name & Description	Remarks
A-4	AMC98P-TB0V	Curverd Wand	MC-7650
A-5	AMC98P-GA0V	Curverd Wand	MC-7630 7610
A-6	AMC99P-HP0	Extension Wand	MC-7650 7630
A-7	AMC40P-QN0	Extension Wand	MC-7610
A-8	AMC60R-DB03	Crevice Tool	
A-9	AMC86R-860V	Upholstery Brush	
A-10	AMC88R-7K0V	Dusting Brush	
A-11	AMC99R-GA0U	Floor Nozzle Assy	MC-7650 7630
A-12	AMC99R-RS0U	Floor Nozzle Assy	MC-7610

5 EXPLODED VIEW (ATTACHMENTS) [B]-BLOCK

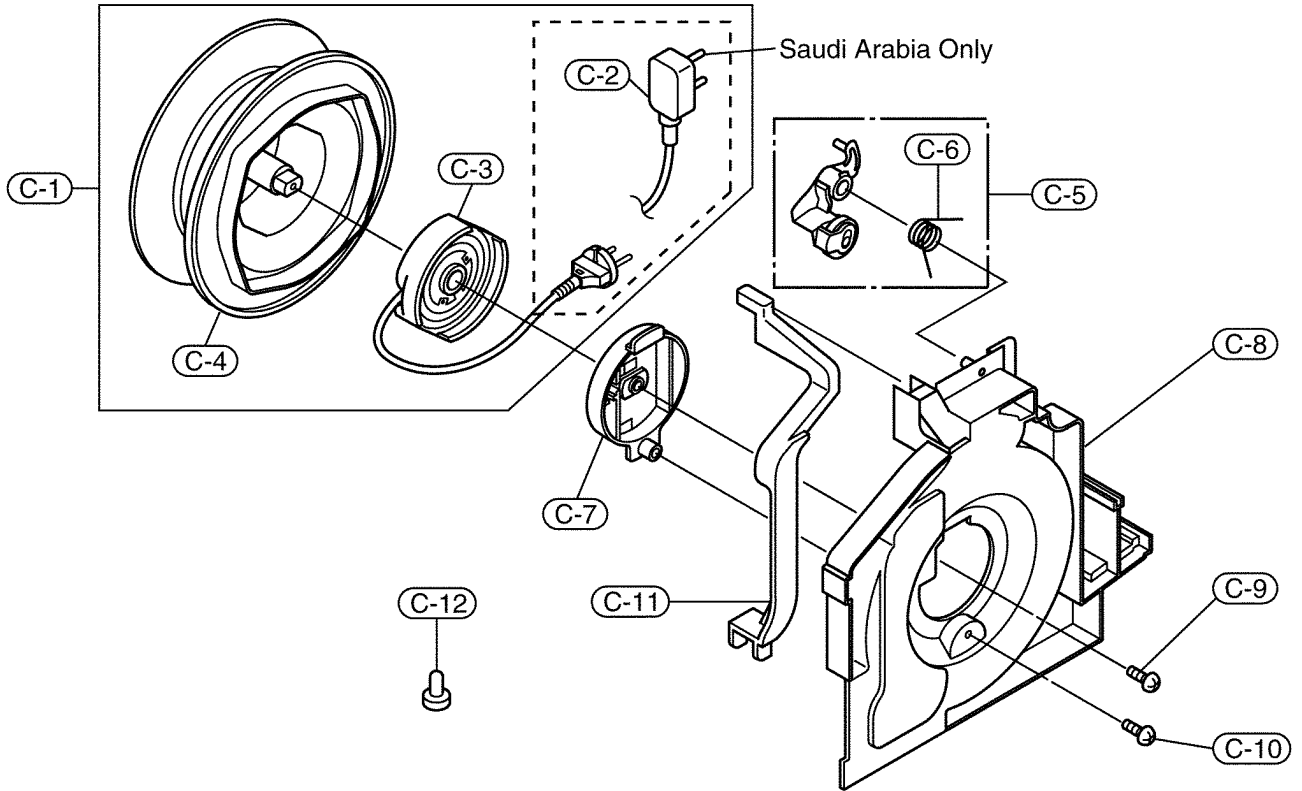


6 PARTS LIST (ATTACHMENTS) [B]-BLOCK

Ref. No.	Part No.	Part Name & Description	Remarks
B-1	AMC83P-UH0K	Tool Gauge Cover	MC-7650-K (Black)
B-1	AMC83P-UH0R	Tool Gauge Cover	MC-7650-R (Red)
B-1	AMC83P-UG0K	Tool Gauge Cover	MC-7630-K (Black)
B-1	AMC83P-UG0R	Tool Gauge Cover	MC-7630-R (Red)
B-1	AMC83P-UF0K	Tool Gauge Cover	MC-7610-K (Black)
B-1	AMC83P-UF0R	Tool Gauge Cover	MC-7610-R (Red)
B-2	AMC60K-UF0K	Dust Cover	K (Black)
B-2	AMC60K-UF0R	Dust Cover	R (Red)
B-3	AMC60H-GA0V	Connection Upper	
B-4	AMC64H-GA0	Hose Fitting Rubber	
B-5	AMC25K-UF0	Dust Box Plate	
B-6	AMC98M-UF0	Indicator Unit	
B-7	AMC01D-UF0K	Dust Cover Catch	K (Black)
B-7	AMC01D-UF0R	Dust Cover Catch	R (Red)
B-8	AMC18D-GA0	Spring (For Dust Catch)	
B-9	AMC42A-UF0K	Pedal Cover	K (Black)
B-9	AMC42A-UF0R	Pedal Cover	R (Red)
B-10	AMC46N-UF0K	Cord Rewind Button	K (Black)
B-10	AMC46N-UF0R	Cord Rewind Button	R (Red)
B-11	AMC05E-UF0K	ON/OFF Switch Button	K (Black)
B-11	AMC05E-UF0R	ON/OFF Switch Button	R (Red)
B-12	AMC92A-UH0V	Ornamental Plate	MC-7650
B-12	AMC92A-UG0V	Ornamental Plate	MC-7630
B-12	AMC92A-UF0V	Ornamental Plate	MC-7610
B-13	XTN4+20BFY	Screw (For Upper Cover)	
B-14	XTN4+16BFY	Screw (For Pedal Cover)	
B-15	AMC08E-4P0	Spring (For Cord Rewind Button)	
B-16	AMC89E-UG0V	Power Control Switch	MC-7650 7630
B-16	AMC89E-TB0U	Power Control Switch	MC-7610
B-17	XTN4+16BFY	Screw	
B-18	AMC89V-KM00B	P. C. B A Unit	MC-7610
B-19	XTN4+16BFY	Screw	MC-7610
B-20	AMC02A-UF0K	Upper Body	K (Black)
B-20	AMC02A-UF0R	Upper Body	R (Red)
B-21	AMC71K-UF0	Spring	
B-22	AMC16H-UF0	Packing Plate	
B-23	AMC31A-UF0K	Furniture Guard	
B-24	AMC23K-UF0	Dust Bag Holder	
B-25	AMC46H-UF0	Spring (For Dust Bag Holder)	
B-26	AMC29L-UF0V	Bloer Cover	
B-27	AMC33L-UF0	Spring (For Bloer Cover)	
B-28	AMC01L-UF0V	Rear Cover	
B-29	AMC85L-UH0	Exhaust Packing U	MC-7650
B-30	AMC85L-UF0	Exhaust Packing U	MC-7630 7610
B-31	AMC63K-UH0	Vibrator Plate	MC-7650
B-32	AMC76P-UF0V	Nozzle Holder	
B-33	XTN4+16BFY	Screw	
B-34	AMC81A-UH0	Tight Packing	MC-7650
B-35	AMC58K-UH0	Vibrator	MC-7650
B-36	AMC76S-UH0	Lever Support Spring	MC-7650
B-37	AMC30K-UF0	Filter	
B-38	AMC60L-UF0	Bloer Packing	
B-39	AMC19A-UF0	Body Packing	
B-40	AMC97A-UF0V	Lower Body U	
B-41	AMC06B-UF0K	Handle Cover	
B-42	AMC01C-UF0V	Wheel	
B-43	AMC95C-0G0Z	Caster	
B-44	AMC93F-UH0	Motor Support Cover U	MC-7650
B-44	AMC93F-UG0	Motor Support Cover U	MC-7630
B-44	AMC93F-UF0	Motor Support Cover U	MC-7610
B-45	AMC63F-UG0	Motor Support Cover	MC-7650 7630
B-45	AMC63F-UF0	Motor Support Cover	MC-7610
B-46	AMC16F-UF0	Support Rubber	
B-47	AMC13F-UF0	Motor Case Supporter	
B-48	AMC87F-UG0	Motor Case U	MC-7650 7630
B-48	AMC87F-UF0	Motor Case U	MC-7610
B-49	AMC09F-UG0	Motor Case	MC-7650 7630
B-49	AMC09F-UF0	Motor Case	MC-7610
B-50	AMC19F-UF0	Motor Case Rubber	
B-51	AMC03L-UF0	Gasket A	MC-7650 7630
B-52	AMC98E-UH0	ON/OFF Switch	MC-7650 With a Fuse (15A)

Ref. No.	Part No.	Part Name & Description	Remarks
B-52	AMC98E-UF0	ON/OFF Switch	MC-7630 7610 With a Fuse (12A)
B-53	AMC39V-KM0	Power Control Unit	
B-54	AMC46F-KK0	Capacitor	Iran Egypt
B-54	AMC46F-HP0	Capacitor	Saudi Arabia Only
B-55	AMC99K-UF0	Dust Bag (Cloth)	
B-56	AMC23K-UF0	Dust Bag Supporter	
B-57	AMC02F-UF0	Motor Support Rubber (Front)	
B-58	AMC92F-UH0	Motor	MC-7650
B-58	AMC92F-UG0	Motor	MC-7630
B-58	AMC92F-RE00C	Motor	MC-7610
B-59	AMC27F-RD0	Carbon Brush	
B-60	XTB3+8GFY	Screw	
B-61	AMC07F-1T0	Motor Support Rubber	
B-62	AMC68A-1T0	Screw	
B-63	AMC84G-UF0	Lead Wire	Yellow
B-64	AMC81G-UF0	Lead Wire	Red
B-65	AMC99G-UG0	Noise Suppressor	MC-7650 7630
B-65	AMC99G-UF0	Noise Suppressor	MC-7610

7 EXPLODED VIEW (ATTACHMENTS) [C]-BLOCK



8 PARTS LIST (ATTACHMENTS) [C]-BLOCK

Ref. No.	Part No.	Part Name & Description	Remarks
C-1	AMC99N-UF005	Cord Reel Unit(C-3)	Saudi Arabia Only
C-1	AMC99N-UF00C	Cord Reel Unit	Iran Egypt
C-2	AMC93E-RD005	Power Cord(C-3)W/Rail Base	Saudi Arabia Only
C-3	AMC91E-RD00C	Power Cord W/Rail Base	Iran Egypt
C-4	AMC01N-UF0	Cord Reel	
C-5	AMC94N-UF0	Brake Lever (U)	
C-6	AMC47N-B80	Brake Spring	
C-7	AMC19N-UF005	Contact Base	Saudi Arabia Only
C-7	AMC19N-UF0	Contact Base	Iran Egypt
C-8	AMC04A-UF0	Body Partition	
C-9	XTN4+16BFY	Screw (For Contact Base)	
C-10	XTN4+16BFY	Screw (For Body Partition)	
C-11	AMC65N-UH0	Press Lever	MC-7650
C-12	CE-230	Wire Connector	

9 REPAIR OF MAIN PARTS

9.1. Connection Pipe, Hose

Removing:

1. Disconnect the hose U by depressing the projection in the hole on each side of the connection pipe (Fig.1).

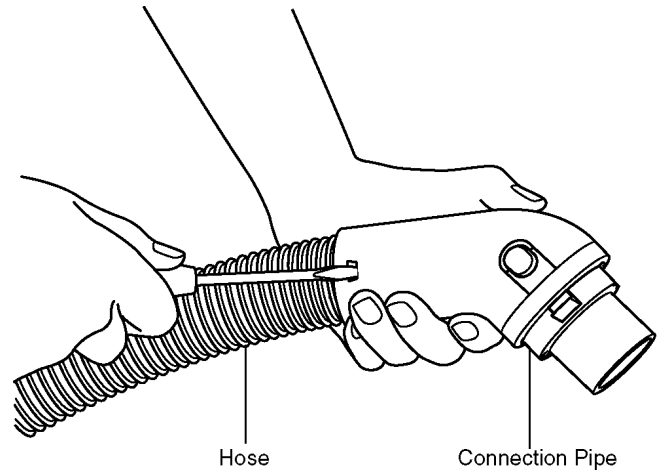


Fig.1

Assembly:

1. Slide the projections on the hose supporter of the hose into the holes on either side of the connection pipe (Fig.2).

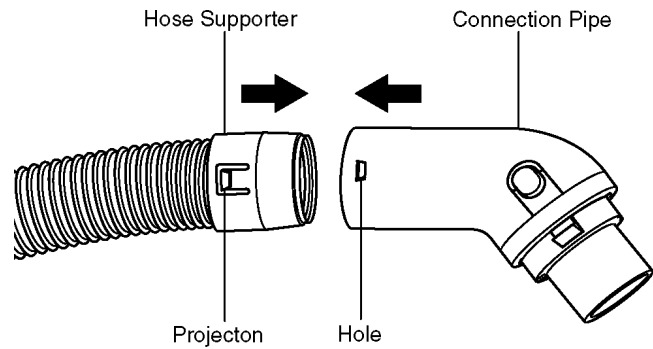


Fig.2

9.2. Dust Cover Unit

Removing:

1. Insert a regular screwdriver-into the fitting section of the dust cover and upper body, and remove the dust cover unit by prying it off. (Fig.3)

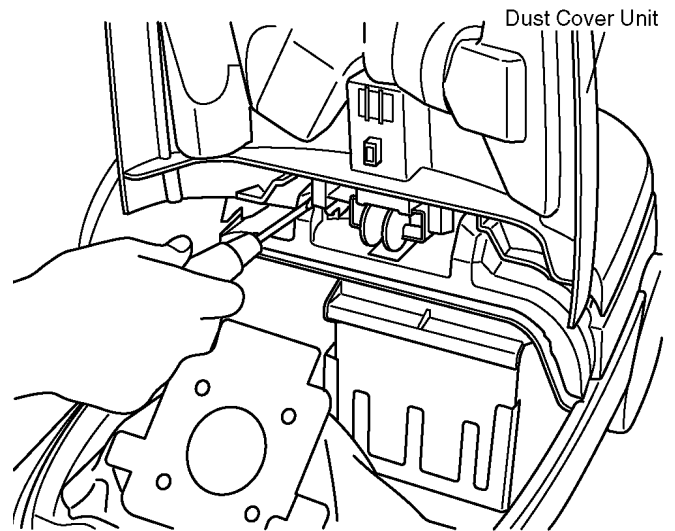


Fig.3

Assembling:

1. After aligning the front dust cover unit, fit the dust cover unit into the upper body by tapping the rear part. (Fig.4)

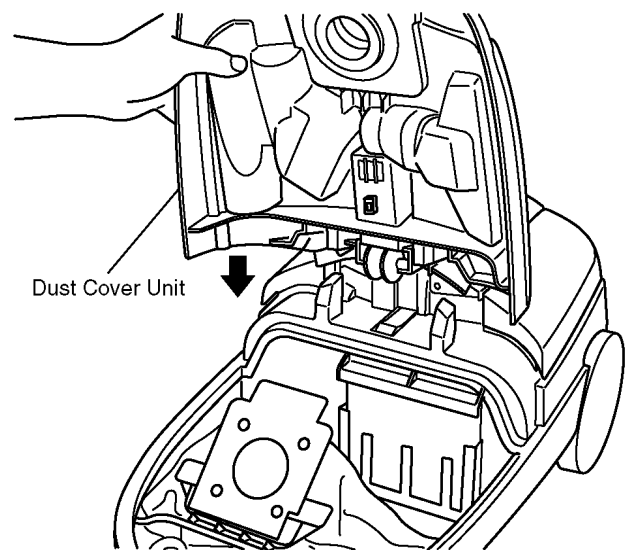


Fig.4

9.3. Hose Fitting Rubber

Removing:

1. Remove the upper connection and then remove the rubber hose fitting. (Fig.5)

Using bladed screwdrivers, push the dust cover hooks outward and pull up the dust box plate.

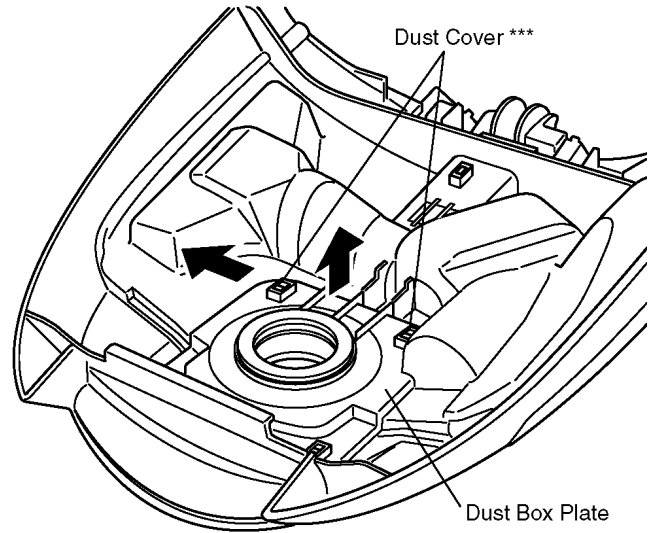


Fig.5

Assembling:

1. Set the rubber hose fitting on the dust cover.
2. Set the upper connection on the rubber hose fitting. (Fig.6)

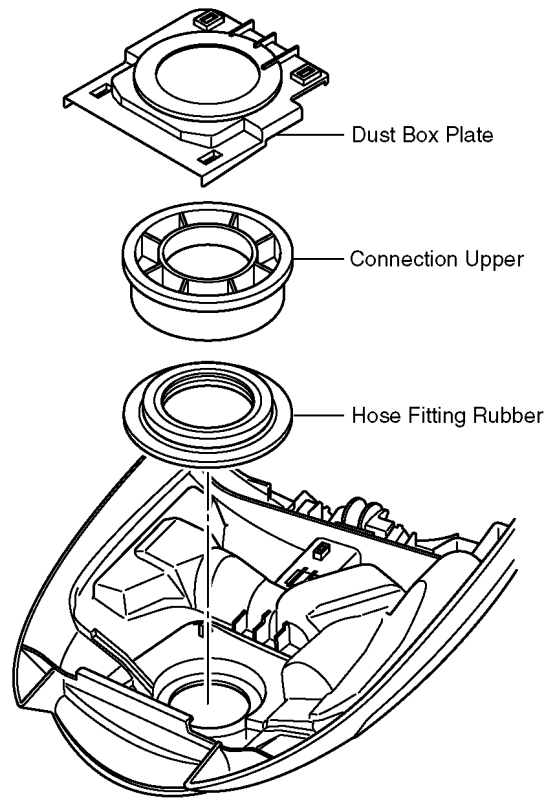


Fig.6

9.4. Dust Bag Holder

Removing:

1. Insert a regular screwdriver - into the fitting section at the end of dust bag holder, widen it downward lightly by prying, and remove the dust bag holder. (Fig.7)
2. Remove the spring from the dust bag holder.

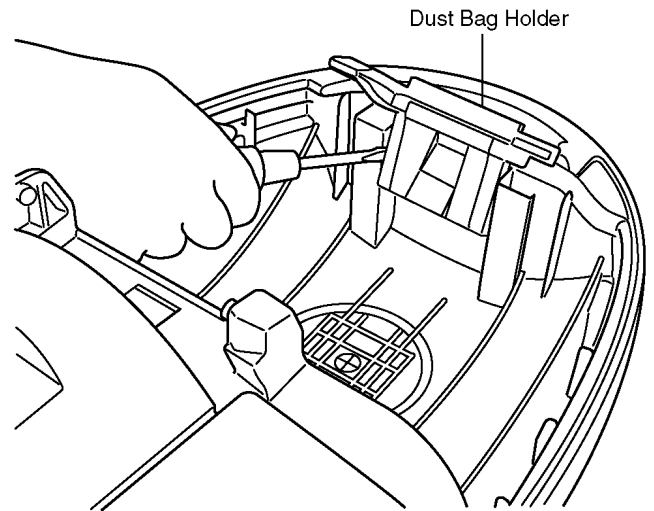


Fig.7

Assembling:

1. Fit the spring into the dust bag holder. (Fig.8)
2. Fit one end of the dust bag into the upper body in such a manner that the spring does not protrude upward, and insert the other into the fitting hole from the lower part. (Fig.9)

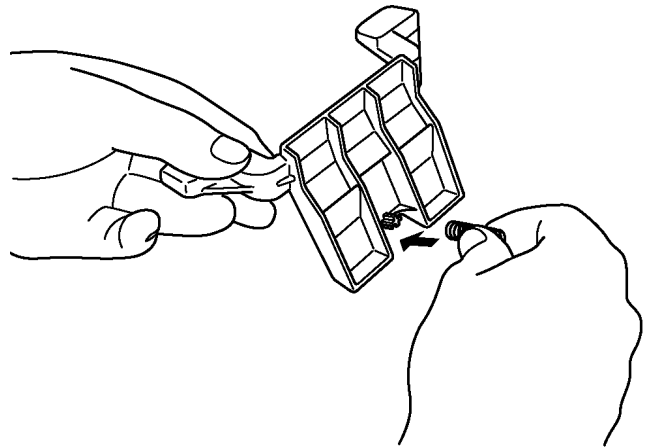


Fig.8

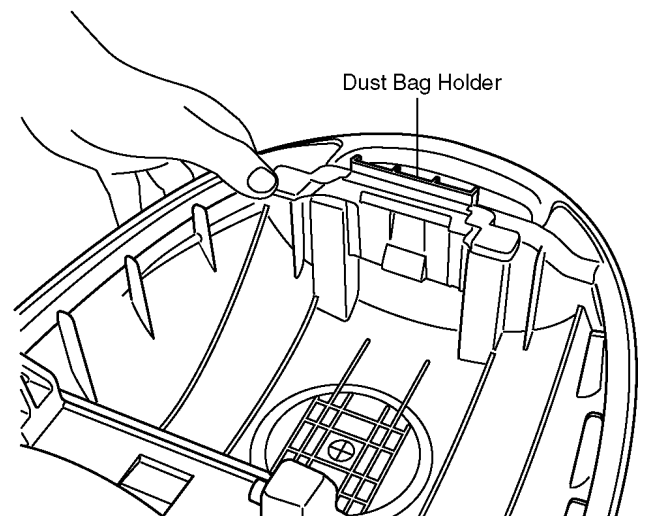


Fig.9

9.5. ON/OFF Switch Button, Cord Rewind Button, and Ornamental Plate

Removing:

1. Detach the ornamental plate with a bladed screwdriver.
(Fig.10)
2. Remove the lock screw from the pedal cover and pull up the screw-down fixture.
3. Detach the cord rewind button and ON/OFF switch button.
* Be careful not to lose these parts.

Assembling:

1. Take the reverse order of the removing procedure.

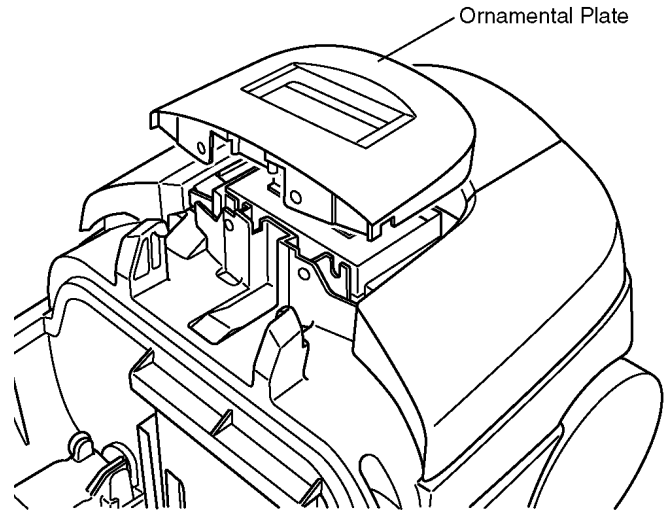


Fig.10

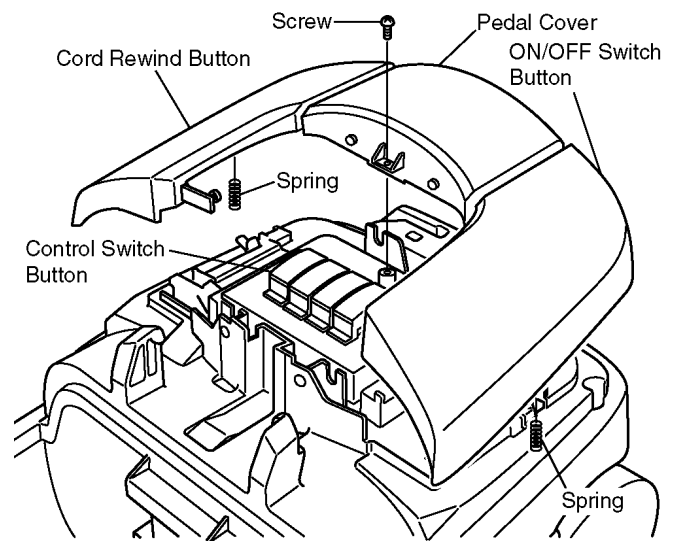


Fig.11

9.6. Power Control Switch

Removing:

1. Remove the lock screw from the power control switch. Take up the switch and cut off the lead wires. (MC-7650, 7630)

Assembling:

1. When placing a new power control switch, connect the lead wires by coupling the wire connector or by soldering the wires.

* To take out the MC-7610's power control switch, remove the screws.

The PCB Unit A is located below the power control switch. Refer to the Exploded View [B] - Block.

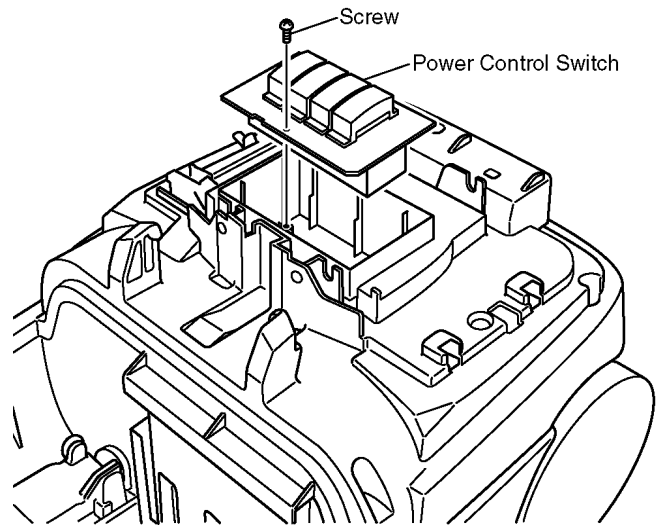


Fig.12

9.7. Rear Cover

Removing:

1. Remove the four screws and detach the rear cover.

Assembling:

1. Place and fix a new rear cover with the four screws.

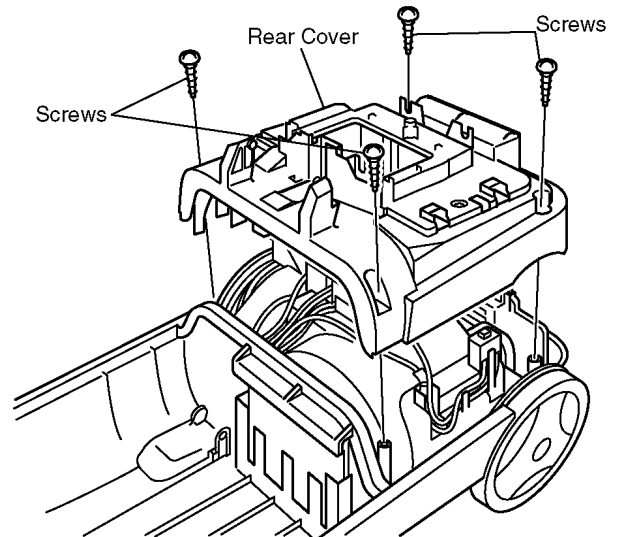


Fig.13

9.8. ON/OFF Switch

Removing:

1. Disconnect the ON/OFF switch from the motor cover.
 - * The fuse (12 A) that is attached on the switch can also be replaced at the same time.

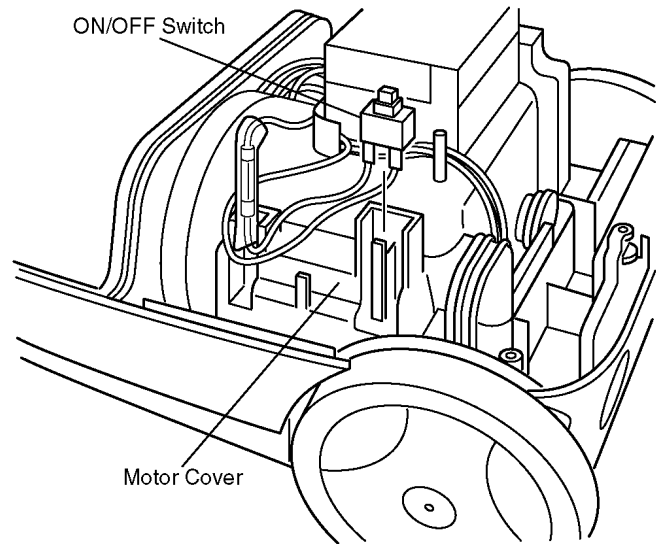


Fig.14

Assembling:

1. Secure a new ON/OFF switch and fuse tightly on the motor cover.

9.9. Power Control Unit

Removing:

1. Take the motor case (the motor inside) and motor cover out of the lower body unit. (Pull up the cord reel unit at the same time.)
2. Separate the power control unit from the motor case. (Fig.15)

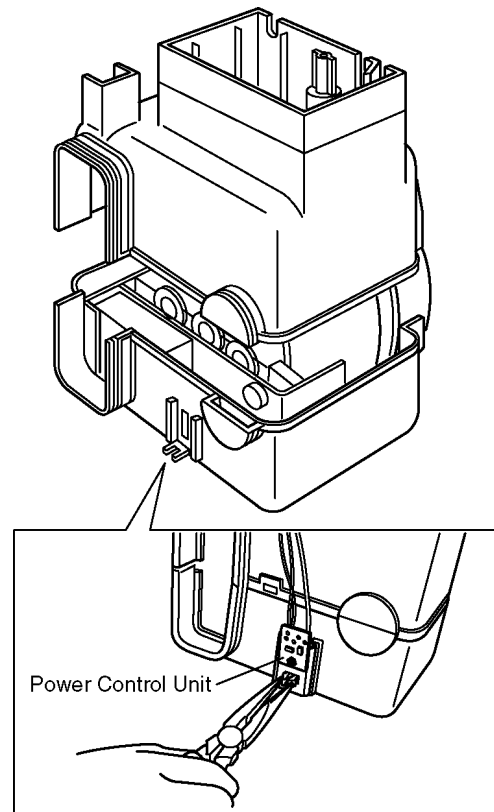


Fig.15

9.10. Cord Reel Ass'y

Removing:

1. Invert the main body to remove screws, and separate the upper and lower bodies.
2. Take out the cord reel ass'y together with the body partition.
3. Push the brake lever, and release the pre-winding. (Fig.16)
4. Remove the screw at the center to separate the cord reel ass'y from the body partition. (Fig.17)

Assembling:

1. Install the cord reel ass'y on the body partition, using the screw at the center. (Fig.17)
2. Pro-wind the cord reel ass'y 5 or 6 times in the direction of the arrow (→) indicated on the cord reel cover. (Fig.16)
3. With the brake lever section down, fit the cord reel ass'y into the upper body.
4. After positioning the lead wire between the motor and body partition, couple the lower body.

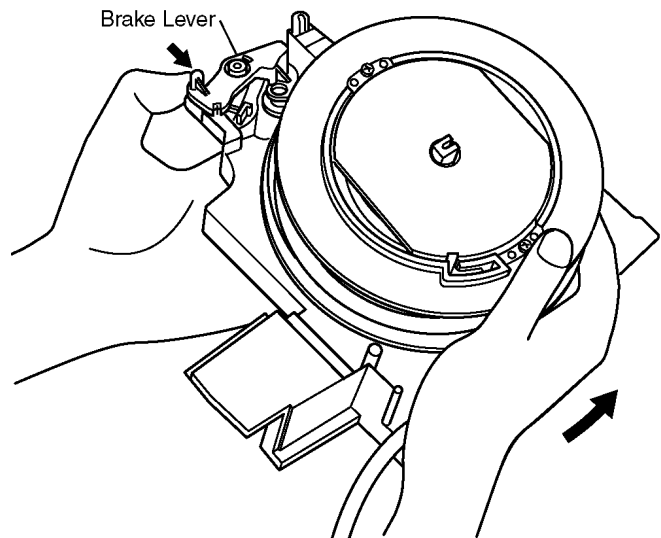


Fig.16

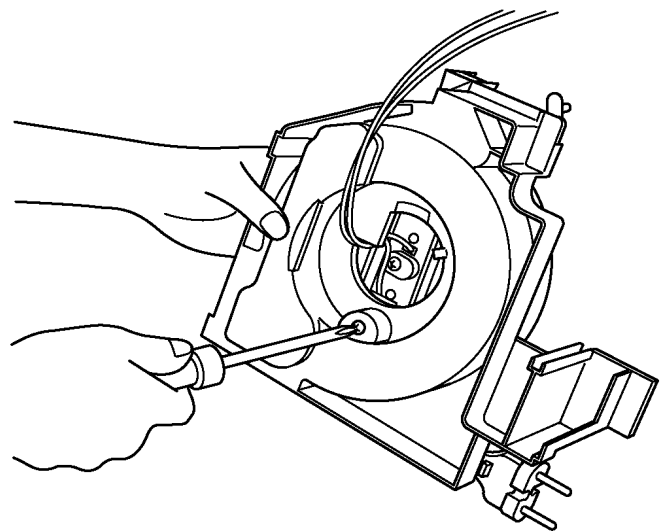


Fig.17

9.11. Power Cord

Removing:

1. Take out the cord reel assembly. (Refer to the procedure for the cord reel assembly.)
2. Remove the claw of card reel supporting the rail base. (Fig.18)
3. Insert a screwdriver from the side of the cord and push up the rail base. (Fig.19)
4. Pull out the rail base from the side of the cord. (Fig.20)

Assembling:

1. Fit the rail base unit attached to new power cord into the cord reel. (Fig.20)
2. Hook the rail base on the claw of the cord reel and secure it. (Fig.18)
3. Wind the cord on the cord reel. (Wind it according to the direction indicated on the plate of the springs. When winding in the reverse direction, the spring should be broken.)
4. Assemble it according to the assembling procedures for the cord reel assembly.

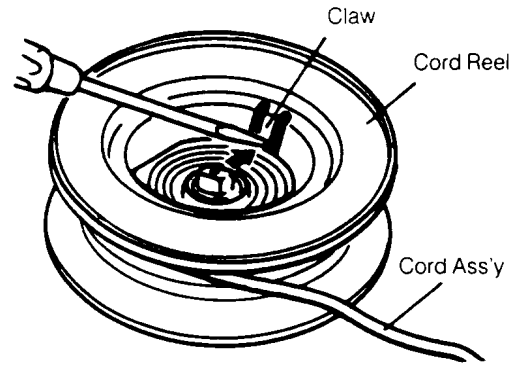


Fig.18

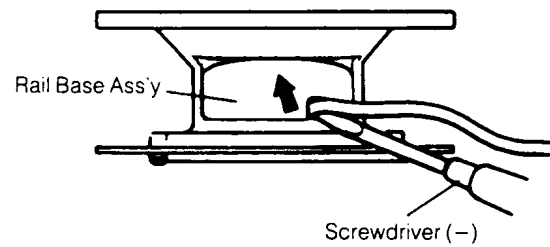


Fig.19

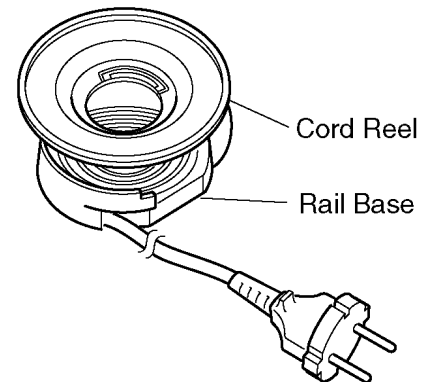


Fig.20

9.12. Motor

Removing:

1. Remove the motor from the noise suppressor and motor support rubbers (front/rear) and capacitor. (Fig.21)

Assembling:

1. Install the motor support rubbers (front/rear) and capacitor on the motor. (Fig.21)
2. Make wiring connections according to the wiring diagram. (Refer to P.3.)
3. Fit the noise suppressor into the motor, and fit the motor, body partition, and cord reel ass'y into the upper body.

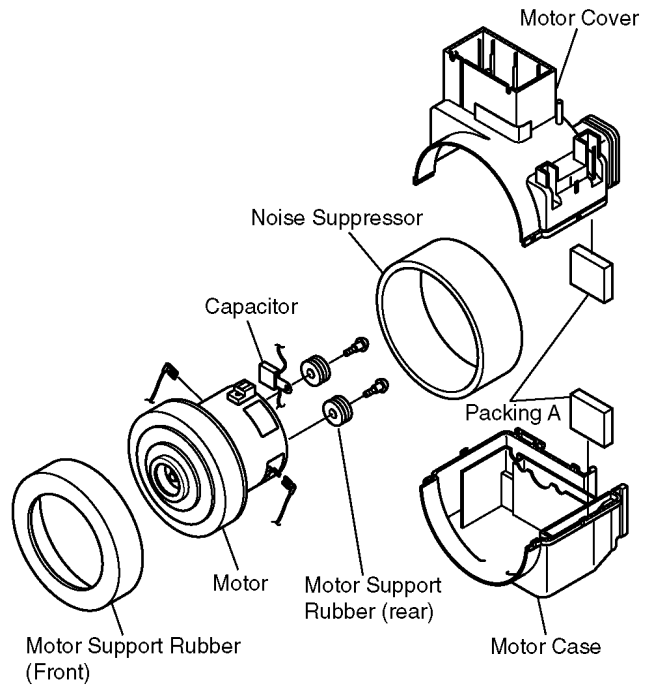


Fig.21

9.13. Carbon Brush

Removing:

1. Remove the lock screw from the carbon brush holder and take the carbon brush out of the motor.

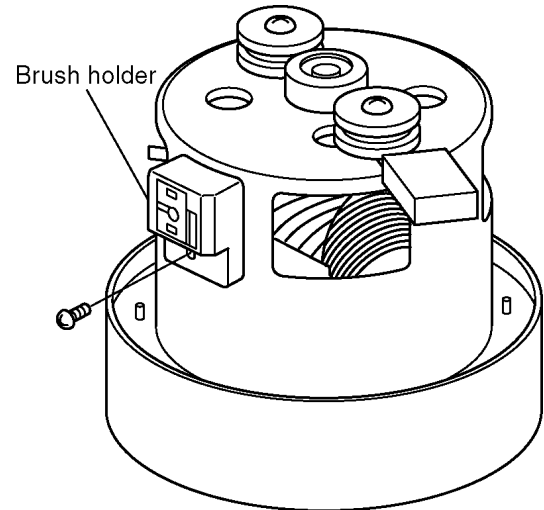


Fig.22

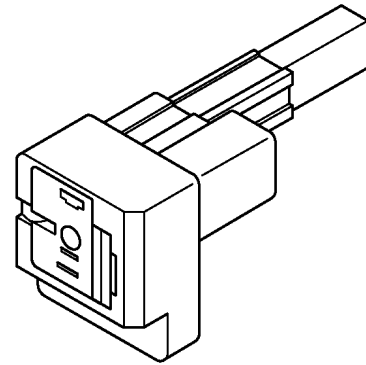
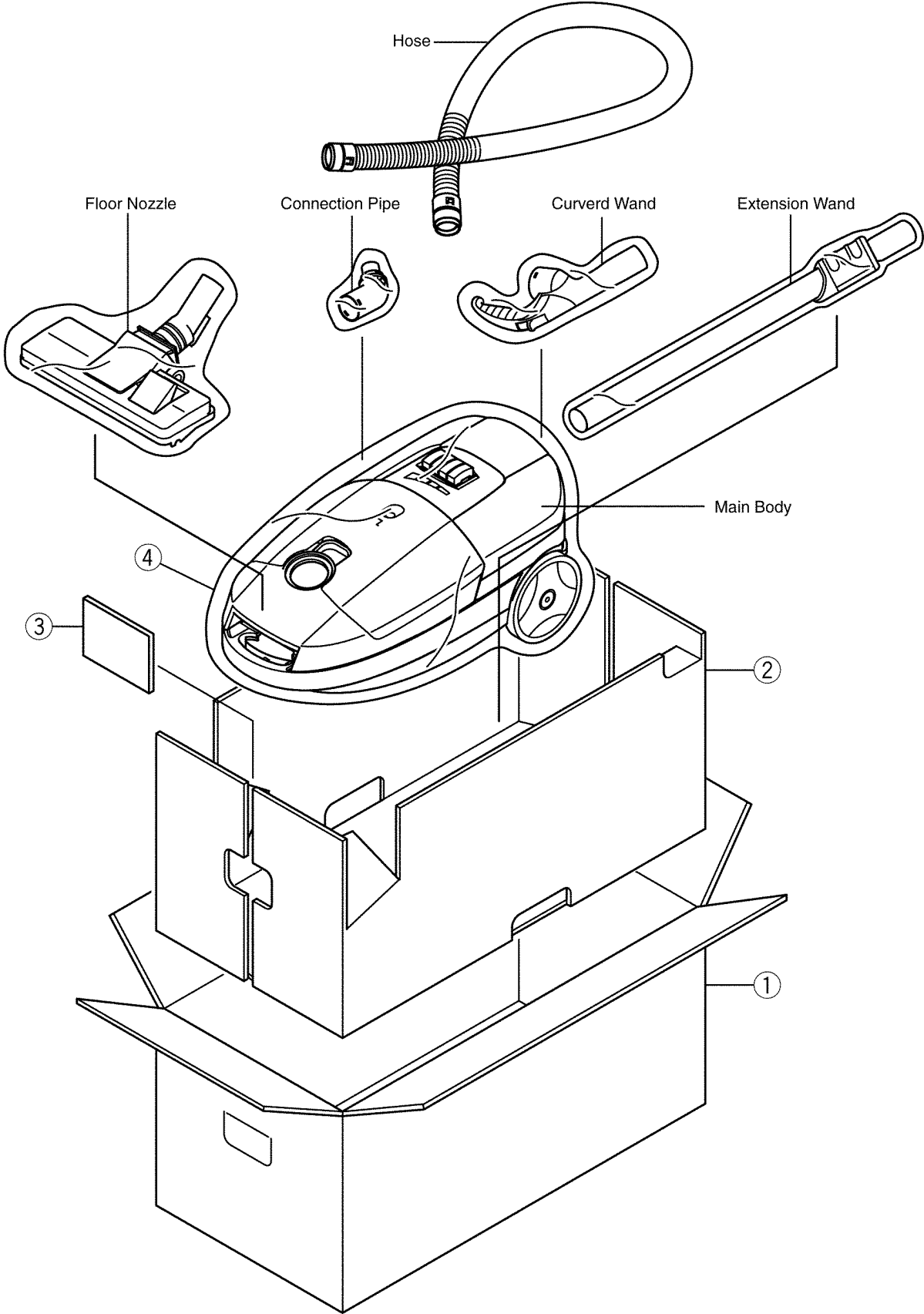


Fig.23

10 TROUBLE SHOOTING GUIDE

CONDITION	CHECKPOINT	CHECK METHOD	CAUSE/REMEDY
MOTOR DOES NOT ROTATE	Power outlet	Measure power source voltage at plug socket with tester.	If voltage is lower than specified, Power source is defective.
	Continuity of Power cord.	Connect tester across both blades of plug and check deflection of tester needle when ON/OFF switch turns on or off.	Cord is open, if tester needle docs not move.
	Continuity between rail base unit and cord plug.	Short across AC plug end then with tester check for continuity across rail base copper rings.	Cord is open or rail base unit is defective if tester needle does not move.
	Continuity of motor.	Check continuity between lead wires connected from motor.	If there is no contently, motor, stator/rotor coil is open.
	Contact with motor carbon brush and rotor.	Remove motor cover, and check if there is gap between carbon brush and rotor.	If there is gap, dust is accumulated in brush holder or brush is worn out, adjust or replace.
	Contact of quick-connect terminal of carbon brush.	Pull off quick-connect terminal, check for looseness.	If terminal is loose, tighten it.
	Continuity of ON/OFF switch.	Connect tester across ON/OFF switch terminals and push switch button on and off.	If no continuity, ON/OFF switch is defective
POOR SUCTION POWER (CHECK IF DUST BAG INDICATOR SHOWS FULL.)	Dust bag.	Check if dust bag is full.	Remove dust.
	Hose or Wand clogged with dust.	Check all hose and wands for clog.	If clogged, remove clog.
	Dust in filter.	Check dust accumulated in filter.	Wash filter or replace.
CORD REWINDS BY ITSELF	Oil adhering on brake roller.	Check by hand.	Wipe with cloth dipped in alcohol.
	Brake spring deformed.	Move lever by hand to see if brake lever returns to original position.	If it does not return, brake spring is defective. Replace.
	Oil on outside circumference of cord reel assembly.	Touch surface of the cord reel by hand and see if oil is on it.	Wipe with cloth dipped in alcohol.
CORD WOUND IMPROPERLY	Winding of cord on reel.	Pull out 2-3 times and see if cord is entirely rewound on cord reel.	If 1-2m of cord is not rewound, increase cord reel tension by one turn.
SUCTION POWER CANNOT BE CHANGED (4-STEP SPEED INOPERATIVE)	Continuity of power control switch contact point.	Check continuity at across each power control switch position.	If any position checks open, replace whole switch.
NOIZE AND VIBRATION	Dust in motor fan.	Check dust in motor fan.	Clean dust out of motor fan and check filter position & condition.
	Carbon brushes.	Check for uneven wear of carbon brushes.	Replace carbon brushes (Replace carbon brushes at same time).

11 PACKING INSTRUCTIONS



12 PACKING LIST

Ref. No.	Part No.	Part Name & Description	Remarks
1	AMC61Z-UH0K	Individual Carton	MC-7650-K (Black) Iran , Saudi Arabia
1	AMC61Z-UH0R	Individual Carton	MC-7650-R (Red) Iran , Saudi Arabia
1	AMC61Z-UH0KX	Individual Carton	MC-7650-K (Black) Egypt Only
1	AMC61Z-UH0RX	Individual Carton	MC-7650-R (Red) Egypt Only
1	AMC61Z-UG0K	Individual Carton	MC-7630-K (Black) Iran , Saudi Arabia
1	AMC61Z-UG0R	Individual Carton	MC-7630-R (Red) Iran , Saudi Arabia
1	AMC61Z-UG0KX	Individual Carton	MC-7630-K (Black) Egypt Only
1	AMC61Z-UG0RX	Individual Carton	MC-7630-R (Red) Egypt Only
1	AMC61Z-UF0K	Individual Carton	MC-7610-K (Black) Iran , Saudi Arabia
1	AMC61Z-UF0R	Individual Carton	MC-7610-R (Red) Iran , Saudi Arabia
1	AMC61Z-UF0KX	Individual Carton	MC-7610-K (Black) Egypt Only
1	AMC61Z-UF0RX	Individual Carton	MC-7610-R (Red) Egypt Only
2	AMC69Z-UF0	Cushion A	
3	AMC01Z-UF0	Instruction Book	
4	AMC10Z-RD0	Body Bag	