

Service Manual

Vacuum Cleaner

MC-5010/MC-5030



⚠ WARNING

This service information is designed for experienced repair technicians only and is not designed for use by the general public. It does not contain warnings or cautions to advise non-technical individuals of potential dangers in attempting to service a product. Products powered by electricity should be serviced or repaired only by experienced professional technicians. Any attempt to service or repair the product or products dealt with in this service information by anyone else could result in serious injury or death.

IMPORTANT SAFETY NOTICE

There are special components used in this equipment which are important for safety. These parts are marked by ⚠ in the Schematic Diagrams, Circuit Board Diagrams, Exploded Views and Replacement Parts List. It is essential that these critical parts should be replaced with manufacturer's specified parts to prevent shock, fire or other hazards. Do not modify the original design without permission of manufacturer.

CONTENTS

	Page		Page
1 SPECIFICATION	2	7 REPLACEMENT PART LIST	4
2 SCHEMATIC DIAGRAM	2	8 EXPLODED VIEW (Attachment)	6
3 PICTORIAL DIAGRAM	2	9 DISASSEMBLY INSTRUCTION	7
4 SCHEMATIC DIAGRAM	2	10 TROUBLE SHOOTING GUIDE	12
5 PICTORIAL DIAGRAM	2	11 PACKING INSTRUCTION	13
6 EXPLODED INSTRUCTION	3		

1 SPECIFICATION

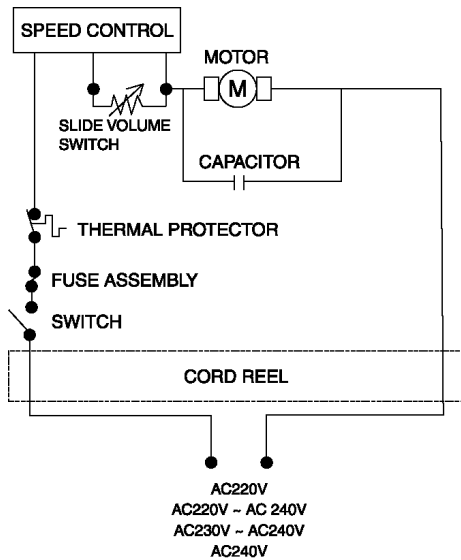
MODEL	MC-5010		MC-5030	
POWER SOURCE	AC220V	AC220 ~ 240V	AC230 ~ 240V	AC240V
(FREQUENCY)	50Hz	50Hz/60Hz	50Hz	
POWER CONSUMPTION	1600W		1800W	
CLOSED SUCTION	>1800mmH ₂ O		>1900mmH ₂ O	
INITIAL AIR FLOW	>1.9m ³ /min			
AIR POWER	SYNTHETIC FILTER			
	300W		330W	
DUST CAPACITY	4.2 liters			
BODY DIMENSION (mm) W x L x H	304mm x 574mm x 273mm			
WEIGHT (include ATM)	7.4kg		7.8kg	
CORD LENGTH	5.0m, > 5.4m (Australia, New Zealand)			
ATTACHMENTS.	Hose, Extension Wands, Floor Nozzle, Crevice Tool, Dusting Brush, Upholstery Brush, Curve wand, Hose Connection Wand			

*Specifications are subject to change without notice for future improvement.

2 SCHEMATIC DIAGRAM

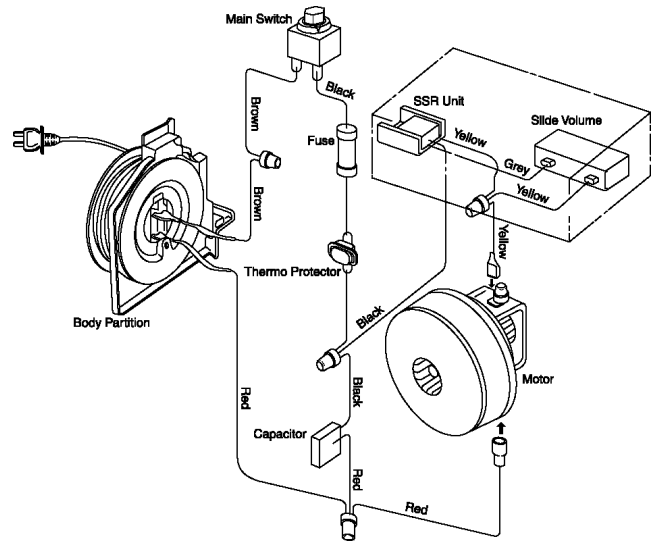
MODEL : MC-5010

- With capacitor



3 PICTORIAL DIAGRAM

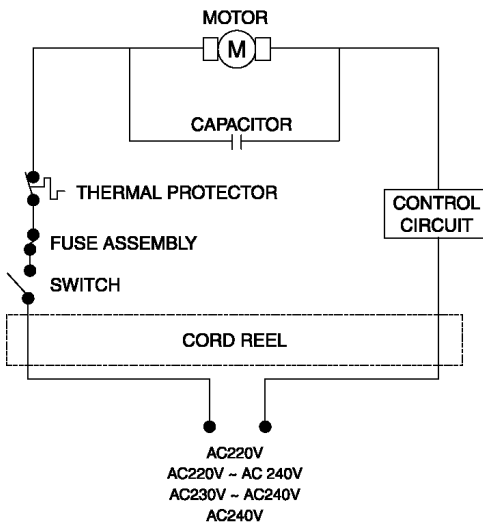
MODEL : MC-5010



4 SCHEMATIC DIAGRAM

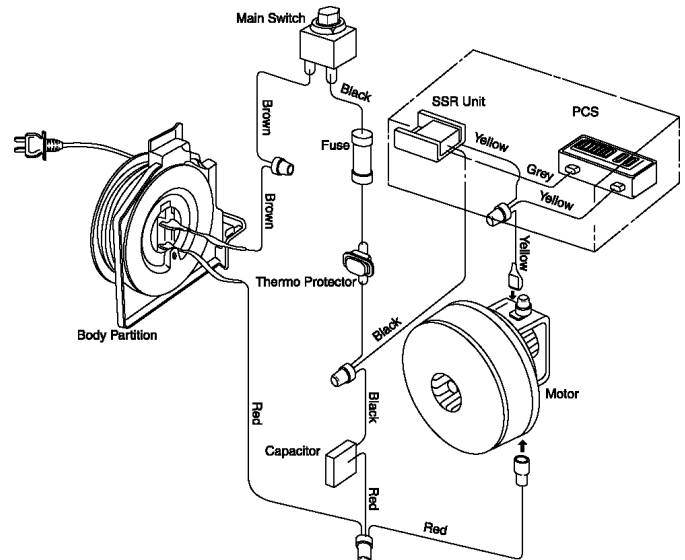
MODEL : MC-5030

- With capacitor

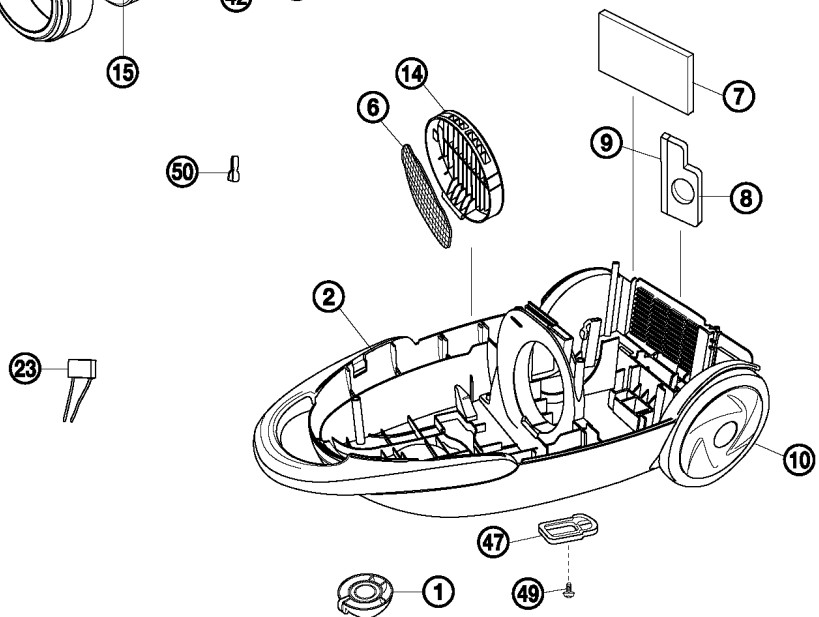
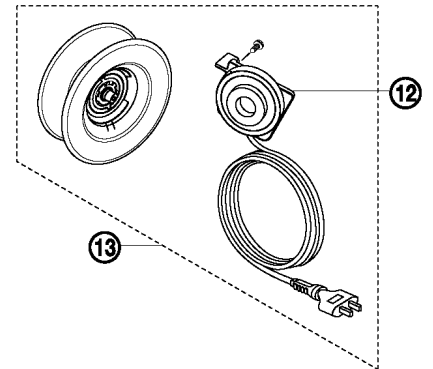
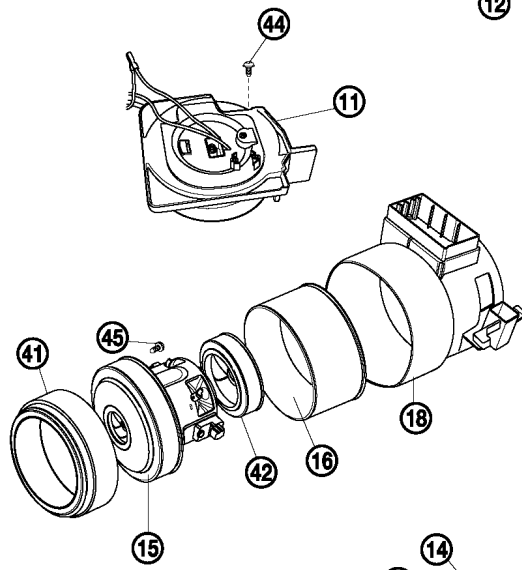
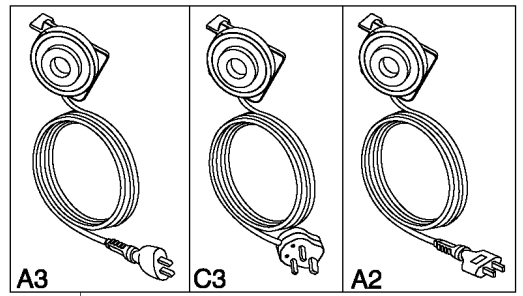
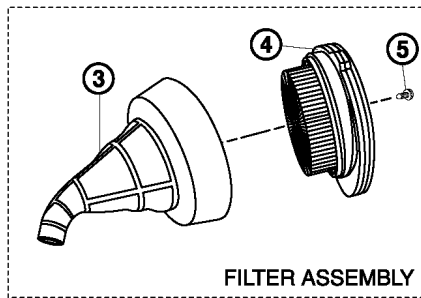
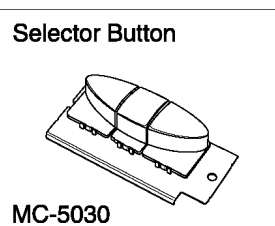
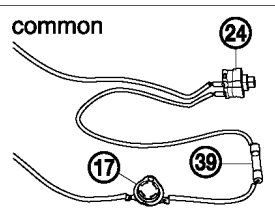
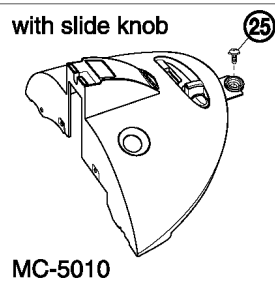
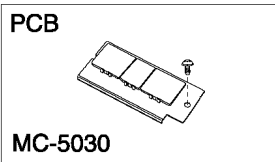
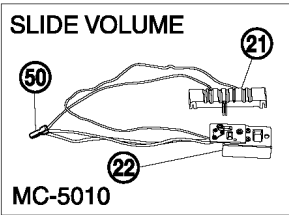
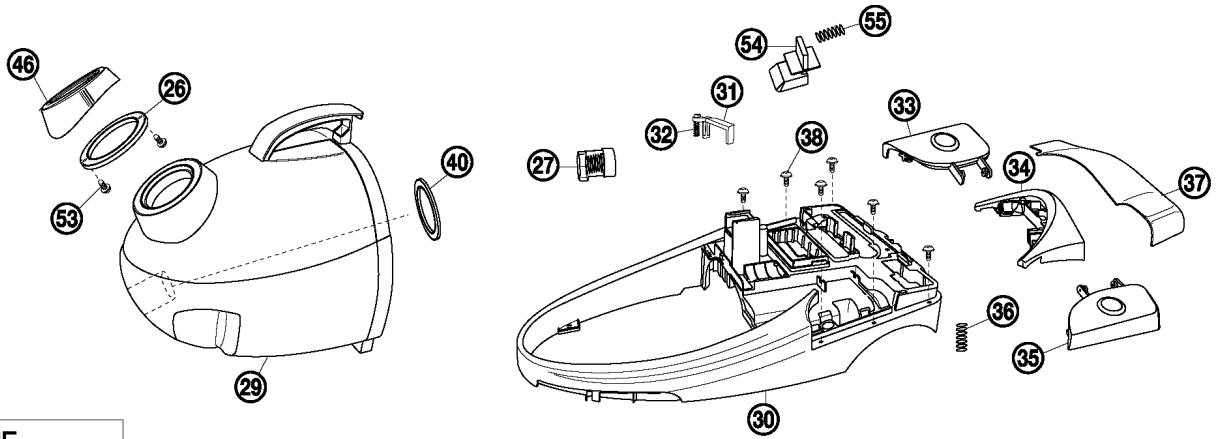


5 PICTORIAL DIAGRAM

MODEL : MC-5030



6 EXPLODED INSTRUCTION

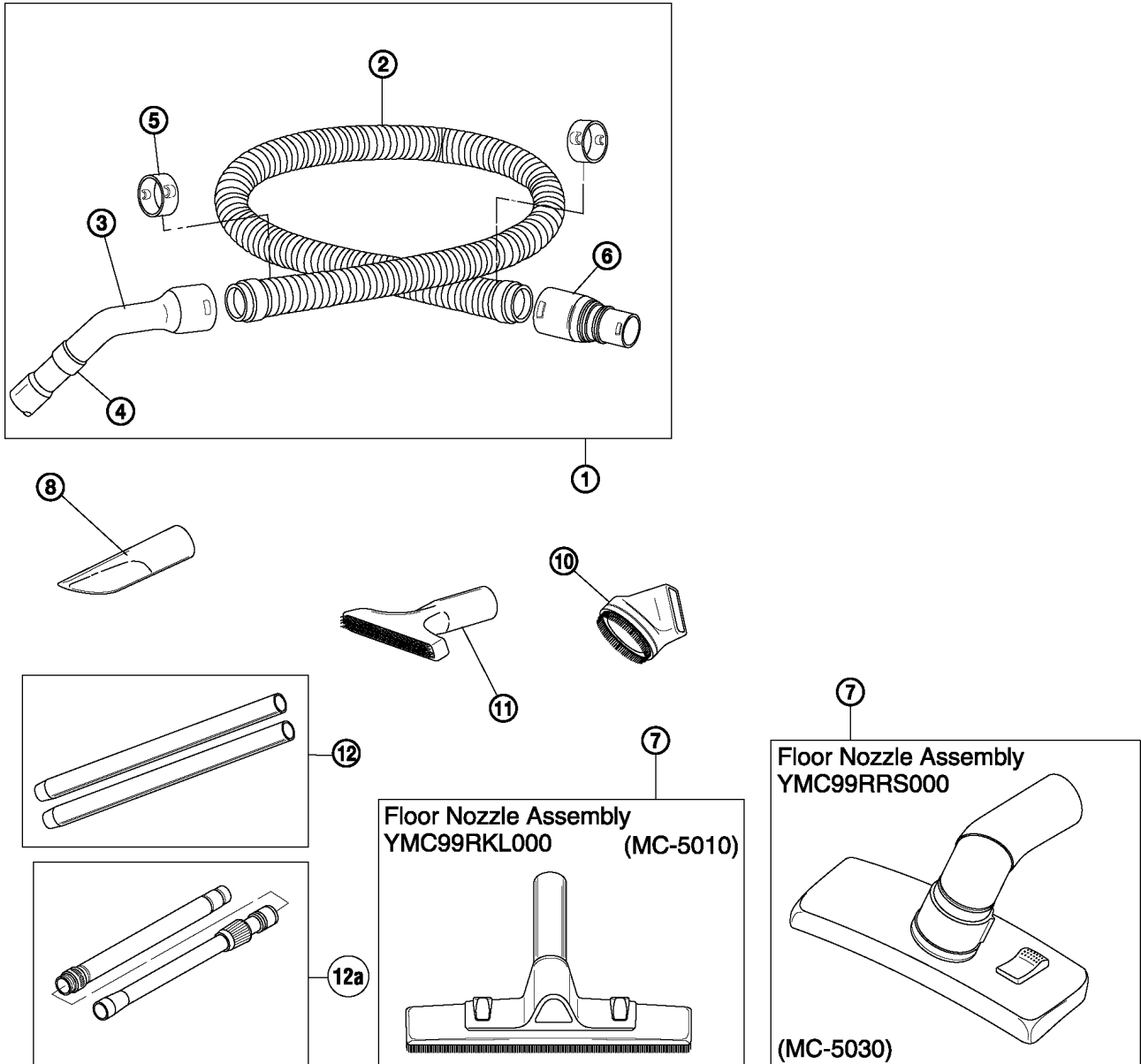


7 REPLACEMENT PART LIST

REF NO.	PART NAME	PART NUMBER	MODEL (PC5/SET)			REMARKS
			MC-5010	MC-5010	MC-5030	
			National M'sia	Panasonic	Panasonic	
1	Caster Unit	AMC95C-7K000	1	1	1	
2	Lower Body	YMC03ATB0H0	1	1	1	Black
3	Pre-Filter	AMC43KTB000	1	1	1	
4	Filter Unit	AMC95KTB000	1	1	1	
5	Tapping Screw	XTN4+14BFY	1	1	1	
6	Filter	YMC30KTB000	1	1	1	
7	Exhaust Filter	YMC38KTB000	-	-	1	Others
(7)	Exhaust Filter	YMC38KTA000	1	1	1	Middle East
8	Blower Outlet Unit	YMC96LKK000	1	1	1	
9	Blower Outlet Unit	YMC33LKK000	1	1	1	
10	Wheel	YMC01CSG0H0	2	2	2	
11	Body Partition Unit	YMC96ATB000	1	1	1	
12	Power Cord Unit/Railbase Unit (A-2)	YMC97EKM10B	-	1	1	AC220V - Thailand
(12)	Power Cord Unit/Railbase Unit (C-3)	YMC78ESG00M	-	1	1	AC230V-240V-South Africa
(12)	Power Cord Unit/Railbase Unit (C-3)	YMC93EKM00H	-	1	1	AC220V-Hong Kong
(12)	Power Cord Unit/Railbase Unit (A-3)	YMC97NTB00G	-	1	1	AC230V-240V-Australia/New Zealand
(12)	Power Cord Unit/Railbase Unit (C-2)	YMC91ESG00C	-	1	1	AC230-240V-Russia
(12)	Power Cord Unit/Railbase Unit (C-2)	YMC96EKM100	-	1	11	AC220V-240V-Others
(12)	Power Cord Unit/Railbase Unit (C-3)	YMC93EKM00V	1	1	1	AC240V-Malaysia
(12)	Power Cord Unit/Railbase Unit (C-3)	YMC93EKM00S	-	1	1	AC240V-Singapore
13	Cord Reel Unit (A-2)	YMC99NTB00B	-	1	1	Thailand
(13)	Cord Reel Unit (C-3)	YMC99NTB00M	-	1	1	South Africa
(13)	Cord Reel Unit (C-3)	YMC99NTB00H	-	1	1	Hong Kong
(13)	Cord Reel Unit (A-3)	YMC99NTB00G	-	1	1	Australia/New Zealand
(13)	Cord Reel Unit (C-2)	YMC99NSG00E	-	1	1	Russia
(13)	Cord Reel Unit (C-2)	YMC99NTB000	-	1	1	Others
(13)	Cord Reel Unit (C-3)	YMC99NTA00V	1	1	-	Malaysia
(13)	Cord Reel Unit (C-3)	YMC99NTB00S	-	1	1	Singapore
14	Filter Holder	YMC32KTB000	1	1	1	
15	Motor Unit VCE262E06	YMC92FRT00C	-	1	-	AC220V
(15)	Motor Unit VCE262E04	YMC92FTA00B	1	1	-	AC220V-240v
(15)	Motor Unit VCE282E01	YMC92FTB00B	-	-	1	AC220V
(15)	Motor Unit VCE282E03	YMC92FTB00C	-	-	1	AC220V-240V
16	Noise Suppressor Unit	YMC99GTB000	1	1	1	
17	Thermal Protector	YMC20W-FF000	1	1	1	
18	Motor Support Cover	YMC63FTA000	1	1	1	
19	Main Switch	YMC98ETB000	1	1	1	With Fuse 12A AC240V
(19)	Main Switch	YMC98ETB00A	-	1	1	With Fuse 15A AC220V
20	Power Control Unit	YMC39VKM200	1	1	1	For 50/60 Hz
21	Slide Volume	YMC86VKL004	1	1	-	For 50/60 Hz
22	SSR Unit	YMC58VKL400	1	1	1	
23	Capacitor	YMC46FMW00E	1	1	1	
24	ON/OFF Switch	YMC01EKK000	1	1	1	
25	Tapping Screw	XTN4+16BFY	1	1	1	
26	Air Intake Packing	YMC64HTB000	1	1	1	
27	Indicator Pipe Unit	YMC99MTB000	1	1	1	
28	Indicator Plate	YMC11MTA0B0	1	1	-	With Slide Knob-Blue
(28)	Indicator Plate	YMC11MTA0R0	1	1	-	With Slide Knob-Red
(28)	Indicator Plate	YMC11MTA0H0	-	1	-	With Slide Knob-Grey
28a	Indicator Plate	YMC11MTB0B0	-	-	1	With Hole-Blue
28a	Indicator Plate	YMC11MTB0H0	-	-	1	With Hole Grey
29	Dust Compartment Ass'y	YMC88KTA0RB	1	-	-	Red
(29)	Dust Compartment Ass'y	YMC88KTA0BB	1	-	-	Blue
(29)	Dust Compartment Ass'y	YMC88KTA0RG	-	1	-	Red
(29)	Dust Compartment Ass'y	YMC88KTA0AG	-	1	-	Blue
(29)	Dust Compartment Ass'y	YMC88KTA0HG	-	-	1	Grey
(29)	Dust Compartment Ass'y	YMC88KTA04G	-	1	1	Solid Black
(29)	Dust Compartment Ass'y	YMC88KTB0AG	-	-	1	Blue
(29)	Dust Compartment Ass'y	YMC88KTA0HG	-	-	1	Grey
(29)	Dust Compartment Ass'y	YMC88KTA04G	-	-	1	Solid Black
30	Upper Body	YMC02ATA0R0	1	1	-	Without Hole Red
(30)	Upper Body	YMC02ATA0E0	1	-	-	Without Hole Grey
(30)	Upper Body	YMC02ATA0S0	-	1	-	Without Hole Silver

REF NO.	PART NAME	PART NUMBER	MODEL (PC5/SET)			REMARKS
			MC-5010	MC-5010	MC-5030	
			National M'sia	Panasonic	Panasonic	
(30)	Upper Body	YMC02ATB00S	-	-	1	With Hole Silver
(30)	Upper Body	YMC02ATB0F0	-	-	1	Metalic Red
31	Brake Lever Unit	YMC94NKK000	1	1	1	
32	Brake Lever Spring	YMC47NFF000	1	1	1	
33	Brake Pedal	YMC46NTB0R0	1	-	-	Red
(33)	Brake Pedal	YMC46NTB0E0	1	1	-	Grey
(33)	Brake Pedal	YMC46NTB0S0	-	1	1	Metalic Silver
(33)	Brake Padel	YMC46NTB0F0	-	-	1	Matalic Red
34	Body Cover Unit	YMC24ATB0R0	1	-	-	Red
(34)	Body Cover Unit	YMC24ATB0E0	1	1	-	Grey
(34)	Body Cover Unit	YMC24ATB0S0	-	1	1	Silver
(34)	Body Cover Unit	YMC24ATB0F0	-	-	1	Metalic red
35	Switch Pedal	YMC05ETB0R0	1	-	-	Red
(35)	Switch Pedal	YMC05ETB0E0	1	1	-	Grey
(35)	Switch Pedal	YMC05ETB0S0	-	1	1	Metalic Silver
(35)	Switch Pedal	YMC05ETB0F0	-	-	1	Metalic red
36	Switch Pedal Spring	YMC08E-7K000	2	2	2	
37	Tool Storage Cover	YMC74PTB0H0	1	1	1	Black
38	Tapping Screw	XTN4+25BFY	6	6	6	
39	Fuse Unit	YMC99WKK00B	1	1	1	10A
(39)	Fuse Unit	YMC99WKK00A	1	1	1	15A
40	Filter Packing	YMC76SG000	1	1	1	
41	Front Motor Supporter	YMC02FTA000	1	1	1	
42	Rear Motor Supporter	AMC03F-PQ000	1	1	1	
44	Pan Tap Screw	XTN4+12BFY	1	1	1	for body partition
45	Torx Screw	MP4X16BFY	1	1	1	Australia/New Zealand
46	Air Inlet Plate	YMC17HTB000	1	1	1	
47	Nozzle Holder	YMC76PKK000	1	1	1	
49	Tapping Screw	XTN4+16BFY	1	1	1	for Body Cover Unit and Nozzle Holder
50	Close End Connector	CE-230	5	5	5	
51	Selector Switch Unit	YMC89ETB0S0	-	-	1	Asia
(51)	Selector Switch Unit	YMC89ETB000	-	-	1	Others
52	PCB A Unit	YMC89VKM105	-	-	1	For 50Hz/60Hz
(52)	PCB B Unit	YMC89VKM10B	-	-	1	For 50Hz
53	Tapping Screw	XTN4+14BXY	5	5	5	for Air inlet Plate
54	Buckle	YMC01DTB00	1	1	1	
55	Dust Box Spring	YMC80KTB000	1	1	1	

8 EXPLODED VIEW (Attachment)



8.1. ATTACHMENT PARTS LIST

REF NO.	PART NAME	PART NUMBER	Model (set/pcs)		REMARKS
			MC-5010	MC-5030	
1	Hose Assembly	AMC94PTB000	1	1	Grey
2	Hose Unit	AMC84PTB000	1	1	
3	Curved Wand	AMC30POR000	1	1	
4	Suction Regulator	AMC54P-7K0V0	1	1	
5	Hose Supporter	AMC24P-0R0V0	2	2	
6	Connection Pipe	AMC02PTV000	1	1	
7	Floor Nozzle Ass'y	YMC99RRS000	-	1	
(7)	Floor Nozzle Ass'y	YMC99RKL000	1	-	
8	Crevice Tool	YMC60R0G2V0	1	1	
10	Dusting Brush Unit	YMC88RKK0V0	1	1	
11	Upholstery Nozzle Unit	AMC68R86000	1	1	
12	Extension Wand	YMC40PQN000	1 set	-	Metal (Others)
12a	Extension Wand	YMC99PRR00V	1 set	-	Telescopic plastic (M'sia)
(12a)	Extension Wand	YMC94PHP000	-	1 set	Telescopic Metal

9 DISASSEMBLY INSTRUCTION

1. Push the Buckle backward and pull the dust compartment upward. (Fig.1)

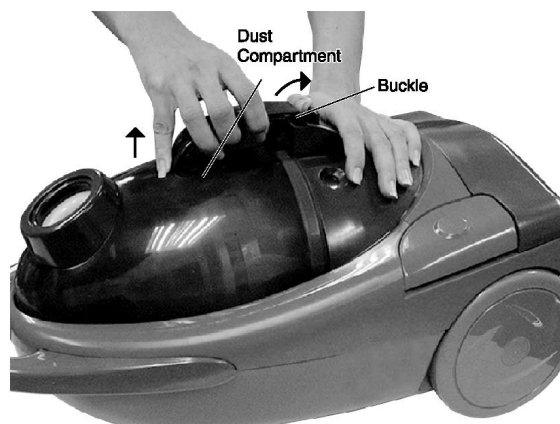


Fig.1

2. Remove the Tool Storage cover Upward. (Fig.2)

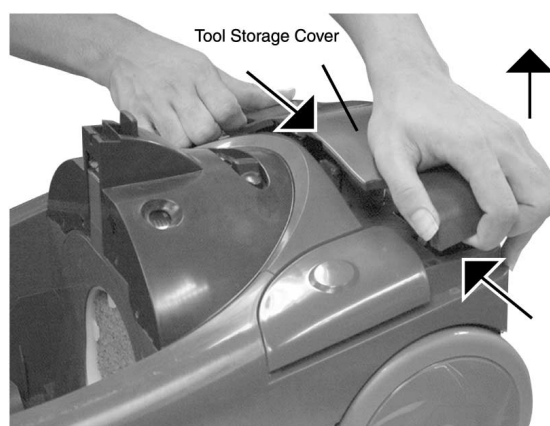


Fig.2

3. Remove the Indicator plate screw 1 pc. (Fig.3)

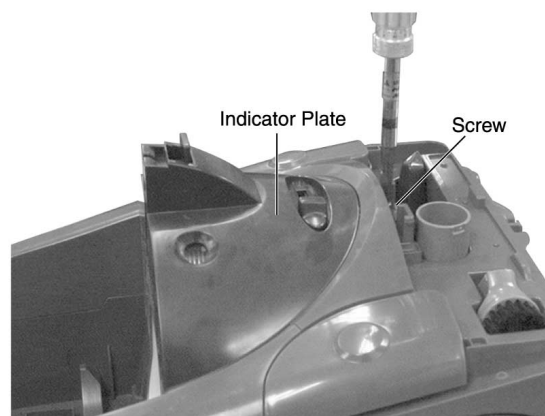


Fig.3

4. Remove the Indicator plate unit by using (-)minus screwdriver to unlock. (Fig.4)

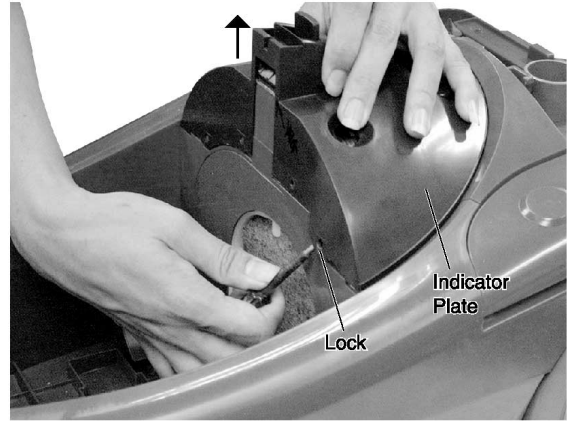


Fig.4

5. Remove the Indicator unit upward. (Fig.5)

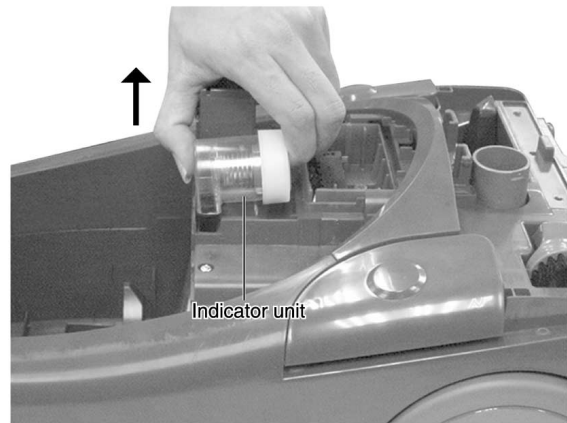


Fig.5

6. Remove the Buckle unit by sliding forward. (Fig.6)

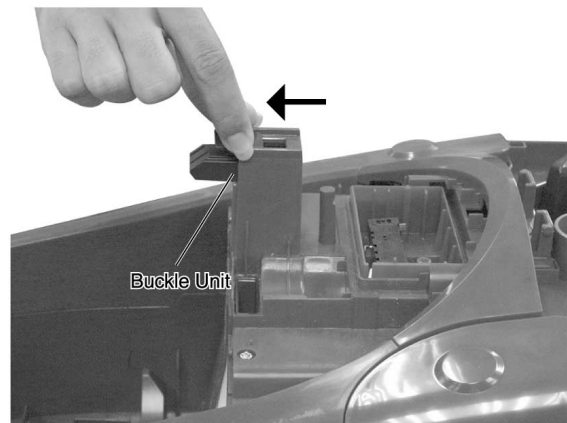


Fig.6

7. Remove the Body Cover Upward as shown. (Fig7)

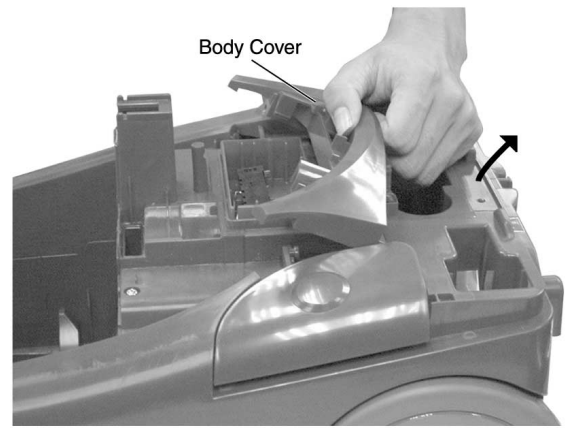


Fig.7

8. Remove Brake pedal and ON/OFF switch pedal. (Fig.8)

*Note: Do not lost the spring

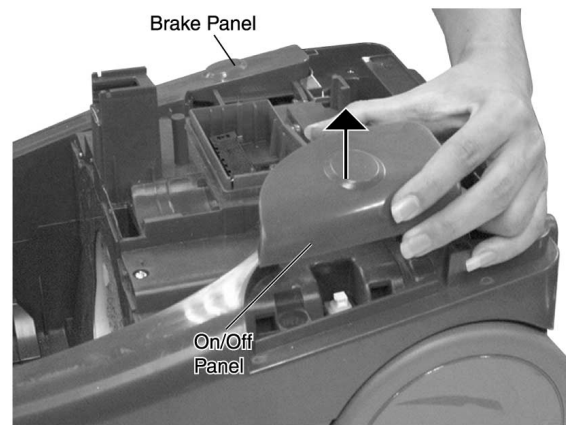


Fig.8

9. Push one end and pull upward the Brake Lever unit as shown. (Fig.9)

*Note: Do not lost the spring.

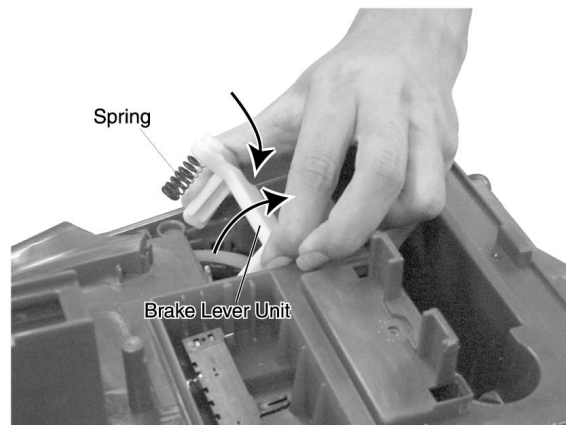


Fig.9

10. Remove the upper Body screw (6pcs) and pull upward.(Fig 10 ~ Fig 11).

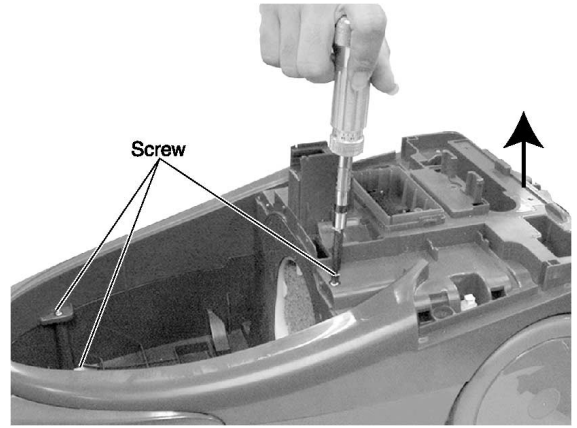


Fig.10

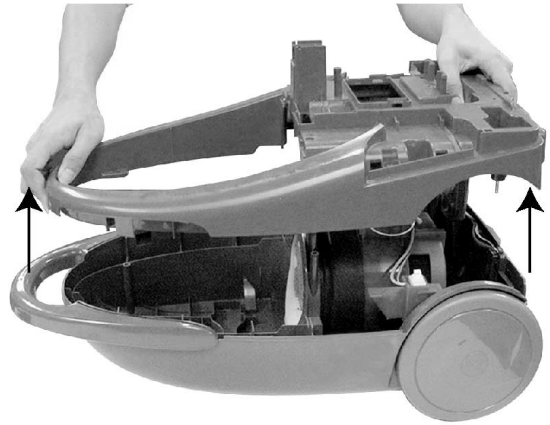


Fig.11

11. Remove the Body partition unit and motor unit together. (Fig.12)

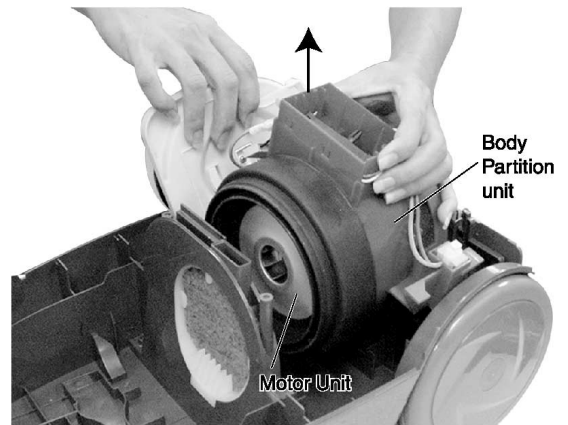


Fig.12

12. Remove the Filter Holder from behind. (Fig.13)

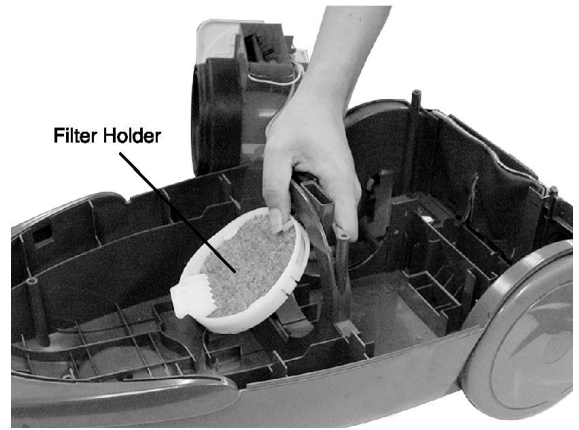


Fig.13

13. Pull the synthetic Filter from the Dust Compartment unit. (Fig.14)

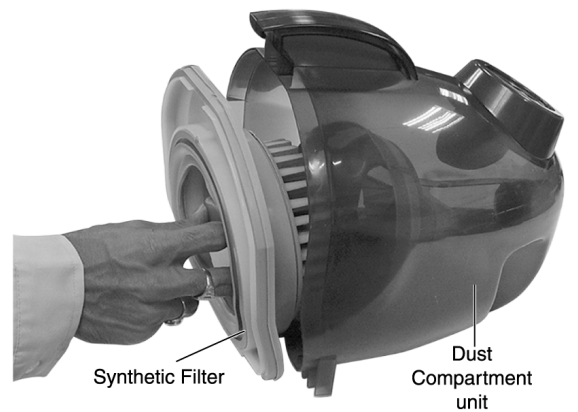
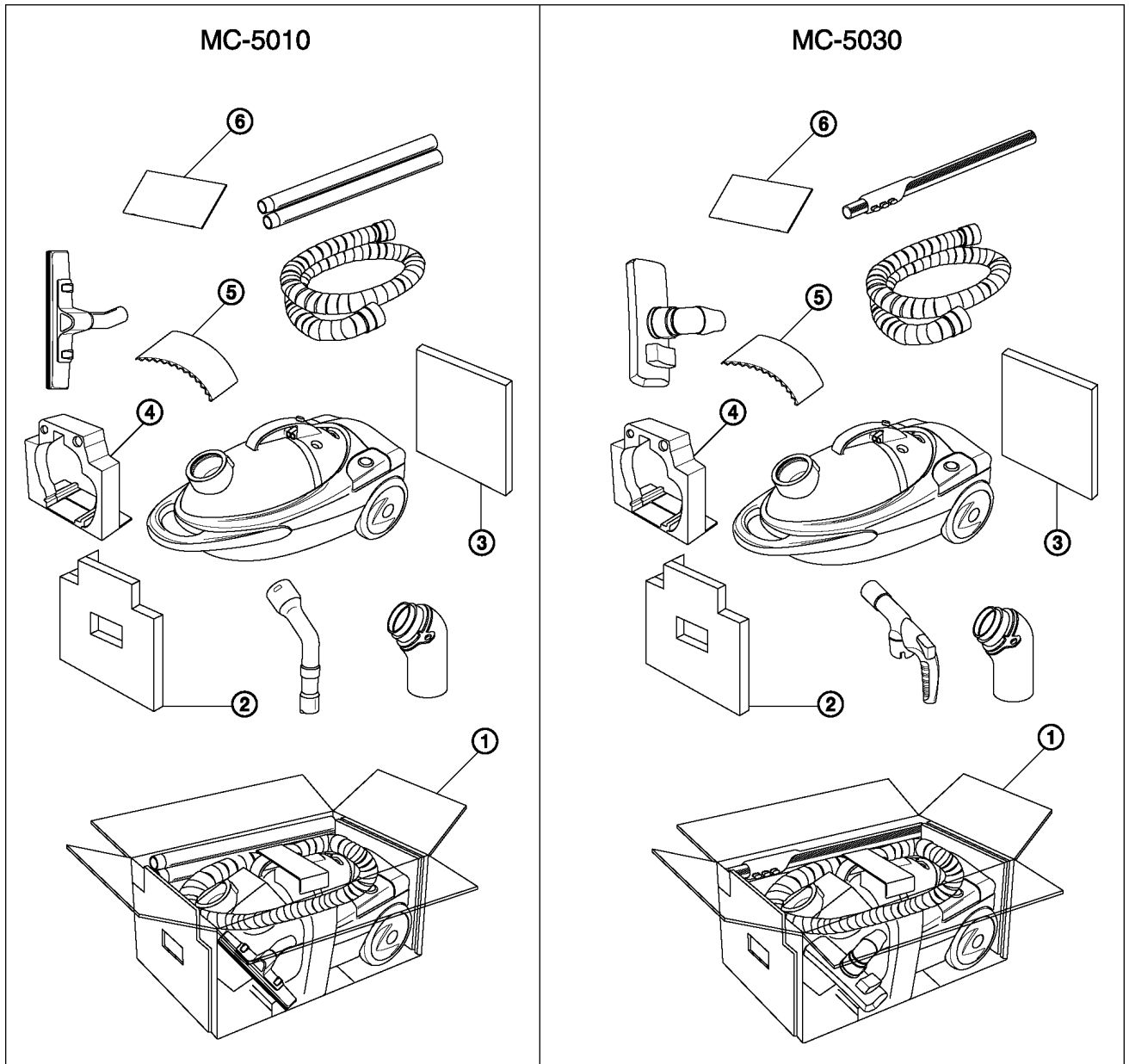


Fig.14

10 TROUBLE SHOOTING GUIDE

CONDITION	CHECKPOINT	CHECK METHOD	CAUSE/REMEDY
MOTOR DOES NOT ROTATE	<ul style="list-style-type: none"> • Power outlet. 	<ul style="list-style-type: none"> • Measure power source voltage at plug socket with tester. 	<ul style="list-style-type: none"> • If voltage is lower than specified, Power source is defective.
	<ul style="list-style-type: none"> • Continuity of Power cord. 	<ul style="list-style-type: none"> • Connect tester across both conductive blades of plug and check deflection of tester needle when main switch turns on or off. 	<ul style="list-style-type: none"> • Cord is open, if tester needle does not move.
	<ul style="list-style-type: none"> • Continuity between rail of cord reel unit and cord plug. 	<ul style="list-style-type: none"> • Short across AC plug end then with tester check for continuity across rail copper rings of cord reel unit. 	<ul style="list-style-type: none"> • Cord is open or rail of cord reel unit defective if tester needle does not move.
	<ul style="list-style-type: none"> • Continuity of motor. 	<ul style="list-style-type: none"> • Check continuity between lead wires connected from motor. 	<ul style="list-style-type: none"> • If there is no continuity, motor, starter/rotor coil is open.
	<ul style="list-style-type: none"> • Contact with motor carbon brush and rotor. 	<ul style="list-style-type: none"> • Check if there is gap between carbon brush and rotor. 	<ul style="list-style-type: none"> • If there is gap, dust is accumulated in brush holder or brush is worn out, adjust or replace.
	<ul style="list-style-type: none"> • Continuity of main switch. 	<ul style="list-style-type: none"> • Connect tester across main switch terminals and make switch actuator on and off. 	<ul style="list-style-type: none"> • If no continuity, main switch is defective.
POOR SUCTION POWER. (CHECK IF DUST INDICATOR SHOWS FULL)	<ul style="list-style-type: none"> • Dust Cover. 	<ul style="list-style-type: none"> • Check if dust cover is full. 	<ul style="list-style-type: none"> • Remove dust.
	<ul style="list-style-type: none"> • Hose or wand clogged with dust. 	<ul style="list-style-type: none"> • Check all hose and wands for clog. 	<ul style="list-style-type: none"> • If clogged, remove clog.
	<ul style="list-style-type: none"> • Dust in paper/cloth bag. 	<ul style="list-style-type: none"> • Check dust accumulated in paper/cloth bag. 	<ul style="list-style-type: none"> • Check paper/cloth Bag or replace.
CORD REWINDS BY ITSELF	<ul style="list-style-type: none"> • Oil adhering on brake roller. 	<ul style="list-style-type: none"> • Check by hand. 	<ul style="list-style-type: none"> • Wipe with cloth dipped in alcohol.
	<ul style="list-style-type: none"> • Brake spring deformed. 	<ul style="list-style-type: none"> • Move lever by hand to see if brake lever returns to original position. 	<ul style="list-style-type: none"> • If does not return, brake spring is defective. Replace.
	<ul style="list-style-type: none"> • oil on outside circumference of cord reel assembly. 	<ul style="list-style-type: none"> • Touch surface of the cord reel by hand and see if oil is on it. 	<ul style="list-style-type: none"> • Wipe with cloth dipped in alcohol.
CORD WOULD IMPROPERLY	<ul style="list-style-type: none"> • Winding of cord on reel. 	<ul style="list-style-type: none"> • Pull out 2~ 3 times and see if cord is entirely rewound on cord reel. 	<ul style="list-style-type: none"> • If 1~2m of cord is not rewound, increase cord reel tension by one turn.
NOISE AND VIBRATION	<ul style="list-style-type: none"> • Dust in motor fan. 	<ul style="list-style-type: none"> • Check dust in motor fan. 	<ul style="list-style-type: none"> • Clean dust out of motor fan and check filter position & condition.
	<ul style="list-style-type: none"> • Carbon brushes. 	<ul style="list-style-type: none"> • Check for uneven wear of carbon. 	<ul style="list-style-type: none"> • Replace carbon brushes (Replace carbon brushes at same time.)
POWER CUT OFF AUTOMATICALLY	<ul style="list-style-type: none"> • Power failure. 	<ul style="list-style-type: none"> • Check your power supply. 	<ul style="list-style-type: none"> • Install your power supply.
	<ul style="list-style-type: none"> • Over heated. 	<ul style="list-style-type: none"> • Check conductivity of thermo protector. 	<ul style="list-style-type: none"> • Let set cool down for 20 minute, thermo protector will "ON" again automatically.
	<ul style="list-style-type: none"> • Control circuit brake off. 	<ul style="list-style-type: none"> • Check connector contacts and condition of components. 	<ul style="list-style-type: none"> • Replace new control circuit.

11 PACKING INSTRUCTION



PACKING LIST

REF NO.	PART NAME	PART NUMBER	Model (set/pcs)			REMARKS
			MC-5010	MC-5010	MC-5030	
			National M'sia	Panasonic	Panasonic	
1	Carton Box	YMC61ZTA000	1	-	-	National - Malaysia
(1)	Carton Box	YMC61ZTA10V	-	1	-	Panasonic - Malaysia
(1)	Carton Box	YMC61ZTA00X	-	1	-	Egypt
(1)	Carton Box	YMC61ZTA004	-	1	-	Middle East & Africa
(1)	Carton Box	YMC61ZTA00G	-	1	-	Asia & Ocenia
(1)	Carton Box	YMC61ZTB00a	-	-	1	Asia
(1)	Carton Box	YMC61ZTB004	-	-	1	Middle East & Africa
(1)	Carton Box	YMC61ZTB00G	-	-	1	Ocenia
(1)	Carton Box	YMC61ZTB00X	-	-	1	Egypt
2	Cushion A	YMC69ZTB000	1	1	1	
3	Cushion B	YMC70ZTB000	1	1	1	
4	Body Cushion	YMC71ZTB000	1	1	1	
5	Partition Board	YMC48ZTB000	1	1	1	
6	Operating Instruction	YMC01ZTB00C	-	1	1	E/A/P
(6)	Operating Instruction	YMC01ZTB00V	-	1	1	E/R/T
(6)	Operating Instruction	YMC01ZTB00V	1	-	-	Malaysia
(6)	Operating Instruction	YMC01ZTB00A	1	1	1	E/C/S