

Service Manual

MODELS: NR-B420M/MS/MW, B480M/MS/MW, B570M/MS/MW/D, B53D2,
B643M/MS/MW/D, B703M/MS/MW, C603D, C703M/MS/MW/D



NR-B570D



CFCs have been used in refrigerator as refrigerant and the insulation materials for many years. But it is now known that these compounds which once seemed so ideal for use as cleaning agents and in refrigeration systems, destroy the earth's ozone layer. As a result, an international body decided on a total worldwide ban of harmful CFCs by the end 1995.

EXPLANATION OF COLOUR CODE

The suffix of model number shows the colour of that unit as in the following table.

Suffix	Colour
S	TITANIUM SILVER
W	WHITE

CONTENTS

Page

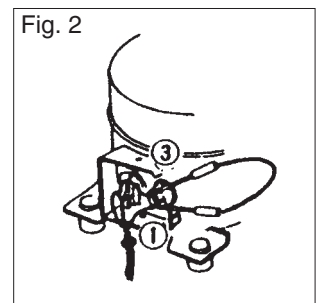
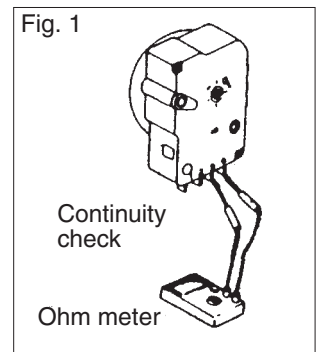
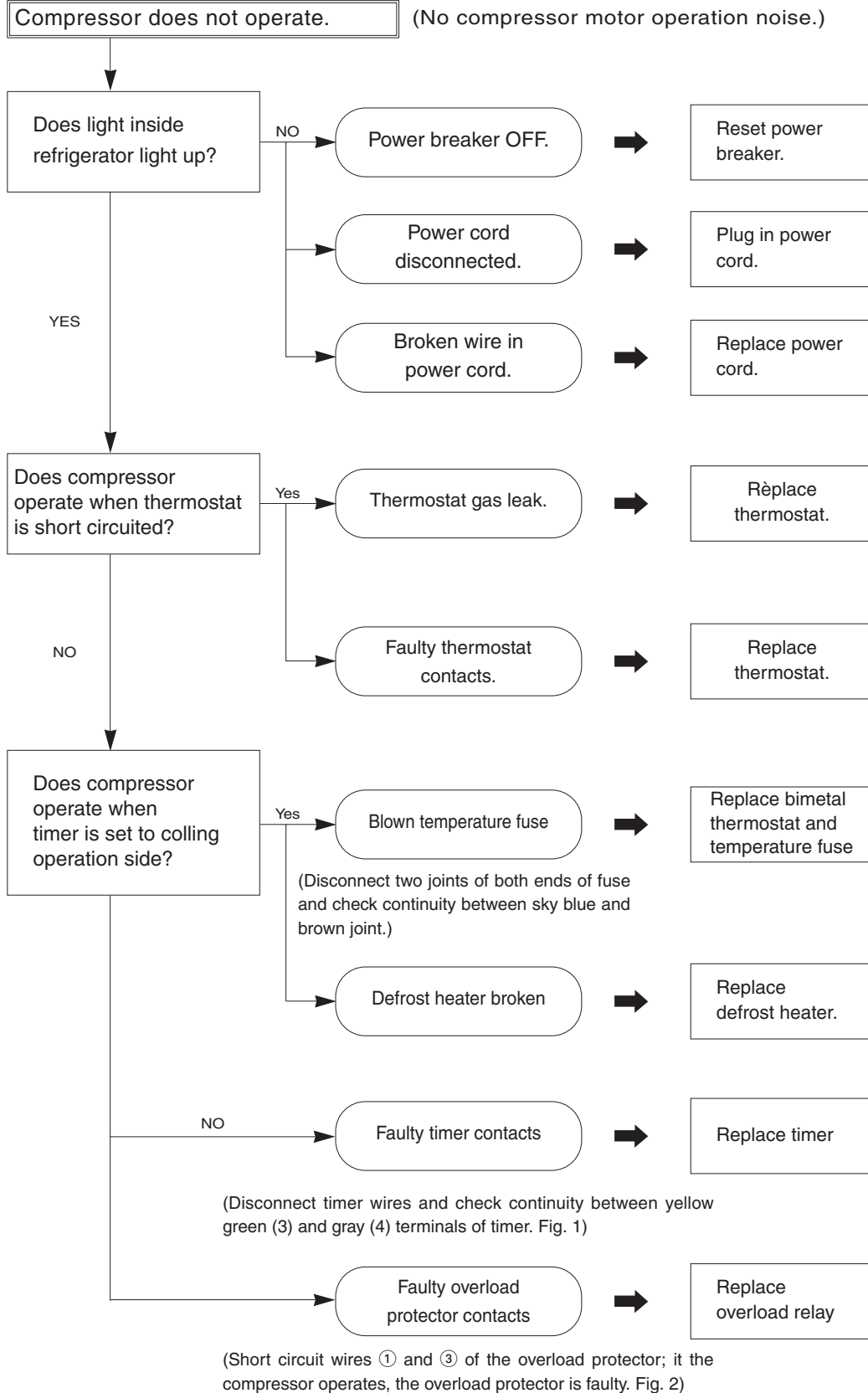
SECTION I	TROUBLE SHOOTING GUIDE	2
SECTION II	SPECIFICATIONS & COMPONENTS	6
SECTION III	SCHEMATIC DIAGRAMS	11
SECTION IV	DISASSEMBLY INSTRUCTION.....	12
SECTION V	PARTS LOCATION.....	16
SECTION VI	REPLACEMENT PARTS LIST	24

Panasonic

© 2003 Matsushita Electric Industrial Co., Ltd.
All rights reserved. Unauthorized copying and distribution is a violation of law.

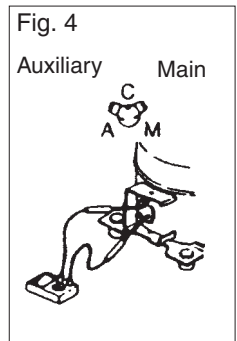
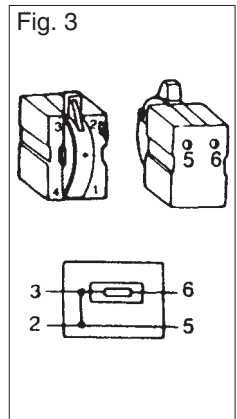
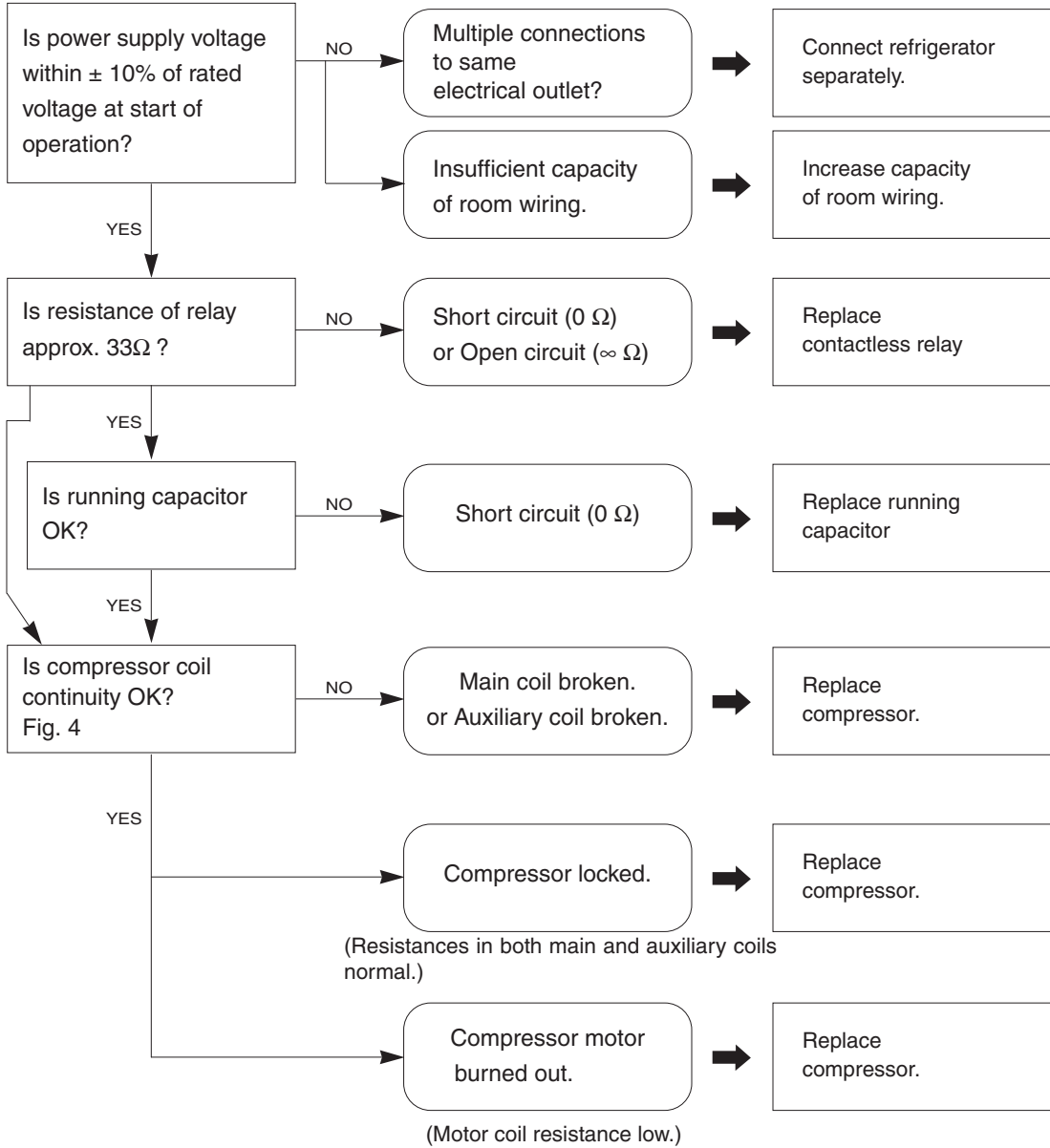
SECTION I TROUBLE SHOOTING GUIDE

Symptom 1. No cooling at all.



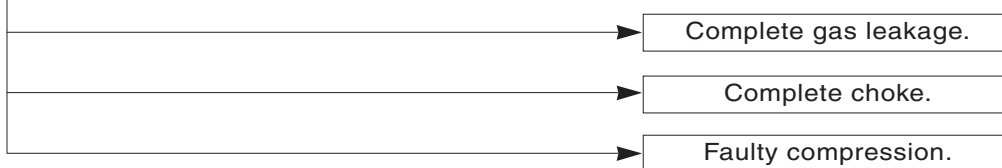
Compressor does not operate.

(There is operation noise. but overload protector functions and compressor stops; this occurs repeatedly.)

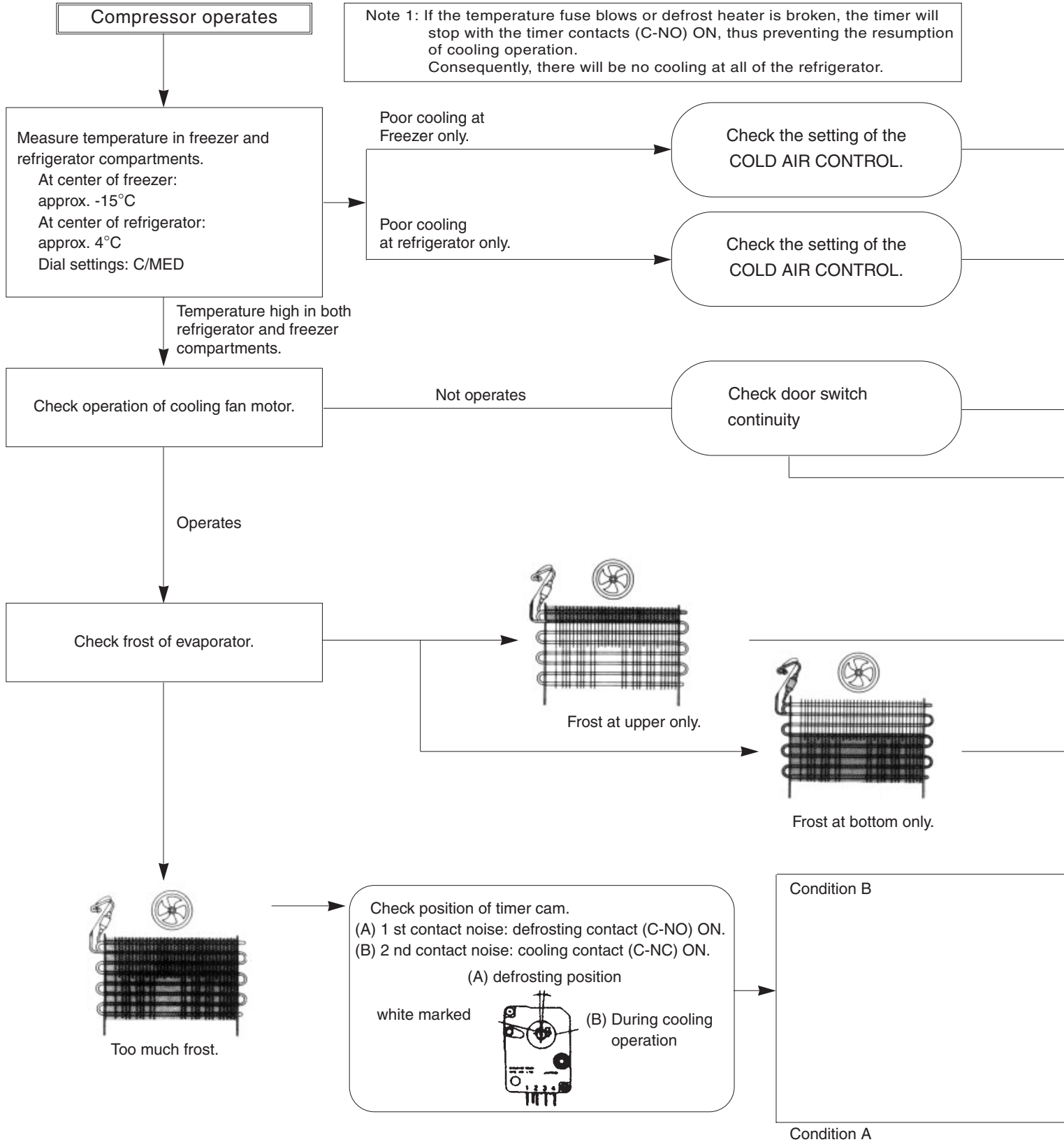


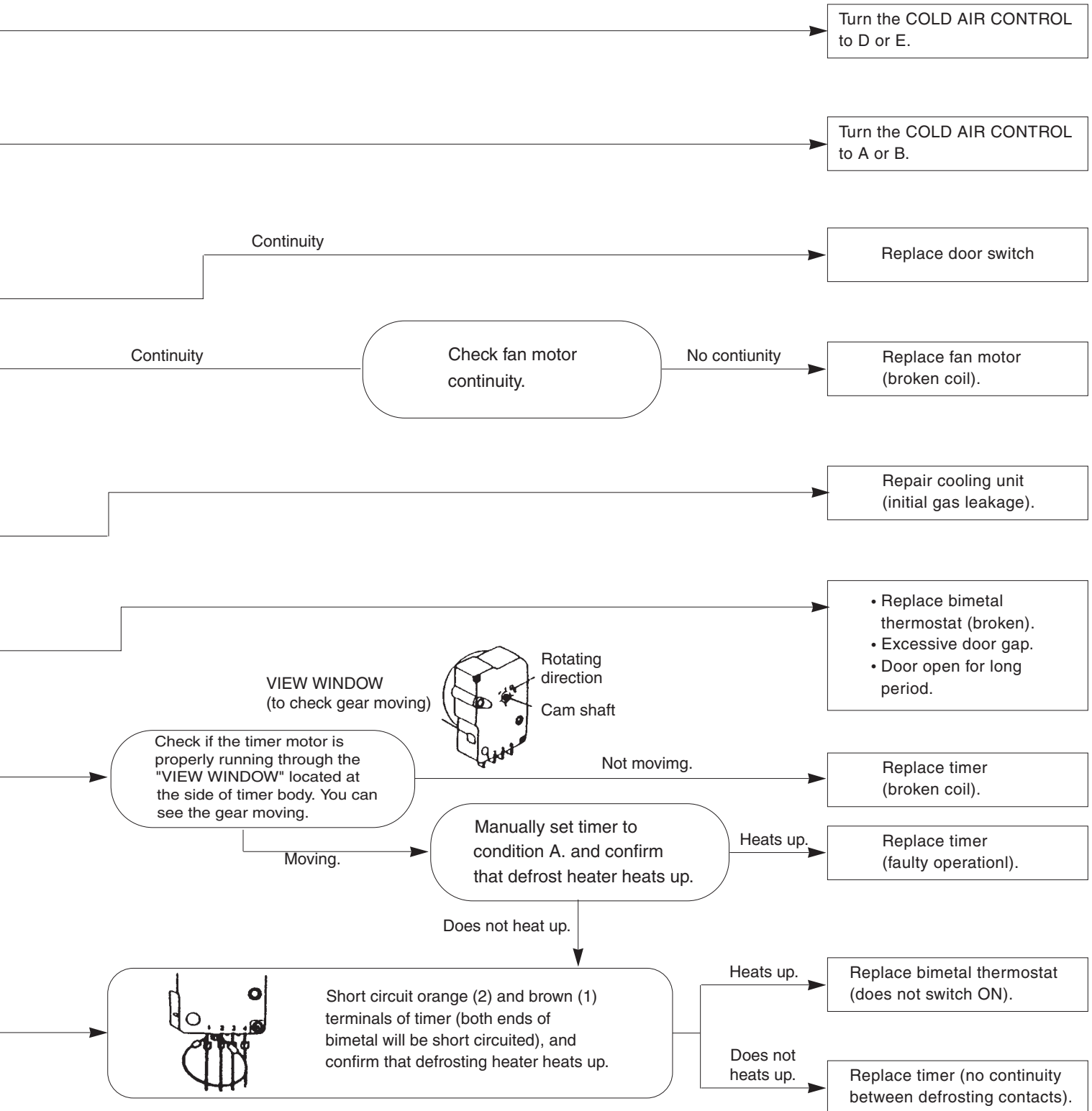
Compressor operate.

(Condenser temperature is low.)



Symptom 2. Poor cooling





SECTION II SPECIFICATIONS & COMPONENTS

MODEL	NR-B420M/MW	NR-B420MS	NR-B480MS
SPECIFICATIONS			
Net Capacity	338L (FC:89L, PC: 249L)		433L (FC:103L, PC: 330L)
Gross Capacity	369L (FC:111L, PC: 258L)		473L (FC:129L, PC: 344L)
Outside dimensions			
Width	674 mm		694 mm
Depth	690 mm		690/701 mm
Height	1,650 mm		1,780 mm
Net weight	66 kg		68 kg
Type	Frost-free refrigerator/freezer		
Temperature control	Full-automatic direct control (FC: ATC thermo., PC: Damper thermo.)		
Defrosting	Full-automatic heater defrost with timer		
Defrost water disposal	Full-automatic (Forcible evaporated into the air)		
Exterior finish	Polyester coated finish		
Inner liner	Vacuum formed ABS resin		
Insulation	Polyurethane foam (cabinet & door)		
Power source	AC 220~240V/50Hz	AC 220~230V/60Hz	
SEALED UNIT			
Compressor	DD86C18RAW5	D110C22RAX6	
(Winding Resistance measured at 20°C)	(Main) 8.5 Ω	(Main) 5.21 Ω	(Auxiliary) 7.02 Ω
	(Auxiliary) 21.1 Ω		
Evaporator	Fin tube type		
Condenser	Wrapper type (Consealed condenser)		
Refrigerant charge	HFC-134a, 145g		
Oil charge	350 ml	300 ml	
ELECTRIC PARTS			
Starting relay (contact-less type)	PTH7M330MC2		
Overload protector	5TM734MFBYY	4TM757LFBYY-68	
Thermostat	TBA-1011		
Fan motor	UDVH15NA3H	UDVH15NA1Y	
Fan blade	φ100		
Defrost timer	TMDJ-702AC1/Cycle: 18 hours 46 min./ 50Hz; 7 hours 18 min./60Hz Rating of contacts: 240V/5A, Winding resistance: OPEN (to DC test voltages)		
Bimetal thermo.	US-602SXRMQ0-TO, Temp. cut-in: -5°C. Temp. cut-out: 13°C Rating of contacts: 250V/10A		
Fuse	G4A00072, 380V/10A/72°C		
Defrost heater	230V/150W/353 Ω		
PC damper thermo.	SD-8021-4		
Lamp bulb	E14/240V/15W		
Door switch (PC)	(PC: 3111) 250V/1A		
Running capacitor	4μF/350V	6μF/400V	

MODEL	NR-B480M/MW	NR-B570M/MW	NR-B570MS/D-*9
SPECIFICATIONS			
Net Capacity	385L (FC:89L, PC: 296L)	456L (FC:103L, PC: 353L)	
Gross Capacity	418L (FC:111L, PC: 307L)	497L (FC:129L, PC: 368L)	
Outside dimensions			
Width	694 mm	724 mm	724 mm
Depth	609/701 mm	731 mm	731/742 mm
Height	1,780 mm	1,752 mm	1,752 mm
Net weight	68 kg	70 kg	
Type	Frost-free refrigerator/freezer		
Temperature control	Full-automatic direct control (FC: ATC thermo., PC: Damper thermo.)		
Defrosting	Full-automatic heater defrost with timer		
Defrost water disposal	Full-automatic (Forcible evaporated into the air)		
Exterior finish	Polyester coated finish		
Inner liner	Vacuum formed ABS resin		
Insulation	Polyurethane foam (cabinet & door)		
Power source	AC220-240V/50Hz	AC220-230V/60Hz	
SEALED UNIT			
Compressor	DD86C18RAW5	D110C21RAX5	D110C22RAX6
(Winding Resistance measured at 20°C)	(Main) 8.53 Ω (Auxiliary) 21.1 Ω	(Main) 7.28 Ω (Auxiliary) 17.5 Ω	(Main) 5.21 Ω (Auxiliary) 7.02 Ω
Evaporator	Fin tube type		
Condenser	Wrapper type (Consealed condenser)		
Refrigerant charge	HFC-134a, 145g	HFC-134a, 140g	
Oil charge	350 ml	310ml	300 ml
ELECTRIC PARTS			
Starting relay (contact-less type)	PTH7M 330MD2		
Overload protector	5TM734MFBYY	MM3-27FCF	4TM757LFBYY-68
Thermostat	TBA-1011	TBA-1002	
Fan motor	UDVH15NA3H	UDVH15NA1Y	
Fan blade	φ100	φ120	
Defrost timer	TMDJ-702ACI/Cycle: 8 hours 46min./ 50Hz; 7 hours 18 min./60Hz Rating of contacts: 240V/5A, Winding resistance: OPEN (to DC test voltages)		
Bimetal thermo.	US-602SXRMQ0-TO, Temp. cut-in: -5°C. Temp. cut-out: 13°C Rating of contacts: 250V/10A, Winding resistance: OPEN (to DC test voltages)		
Fuse	G4A00072, 380V/10A/72°C		
Defrost heater	230V/200W/265 Ω		
PC damper thermo.	SD-8021-4	SD-8031	
Lamp bulb	E14/240V/15W		
Door switch (PC)	(PC: 3111) 250V/1A		
Running capacitor	4μF/350V	4μF/400V	6μF/400V

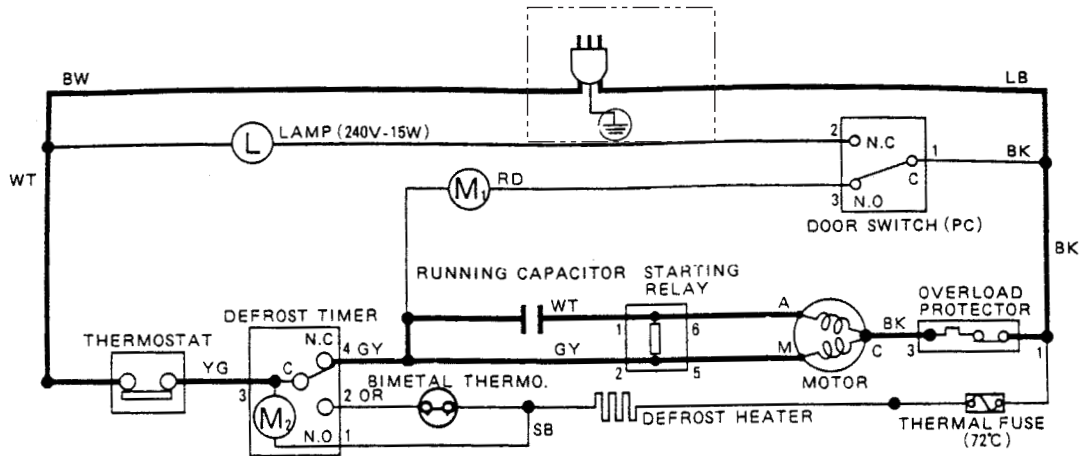
MODEL	NR-B570D	NR-B643D/B53D2	NR-B643MS/D-*9
SPECIFICATIONS			
Net Capacity	456L (FC:103L, PC: 353L)	521L (FC:129L, PC: 392L)	
Gross Capacity	497L (FC:129L, PC: 368L)	567L (FC:158L, PC: 409L)	
Outside dimensions			
Width	774 mm	774 mm	774 mm
Depth	742 mm	771 mm	760/771 mm
Height	752 mm	1,772 mm	1,772 mm
Net weight	70 kg	81 kg	
Type	Frost-free refrigerator/freezer		
Temperature control	Full-automatic direct control (FC: ATC thermo., PC: Damper thermo.)		
Defrosting	Full-automatic heater defrost with timer		
Defrost water disposal	Full-automatic (Forcible evaporated into the air)		
Exterior finish	Polyester coated finish		
Inner liner	Vacuum formed ABS resin		
Insulation	Polyurethane foam (cabinet & door)		
Power source	AC220~240V/50Hz		AC220~230V/60Hz
SEALED UNIT			
Compressor	DB91C19RAY5		D110C22RAX6
(Winding Resistance measured at 20°C)	(Main)	9.65 Ω	(Main) 5.21 Ω
	(Auxiliary)	12.98 Ω	(Auxiliary) 7.02 Ω
Evaporator	Fin tube type		
Condenser	Wrapper type (Consealed condenser)		
Refrigerant charge	HFC-134a, 140g		
Oil charge	350 ml		300 ml
ELECTRIC PARTS			
Starting relay (contact-less type)	PTH7M 330MD2		
Overload protector	MM3-28GCF		4TM757LFBYY-68
Thermostat	TBA-1002		
Fan motor	UDVH15NA3H		UDVH15NA1Y
Fan blade	φ120		
Defrost timer	TMDJ-702ACI/Cycle: 8 hours 46min./ 50Hz; 7 hours 18 min./60Hz Rating of contacts: 240V/5A, Winding resistance: OPEN (to DC test voltages)		
Bimetal thermo.	US-602SXRMQ0-TO, Temp. cut-in: -5°C. Temp. cut-out: 13°C Rating of contacts: 250V/10A		
Fuse	G4A00072, 380V/10A/72°C		
Defrost heater	230V/200W/265Ω		
PC damper thermo.	SD-8031	SD-8051/SD-8081-1(B53D2)	
Lamp bulb	E14/240V/15W		
Door switch (PC)	(PC : 3111) 250V/1A		
Running capacitor	4μF/400V		6μF/400V

MODEL	NR-B643M/MW	NR-B703M/MW	NR-B703MS
SPECIFICATIONS			
Net Capacity	521L (FC:129L, PC: 392L)	541L (FC:129L, PC: 412L)	
Gross Capacity	567L (FC:158L, PC: 409L)	588L (FC:158L, PC: 430L)	
Outside dimensions			
Width	774 mm	774 mm	
Depth	760 mm	760 mm	
Height	1,772 mm	1,822 mm	
Net weight	81 kg	84 kg	
Type	Frost-free refrigerator/freezer		
Temperature control	Full-automatic direct control (FC: ATC thermo., PC: Damper thermo.)		
Defrosting	Full-automatic heater defrost with timer		
Defrost water disposal	Full-automatic (Forcible evaporated into the air)		
Exterior finish	Polyester coated finish		
Inner liner	Vacuum formed ABS resin		
Insulation	Polyurethane foam (cabinet & door)		
Power source	AC220-240V/50Hz		AC220/60Hz
SEALED UNIT			
Compressor (Winding Resistance measured at 20°C)	D110C21RAX5 (Main) 7.28 Ω (Auxiliary) 17.5 Ω		D110C22RAX6 (Main) 5.21 Ω (Auxiliary) 7.02 Ω
Evaporator	Fin tube type		
Condenser	Wrapper type (Consealed condenser)		
Refrigerant charge	HFC-134a, 140g		
Oil charge	310ml		300ml
ELECTRIC PARTS			
Starting relay (contact-less type)	PTH7M330MD2		
Overload protector	MM3-27FCF		4TM757LFBYY-68
Thermostat	TBA-1002		
Fan motor	UDVH15NA3H		UDVH15NA1Y
Fan blade	φ120		
Defrost timer	TMDJ-702AC1/Cycle: 8 hours 46 min./ 50Hz; 7 hours 18 min./60Hz Rating of contacts: 240V/5A, Winding resistance: OPEN (to DC test voltages)		
Bimetal thermo.	US-602SXRMQ0-TO, Temp. cut-in: -5°C. Temp. cut-out: 13°C Rating of contacts: 250V/10A		
Fuse	G4A00072, 380V/10A/72°C		
Defrost heater	230V/200W/265 Ω		
PC damper thermo.	SD-8051		
Lamp bulb	E14/240V/15W		
Door switch (PC)	(PC: 3111) 250V/1A		
Running capacitor	4μF/400V		6μF/400V

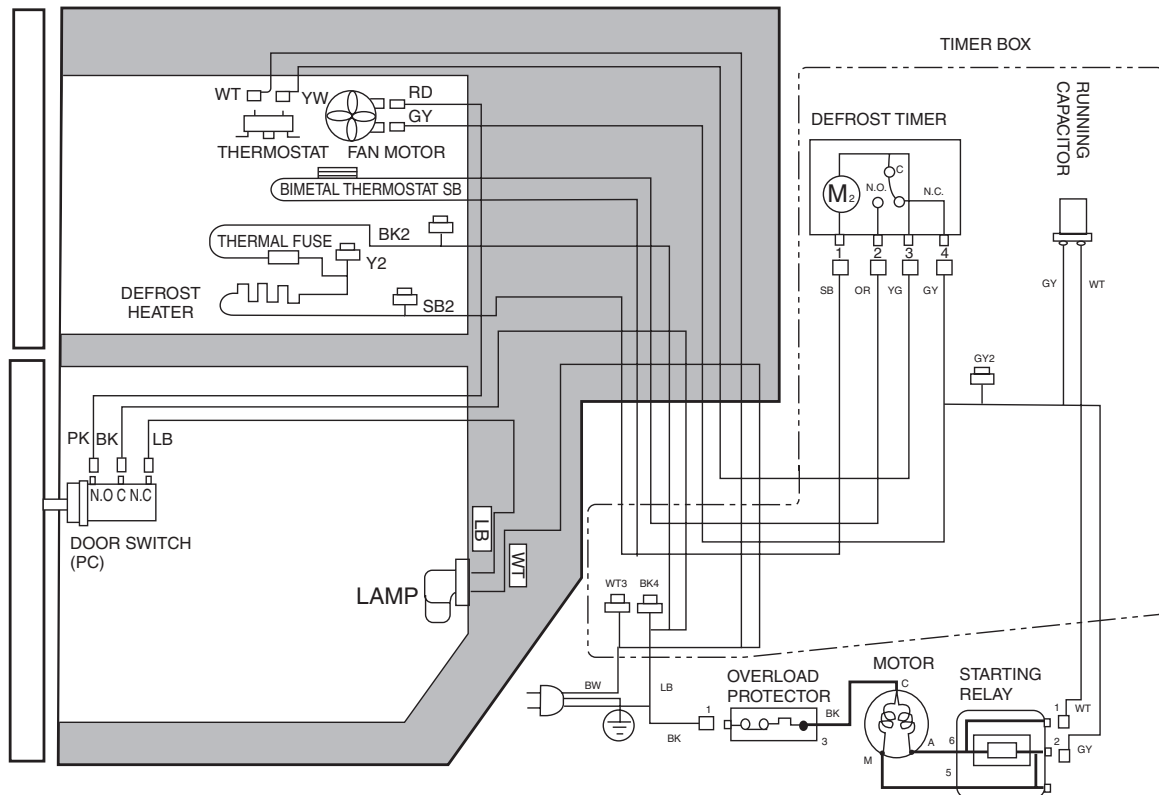
MODEL	NR-C603D	NR-C703D	NR-C703M/MW	C703MS
SPECIFICATIONS				
Net Capacity	476L (FC: 103L, PC: 272L, VC: 101L)		534L (FC: 129L, PC: 289L, VC: 116L)	
Gross Capacity	515L (FC: 129L, PC: 276L, VC: 110L)		585L (FC: 158L, PC: 304L, VF: 123L)	
Outside dimensions				
Width	724 mm	774 mm	774 mm	
Depth	742 mm	771 mm	760 mm	
Height	1,822 mm	1,822 mm	1,822 mm	
Net weight	81 kg	88 kg		
Type	Frost-free refrigerator/freezer			
Temperature control	Full-automatic direct control (FC: ATC thermo., PC: Damper thermo.)			
Defrosting	Full-automatic heater defrost with timer			
Defrost water disposal	Full-automatic (Forcible evaporated into the air)			
Exterior finish	Polyester coated finish			
Inner liner	Vacuum formed ABS resin			
Insulation	Polyurethane foam (cabinet & door)			
Power source	AC220-240V/50Hz			
SEALED UNIT				
Compressor (Winding Resistance measured at 20°C)	DB91C19RAY5 (Main) 9.65 Ω (Auxiliary) 12.98 Ω		D110C21RAX5 (Main) 7.28 Ω (Auxiliary) 17.5 Ω	D110C22RAX6 (Main) 7.28 Ω (Auxiliary) 7.02 Ω
Evaporator	Fin tube type			
Condenser	Wrapper type (Consealed condenser)			
Refrigerant charge	HFC-134a, 140g			
Oil charge	350ml	310ml	310ml	300ml
ELECTRIC PARTS				
Starting relay (contact-less type)	PTH7M330MD2			
Overload protector	MM3-28GCF	MM3-27FCF	4TM757LFBYY-68	
Thermostat	TBA-1002			
Fan motor	UDVH15NA3H			UDVH15NA1Y
Fan blade	φ120			
Defrost timer	TMDJ-702AC1/Cycle: 8 hours 46 min./ 50Hz Rating of contacts: 240V/5A, Winding resistance: OPEN (to DC test voltages)			
Bimetal thermo.	US-602SXRMQ0-TO, Temp. cut-in: -5°C. Temp. cut-out: 13°C Rating of contacts: 250V/10A			
Fuse	G4A00072, 380V/10A/72°C			
Defrost heater	230V/200W/265 Ω			
PC damper thermo.	SD-8051			
Lamp bulb	E14/240V/15W			
Door switch (PC)	(PC: 3111) 250V/1A			
Running capacitor	4μF/400V			6μF/400V

SECTION III SCHEMATIC DIAGRAMS

SCHEMATIC DIAGRAM



WIRING CONNECTION DIAGRAM



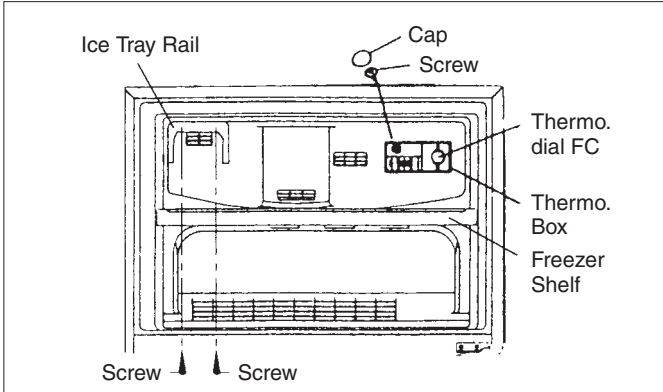
SECTION IV DISASSEMBLY INSTRUCTION

■ THERMOSTAT

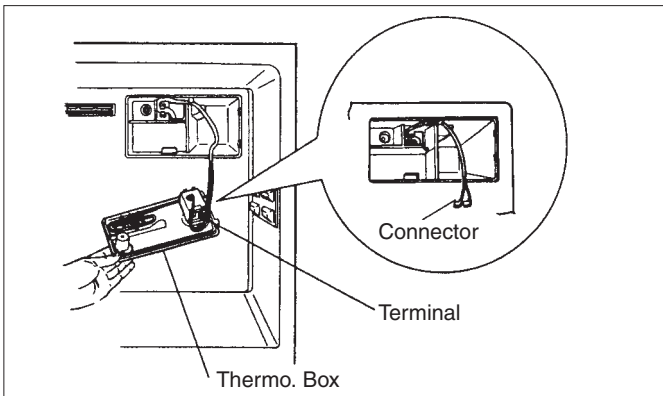
- Take out the ice tray, ice server and freezer shelf.
- Remove the screws (2 pcs) which fix the ice tray rail.
- Remove a cap and a screw at the right of evaporator cover.

NOTE:

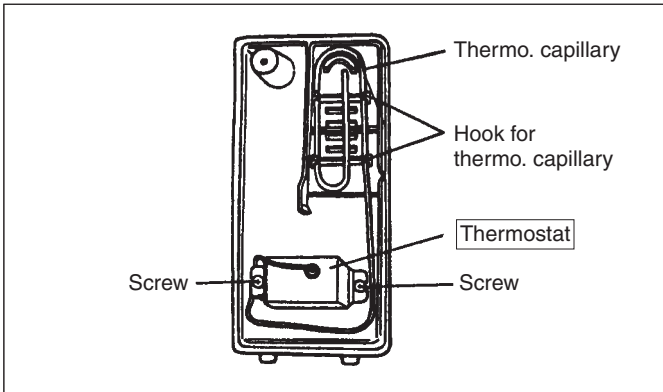
Thermo. dial can not be removed by pulling it toward you.



- Pull the left part of thermo. cover toward you to remove.
- Disconnect the terminals (2pcs.).



- Unhook thermo. capillary.
- Remove the screws (2pcs.) which fix the thermostat.



- Then thermostat and thermo. dial can be removed.

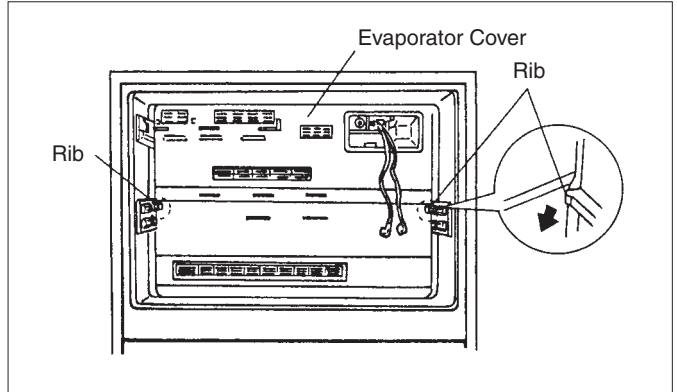
CAUTION

To replace the thermostat

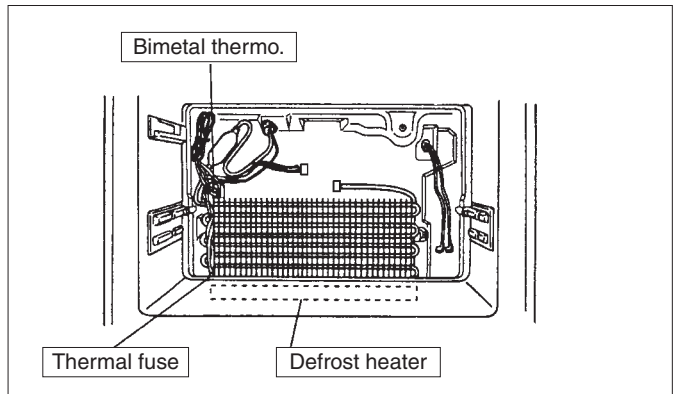
- Thermo. capillary should be hooked in plate.

■ BIMETAL THERMO., THERMAL FUSE, FAN MOTOR AND DEFROST HEATER

- Remove cap and screw.
 - Pull the evaporator cover toward you.
- ① Pull the right portion of evaporator cover at first.
 - ② Pull the top portion of evaporator cover.

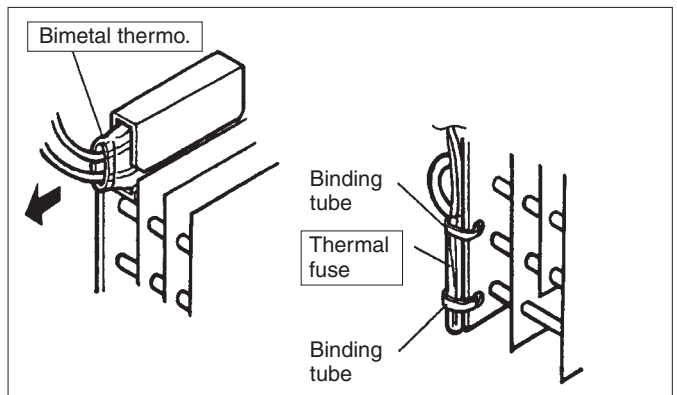


- Each part is installed as shown in the figure.



(BIMETAL THERMO., AND THERMAL FUSE)

- Pull the bimetal thermo. to the direction of arrow.
- Cut binding tube and remove thermal fuse.



To replace bimetal thermostat

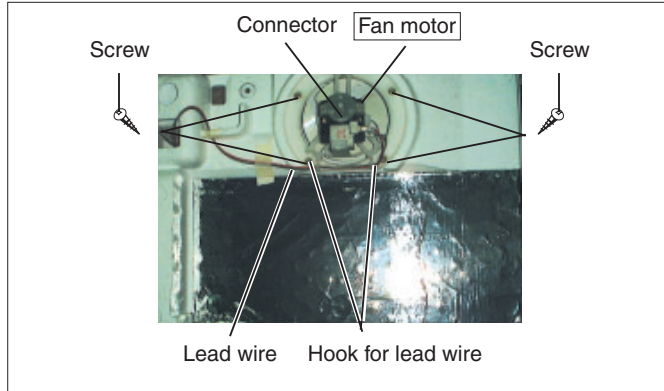
- Be sure to set bimetal thermostat so that heat sensor. (Orange wire should be lower.)

To replace thermal fuse

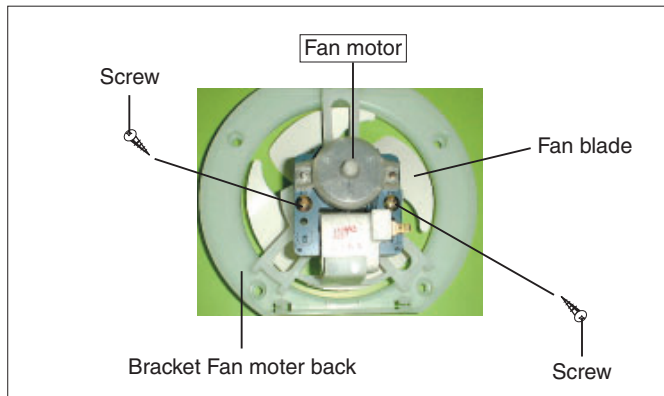
- Be sure to put thermal fuse in place.
- Bind lead wire without loose as shown in the figure.

(FAN MOTOR)

- Disconnect the terminals (2 pcs).
- Unhook lead wire (gray & red color).
- Remove the screws (4 pcs) which fix the bracket fan motor back.

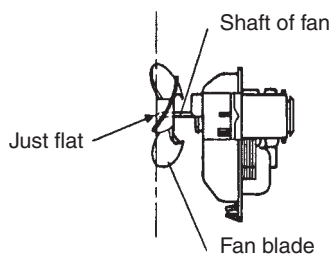


- Remove the fan blade.
- Remove the screws (2 pcs.) and which fix the fan motor.



To replace the fan motor

- Insert the blade into the shaft of fan motor for 0mm from the edge of shaft.
- Adjust lead wire after to replace fan motor.

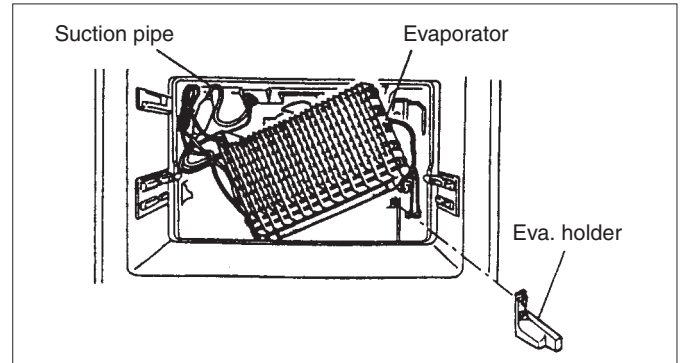


(DEFROST HEATER)

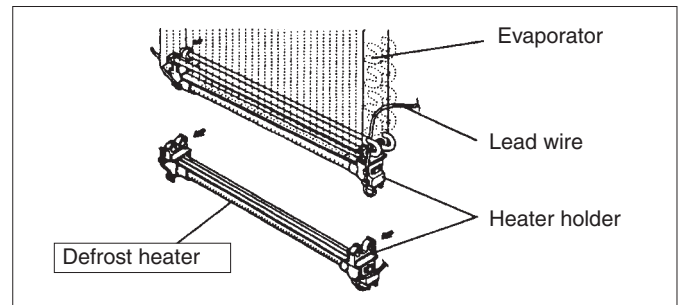
- Remove the fan motor and evaporator cover.
- Lifting the evaporator at right gradually, pull it toward you.

NOTE:

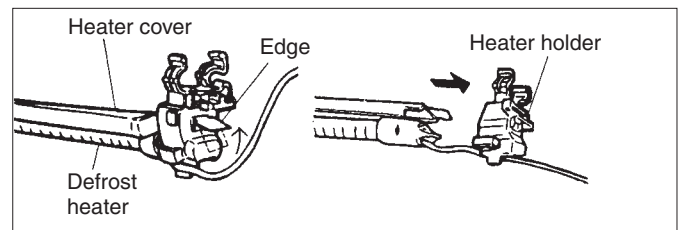
Special care should be taken not to twist and break the pipe.



- Heater holder is hooked to the evaporator pipe.
- Disconnect the connector of heater lead wire.

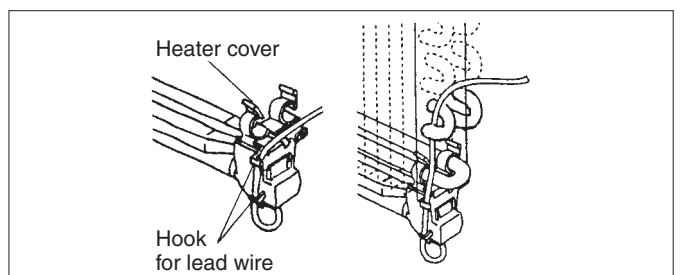


- Lift the edge of heater and make it straight.
- Then pull the heater holder as shown in the figure.



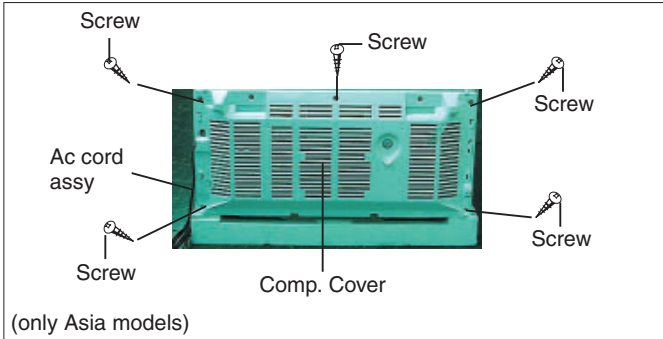
To replace the defrost heater

- Insert the heater into the heater holder properly.
- Hook the heater holder to the evaporator pipe.
- Arrange the lead wire of heater by using hook for lead wire so that it will not loose.

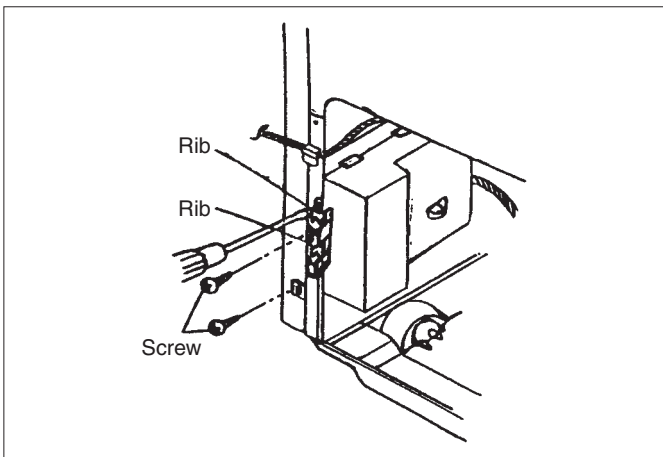


DEFROST TIMER

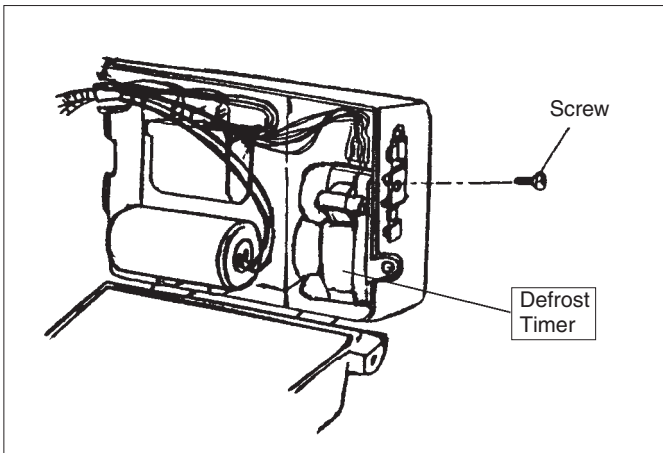
- Remove the screws (5 pcs) which fix the comp. cover.
- Remove the comp. cover.



- Unscrew screw (2pcs.).
- Pull the connector downwards to remove.
- Pushing the ribs (2portions), pull the timer box rightwards.



- Remove defrost timer, A.T bimetal thermo.

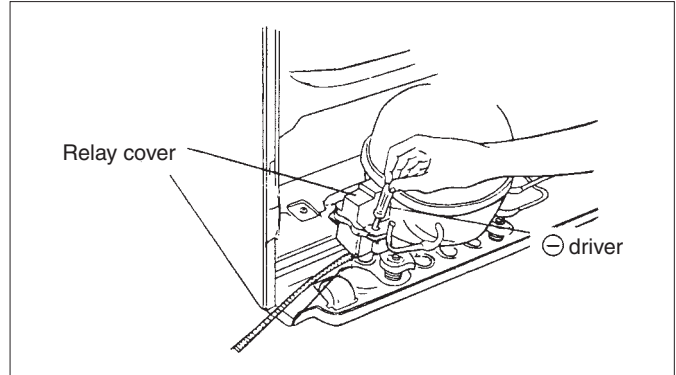


To replace the defrost timer

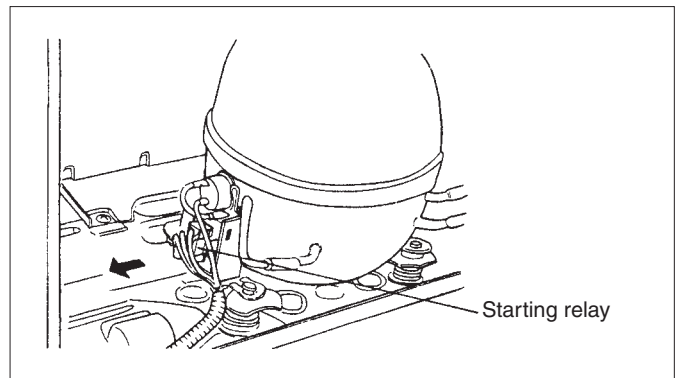
- Be sure to set the timer in cooling operation.
- Rotating direction of cam shaft is counter-clockwise.

STARTING RELAY AND OVERLOAD PROTECTOR

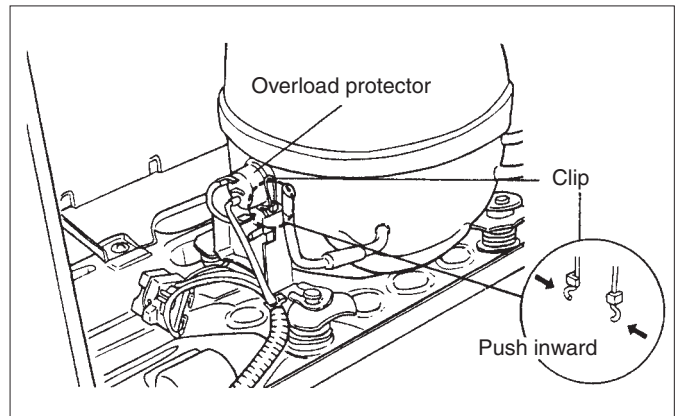
- Remove the clamp and the cover.



- Pull the starting relay leftwards to remove.



- Pushing both ends of clips inwards, pull up the overload protector.

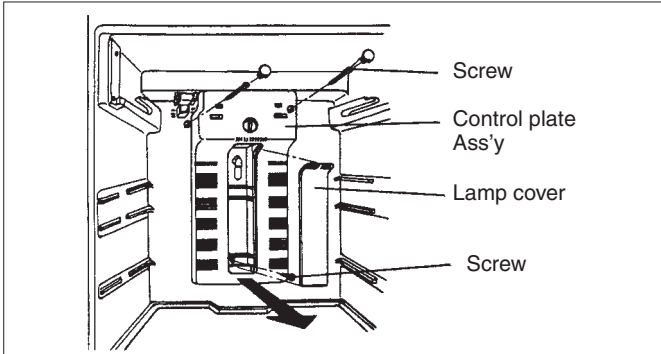


To replace the overload protector

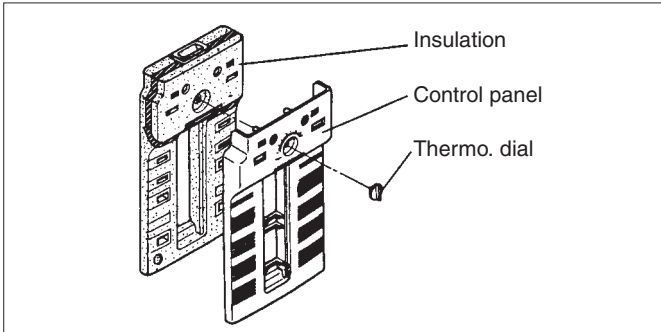
- The overload protector should be in the clip. Install the protector to touch the compressor.

DAMPER THERMOSTAT

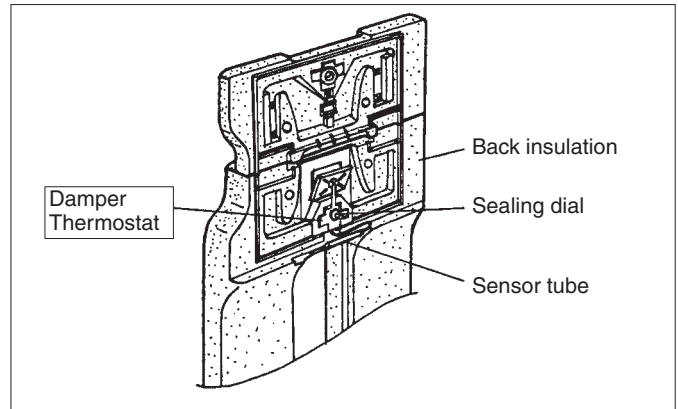
- Remove lamp cover
- Remove screws (3pcs.), and pull the bottom part of control plate ass'y.



- Pull the thermo. dial toward you.
- Then separate the insulation from the control plate.



- Tear off the tapes on insulation.
 Open the insulation from the front side
 Pull the upper portion.)
- Remove the damper thermostat from insulation.

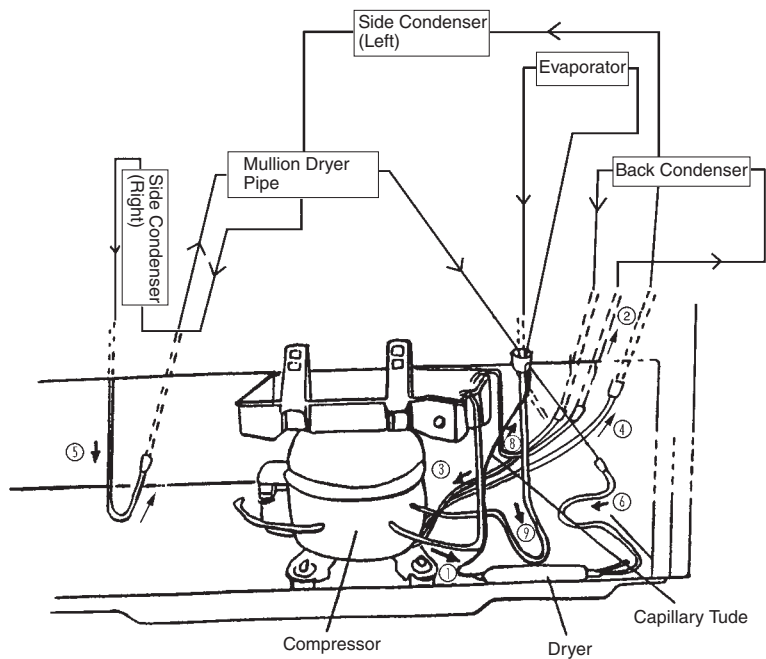


To replace damper thermo.

- Sealing dial should be put in place.
- Seal the gap between the front insulation and the back insulation by putting tape.
- Hook the sensor bulb in place.

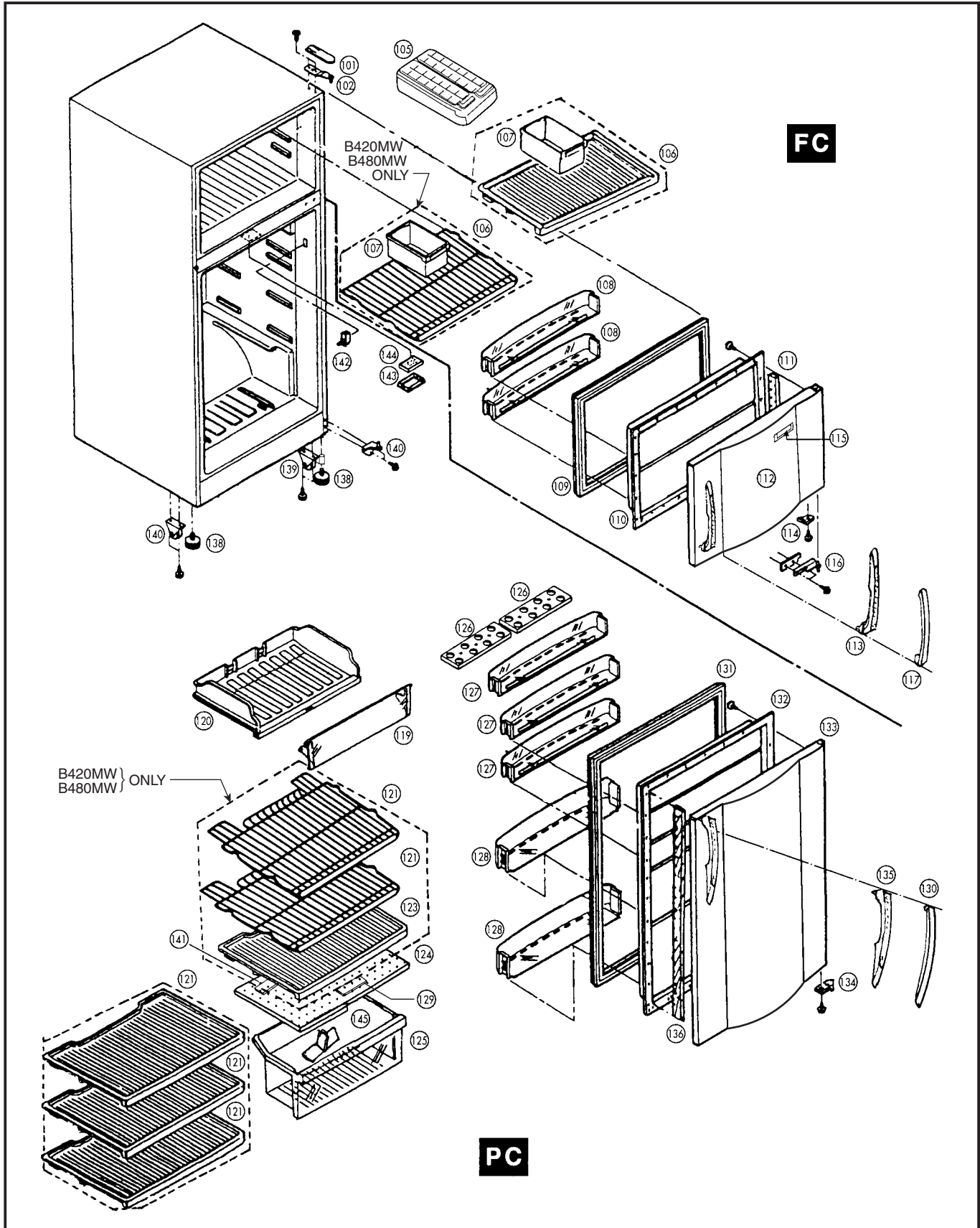
REFRIGERANT FLOW DIAGRAM

- Refrigerant flows in the refrigerating unit as shown in the figure.
- Number in the figure of "PIPE LAYOUT" corresponds to number in the refrigerant flow diagram.

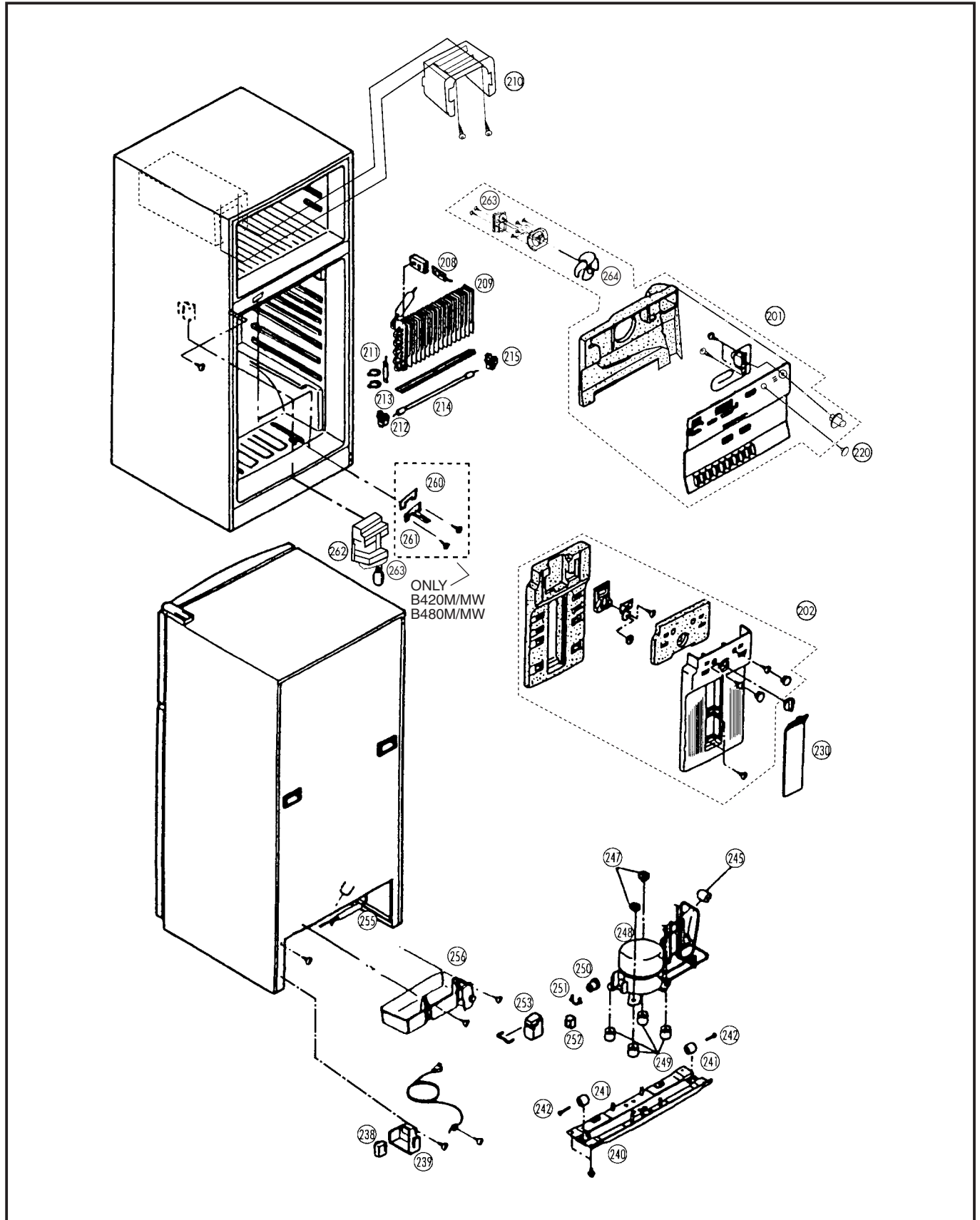


SECTION V PARTS LOCATION

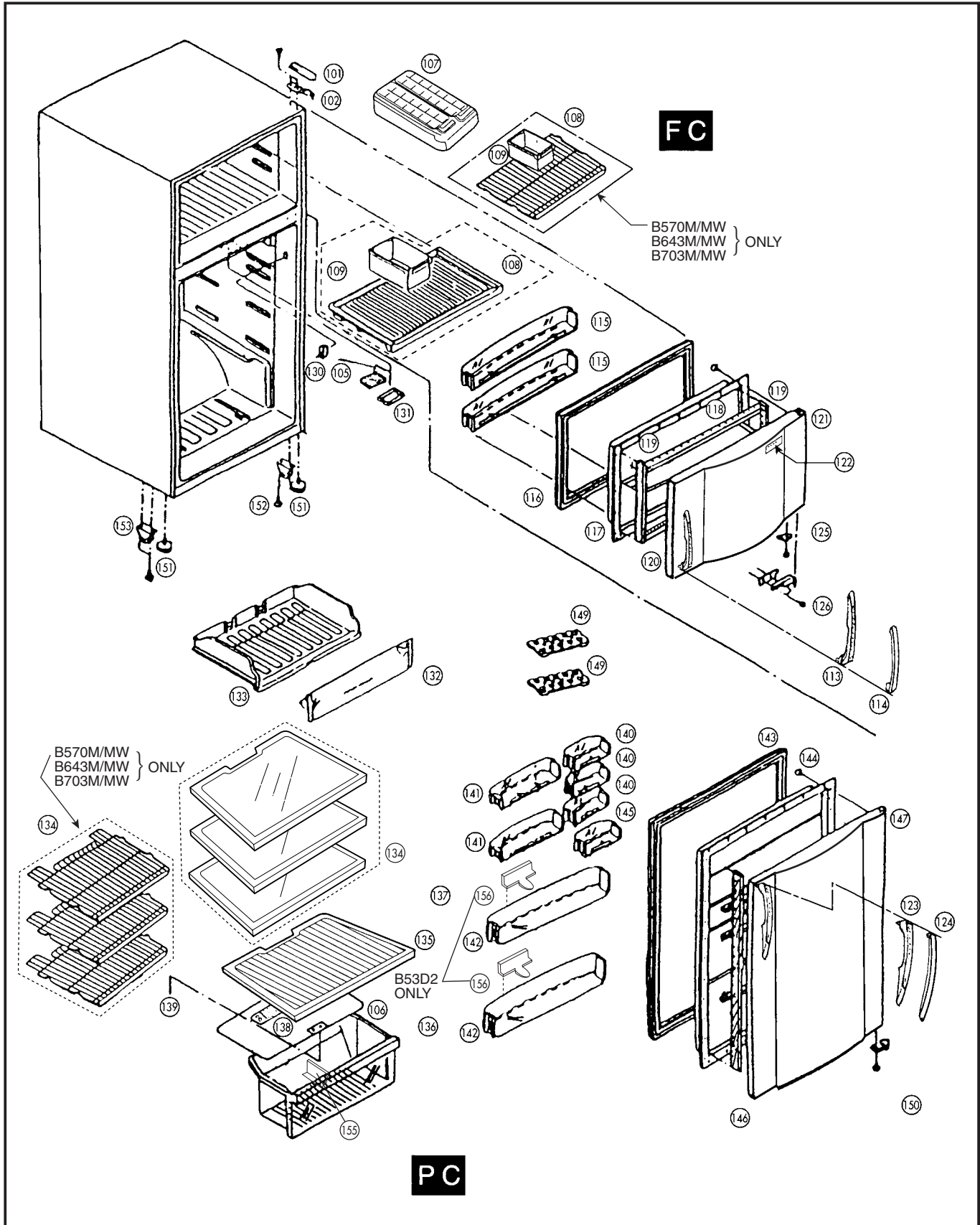
NR-B420M/MS/MW, B480M/MS/MW



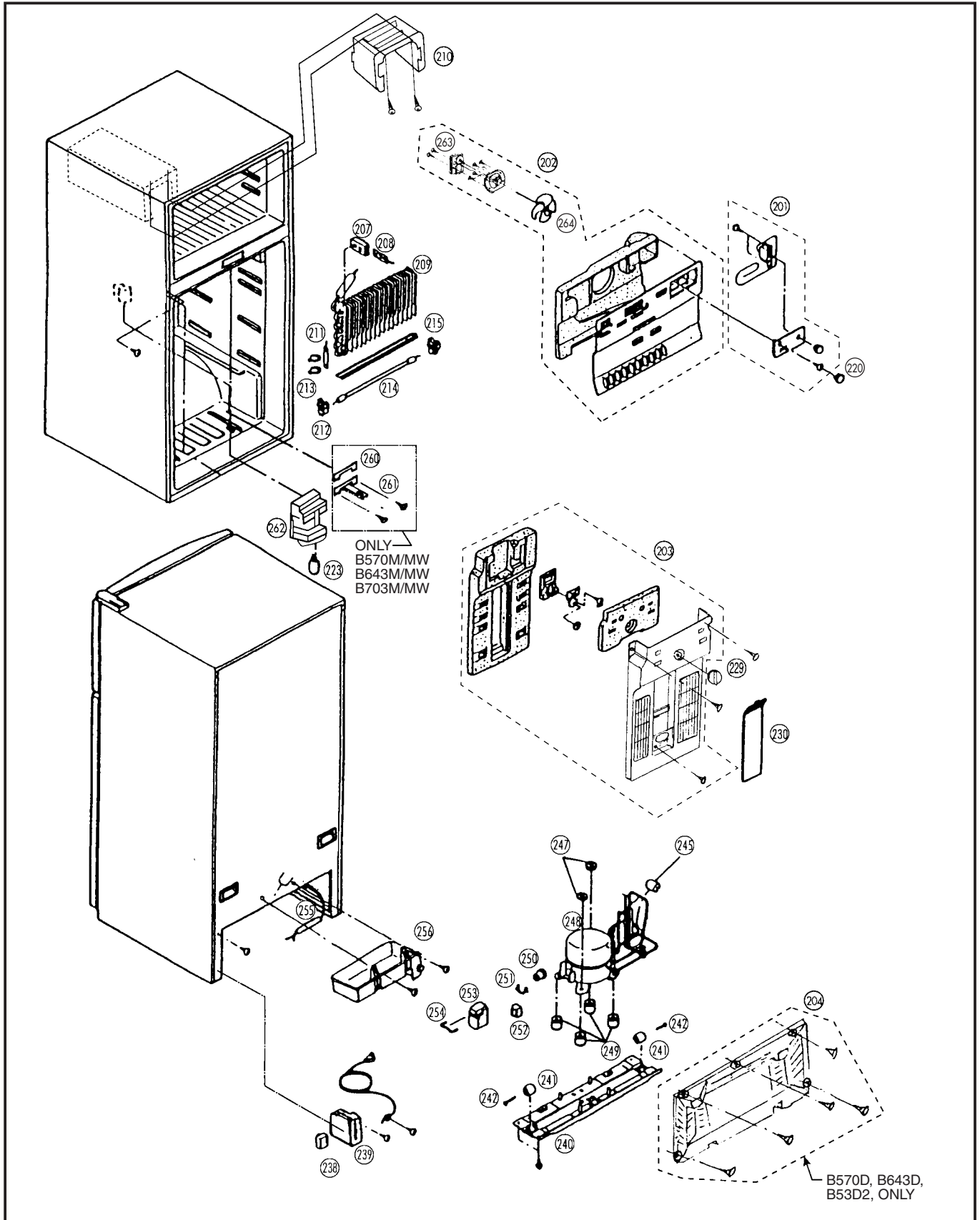
NR-B420M/MS/MW, B480M/MS/MW



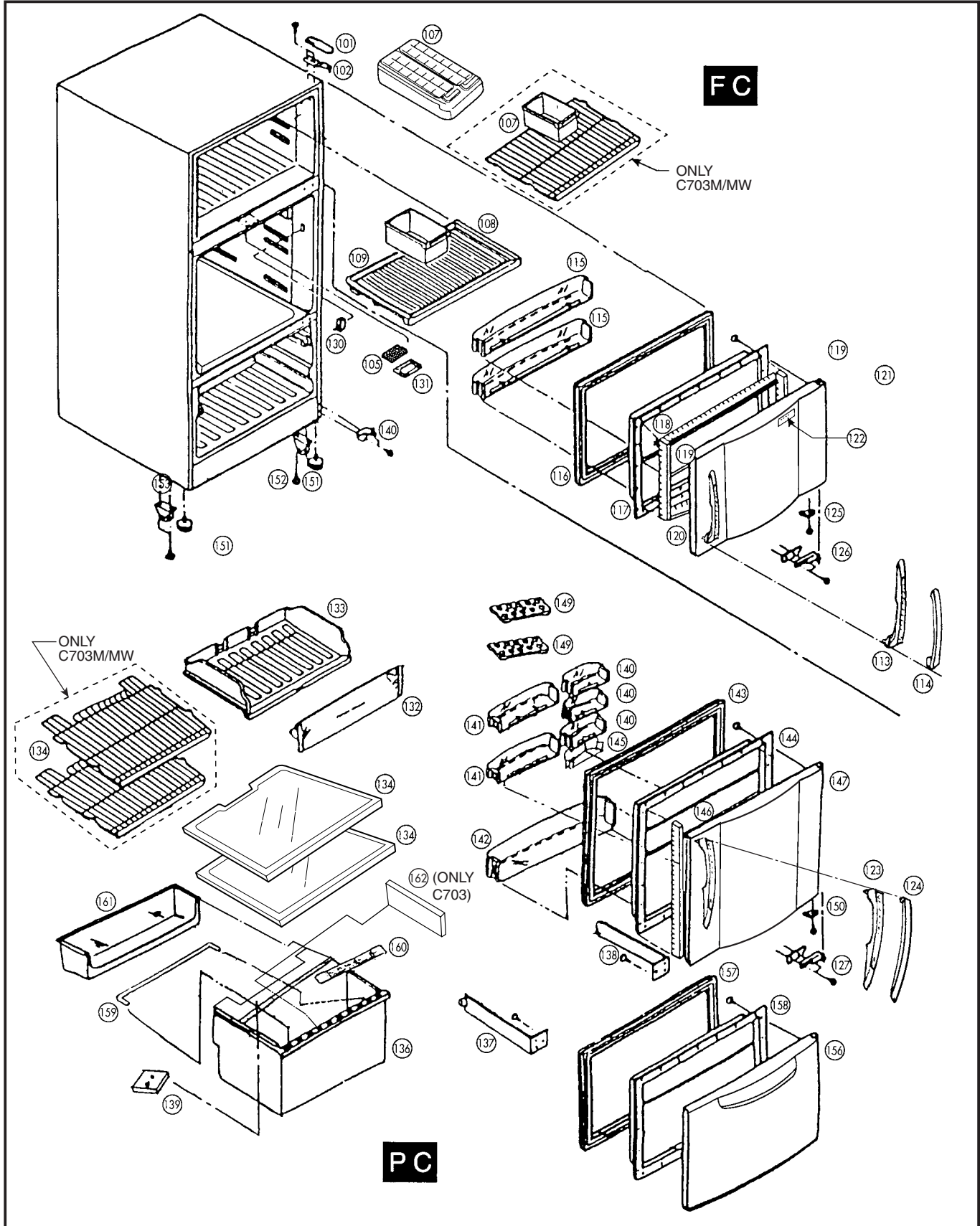
NR-B570M/MS/MW/D/D-*9, B53D2, B643M/MS/MW/D/D-*9, B703M/MS/MW



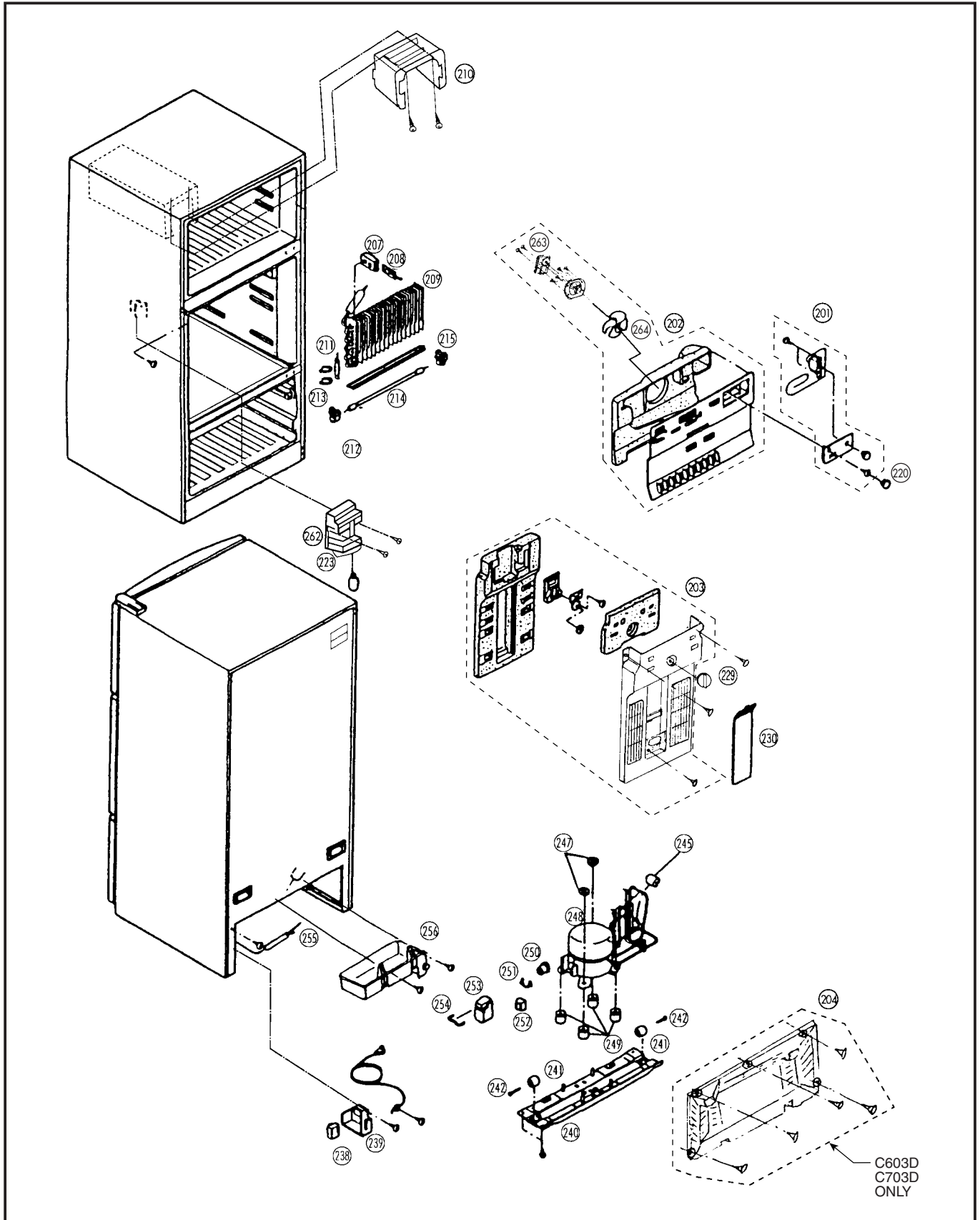
NR-B570M/MS/MW/D/D-*9, B53D2, B643M/MS/MW/D/D-*9, B703M/MS/MW



NR-C603D, C703M/MS/MW/D



NR-C603D, C703M/MS/MW/D



SECTION VI REPLACEMENT PARTS LIST

NR-B570M/MS/MW/D/D-*9

Ref. No	Original Parts No.	Service Parts No.	Parts Name & Description	B570MW	B570M	B570D	B570D-*9	B570MS	PCS/SET	Supplier
101	NRAE-107621-T	CNRAE-10762T	HINGE TOP COVER-T	—	○	○	○	○	1	TAMACO
	NRAE-116251	CNRAE-11625T	HINGE TOP COVER-W	○	○	○	○	○		
102	NRAE-116600	CNRAE-11660T	TOP HINGE	○	○	○	○	○	1	TAMACO
105	NRAG-100411	CNRAG-10041T	DEODORIZER	○	○	○	○	○	1	TAMACO
106	NRAH-158450-B	CNRAH-15845T	CRISPER COVER	○	○	○	○	○		TAMACO
107	NRBH-102410-W	CNRBH-10241T	ICE TRAY AS.	○	○	○	○	○	1	TAMACO
108	NRBH-107680-B	CNRBH-10768T	CRYSTAL SHELF FC AS.	—	—	○	○	—	1	TAMACO
	NRBH-104710-W	CNRBH-10471T	FC NET SHELF AS. (GOLD)	○	—	—	—	—		
	NRBH-107470	CNRBH-10747T	FC NET SHELF AS. (WHITE)	—	○	—	—	○		
109	NRAH-133080-B	CNRAH-13308T	ICE SERVER	○	○	○	○	○	1	TAMACO
113	NRAE-116640-E	CNRAE-11664T	HANDLE BASE FC	○	○	○	○	○	1	TAMACO
114	NRAE-116660-T	CNRAE-11666T	HANDLE COVER FC (S)	—	○	○	○	○	1	TAMACO
	NRAE-116660-G1	CNRAE-11666W	HANDLE COVER FC (G)	○	○	○	○	○		
115	NRAH-157930-B	CNRAH-15793T	FC DOOR SUPPORTER	○	○	—	—	○	2	TAMACO
	NRAH-162760	CNRAH-16276T	FC DOOR SUPPORTER (PRINT)	—	—	○	○	—		
116	NRAD-151200-1	CNRAD-15120T	FC DOOR GASKET	○	○	○	○	○	1	TAMACO
117	NRAD-178420-W	CNRAD-17842T	FC INNER DOOR	○	○	○	○	○	1	TAMACO
118	NRAD-180080	CNRAD-18008T	FC TOP INSULATION FOAMING	○	○	○	○	○	1	TAMACO
119	NRAD-179910	CNRAD-17991T	FC SIDE INSULATION FOAMING	○	○	○	○	○	2	TAMACO
120	NRAD-179920	CNRAD-17992T	FC BOT. INSULATION FOAMING	○	○	○	○	○	1	TAMACO
121	NRBD-182870-T	CNRBD-18287T	FC DOOR UNIT-TS	—	—	○	○	○	1	TAMACO
	NRBD-183160-T	CNRBD-18316T	FC DOOR UNIT-TS	—	○	—	—	—		
	NRBD-182870-W	CNRBD-18287W	FC DOOR UNIT-W	—	—	○	○	○		
	NRBD-183160-W	CNRBD-18316W	FC DOOR UNIT-W	○	○	—	—	—		
122	NRAD-242180-T	CNRAD-24218T	EMBLEM MARK PLATE(S)	—	○	—	—	—	1	TAMACO
	NRAD-242180-W	CNRAD-24218W	EMBLEM MARK PLATE(W)	—	○	—	—	—		
	NRAD-242220-T	CNRAD-24222T	EMBLEM MARK PLATE(S)	—	—	○	○	—		
	NRAD-242220-W	CNRAD-24222W	EMBLEM MARK PLATE(W)	—	—	○	○	—		
	NRAD-242290-T	CNRAD-24229T	EMBLEM MARK PLATE (S)	—	—	—	—	○		
	NRAD-242620-W	CNRAD-24262W	EMBLEM MARK PLATE(W)	○	—	—	—	—		
NRAD-242290-W	CNRAD-24229W	EMBLEM MARK PLATE(W)	—	—	—	—	○			
123	NRAE-116650-E	CNRAE-11665T	HANDLE BASE PC	○	○	○	○	○	1	TAMACO
124	NRAE-116670-T	CNRAE-11667T	HANDLE COVER PC(S)	—	○	○	○	○	1	TAMACO
	NRAE-116670-G1	CNRAE-11667G	HANDLE COVER PC(G)	○	○	○	○	○		
125	NRAE-107660	CNRAE-10766T	FC DOOR STOPPER	○	○	○	○	○	1	TAMACO
126	NRAE-116631	CNRAE-11663T	CENTER HINGE	○	○	○	○	○	1	TAMACO
130	NRAG-103930	CNRAG-10393T	PC DOOR SWITCH	○	○	○	○	○	1	TAMACO
131	NRAF-124060	CNRAF-12406T	DEODORIZER HOLDER	○	○	○	○	○	1	TAMACO
132	NRAH-143410-B	CNRAH-14341T	MEAT TRAY DOOR	○	○	—	—	○	1	TAMACO
	NRAH-162750	CNRAH-16275T	MEAT TRAY DOOR(PRINT)	—	—	○	○	—		
133	NRAH-144200-B	CNRAH-14420T	MEAT TRAY	○	○	○	○	○	1	TAMACO
134	NRAH-162920	CNRAH-16292T	GLASS SHELF PC	—	○	○	○	○	2	TAMACO
	NRBH-104800-W	CNRBH-10480T	PC NET SHELF AS.(GOLD)	○	—	—	—	—		
135	NRBH-107250-B	CNRBH-10725T	CRYSTAL SHELF PC AS.(GOLD)	○	—	—	—	—	1	TAMACO
	NRBH-105090-B	CNRBH-10509T	CRYSTAL SHELF PC AS.	—	○	○	○	○		
136	NRAH-120951-B	CNRAH-12095T	CRISPER	○	○	—	—	○	1	TAMACO
	NRAH-162780	CNRAH-16278T	CRISPER(PRINT)	—	—	○	○	—		
138	NRAH-158550	CNRAH-15855T	PIECE COVER CRISPER	○	○	○	○	○	1	TAMACO
139	NRBH-111160	CNRBH-11116T	CASSETTE HERB AS.	○	○	○	○	○	1	TAMACO
140	NRAH-120970-B	CNRAH-12097T	EGG SHELF	○	○	○	○	○	3	TAMACO
141	NRAH-120980-B	CNRAH-12098T	FREE RACK	○	○	○	○	○	2	TAMACO
142	NRAH-157960-B	CNRAH-15796T	PC BOTTLE SHELF	○	○	—	—	○	2	TAMACO
	NRAH-162770	CNRAH-16277T	PC BOTTLE SHELF(PRINT)	—	—	○	○	—		
143	NRAD-159610-1	CNRAD-15961T	PC DOOR GASKET	○	○	○	○	○	1	TAMACO
144	NRAD-178441-W	CNRAD-17844T	PC INNER DOOR	○	○	○	○	○	1	TAMACO
145	NRAH-157940-B	CNRAH-15794T	POCKET SUP. SHELF	○	○	○	○	○	1	TAMACO
146	NRAD-196940	CNRAD-19694T	PC SIDE INSULATION FOAMING	○	○	○	○	○	1	TAMACO
147	NRBD-182960-T	CNRBD-18296T	PC DOOR UNIT-TS	—	—	○	○	○	1	TAMACO
	NRBD-183180-T	CNRBD-18318T	PC DOOR UNIT-TS	—	○	—	—	—		
	NRBD-182960-W	CNRBD-18296W	PC DOOR UNIT-W	—	—	○	○	○		
	NRBD-183180-W	CNRBD-18318W	PC DOOR UNIT-W	○	○	—	—	—		
149	NRAD-137851-B	CNRAD-13785T	EGG TRAY 10	○	○	○	○	○	2	TAMACO
150	NRAE-116720	CNRAE-116720T	PC DOOR STOPPER	○	○	○	○	○	1	TAMACO
151	NRAC-148320	CNRAC-14832T	ADJUSTABLE BOLT	○	○	○	○	○	2	TAMACO
152	NRBC-188960	CNRBC-18896T	CASTER AS. R.	○	○	○	○	○	1	TAMACO
153	NRBC-169590	CNRBC-16959T	CASTER AS. L.	○	○	○	○	○	1	TAMACO
155	NRAH-145040-B	CNRAH-14504T	CRISPER DIVIDER	○	○	—	—	○	1	TAMACO

NR-B570M/MS/MW/D/D-*9

Ref. No	Original Parts No.	Service Parts No.	Parts Name & Description	B570MW	B570M	B570D	B570D-*9	B570MS	PCS/SET	Supplier
201	NRBF-118200-W	CNRBF-11820T	PIECE COVER COIL AS.	—	—	—	○	○	1	TAMACO
	NRBF-114020-W	CNRBF-11402T	PIECE COVER COIL AS.	○	○	○	—	—		
202	NRBF-118550	CNRBF-11855T	COVER COIL & FAN MOTOR AS.	○	○	—	—	—	1	TAMACO
	NRBF-118520	CNRBF-11852T	COVER COIL & FAN MOTOR AS.	—	—	○	—	—		
	NRBF-118530	CNRBF-11853T	COVER COIL & FAN MOTOR AS.	—	—	—	○	○		
203	NRBH-111280	CNRBH-11128T	CONTROL PANEL AS.	○	—	—	—	—	1	TAMACO
	NRBH-111220	CNRBH-11122T	CONTROL PANEL AS.	—	○	○	○	○		
204	NRAF-124730	CNRAF-12473T	COMP. COVER	—	—	○	○	—	1	TAMACO
207	NR06-348130	CNR06-34813T	BIMETAL HOLDER	○	○	○	○	○	1	TAMACO
208	NRBG-127390	CNRBG-12739T	BIMETAL THERMOSTAT AS.	○	○	○	○	○	1	TAMACO
209	NRAF-123781	CNRAF-12378T	EVAPORATOR	○	○	○	○	○	1	TAMACO
210	NRAH-133090-W	CNRAH-13309T	ICE TRAY RAIL	○	○	○	○	○	1	TAMACO
211	NR46-221192	CNR46-22119T	TEMP. FUSE AS.	○	○	○	○	○	1	TAMACO
212	NRAG-102362	CNRAG-10236T	HEATER HOLDER L.	○	○	○	○	○	1	TAMACO
213	NR06-347660	CNR06-34766T	HEATER COVER	○	○	○	○	○	1	TAMACO
214	NRAG-102974	CNRAG-10297T	DEFROST HEATER	○	○	○	○	○	1	TAMACO
215	NRAG-102372	CNRAG-10237T	HATER HOLDER R.	○	○	○	○	○	1	TAMACO
220	NRAH-132670-W	CNRAH-13267T	CONTROL PLATE BUTTON	○	○	○	○	○	1	TAMACO
223	NRAG-106440	CNRAG-10644T	LAMP PC	○	○	○	○	○	1	TAMACO
229	NRAH-162511-W	CNRAH-16251T	DIAL THERMO PC	—	○	○	○	○	1	TAMACO
	NRAH-162501-W	CNRAH-16250T	DIAL THERMO PC	○	—	—	—	—		
230	NRAH-158190-D	CNNAH-15819T	PC ROOM LAMP COVER	○	○	○	○	○	1	TAMACO
238	NRAG-106820	CNRAG-10682T	DEFROST TIMER	○	○	○	○	○	1	TAMACO
239	NRAF-111164	CNRAF-11116T	TIMER BOX. PLASTIC	○	○	○	○	○	1	TAMACO
240	NRBF-113701	CNRBF-11370T	COMPRESSOR BASE AS.	○	○	○	○	○	1	TAMACO
241	NR02-317622	CNR02-31762T	ROLLER	○	○	○	○	○	2	TAMACO
242	NR02-325700	CNR02-32570T	ROLLER PIN	○	○	○	○	○	2	TAMACO
245	NR05-286251	CNR05-28625T	DAMPING RUBBER	○	○	○	○	○	1	TAMACO
247	NR39-0301110	CNR39-03011	COMPRESSOR RETAINER	○	○	○	○	○	2	TAMACO
248	NR91-254401	CNR91-25440T	RECIPROCATING COMPRESSOR	○	○	—	—	—	1	TAMACO
	NR91-253101	CNR91-25310T	RECIPROCATING COMPRESSOR	—	—	—	○	○		
	NR91-175071	CNR91-17507T	RECIPROCATING COMPRESSOR	—	—	○	—	—		
249	NRAF-123280	CNRAF-12328T	GROMMET RUBBER	○	○	○	○	○	4	TAMACO
250	NR06-261741	CNR06-26174T	OVERLOAD PROTECTOR	○	○	—	—	—	1	TAMACO
	NR06-592910	CNR06-59291T	OVERLOAD PROTECTOR	—	—	—	○	○		
	NR06-266990	CNR06-26699T	OVERLOAD PROTECTOR	—	—	○	—	—		
251	NR01-246801	CNR01-24680T	PROTECTOR OLIP	○	○	○	—	—	1	TAMACO
252	NR06-592700	CNR06-59270T	STARTING RELAY	○	○	○	○	○	1	TAMACO
253	NR01-263673	CNR01-26367T	RELAY COVER	○	○	—	—	—	1	TAMACO
	NR01-899533	CNR01-89953T	RELAY COVER	—	—	○	○	○		
254	NR01-245233	CNR01-24523T	COVER CLAMP	○	○	○	○	○	1	TAMACO
255	NRAF-123991	CNRAF-12399T	DRYER	○	○	○	○	○	1	TAMACO
256	NRAF-112012	CNRAF-11201T	PAN WATER EVA.	○	○	○	○	○	1	TAMACO
261	NRAE-107251	CNRAE-10725T	KEY STOPPER	—	○	—	—	—	1	TAMACO
262	NRAG-106180	CNRAG-10618T	LAMP HOLDER	○	○	○	○	○	1	TAMACO
263	NRAG-115010	CNRAG-11501T	FAN MOTOR	○	○	○	—	—	1	TAMACO
	NRAG-106370	CNRAG-10637T	FAN MOTOR	—	—	—	○	○		
264	NRAG-106770	CNRAG-10667T	FAN BLADE	○	○	○	○	○	1	TAMACO

NR-C703M/MS/MW/D

Ref.No	Original Parts No.	Service Parts No.	Parts Name & Description	C703M	C703MW	C703MS	C703D	PCS/SET	Supplier
101	NRAE-107621-T	CNRAE-10762T	HINGE TOP COVER-T	○	—	○	○	1	TAMACO
	NRAE-116251	CNRAE-11625T	HINGE TOP COVER-W	○	○	○	○		
102	NRAE-116600	CNRAE-11660T	TOP HINGE	○	○	○	○	1	TAMACO
105	NRAG-100411	CNRAG-10041T	DEODORIZER	○	○	○	○	1	TAMACO
107	NRBH-102410-W	CNRBH-10241T	ICE TRAY	○	○	○	○	1	TAMACO
108	NRBH-107660-B	CNRBH-10766T	CRYSTAL SHELF FC AS.	—	—	—	○	1	TAMACO
	NRBH-104770-W	CNRBH-10477T	FC NET SHELF AS.(GOLD)	—	○	—	—		
	NRBH-107480	CNRBH-10748T	FC NET SHELF AS. (WHITE)	○	—	○	—		
109	NRAH-133080-B	CNRAH-13308T	ICE SERVER	○	○	○	○	1	TAMACO
113	NRAE-116640-E	CNRAE-11664T	HANDLE BASE FC	○	○	○	○	1	TAMACO
114	NRAE-116660-T	CNRAE-11666T	HANDLE COVER FC (A)	○	—	○	○	1	TAMACO
	NRAE-116660-G1	CNRAE-11666G	HANDLE COVER FC (G)	○	○	○	○		
115	NRAH-157920-B	CNRAH-15792T	FC DOOR SUPPORTER	○	○	○	—	2	TAMACO
	NRAH-162800	CNRAH-16280T	FC DOOR SUPPORTER(PRINT)	—	—	—	○		
116	NRAD-159640-1	CNRAD-15964T	FC DOOR GASKET	○	○	○	○	1	TAMACO
117	NRAD-178410-W	CNRAD-17841T	FC INNER DOOR	○	○	○	○	1	TAMACO
118	NRAD-180090	CNRAD-18009T	FC TOP INSULATION FOAMING	○	○	○	○	1	TAMACO
119	NRAD-179910	CNRAD-17991T	FC SIDE INSULATION FOAMING	○	○	○	○	2	TAMACO
120	NRAD-179930	CNRAD-17993T	FC BOT. INSULATION FOAMING	○	○	○	○	1	TAMACO
121	NRBD-182860-T	CNRBD-18286T	FC DOOR UNIT-TS	○	—	○	○	1	TAMACO
	NRBD-182860-W	CNRBD-18286W	FC DOOR UNIT-W	○	○	○	○		
122	NRAD-242210-T	CNRAD-24221T	EMBLEM MARK PLATE (S)	○	—	—	—	1	TAMACO
	NRAD-242210-W	CNRAD-24221W	EMBLEM MARK PLATE (W)	○	—	—	—		
	NRAD-242320-T	CNRAD-24232T	EMBLEM MARK PLATE (S)	—	—	○	—		
	NRAD-242320-W	CNRAD-24232W	EMBLEM MARK PLATE (W)	—	—	○	—		
	NRAD-242650-W	CNRAD-24265W	EMBLEM MARK PLATE (W)	—	○	—	—		
	NRAD-242260-T	CNRAD-24226T	EMBLEM MARK PLATE (S)	—	—	—	○		
NRAD-242260-W	CNRAD-24226W	EMBLEM MARK PLATE (W)	—	—	—	○			
123	NRAE-116650-E	CNRAE-11665T	HANDLE BASE PC	○	○	○	○	1	TAMACO
124	NRAE-116670-T	CNRAE-11667T	HANDLE COVER PC(S)	○	—	○	○	1	TAMACO
	NRAE-116670-G1	CNRAE-11667G	HANDLE COVER PC(G)	○	○	○	○		
125,150	NRAE-107660	CNRAE-10766T	FC & PC DOOR STOPPER	○	○	○	○	2	TAMACO
126	NRAE-116630	CNRAE-11663T	CENTER HINGE	○	○	○	○	1	TAMACO
127	NRAE-116441	CNRAE-11644T	CENTER HINGE P.V	○	○	○	○	1	TAMACO
130	NRAG-103930	CNRAG-10393T	PC DOOR SWITCH	○	○	○	○	1	TAMACO
131	NRAF-124060	CNRAF-12406T	DEODORIZER HOLDER	○	○	○	○	1	TAMACO
132	NRAH-128322-B	CNRAH-12832T	MEAT TRAY DOOR	○	○	○	—	1	TAMACO
	NRAH-162790	CNRAH-16279T	MEAT TRAY DOOR(PRINT)	—	—	—	○		
133	NRAH-144210-B	CNRAH-14421T	MEAT TRAY	○	○	○	○	1	TAMACO
134	NRAH-162910	CNRAH-16291T	GLASS SHELF PC	○	—	○	○	2	TAMACO
	NRBH-104810-W	CNRBH-10481T	PC NET SHELF AS. (GOLD)	—	○	—	—		
136	NRAH-158012-W	CNRAH-15801T	CRISPER	○	○	○	○	1	TAMACO
137	NRBD-172502	CNRBD-17250T	FRAME SUP. AS. L.	○	○	○	○	1	TAMACO
138	NRBD-172492	CNRBD-17249T	FRAME SUP. AS. R.	○	○	○	○	1	TAMACO
139	NRBH-111160	CNRBH-11116T	CASSETTE HERB AS.	○	○	○	○	1	TAMACO
140	NRAH-120970-B	CNRAH-12097T	EGG SHELF	○	○	○	○	3	TAMACO
141	NRAH-128210-B	CNRAH-12821T	FREE RACK	○	○	○	○	2	TAMACO
142	NRAH-157950-B	CNRAH-15795T	BOTTOM BOTTLE SHELF	○	○	○	—	1	TAMACO
	NRAH-162810	CNRAH-16281T	BOTTOM BOTTLE SHELF(PRINT)	—	—	—	○		
143	NRAD-179360-1	CNRAD-17936T	PC DOOR GASKET	○	○	○	○	1	TAMACO
144	NRAD-178430-W	CNRAD-17843T	PC INNER DOOR	○	○	○	○	1	TAMACO
145	NRAH-157940-B	CNRAH-15794T	POCKET SUP. SHELF	○	○	○	○	1	TAMACO
146	NRAD-197680	CNRAD-19768T	PC SIDE INSULATION FOAMING	○	○	○	○	1	TAMACO
147	NRBD-182920-T	CNRBD-18292T	PC DOOR UNIT-TS	○	○	○	○	1	TAMACO
	NRBD-182920-W	CNRBD-18292W	PC DOOR UNIT-W	○	○	○	○		
149	NRAD-137851-B	CNRAD-13785T	EGG TRAY 10	○	○	○	○	2	TAMACO
151	NRAC-148310	CNRAC-14831T	ADJUSTABLE BOLT	○	○	○	○	2	TAMACO
152	NRBC-169600	CNRBC-16960T	CASTER AS. R.	○	○	○	○	1	TAMACO
153	NRBC-170090	CNRBC-17009T	CASTER AS. L.	○	○	○	○	1	TAMACO
156	NRBD-183020-T	CNRBD-18302T	VC DOOR UNIT-TS	○	—	○	○	1	TAMACO
	NRBD-183020-W	CNRBD-18302W	VC DOOR UNIT-W	○	○	○	○		
157	NRAD-159690-1	CNRAD-15969T	VC DOOR GASKET	○	○	○	○	1	TAMACO
158	NRAD-178500-W	CNRAD-17850T	VC INNER DOOR	○	○	○	○	1	TAMACO
159	NRAH-158110-W	CNRAH-15811T	CRISPER BOTTOM SUP. WIRE	○	○	○	○	1	TAMACO
160	NRAH-158081	CNRAH-15808T	COVER CRISPER	○	○	○	○	1	TAMACO
161	NRAH-127850-B	CNRAH-12785T	FRUIT CASE	○	○	○	○	1	TAMACO
162	NRAH-101401	CNRAH-10140T	CRISPER BOTTLE SUP.	○	○	○	○	1	TAMACO

NR-C703M, C703D

Ref.No	Original Parts No.	Service Parts No.	Parts Name & Description	C703M	C703D	PCS/SET	Supplier
201	NRBF-114020-W	CNRBF-11402T	PIECE COVER COIL AS.	○	○	1	TAMACO
202	NRBF-118560	CNRBF-11856T	COVER COIL & FAN MOTOR AS.	○	○	1	TAMACO
203	NRBH-11129T	CNRAG-11129T	CONTROL PANEL AS.	○	○	1	TAMACO
204	NRAG-114860	CNRAG-11486T	BACK BRACKET FAN MOTOR	○	○	1	TAMACO
205	NRAG-106770	CNRAG-10677T	FAN BLADE	○	○	1	TAMACO
207	NR06-348130	CNR06-34813T	BIMETAL HOLDER	○	○	1	TAMACO
208	NRBG-107590	CNRBG-10759T	BIMETAL THERMOSTAT AS.	○	○	1	TAMACO
209	NRAF-123770	CNRAG-12378T	EVAPORATOR	○	○	1	TAMACO
211	NR46-221192	CNR46-22119T	TEMP. FUSE AS.	○	○	1	TAMACO
212	NRAG-102362	CNRAG-10236T	HEATER HOLDER L.	○	○	1	TAMACO
213	NR06-347660	CNR06-34766T	HEATER COVER	○	○	1	TAMACO
214	NRAG-102972	CNRAG-10297T	DEFROST HEATER	○	○	1	TAMACO
215	NRAG-102372	CNRAG-10237T	HATER HOLDER R.	○	○	1	TAMACO
216	NRAF-123700-W	CNRAG-12370T	EVAPORATOR COVER	○	○	1	TAMACO
	NRAC-135040	CNRAC-13504T	EVAPORATOR COVER INSULATION	○	○		
217	NRAG-114810	CNRAG-11481T	MECHANICAL THERMOSTAT	○	○	1	TAMACO
218	NRAG-115040-W	CNRAG-11504T	THERMO. DIAL	○	○	1	TAMACO
219	NRAF-123000-W	CNRAG-12300T	THERMO. COVER	○	○	1	TAMACO
220	NRAH-132670-W	CNRAG-13267T	CONTROL PLATE BUTTON	○	○	1	TAMACO
223	NRAG-106440	CNRAG-10644T	LAMP PC	○	○	1	TAMACO
224	NRAC-135030	CNRAC-13503T	BACK INSULATION CONTROL PANEL	○	○	1	TAMACO
225	NRAG-104651	CNRAG-10465T	DAMPER THERMOSTAT(SD-8081-1)	○	○	1	TAMACO
227	NRAC-135020	CNRAC-13502T	FRONT INSULATION	○	○	1	TAMACO
228	NRAH-158590-W	CNRAG-15859T	CONTROL PLATE PLASTIC	○	○	1	TAMACO
229	NRAH-128641-W	CNRAG-12864T	PC THERMO. DIAL	○	○	1	TAMACO
230	NRAH-158190-D	CNRAG-15819T	PC ROOM LAMPER COVER	○	○	1	TAMACO
238	NRAG-106820	CNRAG-10682T	DEFROST TIMER	○	○	1	TAMACO
239	NRAF-111164	CNRAG-11116T	TIMER BOX, PLASTIC	—	○	1	TAMACO
	NRAF-111863	CNRAG-11186T	TIMER BOX, PLASTIC	○	—		
240	NRBF-113690	CNRBF-11369T	COMPRESSOR BASE AS.	○	○	1	TAMACO
241	NR02-317622	CNR02-31762T	ROLLER	○	○	1	TAMACO
242	NR02-325700	CNR02-32570T	ROLLER PIN	○	○	1	TAMACO
245	NR05-286251	CNR05-28625T	DAMPING RUBBER	○	○	2	TAMACO
247	NR39-0301110	CNR39-030111	COMPRESSOR RETAINER	○	○	2	TAMACO
248	NR91-254401	CNR91-25440T	RECIPROCATING COMPRESSOR	○	—	1	TAMACO
	NR91-175071	CNR91-17507T	RECIPROCATING COMPRESSOR	—	○		
249	NRAF-123280	CNRAG-12328T	GROMMET RUBBER	○	○	4	TAMACO
250	NR06-261741	CNR06-26174T	OVERLOAD PROTECTOR	○	—	1	TAMACO
	NR06-266990	CNR06-26699T	OVERLOAD PROTECTOR	—	○		
251	NR01-246801	CNR01-24680T	PROTECTIR CLIP	○	○	1	TAMACO
252	NR06-592700	CNR06-59270T	STARTING RELAY	○	○	1	TAMACO
253	NR01-263673	CNR01-26367T	RELAY COVER	○	—	1	TAMACO
	NR01-899533	CNR01-89953T	RELAY COVER	—	○		
254	NR01-245233	CNR01-24523T	COVER CLAMP	○	○	1	TAMACO
255	NRAF-123991	CNRAG-12399T	DRYER	○	○	1	TAMACO
256	NRAF-112012	CNRAG-11201T	PAN WATER EVA.	○	○	1	TAMACO
262	NRAG-106180	CNRAG-10618T	LAMP HOLDER	○	○	1	TAMACO

NR-C603D

Ref.No	Original Parts No.	Service Parts No.	Parts Name & Description	C603D	PCS/SET	Supplier
101	NRAE-107621-T	CNRAE-10762T	HINGE TOP COVER-T	○	1	TAMACO
	NRAE-116251	CNRAE-11625T	HINGE TOP COVER-W	○		
102	NRAE-116600	CNRAE-11660T	TOP HINGE	○	1	TAMACO
105	NRAG-100411	CNRAG-10041T	DEODORIZER	○	1	TAMACO
107	NRBH-102410-W	CNRAH-10241T	ICE TRAY AS.	○	1	TAMACO
108	NRBH-107680-B	CNRBH-10768T	CRYSTAL SHELF FC AS.	○	1	TAMACO
109	NRAH-133080-B	CNRAH-13308T	ICE SERVER	○	1	TAMACO
113	NRAE-116640-E	CNRAE-11664T	HANDLE BASE FC	○	1	TAMACO
114	NRAE-116660-T	CNRAE-11666T	HANDLE COVER FC(S)	○	1	TAMACO
	NRAE-116660-G1	CNRAE-11666G	HANDLE COVER FC(G)	○		
115	NRAH-162760	CNRAH-16276T	FC DOOR SUPPORTER(PRINT)	○	2	TAMACO
116	NRAD-151200-1	CNRAD-15120T	FC DOOR GASKET	○	1	TAMACO
117	NRAD-178420-W	CNRAD-17842T	FC INNER DOOR	○	1	TAMACO
118	NRAD-180080	CNRAD-18008T	FC TOP INSULATION FOAMING	○	1	TAMACO
119	NRAD-179910	CNRAD-17991T	FC SIDE INSULATION FOAMING	○	2	TAMACO
120	NRAD-179920	CNRAD-17992T	FC BOT. INSULATION FOAMING	○	1	TAMACO
121	NRBD-182870-T	CNRBD-18287T	FC DOOR UNIT-TS	○	1	TAMACO
	NRBD-182870-W	CNRBD-18287W	FC DOOR UNIT-W	○		
122	NRAD-242250-T	CNRAD-24225T	EMBLEM MARK PLATE(S)	○	1	TAMACO
	NRAD-242250-W	CNRAD-24225W	EMBLEM MARK PLATE(W)	○		
123	NRAE-116650-E	CNRAE-11665T	HANDLE BASE PC	○	1	TAMACO
124	NRAE-116670-T	CNRAE11667T	HANDLE COVER PC(S)	○	1	TAMACO
	NRAE-116670-G1	CNRAE-11667G	HANDLE COVER PC(G)	○		
125,150	NRAE-107660	CNRAE-10766T	FC & PC DOOR STOPPER	○	2	TAMACO
126	NRAE-116631	CNRAE-11663T	CENTER HINGE	○	1	TAMACO
127	NRAE-116441	CNRAE-11644T	CENTER HINGE P.V	○	1	TAMACO
130	NRAG-103930	CNRAG-10393T	PC DOOR SWITCH	○	1	TAMACO
131	NRAF-124060	CNRAF-12406T	DEODORIZER HOLDER	○	1	TAMACO
132	NRAH-162750	CNRAH-16275T	MEAT TRAY DOOR(PRINT)	○	1	TAMACO
133	NRAH-143410-B	CNRAH-14341T	MEAT TRAY	○	1	TAMACO
134	NRAH-162920	CNRAH-16292T	GLASS SHELF PC	○	2	TAMACO
136	NRAH-158030-W	CNRAH-15803T	CRISPER	○	1	TAMACO
137	NRBD-172502	CNRBD-17250T	FRAME SUP. AS. L.	○	1	TAMACO
138	NRBD-172492	CNRBD-17249T	FRAME SUP. AS. R.	○	1	TAMACO
139	NRBH-111160	CNRBH-11116T	CASSETTE HERB AS.	○	1	TAMACO
140	NRAH-120970-B	CNRAH-12097T	EGG SHELF	○	3	TAMACO
141	NRAH-120980-B	CNRAH-12098T	FREE RACK	○	2	TAMACO
142	NRAH-162770	CNRAH-16277T	PC BOTTLE SHELF(PRINT)	○	1	TAMACO
143	NRAD-179370-1	CNRAD-17937T	PC DOOR GASKET	○	1	TAMACO
144	NRAD-178470-W	CNRAD-17847T	PC INNER DOOR	○	1	TAMACO
145	NRAH-157940-B	CNRAH-15794T	POCKET SUP. SHELF	○	1	TAMACO
146	NRAD-197680	CNRAD-19768T	PC SIDE INSULATION FOAMING	○	1	TAMACO
147	NRBD-183110-T	CNRBD-18311T	PC DOOR UNIT-TS	○	1	TAMACO
	NRBD-183110-W	CNRBD-18311W	PC DOOR UNIT-W	○		
149	NRAD-137851-B	CNRAD-13785T	EGG TRAY 10	○	2	TAMACO
151	NRAC-148310	CNRAC-14831T	ADJUSTABLE BOLT	○	2	TAMACO
152	NRBC-169600	CNRBC-16960T	CASTER AS. R.	○	1	TAMACO
153	NRBC-170090	CNRBC-17009T	CASTER AS. L.	○	1	TAMACO
156	NRBD-183030-T	CNRBD-18303T	VC DOOR UNIT-TS	○	1	TAMACO
	NRBD-183030-W	CNRBD-18303W	VC DOOR UNIT-W	○		
157	NRAD-159630-1	CNRAD-15963T	VC DOOR GASKET	○	1	TAMACO
158	NRAD-178510-W	CNRAD-17851T	VC INNER DOOR	○	1	TAMACO
159	NRAH-158120-W	CNRAH-15812T	CRISPER BOTTOM SUP. WIRE	○	1	TAMACO
160	NRAH-158081	CNRAH-15808T	COVER CRISPER	○	1	TAMACO
161	NRAH-127790-B	CNRAH-12779T	FRUIT CASE	○	1	TAMACO

NR-B643M/MS/MW/D/D-*9,B53D2

Ref. No	Original Parts No.	Service Parts No.	Parts Name & Description	B643M	B643MS	B643D	B643D-*9	B643MW	B53D2	PCS/SET	Supplier
101	NRAE-107621-T	CNRAE-10762T	HINGE TOP COVER-T	○	○	○	○	○	○	1	TAMACO
	NRAE-116251	CNRAE-11625T	HINGE TOP COVER-W	○	○	○	○	○	—		
102	NRAE-116600	CNRAE-11660T	TOP HINGE	○	○	○	○	○	○	1	TAMACO
105	NRAG-100411	CNRAG-10041T	DEODORIZER	○	○	○	○	○	○	1	TAMACO
106	NRAH-158440-B	CNRAH-15844T	CRISPER COVER	○	○	○	○	○	○	1	TAMACO
107	NRBH-102410-W	CNRBH-10241T	ICE TRAY AS.	○	○	○	○	○	○	1	TAMACO
108	NRBH-107660-B	CNRBH-10766T	CRYSTAL SHELF FC AS.	—	—	—	—	—	○	1	TAMACO
	NRBH-104770-W	CNRBH-10477T	FC NET SHELF AS. (GOLD)	—	—	—	—	—	—		
	NRBH-107480	CNRBH-10748T	FC NET SHELF AS. (WHITE)	○	○	—	—	—	—		
109	NRAH-133080-B	CNRAH-13308T	ICE SERVER	○	○	○	○	○	○	1	TAMACO
113	NRAE-116640-E	CNRAE-11664T	HANDLE BASE FC	○	○	○	○	○	○	1	TAMACO
114	NRAE-116660-T	CNRAE-11666T	HANDLE COVER FC (S)	○	○	○	○	—	○	1	TAMACO
	NRAE-116660-G	CNRAE-11666G	HANDLE COVER FC (G)	○	○	○	○	—	—		
115	NRAH-157920-B	CNRAH-15792T	FC DOOR SUPPORTER	○	○	—	—	○	—	2	TAMACO
	NRAH-162800	CNRAH-16280T	FC DOOR SUPPORTER (PRINT)	—	—	○	○	—	○		
116	NRAD-159640-1	CNRAD-15964T	FC DOOR GASKET	○	○	○	○	○	○	1	TAMACO
117	NRAD-178421-W	CNRAD-17841T	FC INNER DOOR	○	○	○	○	○	○	1	TAMACO
118	NRAD-180090	CNRAD-18009T	FC TOP INSULATION FOAMING	○	○	○	○	○	○	1	TAMACO
119	NRAD-179910	CNRAD-17991T	FC SIDE INSULATION FOAMING	○	○	○	○	○	○	2	TAMACO
120	NRAD-179930	CNRAD-17993T	FC BOT. INSULATION FOAMING	○	○	○	○	○	○	1	TAMACO
121	NRBD-182860-T	CNRBD-18286T	FC DOOR UNIT-TS	—	○	○	○	—	○	1	TAMACO
	NRBD-183170-T	CNRBD-18317T	FC DOOR UNIT-TS	○	—	—	—	—	—		
	NRBD-182860-W	CNRBD-18286W	FC DOOR UNIT-W	—	○	○	○	—	—		
	NRBD-183170-W	CNRBD-18317W	FC DOOR UNIT-W	○	—	—	—	○	—		
122	NRAD-242190-T	CNRAD-24219T	EMBLEM MARK PLATE(S)	○	—	—	—	—	—	1	TAMACO
	NRAD-242190-W	CNRAD-24219W	EMBLEM MARK PLATE(W)	○	—	—	—	—	—		
	NRAD-242230-T	CNRAD-24223T	EMBLEM MARK PLATE(S)	—	—	○	○	—	—		
	NRAD-242230-W	CNRAD-24223W	EMBLEM MARK PLATE(W)	—	—	○	○	—	—		
	NRAD-242240-T	CNRAD-24224W	EMBLEM MARK PLATE (S)	—	—	—	—	—	○		
	NRAD-242630W	CNRAD-24263W	EMBLEM MARK PLATE(W)	—	—	—	—	○	—		
	NRAD-242300-T	CNRAD-24230W	EMBLEM MARK PLATE(S)	—	○	—	—	—	—		
NRAD-242300-W	CNRAD-24230W	EMBLEM MARK PLATE(W)	—	○	—	—	—	—			
123	NRAE-116650-E	CNRAE-11665T	HANDLE BASE PC	○	○	○	○	○	○	1	TAMACO
124	NRAE-116670-T	CNRAE-11667T	HANDLE COVER PC(S)	○	○	○	○	—	○	1	TAMACO
	NRAE-116670-G1	CNRAE-11667G	HANDLE COVER PC(G)	○	○	○	○	○	—		
125	NRAE-107660	CNRAE-10766T	FC DOOR STOPPER	○	○	○	○	○	○	1	TAMACO
126	NRAE-116631	CNRAE-11663T	CENTER HINGE	○	○	○	○	○	○	1	TAMACO
130	NRAG-103930	CNRAG-10393T	PC DOOR SWITCH	○	○	○	○	○	○	1	TAMACO
131	NRAF-124060	CNRAF-12406T	DEODORIZER HOLDER	○	○	○	○	○	○	1	TAMACO
132	NRAH-128322-B	CNRAH-12832T	MEAT TRAY DOOR	○	○	—	—	○	—	1	TAMACO
	NRAH-162790	CNRAH-16279T	MEAT TRAY DOOR(PRINT)	—	—	○	○	—	○		
133	NRAH-144200-B	CNRAH-14420T	MEAT TRAY	○	○	○	○	○	○	1	TAMACO
134	NRAH-162920	CNRAH-16292T	GLASS SHELF PC	○	○	○	○	—	○	2	TAMACO
	NRBH-104800-W	CNRBH-10480T	PC NET SHELF AS.(GOLD)	—	—	—	—	○	—		
135	NRBH-107260-B	CNRBH-10726T	CRYSTAL SHELF PC AS.(GOLD)	—	—	—	—	○	—	1	TAMACO
	NRBH-107670-B	CNRBH-10767T	CRYSTAL SHELF PC AS.	○	○	○	○	—	○		
136	NRAH-128272-B	CNRAH-12827T	CRISPER	○	○	—	—	○	—	1	TAMACO
	NRAH-162820	CNRAH-16282T	CRISPER(PRINT)	—	—	○	○	—	—		
138	NRAH-158550	CNRAH-15855T	PIECE COVER CRISPER	○	○	○	○	○	○	1	TAMACO
139	NRBH-111160	CNRBH-11116T	CASSETTE HERB AS.	○	○	○	○	○	○	1	TAMACO
140	NRAH-120970-B	CNRAH-12097T	EGG SHELF	○	○	○	○	○	○	3	TAMACO
141	NRAH-128210-B	CNRAH-12821T	FREE RACK	○	○	○	○	○	○	2	TAMACO
142	NRAH-157950-B	CNRAH-15795T	PC BOTTLE SHELF	○	○	—	—	○	—	2	TAMACO
	NRAH-162810	CNRAH-16281T	PC BOTTLE SHELF(PRINT)	—	—	○	○	—	○		
143	NRAD-159650-1	CNRAD-15951T	PC DOOR GASKET	○	○	○	○	○	○	1	TAMACO
144	NRAD-178483-W	CNRAD-17848T	PC INNER DOOR	○	○	○	○	○	○	1	TAMACO
145	NRAH-157940-B	CNRAH-15794T	POCKET SUP. SHELF	○	○	○	○	○	○	1	TAMACO
146	NRAD-196940	CNRAD-19694T	PC SIDE INSULATION FOAMING	○	○	○	○	○	○	1	TAMACO
147	NRBD-182950-T	CNRBD-18295T	PC DOOR UNIT-TS	—	○	○	○	—	○	1	TAMACO
	NRBD-183190-T	CNRBD-18319T	PC DOOR UNIT-TS	○	—	—	—	—	—		
	NRBD-182950-W	CNRBD-18295W	PC DOOR UNIT-W	—	○	○	○	—	—		
	NRBD-183190-W	CNRBD-18319W	PC DOOR UNIT-W	○	—	—	—	○	—		
149	NRAD-137851-B	CNRAD-13785T	EGG TRAY 10	○	○	○	○	○	○	2	TAMACO
150	NRAE-116720	CNRAE-116720T	PC DOOR STOPPER	○	○	○	○	○	○	1	TAMACO
151	NRAC-148320	CNRAC-14832T	ADJUSTABLE BOLT	○	○	○	○	○	○	2	TAMACO
152	NRBC-188960	CNRBC-18896T	CASTER AS. R.	○	○	○	○	○	○	1	TAMACO
153	NRBC-169590	CNRBC-16959T	CASTER AS. L.	○	○	○	○	○	○	1	TAMACO
155	NRAH-145040-B	CNRAH-14504T	CRISPER DIVIDER	○	○	—	—	○	—	1	TAMACO
156	NRAD-151670	CNRAD-15167T	BOTTLE STOPPER	—	—	—	—	—	○	2	TAMACO

NR-B643M/MS/MW/D/D-*9,B53D2

Ref. No	Original Parts No.	Service Parts No.	Parts Name & Description	B643M	B643MS	B643D	B643D-S7	B643D-*9	B643MW	B53D2	PCS/SET	Supplier
201	NRBF-114020-W	CNRBF-11402T	PIECE COVER COIL AS.	○	○	○	○	○	○	○	1	TAMACO
202	NRBF-118540	CNRBF-11854T	COVER COIL & FAN MOTOR AS.	—	○	—	—	○	—	—	1	TAMACO
	NRBF-118370	CNRBF-11837T	COVER COIL & FAN MOTOR AS.	—	—	○	○	—	—	○		
	NRBF-118560	CNRBF-11856T	COVER COIL & FAN MOTOR AS.	○	—	—	—	—	○	—		
203	NRBH-111260	CNRBH-11126T	CONTROL PANEL AS.	—	—	—	—	—	○	—	1	TAMACO
	NRBH-111210	CNRBH-11121T	CONTROL PANEL AS.	○	○	○	○	○	—	—		
	NRBH-111051	CNRBH-11105T	CONTROL PANEL AS.	—	—	—	—	—	—	○		
204	NRAF-112126	CNRAF-11212T	COMP. COVER	—	—	○	○	○	—	○	1	TAMACO
207	NR06-348130	CNR06-34813T	BIMETAL HOLDER	○	○	○	○	○	○	○	1	TAMACO
208	NRBG-127390	CNRBG-12739T	BIMETAL THERMOSTAT AS.	○	○	○	○	○	○	○	1	TAMACO
209	NRAF-123771	CNRAF-12377T	EVAPORATOR	○	○	○	○	○	○	○	1	TAMACO
210	NRAH-133090-W	CNRAH-13309T	ICE TRAY RAIL	○	○	○	○	○	○	○	1	TAMACO
211	NR46-221192	CNR46-22119T	TEMP. FUSE AS.	○	○	○	○	○	○	○	1	TAMACO
212	NRAG-102362	CNRAG-10236T	HEATER HOLDER L.	○	○	○	○	○	○	○	1	TAMACO
213	NR06-347660	CNR06-34766T	HEATER COVER	○	○	○	○	○	○	○	1	TAMACO
214	NRAG-102974	CNRAG-10297T	DEFROST HEATER	○	○	○	○	○	○	○	1	TAMACO
215	NRAG-102372	CNRAG-10237T	HATER HOLDER R.	○	○	○	○	○	○	○	1	TAMACO
220	NRAH-132670-W	CNRAH-13267T	CONTROL PLATE BUTTON	○	○	○	○	○	○	○	1	TAMACO
223	NRAG-106440	CNRAG-10644T	LAMP PC	○	○	○	○	○	○	○	1	TAMACO
229	NRAH-162521-W	CNRAH-16252T	PC THERMO. DIAL	○	○	○	○	—	—	—	1	TAMACO
	NRAH-101402-W	CNRAH-10140T	PC THERMO. DIAL	—	—	—	—	○	—	—		
	NR07-884163-W	CNR07-88416T	PC THERMO. DIAL	—	—	—	—	—	○	—		
	NRAH-159241-W	CNRAH-15924T	PC THERMO. DIAL	—	—	—	—	—	—	○		
230	NRAH-158190-D	CNNAH-15819T	PC ROOM LAMP COVER	○	○	○	—	○	○	○	1	TAMACO
	NRAH-179100	CNRAH-17910T	PC ROOM LAMP COVER	—	—	—	○	—	—	—		
238	NRAG-106820	CNRAG-10682T	DEFROST TIMER	○	○	○	○	○	○	○	1	TAMACO
239	NRAF-111164	CNRAF-11116T	TIMER BOX. PLASTIC	○	○	○	○	○	○	○	1	TAMACO
240	NRBF-113791	CNRBF-11379T	COMPRESSOR BASE AS.	○	○	○	○	○	○	○	1	TAMACO
241	NR02-317622	CNR02-31762T	ROLLER	○	○	○	○	○	○	○	2	TAMACO
242	NR02-325700	CNR02-32570T	ROLLER PIN	○	○	○	○	○	○	○	2	TAMACO
245	NR05-286251	CNR05-28625T	DAMPING RUBBER	○	○	○	○	○	○	○	1	TAMACO
247	NR39-0301110	CNR39-030111	COMPRESSOR RETAINER	○	○	○	○	○	○	○	2	TAMACO
248	NR91-254401	CNR91-25440T	RECIPROCATING COMPRESSOR	○	—	—	—	—	○	—	1	TAMACO
	NR91-253101	CNR91-25310T	RECIPROCATING COMPRESSOR	—	○	—	—	○	—	—		
	NR91-175071	CNR91-17507T	RECIPROCATING COMPRESSOR	—	—	○	○	—	—	○		
249	NRAF-123280	CNRAF-12328T	GROMMET RUBBER	○	○	○	○	○	○	○	4	TAMACO
250	NR06-261741	CNR06-26174T	OVERLOAD PROTECTOR	○	—	—	—	—	○	—	1	TAMACO
	NR06-592910	CNR06-59291T	OVERLOAD PROTECTOR	—	○	—	—	○	—	—		
	NR06-266990	CNR06-26699T	OVERLOAD PROTECTOR	—	—	○	○	—	—	○		
251	NR01-246801	CNR01-24680T	PROTECTOR CLIP	○	—	○	○	—	○	○	1	TAMACO
252	NR06-592700	CNR06-59270T	STARTING RELAY	○	○	○	○	○	○	○	1	TAMACO
253	NR01-263673	CNR01-26367T	RELAY COVER	○	—	—	—	—	○	—	1	TAMACO
	NR01-899533	CNR01-89953T	RELAY COVER	—	○	○	○	○	—	○		
254	NR01-245233	CNR01-24523T	COVER CLAMP	○	○	○	○	○	○	○	1	TAMACO
255	NRAF-123991	CNRAF-12399T	DRYER	○	○	○	○	○	○	○	1	TAMACO
256	NRAF-112012	CNRAF-11201T	PAN WATER EVA.	○	○	○	○	○	○	○	1	TAMACO
261	NRAE-107251	CNRAE-10725T	KEY STOPPER	○	—	—	—	—	○	—	1	TAMACO
262	NRAG-106180	CNRAG-10618T	LAMP HOLDER	○	○	○	○	○	○	○	1	TAMACO
263	NRAG-115010	CNRAG-11501T	FAN MOTOR	○	—	○	○	—	○	○	1	TAMACO
	NRAG-106370	CNRAG-10637T	FAN MOTOR	—	○	—	—	○	—	—		
264	NRAG-106770	CNRAG-10677T	FAN BLADE	○	○	○	○	○	○	○	1	TAMACO

