

ORDER NO. TRD0805001CE

Service Manual

Refrigerator

Model No. **NR-B591, NR-B651**

Stainless / GRAND SILVER / WHITE / BEIGE

THAILAND

SINGAPORE

MALAYSIA

UAE

KWAUIT

RUSSIA



© 2009 Panasonic Taiwan CO., Ltd. All rights reserved. Unauthorized copying and distribution is a violation of law.

 **WARNING**

This service information is designed for experienced repair technicians only and is not designed for use by the general public. It does not contain warnings or cautions to advise non-technical individuals of potential dangers in attempting to service a product. Products powered by electricity should be serviced or repaired only by experienced professional technicians. Any attempt to service or repair the product or products dealt with in this service information by anyone else could result in serious injury or death.

Panasonic®

1. Specifications

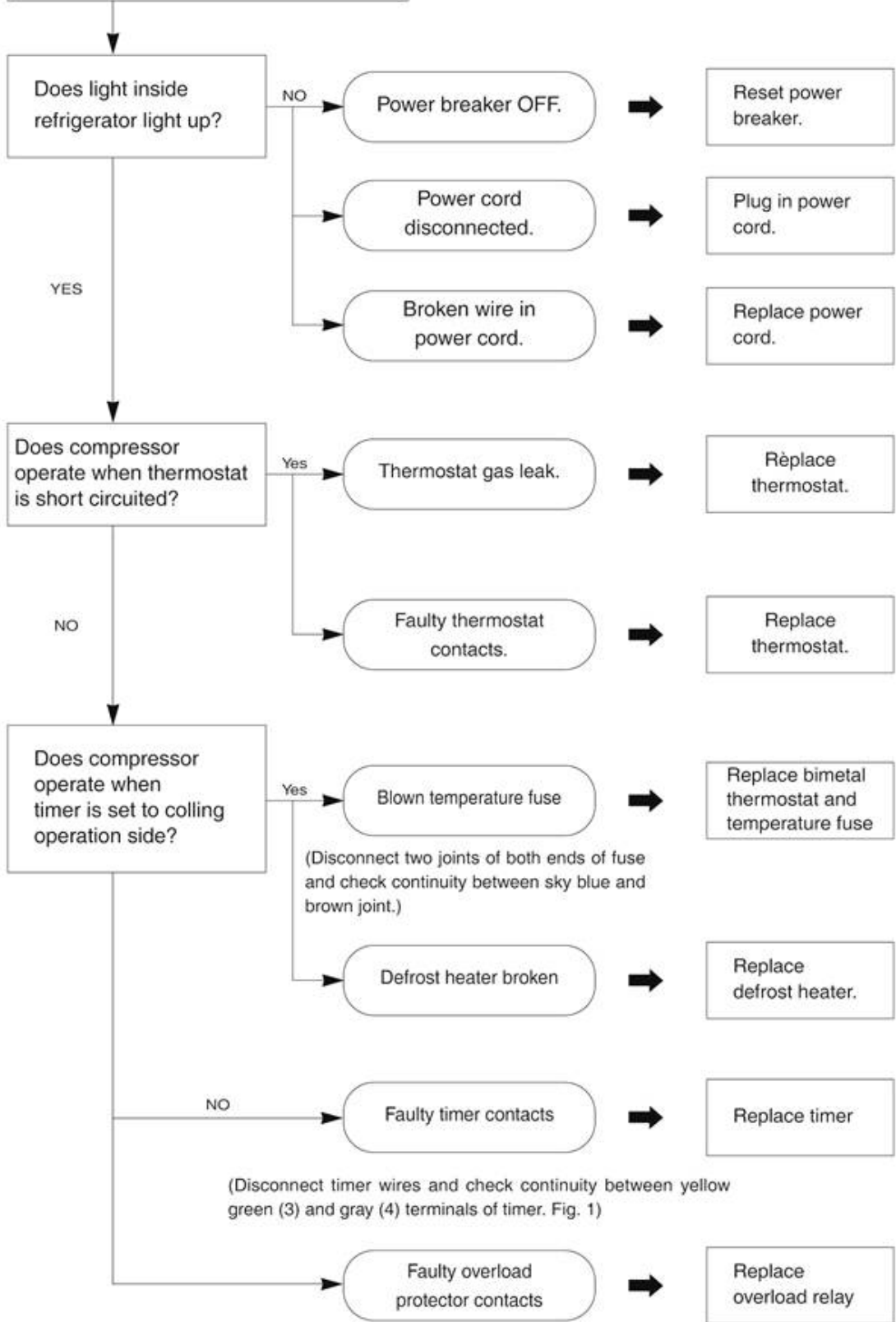
MODEL	NR-B48M1/B591G	NR-B591B/BW/BR	NR-B591G-*9/B591BS
SPECIFICATIONS			
Net Capacity	468L (FC:150L,PC:318L)		
Gross Capacity	506L (FC:169L,PC:337L)		
Outside dimensions			
Width	674 mm	674 mm	674 mm
Depth	801 mm	786 mm	801 / 786 mm
Height	1822 mm	1822 mm	1822 mm
Net weight	83 kg		
Type	Frost-free refrigerator/freezer		
Temperature control	Full-automatic direct control (FC : ATC thermo. ,PC : Damper thermo.)		
Defrosting	Full-automatic heater defrost with timer		
Defrost water disposal	Full-automatic (Forcible evaporated into the air)		
Exterior finish	Polyrster coated finish		
Inner liner	Vacuum formed ABS resin		
Insulation	Polyurethane foam (cabinet & door)		
Power source	AC 220~240V/50Hz		AC 220~230V/60Hz
SEALED UNIT			
Compressor	DB110C19RAW5		D110C22RAX6
(Winding Resistance measured at 20°C)	(Main)	8.61 Ω	(Main) 5.21 Ω
	(Auxiliary)	12.4 Ω	(Auxiliary) 7.02 Ω
Evaporator	Fin tube type		
Condenser	Wrapper type (Consealed condenser)		
Refrigerant charge	HFC-134a , 160g		
Oil charge	350ml		300ml
ELECTRIC PARTS			
Starting relay(contact-less type)	PTH7M330MD2		
Overload protector	4TM734PFBYY		4TM757LFBYY
Thermostat	TBA-1011		
Fan motor	FBA11J12HA(DC7~14V/0.21A以下)		
Defrost timer	TMDJ-702AC1/Cycle : 8 hours 46 min./50Hz ; 7 hours 18 min./60Hz Rating of contacts : 240V/5A Winding resistance : OPEN (to DC test voltages)		
Bimetal thermo.	US-602SXRMQO-T0, Temp. cut-in : -5°C Temp.cut-off : 13°C Rating of contacts : 250V/8A		
Fuse	D070-002 , 250V/10A/72°C		
Bimetal thermo. Bot.	MQT8S-20XB,250V/0.5A (only use for B591BR)		
Defrost heater	230V / 180W / 294 Ω		
PC damper thermo.	SD-8001 / SD-8011-2 (only use for B591BW/BS)		
Lamp bulb	E14 / 240V /15W		
Door switch (PC)	(PC : 8203) 250V/5A		
Running capacitor	6μF/400V		

MODEL	NR-B53M1/B651G	NR-B651B/BW/BR	NR-B651G-*9/B651BS
SPECIFICATIONS			
Net Capacity	521L (FC : 163L,PC : 358L)		
Gross Capacity	558L (FC : 184L,PC : 374L)		
Outside dimensions			
Width	774 mm	774 mm	774 mm
Depth	763 mm	756 mm	763 / 756 mm
Height	1822 mm	1822 mm	1822 mm
Net weight	90 kg		
Type	Frost-free refrigerator/freezer		
Temperature control	Full-automatic direct control (FC : ATC thermo. ,PC : Damper thermo.)		
Defrosting	Full-automatic heater defrost with timer		
Defrost water disposal	Full-automatic (Forcible evaporated into the air)		
Exterior finish	Polyrster coated finish		
Inner liner	Vacuum formed ABS resin		
Insulation	Polyurethane foam (cabinet & door)		
Power source	AC 220~240V/50Hz		AC 220~230V/60Hz
SEALED UNIT			
Compressor	DB110C19RAW5		D110C22RAX6
(Winding Resistance measured at 20°C)	(Main)	8.61 Ω	(Main) 5.21 Ω
	(Auxiliary)	12.4 Ω	(Auxiliary) 7.02 Ω
Evaporator	Fin tube type		
Condenser	Wrapper type (Consealed condenser)		
Refrigerant charge	HFC-134a , 160g		
Oil charge	350ml		300ml
ELECTRIC PARTS			
Starting relay(contact-less type)	PTH7M330MD2		
Overload protector	4TM734PFBYY		4TM757LFBYY
Thermostat	TBA-1019		
Fan motor	FBA11J12HA(DC7~14V/0.21A以下)		
Defrost timer	TMDJ-702AC1/Cycle : 8 hours 46 min./50Hz ; 7 hours 18 min./60Hz Rating of contacts : 240V/5A Winding resistance : OPEN (to DC test voltages)		
Bimetal thermo.	US-602SXRMQO-T0, Temp. cut-in : -5°C Temp.cut-off : 13°C Rating of contacts : 250V/8A		
Fuse	D070-002 , 250V/10A/72°C		
Bimetal thermo. Bot.	MQT8S-20XB,250V/0.5A (only use for B651BR)		
Defrost heater	230V / 180W / 294 Ω		
PC damper thermo.	SD-8011-2		
Lamp bulb	E14 / 240V /15W		
Door switch (PC)	(PC : 8203) 250V/5A		
Running capacitor	6 μ F/400V		

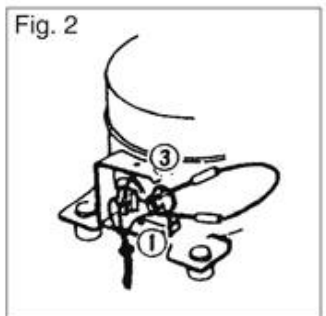
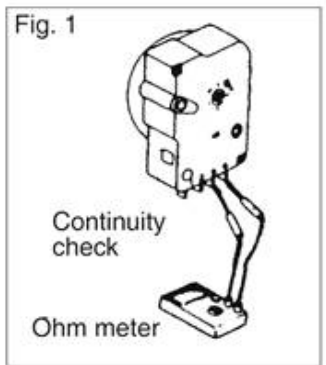
2. Troubleshooting Guide

2.1 Symptom 1. No cooling at all.

Compressor does not operate. (No compressor motor operation noise.)

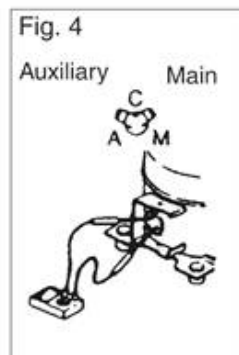
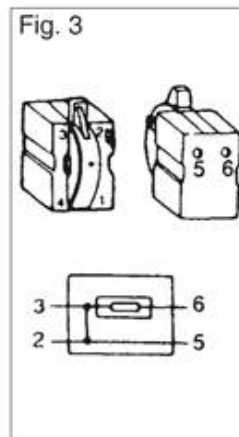
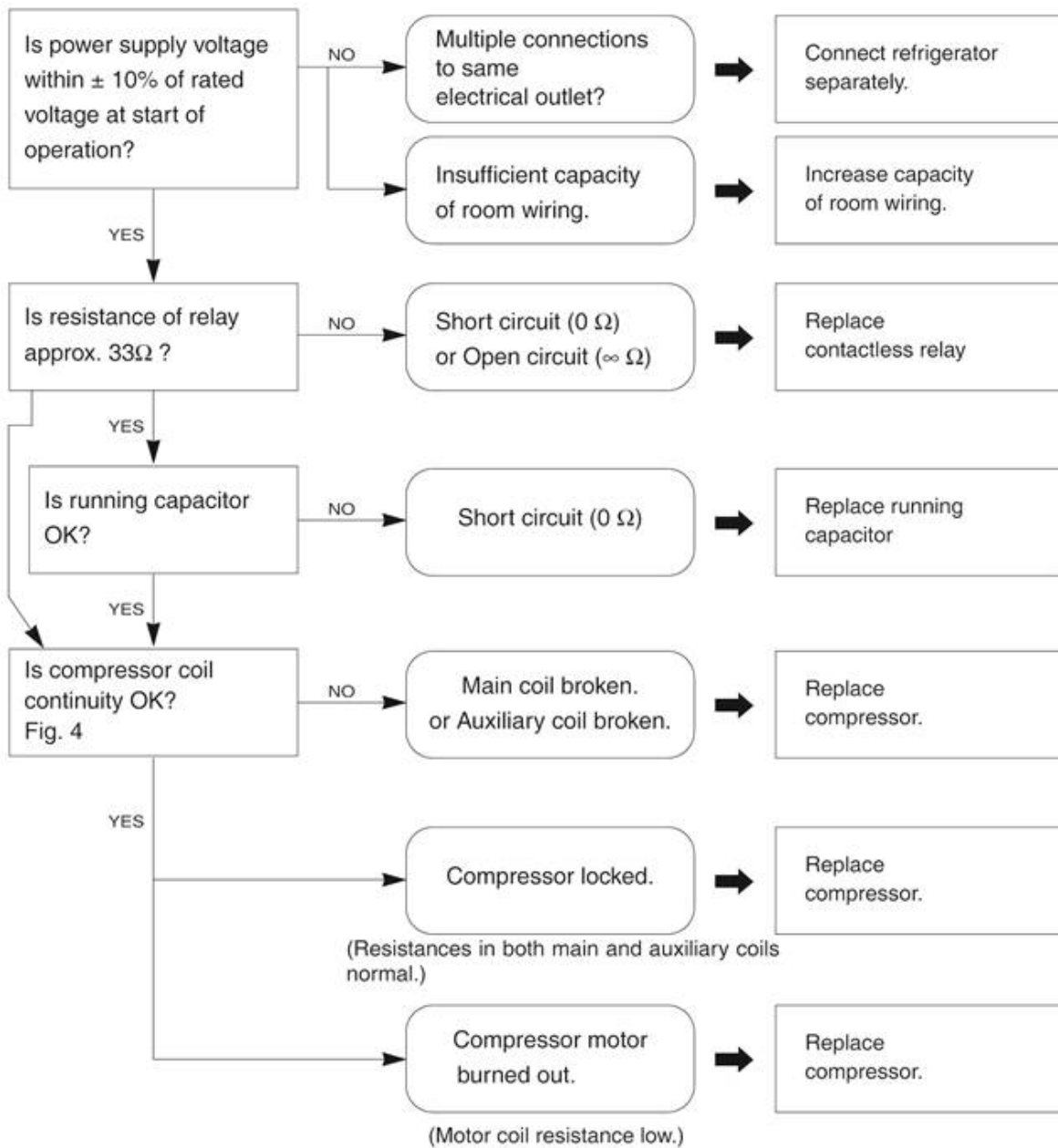


(Short circuit wires ① and ③ of the overload protector; if the compressor operates, the overload protector is faulty. Fig. 2)



Compressor does not operate.

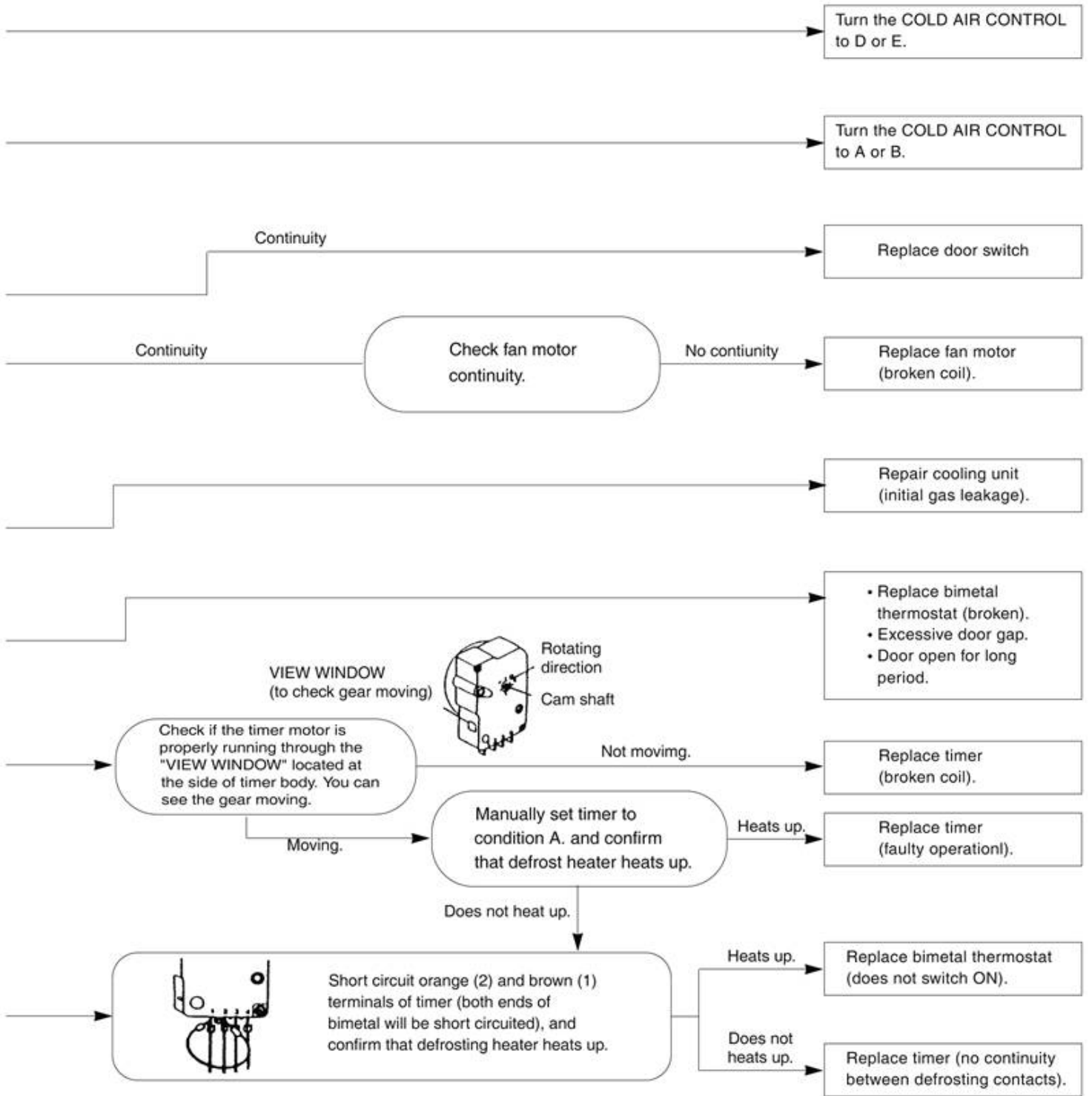
(There is operation noise, but overload protector functions and compressor stops; this occurs repeatedly.)



Compressor operate.

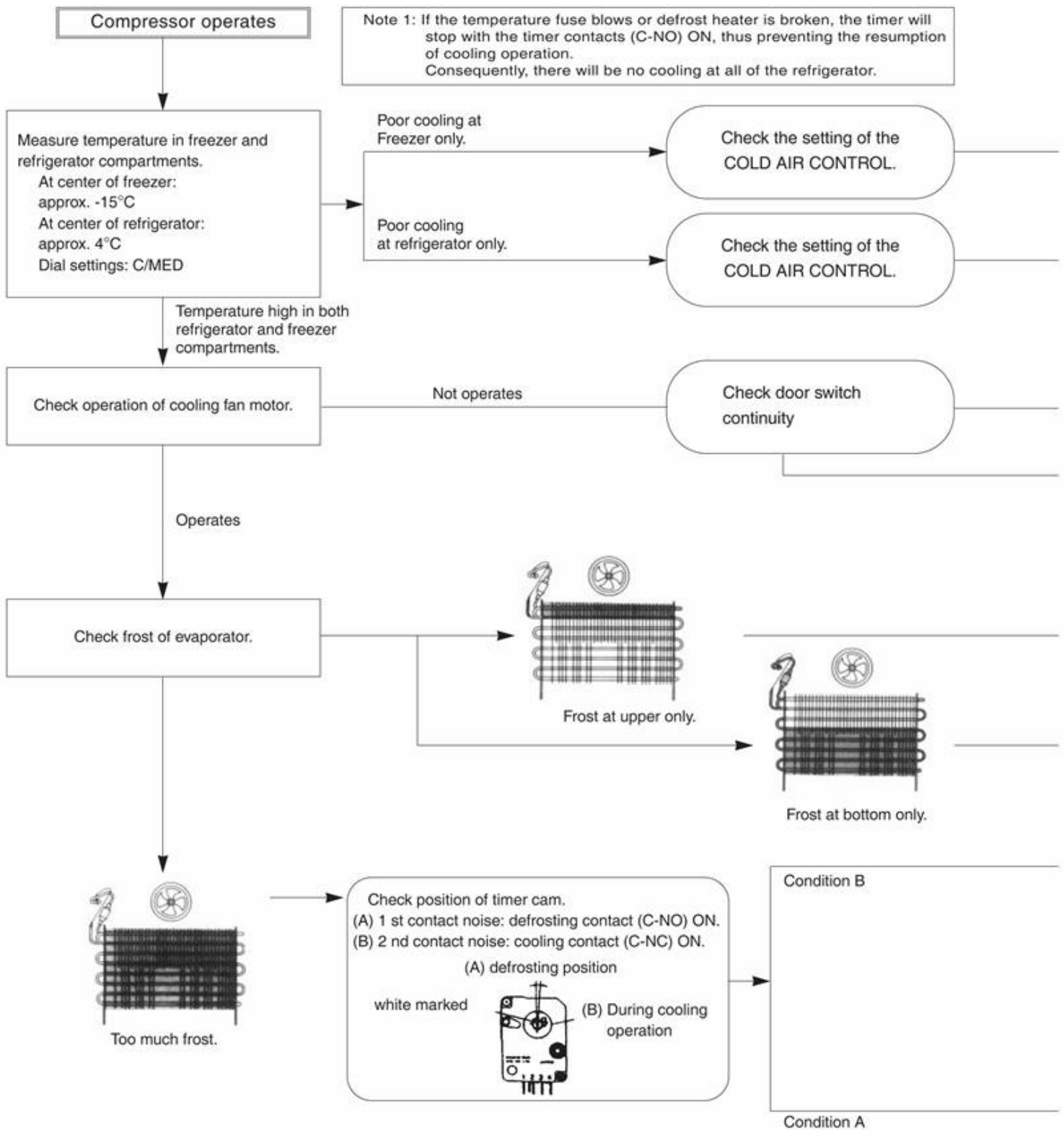
(Condenser temperature is low.)





light blue (1)

2.2 Symptom 2. poor cooling.



3. Disassembly and Assmby Instructions

3.1 THERMOSTAT

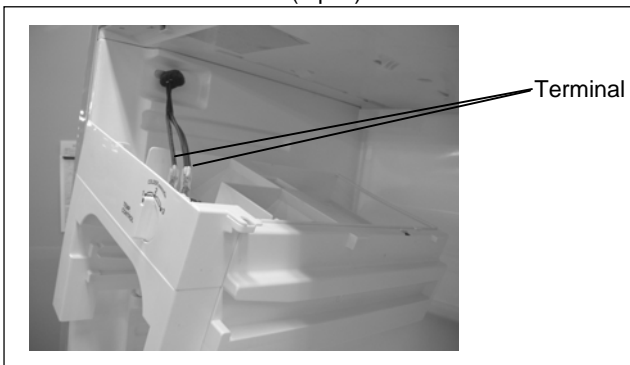
- Take out the FC bottom case & top case.
- Remove the screw(1 pcs)which fix the ice corner AS.
- Pull the ice corner AS.

NOTE :

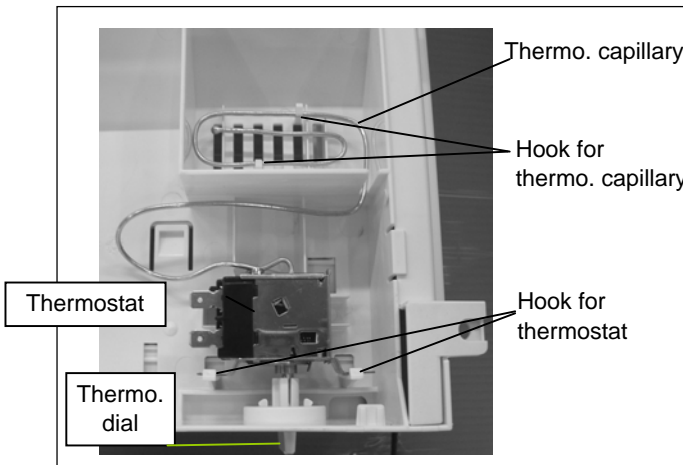
Thermo. dial can not be removed by pulling it toward you.



- Pull the ice corner AS. toward you to remove.
- Disconnect the terminals (2 pcs).



- Unhook thermo. Capillary.
- Unhook thermostat.



- Then thermostat and thermo. dial can be removed.

CAUTION

To replace the thermostat

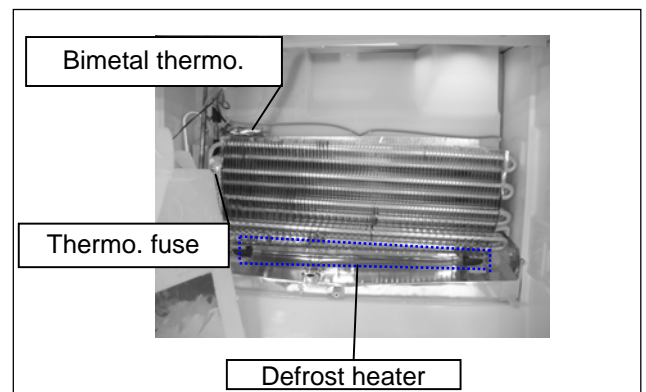
- Thermo. capillary should be hooked in plate.

3.2 BIMETAL THERMO., THERMAL FUSE, DEFROST HEATER

- Take out the FC top case & bottom case.
- Take out the ice corner AS.
- Remove the screw(1 pcs)which fix the cover coil.
- Pull the cover coil.

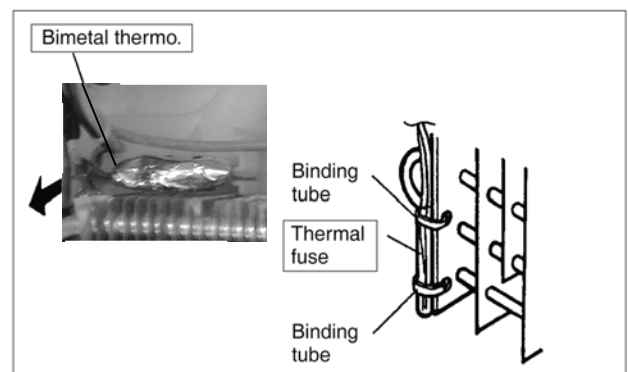


- Each part is installed as shown in the figure.



(BIMETAL THERMO., AND THERMAL FUSE)

- Pull the bimetal thermo. to the direction of arrow.
- Cut binding tube and remove thermal fuse.



To replace bimetal thermostat

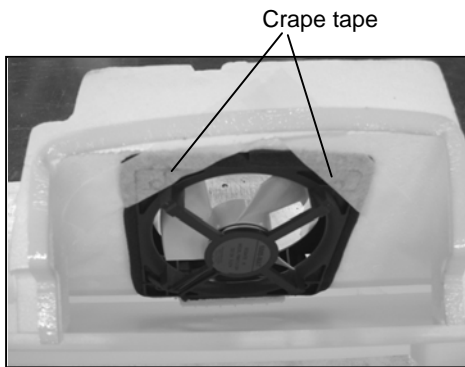
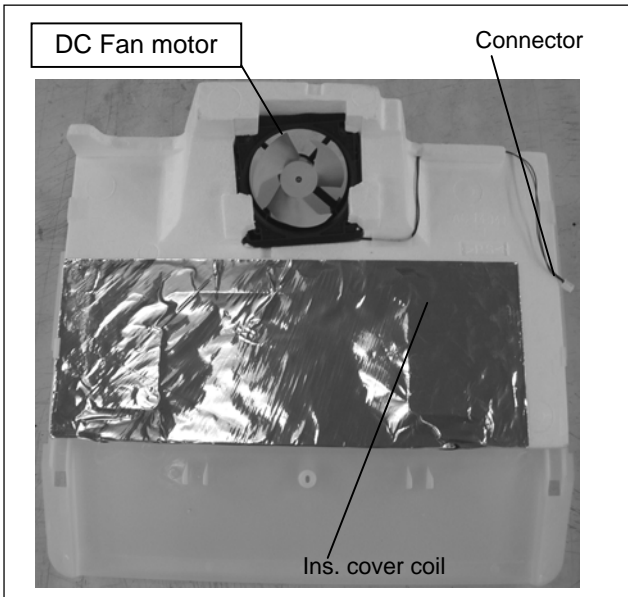
- Be sure to set bimetal thermostat so that heat sensor. (Orange wire should be lower.)

To replace thermal fuse

- Be sure to put thermal fuse in place.
- Bind lead wire without loose as shown in the figure.

3.3 DC FAN MOTOR

- Disconnect the terminal (1 pcs).
- Remove the crape tape which set the ins. cover coil & DC fan motor.



To replace the DC fan motor

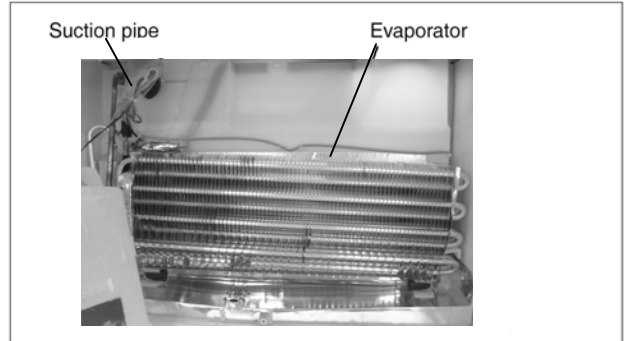
- Insert the DC fan motor case into the ins. cover coil back.
- Connect the terminal.

3.4 DEFROST HEATER

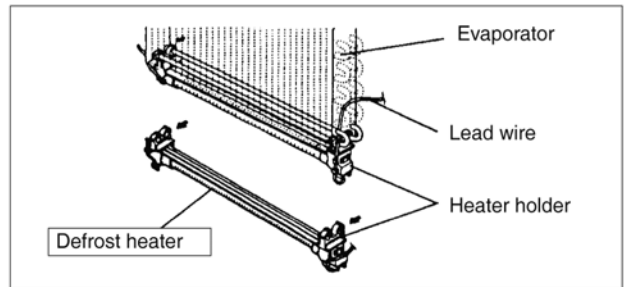
- Remove the cover coil & fan motor as.
- Lifting the evaporator at right gradually, pull it toward you.

NOTE :

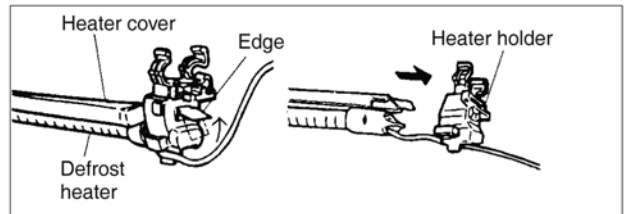
Special care should be taken not to twist and break the pipe.



- Heater holder is hooked to the evaporator pipe.
Disconnect the connector of heater lead wire.

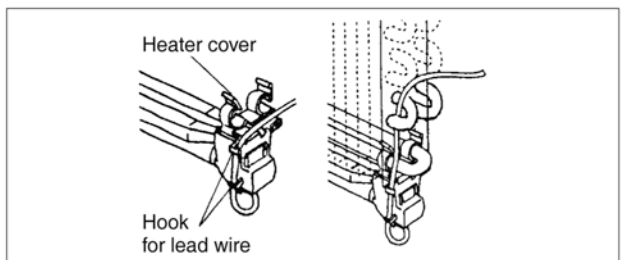


- Lift the edge of heater and make it straight.
Then pull the heater holder as shown in the figure.



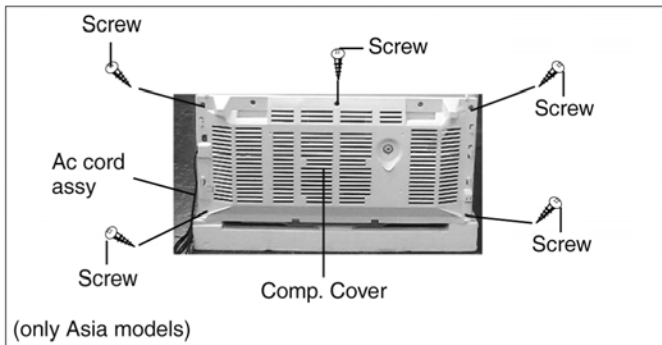
To replace the defrost heater

- Insert the heater into the heater holder properly.
- Hook the heater holder to the evaporator pipe.
- Arrange the lead wire of heater by using hook for lead wire so that it will not loose.

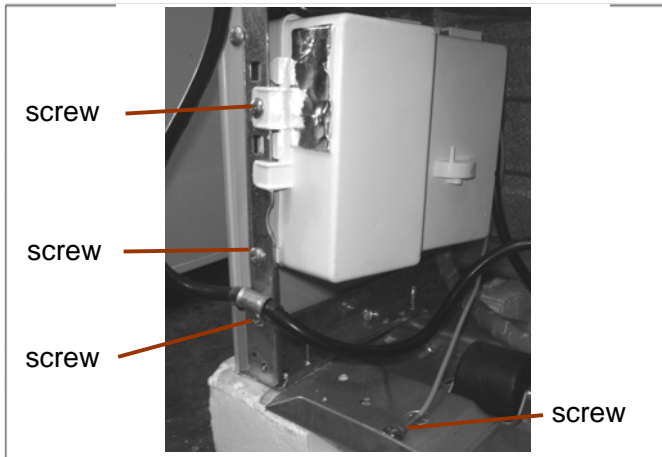


3.5 DEFROST TIMER

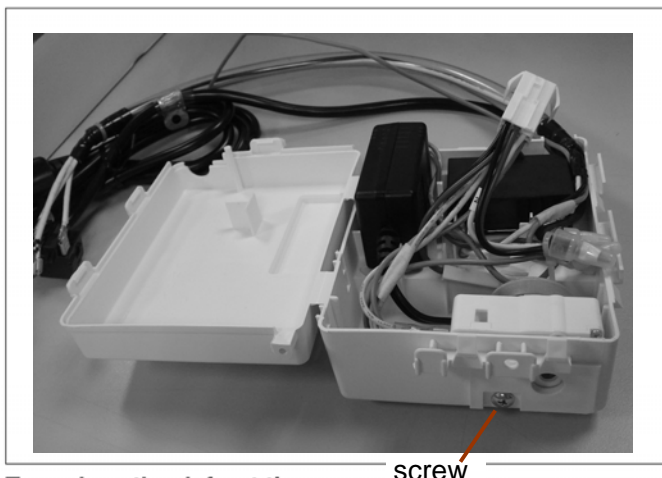
- Remove the screws(5pcs) which are fixed on comp. cover.
- Remove the comp. cover.



- Remove the screw which connects box & comp. Base.



- Remove the screws on timer box as.
- Remove the screw which connects timer & box.

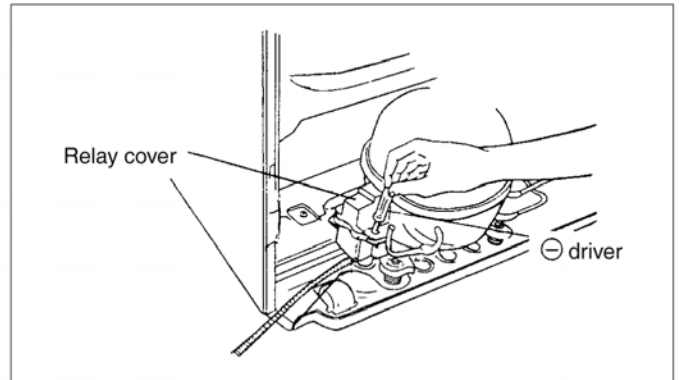


To replace the defrost timer

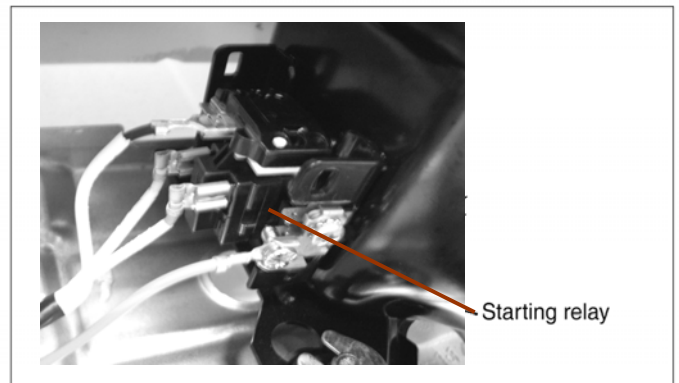
- Be sure to set the timer in cooling operation.
- Rotating direction of cam shaft is counter-clockwise.

3.6 STARTING RELAY AND OVERLOAD PROTECTOR

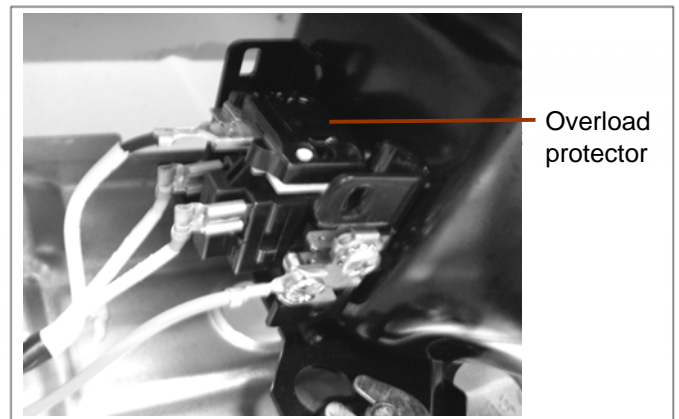
- Remove the clamp and the cover.



- Pull the starting relay leftwards to remove.



- Pushing both ends of clips inwards, pull up the overload protector.

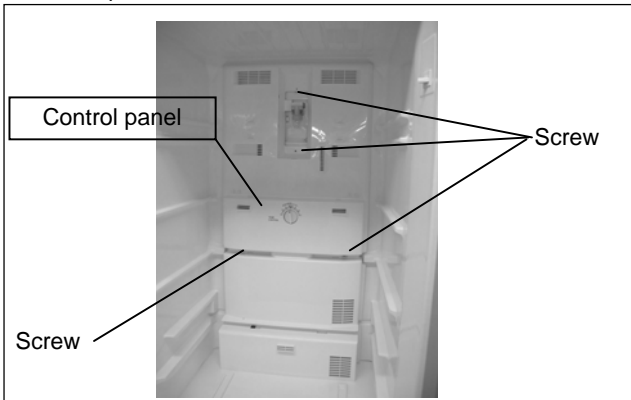


To replace the overload protector

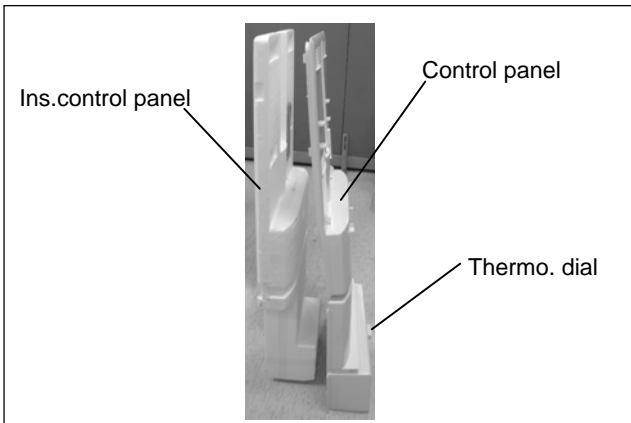
- The overload protector should be in the clip. Install the protector to touch the compressor.

3.7 DAMPER THERMOSTAT

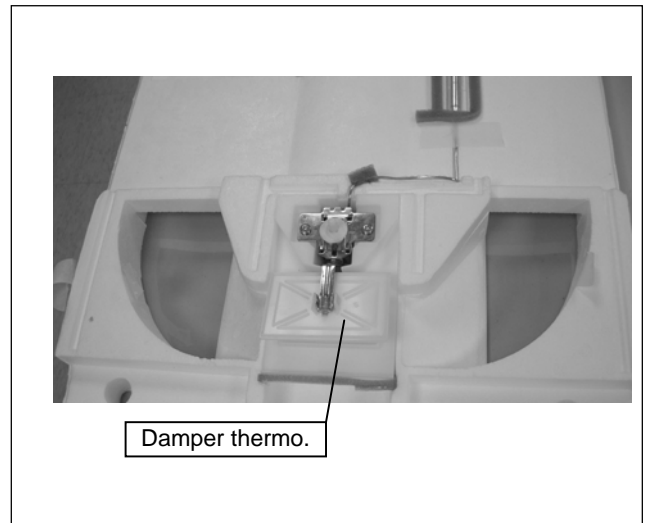
- Remove lamp cover.
- Remove screws(4 pcs), and pull the bottom part of control panel.



- Pull the thermo. Dial toward you.
- Then separate the insulation from the control plate.



- Tear off the tapes on insulation.
- Open the insulation from the front side pull the upper portion.
- Remove the damper thermostat from insulation.

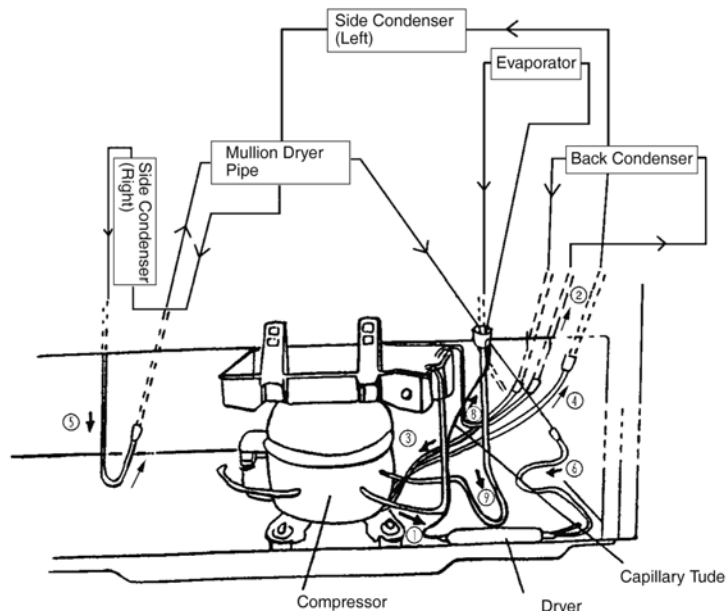


To replace damper thermo.

- Sealing dial should be put in place.
- Seal the gap between the front insulation and the back insulation by putting tape.
- Hook the sensor bulb in place.

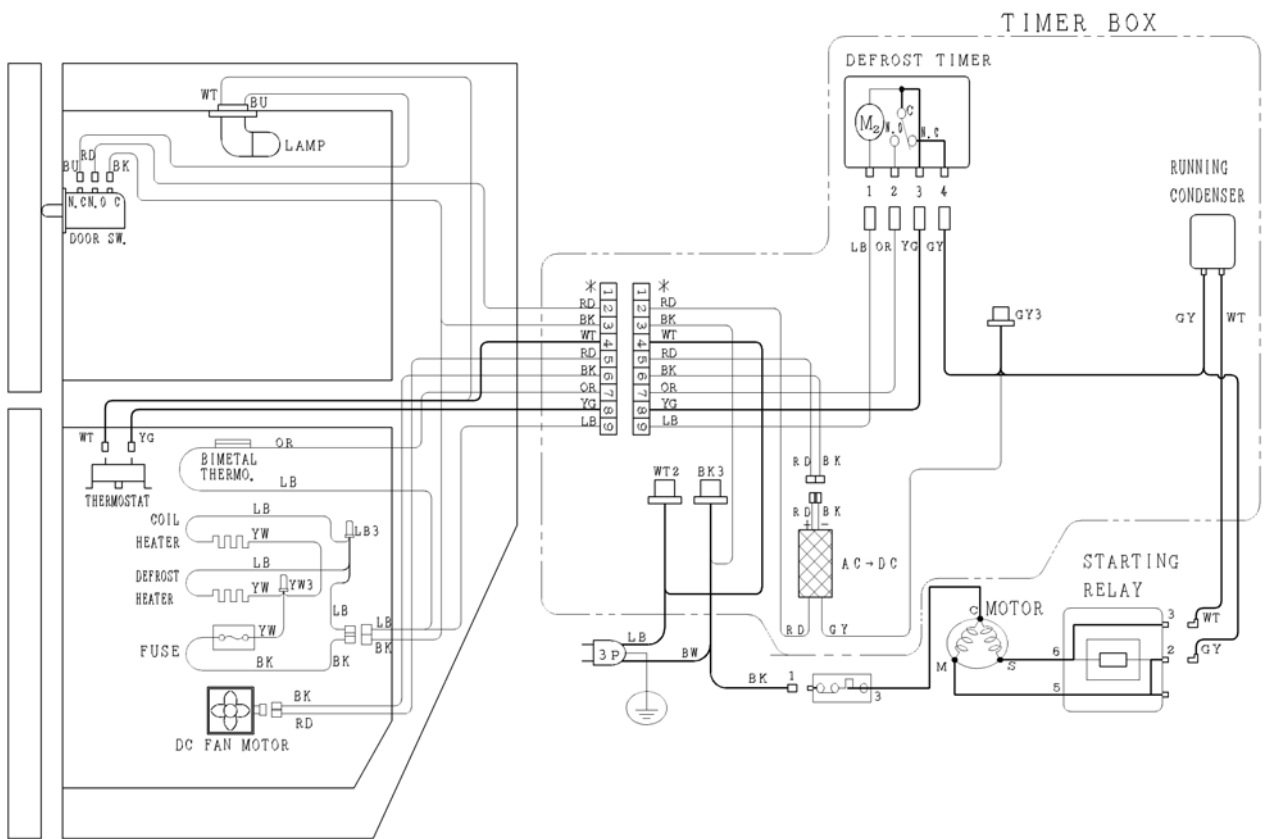
3.8 REFRIGERANT FLOW DIAGRAM

- Refrigerant flows in the refrigerating unit as shown in the figure.
- Number in the figure of "PIPE LAYOUT" corresponds to number in the refrigerant flow diagram.

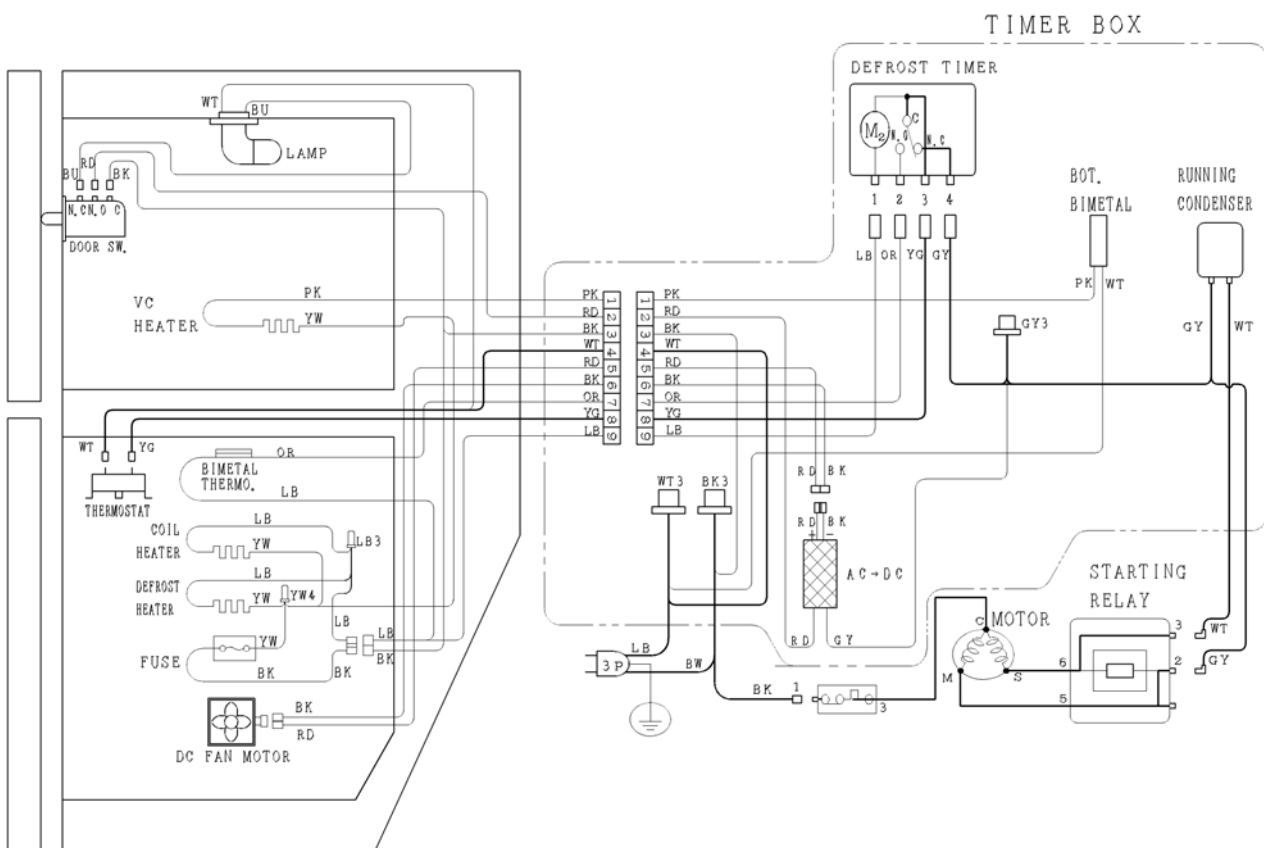


4. Wiring Connection Diagram

■ WIRING CONNECTION DIAGRAM (NR-B48M1,B591B/BW/BS/G)

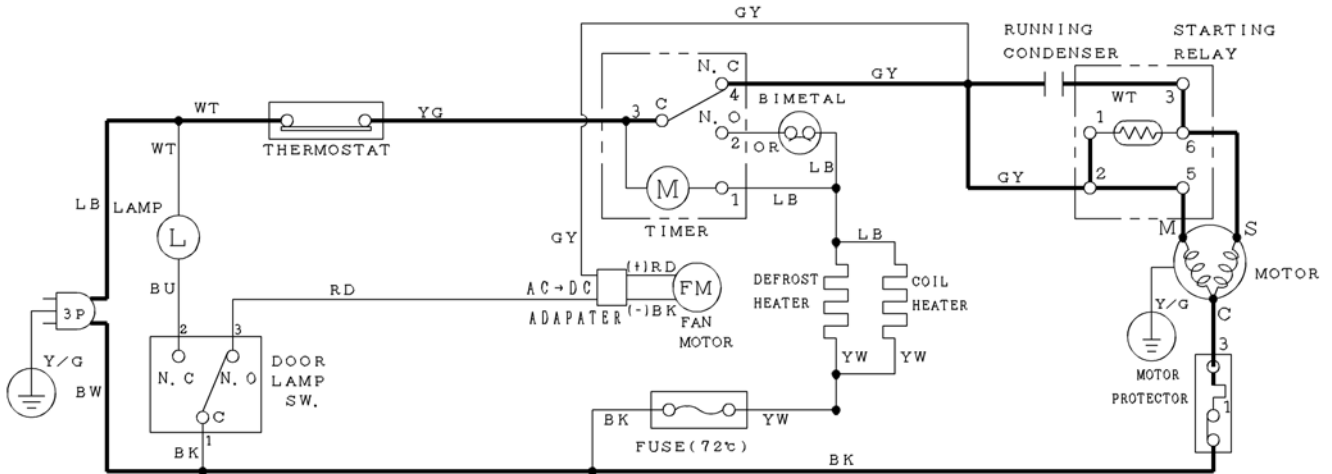


■ WIRING CONNECTION DIAGRAM (NR-B591BR,B651BR)

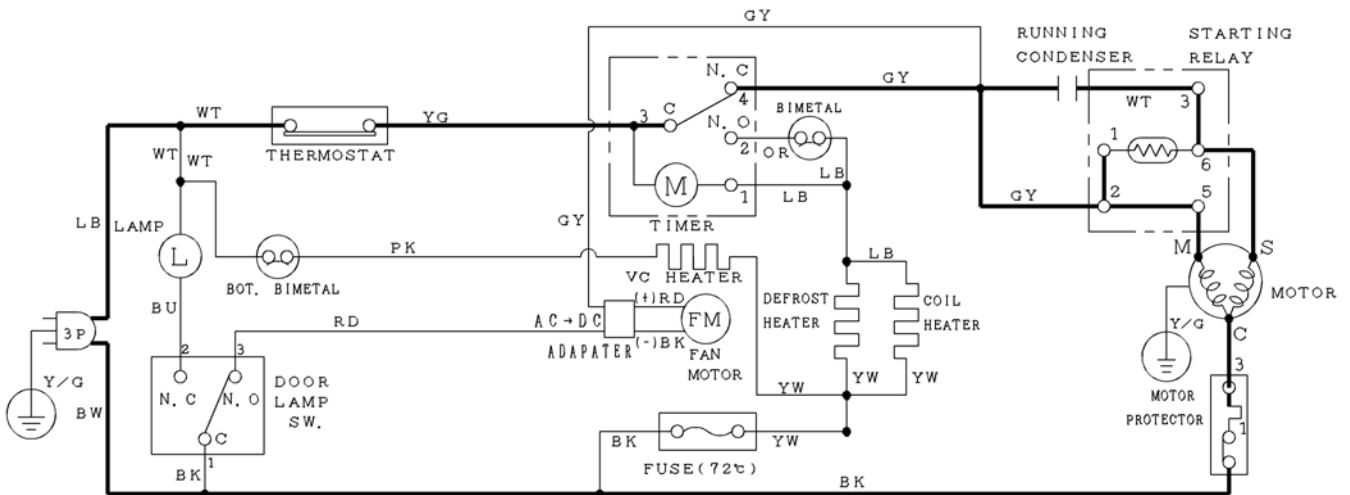


5. Schematic Diagram

■ SCHEMATIC DIAGRAM (NR-B48M1,B591B/BW/BS/G)

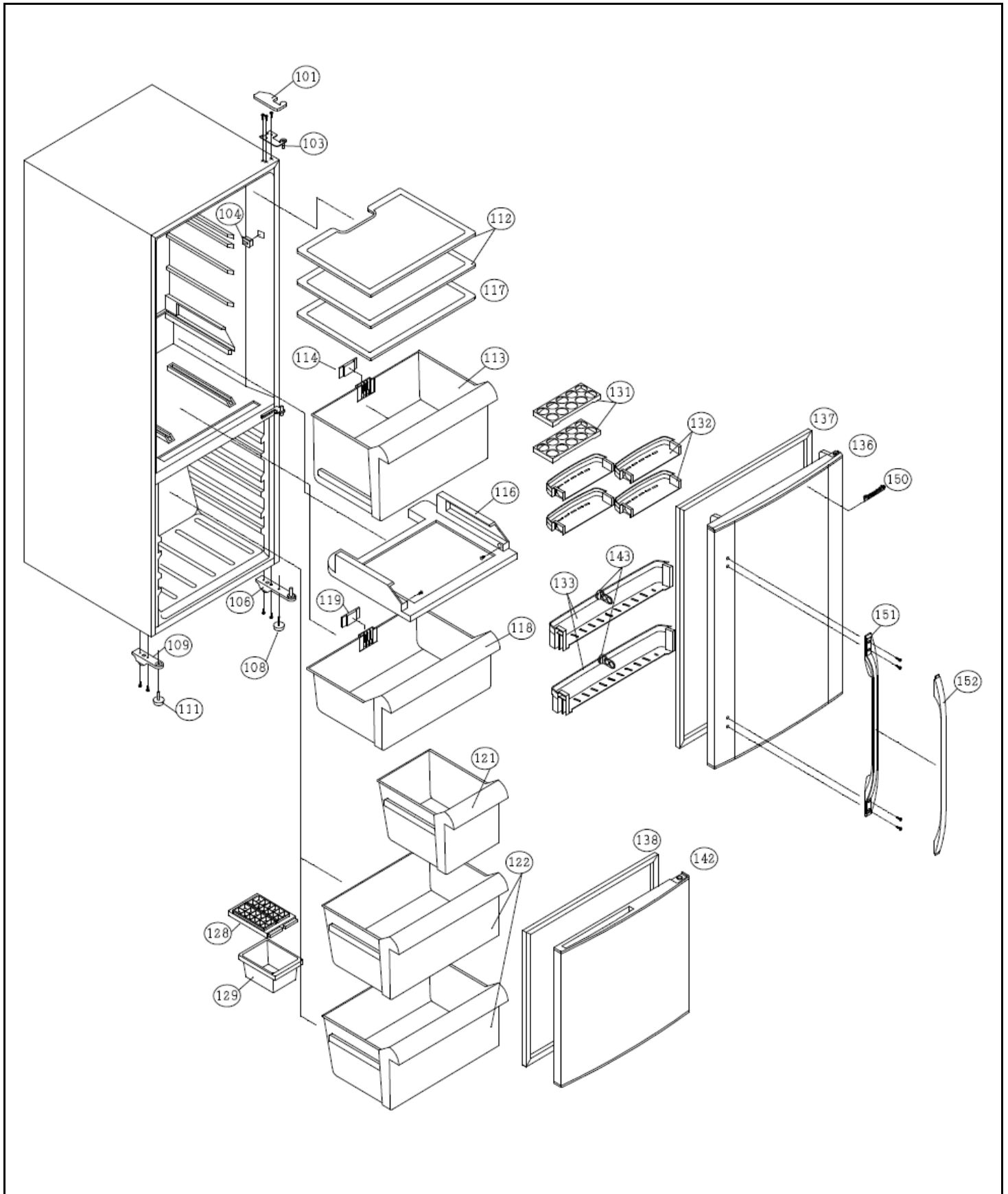


■ SCHEMATIC DIAGRAM (NR-B591BR,B651BR)



6.Parts Location and Replacement Parts List

6.1.1 Location of Parts



6.1.2 Replacement Parts List

Ref.No	Service Parts No.	Parts Name & Description	B591B-S4,S7,S8	B591B-W4,W7,W8	PCS/SET
101	CNRAE-11684T	HINGE TOP COVER -T	○	—	1
	CNRAE-11684W	HINGE TOP COVER -W	—	○	
103	CNRAE-11660T	HINGE TOP	○	○	1
104	CNRAG-11526T	DOOR SW.	○	○	1
106	CNRBC-25418T	FRAME CASTER AS. R.	○	○	1
108,111	CNRAC-14832T	ADJUSTER BOLT.	○	○	2
109	CNRBC-18180T	FRAME CASTER AS. L.	○	○	1
112	CNRAH-19513T	GLASS SHELF PC	○	○	2
	CNRBH-11185T	SHELF NET PC AS.	—	—	
113	CNRAH-19506B	CRISPER(LB)	○	○	1
114	CNRBH-11116T	CASSETTE HERB AS.	○	○	1
116	CNRAH-19508T	PLATE MID PC	○	○	1
117	CNRAH-19513T	GLASS SHELF PC	○	○	1
118	CNRAH-19509B	FINE FRESH CASE(LB)	○	○	1
119	CNRBH-11162T	FINE FRESH CASSETTE AS.	○	○	1
121	CNRAH-19510B	FC TOP CASE(LB)	○	○	1
122	CNRAH-19507B	FC BOTTOM CASE(LB)	○	○	2
128	CNRBH-10241W	ICE TRAY AS.	○	○	1
129	CNRAH-13308D	ICE BOX(B)	○	○	1
131	CNRAD-13927D	EGG TRAY 8	○	○	2
132	CNRAH-19511D	FREE RACK	○	○	4
133	CNRAH-19512L	BOTTLE SHELF PC	○	○	2
136	CNRBD-19960M	PC DOOR UNIT-MS	○	—	1
	CNRBD-19960W	PC DOOR UNIT -W	—	○	
137	CNRAD-26579T	PC DOOR GASKET	○	○	1
138	CNRAD-26581T	FC DOOR GASKET	○	○	1
142	CNRBD-19962M	FC DOOR UNIT-MS	○	—	1
	CNRBD-19962W	FC DOOR UNIT -W	—	○	
143	CNRBD-19954T	SLIDE STOPPER PC AS.	○	○	2
150	CNRAD-24288T	EMBLEM MARK PLATE	—	—	1
	CNRAD-26650T	EMBLEM MARK PLATE	○	○	
151	CNRBE-10084T	HANDLE BASE AS.	○	○	1
152	CNRAE-11679G	HANDLE COVER PC(PAINT)(TG)	○	—	1
	CNRAE-11679W	HANDLE COVER PC(PAINT)(WG)	—	○	

6.1.3 Replacement Parts List

Ref.No	Service Parts No.	Parts Name & Description	B591BW-S7	B591BW-W7	B591BW-X7	PCS/SET
101	CNRAE-11684T	HINGE TOP COVER -T	○	—	—	1
	CNRAE-11684W	HINGE TOP COVER -W	—	○	—	
	CNRAE-11684R	HINGE TOP COVER -BR	—	—	○	
103	CNRAE-11660T	HINGE TOP	○	○	○	1
104	CNRAG-11526T	DOOR SW.	○	○	○	1
106	CNRBC-25418T	FRAME CASTER AS. R.	○	○	○	1
108,111	CNRAC-14832T	ADJUSTER BOLT.	○	○	○	2
109	CNRBC-18180T	FRAME CASTER AS. L.	○	○	○	1
112	CNRAH-19513T	GLASS SHELF PC	—	—	—	2
	CNRBH-11185T	SHELF NET PC AS.	○	○	○	
113	CNRAH-19506B	CRISPER(LB)	○	○	○	1
114	CNRBH-11116T	CASSETTE HERB AS.	○	○	○	1
116	CNRAH-19508T	PLATE MID PC	○	○	○	1
117	CNRAH-19513T	GLASS SHELF PC	○	○	○	1
118	CNRAH-19509B	FINE FRESH CASE(LB)	○	○	○	1
119	CNRBH-11162T	FINE FRESH CASSETTE AS.	○	○	○	1
121	CNRAH-19510B	FC TOP CASE(LB)	○	○	○	1
122	CNRAH-19507B	FC BOTTOM CASE(LB)	○	○	○	2
128	CNRBH-10241W	ICE TRAY AS.	○	○	○	1
129	CNRAH-13308D	ICE BOX	○	○	○	1
131	CNRAD-13927D	EGG TRAY	○	○	○	2
132	CNRAH-19511D	FREE RACK	○	○	○	4
133	CNRAH-19512L	BOTTLE SHELF PC	○	○	○	2
136	CNRBD-19960M	PC DOOR UNIT-MS	○	—	—	1
	CNRBD-19960W	PC DOOR UNIT -W	—	○	—	
	CNRBD-19960R	PC DOOR UNIT -BR	—	—	○	
137	CNRAD-26579T	PC DOOR GASKET	○	○	—	1
138	CNRAD-26581T	FC DOOR GASKET	○	○	—	1
142	CNRBD-19962M	FC DOOR UNIT-MS	○	—	—	1
	CNRBD-19962W	FC DOOR UNIT -W	—	○	—	
	CNRBD-19962R	FC DOOR UNIT -BR	—	—	○	
143	CNRBD-19954T	SLIDE STOPPER PC AS.	○	○	○	2
150	CNRAD-24288T	EMBLEM MARK PLATE	—	—	—	1
	CNRAD-26650T	EMBLEM MARK PLATE	○	○	○	
151	CNRBE-10084T	HANDLE BASE AS.	○	○	○	1
152	CNRAE-11679G	HANDLE COVER PC(PAINT)(TG)	○	—	—	1
	CNRAE-11679W	HANDLE COVER PC(PAINT)(WG)	—	○	—	
	CNRAE-11679C	HANDLE COVER PC(PAINT)(C)	—	—	○	

6.1.4 Replacement Parts List

Ref.No	Service Parts No.	Parts Name & Description	B591BS-S7	B591BS-W7	PCS/SET
101	CNRAE-11684T	HINGE TOP COVER -T	○	—	1
	CNRAE-11684W	HINGE TOP COVER -W	—	○	
103	CNRAE-11660T	HINGE TOP	○	○	1
104	CNRAG-11526T	DOOR SW.	○	○	1
106	CNRBC-25418T	FRAME CASTER AS. R.	○	○	1
108,111	CNRAC-14832T	ADJUSTER BOLT.	○	○	2
109	CNRBC-18180T	FRAME CASTER AS. L.	○	○	1
112	CNRAH-19513T	GLASS SHELF PC	—	—	2
	CNRBH-11185T	SHELF NET PC AS.	○	○	
113	CNRAH-19506B	CRISPER(LB)	○	○	1
114	CNRBH-11116T	CASSETTE HERB AS.	○	○	1
116	CNRAH-19508T	PLATE MID PC	○	○	1
117	CNRAH-19513T	GLASS SHELF PC	○	○	1
118	CNRAH-19509B	FINE FRESH CASE(LB)	○	○	1
119	CNRBH-11162T	FINE FRESH CASSETTE AS.	○	○	1
121	CNRAH-19510G	FC TOP CASE(LB)	○	○	1
122	CNRAH-19507G	FC BOTTOM CASE(LB)	○	○	2
128	CNRBH-10241W	ICE TRAY AS.	○	○	1
129	CNRAH-13308D	ICE BOX	○	○	1
131	CNRAD-13927D	EGG TRAY	○	○	2
132	CNRAH-19511D	FREE RACK	○	○	4
133	CNRAH-19512L	BOTTLE SHELF PC	○	○	2
136	CNRBD-18355M	PC DOOR UNIT-MS	○	—	1
	CNRBD-18355W	PC DOOR UNIT -W	—	○	
137	CNRAD-26579T	PC DOOR GASKET	○	○	1
138	CNRAD-26581T	FC DOOR GASKET	○	○	1
142	CNRBD-18357M	FC DOOR UNIT-MS	○	—	1
	CNRBD-18357W	FC DOOR UNIT -W	—	○	
143	CNRBD-19954T	SLIDE STOPPER PC AS.	○	○	2
150	CNRAD-24288T	EMBLEM MARK PLATE	—	—	1
	CNRAD-26650T	EMBLEM MARK PLATE	○	○	
151	CNRBE-10084T	HANDLE BASE AS.	○	○	1
152	CNRAE-11679G	HANDLE COVER PC(PAINT)(TG)	○	—	1
	CNRAE-11679W	HANDLE COVER PC(PAINT)(WG)	—	○	

6.1.5 Replacement Parts List

Ref.No	Service Parts No.	Parts Name & Description	B591BR-S4	B591BR-W4	B591BR-X4	B591BR-C4	PCS/SET
101	CNRAE-11684T	HINGE TOP COVER -T	○	—	—	—	1
	CNRAE-11684W	HINGE TOP COVER -W	—	○	—	—	
	CNRAE-11684R	HINGE TOP COVER -BR	—	—	○	—	
	CNRAE-11684C	HINGE TOP COVER -C	—	—	—	○	
103	CNRAE-11660T	HINGE TOP	○	○	○	○	1
104	CNRAG-11526T	DOOR SW.	○	○	○	○	1
106	CNRBC-25418T	FRAME CASTER AS. R.	○	○	○	○	1
108,111	CNRAC-14832T	ADJUSTER BOLT.	○	○	○	○	2
109	CNRBC-18180T	FRAME CASTER AS. L.	○	○	○	○	1
112	CNRAH-19513T	GLASS SHELF PC	○	○	○	○	2
	CNRBH-11185T	SHELF NET PC AS.	—	—	—	—	
113	CNRAH-19506B	CRISPER(LB)	○	○	○	○	1
114	CNRBH-11116T	CASSETTE HERB AS.	○	○	○	○	1
116	CNRAH-19508T	PLATE MID PC	○	○	○	○	1
117	CNRAH-19513T	GLASS SHELF PC	○	○	○	○	1
118	CNRAH-19509B	FINE FRESH CASE(LB)	○	○	○	○	1
119	CNRBH-11162T	FINE FRESH CASSETTE AS.	○	○	○	○	1
121	CNRAH-19510B	FC TOP CASE(LB)	○	○	○	○	1
122	CNRAH-19507B	FC BOTTOM CASE(LB)	○	○	○	○	2
128	CNRBH-10241W	ICE TRAY AS.	○	○	○	○	1
129	CNRAH-13308D	ICE BOX	○	○	○	○	1
131	CNRAD-13927D	EGG TRAY	○	○	○	○	2
132	CNRAH-19511D	FREE RACK	○	○	○	○	4
133	CNRAH-19512L	BOTTLE SHELF PC	○	○	○	○	2
136	CNRBD-18355M	PC DOOR UNIT-MS	○	—	—	—	1
	CNRBD-18355W	PC DOOR UNIT -W	—	○	—	—	
	CNRBD-18355S	PC DOOR UNIT -S	—	—	○	—	
	CNRBD-18355C	PC DOOR UNIT -C	—	—	—	○	
137	CNRAD-26579T	PC DOOR GASKET	○	○	○	○	1
138	CNRAD-26581T	FC DOOR GASKET	○	○	○	○	1
142	CNRBD-18357M	FC DOOR UNIT-MS	○	—	—	—	1
	CNRBD-18357W	FC DOOR UNIT -W	—	○	—	—	
	CNRBD-18357S	FC DOOR UNIT -S	—	—	○	—	
	CNRBD-18357C	FC DOOR UNIT -C	—	—	—	○	
143	CNRBD-19954T	SLIDE STOPPER PC AS.	○	○	○	○	2
150	CNRAD-24288T	EMBLEM MARK PLATE	—	—	—	—	1
	CNRAD-26650T	EMBLEM MARK PLATE	○	○	○	○	
151	CNRBE-10084T	HANDLE BASE AS.	○	○	○	○	1
152	CNRAE-11679G	HANDLE COVER PC(PAINT)(TG)	○	—	—	—	1
	CNRAE-11679W	HANDLE COVER PC(PAINT)(WG)	—	○	—	—	
	CNRAE-11679C	HANDLE COVER PC(PAINT)(C)	—	—	○	—	
	CNRAE-11679B	HANDLE COVER PC(PAINT)(B)	—	—	—	○	

6.1.6 Replacement Parts List

Ref.No	Service Parts No.	Parts Name & Description	B48M1-S4	B591G-S4,S6,S7,S9	B591G-X4,X6,X7	PCS/SET
101	CNRAE-11684T	HINGE TOP COVER -T	○	○	—	1
	CNRAE-11684R	HINGE TOP COVER -BR	—	—	○	1
103	CNRAE-11660T	HINGE TOP	○	○	○	1
104	CNRAG-11526T	DOOR SW.	○	○	○	1
106	CNRBC-25418T	FRAME CASTER AS. R.	○	○	○	1
108,111	CNRAC-14832T	ADJUSTER BOLT.	○	○	○	2
109	CNRBC-18180T	FRAME CASTER AS. L.	○	○	○	1
112	CNRAH-19513T	GLASS SHELF PC	○	○	○	2
113	CNRAH-19506B	CRISPER(LB)	○	○	○	1
114	CNRBH-11116T	CASSETTE HERB AS.	○	○	○	1
116	CNRAH-19508T	PLATE MID PC	○	○	○	1
117	CNRAH-19513T	GLASS SHELF PC	○	○	○	1
118	CNRAH-19509B	FINE FRESH CASE(LB)	○	○	○	1
119	CNRBH-11162T	FINE FRESH CASSETTE AS.	○	○	○	1
121	CNRAH-19510B	FC TOP CASE(LB)	○	○	○	1
122	CNRAH-19507B	FC BOTTOM CASE(LB)	○	○	○	2
128	CNRBH-10241W	ICE TRAY AS.	○	○	○	1
129	CNRAH-13308D	ICE BOX	○	○	○	1
131	CNRAD-13927D	EGG TRAY	○	○	○	2
132	CNRAH-19511D	FREE RACK	○	○	○	4
133	CNRAH-19512L	BOTTLE SHELF PC	○	○	○	2
136	CNRBD-18355M	PC DOOR UNIT-MS	○	○	○	1
	CNRBD-18355S	PC DOOR UNIT-S	—	—	○	
137	CNRAD-26579T	PC DOOR GASKET	○	○	○	1
138	CNRAD-26581T	FC DOOR GASKET	○	○	○	1
142	CNRBD-18357M	FC DOOR UNIT-MS	○	○	—	1
	CNRBD-18357S	FC DOOR UNIT-S	—	—	○	
143	CNRBD-19954T	SLIDE STOPPER PC AS.	○	○	○	2
150	CNRAD-24288T	EMBLEM MARK PLATE	○	○	○	1
151	CNRBE-10084T	HANDLE BASE AS.	○	○	○	1
152	CNRAE-11679G	HANDLE COVER PC(PAINT)(TG)	○	○	—	1
	CNRAE-11679C	HANDLE COVER PC(PAINT)(C)	—	—	○	

6.1.7 Replacement Parts List

Ref.No	Service Parts No.	Parts Name & Description	B651B-S4,S7,S8	B651B-W4,W7,W8	PCS/SET
101	CNRAE-11684T	HINGE TOP COVER -T	○	—	1
	CNRAE-11684W	HINGE TOP COVER -W	—	○	
103	CNRAE-11660T	HINGE TOP	○	○	1
104	CNRAG-11526T	DOOR SW.	○	○	1
106	CNRBC-25418T	FRAME CASTER AS. R.	○	○	1
108,111	CNRAC-14832T	ADJUSTER BOLT.	○	○	1
109	CNRBC-18180T	FRAME CASTER AS. L.	○	○	1
112	CNRAH-19521T	GLASS SHELF PC	○	○	2
113	CNRAH-19514B	CRISPER(LB)	○	○	1
114	CNRBH-11116T	CASSETTE HERB AS.	○	○	1
116	CNRAH-19516T	PLATE MID PC	○	○	1
117	CNRAH-19521T	GLASS SHELF PC	○	○	1
118	CNRAH-19517B	FINE FRESH CASE(LB)	○	○	1
119	CNRBH-11162T	FINE FRESH CASSETTE AS.	○	○	1
121	CNRAH-19518B	FC TOP CASE(LB)	○	○	1
122	CNRAH-19515B	FC BOTTOM CASE(LB)	○	○	2
128	CNRBH-10241W	ICE TRAY AS.	○	○	1
129	CNRAH-13308D	ICE BOX	○	○	1
131	CNRAD-13785D	EGG TRAY	○	○	2
132	CNRAH-19519D	FREE RACK	○	○	4
133	CNRAH-19520L	BOTTLE SHELF PC	○	○	2
136	CNRBD-19956M	PC DOOR UNIT-MS	○	—	1
	CNRBD-19956W	PC DOOR UNIT -W	—	○	
137	CNRAD-26578T	PC DOOR GASKET	○	○	1
138	CNRAD-26558T	FC DOOR GASKET	○	○	1
142	CNRBD-19958M	FC DOOR UNIT-MS	○	—	1
	CNRBD-19958W	FC DOOR UNIT -W	—	○	
143	CNRBD-19954T	SLIDE STOPPER PC AS.	○	○	2
150	CNRAD-26650T	EMBLEM MARK PLATE	○	○	1
151	CNRBE-10084T	HANDLE BASE AS.	○	○	1
152	CNRAE-11679G	HANDLE COVER PC(PAINT)(TG)	○	—	1
	CNRAE-11679W	HANDLE COVER PC(PAINT)(WG)	—	○	

6.1.8 Replacement Parts List

Ref.No	Service Parts No.	Parts Name & Description	B651BW-S7	B651BW-W7	B651BW-X7	PCS/SET
101	CNRAE-11684T	HINGE TOP COVER -T	○	—	—	1
	CNRAE-11684W	HINGE TOP COVER -W	—	○	—	
	CNRAE-11684R	HINGE TOP COVER -BR	—	—	○	
103	CNRAE-11660T	HINGE TOP	○	○	○	1
104	CNRAG-11526T	DOOR SW.	○	○	○	1
106	CNRBC-25418T	FRAME CASTER AS. R.	○	○	○	1
108,111	CNRAC-14832T	ADJUSTER BOLT.	○	○	○	1
109	CNRBC-18180T	FRAME CASTER AS. L.	○	○	○	1
112	CNRBH-11184T	SHELF NET PC AS.	○	○	○	2
113	CNRAH-19514B	CRISPER(LB)	○	○	○	1
114	CNRBH-11116T	CASSETTE HERB AS.	○	○	○	1
116	CNRAH-19516T	PLATE MID PC	○	○	○	1
117	CNRAH-19521T	GLASS SHELF PC	○	○	○	1
118	CNRAH-19517B	FINE FRESH CASE(LB)	○	○	○	1
119	CNRBH-11162T	FINE FRESH CASSETTE AS.	○	○	○	1
121	CNRAH-19518B	FC TOP CASE(LB)	○	○	○	1
122	CNRAH-19515B	FC BOTTOM CASE(LB)	○	○	○	2
128	CNRBH-10241W	ICE TRAY AS.	○	○	○	1
129	CNRAH-13308D	ICE BOX	○	○	○	1
131	CNRAD-13785D	EGG TRAY	○	○	○	2
132	CNRAH-19519D	FREE RACK	○	○	○	4
133	CNRAH-19520L	BOTTLE SHELF PC	○	○	○	2
136	CNRBD-19956M	PC DOOR UNIT-MS	○	—	—	1
	CNRBD-19956W	PC DOOR UNIT -W	—	○	—	
	CNRBD-19956R	PC DOOR UNIT -BR	—	—	○	
137	CNRAD-26578T	PC DOOR GASKET	○	○	○	1
138	CNRAD-26558T	FC DOOR GASKET	○	○	○	1
142	CNRBD-19958M	FC DOOR UNIT-MS	○	—	—	1
	CNRBD-19958W	FC DOOR UNIT -W	—	○	—	
	CNRBD-19958R	FC DOOR UNIT -BR	—	—	○	
143	CNRBD-19954T	SLIDE STOPPER PC AS.	○	○	○	2
150	CNRAD-26650T	EMBLEM MARK PLATE	○	○	○	1
151	CNRBE-10084T	HANDLE BASE AS.	○	○	○	1
152	CNRAE-11679G	HANDLE COVER PC(PAINT)(TG)	○	—	—	1
	CNRAE-11679W	HANDLE COVER PC(PAINT)(WG)	—	○	—	
	CNRAE-11679C	HANDLE COVER PC(PAINT)(C)	—	—	○	

6.1.9 Replacement Parts List

Ref.No	Service Parts No.	Parts Name & Description	B651BS-S7	B651BS-W7	PCS/SET
101	CNRAE-11684T	HINGE TOP COVER -T	○	—	1
	CNRAE-11684W	HINGE TOP COVER -W	—	○	
103	CNRAE-11660T	HINGE TOP	○	○	1
104	CNRAG-11526T	DOOR SW.	○	○	1
106	CNRBC-25418T	FRAME CASTER AS. R.	○	○	1
108,111	CNRAC-14832T	ADJUSTER BOLT.	○	○	1
109	CNRBC-18180T	FRAME CASTER AS. L.	○	○	1
112	CNRBH-11184T	SHELF NET PC AS.	○	○	2
113	CNRAH-19514B	CRISPER(LB)	○	○	1
114	CNRBH-11116T	CASSETTE HERB AS.	○	○	1
116	CNRAH-19516T	PLATE MID PC	○	○	1
117	CNRAH-19521T	GLASS SHELF PC	○	○	1
118	CNRAH-19517B	FINE FRESH CASE(LB)	○	○	1
119	CNRBH-11162T	FINE FRESH CASSETTE AS.	○	○	1
121	CNRAH-19518B	FC TOP CASE(LB)	○	○	1
122	CNRAH-19515B	FC BOTTOM CASE(LB)	○	○	2
128	CNRBH-10241W	ICE TRAY AS.	○	○	1
129	CNRAH-13308D	ICE BOX	○	○	1
131	CNRAD-13785D	EGG TRAY	○	○	2
132	CNRAH-19519D	FREE RACK	○	○	4
133	CNRAH-19520L	BOTTLE SHELF PC	○	○	2
136	CNRBD-18359M	PC DOOR UNIT-MS	○	—	1
	CNRBD-18359W	PC DOOR UNIT -W	—	○	
137	CNRAD-26578T	PC DOOR GASKET	○	○	1
138	CNRAD-26558T	FC DOOR GASKET	○	○	1
142	CNRBD-18361M	FC DOOR UNIT-MS	○	—	1
	CNRBD-18361W	FC DOOR UNIT -W	—	○	
143	CNRBD-19954T	SLIDE STOPPER PC AS.	○	○	2
150	CNRAD-26650T	EMBLEM MARK PLATE	○	○	1
151	CNRBE-10084T	HANDLE BASE AS.	○	○	1
152	CNRAE-11679G	HANDLE COVER PC(PAINT)(TG)	○	—	1
	CNRAE-11679W	HANDLE COVER PC(PAINT)(WG)	—	○	

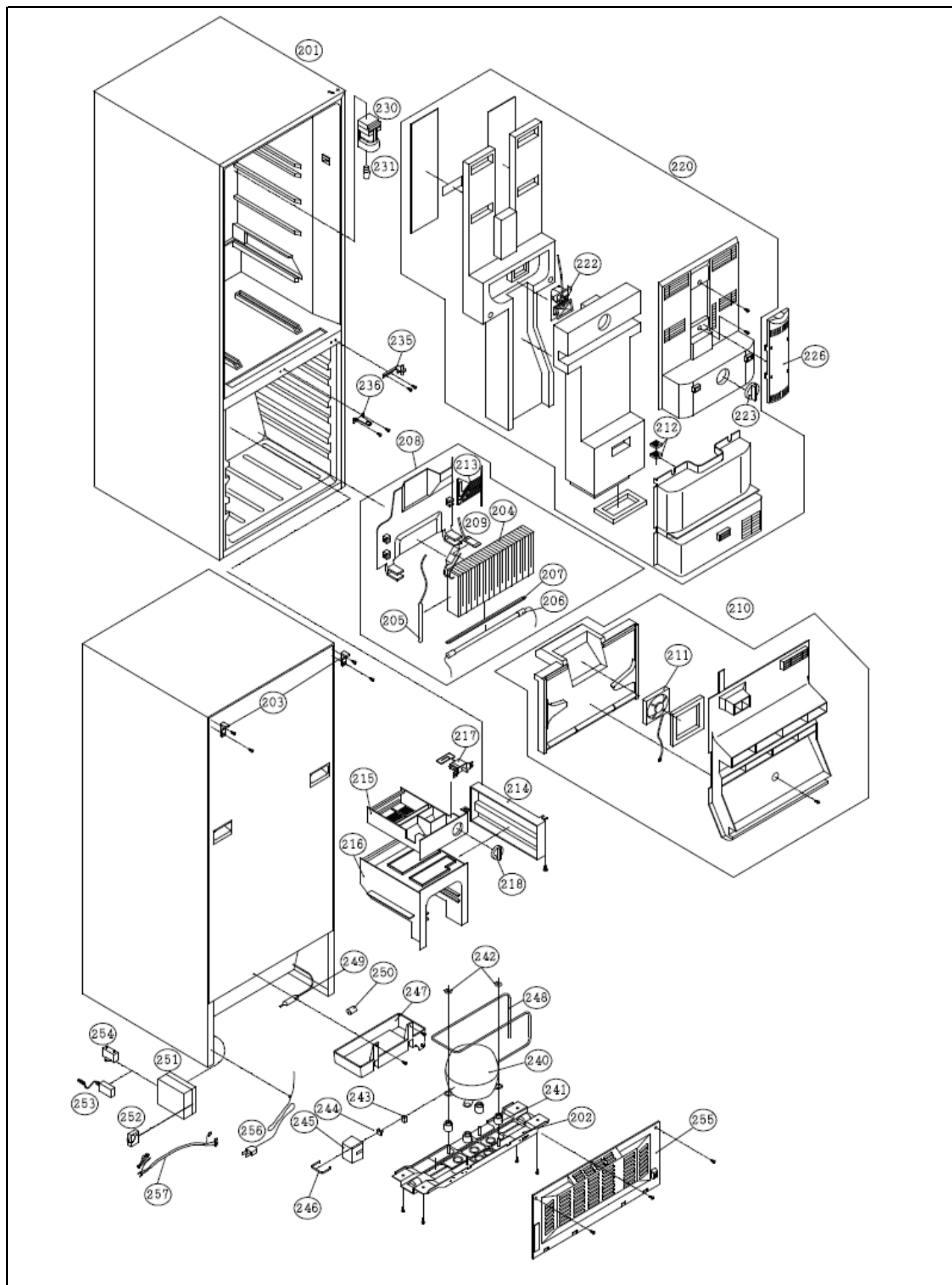
6.1.10 Replacement Parts List

Ref.No	Service Parts No.	Parts Name & Description	B651BR-S4	B651BR-W4	B651BR-X4	B651BR-C4	PCS/SET
101	CNRAE-11684T	HINGE TOP COVER -T	○	—	—	—	1
	CNRAE-11684W	HINGE TOP COVER -W	—	○	—	—	
	CNRAE-11684R	HINGE TOP COVER -BR	—	—	○	—	
	CNRAE-11684C	HINGE TOP COVER -C	—	—	—	○	
103	CNRAE-11660T	HINGE TOP	○	○	○	○	1
104	CNRAG-11526T	DOOR SW.	○	○	○	○	1
106	CNRBC-25418T	FRAME CASTER AS. R.	○	○	○	○	1
108,111	CNRAC-14832T	ADJUSTER BOLT.	○	○	○	○	1
109	CNRBC-18180T	FRAME CASTER AS. L.	○	○	○	○	1
112	CNRAH-19521T	GLASS SHELF PC	○	○	○	○	2
113	CNRAH-19514B	CRISPER(LB)	○	○	○	○	1
114	CNRBH-11116T	CASSETTE HERB AS.	○	○	○	○	1
116	CNRAH-19516T	PLATE MID PC	○	○	○	○	1
117	CNRAH-19521T	GLASS SHELF PC	○	○	○	○	1
118	CNRAH-19517B	FINE FRESH CASE(LB)	○	○	○	○	1
119	CNRBH-11162T	FINE FRESH CASSETTE AS.	○	○	○	○	1
121	CNRAH-19518B	FC TOP CASE(LB)	○	○	○	○	1
122	CNRAH-19515B	FC BOTTOM CASE(LB)	○	○	○	○	2
128	CNRBH-10241W	ICE TRAY AS.	○	○	○	○	1
129	CNRAH-13308D	ICE BOX	○	○	○	○	1
131	CNRAD-13785D	EGG TRAY	○	○	○	○	2
132	CNRAH-19519D	FREE RACK	○	○	○	○	4
133	CNRAH-19520L	BOTTLE SHELF PC	○	○	○	○	2
136	CNRBD-18359M	PC DOOR UNIT-MS	○	—	—	—	1
	CNRBD-18359W	PC DOOR UNIT -W	—	○	—	—	
	CNRBD-18359S	PC DOOR UNIT -S	—	—	○	—	
	CNRBD-18359C	PC DOOR UNIT -C	—	—	—	○	
137	CNRAD-26578T	PC DOOR GASKET	○	○	○	○	1
138	CNRAD-26558T	FC DOOR GASKET	○	○	○	○	1
142	CNRBD-18361M	FC DOOR UNIT-MS	○	—	—	—	1
	CNRBD-18361W	FC DOOR UNIT -W	—	○	—	—	
	CNRBD-18361S	FC DOOR UNIT -S	—	—	○	—	
	CNRBD-18361C	FC DOOR UNIT -C	—	—	—	○	
143	CNRBD-19954T	SLIDE STOPPER PC AS.	○	○	○	○	2
150	CNRAD-26650T	EMBLEM MARK PLATE	○	○	○	○	1
151	CNRBE-10084T	HANDLE BASE AS.	○	○	○	○	1
152	CNRAE-11679G	HANDLE COVER PC(PAINT)(TG)	○	—	—	—	1
	CNRAE-11679W	HANDLE COVER PC(PAINT)(WG)	—	○	—	—	
	CNRAE-11679C	HANDLE COVER PC(PAINT)(C)	—	—	○	—	
	CNRAE-11679B	HANDLE COVER PC(PAINT)(B)	—	—	—	○	

6.1.11 Replacement Parts List

Ref.No	Service Parts No.	Parts Name & Description	B53M1-S4	B651G-S4,S7,S9	B651G-X7	PCS/SET
101	CNRAE-11684T	HINGE TOP COVER -T	○	○	—	1
	CNRAE-11684R	HINGE TOP COVER -BR	—	—	○	
103	CNRAE-11660T	HINGE TOP	○	○	○	1
104	CNRAG-11526T	DOOR SW.	○	○	○	1
106	CNRBC-25418T	FRAME CASTER AS. R.	○	○	○	1
108,111	CNRAC-14831T	ADJUSTER BOLT.	○	○	○	1
109	CNRBC-18180T	FRAME CASTER AS. L.	○	○	○	1
112	CNRAH-19521T	GLASS SHELF PC	○	○	○	2
113	CNRAH-19514B	CRISPER(LB)	○	○	○	1
114	CNRBH-11116T	CASSETTE HERB AS.	○	○	○	1
116	CNRAH-19516T	PLATE MID PC	○	○	○	1
117	CNRAH-19521T	GLASS SHELF PC	○	○	○	1
118	CNRAH-19517B	FINE FRESH CASE(LB)	○	○	○	1
119	CNRBH-11162T	FINE FRESH CASSETTE AS.	○	○	○	1
121	CNRAH-19518B	FC TOP CASE(LB)	○	○	○	1
122	CNRAH-19515B	FC BOTTOM CASE(LB)	○	○	○	2
128	CNRBH-10241W	ICE TRAY AS.	○	○	○	1
129	CNRAH-13308D	ICE BOX	○	○	○	1
131	CNRAD-13785D	EGG TRAY	○	○	○	2
132	CNRAH-19519D	FREE RACK	○	○	○	4
133	CNRAH-19520L	BOTTLE SHELF PC	○	○	○	2
136	CNRBD-18359M	PC DOOR UNIT-MS	○	○	—	1
	CNRBD-18359S	PC DOOR UNIT-S	—	—	○	
137	CNRAD-26578T	PC DOOR GASKET	○	○	○	1
138	CNRAD-26558T	FC DOOR GASKET	○	○	○	1
142	CNRBD-18361M	FC DOOR UNIT-MS	○	○	—	1
	CNRBD-18361S	FC DOOR UNIT-S	—	—	○	
143	CNRBD-19954T	SLIDE STOPPER PC AS.	○	○	○	2
150	CNRAD-24288T	EMBLEM MARK PLATE	○	○	○	1
151	CNRBE-10084T	HANDLE BASE AS.	○	○	○	1
152	CNRAE-11679G	HANDLE COVER PC(PAINT)(TG)	○	○	—	1
	CNRAE-11679C	HANDLE COVER PC(PAINT)(C)	—	—	○	

6.2.1 Location of Parts



6.2.2 Replacement Parts List

Ref.No	Service Parts No.	Parts Name & Description	B591B-S4	B591B-S7	B591B-S8	B591B-W4	B591B-W7	B591B-W8	PCS/SET
201	CNRBC-25485S	SHELL N LINER AS. UNIT-S	○	○	○	—	—	—	1
	CNRBC-25485W	SHELL N LINER AS. UNIT-W	—	—	—	○	○	○	
202	CNRBF-11841T	COMP. BASE N ROLLER AS.	○	○	○	○	○	○	1
203	CNRAC-13520T	SHELL HANGER	—	—	—	—	—	—	0
204	CNRAF-14091T	FIN EVAPARATOR	○	○	○	○	○	○	1
205	CNRBG-12769T	TEMP. FUSE AS.	○	○	○	○	○	○	1
206	CNRAG-11629T	HEATER AS. DEFROST(ZH0366)	○	○	○	○	○	○	1
207	CNRAG-11586T	COVER RADIANT HEATER	○	○	○	○	○	○	1
208	CNRBF-11912T	COIL AS.	○	○	○	○	○	○	1
209	CNRAG-11546T	BIMETAL THERMO	○	○	○	○	○	○	1
210	CNRBF-11874T	COVER COIL N FAN MOTOR AS.	○	○	○	○	○	○	1
211	CNRAG-11544T	FAN MOTOR DC	○	○	○	○	○	○	1
212	CNRAG-11621T	FILTER DEODORIZER	○	○	○	○	○	○	1
213	CNRAG-16089T	DUCT HEATER	○	○	○	○	○	○	1
214	CNRAH-19523T	PLATE CASE RAIL	○	○	○	○	○	○	1
215	CNRAH-20816T	CASE THERMO FC	○	○	○	○	○	○	1
216	CNRAH-19547T	ICE TRAY RAIL	○	○	○	○	○	○	1
217	CNRAG-11507T	THERMOSTAT (TBA-1011)	○	○	○	○	○	○	1
218	CNRAG-11605T	THERMO. DIAL	○	○	○	○	○	○	1
220	CNRBH-11186B	CONTROL PANEL AS.	○	○	○	○	○	○	1
222	CNRAG-11599T	BAFFLE DAMPER TH.(SD-8001)	○	○	○	○	○	○	1
223	CNRAH-20804B	DIAL THERMO. PC	○	○	○	○	○	○	1
226	CNRAH-19527B	COVER LAMP PC	○	○	○	○	○	○	1
230	CNRAG-10618T	SOCKET ROOM LAMP	○	○	○	○	○	○	1
231	CNRAG-10644T	ELECTRIC LAMP	○	○	○	○	○	○	1
235	CNRAE-11682T	HINGE CENTER P.F	○	○	○	○	○	○	1
236	CNRAE-10120T	KEY STOPPER	○	○	○	○	○	○	1
240	CNR91-25431T	RECIPROCATING COMPRESSOR	○	○	○	○	○	○	1
241	CNRAF-14138T	RUBBER GROMMET	○	○	○	○	○	○	4
242	CNR39-030111	COMPRESSOR RETAINER	○	○	○	○	○	○	2
243	CNR06-59737T	OVERLOAD PROTECTOR	○	○	○	○	○	○	1
244	CNR06-59270T	STARTING RELAY	○	○	○	○	○	○	1
245	CNR01-89953T	RELAY COVER	○	○	○	○	○	○	1
246	CNR01-24523T	COVER CLAMP	○	○	○	○	○	○	1
247	CNRAF-11201R	PAN WATER EVA.	○	○	○	○	○	○	1
248	CNRBF-13725T	PIPE PAN WATER EVA. AS.	○	○	○	○	○	○	1
249	CNRAF-14103T	DRYER	○	○	○	○	○	○	1
250	CNR05-28625T	DAMPING GUM	○	○	○	○	○	○	1
251	CNRAF-12344T	TIMER BOX	○	○	○	○	○	○	1
252	CNRAG-11633T	DEFROST TIMER	○	○	○	○	○	○	1
253	CNRAG-11624T	TRANSFORMER	○	○	○	○	○	○	1
254	CNRAG-11645T	RUNNING CONDENSER	○	○	○	○	○	○	1
255	CNRAF-12488T	COMP. COVER	—	—	—	—	—	—	0
256	CNRBG-15168T	AC CORD AS.	—	○	—	—	○	—	1
	CNRBG-11205T	AC CORD AS.	—	—	—	—	—	—	
	CNRBG-12767T	AC CORD AS.	○	—	○	○	—	○	
257	CNRBG-16808T	HARNESS AS. RELAY	○	○	○	○	○	○	1

6.2.3 Replacement Parts List

Ref.No	Service Parts No.	Parts Name & Description	B591BW-S7	B591BW-W7	B591BW-X7	PCS/SET
201	CNRBC-28839S	SHELL N LINER AS. UNIT-S	○	—	—	1
	CNRBC-28839W	SHELL N LINER AS. UNIT-W	—	○	—	
	CNRBC-28839X	SHELL N LINER AS. UNIT-X	—	—	○	
202	CNRBF-11841T	COMP. BASE N ROLLER AS.	○	○	○	1
203	CNRAC-13520T	SHELL HANGER	—	—	—	0
204	CNRAF-14091T	FIN EVAPARATOR	○	○	○	1
205	CNRBG-12769T	TEMP. FUSE AS.	○	○	○	1
206	CNRAG-11629T	HEATER AS. DEFROST(ZH0366)	○	○	○	1
207	CNRAG-11586T	COVER RADIANT HEATER	○	○	○	1
208	CNRBF-11912T	COIL AS.	○	○	○	1
209	CNRAG-11546T	BIMETAL THERMO	○	○	○	1
210	CNRBF-11874T	COVER COIL N FAN MOTOR AS.	○	○	○	1
211	CNRAG-11544T	FAN MOTOR DC	○	○	○	1
212	CNRAG-11621T	FILTER DEODORIZER	○	○	○	1
213	CNRAG-16089T	DUCT HEATER	○	○	○	1
214	CNRAH-19523T	PLATE CASE RAIL	○	○	○	1
215	CNRAH-20816T	CASE THERMO FC	○	○	○	1
216	CNRAH-19547T	ICE TRAY RAIL	○	○	○	1
217	CNRAG-11507T	THERMOSTAT (TBA-1011)	○	○	○	1
218	CNRAG-11605T	THERMO. DIAL	○	○	○	1
220	CNRBH-11189B	CONTROL PANEL AS.	○	○	○	1
222	CNRAG-11597T	BAFFLE DAMPER TH.	○	○	○	1
223	CNRAH-20903B	DIAL THERMO. PC	○	○	○	1
226	CNRAH-19527B	COVER LAMP PC	○	○	○	1
230	CNRAG-10618T	SOCKET ROOM LAMP	○	○	○	1
231	CNRAG-10644T	ELECTRIC LAMP	○	○	○	1
235	CNRAE-11682T	HINGE CENTER P.F	○	○	○	1
236	CNRAE-10120T	KEY STOPPER	○	○	○	1
240	CNR91-25431T	RECIPROCATING COMPRESSOR	○	○	○	1
241	CNRAF-14138T	RUBBER GROMMET	○	○	○	4
242	CNR39-030111	COMPRESSOR RETAINER	○	○	○	2
243	CNR06-59737T	OVERLOAD PROTECTOR	○	○	○	1
244	CNR06-59270T	STARTING RELAY	○	○	○	1
245	CNR01-89953T	RELAY COVER	○	○	○	1
246	CNR01-24523T	COVER CLAMP	○	○	○	1
247	CNRAF-11201R	PAN WATER EVA.	○	○	○	1
248	CNRBF-13725T	PIPE PAN WATER EVA. AS.	○	○	○	1
249	CNRAF-14103T	DRYER	○	○	○	1
250	CNR05-28625T	DAMPING GUM	○	○	○	1
251	CNRAF-12344T	TIMER BOX	○	○	○	1
252	CNRAG-11633T	DEFROST TIMER	○	○	○	1
253	CNRAG-11624T	TRANSFORMER	○	○	○	1
254	CNRAG-11645T	RUNNING CONDENSER	○	○	○	1
255	CNRAF-12488T	COMP. COVER	—	—	—	0
256	CNRBG-15168T	AC CORD AS.	○	○	○	1
257	CNRBG-16808T	HARNESS AS. RELAY	○	○	○	1

6.2.4 Replacement Parts List

Ref.No	Service Parts No.	Parts Name & Description	B591BS-S7	B591BS-W7	PCS/SET
201	CNRBC-25488S	SHELL N LINER AS. UNIT-S	○	—	1
	CNRBC-25488W	SHELL N LINER AS. UNIT-W	—	○	
202	CNRBF-1184T	COMP. BASE N ROLLER AS.	○	○	1
203	CNRAC-13520T	SHELL HANGER	—	—	0
204	CNRAF-14091T	FIN EVAPARATOR	○	○	1
205	CNRBG-12769T	TEMP. FUSE AS.	○	○	1
206	CNRAG-11629T	HEATER AS. DEFROST(ZH0366)	○	○	1
207	CNRAG-11586T	COVER RADIANT HEATER	○	○	1
208	CNRBF-11912T	COIL AS.	○	○	1
209	CNRAG-11546T	BIMETAL THERMO. AS.	○	○	1
210	CNRBF-11874T	COVER COIL N FAN MOTOR AS.	○	○	1
211	CNRAG-11544T	FAN MOTOR DC	○	○	1
212	CNRAG-11621T	FILTER DEODORIZER	○	○	1
213	CNRAG-16089T	DUCT HEATER	○	○	1
214	CNRAH-19523T	PLATE CASE RAIL	○	○	1
215	CNRAH-20816T	CASE THERMO FC	○	○	1
216	CNRAH-19547T	ICE TRAY RAIL	○	○	1
217	CNRAG-11507T	THERMOSTAT (TBA-1011)	○	○	1
218	CNRAG-11605T	THERMO. DIAL	○	○	1
220	CNRBH-11189B	CONTROL PANEL AS.	○	○	1
222	CNRAG-11597T	BAFFLE DAMPER THER.	○	○	1
223	CNRAH-20903B	DIAL THERMO. PC	○	○	1
226	CNRAH-19527B	COVER LAMP PC	○	○	1
230	CNRAG-10618T	SOCKET ROOM LAMP	○	○	1
231	CNRAG-10644T	ELECTRIC LAMP	○	○	1
235	CNRAE-11682T	HINGE CENTER P.F	○	○	1
236	CNRAE-10120T	KEY STOPPER	—	—	0
240	CNR91-25310T	RECIPROCATING COMPRESSOR	○	○	1
241	CNRAF-14138T	GROMMET RUBBER	○	○	4
242	CNR39-030111	COMPRESSOR RETAINER	○	○	2
243	CNR06-59291T	OVERLOAD PROTECTOR	○	○	1
244	CNR06-59270T	STARTING RELAY	○	○	1
245	CNR01-89953T	RELAY COVER	○	○	1
246	CNR01-24523T	COVER CLAMP	○	○	1
247	CNRAF-11201R	PAN WATER EVA.	○	○	1
248	CNRBF-13725T	PIPE PAN WATER EVA. AS.	○	○	1
249	CNRAF-14103T	DRYER	○	○	1
250	CNR05-28625T	DAMPING GUM	○	○	1
251	CNRAF-12344T	TIMER BOX	○	○	1
252	CNRAG-11633T	DEFROST TIMER	○	○	1
253	CNRAG-11624T	TRANSFORMER	○	○	1
254	CNRAG-11645T	RUNNING CONDENSER	○	○	1
255	CNRAF-12488T	COMP. COVER	—	—	0
256	CNRBG-15168T	AC CORD AS.	○	○	1
257	CNRBG-16808T	HARNESS AS. RELAY	○	○	1

6.2.5 Replacement Parts List

Ref.No	Service Parts No.	Parts Name & Description	B591BR-S4	B591BR-W4	B591BR-X4	B591BR-C4	PCS/SET
201	CNRBC-25486S	SHELL N LINER AS. UNIT-S	○	—	—	—	1
	CNRBC-25486W	SHELL N LINER AS. UNIT-W	—	○	—	—	
	CNRBC-25486X	SHELL N LINER AS. UNIT-X	—	—	○	—	
	CNRBC-25486C	SHELL N LINER AS. UNIT-C	—	—	—	○	
202	CNRBF-11841T	COMP. BASE N ROLLER AS.	○	○	○	○	1
203	CNRAC-13520T	SHELL HANGER	—	—	—	—	0
204	CNRAF-14091T	FIN EVAPARATOR	○	○	○	○	1
205	CNRBG-12769T	TEMP. FUSE AS.	○	○	○	○	1
206	CNRAG-11629T	HEATER AS. DEFROST(ZH0366)	○	○	○	○	1
207	CNRAG-11586T	COVER RADIANT HEATER	○	○	○	○	1
208	CNRBF-11916T	COIL AS.	○	○	○	○	1
209	CNRAG-11546T	BIMETAL THERMO.	○	○	○	○	1
210	CNRBF-11874T	COVER COIL N FAN MOTOR AS.	○	○	○	○	1
211	CNRAG-11544T	FAN MOTOR DC	○	○	○	○	1
212	CNRAG-11621T	FILTER DEODORIZER	○	○	○	○	1
213	CNRAG-16089T	DUCT HEATER	○	○	○	○	1
214	CNRAH-19523T	PLATE CASE RAIL	○	○	○	○	1
215	CNRAH-20816T	CASE THERMO FC	○	○	○	○	1
216	CNRAH-19547T	ICE TRAY RAIL	○	○	○	○	1
217	CNRAG-11507T	THERMOSTAT (TBA-1011)	○	○	○	○	1
218	CNRAG-11605T	THERMO. DIAL	○	○	○	○	1
220	CNRBH-11186B	CONTROL PANEL AS.	○	○	○	○	1
222	CNRAG-11599T	BAFFLE DAMPER TH.(SD-8001)	○	○	○	○	1
223	CNRAH-20804B	DIAL THERMO. PC	○	○	○	○	1
226	CNRAH-19527B	COVER LAMP PC	○	○	○	○	1
230	CNRAG-10618T	SOCKET ROOM LAMP	○	○	○	○	1
231	CNRAG-10644T	ELECTRIC LAMP	○	○	○	○	1
235	CNRAE-11682T	HINGE CENTER P.F	○	○	○	○	1
236	CNRAE-10120T	KEY STOPPER	—	—	—	—	0
240	CNR91-25431T	RECIPROCATING COMPRESSOR	○	○	○	○	1
241	CNRAF-14138T	GROMMET RUBBER	○	○	○	○	4
242	CNR39-030111	COMPRESSOR RETAINER	○	○	○	○	2
243	CNR06-59737T	OVERLOAD PROTECTOR	○	○	○	○	1
244	CNR06-59270T	STARTING RELAY	○	○	○	○	1
245	CNR01-89953T	RELAY COVER	○	○	○	○	1
246	CNR01-24523T	COVER CLAMP	○	○	○	○	1
247	CNRAF-11201R	PAN WATER EVA.	○	○	○	○	1
248	CNRBF-11363T	PIPE PAN WATER EVA. AS.	○	○	○	○	1
249	CNRAF-14103T	DRYER	○	○	○	○	1
250	CNR05-28625T	DAMPING GUM	○	○	○	○	1
251	CNRAF-12344T	TIMER BOX	○	○	○	○	1
252	CNRAG-11633T	DEFROST TIMER	○	○	○	○	1
253	CNRAG-11624T	TRANSFORMER	○	○	○	○	1
254	CNRAG-11645T	RUNNING CONDENSER	○	○	○	○	1
255	CNRAF-12488T	COMP. COVER	—	—	○	—	1
256	CNRBG-12767T	AC CORD AS.	○	○	○	○	1
257	CNRBG-16809T	HARNESS AS. RELAY	○	○	○	○	1

6.2.6-1 Replacement Parts List

Ref.No	Service Parts No	Parts Name & Description	B48M1-S4	B591G-S4	B591G-S6	B591G-S7	B591G-S9	PCS/SET
201	CNRBC-25484S	SHELL N LINER AS. UNIT-S	○	○	○	○	○	1
202	CNRBF-11841T	COMP. BASE N ROLLER AS.	○	○	○	○	○	1
203	CNRAC-13520T	SHELL HANGER	—	—	—	○	—	2
204	CNRAF-14091T	FIN EVAPARATOR	○	○	○	○	○	1
205	CNRBG-12769T	TEMP. FUSE AS.	○	○	○	○	○	1
206	CNRAG-11629T	HEATER AS. DEFROST(ZH0366)	○	○	○	○	○	1
207	CNRAG-11586T	COVER RADIANT HEATER	○	○	○	○	○	1
208	CNRBF-11912T	COIL AS.	○	○	○	○	○	1
209	CNRAG-11546T	BIMETAL THERMO.	○	○	○	○	○	1
210	CNRBF-11874T	COVER COIL N FAN MOTOR AS.	○	○	○	○	○	1
211	CNRAG-11544T	FAN MOTOR DC	○	○	○	○	○	1
212	CNRAG-11621T	FILTER DEODORIZER	○	○	○	○	○	1
213	CNRAG-16089T	DUCT HEATER	○	○	○	○	○	1
214	CNRAH-19523T	PLATE CASE RAIL	○	○	○	○	○	1
215	CNRAH-20816T	CASE THERMO FC	○	○	○	○	○	1
216	CNRAH-19547T	ICE TRAY RAIL	○	○	○	○	○	1
217	CNRAG-11507T	THERMOSTAT (TBA-1011)	○	○	○	○	○	1
218	CNRAG-11605T	THERMO. DIAL	○	○	○	○	○	1
220	CNRBH-11186B	CONTROL PANEL AS.	○	○	○	○	○	1
222	CNRAG-11599T	BAFFLE DAMPER TH.(SD-8001)	○	○	○	○	○	1
223	CNRAH-20804B	DIAL THERMO. PC	○	○	○	○	○	1
226	CNRAH-19527B	COVER LAMP PC	○	○	○	—	○	1
230	CNRAG-10618T	SOCKET ROOM LAMP	○	○	○	○	○	1
231	CNRAG-10644T	ELECTRIC LAMP	○	○	○	○	○	1
235	CNRAE-11682T	HINGE CENTER P.F	○	○	○	○	○	1
236	CNRAE-10120T	KEY STOPPER	—	—	—	—	—	0
240	CNR91-25431T	RECIPROCATING COMPRESSOR	○	○	○	○	—	1
	CNR91-25310T	RECIPROCATING COMPRESSOR	—	—	—	—	○	
241	CNRAF-14138T	GROMMET RUBBER	○	○	○	○	○	4
242	CNR39-030111	COMPRESSOR RETAINER	○	○	○	○	○	2
243	CNR06-59737T	OVERLOAD PROTECTOR	○	○	○	○	—	1
	CNR06-59291T	OVERLOAD PROTECTOR	—	—	—	—	○	
244	CNR06-59270T	STARTING RELAY	○	○	○	○	○	1
245	CNR01-89953T	RELAY COVER	○	○	○	○	○	1
246	CNR01-24523T	COVER CLAMP	○	○	○	○	○	1
247	CNRAF-11201R	PAN WATER EVA.	○	○	○	○	○	1
248	CNRBF-11363T	PIPE PAN WATER EVA. AS.	○	○	○	○	○	1
249	CNRAF-14103T	DRYER	○	○	○	○	○	1
250	CNR05-28625T	DAMPING GUM	○	○	○	○	○	1
251	CNRAF-12344T	TIMER BOX	○	○	○	○	○	1
252	CNRAG-11633T	DEFROST TIMER	○	○	○	○	○	1
253	CNRAG-11624T	TRANSFORMER	○	○	○	○	○	1
254	CNRAG-11645T	RUNNING CONDENSER	○	○	○	○	○	1
255	CNRAF-12488T	COMP. COVER	○	○	○	○	○	1
256	CNRBG-11201T	AC CORD AS.	○	—	—	—	—	1
	CNRBG-12767T	AC CORD AS.	—	○	—	—	—	
	CNRBG-15168T	AC CORD AS.	—	—	○	—	—	
	CNRBG-16787T	AC CORD AS.	—	—	—	○	○	
257	CNRBG-16808T	HARNESS AS. RELAY	○	○	○	○	○	1

6.2.6-2 Replacement Parts List

Ref.No	Service Parts No	Parts Name & Description	B591G-X4	B591G-X6	B591G-X7	PCS/SET
201	CNRBC-25484X	SHELL N LINER AS. UNIT-S	○	○	○	1
202	CNRBF-11841T	COMP. BASE N ROLLER AS.	○	○	○	1
203	CNRAC-13520T	SHELL HANGER	—	—	○	2
204	CNRAF-14091T	FIN EVAPARATOR	○	○	○	1
205	CNRBG-12769T	TEMP. FUSE AS.	○	○	○	1
206	CNRAG-11629T	HEATER AS. DEFROST(ZH0366)	○	○	○	1
207	CNRAG-11586T	COVER RADIANT HEATER	○	○	○	1
208	CNRBF-11912T	COIL AS.	○	○	○	1
209	CNRAG-11546T	BIMETAL THERMO.	○	○	○	1
210	CNRBF-11874T	COVER COIL N FAN MOTOR AS.	○	○	○	1
211	CNRAG-11544T	FAN MOTOR DC	○	○	○	1
212	CNRAG-11621T	FILTER DEODORIZER	○	○	○	1
213	CNRAG-16089T	DUCT HEATER	○	○	○	1
214	CNRAH-19523T	PLATE CASE RAIL	○	○	○	1
215	CNRAH-20816T	CASE THERMO FC	○	○	○	1
216	CNRAH-19547T	ICE TRAY RAIL	○	○	○	1
217	CNRAG-11507T	THERMOSTAT (TBA-1011)	○	○	○	1
218	CNRAG-11605T	THERMO. DIAL	○	○	○	1
220	CNRBH-11186B	CONTROL PANEL AS.	○	○	○	1
222	CNRAG-11599T	BAFFLE DAMPER TH.(SD-8001)	○	○	○	1
223	CNRAH-20804B	DIAL THERMO. PC	○	○	○	1
226	CNRAH-19527B	COVER LAMP PC	○	○	—	1
230	CNRAG-10618T	SOCKET ROOM LAMP	○	○	○	1
231	CNRAG-10644T	ELECTRIC LAMP	○	○	○	1
235	CNRAE-11682T	HINGE CENTER P.F	○	○	○	1
236	CNRAE-10120T	KEY STOPPER	—	—	—	0
240	CNR91-25431T	RECIPROCATING COMPRESSOR	○	○	○	1
	CNR91-25310T	RECIPROCATING COMPRESSOR	—	—	—	
241	CNRAF-14138T	GROMMET RUBBER	○	○	○	4
242	CNR39-030111	COMPRESSOR RETAINER	○	○	○	2
243	CNR06-59737T	OVERLOAD PROTECTOR	○	○	○	1
	CNR06-59291T	OVERLOAD PROTECTOR	—	—	—	
244	CNR06-59270T	STARTING RELAY	○	○	○	1
245	CNR01-89953T	RELAY COVER	○	○	○	1
246	CNR01-24523T	COVER CLAMP	○	○	○	1
247	CNRAF-11201R	PAN WATER EVA.	○	○	○	1
248	CNRBF-11363T	PIPE PAN WATER EVA. AS.	○	○	○	1
249	CNRAF-14103T	DRYER	○	○	○	1
250	CNR05-28625T	DAMPING GUM	○	○	○	1
251	CNRAF-12344T	TIMER BOX	○	○	○	1
252	CNRAG-11633T	DEFROST TIMER	○	○	○	1
253	CNRAG-11624T	TRANSFORMER	○	○	○	1
254	CNRAG-11645T	RUNNING CONDENSER	○	○	○	1
255	CNRAF-12488T	COMP. COVER	○	○	○	1
256	CNRBG-12767T	AC CORD AS.	○	—	—	1
	CNRBG-16787T	AC CORD AS.	—	—	○	
	CNRBG-15168T	AC CORD AS.		○		
257	CNRBG-16808T	HARNESS AS. RELAY	○	○	○	1

6.2.7 Replacement Parts List

Ref.No	Service Parts No.	Parts Name & Description	B651B -S4	B651B -S7	B651B -S8	B651B -W4	B651B -W7	B651B -W8	PCS/SET
201	CNRBC-25478S	SHELL N LINER AS. UNIT-S	○	○	○	—	—	—	1
	CNRBC-25478W	SHELL N LINER AS. UNIT-W	—	—	—	○	○	○	
202	CNRBF-11371T	COMP. BASE N ROLLER AS.	○	○	○	○	○	○	1
203	CNRAC-13520T	SHELL HANGER	—	—	—	—	—	—	0
204	CNRAF-14091T	FIN EVAPARATOR	○	○	○	○	○	○	1
205	CNRBG-12769T	TEMP. FUSE AS.	○	○	○	○	○	○	1
206	CNRAG-11629T	HEATER AS. DEFROST(ZH0366)	○	○	○	○	○	○	1
207	CNRAG-11586T	COVER RADIANT HEATER	○	○	○	○	○	○	1
208	CNRBF-11912T	COIL AS.	○	○	○	○	○	○	1
209	CNRAG-11546T	BIMETAL THERMO.	○	○	○	○	○	○	1
210	CNRBF-11874T	COVER COIL N FAN MOTOR AS.	○	○	○	○	○	○	1
211	CNRAG-11544T	FAN MOTOR DC	○	○	○	○	○	○	1
212	CNRAG-11621T	FILTER DEODORIZER	○	○	○	○	○	○	1
213	CNRAG-16089T	DUCT HEATER	○	○	○	○	○	○	1
214	CNRAH-19523T	PLATE CASE RAIL	○	○	○	○	○	○	1
215	CNRAH-20816T	CASE THERMO FC	○	○	○	○	○	○	1
216	CNRAH-19547T	ICE TRAY RAIL	○	○	○	○	○	○	1
217	CNRAG-11584T	THERMOSTAT (TBA-1019)	○	○	○	○	○	○	1
218	CNRAG-10191T	THERMO. DIAL	○	○	○	○	○	○	1
220	CNRBH-11187B	CONTROL PANEL AS.	○	○	○	○	○	○	1
222	CNRAG-11597T	BAFFLE DAMPER TH.(SD-8011-2)	○	○	○	○	○	○	1
223	CNRAH-19524B	DIAL THERMO. PC	○	○	○	○	○	○	1
226	CNRAH-19527B	COVER LAMP PC	○	○	○	○	○	○	1
230	CNRAG-10618T	SOCKET ROOM LAMP	○	○	○	○	○	○	1
231	CNRAG-10644T	ELECTRIC LAMP	○	○	○	○	○	○	1
235	CNRAE-11682T	HINGE CENTER P.F	○	○	○	○	○	○	1
236	ANRAE-10120T	KEY STOPPER	○	○	○	○	○	○	1
240	CNR91-25431T	RECIPROCATING COMPRESSOR	○	○	○	○	○	○	1
241	CNRAF-14138T	GROMMET RUBBER	○	○	○	○	○	○	4
242	CNR39-030111	COMPRESSOR RETAINER	○	○	○	○	○	○	2
243	CNR06-59737T	OVERLOAD PROTECTOR	○	○	○	○	○	○	1
244	CNR06-59270T	STARTING RELAY	○	○	○	○	○	○	1
245	CNR01-89953T	RELAY COVER	○	○	○	○	○	○	1
246	CNR01-24523T	COVER CLAMP	○	○	○	○	○	○	1
247	CNRAF-11201R	PAN WATER EVA.	○	○	○	○	○	○	1
248	CNRBF-11380T	PIPE PAN WATER EVA. AS.	○	○	○	○	○	○	1
249	CNRAF-14103T	DRYER	○	○	○	○	○	○	1
250	CNR05-28625T	DAMPING GUM	○	○	○	○	○	○	1
251	CNRAF-12344T	TIMER BOX	○	○	○	○	○	○	1
252	CNRAG-11633T	DEFROST TIMER	○	○	○	○	○	○	1
253	CNRAG-11624T	TRANSFORMER	○	○	○	○	○	○	1
254	CNRAG-11645T	RUNNING CONDENSER	○	○	○	○	○	○	1
255	CNRAF-14114T	COMP. COVER	—	—	—	—	—	—	0
256	CNRBG-15168T	AC CORD AS.	—	○	—	—	○	—	1
	CNRBG-12767T	AC CORD AS.	○	—	○	○	—	○	
257	CNRBG-16808T	HARNESS AS. RELAY	○	○	○	○	○	○	1

6.2.8 Replacement Parts List

Ref.No	Service Parts No.	Parts Name & Description	B651BW-S7	B651BW-W7	B651BW-X7	PCS/SET
201	CNRBC-28843S	SHELL N LINER AS. UNIT-S	○	—	—	1
	CNRBC-28843W	SHELL N LINER AS. UNIT-W	—	○	—	
	CNRBC-28843X	SHELL N LINER AS. UNIT-X	—	—	○	
202	CNRBF-11371T	COMP. BASE N ROLLER AS.	○	○	○	1
203	CNRAC-13520T	SHELL HANGER	—	—	—	0
204	CNRAF-14091T	FIN EVAPARATOR	○	○	○	1
205	CNRBG-12769T	TEMP. FUSE AS.	○	○	○	1
206	CNRAG-11629T	HEATER AS. DEFROST(ZH0366)	○	○	○	1
207	CNRAG-11586T	COVER RADIANT HEATER	○	○	○	1
208	CNRBF-11912T	COIL AS.	○	○	○	1
209	CNRAG-11546T	BIMETAL THERMO.	○	○	○	1
210	CNRBF-11874T	COVER COIL N FAN MOTOR AS.	○	○	○	1
211	CNRAG-11544T	FAN MOTOR DC	○	○	○	1
212	CNRAG-11621T	FILTER DEODORIZER	○	○	○	1
213	CNRAG-16089T	DUCT HEATER	○	○	○	1
214	CNRAH-19523T	PLATE CASE RAIL	○	○	○	1
215	CNRAH-20816T	CASE THERMO FC	○	○	○	1
216	CNRAH-19547T	ICE TRAY RAIL	○	○	○	1
217	CNRAG-11584T	THERMOSTAT (TBA-1019)	○	○	○	1
218	CNRAG-10191T	THERMO. DIAL	○	○	○	1
220	CNRBH-11189B	CONTROL PANEL AS.	○	○	○	1
222	CNRAG-11597T	BAFFLE DAMPER TH.(SD-8011-2)	○	○	○	1
223	CNRAH-20903B	DIAL THERMO. PC	○	○	○	1
226	CNRAH-19527B	COVER LAMP PC	○	○	○	1
230	CNRAG-10618T	SOCKET ROOM LAMP	○	○	○	1
231	CNRAG-10644T	ELECTRIC LAMP	○	○	○	1
235	CNRAE-11682T	HINGE CENTER P.F	○	○	○	1
236	CNRAE-10120T	KEY STOPPER	○	○	○	1
240	CNR91-25431T	RECIPROCATING COMPRESSOR	○	○	○	1
241	CNRAF-14138T	GROMMET RUBBER	○	○	○	4
242	CNR39-030111	COMPRESSOR RETAINER	○	○	○	2
243	CNR06-59737T	OVERLOAD PROTECTOR	○	○	○	1
244	CNR06-59270T	STARTING RELAY	○	○	○	1
245	CNR01-89953T	RELAY COVER	○	○	○	1
246	CNR01-24523T	COVER CLAMP	○	○	○	1
247	CNRAF-11201R	PAN WATER EVA.	○	○	○	1
248	CNRBF-11380T	PIPE PAN WATER EVA. AS.	○	○	○	1
249	CNRAF-14103T	DRYER	○	○	○	1
250	CNR05-28625T	DAMPING GUM	○	○	○	1
251	CNRAF-12344T	TIMER BOX	○	○	○	1
252	CNRAG-11633T	DEFROST TIMER	○	○	○	1
253	CNRAG-11624T	TRANSFORMER	○	○	○	1
254	CNRAG-11645T	RUNNING CONDENSER	○	○	○	1
255	CNRAF-14114T	COMP. COVER	—	—	○	1
256	CNRBG-15168T	AC CORD AS.	○	○	○	1
257	CNRBG-16808T	HARNESS AS. RELAY	○	○	○	1

6.2.9 Replacement Parts List

Ref.No	Service Parts No.	Parts Name & Description	B651BS-S7	B651BS-W7	PCS/SET
201	CNRBC-25487S	SHELL N LINER AS. UNIT-S	○	—	1
	CNRBC-25487W	SHELL N LINER AS. UNIT-W	—	○	
202	CNRBF-11371T	COMP. BASE N ROLLER AS.	○	○	1
203	CNRAC-13520T	SHELL HANGER	—	—	0
204	CNRAF-14091T	FIN EVAPARATOR	○	○	1
205	CNRBG-12794T	TEMP. FUSE AS.	○	○	1
206	CNRAG-11629T	HEATER AS. DEFROST(ZH0366)	○	○	1
207	CNRAG-11586T	COVER RADIANT HEATER	○	○	1
208	CNRBF-11912T	COIL AS.	○	○	1
209	CNRAG-11546T	BIMETAL THERMO.	○	○	1
210	CNRBF-11874T	COVER COIL N FAN MOTOR AS.	○	○	1
211	CNRAG-11544T	FAN MOTOR DC	○	○	1
212	CNRAG-11621T	FILTER DEODORIZER	○	○	1
213	CNRAG-16089T	DUCT HEATER	○	○	1
214	CNRAH-19523T	PLATE CASE RAIL	○	○	1
215	CNRAH-20816T	CASE THERMO FC	○	○	1
216	CNRAH-19547T	ICE TRAY RAIL	○	○	1
217	CNRAG-11584T	THERMOSTAT (TBA-1019)	○	○	1
218	CNRAG-10191T	THERMO. DIAL	○	○	1
220	CNRBH-11189B	CONTROL PANEL AS.	○	○	1
222	CNRAG-11597T	BAFFLE DAMPER TH.(SD-8011-2)	○	○	1
223	CNRAH-20903B	DIAL THERMO. PC	○	○	1
226	CNRAH-19527B	COVER LAMP PC	○	○	1
230	CNRAG-10618T	SOCKET ROOM LAMP	○	○	1
231	CNRAG-10644T	ELECTRIC LAMP	○	○	1
235	CNRAE-11682T	HINGE CENTER P.F	○	○	1
236	CNRAE-10120T	KEY STOPPER	—	—	0
240	CNR91-25310T	RECIPROCATING COMPRESSOR	○	○	1
241	CNRAF-14138T	GROMMET RUBBER	○	○	4
242	CNR39-030111	COMPRESSOR RETAINER	○	○	2
243	CNR06-59291T	OVERLOAD PROTECTOR	○	○	1
244	CNR06-59270T	STARTING RELAY	○	○	1
245	CNR01-89953T	RELAY COVER	○	○	1
246	CNR01-24523T	COVER CLAMP	○	○	1
247	CNRAF-11201R	PAN WATER EVA.	○	○	1
248	CNRBF-11380T	PIPE PAN WATER EVA. AS.	○	○	1
249	CNRAF-14103T	DRYER	○	○	1
250	CNR05-28625T	DAMPING GUM	○	○	1
251	CNRAF-12344T	TIMER BOX	○	○	1
252	CNRAG-11633T	DEFROST TIMER	○	○	1
253	CNRAG-11624T	TRANSFORMER	○	○	1
254	CNRAG-11645T	RUNNING CONDENSER	○	○	1
255	CNRAF-14114T	COMP. COVER	—	—	0
256	CNRBG-15168T	AC CORD AS.	○	○	1
257	CNRBG-16808T	HARNESS AS. RELAY	○	○	1

6.2.10 Replacement Parts List

Ref.No	Service Parts No.	Parts Name & Description	B651BR-S4	B651BR-W4	B651BR-X4	B651BR-C4	PCS/SET
201	CNRBC-25479S	SHELL N LINER AS. UNIT-S	○	—	—	—	1
	CNRBC-25479W	SHELL N LINER AS. UNIT-W	—	○	—	—	
	CNRBC-25479X	SHELL N LINER AS. UNIT-X	—	—	○	—	
	CNRBC-25479C	SHELL N LINER AS. UNIT-C	—	—	—	○	
202	CNRBF-11371T	COMP. BASE N ROLLER AS.	○	○	○	○	1
203	CNRAC-13520T	SHELL HANGER	—	—	—	—	0
204	CNRAF-14091T	FIN EVAPARATOR	○	○	○	○	1
205	CNRBG-12769T	TEMP. FUSE AS.	○	○	○	○	1
206	CNRAG-11629T	HEATER AS. DEFROST(ZH0366)	○	○	○	○	1
207	CNRAG-11586T	COVER RADIANT HEATER	○	○	○	○	1
208	CNRBF-11916T	COIL AS.	○	○	○	○	1
209	CNRAG-11546T	BIMETAL THERMO.	○	○	○	○	1
210	CNRBF-11874T	COVER COIL N FAN MOTOR AS.	○	○	○	○	1
211	CNRAG-11544T	FAN MOTOR DC	○	○	○	○	1
212	CNRAG-11621T	FILTER DEODORIZER	○	○	○	○	1
213	CNRAG-16089T	DUCT HEATER	○	○	○	○	1
214	CNRAH-19523T	PLATE CASE RAIL	○	○	○	○	1
215	CNRAH-20816T	CASE THERMO FC	○	○	○	○	1
216	CNRAH-19547T	ICE TRAY RAIL	○	○	○	○	1
217	CNRAG-11584T	THERMOSTAT (TBA-1019)	○	○	○	○	1
218	CNRAG-10191T	THERMO. DIAL	○	○	○	○	1
220	CNRBH-11187B	CONTROL PANEL AS.	○	○	○	○	1
222	CNRAG-11597T	BAFFLE DAMPER TH.(SD-8011-2)	○	○	○	○	1
223	CNRAH-19524B	DIAL THERMO. PC	○	○	○	○	1
226	CNRAH-19527B	COVER LAMP PC	○	○	○	○	1
230	CNRAG-10618T	SOCKET ROOM LAMP	○	○	○	○	1
231	CNRAG-10644T	ELECTRIC LAMP	○	○	○	○	1
235	CNRAE-11682T	HINGE CENTER P.F	○	○	○	○	1
236	CNRAE-10120T	KEY STOPPER	—	—	—	—	0
240	CNR91-25431T	RECIPROCATING COMPRESSOR	○	○	○	○	1
241	CNRAF-14138T	GROMMET RUBBER	○	○	○	○	4
242	CNR39-030111	COMPRESSOR RETAINER	○	○	○	○	2
243	CNR06-59737T	OVERLOAD PROTECTOR	○	○	○	○	1
244	CNR06-59270T	STARTING RELAY	○	○	○	○	1
245	CNR01-89953T	RELAY COVER	○	○	○	○	1
246	CNR01-24523T	COVER CLAMP	○	○	○	○	1
247	CNRAF-11201R	PAN WATER EVA.	○	○	○	○	1
248	CNRBF-11363T	PIPE PAN WATER EVA. AS.	○	○	○	○	1
249	CNRAF-14103T	DRYER	○	○	○	○	1
250	CNR05-28625T	DAMPING GUM	○	○	○	○	1
251	CNRAF-12344T	TIMER BOX	○	○	○	○	1
252	CNRAG-11633T	DEFROST TIMER	○	○	○	○	1
253	CNRAG-11624T	TRANSFORMER	○	○	○	○	1
254	CNRAG-11645T	RUNNING CONDENSER	○	○	○	○	1
255	CNRAF-14114T	COMP. COVER	—	—	○	—	1
256	CNRBG-12767T	AC CORD AS.	○	○	○	○	1
257	CNRBG-16809T	HARNESS AS. RELAY	○	○	○	○	1

6.2.11 Replacement Parts List

Ref.No	Service Parts No	Parts Name & Description	B53M1-S4	B651G-S4	B651G-S7	B651G-S9	B651G-X7	PCS/SET
201	CNRBC-25477S	SHELL N LINER AS. UNIT-S	○	○	○	○	—	1
	CNRBC-25477X	SHELL N LINER AS. UNIT-X	—	—	—	—	○	
202	CNRBF-11371T	COMP. BASE N ROLLER AS.	○	○	○	○	○	1
203	CNRAC-13520T	SHELL HANGER	—	—	○	—	—	2
204	CNRAF-14091T	FIN EVAPARATOR	○	○	○	○	○	1
205	CNRBG-12794T	TEMP. FUSE AS.	○	○	○	○	○	1
206	CNRAG-11629T	HEATER AS. DEFROST(ZH0366)	○	○	○	○	○	1
207	CNRAG-11586T	COVER RADIANT HEATER	○	○	○	○	○	1
208	CNRBF-11912T	COIL AS.	○	○	○	○	○	1
209	CNRAG-11546T	BIMETAL THERMO.	○	○	○	○	○	1
210	CNRBF-11874T	COVER COIL N FAN MOTOR AS.	○	○	○	○	○	1
211	CNRAG-11544T	FAN MOTOR DC	○	○	○	○	○	1
212	CNRAG-11621T	FILTER DEODORIZER	○	○	○	○	○	1
213	CNRAG-16089T	DUCT HEATER	○	○	○	○	○	1
214	CNRAH-19523T	PLATE CASE RAIL	○	○	○	○	○	1
215	CNRAH-20816T	CASE THERMO FC	○	○	○	○	○	1
216	CNRAH-19547T	ICE TRAY RAIL	○	○	○	○	○	1
217	CNRAG-11584T	THERMOSTAT (TBA-1019)	○	○	○	○	○	1
218	CNRAG-10191T	THERMO. DIAL	○	○	○	○	○	1
220	CNRBH-11187B	CONTROL PANEL AS.	○	○	○	○	○	1
222	CNRAG-11597T	BAFFLE DAMPER TH.(SD-8011-2)	○	○	○	○	○	1
223	CNRAH-19524B	DIAL THERMO. PC	○	○	○	○	○	1
226	CNRAH-19527B	COVER LAMP PC	○	○	○	○	○	1
230	CNRAG-10618T	SOCKET ROOM LAMP	○	○	○	○	○	1
231	CNRAG-10644T	ELECTRIC LAMP	○	○	○	○	○	1
235	CNRAE-11682T	HINGE CENTER P.F	○	○	○	○	○	1
236	CNRAE-10120T	KEY STOPPER	—	—	—	—	—	0
240	CNR91-25431T	RECIPROCATING COMPRESSOR	○	○	○	—	—	1
	CNR91-25310T	RECIPROCATING COMPRESSOR	—	—	—	○	○	
241	CNRAF-14138T	GROMMET RUBBER	○	○	○	○	○	4
242	CNR39-030111	COMPRESSOR RETAINER	○	○	○	○	○	2
243	CNR06-59737T	OVERLOAD PROTECTOR	○	○	○	—	—	1
	CNR06-59291T	OVERLOAD PROTECTOR	—	—	—	○	○	
244	CNR06-59270T	STARTING RELAY	○	○	○	○	○	1
245	CNR01-89953T	RELAY COVER	○	○	○	○	○	1
246	CNR01-24523T	COVER CLAMP	○	○	○	○	○	1
247	CNRAF-11201R	PAN WATER EVA.	○	○	○	○	○	1
248	CNRBF-11363T	PIPE PAN WATER EVA. AS.	○	○	○	○	○	1
249	CNRAF-14103T	DRYER	○	○	○	○	○	1
250	CNR05-28625T	DAMPING GUM	○	○	○	○	○	1
251	CNRAF-12344T	TIMER BOX	○	○	○	○	○	1
252	CNRAG-11633T	DEFROST TIMER	○	○	○	○	○	1
253	CNRAG-11624T	TRANSFORMER	○	○	○	○	○	1
254	CNRAG-11645T	RUNNING CONDENSER	○	○	○	○	○	1
255	CNRAF-14114T	COMP. COVER	○	○	○	○	○	1
256	CNRBG-16787T	AC CORD AS.	—	—	○	—	○	1
	CNRBG-11201T	AC CORD AS.	○	—	—	—	—	
	CNRBG-12767T	AC CORD AS.	—	○	—	—	—	
	CNRBG-10768T	AC CORD AS.	—	—	—	○	—	
257	CNRBG-16808T	HARNESS AS. RELAY	○	○	○	○	○	1