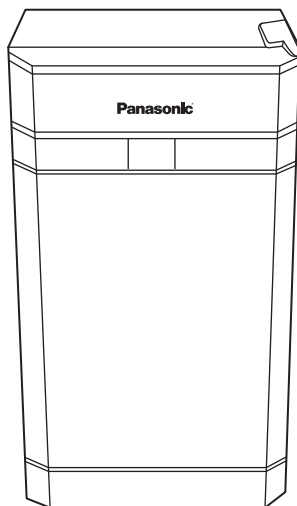


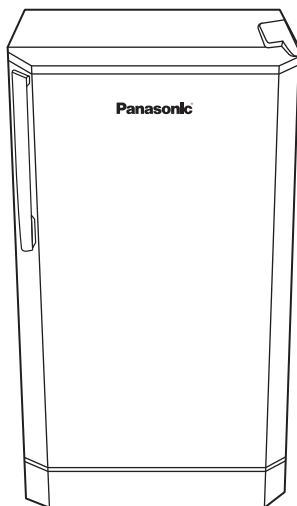
# Service Manual

## Refrigerator

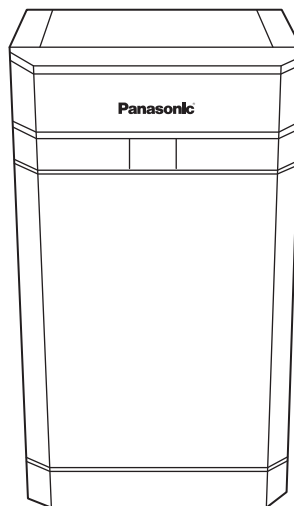
NR-AH146R  
 NR-AH186R  
 NR-AH186D  
 NR-AH186H  
 NR-AH186G  
 NR-AH186P



**D - R SERIES**



**H SERIES**



**G - P SERIES**

### Product Colour

Eco-Blue (RA, HA)  
 Eco-Gray (RH)  
 Eco-Peach (RP, HP)  
 Eco-Green (DG)  
 Eco-Silver (DS)  
 Eco-Dark Gray (GH)  
 Eco-Copper (PN)

### Destination

Thailand



CFCs have been used in refrigerant as refrigerator and the insulation materials for many years. But it is now known that these compounds which once seemed so ideal for use as cleaning agents and in refrigeration systems, destroy the earth's ozone layer as a result, an international body decided on a total worldwide ban of harmful CFCs by the end of 1995.

### ⚠ WARNING

The service information is designed for experienced repair technicians only and is not designed for use by the general public. It does not contain warnings or cautions to advise non-technical individuals of potential dangers in attempting to service a product. Products powered by electricity should be serviced or repaired only by experienced professional technicians. Any attempt to service or repair the product or products dealt within this service information by anyone else could result in serious injury or death.

### IMPORTANT SAFETY NOTICE

There are special components used in this equipment which are important for safety. These parts are marked by ⚠ in the Schematic Diagrams, Circuit Board Diagrams, Exploded Views and Replacement Parts List. It is essential that these critical parts should be replaced with manufacturer's specified parts to prevent shock, fire or other hazards. Do not modify the original design without permission of manufacturer.

---

# CONTENT







---

	<b>Page</b>
1. Safety Cautions for Repairing	3
1.1 Warning	
1.2 Caution	
2. Specification and Components	4
3. Schematic Diagram	
3.1 Wiring Diagram : NR-AH146	5
3.2 Wiring Diagram : NR-AH186	5
3.3 Wiring Connection : NR-AH146	6
3.4 Wiring Connection : NR-AH186	6
4. Performance Data	7
4.1 NR-AH146	
4.2 NR-AH186	
5. Disassembly Instruction	8
5.1 Cover Hinge Top : NR-AH146R, NR-AH186R/D, NR-AH186H	
5.2 Top Table : NR-AH186G, NR-AH186P	
5.3 Hinge Top	
6. Parts Exploded View and Replacement Parts List	
6.1 Part Exploded View : Body	9
6.2 Part Exploded View : Door	10
6.3 Part Exploded View : Packing	11
6.4 Replacement Parts List : NR-AH146	12 - 13
6.5 Replacement Parts List : NR-AH186	14 - 16







# 1. SAFETY CAUTIONS FOR REPAIRING

When you repair the refrigerator, please kindly take care for the following cautions.

## 1.1 Warning

	<p><b>Before repairing unit, unplug supply cord</b></p> <ul style="list-style-type: none"> <li>• Before you repair the refrigerator, please unplug the supply cord.</li> </ul>
	<p><b>Use authentic parts when repairing</b></p> <ul style="list-style-type: none"> <li>• When you replace the parts, please use authentic parts to replace defective parts.</li> </ul>
	<p><b>Caution during brazing</b></p> <ul style="list-style-type: none"> <li>• When you use touch for brazing, please ensure ventilation. Otherwise, you will be poisoned by carbon monoxide.</li> </ul>
	<p><b>Pay attention to using refrigerant</b></p> <ul style="list-style-type: none"> <li>• If refrigerant touches fire, the gas becomes poisonous gas.</li> </ul>
	<p><b>Pay attention to getting electricity shock</b></p> <ul style="list-style-type: none"> <li>• When you check the voltage of terminal, please do not touch the electricity part terminal.</li> <li>• When you replace the parts, please wait for 3 minutes at least for discharging capacitor.</li> </ul>
	<p><b>Check safety after repairing</b></p> <ul style="list-style-type: none"> <li>• Check the screws, parts, lead wires to take in place.</li> <li>• Check the repairing portion whether circumferential parts are damaged or not.</li> <li>• Check insulation resistance between supply plug and earth.</li> <li>• When install refrigerator, check condition of supply cord and plug.</li> <li>• Wipe off the dust on plug.</li> <li>• Cutting and seal the electric device carefully.</li> </ul>

## 1.2 Caution

	<p><b>Watch the hot parts</b></p> <ul style="list-style-type: none"> <li>• During operation and after operation, compressor and pipes are hot.</li> <li>• Also, under these condition, heater are hot.</li> <li>• Do not burn your fingers when you touch it.</li> </ul>
	<p><b>Pay attention to refrigerant</b></p> <ul style="list-style-type: none"> <li>• Do not touch liquid refrigerant. Otherwise your hands may be burnt.</li> </ul>
	<p><b>Pay attention to edge of parts</b></p> <ul style="list-style-type: none"> <li>• Otherwise, your fingers may be cut.</li> </ul>
	<p><b>Pay attention to fins of evaporator and condenser</b></p> <ul style="list-style-type: none"> <li>• Otherwise, your fingers may be cut.</li> </ul>
	<p><b>Before transportatin, adjust the bolt</b></p> <ul style="list-style-type: none"> <li>• Otherwise, the floor may be damaged.</li> </ul>
	<p><b>Do not touch the pipe after brazing</b></p> <ul style="list-style-type: none"> <li>• Otherwise, your hands may be burnt.</li> </ul>

## 2. SPECIFICATION AND COMPONENTS

Model	AH146R			AH186R			AH186D		AH186G	AH186P	AH186H	
Code Attached Model	RA	RH	RP	RA	RH	RP	DS	DG	GH	PN	HA	HP
Model Type	Flat Type										Grip Type	
Colour Name	Eco-Blue	Eco-Gray	Eco-Peach	Eco-Blue	Eco-Gray	Eco-Peach	Eco-Silver	Eco-Green	Eco-Dark Gray	Eco-Copper	Eco-Blue	Eco-Peach
Destination	Thailand											
Material Spec. (Door)	PCM											
Plug	C2P											
Power Source	220V, 50Hz											

### Specification

Capacity	Total Volume	138L	183L
	Freezer FC	31L	31L
	Fresh food PC	107L	152L
Internal Dimension	W x D x H (mm)	W x D x H (mm)	
	EVAP.	412 x 308 x 220	412 x 308 x 220
	PC	474 x 377 x 756	474 x 377 x 952
External Dimension	572 x 570 x 1007	572 x 570 x 1203	572 x 570 x 1220 572 x 590 x 1203
Net Weight	27 Kgs.	34 Kgs.	
Installation Space	Side : 50 mm., min. / Back : 100 mm., min. / Top : 300 mm., min.		
Energy Level	Level 5		
Temperature Control	Full automatic temp. Control equipment (Thermostat)		
Defrosting	Semi automatic (Forcibly evaporated in the air)		
Exterior Finish	Shell	SGCD (Emboss coating)	
	Door	SPCC - SD	
Inner Liner	Vacuum formed ABS resin		
Insulation	Cyclopentane foam (shell and door)		

### Sealed Unit

Compressor	SF35C53GPW5-T1YS	SFJ39C72RLW-TOYS
Overload Protector	5TM134LFBYY	5TM142MHBYY
PTC Relay	PTH7M330MC1	PTH7M330MD2
Evaporator	Roll - Bond type	
Condenser	Single wall steel tube (Zinc coat)	
Refrigrant Charge	R134a, 85 ± 5g.	
Lubricating Oil	195 ml. (Freol S10)	

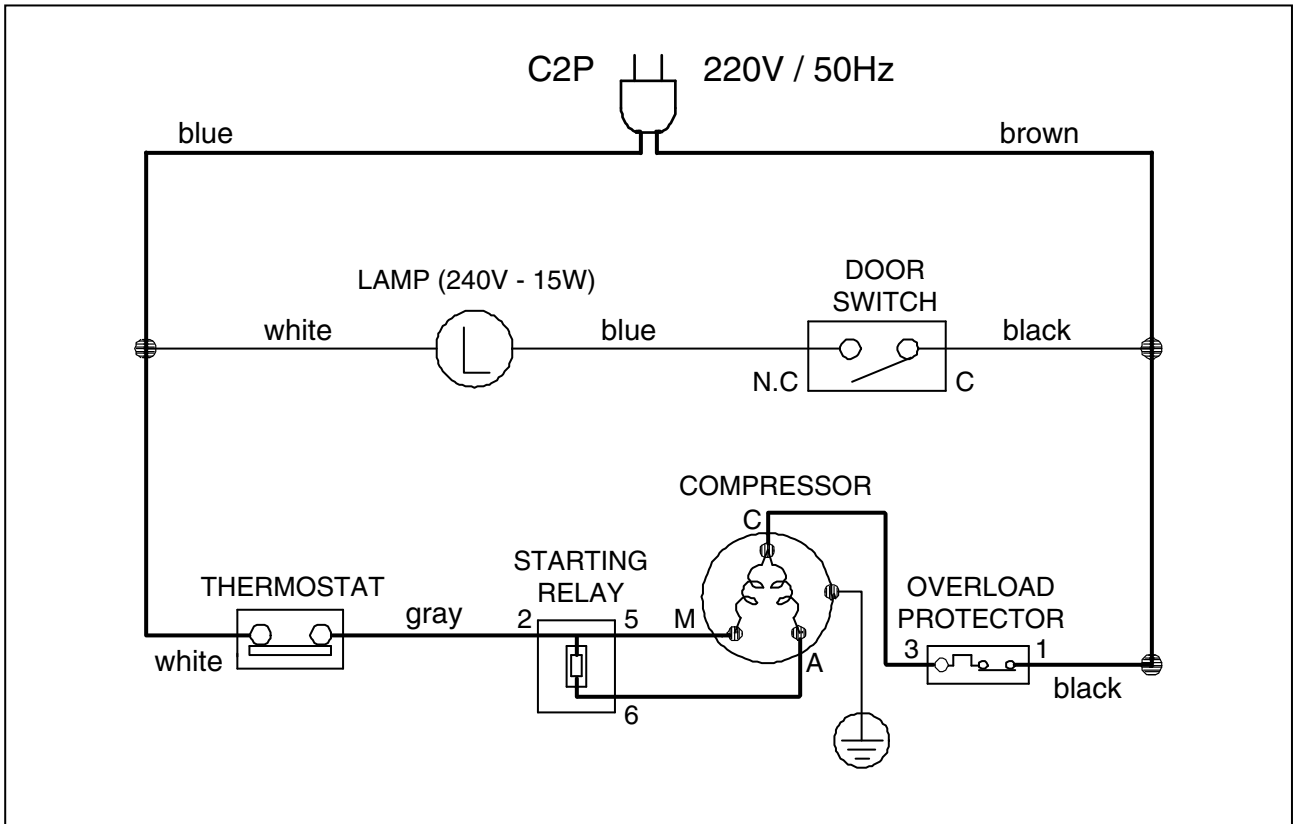
### Electric Parts

Door Switch PC	D3D - 121 (Omron), 250V / 0.5A, Switch type S.P. - S.T.
Compressor Motor	Split-phase induction motor, 220 ~ 240V / 50Hz / 77.8W 2 poles
Lamp Receptacle	5PS - 51T - 187, 250V / 2A
Lamp	FDS003

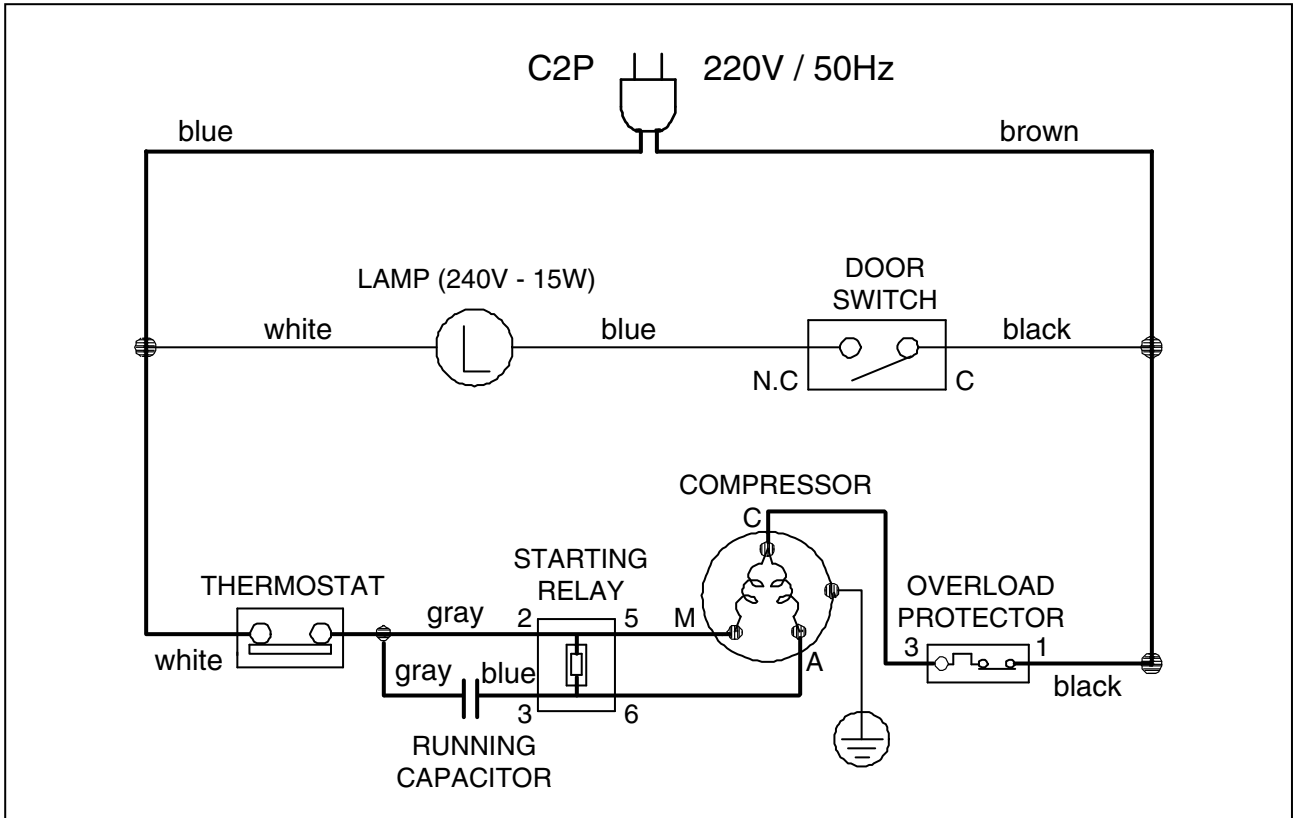
\* Specification subjects to change without notice.

### 3. SCHEMATIC DIAGRAM

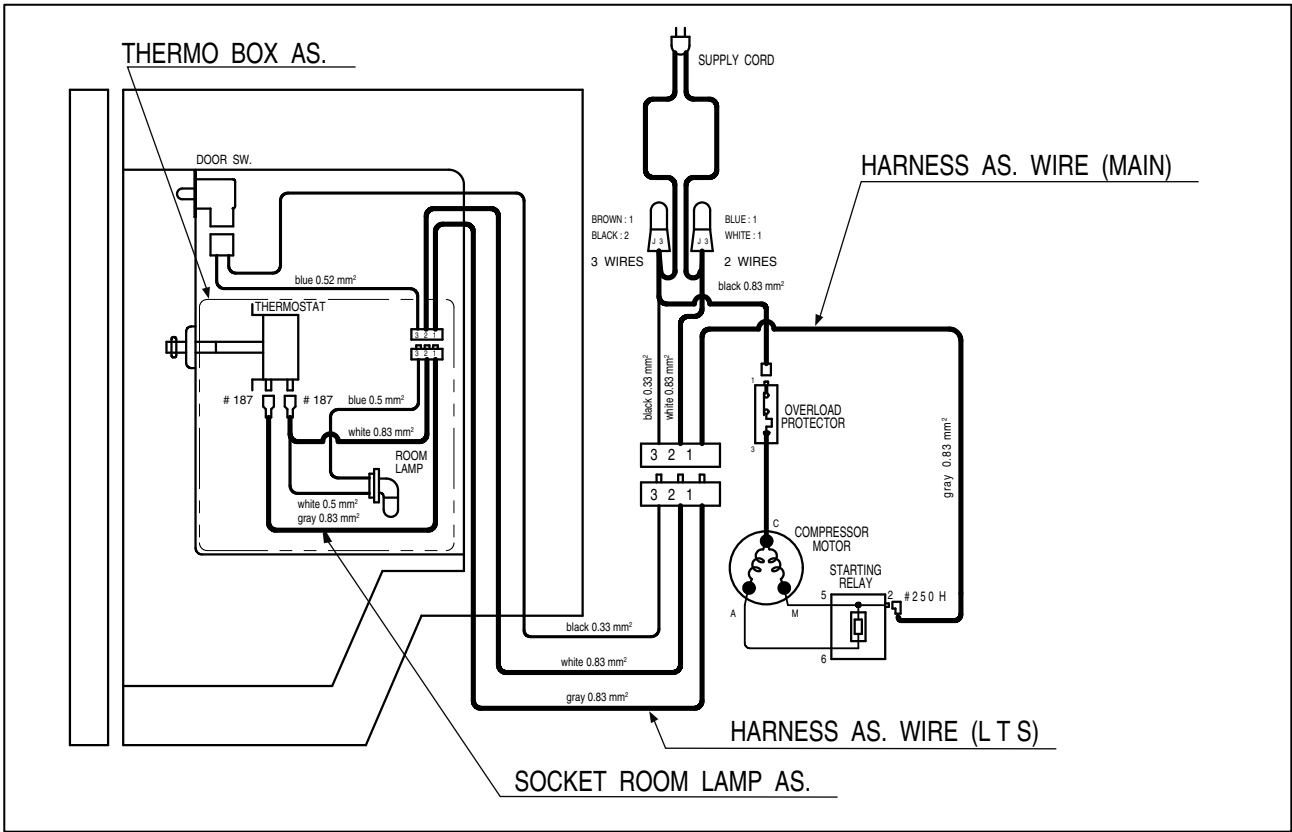
#### 3.1 Wiring Diagram : NR-AH146 ( No Capacitor)



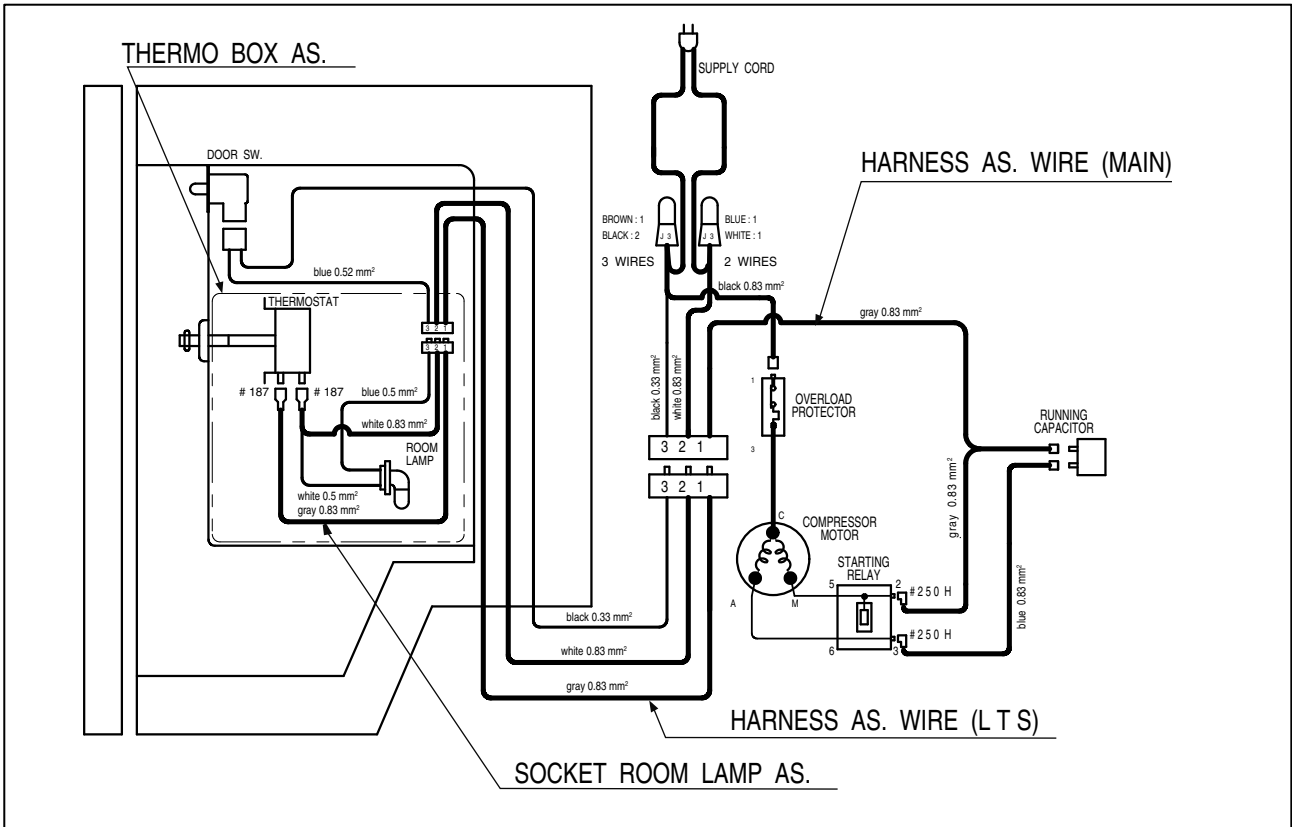
#### 3.2 Wiring Diagram : NR-AH186 ( Have Capacitor)



### 3.3 Wiring Connection : NR-AH146 ( No Capacitor)



### 3.4 Wiring Connection : NR-AH186 ( Have Capacitor)



## 4. PERFORMANCE DATA

### Cooling Performance : Temperature Control

#### 4.1 NR-AH146 (AT $32 \pm 1^\circ\text{C}$ )

Thermostat Dial Setting		“ 5 ”	“ 3 ”	“ 1 ”
Mean Fresh Food Compartment Temp.	t3 (°C)	-10.0 ± 2.5	-1.0 ± 2.5	3.0 ± 2.5
Mean Ice Making Compartment Temp.	(°C)	-15.0 ± 2.5	-6.5 ± 2.5	-1.0 ± 2.5
Vegetable Crisper Temp.	(°C)	-	3.0 ± 2.5	-
Egg Tray Temp.	(°C)	-	2.5 ± 2.5	-
Door Shelf Bottom Temp.	(°C)	-	0.0 ± 2.5	-
Running Ratio	(%)	85 ± 15	35 ± 15	25 ± 15
Power Consumption	(kWh/Day)	0.9 or under		

#### 4.2 NR-AH186 (AT $32 \pm 1^\circ\text{C}$ )

Thermostat Dial Setting		“ 5 ”	“ 3 ”	“ 1 ”
Mean Fresh Food Compartment Temp.	t3 (°C)	-4.0 ± 2.5	1.0 ± 2.5	6.5 ± 2.5
Mean Ice Making Compartment Temp.	(°C)	-12.0 ± 2.5	-6.5 ± 2.5	-0.5 ± 2.5
Vegetable Crisper Temp.	(°C)	-	5.0 ± 2.5	-
Egg Tray Temp.	(°C)	-	4.0 ± 2.5	-
Door Shelf Bottom Temp.	(°C)	-	1.0 ± 2.5	-
Running Ratio	(%)	60 ± 15	40 ± 15	25 ± 15
Power Consumption	(kWh/Day)	0.9 or under		

## 5. DISASSEMBLY INSTRUCTION

### 5.1 Cover Hinge Top : NR-AH146R / NR-AH186R / NR-AH186D / NR-AH186H



Fig. 1

- Take out by use screwdriver put at small gap between the cover hinge top with body at arrow mark and lift it up little.
- Then use hand pull it up slowly.

### 5.2 Top Table : NR-AH186G / NR-AH186P



Fig. 2

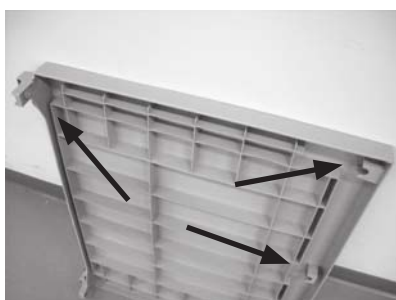


Fig. 3

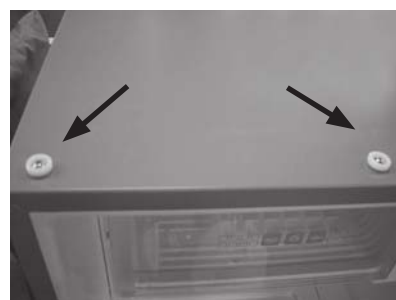


Fig. 4

- Take out the top panel by remove screws at hanger shells. (Fig. 2)
- Open the door.
- Lift the top panel by pull back a little for unlock from hook. (Fig. 3)
- Lift up the top panel and push it forward for unlock from grill button. (Fig. 4)

### 5.3 Hinge Top



Fig. 5 (NR-AH145R/185R/185D)



Fig. 6 (NR-AH185G/185P)

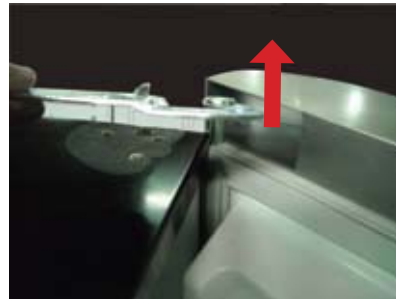


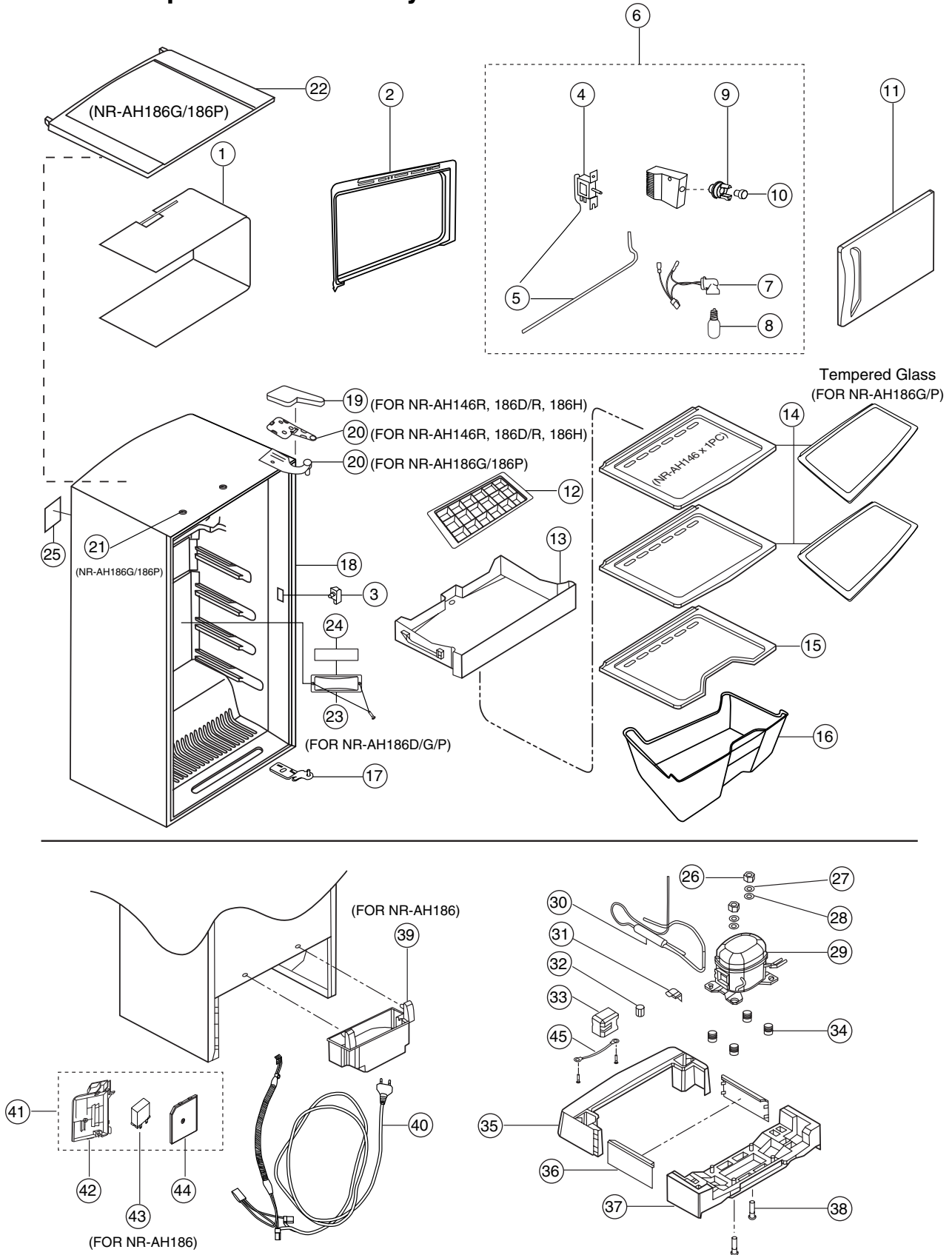
Fig. 7 (NR-AH185G/185P)

- Take out by use bolt driver remove the screws as Fig. 5 and Fig. 6.
- After that lift it up / as Fig. 7 have to lift it until hook loose from hole at Door As.
- When repair it finish / have to tighten screws by control torque 40 ~ 100 kgf.

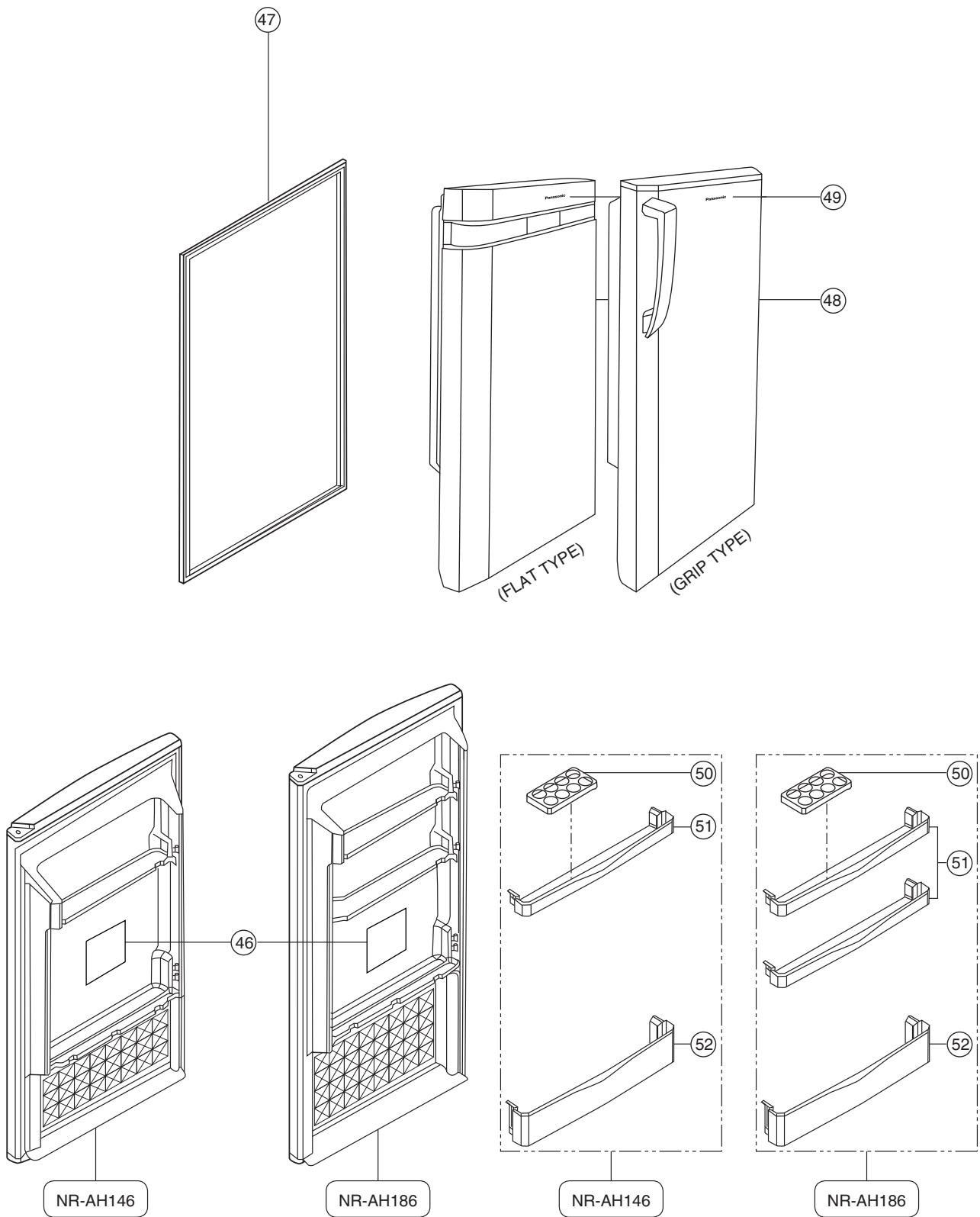


## 6. PARTS EXPLODED VIEW AND REPLACEMENT PARTS LIST

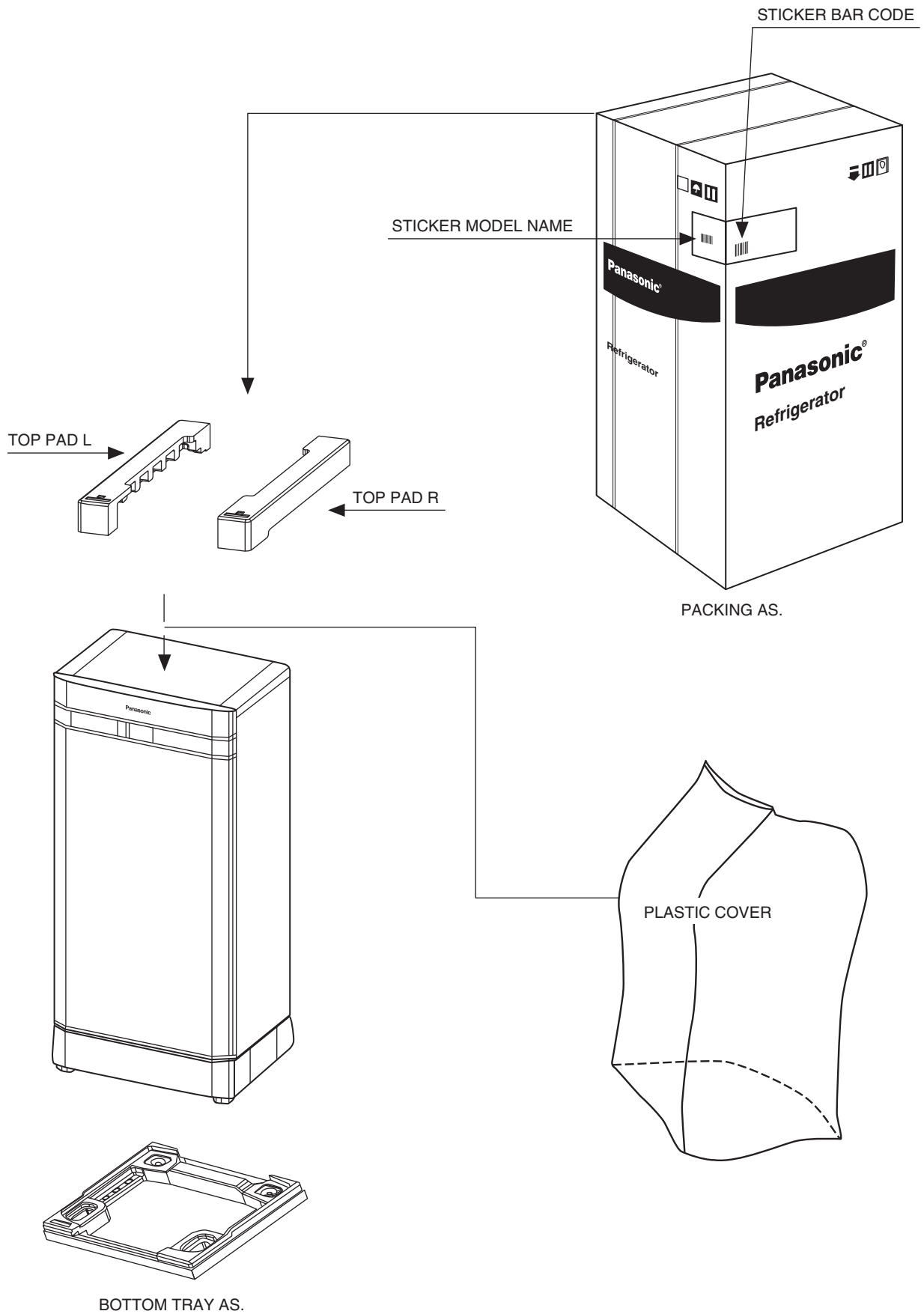
### 6.1 Parts Exploded View : Body



## 6.2 Parts Exploded View : Door



### 6.3 Parts Exploded View : Packing



**Important safety notice :**

Components identified by mark have special characteristics important for safety.  
When replacing any of these components, use only manufacturer's specified part.

**6.4 Replacement Part List : NR-AH146****Parts List**

REF. NO.	PART NAME	PART NO.	SAFETY	MODEL / Q'TY			REMARK
				146RA	146RP	146RH	
1	LOW SIDE AS.	CNRBF-153654		1	1	1	
2	TRIM EVAP.	CNRAF-179912		1	1	1	INNOCENT WHITE
3	DOOR SW.	CNRAG-153290		1	1	1	
4	THERMOSTAT	CNRAG-173331	S	1	1	1	
5	3.5 TUBE (PVC HT) 520	CNRAJ-169610		1	1	1	
6	THERMO BOX CONTROL AS.	CNRBH-147663		1	1	1	
7	SOCKET ROOM LAMP AS.	CNRBG-192011		1	1	1	
8	15-240 LAMP	CNRAG-156520		1	1	1	LAMP SCREW TYPE
9	DIAL THERMO	CNRAH-314353		1	1	1	INNOCENT WHITE
10	BUTTON DEFROST	CNRAH-314361		1	1	1	MENAM GRAY
11	DOOR EVAPORATOR	CNRAF-179921		1	1	1	TRANSPARENT
12	TRAY ICE	CNRAH-140750		1	1	1	INNOCENT WHITE
13	MEAT TRAY	CNRAH-316920		1	1	1	NO HOLE / TRANSPARENT
14	TRAY PC	CNRAH-272040		1	1	1	TRANSPARENT
15	TRAY PC BOTTOM	CNRAH-270950		1	1	1	TRANSPARENT
16	CRISPER	CNRAH-270961		1	1	1	TRANSPARENT
17	HINGE BOTTOM	CNRAE-136091	S	1	1	1	
18	SHELL & LINER AS. (FOAM)	CNRBC-372850		1	1	1	BLACK
19	COVER HINGE TOP - K	CNRAE-138990		1	1	1	BLACK
20	HINGE TOP	CNRAE-140580	S	1	1	1	
25	WIRING DIAGRAM - AH146RATH	CNRAH-316390		1			
	WIRING DIAGRAM - AH146RPTH	CNRAH-316400			1		
	WIRING DIAGRAM - AH146RHTH	CNRAH-316410				1	
26	HEXAGON NUT 8	CNR38-8170A1		2	2	2	
27	SP. WASHER 8	CNR38-4270A0		2	2	2	
28	8 WASHER	CNR38-4170A0		2	2	2	
29	COMP. SF35C53GPW5-T1YS	CNR51-419481		1	1	1	R134a
30	5 DRYER W	CNRAF-189490		1	1	1	
31	OVERLOAD PROTECTOR	CNR06-598030	S	1	1	1	5TM134LFBYY
32	PTC RELAY	CNR06-592680	S	1	1	1	PTH7M330MC1
33	PROTECTOR COVER	CNRGD-036540		1	1	1	
34	RUBBER GROMMET	CNR01-219932		4	4	4	
35	PLATFORM F - K	CNRAH-248011		1	1	1	BLACK
36	PLATFORM S - K	CNRAH-248700		2	2	2	BLACK
37	PLATFORM B - K	CNRAH-248251		1	1	1	BLACK
38	HEXAGON 8 BOLT 40	CNR38-9924A0		2	2	2	
40	HARNESS AS. WIRE (MAIN)	CNRBG-176963	S	1	1	1	C2P
41	BOX CAPACITOR AS.	CNRBG-166090		1	1	1	
42	BOX CAPACITOR	CNRAG-169950		1	1	1	
44	COVER BOX CAPACITOR	CNRAG-169960		1	1	1	
45	EARTH AS. COMP. 270	CNRBG-163470		1	1	1	
46	LABEL NAME - AH146RATH	CNRAH-316360		1			
	LABEL NAME - AH146RPTH	CNRAH-316370			1		
	LABEL NAME - AH146RHTH	CNRAH-316380				1	
47	GASKET DOOR	CNRAD-300742		1	1	1	
48	DOOR AS. (FOAM) - AH146RATH	CNRBD-390853		1			ECO-BLUE
	DOOR AS. (FOAM) - AH146RPTH	CNRBD-390843			1		ECO-PEACH
	DOOR AS. (FOAM) - AH146RHTH	CNRBD-390863				1	ECO-GRAY
49	EMBLEM	CNRAD-339801		1	1	1	

**Parts List**

REF. NO.	PART NAME	PART NO.	SAFETY	MODEL / Q'TY			REMARK
				146RA	146RP	146RH	
50	TRAY EGG 8	CNRAD-350530		1	1	1	TRANSPARENT
51	SHELF EGG	CNRAD-338090		1	1	1	TRANSPARENT
52	SHELF BOTTLE	CNRAD-338100		1	1	1	TRANSPARENT

**Screws**

REF. NO.	PART NAME	PART NO.	SAFETY	MODEL / Q'TY			REMARK
				146RA	146RP	146RH	
	TRUSS 4 TS 12 (SUS)	CNR38-114351		1	1	1	FIX THERMO BOX CONTROL
		CNR38-114351		4	4	4	FIX TRIM EVA.
	HEXAGON M5. TS 14	CNRAJ-167960		3	3	3	FIX HINGE TOP
		CNRAJ-167960		8	8	8	FIX PLATFORM
		CNRAJ-167960		2	2	2	FIX HINGE BOTTOM

**Packing List**

REF. NO.	PART NAME	PART NO.	SAFETY	MODEL / Q'TY			REMARK
				146RA	146RP	146RH	
	CARTON BOX	CNRAK-170740		1	1	1	
	STICKER MODEL NAME - AH146RATH	CNRAH-316420		1			
	STICKER MODEL NAME - AH146RPTH	CNRAH-316430			1		
	STICKER MODEL NAME - AH146RHTH	CNRAH-316440				1	
	BOTTOM TRAY AS.	CNRBK-136210		1	1	1	
	PLASTIC COVER	CNRAJ-162961		1	1	1	
	TOP PAD L	CNRAK-139182		1	1	1	
	TOP PAD R	CNRAK-139192		1	1	1	
	INSTRUCTION BOOK	CNRAK-170650		1	1	1	THAI LANGUAGE

## 6.5 Replacement Part List : NR-AH186

### Parts List

REF. NO.	PART NAME	PART NO.	SAFETY	MODEL / Q'TY								REMARK	
				FLAT TYPE						GRIP TYPE			
				186PN	186GH	186DS	186DG	186RA	186RP	186RH	186HA		186HP
1	LOW SIDE AS.	CNRBF-153503		1	1	1	1	1	1	1	1	1	
2	TRIM EVA.	CNRAF-179912		1	1	1	1	1	1	1	1	1	INNOCENT WHITE
3	DOOR SW.	CNRAG-153290		1	1	1	1	1	1	1	1	1	
4	THERMOSTAT	CNRAG-173331	S	1	1	1	1	1	1	1	1	1	
5	3.5 TUBE (PVC HT) 520	CNRAJ-169610		1	1	1	1	1	1	1	1	1	
6	THERMO BOX CONTROL AS.	CNRBH-147663		1	1	1	1	1	1	1	1	1	
7	SOCKET ROOM LAMP AS.	CNRBG-192011		1	1	1	1	1	1	1	1	1	
8	15-240 LAMP	CNRAG-156520		1	1	1	1	1	1	1	1	1	LAMP SCREW TYPE
9	DIAL THERMO	CNRAH-314353		1	1	1	1	1	1	1	1	1	INNOCENT WHITE
10	BUTTON DEFROST	CNRAH-314361		1	1	1	1	1	1	1	1	1	MENAM GRAY
11	DOOR EVAPORATOR	CNRAF-179921		1	1	1	1	1	1	1	1	1	TRANSPARENT
12	TRAY ICE	CNRAH-140750		1	1	1	1	1	1	1	1	1	INNOCENT WHITE
13	MEAT TRAY	CNRAH-316910		1	1	1	1	1	1	1	1	1	HAVE HOLE / TRANSPARENT
14	TRAY PC	CNRAH-272040				2	2	2	2	2	2	2	TRANSPARENT
	GLASS TRAY AS.	CNRBH-140571		2	2								TEMPERED GLASS
15	TRAY PC BOTTOM	CNRAH-270950		1	1	1	1	1	1	1	1	1	TRANSPARENT
16	CRISPER	CNRAH-270961		1	1	1	1	1	1	1	1	1	TRANSPARENT
17	HINGE BOTTOM	CNRAE-136091	S	1	1	1	1	1	1	1	1	1	
18	SHELL & LINER AS. (FOAM) - G, P	CNRBC-372790		1	1								BLACK
	SHELL & LINER AS. (FOAM) - R, D, H	CNRBC-372770				1	1	1	1	1	1	1	BLACK
19	COVER HINGE TOP - K	CNRAE-138990				1	1	1	1	1	1	1	BLACK
20	HINGE TOP	CNRAE-140580	S			1	1	1	1	1	1	1	
	HINGE TOP AS.	CNRBE-108742	S	1	1								
21	BUTTON GRILL FRONT	CNRAJ-112920		2	2								
22	TOP TABLE - K	CNRAH-291290		1	1								BLACK
23	AG CLEAN CASE	CNRAH-272170		1	1	1	1						AG-SILVER
24	AG BIO FILTER	CNRAH-245521		1	1	1	1						
25	WIRING DIAGRAM - AH186PNTH	CNRAH-316130		1									
	WIRING DIAGRAM - AH186GHTH	CNRAH-316140			1								
	WIRING DIAGRAM - AH186DSTH	CNRAH-316150				1							
	WIRING DIAGRAM - AH186DGTH	CNRAH-316160					1						
	WIRING DIAGRAM - AH186RATH	CNRAH-316170						1					
	WIRING DIAGRAM - AH186RPTH	CNRAH-316180							1				
	WIRING DIAGRAM - AH186RHTH	CNRAH-316190								1			
	WIRING DIAGRAM - AH186HATH	CNRAH-315860									1		
WIRING DIAGRAM - AH186HPH	CNRAH-315870										1		
26	HEXAGON NUT 8	CNR38-8170A1		2	2	2	2	2	2	2	2	2	
27	SP. WASHER 8	CNR38-4270A0		2	2	2	2	2	2	2	2	2	
28	8 WASHER	CNR38-4170A0		2	2	2	2	2	2	2	2	2	
29	COMP. SFJ39C72RLW-T0YS	CNR6T-000290		1	1	1	1	1	1	1	1	1	
30	5 DRYER W	CNRAF-189490		1	1	1	1	1	1	1	1	1	1 TUBE
31	OVERLOAD PROTECTOR	CNR06-597410	S	1	1	1	1	1	1	1	1	1	5TM142MHBY
32	PTC RELAY	CNR06-592700	S	1	1	1	1	1	1	1	1	1	PTH7M330MD2
33	PROTECTOR COVER	CNRGD-036540		1	1	1	1	1	1	1	1	1	
34	RUBBER GROMMET	CNR01-219932		4	4	4	4	4	4	4	4	4	
35	PLATFORM F - K	CNRAH-248011		1	1	1	1	1	1	1	1	1	BLACK
36	PLATFORM S - K	CNRAH-248700		2	2	2	2	2	2	2	2	2	BLACK
37	PLATFORM B - K	CNRAH-248251		1	1	1	1	1	1	1	1	1	BLACK
38	HEXAGON 8 BOLT 40	CNR38-9924A0		2	2	2	2	2	2	2	2	2	
39	PAN WATER EVA	CNRAF-190630		1	1	1	1	1	1	1	1	1	
40	HARNESS AS. WIRE (MAIN)	CNRBG-176953	S	1	1	1	1	1	1	1	1	1	C2P
41	BOX CAPACITOR AS.	CNRBG-164290		1	1	1	1	1	1	1	1	1	

## Parts List

REF. NO.	PART NAME	PART NO.	SAFETY	MODEL / Q'TY										REMARK
				FLAT TYPE								GRIP TYPE		
				186PN	186GH	186DS	186DG	186RA	186RP	186RH	186HA	186HP		
42	BOX CAPACITOR	CNRAG-171381		1	1	1	1	1	1	1	1	1	1	
43	MF. CAPACITOR	CNRAG-153360		1	1	1	1	1	1	1	1	1	1	400 VAC - 4 $\mu$ F
44	COVER BOX CAPACITOR	CNRAG-171390		1	1	1	1	1	1	1	1	1	1	
45	EARTH AS. COMP. 270	CNRBG-163470		1	1	1	1	1	1	1	1	1	1	
46	LABEL NAME - AH186PNTH	CNRAH-316061	S	1										
	LABEL NAME - AH186GHTH	CNRAH-316071	S		1									
	LABEL NAME - AH186DSTH	CNRAH-316081	S			1								
	LABEL NAME - AH186DGTH	CNRAH-316091	S				1							
	LABEL NAME - AH186RATH	CNRAH-316101	S					1						
	LABEL NAME - AH186RPTH	CNRAH-316111	S						1					
	LABEL NAME - AH186RHTH	CNRAH-316121	S							1				
	LABEL NAME - AH186HATH	CNRAH-315841	S								1			
46	LABEL NAME - AH186HPTH	CNRAH-315851	S									1		
47	GASKET DOOR	CNRAD-300713		1	1	1	1	1	1	1	1	1	1	
48	DOOR AS. (FOAM) - PN	CNRBD-390923		1										ECO-COPPER
	DOOR AS. (FOAM) - GH	CNRBD-376244			1									ECO-DARK GRAY
	DOOR AS. (FOAM) - DS	CNRBD-390913				1								ECO-SILVER
	DOOR AS. (FOAM) - DG	CNRBD-393820					1							ECO-GREEN
	DOOR AS. (FOAM) - RA	CNRBD-390883						1						ECO-BLUE
	DOOR AS. (FOAM) - RP	CNRBD-390873							1					ECO-PEACH
	DOOR AS. (FOAM) - RH	CNRBD-390893								1				ECO-GRAY
	DOOR AS. (FOAM) - HA	CNRBD-393450									1			ECO-BLUE
	DOOR AS. (FOAM) - HP	CNRBD-393460										1		ECO-PEACH
49	EMBLEM	CNRAD-339801		1	1	1	1	1	1	1	1	1	1	
50	TRAY EGG 8	CNRAD-350530		1	1	1	1	1	1	1	1	1	1	TRANSPARENT
51	SHELF EGG	CNRAD-338090		2	2	2	2	2	2	2	2	2	2	TRANSPARENT
52	SHELF BOTTLE	CNRAD-338100		1	1	1	1	1	1	1	1	1	1	TRANSPARENT

## Screws

REF. NO.	PART NAME	PART NO.	SAFETY	MODEL / Q'TY								REMARK	
				FLAT TYPE						GRIP TYPE			
				186PN	186GH	186DS	186DG	186RA	186RP	186RH	186HA		186HP
	TRUSS 4 TS 12 (SUS)	CNR38-114351		1	1	1	1	1	1	1	1	1	FIX THERMO BOX CONTROL
		CNR38-114351		4	4	4	4	4	4	4	4	4	FIX TRIM EVA.
		CNR38-114351		2	2	2	2						FIX AG CLEAN CASE
	TRUSS 4 TS 10	CNRAJ-160900		2	2								FIX BUTTON GRILL FRONT
	TRUSS 5 TS 18	CNR38-1156A1		2	2								FIX TOP TABLE
	HEXAGON M5. TS 14	CNRAJ-167960		3	3	3	3	3	3	3	3	3	FIX HINGE TOP
		CNRAJ-167960		8	8	8	8	8	8	8	8	8	FIX PLATFORM
		CNRAJ-167960		2	2	2	2	2	2	2	2	2	FIX HINGE BOTTOM

## Packing List

REF. NO.	PART NAME	PART NO.	SAFETY	MODEL / Q'TY								REMARK	
				FLAT TYPE						GRIP TYPE			
				186PN	186GH	186DS	186DG	186RA	186RP	186RH	186HA		186HP
	CARTON BOX	CNRAK-170730		1	1	1	1	1	1	1			
		CNRAK-170600									1	1	
	STICKER MODEL NAME - AH186PNTH	CNRAH-316200		1									
	STICKER MODEL NAME - AH186GHTH	CNRAH-316210			1								
	STICKER MODEL NAME - AH186DSTH	CNRAH-316220				1							
	STICKER MODEL NAME - AH186DGTH	CNRAH-316230					1						
	STICKER MODEL NAME - AH186RATH	CNRAH-316240						1					
	STICKER MODEL NAME - AH186RPTH	CNRAH-316250							1				
	STICKER MODEL NAME - AH186RHTH	CNRAH-316260								1			
	STICKER MODEL NAME - AH186HATH	CNRAH-315880									1		
	STICKER MODEL NAME - AH186HPTH	CNRAH-315890										1	
	BOTTOM TRAY AS.	CNRBK-136210		1	1	1	1	1	1	1	1	1	
	PLASTIC COVER	CNRAJ-162961		1	1	1	1	1	1	1	1	1	
	TOP PAD L	CNRAK-140592		1	1								
		CNRAK-139182				1	1	1	1	1	1	1	
	TOP PAD R	CNRAK-140602		1	1								
		CNRAK-139192				1	1	1	1	1	1	1	
	INSTRUCTION BOOK	CNRAK-170650		1	1	1	1	1	1				THAI LANGUAGE
		CNRAK-170590									1	1	THAI LANGUAGE