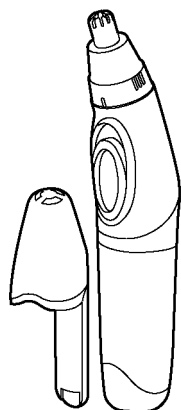


Service Manual

Nose & Ear Hair Trimmer

Model No. ER417

Asia & Middle East



⚠ WARNING

This service information is designed for experienced repair technicians only and is not designed for use by the general public. It does not contain warnings or cautions to advise non-technical individuals of potential dangers in attempting to service a product. Products powered by electricity should be serviced or repaired only by experienced professional technicians. Any attempt to service or repair the product or products dealt with in this service information by anyone else could result in serious injury or death.

IMPORTANT SAFETY NOTICE

There are special components used in this equipment which are important for safety. These parts are marked by ⚠ in the Schematic Diagrams, Circuit Board Diagrams, Exploded Views and Replacement Parts List. It is essential that these critical parts should be replaced with manufacturer's specified parts to prevent shock, fire or other hazards. Do not modify the original design without permission of manufacturer.

TABLE OF CONTENTS

	PAGE	PAGE
1 Specifications	2	
2 Schematic Diagram	2	
3 Exploded View and Replacement Parts List	3	

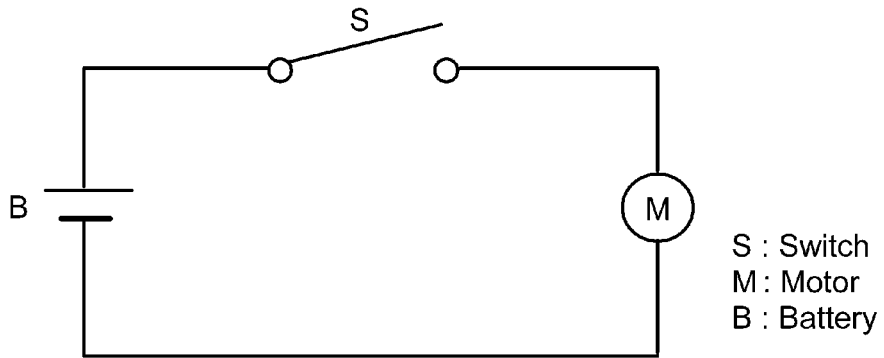
Panasonic

© 2007 Matsushita Electric Works, Ltd. All rights reserved. Unauthorized copying and distribution is a violation of law.

1 Specifications

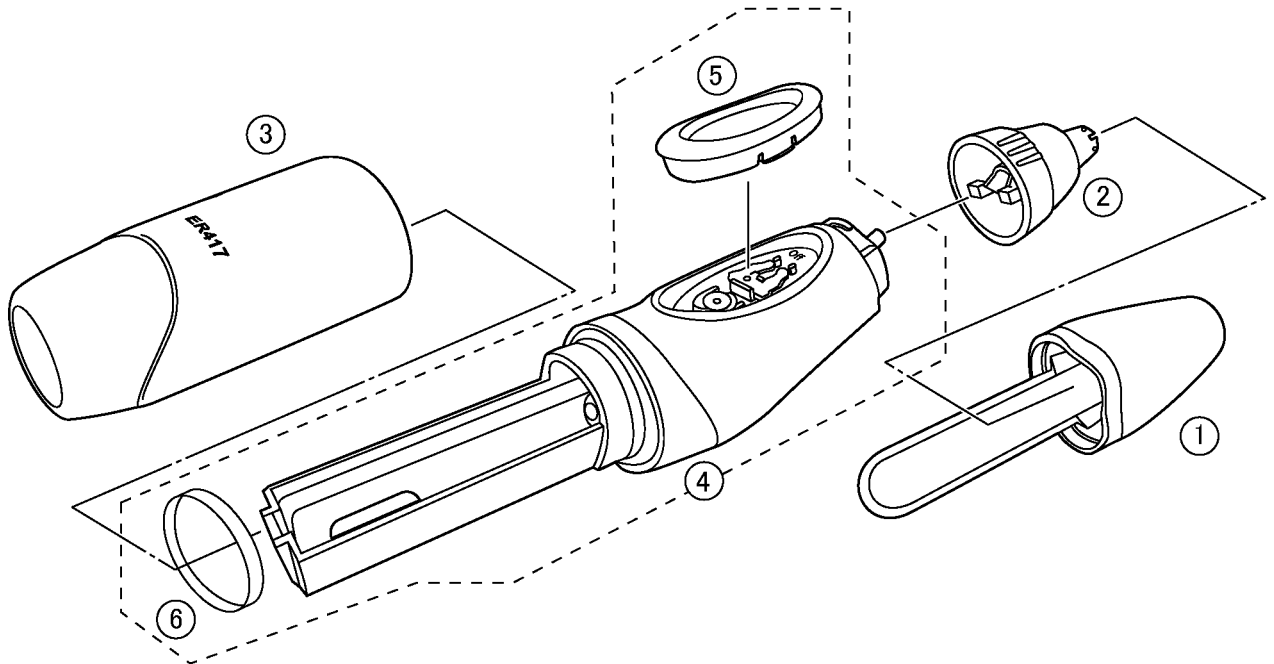
Power source	DC 1.5V (one "AA" Alkaline battery)
Weight (including battery)	80g

2 Schematic Diagram



3 Exploded View and Replacement Parts List

3.1. Exploded View



3.2. Replacement Parts List

Safety	Ref. No.	Part No.	Part Name & Description	Quantity	Remarks
	1	WER417X3188	PROTECTIVE CAP	1	
	2	WER416H1058	BLADE BLOCK	1	
	3	WER417K3128	BATTERY COVER	1	
	3	WER417K3129	BATTERY COVER	1	without the country of origin
	4	WER417K4008	BODY BLOCK	1	
	5	WER417K3268	SWITCH HANDLE	1	
	6	WER417L0327	O-RING	1	
	-	WER417K8008	INDIVIDUAL BOX	1	
	-	WER417K8108	OPERATING INSTRUCTIONS	1	