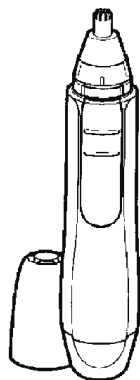


Service Manual

Nose & Ear Hair Trimmer

ER412



SPECIFICATIONS

Power source	: DC 1.5V
Weight	: 75g(including the dry battery)
Optional accessory	: Cleaning brush (only National model)

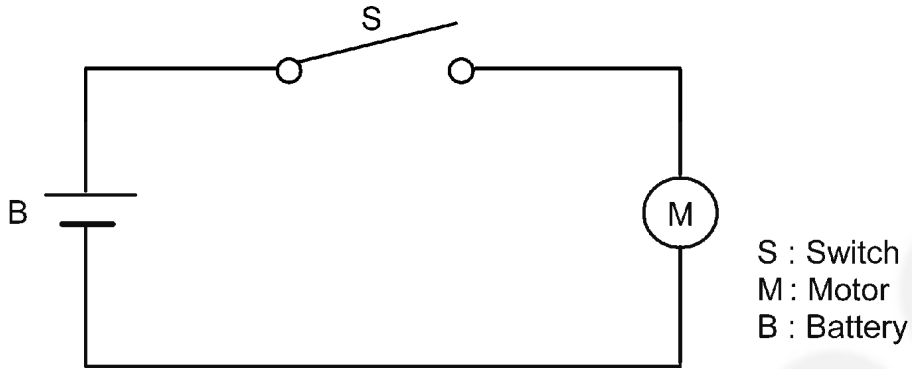
WARNING

This service information is designed for experienced repair technicians only and is not designed for use by the general public. It does not contain warnings or cautions to advise non-technical individuals of potential dangers in attempting to service a product. Products powered by electricity should be serviced or repaired only by experienced professional technicians. Any attempt to service or repair the product or products dealt with in this service information by anyone else could result in serious injury or death.

CONTENTS

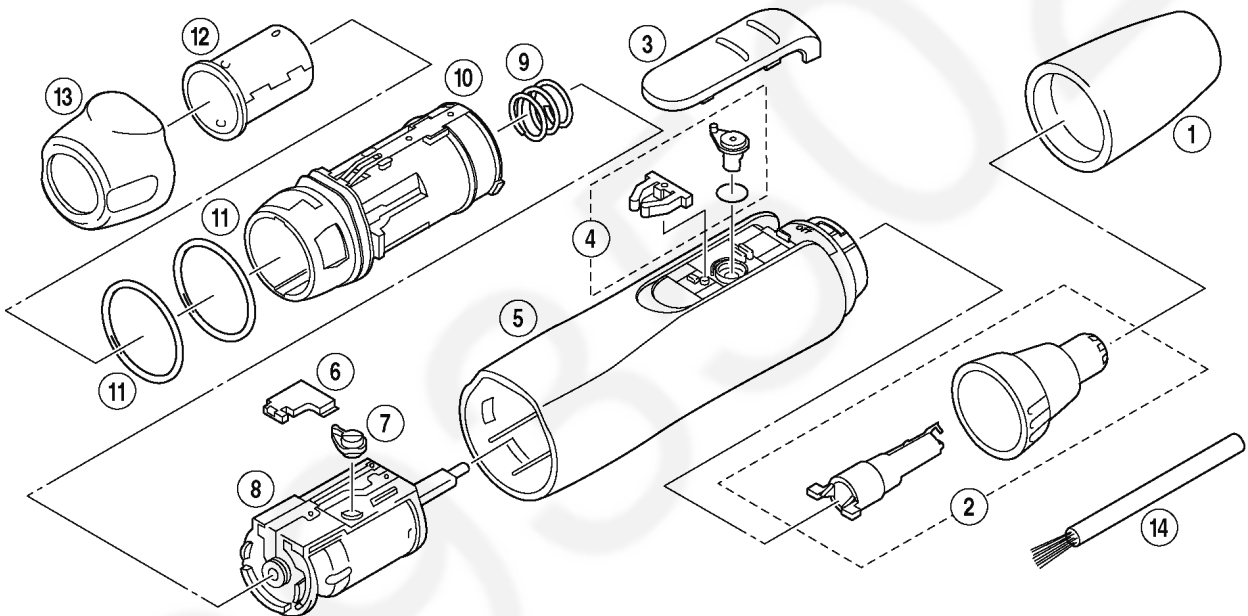
	Page	Page
1 SCHEMATIC DIAGRAM	2	2 EXPLODED VIEW & REPLACEMENT PARTS LIST
		2

1 SCHEMATIC DIAGRAM



2 EXPLODED VIEW & REPLACEMENT PARTS LIST

2.1. EXPLODED VIEW



2.2. REPLACEMENT PARES LIST

Ref. No.	Part No.	Part Name & Description	Remarks	Per Unit
1	WER412N3188	PROTECTIVE CAP	(BG)	1
2	WER412K1058	BLADE BLOCK		1
3	WER412K3207	SWITCH HANDLE	(BG)	1
4	WER412L1667	SWITCH CAM SET	(BG)	1
5	WER412N3158	HOUSING	National	(BG) 1
5	WER412N3159	HOUSING	Panasonic	(BG) 1
6	WER412L2447	SWITCH CONTACT BLOCK	(BG)	1
7	WER411L1657	SWITCH CAM	(BG)	1
8	WER411L1007	MOTOR	(BG)	1
9	WER411L0927	SPRING	(BG)	1
10	WER411L3707	BATTERY HOLDER	(BG)	1
11	WER411L0977	O-RING	(BG)	1
12	WES212TB0647	FIXED RING	(BG)	1
13	WER412K3127	BATTERY COVER	(BG)	1
14	WER410B7217	CLEANING BRUSH	Only National model	(BG) 1
-	WER412K8009	INDIVIDUAL BOX	National	(BG) 1
-	WER412K8010	INDIVIDUAL BOX	Panasonic	(BG) 1
-	WER412K8109	OPERATING INSTRUCTIONS	National	(BG) 1
-	WER412K8110	OPERATING INSTRUCTIONS	Panasonic	(BG) 1