

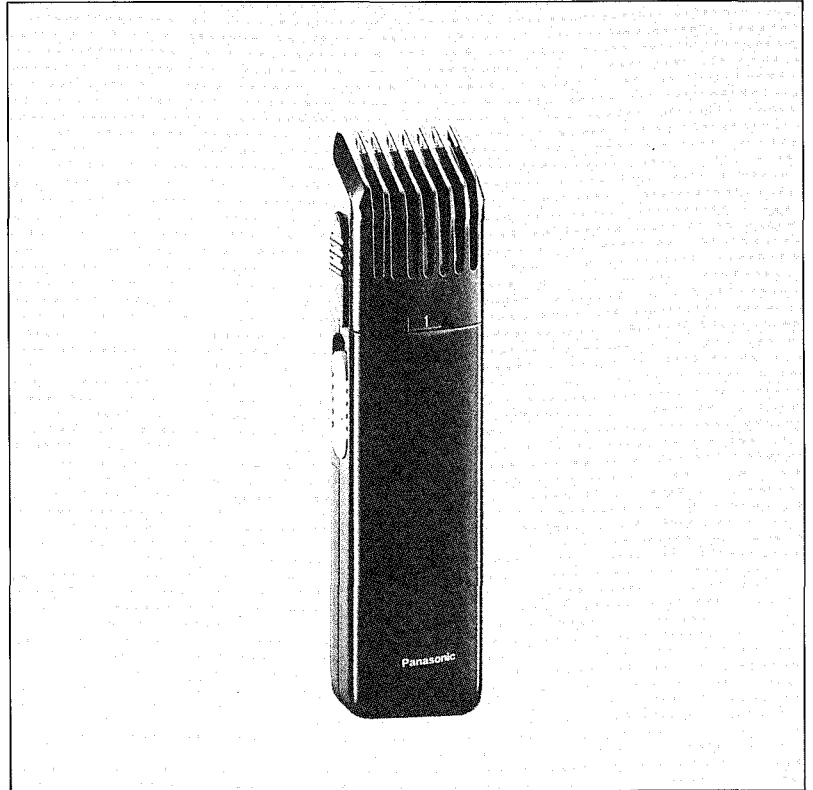
Service Manual

Moustache Trimmer

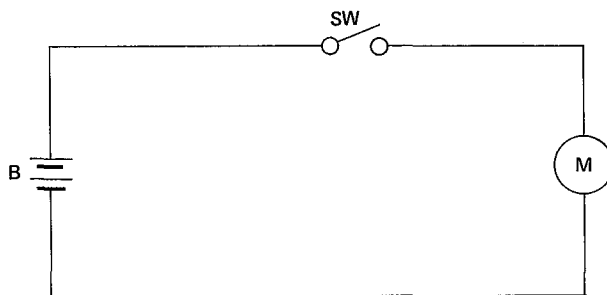
ER240

Specifications:

Model No.: ER240
Power source: 3V DC
(Two "AA" size batteries)
Weight: 4.2 oz (with batteries)
Accessories: Comb attachment
Comb
Cleaning brush

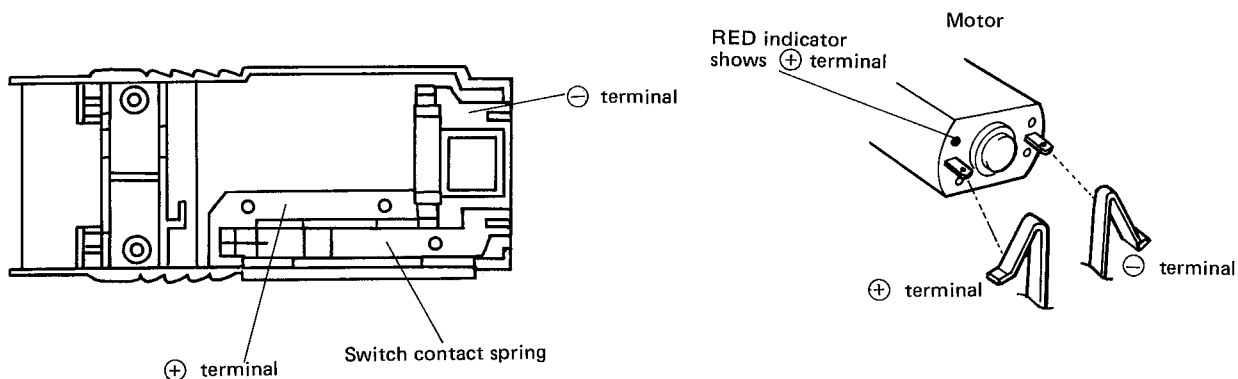


SCHEMATIC DIAGRAM

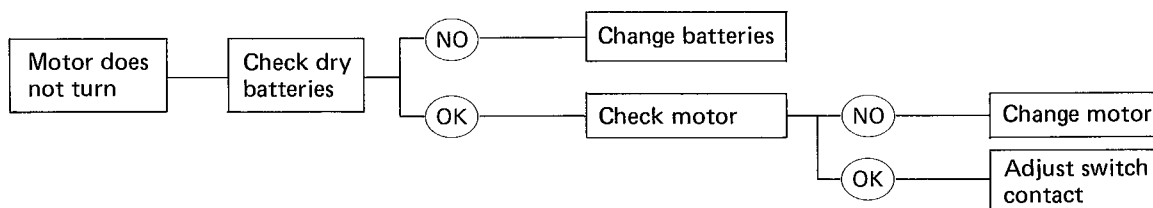


SW: Switch
B: Battery
M: Motor

WIRING CONNECTION DIAGRAM



TROUBLESHOOTING GUIDE



INSPECTION METHOD

1. Check motor by applying 3V DC to the motor terminals. (approx. 7,000 – 9,000 rpm)
Note: The red indicator shows the positive + terminal.
2. When the motor does not turn, but there is nothing wrong with either the battery or motor, there could be a poor contact between the motor terminal and the positive and negative metal fittings located in housing A, or there is a poor contact between the two metal fittings when the switch is turned on. Correct the position of the contacts.

DISASSEMBLY METHOD

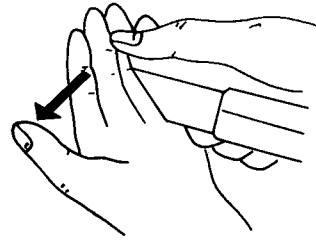
1. Remove the comb attachment, blade block and battery cover.

2. Remove the two housing screws.

3. Separate the housing A and B .

Note: Care must be taken in separating housing A and B so as not to damage the housing and anchoring tabs.

4. Remove the motor.

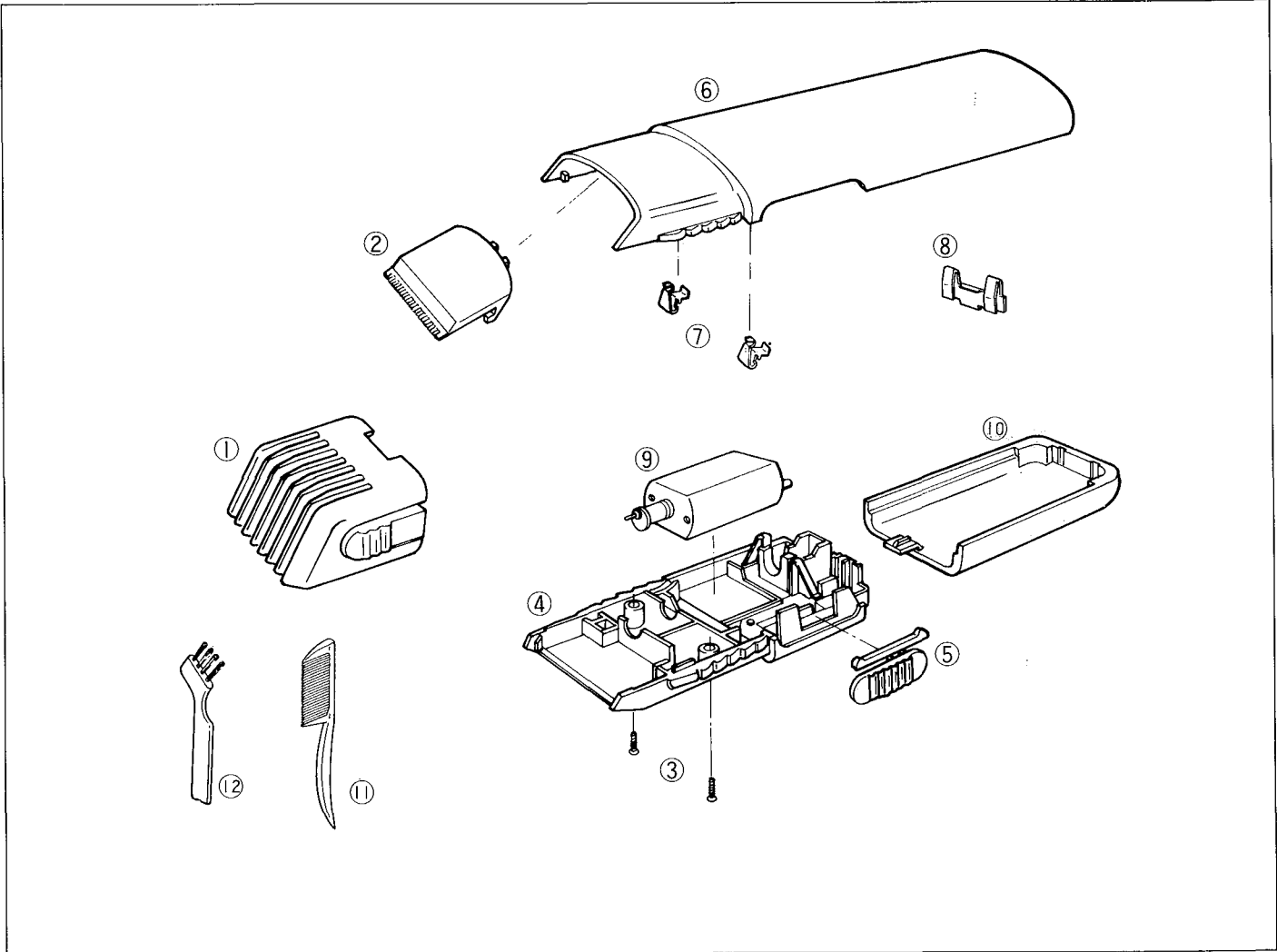


ASSEMBLY METHOD

To reassemble, reverse the above disassembly procedure.

Note: When reinserting the motor into housing (A), be sure to observe its \oplus and \ominus terminals. (See WIRING CONNECTION DIAGRAM)

EXPLODED VIEW



REPLACEMENT PARTS LIST

Ref. No.	Part No.	Part Name & Description	Per set	Remarks
1	WER240B7398	Comb attachment	1	
2	WER961P	Blade	1	
3	WES68529257	Screws	2	
4	WER240B3068	Housing A	1	
5	WER240B3208	Switch handle	1	
6	WER240B3058	Housing B	1	
7	WER240B0168	Cutter springs	2	
8	WER240B2638	Battery contacts	1	
9	WER240B1008	Motor block	1	
10	WER240B3128	Battery cover	1	
11	WER240B7068	Comb	1	
12	WES655B7257	Cleaning brush	1	
—	WER240B8008	Individual box	1	
—	WER97682400	Operating instructions	1	