

Service Manual

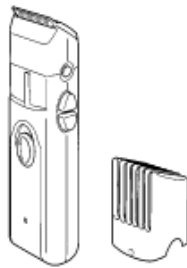
[TOP](#) [NEXT](#)

ORDER NO.SD0010X77C8

Service Manual

AC/Rechargeable Beard/Hair Trimmer

- ER213/ER215



SPECIFICATIONS

Power source	: 100-240V AC, 50-60Hz
Power consumption	: 5.0W
Charging time	: standard 1 hour
Rated time	: 40 minutes
Weight	: 175g (including attachment)
Standard equipment	: Comb attachment/ AC power cord/ Oil/ Cleaning brush/ Shaver head(ER215 only)/ Protective cap(ER215 only)

© 2000 Matsushita Electric Works, Ltd. All rights reserved. Unauthorized copying and distribution is a violation of law.

⚠ WARNING

This service information is designed for experienced repair technicians only and is not designed for use by the general public. It does not contain warnings or cautions to advise non-technical individuals of potential dangers in attempting to service a product. Products powered by electricity should be serviced or repaired only by experienced professional technicians. Any attempt to service or repair the product or products dealt with in this service information by anyone else could result in serious injury or death.

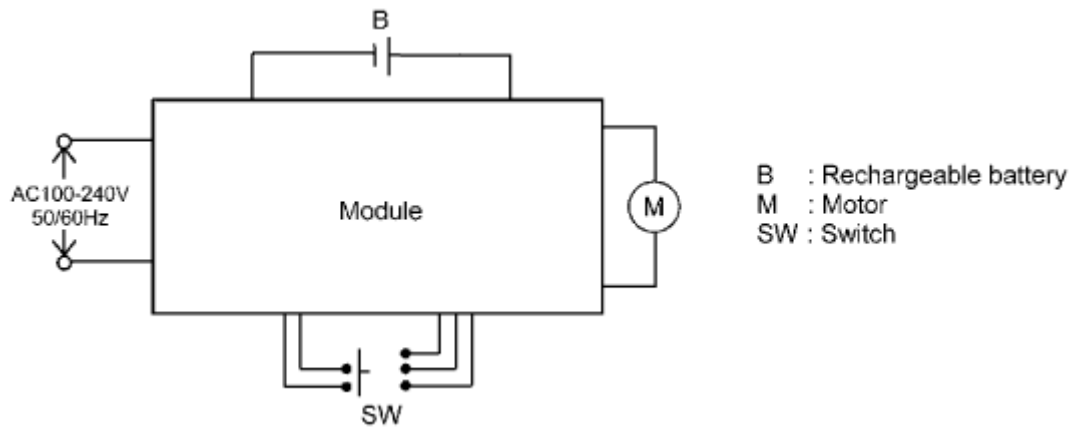
National/Panasonic

پ@

[TOP](#) [NEXT](#)

1 SCHEMATIC DIAGRAM

[TOP](#) [PREVIOUS](#) [NEXT](#)

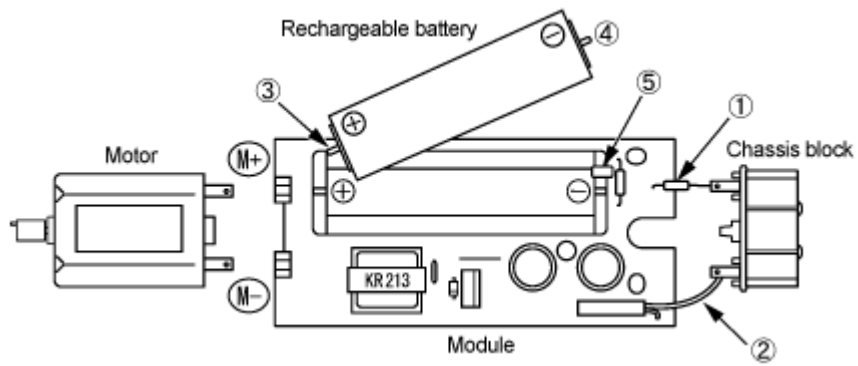


⌚@

[TOP](#) [PREVIOUS](#) [NEXT](#)

2 WIRING CONNECTION DIAGRAM

[TOP](#) [PREVIOUS](#) [NEXT](#)



@

[TOP](#) [PREVIOUS](#) [NEXT](#)

3 DISASSEMBLY/ASSEMBLY INSTRUCTIONS

[TOP](#) [PREVIOUS](#) [NEXT](#)

[3.1 DISASSEMBLY INSTRUCTIONS](#)

[3.2 ASSEMBLY INSTRUCTIONS](#)

پ@

[TOP](#) [PREVIOUS](#) [NEXT](#)

3.1 DISASSEMBLY INSTRUCTIONS

[TOP](#) [PREVIOUS](#) [NEXT](#)

NOTE: Fully discharge the battery.

1. Remove the trimmer head (shaver head). (See Fig.1)
2. Remove the retaining plate with a flat-tipped screwdriver. (See Fig.2)
3. Remove the housing screw. (See Fig.2)
4. Disassemble the housing A and B. (See Fig.2)
5. Remove the motor and the circuit block.(See Fig.2)
6. Remove the rechargeable battery.(See Fig.2)

Fig. 1

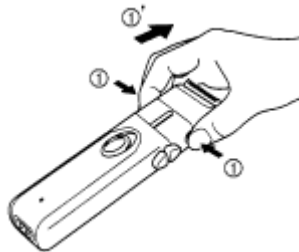
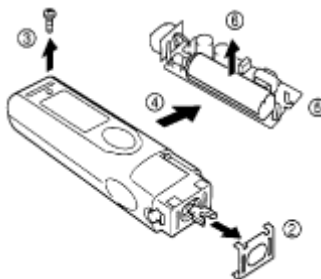


Fig. 2



✉

[TOP](#) [PREVIOUS](#) [NEXT](#)

3.2 ASSEMBLY INSTRUCTIONS

[TOP](#) [PREVIOUS](#) [NEXT](#)

1. Place the switch handle, the switch plate and the release button with spring into housing A.
2. Place the driving shaft with the water-proof rubber into housing A.
3. Place the module block, and the motor into housing A.
4. Set the rack with the lowest position into housing B. (See Fig.3)
5. Set the dial click spring and dial into housing B (See Fig.3)

NOTE: Make sure the rib of dial click spring and the hole of dial are set on the straight.

6. Set the up button and down button into housing B.
7. Set the dial plate with spring for up& down button into housing B.

NOTE: Make sure the rack is set with the lowest position and check the hole of dial is apparent from the/ hole of the dialplate. (See [Fig. 4](#))

8. Assemble the housing A and B.
9. Tighten the housing screw.
10. Assemble the retaining plate and attach the trimmer or shaver head.

Fig. 3

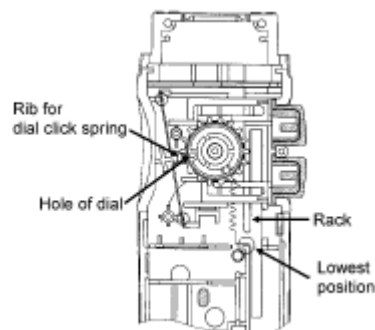
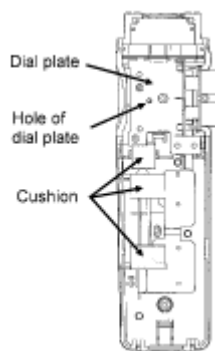


Fig. 4



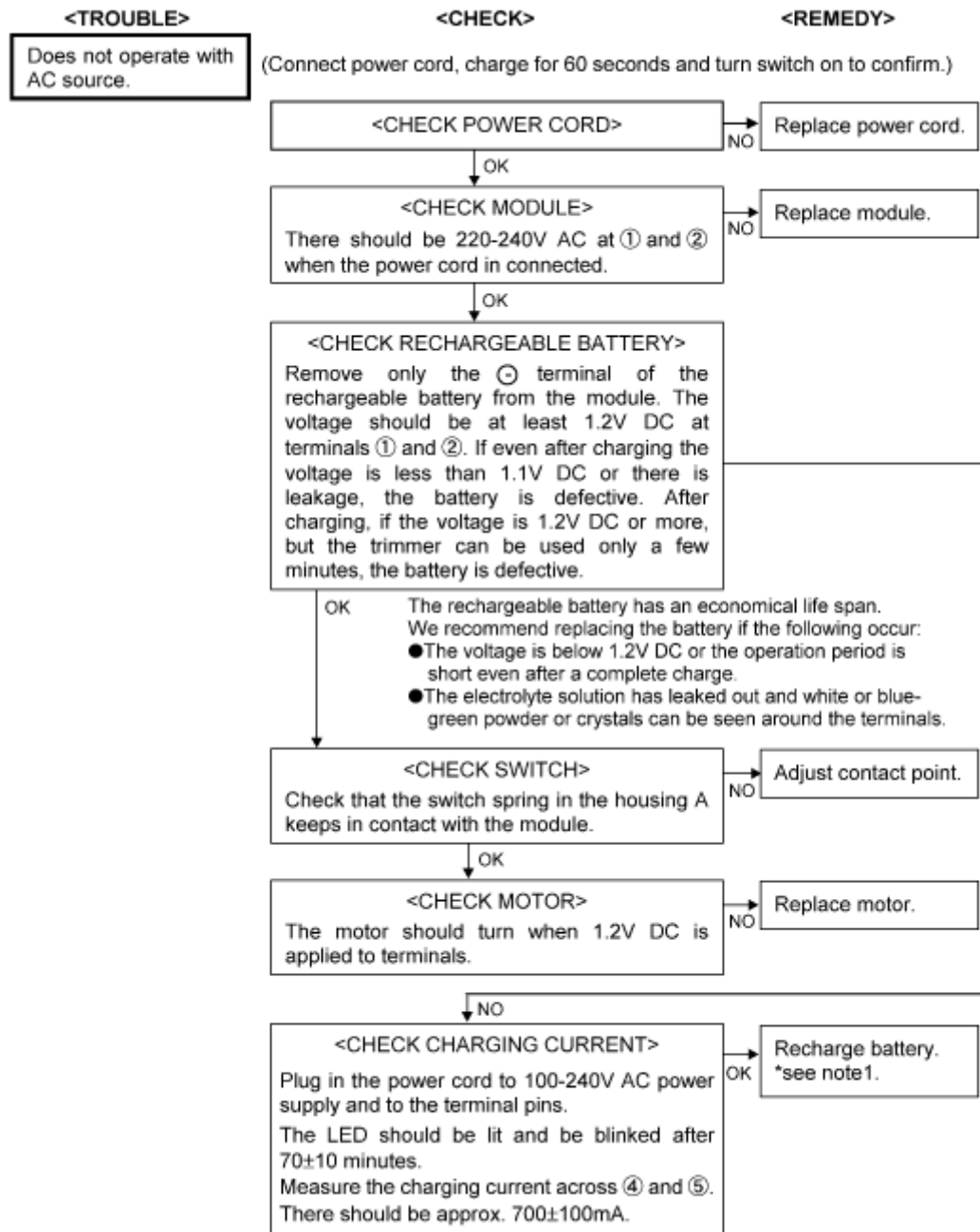
Ⓜ@

[TOP](#) [PREVIOUS](#) [NEXT](#)

4 TROUBLESHOOTING GUIDE

[TOP](#) [PREVIOUS](#) [NEXT](#)

*Refer to [WIRING CONNECTION DIAGRAM](#)



NOTE1: If after recharging has been completed the battery voltage is less than 1.1V DC or the charger/ will not more than 2 to 3 uses (5-10min.), replace the battery.

Ⓜ

[TOP](#) [PREVIOUS](#) [NEXT](#)

5 EXPLODED VIEW& REPLACEMENT PARTS LIST

[TOP](#) [PREVIOUS](#) [NEXT](#)

[5.1 EXPLODED VIEW FOR ER213](#)

[5.2 REPLACEMENT PARTS LIST FOR ER213](#)

[5.3 EXPLODED VIEW FOR ER215](#)

[5.4 REPLACEMENT PARTS LIST FOR ER215](#)

پ@

[TOP](#) [PREVIOUS](#) [NEXT](#)

5.2 REPLACEMENT PARTS LIST FOR ER213

[TOP](#) [PREVIOUS](#) [NEXT](#)

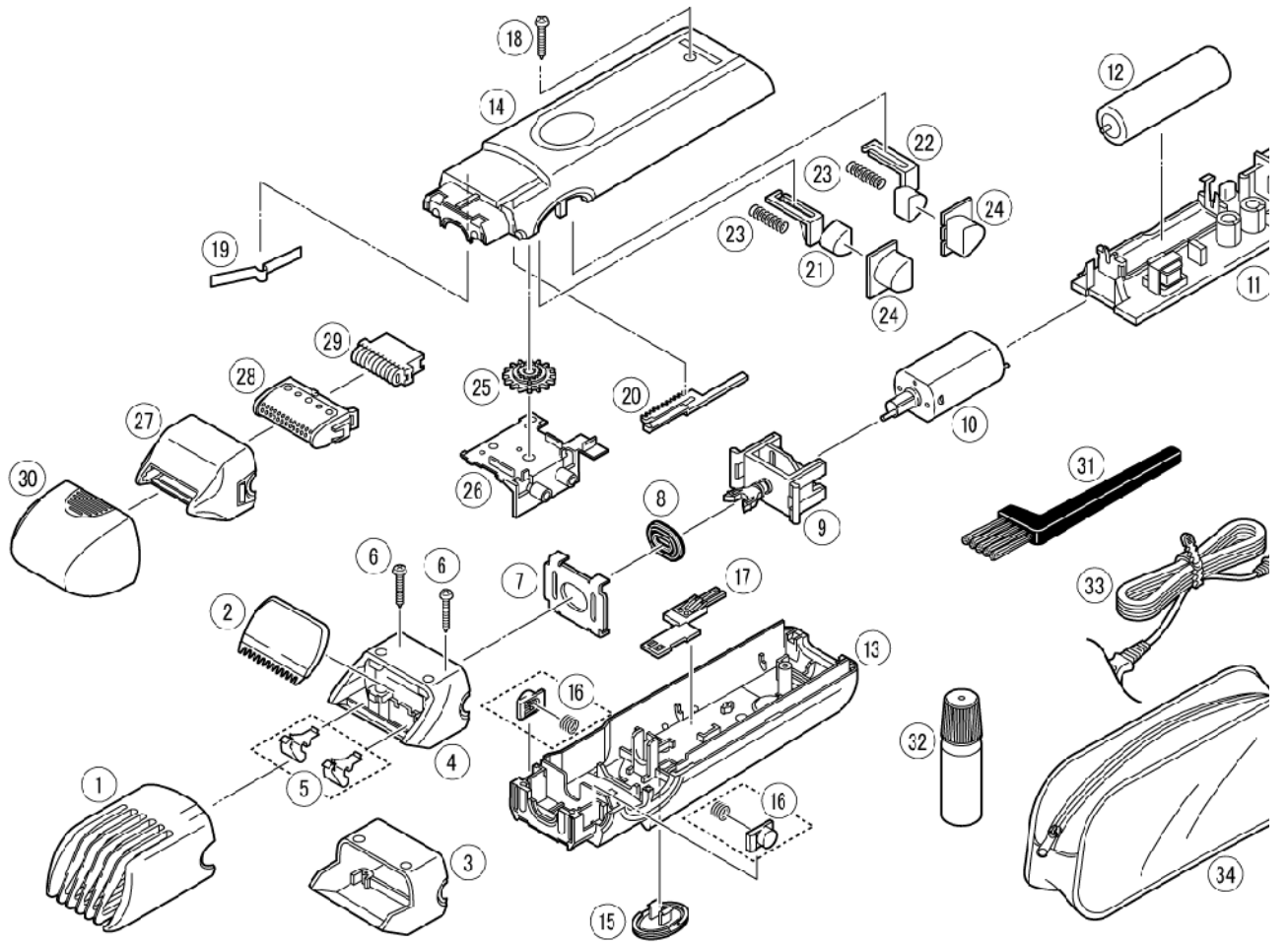
RMKS:* 1= Available individually.

Ref. No.	Part No.	Part Name& Description	Remarks	Per Unit
<u>1</u>	WER213K7398	COMB ATTACHMENT		1
<u>2</u>	WER966Y	BLADE BLOCK	for Panasonic	1
2	WER966E	BLADE BLOCK	for National	1
<u>3</u>	WER213H0008	BLADE HOLDER A		1
<u>4</u>	WER213H0018	BLADE HOLDER B		1
<u>5</u>	WER300R0167	SPRING FOR CUTTER		1
<u>6</u>	WER213K9288	SCREW	*1	2
<u>7</u>	WER213L0208	RETAINING PLATE		1
<u>8</u>	WES157L0327	WATER-PROOF RUBBER		1
<u>9</u>	WER213L1248	DRIVING HEAD		1
<u>10</u>	WER213L1008	MOTOR		1
<u>11</u>	WER213L2108	MODULE		1
<u>12</u>	WER213L2508	RECHARGEABLE BATTERY		1
<u>13</u>	WER213H3058	HOUSING A	for Panasonic	1
13	WER213H3059	HOUSING A	for National	1
<u>14</u>	WER213H3068	HOUSING B	for Panasonic	1
14	WER213H3069	HOUSING B	for National	1
<u>15</u>	WER213H3208	SWITCH HANDLE		1
<u>16</u>	WER213H3268	RELEASE BUTTON	*1	2
<u>17</u>	WER213L3578	SWITCH PLATE		1
<u>18</u>	WER203K6008	SCREW		1
<u>19</u>	WER213L0188	DIAL CLICK SPRING		1
<u>20</u>	WER213H0288	RACK		1
<u>21</u>	WER213H3588	UP BUTTON		1
<u>22</u>	WER213H3598	DOWN BUTTON		1
<u>23</u>	WER213L0198	SPRING	*1	2
<u>24</u>	WER213H3108	BUTTON COVER	*1	2
<u>25</u>	WER213H3288	DIAL		1
<u>26</u>	WER213H0208	DIAL PLATE		1
<u>31</u>	WER398B7058	CLEANING BRUSH		1
<u>32</u>	WER398B7918	OIL	for Panasonic	1

32	WER78503801	OIL		for National	1
33	WER203K2058	AC CORD		C-2 plug	1
34	WER213H7008	SOFT CASE			1
35	WER213H8008	INDIVIDUAL BOX		for Panasonic	1
35	WER213H8009	INDIVIDUAL BOX		for National	1
36	WER213L8108	OPERATING INSTRUCTIONS		for Panasonic	1
36	WER213L8109	OPERATING INSTRUCTIONS		for National	1



[TOP](#) [PREVIOUS](#) [NEXT](#)



5.4 REPLACEMENT PARTS LIST FOR ER215

[TOP](#) [PREVIOUS](#)

RMKS:* 1= Available individually.

Ref. No.	Part No.	Part Name& Description	Remarks	Per Unit
<u>1</u>	WER213K7398	COMB ATTACHMENT		1
<u>2</u>	WER966Y	BLADE BLOCK	for Panasonic	1
2	WER966E	BLADE BLOCK	for National	1
<u>3</u>	WER213H0008	BLADE HOLDER A		1
<u>4</u>	WER213H0018	BLADE HOLDER B		1
<u>5</u>	WER300R0167	SPRING FOR CUTTER		1
<u>6</u>	WER213K9288	SCREW	*1	2
<u>7</u>	WER213L0208	RETAINING PLATE		1
<u>8</u>	WES157L0327	WATER-PROOF RUBBER		1
<u>9</u>	WER213L1248	DRIVING HEAD		1
<u>10</u>	WER213L1008	MOTOR		1
<u>11</u>	WER213L2108	MODULE		1
<u>12</u>	WER213L2508	RECHARGEABLE BATTERY		1
<u>13</u>	WER215G3058	HOUSING A	for Panasonic	1
13	WER215G3059	HOUSING A	for National	1
<u>14</u>	WER215G3068	HOUSING B	for Panasonic	1
14	WER215G3069	HOUSING B	for National	1
<u>15</u>	WER213H3208	SWITCH HANDLE		1
<u>16</u>	WER213H3268	RELEASE BUTTON	*1	2
<u>17</u>	WER213L3578	SWITCH PLATE		1
<u>18</u>	WER203K6008	SCREW		1
<u>19</u>	WER213L0188	DIAL CLICK SPRING		1
<u>20</u>	WER215A0288	RACK		1
<u>21</u>	WER213H3588	UP BUTTON		1
<u>22</u>	WER213H3598	DOWN BUTTON		1
<u>23</u>	WER213L0198	SPRING	*1	2
<u>24</u>	WER213H3108	BUTTON COVER	*1	2
<u>25</u>	WER213H3288	DIAL		1
<u>26</u>	WER213H0208	DIAL PLATE		1
<u>27</u>	WER215H0048	FOIL FRAME		1
<u>28</u>	WES9787Y	OUTER FOIL	for Panasonic	1

28	WES9787E	OUTER FOIL		for National	1
29	WES9786Y	INNER BLADE		for Panasonic	1
29	WES9786E	INNER BLADE		for National	1
30	WER215H7158	PROTECTIVE CAP			1
31	WER398B7058	CLEANING BRUSH			1
32	WER398B7918	OIL		for Panasonic	1
32	WER78503801	OIL		for National	1
33	WER203K2058	AC CORD		C-2 plug	1
34	WER213H7008	SOFT CASE			1
35	WER215G8008	INDIVIDUAL BOX		for Panasonic	1
35	WER215G8009	INDIVIDUAL BOX		for National	1
36	WER213L8108	OPERATING INSTRUCTIONS		for Panasonic	1
36	WER213L8109	OPERATING INSTRUCTIONS		for National	1

پ@

[TOP](#) [PREVIOUS](#)