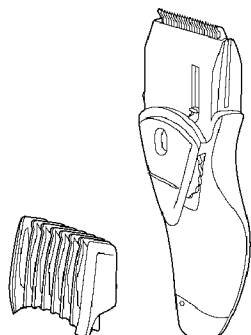


Service Manual

AC/Rechargeable Beard/Hair Trimmer

ER206-E2



SPECIFICATIONS

Power source	230V AC, 50Hz
Charging time	Standard 8 hours
Rated time	30 minutes
Weight	140g (Main unit with comb attachment) 300g (Adaptor)
Standard accessories	Comb attachment Soft case Oil Cleaning brush

WARNING

This service information is designed for experienced repair technicians only and is not designed for use by the general public. It does not contain warnings or cautions to advise non-technical individuals of potential dangers in attempting to service a product. Products powered by electricity should be serviced or repaired only by experienced professional technicians. Any attempt to service or repair the product or products dealt with in this service information by anyone else could result in serious injury or death.

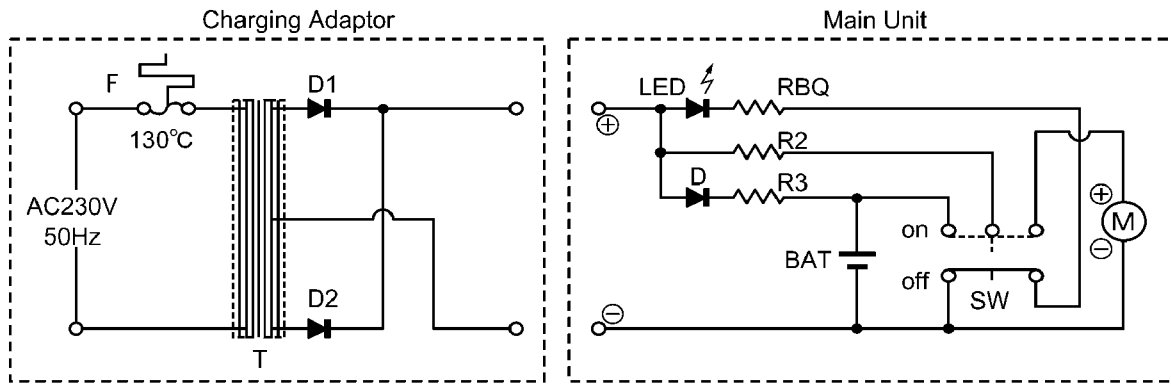
CONTENTS

	Page		Page
1 SCHEMATIC DIAGRAM	2	5 TROUBLESHOOTING GUIDE	5
2 WIRING CONNECTION DIAGRAM	2	6 EXPLODED VIEW	6
3 DISASSEMBLY INSTRUCTIONS	3	7 REPLACEMENT PARTS LIST	6
4 ASSEMBLY INSTRUCTIONS	4		

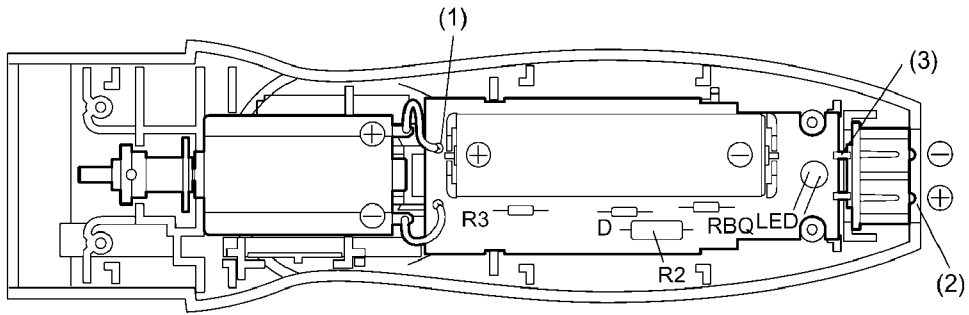
Panasonic

© 2004 Matsushita Electric Works, Ltd. All rights reserved. Unauthorized copying and distribution is a violation of law.

1 SCHEMATIC DIAGRAM



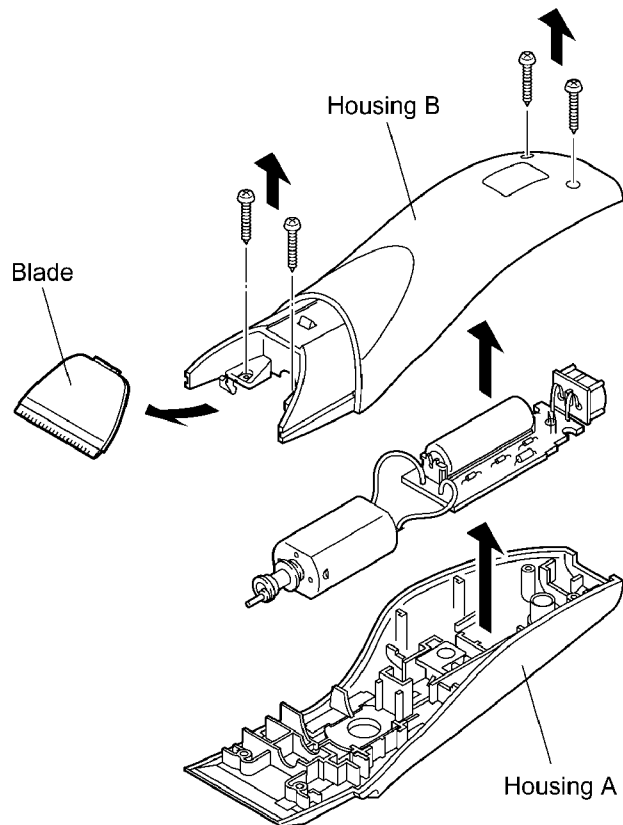
2 WIRING CONNECTION DIAGRAM



3 DISASSEMBLY INSTRUCTIONS

Follow the procedure below to disassemble the main body.

1. Remove the attachment and blade.
2. Loosen two screws tightening the blade spring and two housing screws.
3. Separate housing A and B by opening slowly.
4. Take out the motor, module and battery assembly from housing A.
5. Take out the rechargeable battery from battery holder.



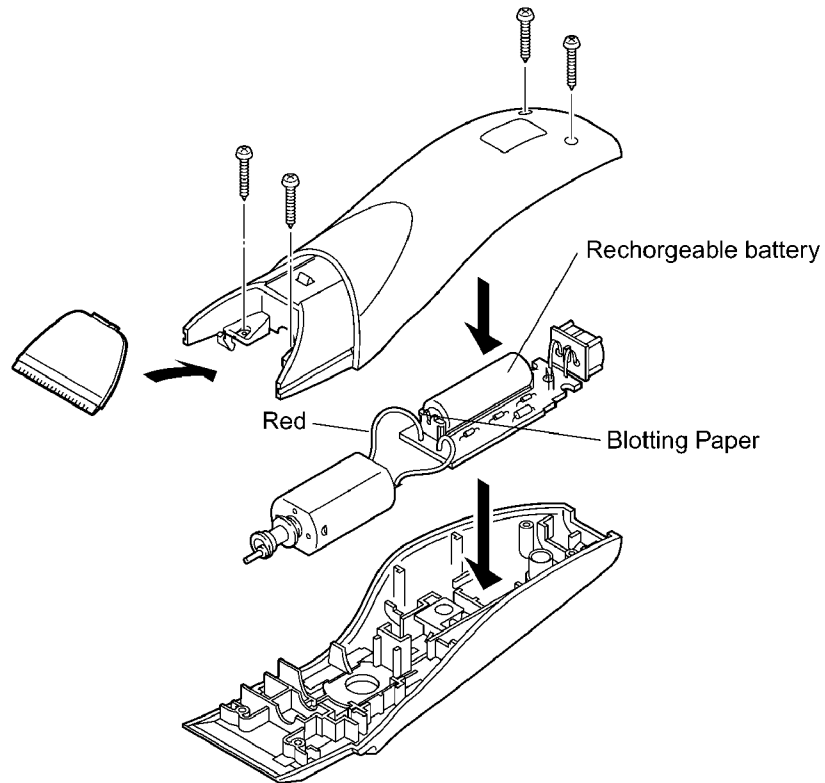
4 ASSEMBLY INSTRUCTIONS

1. Connect the motor with lead wires.
2. Insert the rechargeable battery with blotting paper.
3. Set the motor, module with battery assembly into housing A.

NOTE: Make sure to insert the boss of switch cover into the hole of connecting plate, and insert LED into the lamp cover of housing A.

NOTE: Make sure if the motor rotates when switching ON.

4. Close the housing A and B, and tighten four screws.



5 TROUBLESHOOTING GUIDE

(Refer to WIRING CONNECTION DIAGRAM)

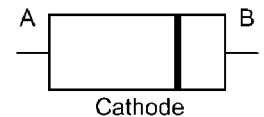
<TROUBLE>

<CHECK.>

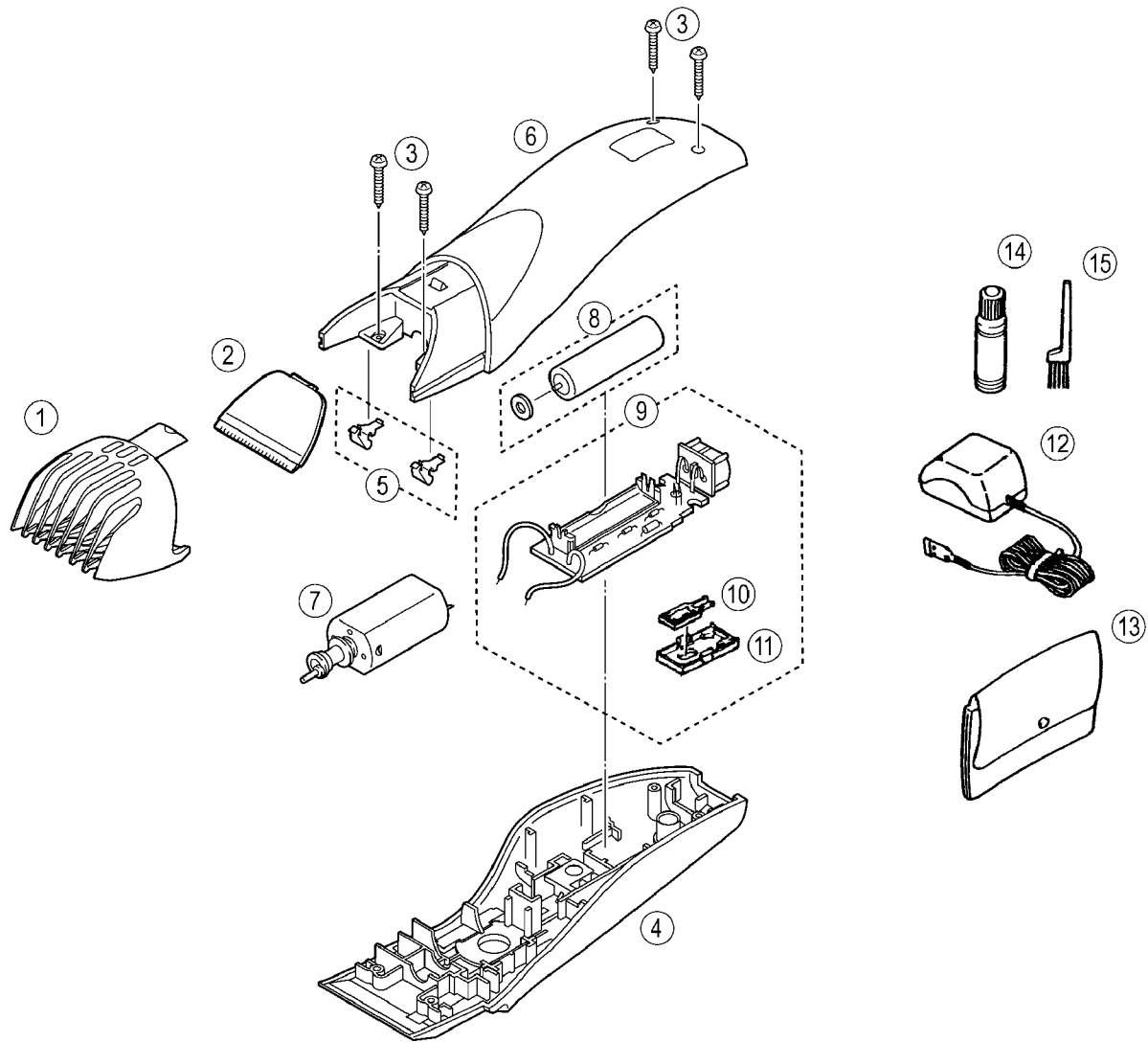
<REMEDY>

(Connect adaptor and charge for 10 seconds. Confirm if the switch turn ON.)

Does not operate.	<p align="center"><CHECK ADAPTOR.></p> <p>Supply rated voltage to the adaptor. OK if it is approx. DC 1.6 - 2.4V between the terminals of the plug.</p>	NO →	Replace adaptor.
	↓ OK		
	<p align="center"><CHECK SWITCH.></p> <p>Replace the battery. If there is continuity between (1) and (2) with switching ON, the switch is normal.</p>	NO →	Replace the switch terminal plate.
	↓ OK		
	<p align="center"><CHECK MOTOR.></p> <p>The motor should turn when 1.2V DC is applied tototerminals.</p>	NO →	Replace the motor.
	↓ OK		
	<p align="center"><CHECK MODULE. (RESISTER & DIODE)></p> <ol style="list-style-type: none"> Measurement of resistance values. RBQ = 100Ω R2 = 0.24Ω R3 = 3.3Ω Check polarity of diode. Tester range = 100Ω Ok if; - approximately 80Ω when (+) on (A) side and (-) on (B) side. - infinite when (+) and (-) reversed. <p>NOTE: The resistance value will vary depending on the internal resistance of the tester.</p>	NO →	Replace the module.
	↓ OK		
	<p align="center"><CHECK RECHARGEABLE BATTERY.></p> <p>Okay if the voltage of rechargeable battery is more than approximately 1.2V DC between (+) and (-) terminals.</p>	NO →	Replace rechargeable battery.
	↓ OK		
	<p align="center"><CHECK CHARGING CURRENT.></p> <ol style="list-style-type: none"> Unsolder (-) terminal of battery (3), and connect the adaptor to AC power supply with switch OFF. Measure the charging current if it is approximately 115±10mA. The case of LED does not lit even the charging adaptor is normal, either LED or RBQ may be damaged. 	OK →	Replace module.



6 EXPLODED VIEW



7 REPLACEMENT PARTS LIST

NOTE :

*A=available as an optional accessory

*B=only available as set

*C=available individually

Ref.No.	Part No.	Part Name & Descriptions	Remarks	Per Unit
1	WER206S7398	COMB ATTACHMENT		(BG) 1
2	WER9601Y	BLADE BLOCK		1
3	WER850B9007	P-TIGHT SCREW	*C K2-8	4
4	WER206K3058	HOUSING A		(BG) 1
5	WER561L0167	SPRING FOR CUTTER	*B (2PCS/PK)	2
6	WER206K3068	HOUSING B		(BG) 1
7	WER206L1008	MOTOR		(BG) 1
8	WER213L2508	RECHARGEABLE BATTERY	NI-MH TYPE	1
9	WER206L2108	MODULE		(BG) 1
10	WER206L3578	SWITCH TERMINAL PLATE		(BG) 1
11	WER230L3168	SWITCH COVER		1
12	WER206K7664	ADAPTOR	C-2 PLUG	(BG) 1
13	WER206K7008	SOFT CASE		(BG) 1
14	WER203X7918	OIL		1
15	WES76806761	CLEANING BRUSH		1
-	WER206K8008	INDIVIDUAL BOX		(BG) 1
-	WER206K8108	OPERATING INSTRUCTIONS		(BG) 1