

Service Manual

AC/Rechargeable Professional Hair Clipper

Model No. ER1511

Middle East
Korea



Please file and use this manual together with the service manual for Model No. ER1510, Order No.SD0801K36CE.

WARNING

This service information is designed for experienced repair technicians only and is not designed for use by the general public. It does not contain warnings or cautions to advise non-technical individuals of potential dangers in attempting to service a product. Products powered by electricity should be serviced or repaired only by experienced professional technicians. Any attempt to service or repair the product or products dealt with in this service information by anyone else could result in serious injury or death.

IMPORTANT SAFETY NOTICE


There are special components used in this equipment which are important for safety. These parts are marked by  in the Schematic Diagrams, Circuit Board Diagrams, Exploded Views and Replacement Parts List. It is essential that these critical parts should be replaced with manufacturer's specified parts to prevent shock, fire or other hazards. Do not modify the original design without permission of manufacturer.

TABLE OF CONTENTS

| | PAGE | PAGE |
|--|------|------|
| 1 Specifications | 2 | |
| 2 Exploded View and Replacement Parts List | 3 | |

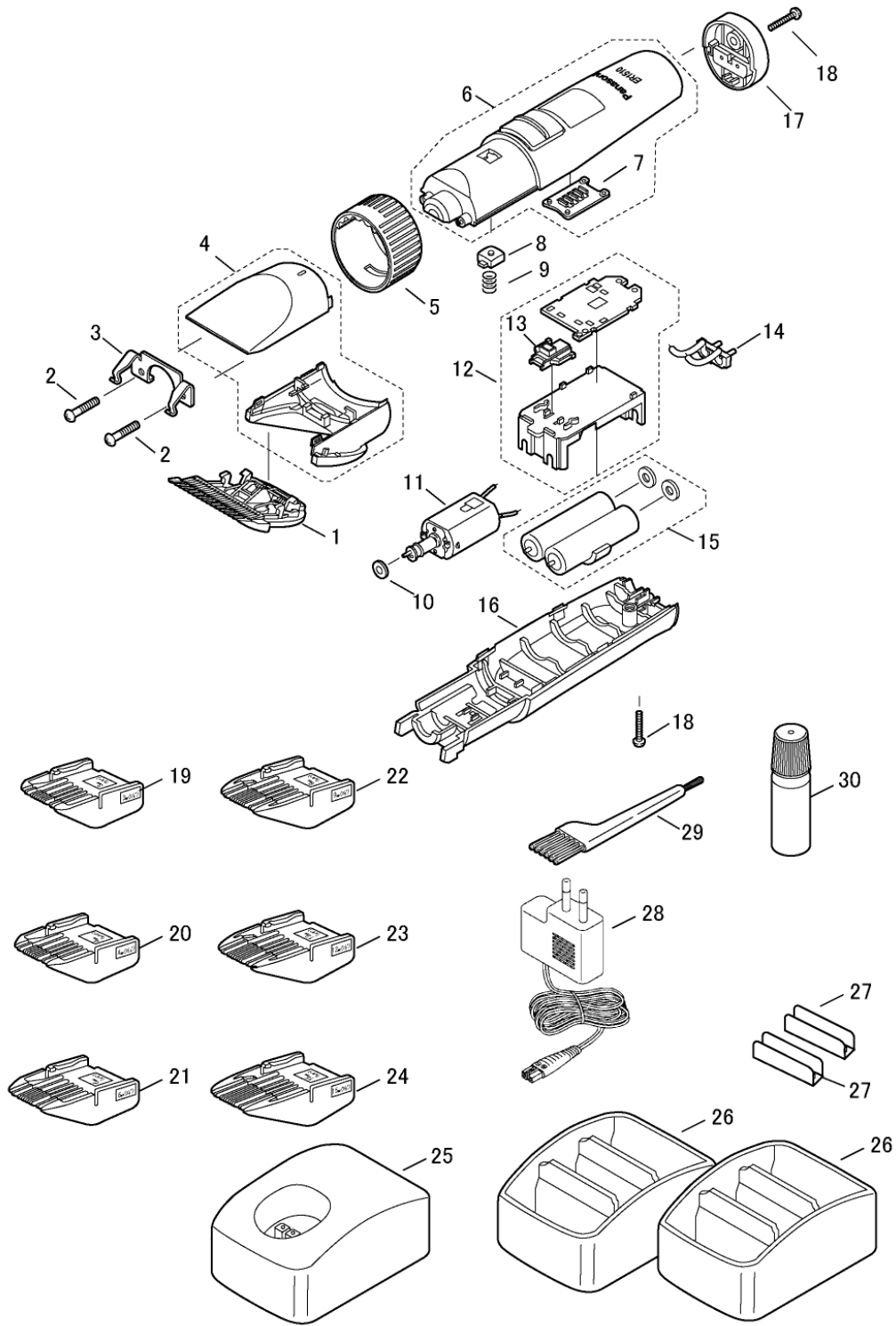
1 Specifications

| | |
|---------------|---|
| Power source | 100-240V AC, 50-60Hz (Automatic voltage conversion) |
| Charging time | 1 hour |
| Weight | 230g |

| | | |
|----------------------|---|-------------------------------|
| Supplied accessories | Middle East | Korea |
| | Comb attachment (3mm, 4mm, 6mm, 9mm, 12mm, 15mm) | Comb attachment (3mm, 4mm) |
| | Charging stand | - |
| | Comb attachment shelves (2 pieces) | - |
| | Connectors (2 pieces) | - |
| | Oil | |
| | Cleaning brush | |

2 Exploded View and Replacement Parts List

Model No. : ER1511 Exploded View



Model No. : ER1511 Parts List

| Safety | Ref. No. | Part No. | Part Name & Description | Q'ty | Remarks |
|--------|----------|--------------|-------------------------|------|-------------------------|
| | 1 | WER9900E | BLADE BLOCK | 1 | |
| | 2 | WER151L9206 | TAPPING SCREW | 2 | (K2.6-8) |
| | 3 | WER150L0167 | SPRING FOR CUTTER | 1 | |
| | 4 | WER1511S3968 | FRONT PANEL | 1 | (Middle East) |
| | 4 | WER1510S3969 | FRONT PANEL | 1 | (Korea) |
| | 5 | WER1510S3287 | ADJUSTING DIAL | 1 | |
| | 6 | WER1511S3058 | HOUSING A | 1 | |
| | 7 | WER1510L3177 | HOLDING PLATE | 1 | |
| | 8 | WER1510L0457 | DIAL CLICK BUTTON | 1 | |
| | 9 | WER154L0158 | DIAL CLICK SPRING | 1 | |
| | 10 | WER150L0137 | DUST-PROOF RUBBER | 1 | |
| | 11 | WER1510L1007 | MOTOR | 1 | |
| | 12 | WER1510L2107 | CHASSIS MODULE BLOCK | 1 | |
| | 13 | WER154L3578 | SWITCH CONTACT PLATE | 1 | |
| | 14 | WER154K2158 | PLUG BLOCK | 1 | |
| | 15 | WER154L2508 | RECHARGEABLE BATTERY | 2 | (Ni-Mh Type), (2PCS/PK) |
| | 16 | WER1511K3068 | HOUSING B | 1 | (Middle East) |
| | 16 | WER1511K3069 | HOUSING B | 1 | (Korea) |
| | 17 | WER1510K3177 | BOTTOM COVER | 1 | |
| | 18 | WER203K6006 | P-TIGHT SCREW | 2 | (K2-8) |
| | 19 | WER1510K7397 | COMB ATTACHMENT A | 1 | (3mm) |
| | 20 | WER1510K7407 | COMB ATTACHMENT B | 1 | (4mm) |
| | 21 | WER1510K7417 | COMB ATTACHMENT C | 1 | (6mm) |
| | 22 | WER1510K7497 | COMB ATTACHMENT D | 1 | (9mm) |
| | 23 | WER1510K7507 | COMB ATTACHMENT E | 1 | (12mm) |
| | 24 | WER1510K7517 | COMB ATTACHMENT F | 1 | (15mm) |
| | 25 | WER1511K7188 | CHARGING STAND | 1 | |
| | 26 | WER1510K7197 | COMB ATTACHMENT SHELF | 2 | |
| | 27 | WER1510K7287 | CONNECTOR | 2 | |
| | 28 | WER1511K7675 | CHARGING ADAPTOR | 1 | (C-2PLUG) |
| | 28 | WER1511K7671 | CHARGING ADAPTOR | 1 | (KS PLUG) |
| | 29 | WER1510K7087 | CLEANING BRUSH | 1 | |
| | 30 | WER203X7918 | OIL | 1 | |
| | - | WER1511K8008 | INDIVIDUAL BOX | 1 | (Middle East) |
| | - | WER1511K8009 | INDIVIDUAL BOX | 1 | (Korea) |
| | - | WER1511K8108 | OPERATING INSTRUCTIONS | 1 | (Middle East) |
| | - | WER1511K8109 | OPERATING INSTRUCTIONS | 1 | (Korea) |