

# Service Manual

Professional Hair Trimmer

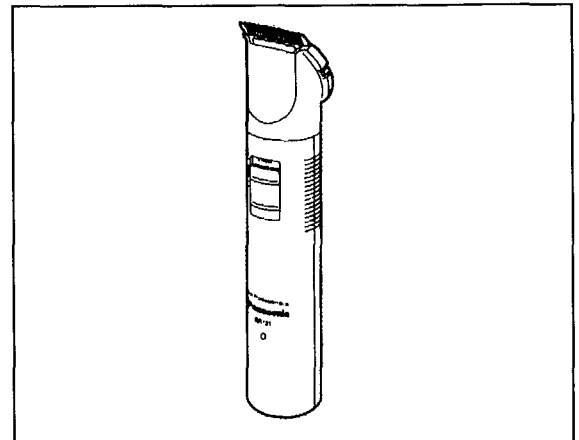
## ER121

### <SPECIFICATIONS>

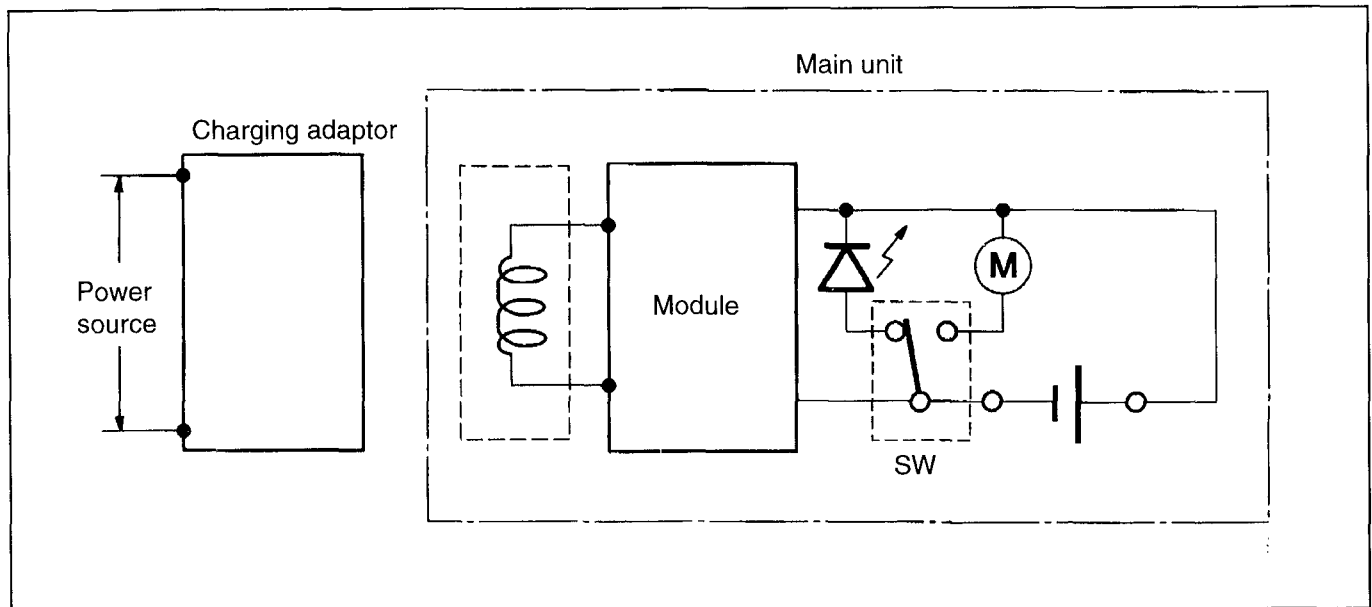
Power source : AC100-120/220-240, 50-60Hz  
 Power consumption : 2W  
 Charging time : 12-hour  
 Weight : 120g (main unit), 160g (Adaptor)

### <SUPPLIED ACCESSORIES>

Comp attachment (3/6mm)  
 Cleaning brush  
 Oil



## SCHEMATIC DIAGRAM



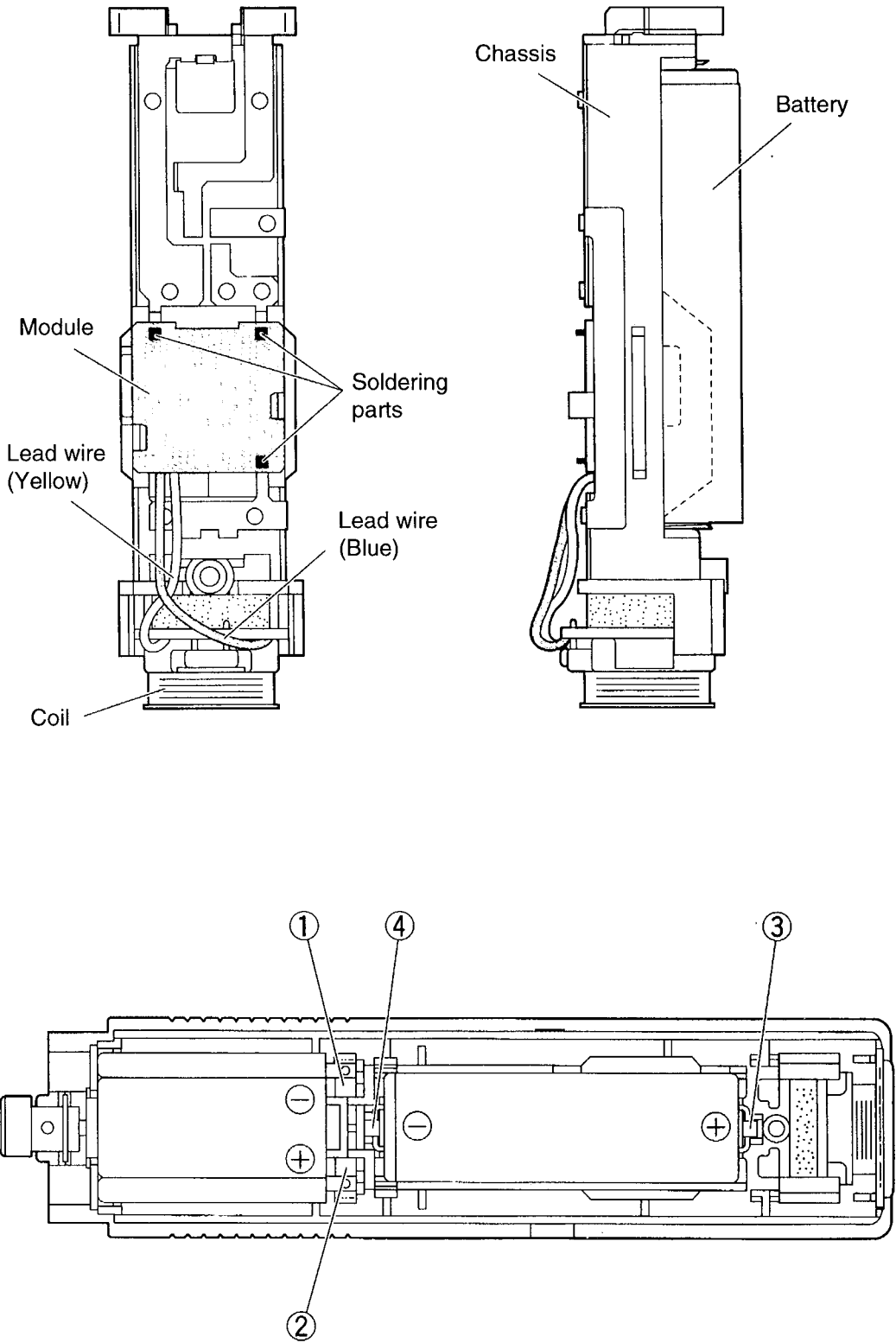
### ⚠WARNING

This service literature is designed for experienced repair technicians only and is not designed for use by the general public. It does not contain warnings or cautions to advise non-technical individuals of potential dangers in attempting to service a product. Products powered by electricity should be serviced or repaired only by experienced professional technicians. Any attempt to service or repair the product or products dealt with in this service information by anyone else could result in serious injury or death.

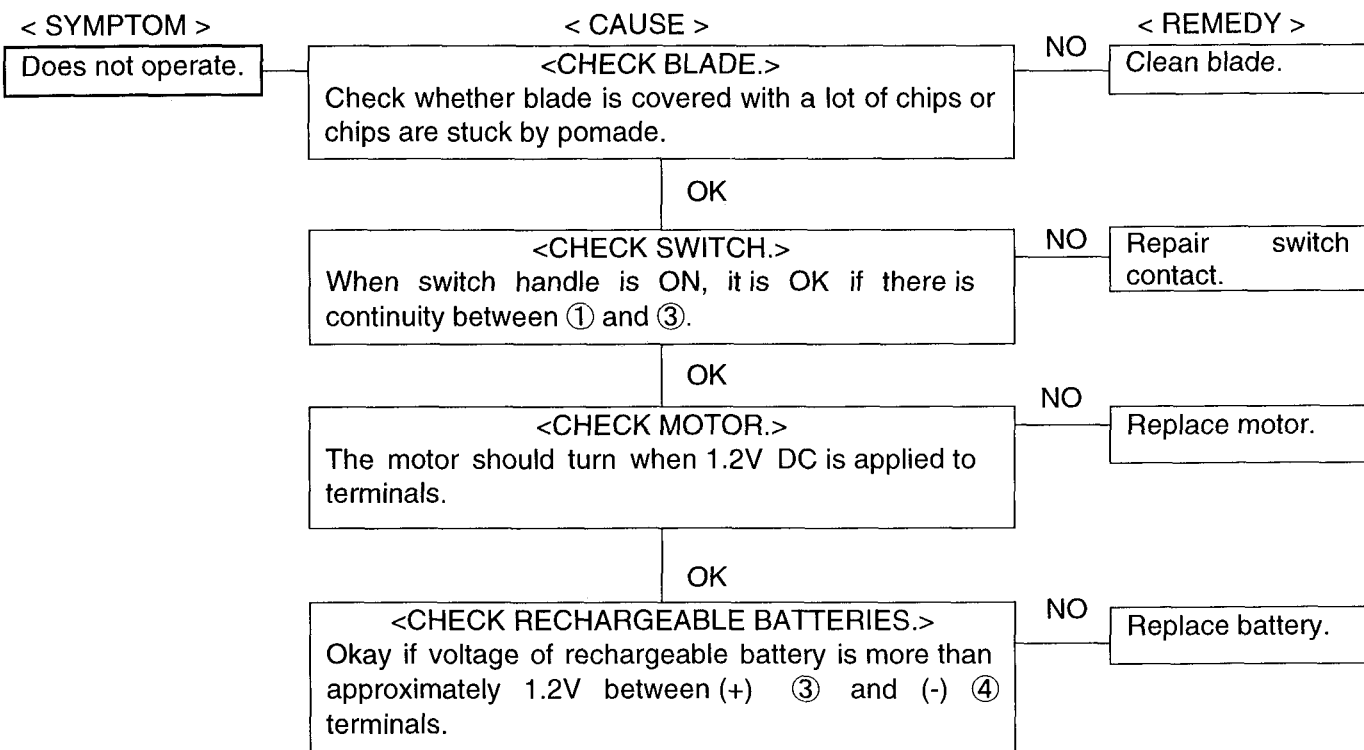
# Panasonic

©1999 Matsushita Electric Works, Ltd.  
 All rights reserved. Unauthorized copying  
 and distribution is a violation of law.

# WIRING CONNECTION DIAGRAM

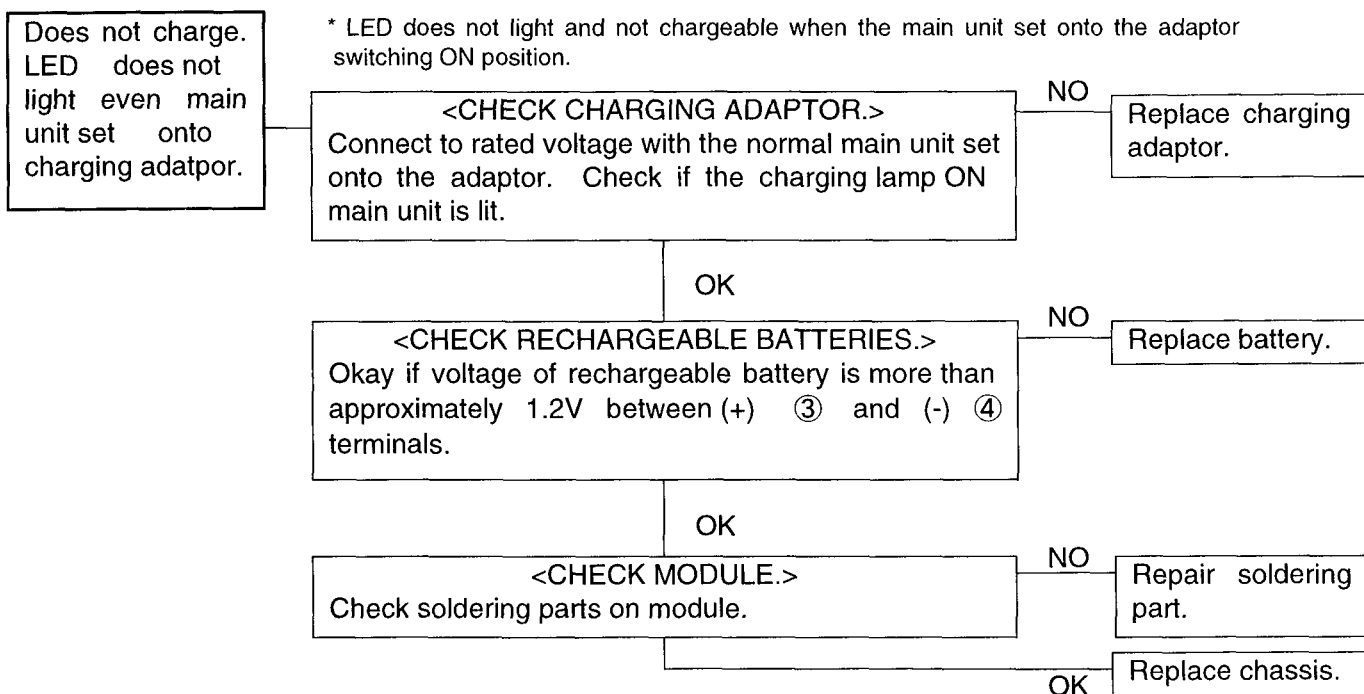


# TROUBLESHOOTING GUIDE



The rechargeable battery has an economic life span. We recommend replacing the battery if the following occur:

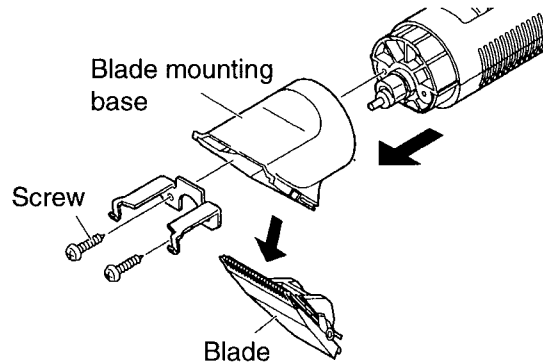
- The voltage is below 1.2V or the operation period is very short even after a complete charge.
- The electrolyte solution has leaked out and white or blue-green or crystals can be seen around the terminals.



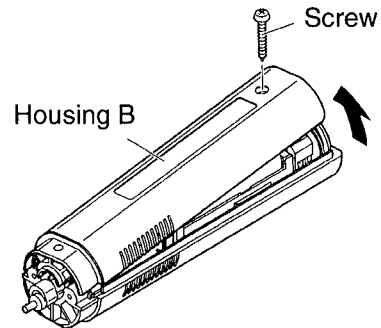
## DISASSEMBLY METHOD

Follow the procedure below to disassemble the main block.

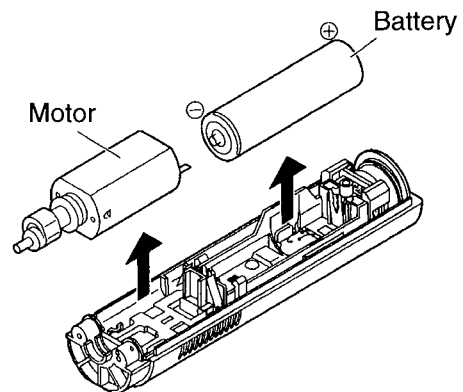
- ① Take out the blade and loosen the two screws to remove the blade mounting holder.



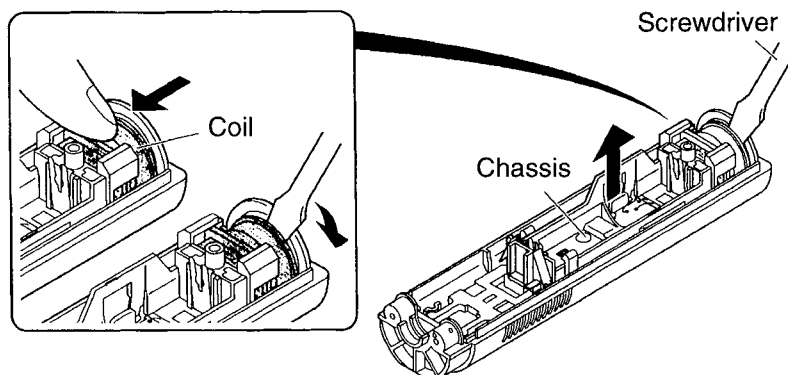
- ② Loosen one screw to separate housing A and B.



- ③ Take out the motor and battery.

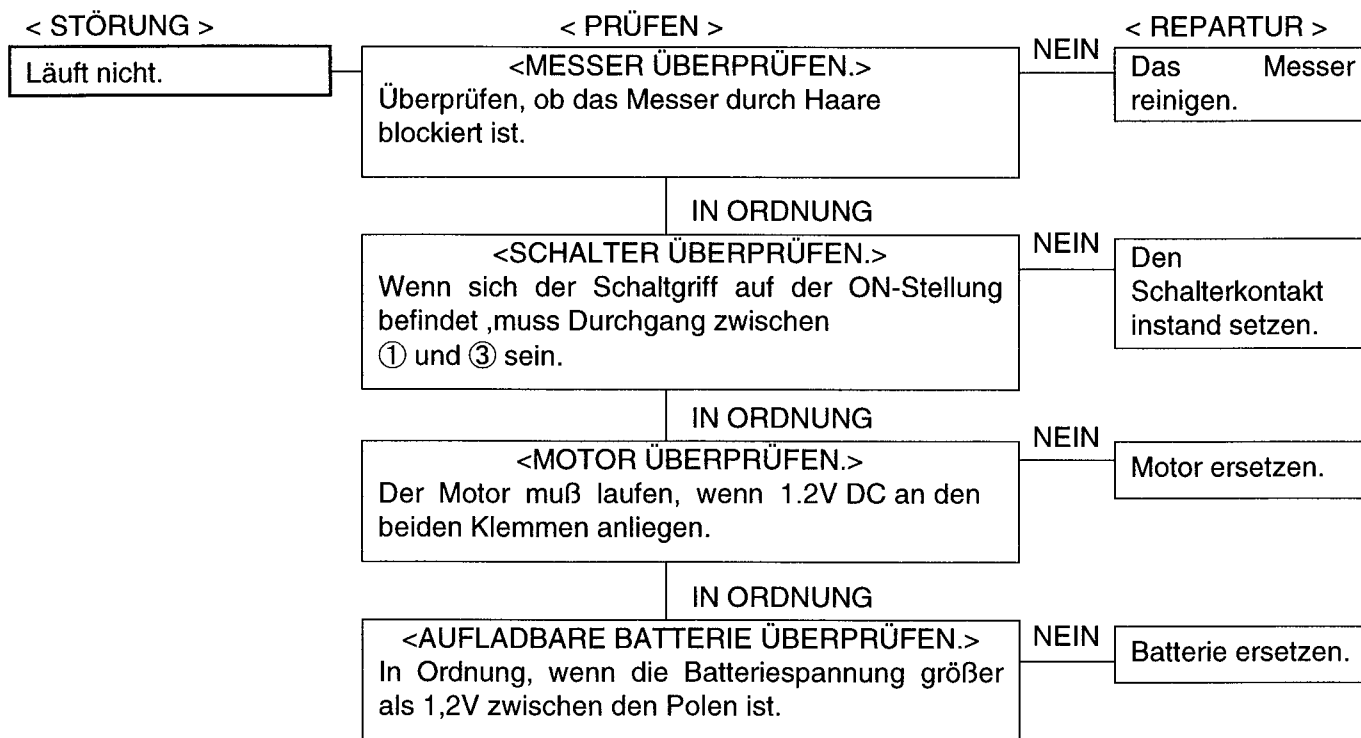


- ④ To remove the chassis block, make a tiny space between coil and housing A and inserting the flat-head screw driver.



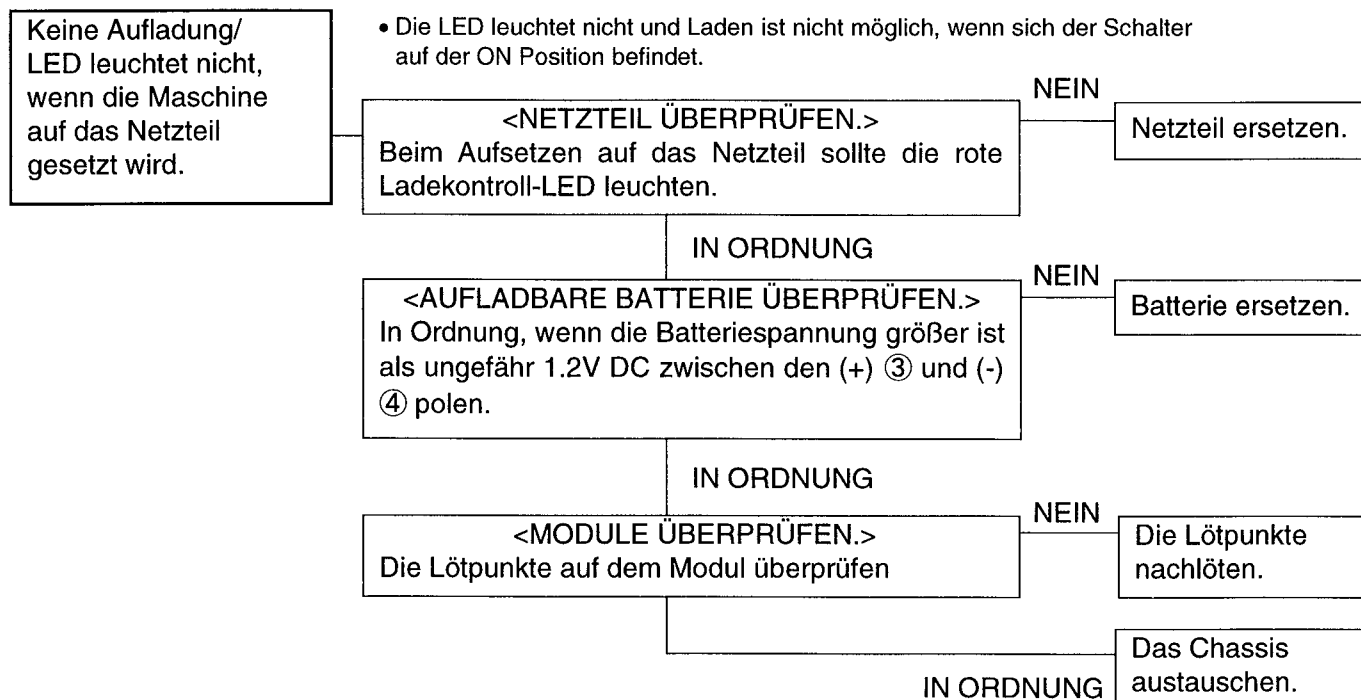
- ⑤ Remove the switch.

# FEHLERSUCHE



Die Akkumulatorbatterie hat eine begrenzte Lebensdauer. Die Batterie sollte ausgetauscht werden, wenn :

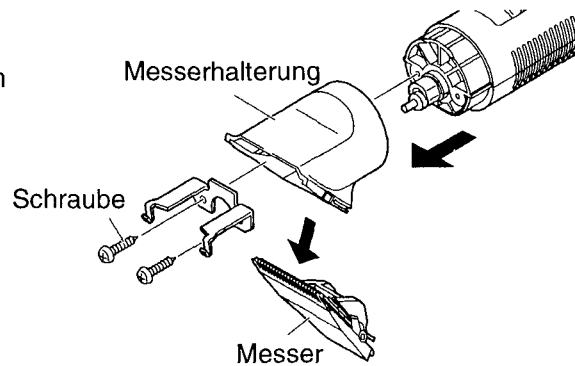
- die Batterie nach dem Aufladen entsprechend der vorgeschriebenen Ladezeit eine Batteriespannung von unter 1.2V DC hat oder die Nutzzeit extrem kurz ist.
- Die Batterie leck ist. Prüfen Sie die Batterie auf Lecks und die Klemmen auf Ablagerung von weißem oder grünlichem Pulver.



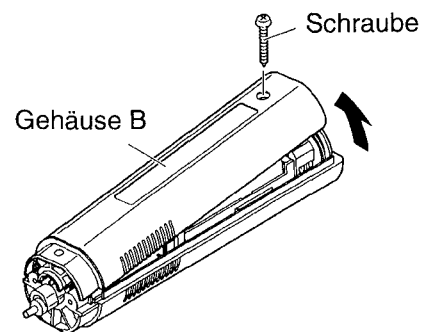
## ZERLEGEN UND ZUSAMMENBAU

Folgen Sie sich beim Zerlegen des Hauptblocks der nachstehenden Anleitung :

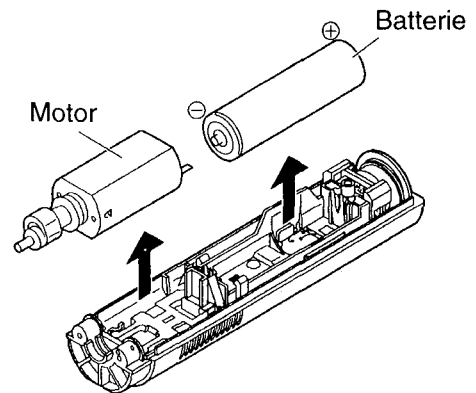
- ① Das Messer herausnehmen und zwei Schrauben lösen, um den Messereinbauhalter herauszunehmen.



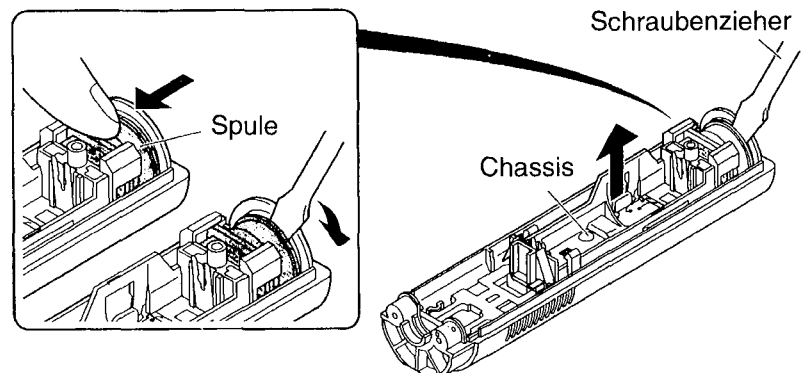
- ② Eine Schraube lösen, um die Gehäuse A und B zu trennen.



- ③ Den Motor und die Batterie herausnehmen.

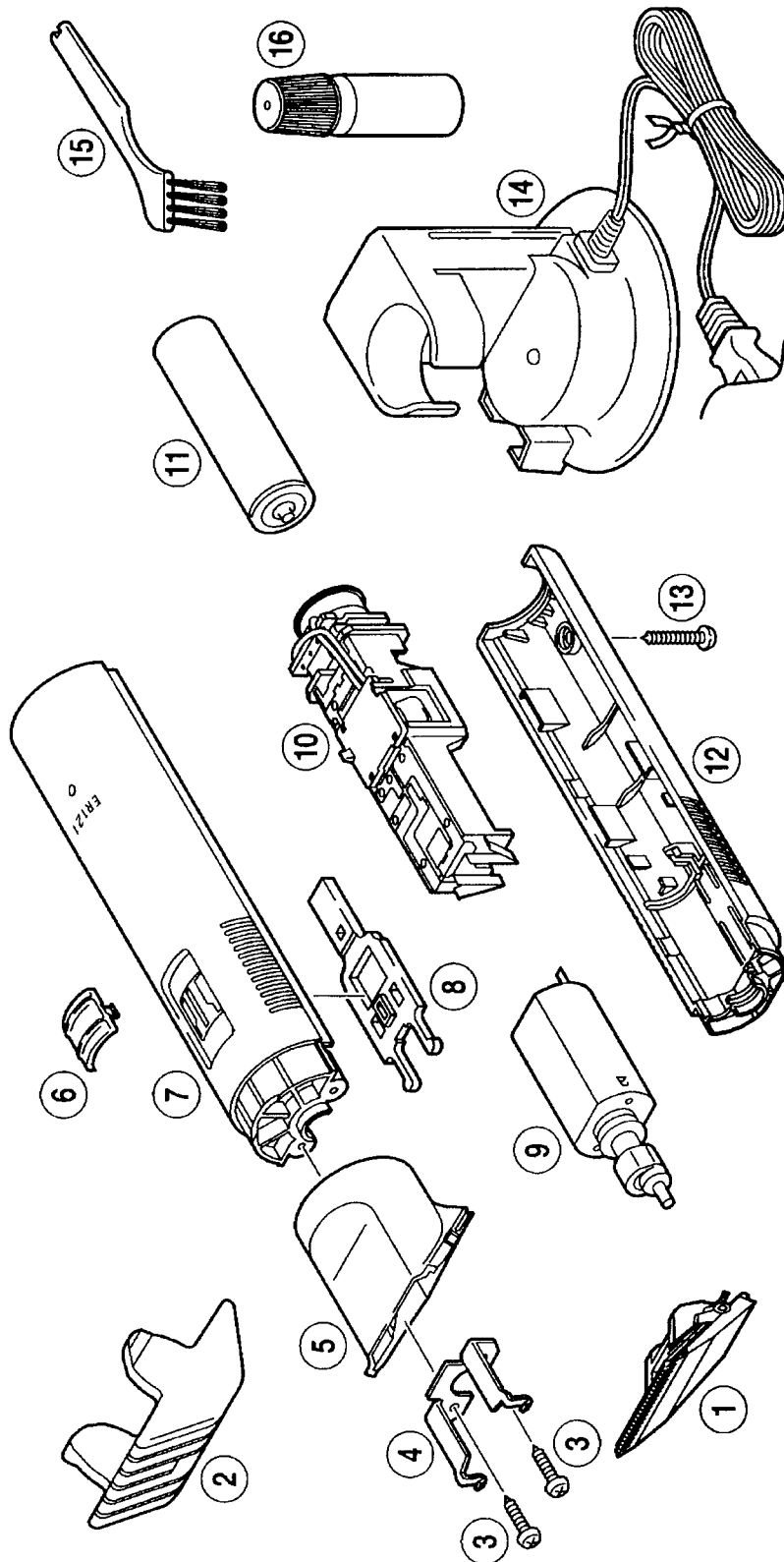


- ④ Der Cassisblock lässt sich aus dem Gehäuse aushebeln, indem ein flacher Schraubenzieher zwischen der Spule und dem Gehäuse angesetzt wird.



- ⑤ Den Schalter entfernen.

**EXPLODED VIEW**



<b>REPLACEMENT PARTS LIST</b>
-------------------------------

NOTE : \*A...available as an optional accessory

\*B...only available as set

\*C...available individually

Ref.No.	Part No.	Part Name & Descriptions	Per unit	Remarks
1	WER935Y	BLADE BLOCK	1	
2	WER121H7397	COMP ATTACHMENT	1	3/6 mm
3	WER203K6008	SCREW	2	*C
4	WER121L0167	SPRING FOR CUTTER	1	
5	WER121S0007	BLADE HOLDER	1	
6	WER121H3207	SWITCH HANDLE	1	
7	WER121H3068	HOUSING A	1	
8	WER121L3967	SWITCH PLATE	1	
9	WER121L1007	MOTOR	1	
10	WER121L0778	CHASSIS & MODULE ASSEMBLY	1	
11	WER121L2508	RECHARGEABLE BATTERY	1	
12	WER121H3078	HOUSING B	1	
13	WES691B9277	TAPPING SCREW	1	K2-16
14	WER121H7659	CHARGING ADAPTOR	1	C-2 PLUG
14	WER121H7665	CHARGING ADAPTOR	1	SOUTH AMERICA
15	WES76806761	CLEANING BRUSH	1	
16	WER203X7918	OIL	1	
—	WER121H8008	INDIVIDUAL BOX	1	
—	WER121H8108	OPERATING INSTRUCTIONS	1	EUROPE
—	WER121H8109	OPERATING INSTRUCTIONS	1	SOUTH AMERICA