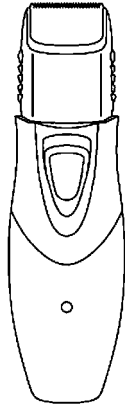


Service Manual

Body and Face Grooming Kit

Model No. **ER-GY10**

Middle East



⚠ WARNING

This service information is designed for experienced repair technicians only and is not designed for use by the general public. It does not contain warnings or cautions to advise non-technical individuals of potential dangers in attempting to service a product. Products powered by electricity should be serviced or repaired only by experienced professional technicians. Any attempt to service or repair the product or products dealt with in this service information by anyone else could result in serious injury or death.

IMPORTANT SAFETY NOTICE

There are special components used in this equipment which are important for safety. These parts are marked by **⚠** in the Schematic Diagrams, Circuit Board Diagrams, Exploded Views and Replacement Parts List. It is essential that these critical parts should be replaced with manufacturer's specified parts to prevent shock, fire or other hazards. Do not modify the original design without permission of manufacturer.

TABLE OF CONTENTS

	PAGE	PAGE
1 Warning -----	2	
2 Specifications -----	2	
3 Troubleshooting Guide -----	3	
4 Disassembly and Assembly Instructions -----	4	
5 Wiring Connection Diagram -----	9	
6 Schematic Diagram -----	10	
7 Exploded View and Replacement Parts List -----	11	

1 Warning

Caution:

- Pb free solder has a higher melting point than standard solder; Typically the melting point is 50 - 70°F (30 - 40°C) higher. Please use a soldering iron with temperature control and adjust it to 750 ± 20°F (400 ± 10°C). In case of using high temperature soldering iron, please be careful not to heat too long.
- Pb free solder will tend to splash when heated too high (about 1100°F / 600°C).

2 Specifications

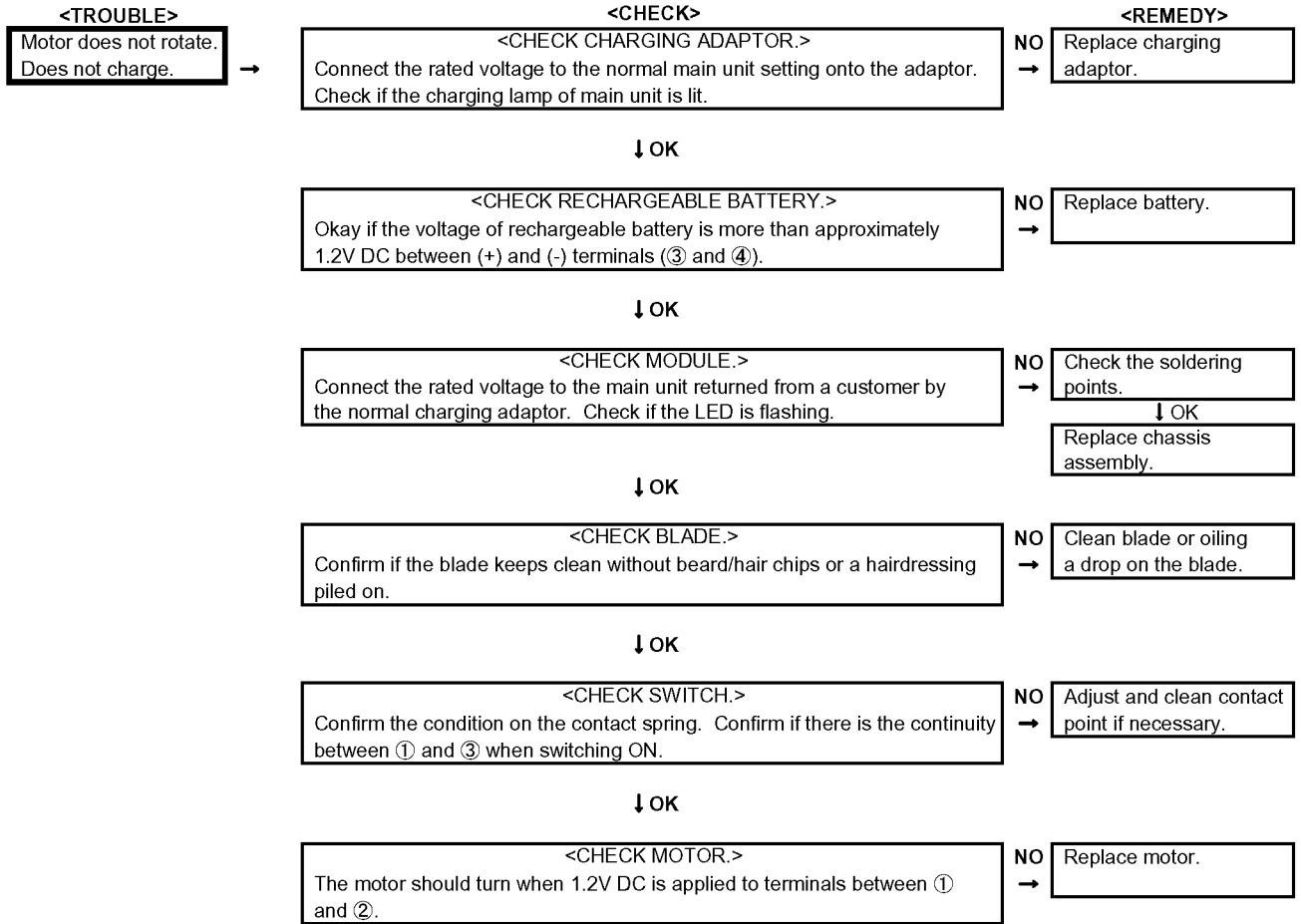
Power source	AC 100-240V, 50-60Hz
Power consumption	Approx. 2.0W
Motor voltage	1.2V DC
Rated time	Approx. 50 minutes
Charging time	8 Hours
	10 Hours (Saudi Arabia Only)
Weight	126g

Supplied accessories	Comb attachment for moustache
	Comb attachment for hair
	Comb attachment for body hair
	Comb attachment for underarms/bikini area
	Comb attachment storage tray
	Cleaning brush
	Oil

3 Troubleshooting Guide

(Refer to Wiring Connection Diagram)

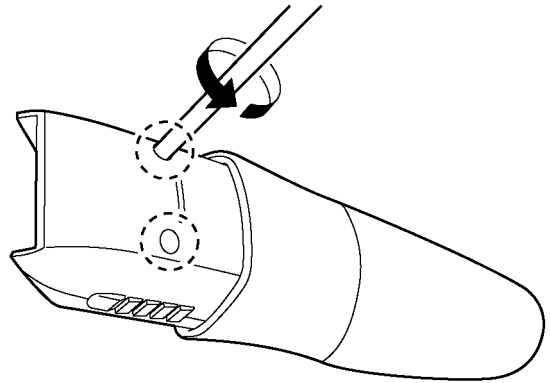
NOTE: The unit can not charge when the switch turns ON and the charging lamp may not light also.



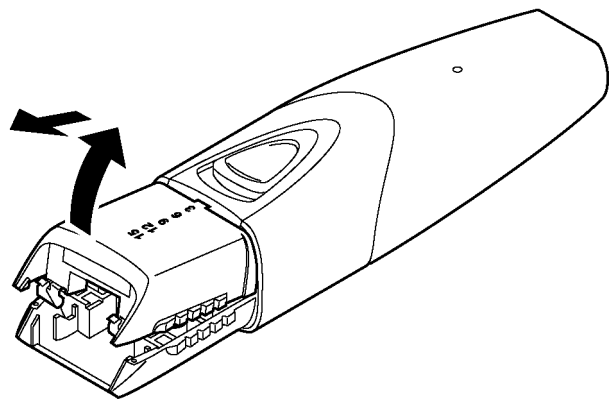
4 Disassembly and Assembly Instructions

4.1. Disassembly Instructions

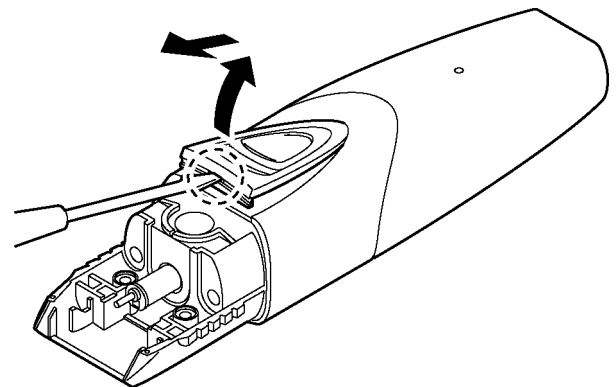
1. Remove the attachment and the blade.
2. Loosen two housing screws.



3. Remove the housing C.



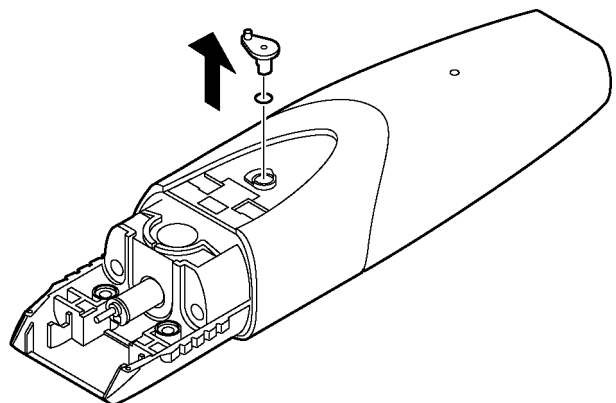
4. Insert the flat-head screwdriver into the hole of switch handle and raise it up.



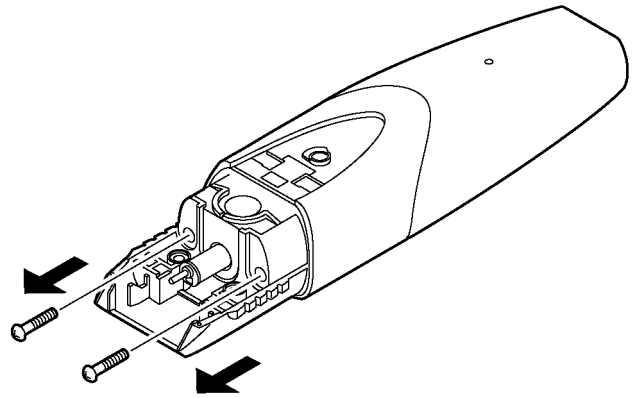
5. Take out the switch cam and the O-ring.

NOTE:

Make sure not to lose them.



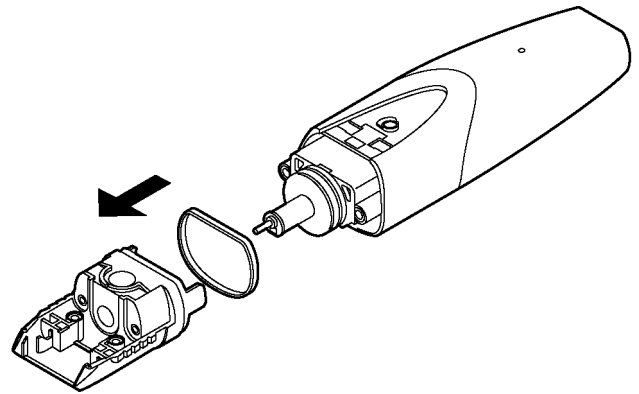
6. Loosen two screws on top.



7. Take out the housing B.

NOTE:

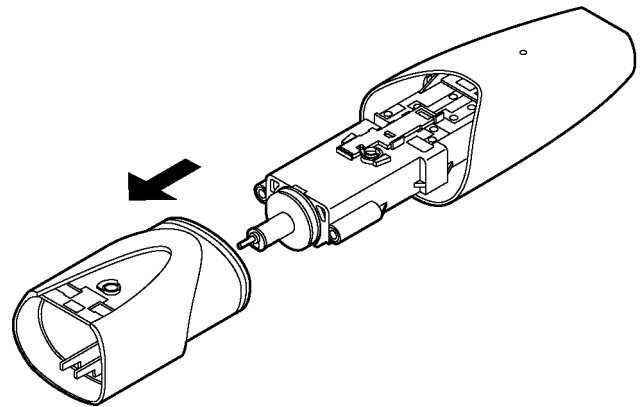
Make sure not to lose the O-ring.



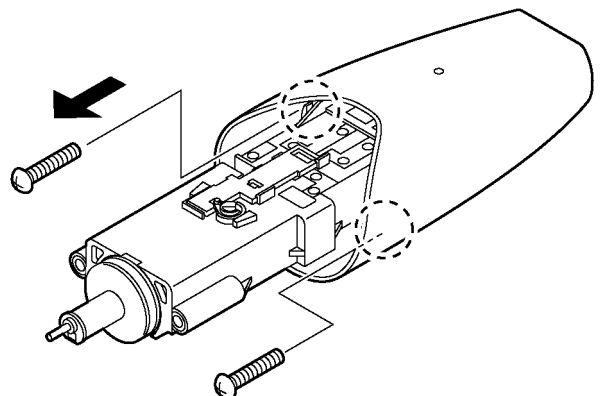
8. Remove the housing A.

NOTE:

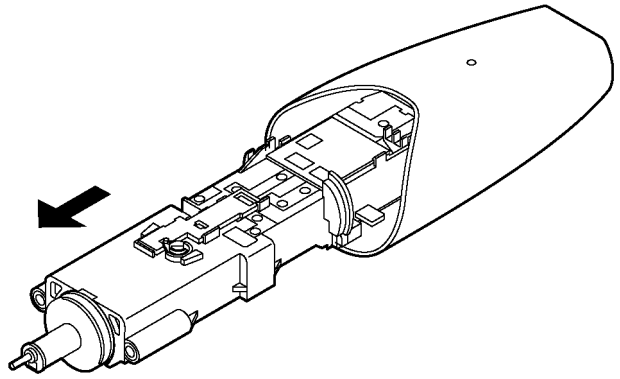
Make sure not to lose two screw O-rings.



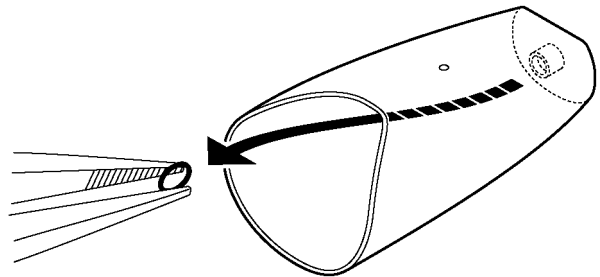
9. Loosen two screws.



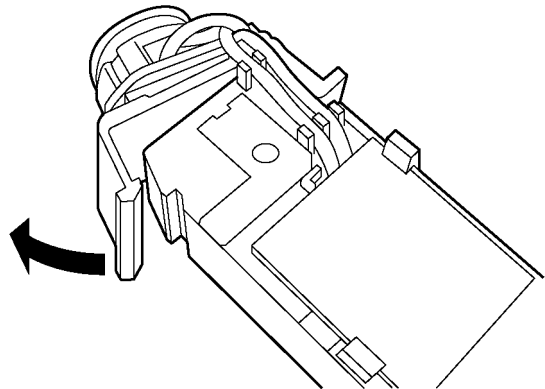
10. Take out the chassis assembly.



11. Take out the O-ring from the bottom of battery cover.



12. Unhook the terminal base from the chassis.



4.2. Assembly Instructions

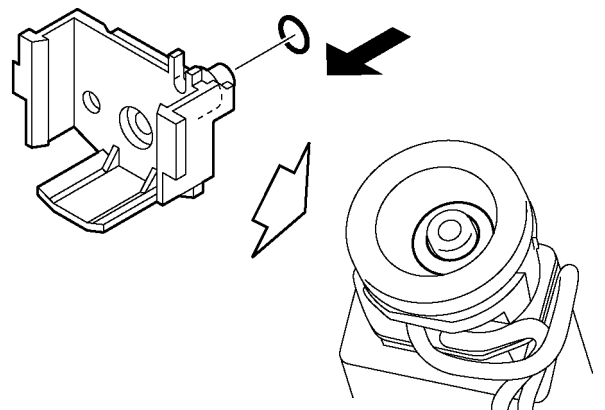
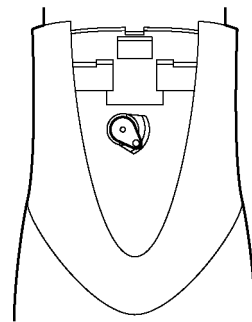
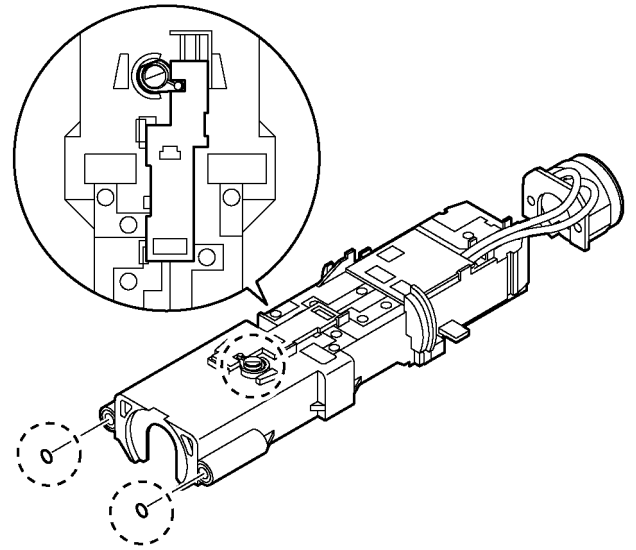
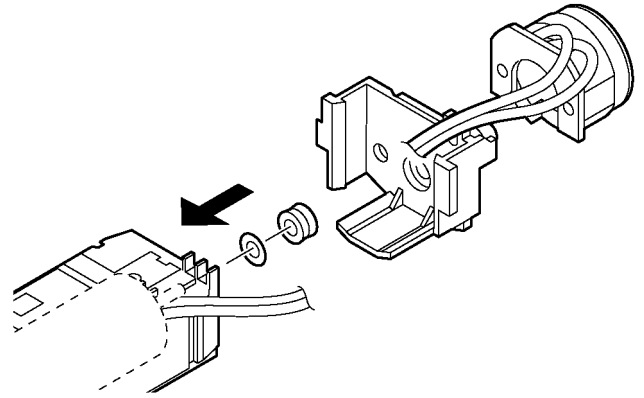
1. Chassis assembly

Make sure to attach the washer and the O-ring with the battery terminal.

Place the switch cam B into the hole of chassis. Make sure that the projection of switch cam is placed on 4 o'clock position. Be sure to attach the O-rings.

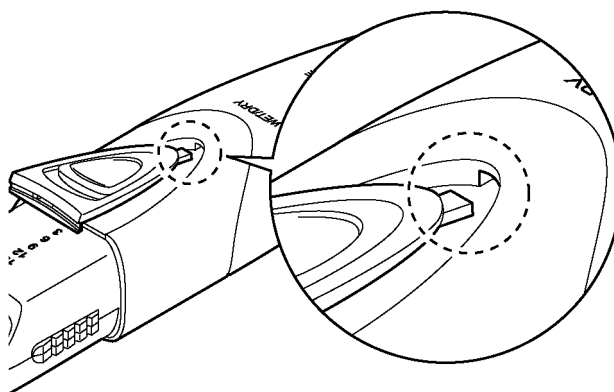
Attach the O-ring and set the coil on the terminal base.

Tighten two screws with the magnetize screwdriver.



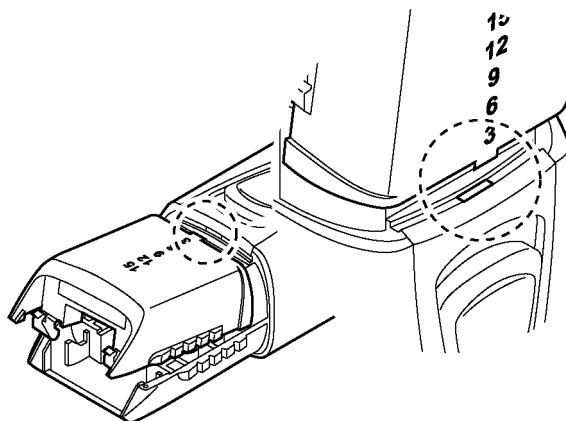
2. Switch handle

Fit the hook of switch handle into the hole of housing.
Place fit the switch handle with OFF position.

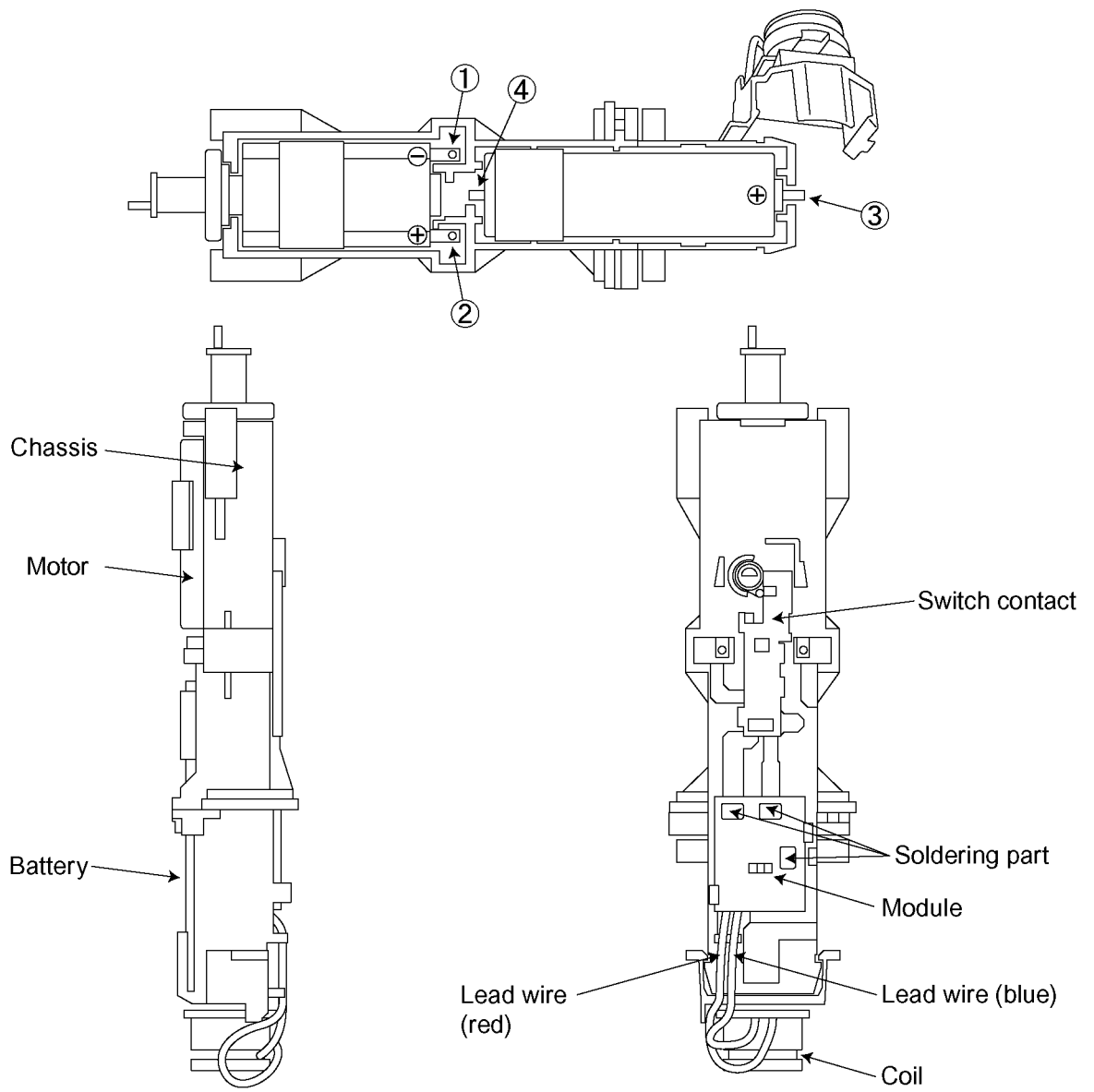


3. Housing C

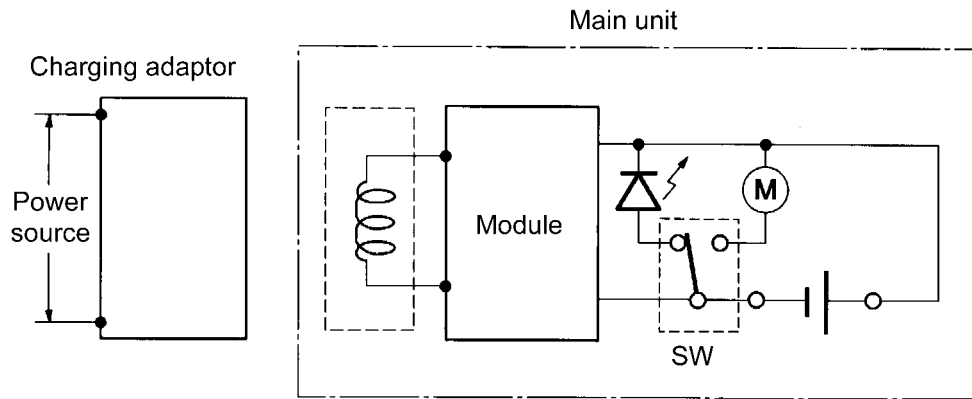
Fit the hook of housing C into the hole of housing.



5 Wiring Connection Diagram

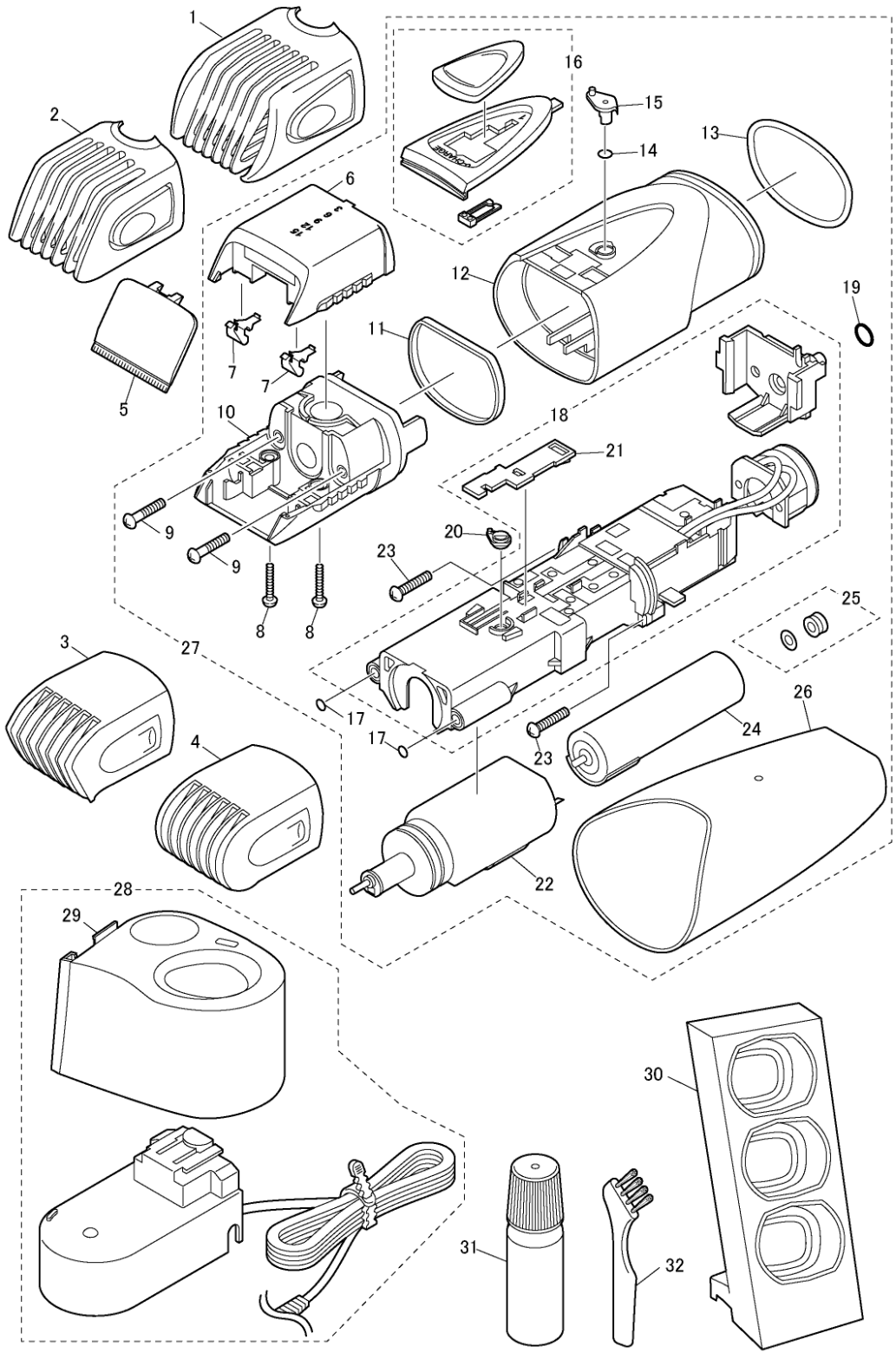


6 Schematic Diagram



7 Exploded View and Replacement Parts List

Model No. : ER-GY10 Exploded View



Model No. : ER-GY10 Parts List

Safety	Ref. No.	Part No.	Part Name & Description	Q'ty	Remarks
	1	WERGY10K7398	COMB ATTACHMENT FOR MOUSTACHE	1	
	2	WERGY10K7399	COMB ATTACHMENT FOR HAIR	1	
	3	WERGY10K7390	COMB ATTACHMENT FOR BODY HAIR	1	
	4	WERGY10K7391	COMB ATTACHMENT FOR UNDERARMS/BIKINI AREA	1	
	5	WER9606E	BLADE BLOCK	1	
	6	WER2405K3077	HOUSING C	1	
	7	WER504L0167	SPRING FOR CUTTER	2	
	8	WER2405K6057	TAPPING SCREW	2	
	9	WES7025L9707	SCREW	2	
	10	WER2405K3067	HOUSING B	1	
	11	WER2405L0977	HOUSING B O-RING	1	
	12	WER2405K3057	HOUSING A	1	
	13	WER2405L0987	HOUSING O-RING	1	
	14	WER221L0986	SWITCH O-RING	1	
	15	WER2405L1677	CAM	1	
	16	WER2405S3208	SWITCH HANDLE	1	
	17	WER217L0967	SWITCH O-RING	2	(6PCS/PK)
	18	WER2405L0777	CHASSIS	1	
	19	WER2405L0997	O-RING	1	
	20	WER2405L1667	SWITCH CAM	1	
	21	WER2405L3577	SWITCH CONTACT	1	
	22	WER2405L1007	MOTOR	1	
	23	WER2405K6067	SCREW	2	
	24	WES2047L2508	RECHARGEABLE BATTERY	1	(NI-MH TYPE), (2PCS/PK)
	25	WES7025L0977	WASHER & O-RING SET	1	
	26	WERGY10K3128	BATTERY COVER	1	
	27	WERGY10K3038	BODY BLOCK	1	
	28	WERGY10K7675	ADAPTOR	1	(C-2 PLUG)
	28	WERGY10K7685	ADAPTOR	1	(BF-3 PLUG), (Saudi Arabia Only)
	29	WERGY10K7198	CHARGING STAND CASE	1	
	30	WERGY10X7188	COMB ATTACHMENT STORAGE TRAY	1	
	31	WER203X7918	OIL	1	
	32	WES655B7257	CLEANING BRUSH	1	
	-	WERGY10K8009	INDIVIDUAL BOX	1	
	-	WERGY10K8000	INDIVIDUAL BOX	1	(Saudi Arabia Only)
	-	WERGY10K8109	OPERATING INSTRUCTIONS	1	