

# Service Manual

Rechargeable Professional Hair Clipper

Model No. **ER-GP21**

**America**



## **⚠ WARNING**

This service information is designed for experienced repair technicians only and is not designed for use by the general public. It does not contain warnings or cautions to advise non-technical individuals of potential dangers in attempting to service a product. Products powered by electricity should be serviced or repaired only by experienced professional technicians. Any attempt to service or repair the product or products dealt with in this service information by anyone else could result in serious injury or death.

## **IMPORTANT SAFETY NOTICE**

There are special components used in this equipment which are important for safety. These parts are marked by  $\triangle$  in the Schematic Diagrams, Circuit Board Diagrams, Exploded views and Replacement Parts List. It is essential that these critical parts should be replaced with manufacture's specified parts to prevent shock, fire or other hazards. Do not modify the original design without permission of manufacturer.

## **TABLE OF CONTENTS**

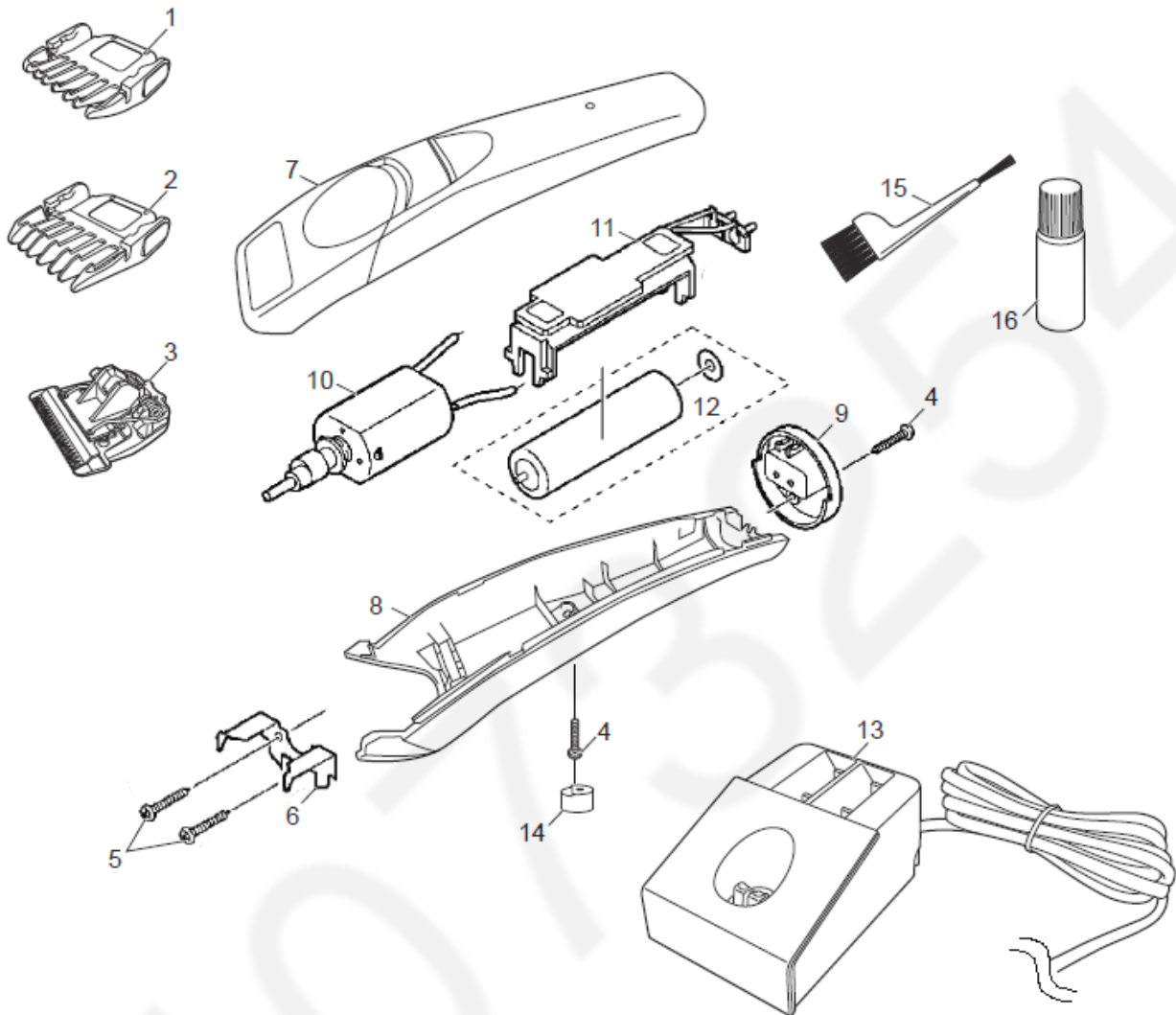
	Page
1. EXPLODED VIEW & REPLACEMENT PARTS LIST	...2-3

# Panasonic

© Panasonic Electric Works Co., Ltd. 2016.  
All rights reserved. Unauthorized copying  
and distribution is a violation of law.

# 1 EXPLODED VIEW & REPLACEMENT PARTS LIST

## 1.1 EXPLODED VIEW ER-GP21



## 1.2 REPLACEMENT PARTS LIST

	Ref. No.	Part No.	Part Name & Description	Quantity	Remarks
	1	WERPA10K7398	COMB ATTACHMENT A	1	
	2	WERPA10K7408	COMB ATTACHMENT B	1	
	3	WER9352P	BLADE BLOCK	1	
	4	WER203K6008	SCREW	2	K2-8
	5	WER160L9106	SCREW	2	K2-6
	6	WERGP21S1068	SPRING FOR CUTTER	1	
	7	WERGP21K3069	HOUSING A	1	
	8	WERGP21K3070	HOUSING B	1	
	9	WERGP21K3178	BOTTOM COVER	1	
	10	WERGP21L1008	MOTOR	1	
	11	WERGP21L0078	MODULE	1	
	12	WERGP21L2508	NI-MH STORAGE BATTERY	1	
	13	WERGP21K7668	CHARGING ADAPTOR	1	
	14	WERGP21K7658	RUBBER	1	
	15	WER1510K7087	CLEANING BRUSH	1	
	16	WER203X7910	OIL	1	
	17	WERGP21K8001	INDIVIDUAL BOX	1	
		WERGP21K8028	PAD	1	
		WERGP21K8100	OPERATING INSTRUCTIONS	1	