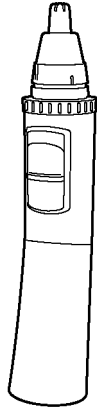


Service Manual

Nose & Facial Hair Trimmer

Model No. ER-GN30

Asia



⚠ WARNING

This service information is designed for experienced repair technicians only and is not designed for use by the general public. It does not contain warnings or cautions to advise non-technical individuals of potential dangers in attempting to service a product. Products powered by electricity should be serviced or repaired only by experienced professional technicians. Any attempt to service or repair the product or products dealt with in this service information by anyone else could result in serious injury or death.

IMPORTANT SAFETY NOTICE

There are special components used in this equipment which are important for safety. These parts are marked by ⚠ in the Schematic Diagrams, Circuit Board Diagrams, Exploded Views and Replacement Parts List. It is essential that these critical parts should be replaced with manufacturer's specified parts to prevent shock, fire or other hazards. Do not modify the original design without permission of manufacturer.

TABLE OF CONTENTS

	PAGE	PAGE
1 Warning-----	2	
2 Specifications -----	2	
3 Disassembly and Assembly Instructions -----	3	
4 Schematic Diagram-----	3	
5 Exploded View and Replacement Parts List -----	4	

1 Warning

Caution:

- Pb free solder has a higher melting point than standard solder; Typically the melting point is 50 - 70°F (30 - 40°C) higher. Please use a soldering iron with temperature control and adjust it to 750 ± 20°F (400 ± 10°C). In case of using high temperature soldering iron, please be careful not to heat too long.
- Pb free solder will tend to splash when heated too high (about 1100°F / 600°C).

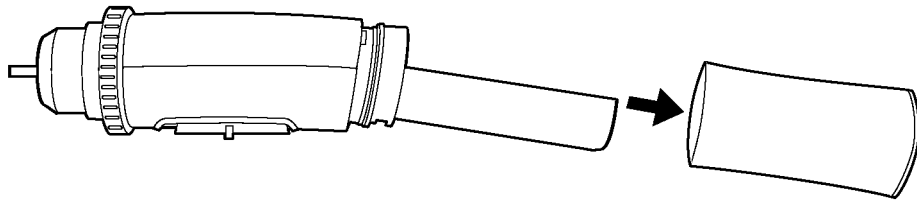
2 Specifications

Power source	DC 1.5V (one "AA" Alkaline battery)
Weight	60g

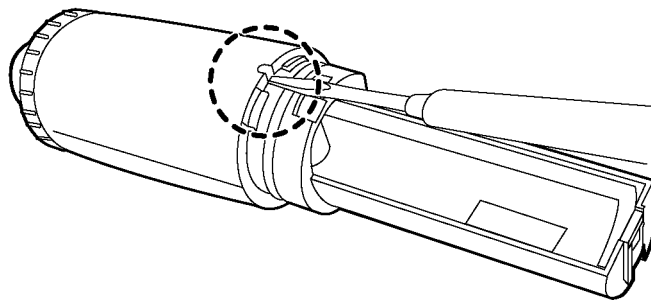
3 Disassembly and Assembly Instructions

3.1. Disassembly Instructions

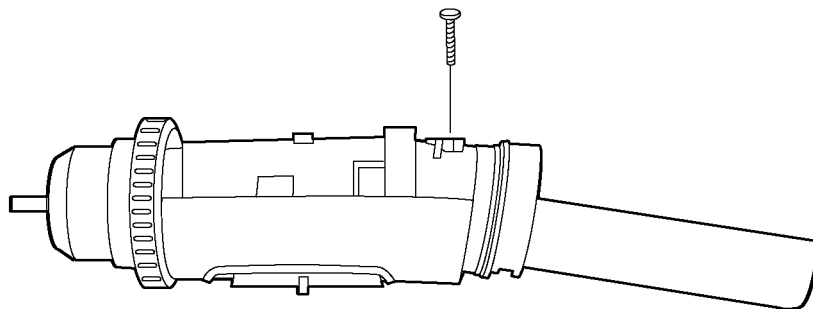
1. Remove the battery cover.



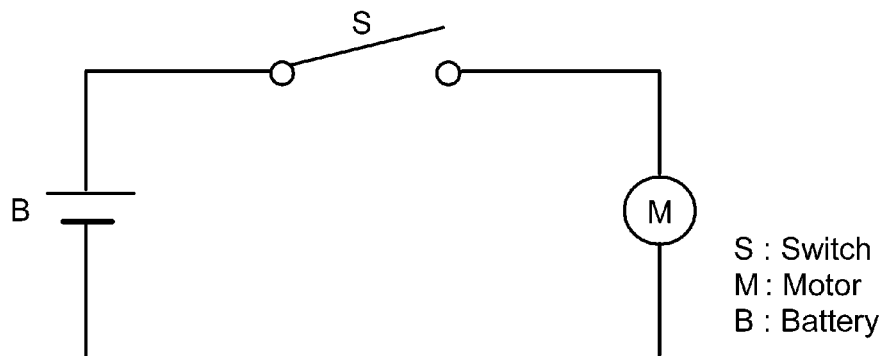
2. Unhook the housing B by inserting something like a slotted screwdriver into the bottom cavity as shown in the figure below.



3. Loosen a screw.

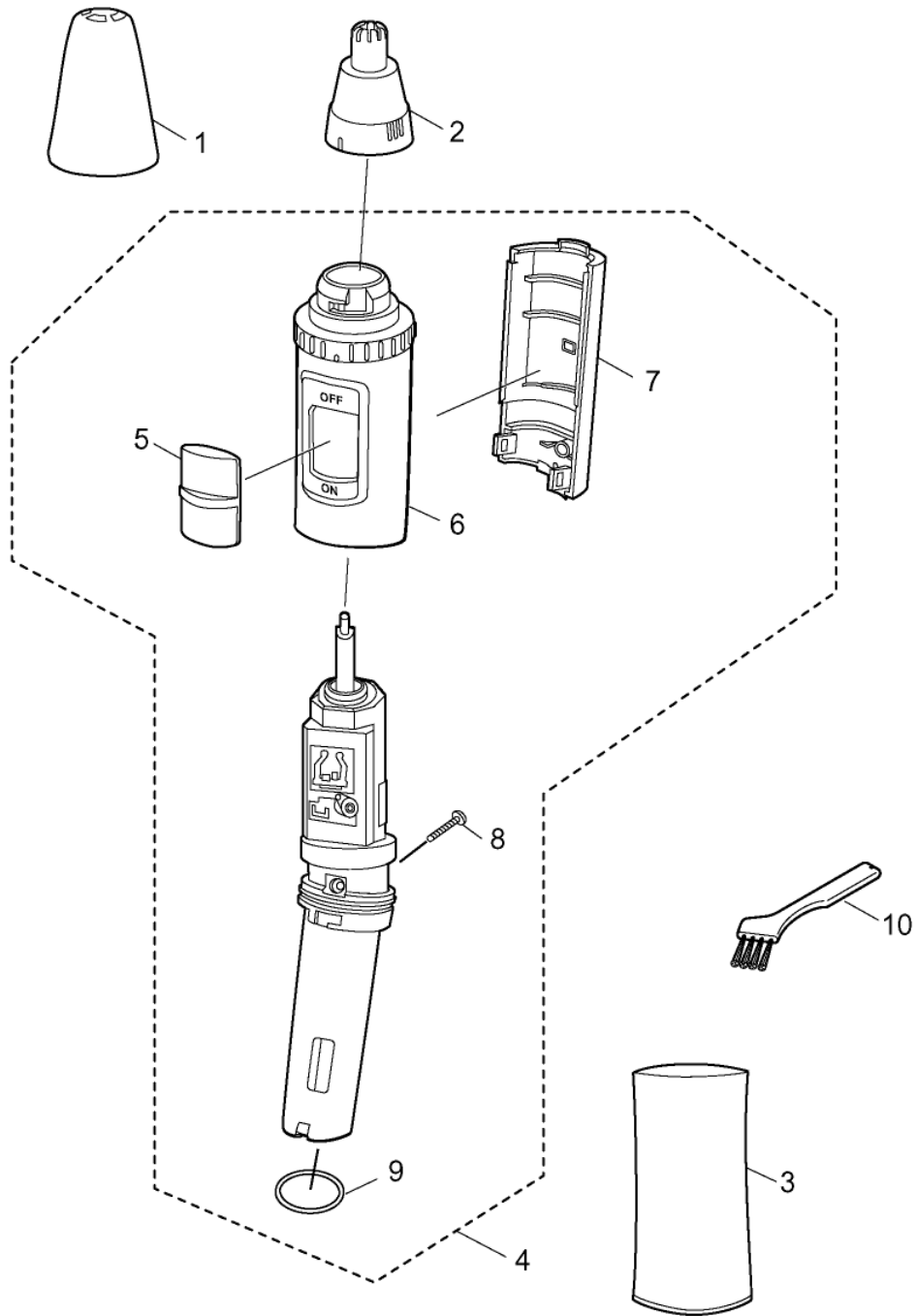


4 Schematic Diagram



5 Exploded View and Replacement Parts List

Model No. : ER-GN30 Exploded View



Model No. : ER-GN30 Parts List

Safety	Ref. No.	Part No.	Part Name & Description	Q'ty	Remarks
	1	WERGN30X3188	PROTECTIVE CAP	1	[BG]
	2	WERGN30K1058	BLADE BLOCK	1	[BG]
	3	WERGN30K3121	BATTERY COVER	1	[BG]
	3	WERGN30K3122	BATTERY COVER	1	(Only for Taiwan), [BG]
	4	WERGN30B4008	BODY BLOCK	1	[BG]
	5	WERGN30K3268	SWITCH HANDLE	1	[BG]
	6	WERGN30S3058	HOUSING A	1	[BG]
	7	WERGN30S3068	HOUSING B	1	[BG]
	8	WERGN30S9278	TAPPING SCREW	1	(2-17), [BG]
	9	WERGN30K0328	O-RING	2	[BG]
	10	WES76806766	CLEANING BRUSH	1	[BG]
	-	WERGN30K8001	INDIVIDUAL BOX	1	[BG]
	-	WERGN30K8002	INDIVIDUAL BOX	1	(Only for Taiwan), [BG]
	-	WERGN30K8101	OPERATING INSTRUCTIONS	1	[BG]
	-	WERGN30K8102	OPERATING INSTRUCTIONS	1	(Only for Taiwan), [BG]