

Service Manual

AC/Rechargeable Shaving Trimmer

Model ER-GD60

ER-GD50

ER-GD40

Europe

Middle East

Simplified



Please file and use this manual together with the service manual for Model No. ER-RZ10 Order No. No. SD1703E60CE.

⚠ WARNING

This service information is designed for experienced repair technicians only and is not designed for use by the general public. It does not contain warnings or cautions to advise non-technical individuals of potential dangers in attempting to service a product. Products powered by electricity should be serviced or repaired only by experienced professional technicians. Any attempt to service or repair the product or products dealt with in this service information by anyone else could result in serious injury or death.

IMPORTANT SAFETY NOTICE

There are special components used in this equipment which are important for safety. These parts are marked by \triangle in the Schematic Diagrams, Circuit Board Diagrams, Exploded views and Replacement Parts List. It is essential that these critical parts should be replaced with manufacture's specified parts to prevent shock, fire or other hazards. Do not modify the original design without permission of manufacturer.

TABLE OF CONTENTS

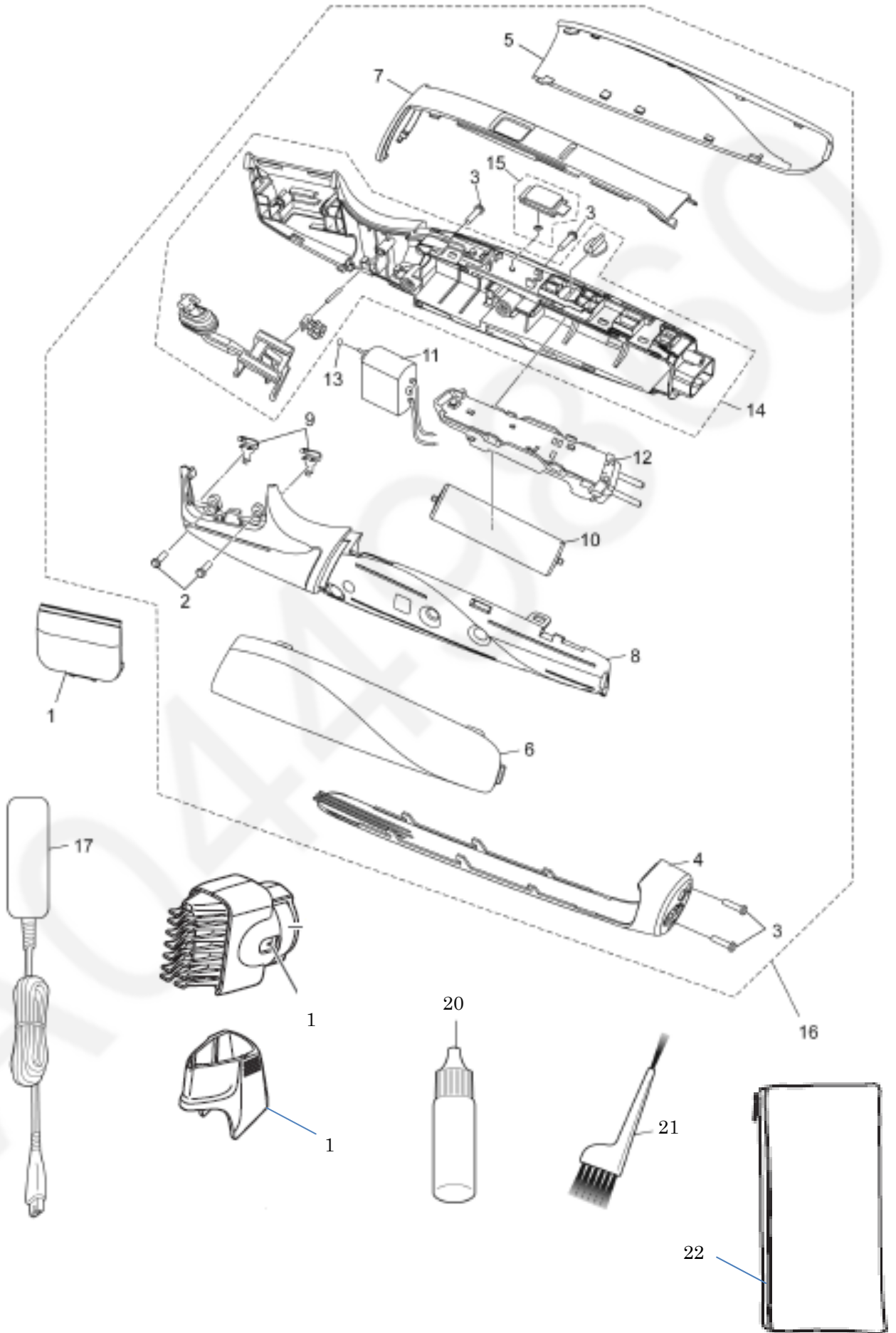
	Page
1. EXPLODED VIEW & REPLACEMENT PARTS LIST	...2-3

Panasonic


© Panasonic Corporation, 2017. All rights reserved.
Unauthorized copying and distribution is a violation
of law.

1 EXPLODED VIEW & REPLACEMENT PARTS LIST

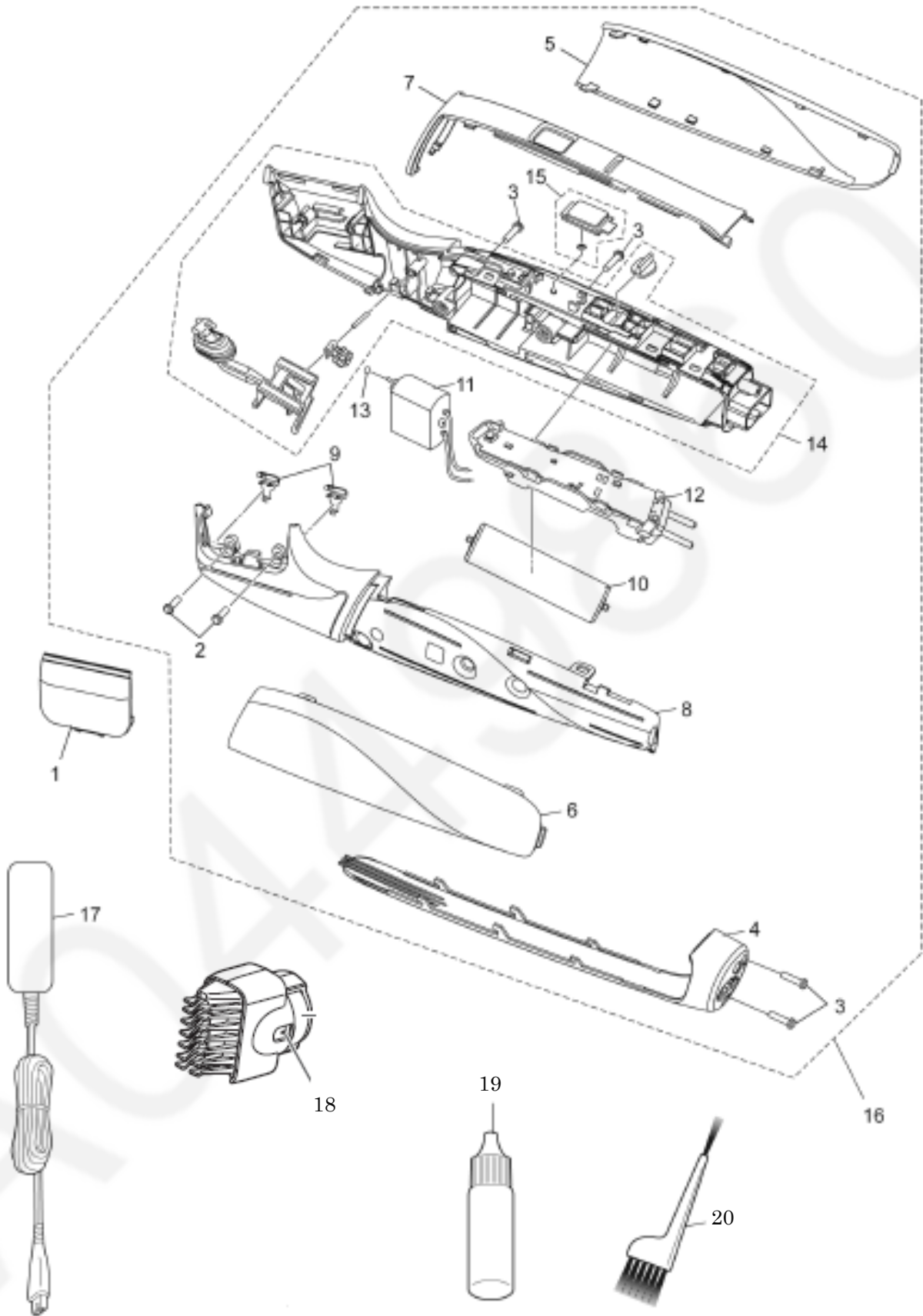
1.1 EXPLODED VIEW ER-GD60




1.2 REPLACEMENT PARTS LIST

	Ref. No.	Part No.	Part Name & Description	Quantity	Remarks
	1	WER9500Y	BLADE BLOCK	1	
	2	WERRZ10L9108	SCREW	2	K2-6
	3	WER504L6007	SCREW	4	K2-8
	4	WERGD60S3018	REAR PANEL	1	EUROPE
	4	WERGD60K3018	REAR PANEL	1	MIDDLE EAST
	5	WERGD60S3008	SIDE PANEL R	1	EUROPE
	5	WERGD60T3008	SIDE PANEL R	1	MIDDLE EAST
	6	WERGD60S3098	SIDE PANEL L	1	EUROPE
	6	WERGD60T3098	SIDE PANEL L	1	MIDDLE EAST
	7	WERGD60S3088	FRONT PANEL	1	EUROPE
	7	WERGD60K3088	FRONT PANEL	1	MIDDLE EAST
	8	WERRZ10K3078	HOUSING B	1	
	9	WERRZ10S1068	SPRING FOR CUTTER	2	
	10	WERGP21L2508	NI-MH STORAGE BATTERY	1	
	11	WERRZ10L1008	MOTOR	1	
	12	WERRZ10L0078	MODULE	1	
	13	WERRZ10L1578	CAM ROLLER	1	
	14	WERRZ10K3068	HOUSING ASSEMBLY	1	
	15	WERGD60S3308	SWITCH BUTTON SET	1	EUROPE
	15	WERGD60K3308	SWITCH BUTTON SET	1	MIDDLE EAST
	16	WERGD60S3038	BODY BLOCK	1	EUROPE
	16	WERGD60T3038	BODY BLOCK	1	MIDDLE EAST
	17	WERGD60K7664	ADAPTOR	1	C-2 PLUG/EUROPE
	17	WERGD60K7660	ADAPTOR	1	BF-3 PLUG/EUROPE
	17	WERGD60K7670	ADAPTOR	1	BF-3 PLUG/MIDDLE EAST
	17	WERGD60K7673	ADAPTOR	1	C-2 PLUG/MIDDLE EAST
	18	WERGD60K7398	TRIMMING COMB ATTACHMENT	1	
	19	WERGD60K7348	DETAIL TRIMMING ATTACHMENT	1	
	20	WERGC20X7918	OIL	1	
	21	WES6500K7257	CLEANING BRUSH	1	
	22	WERGD60K7008	PORCH	1	
		WERGD60S8008	INDIVIDUAL PACKAGE	1	EUROPE
		WERGD60S8009	INDIVIDUAL PACKAGE	1	UNITED KINGDOM
		WERGD60T8008	INDIVIDUAL PACKAGE	1	MIDDLE EAST
		WERGD60T8009	INDIVIDUAL PACKAGE	1	OMAN
		WERGD60S8028	PAD COVER	1	EUROPE
		WERGD60S8038	PAD	1	
		WERGD60S8108	OPERATING INSTRUCTIONS	1	EUROPE
		WERGD60T8108	OPERATING INSTRUCTIONS	1	MIDDLE EAST

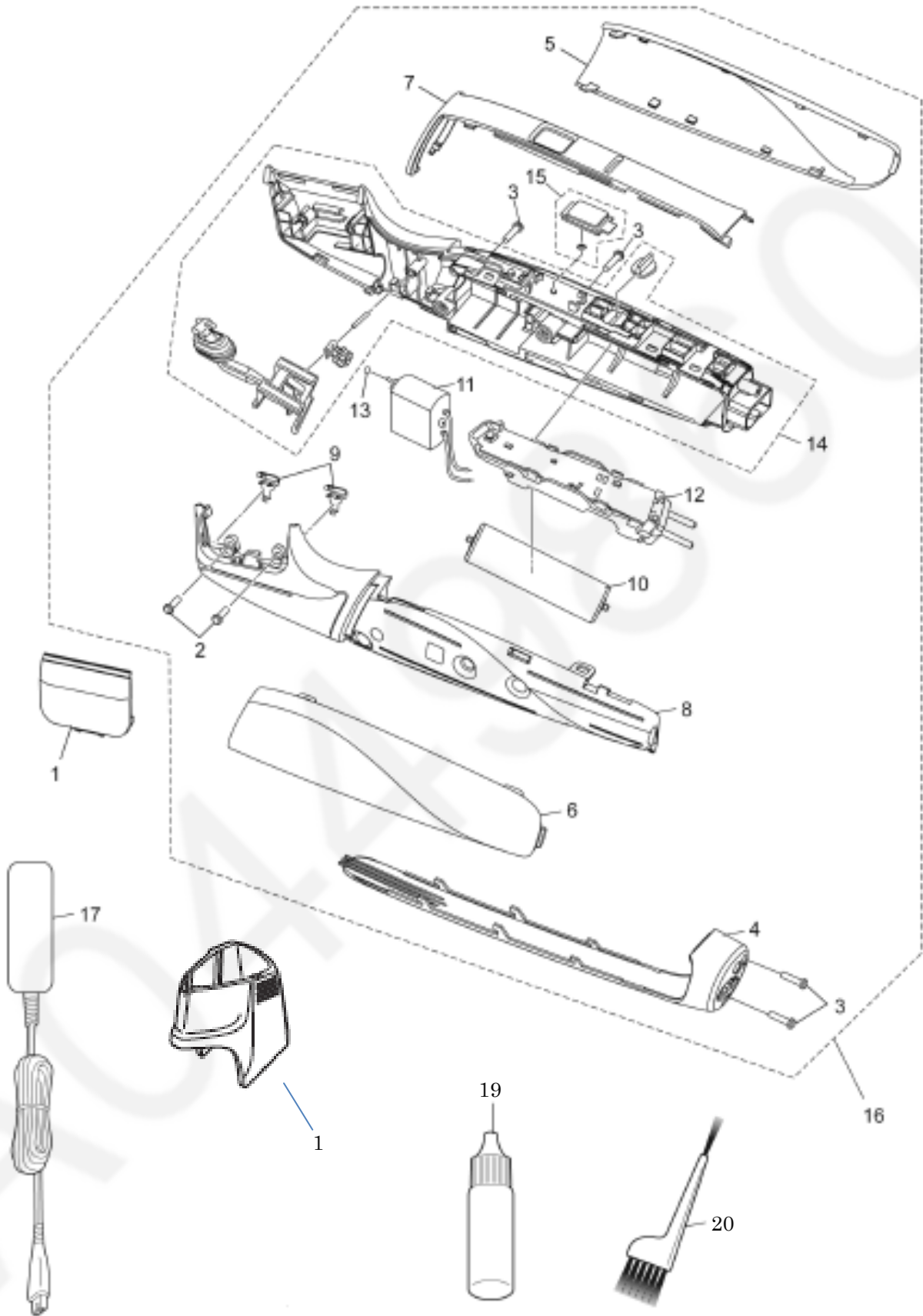
1.3 EXPLODED VIEW ER-GD50




1.4 REPLACEMENT PARTS LIST

	Ref. No.	Part No.	Part Name & Description	Quantity	Remarks
	1	WER9500Y	BLADE BLOCK	1	
	2	WERRZ10L9108	SCREW	2	K2-6
	3	WER504L6007	SCREW	4	K2-8
	4	WERGD50S3018	REAR PANEL	1	
	5	WERGD50K3008	SIDE PANEL R	1	
	6	WERGD50K3098	SIDE PANEL L	1	
	7	WERGD60S3088	FRONT PANEL	1	
	8	WERRZ10K3078	HOUSING B	1	
	9	WERRZ10S1068	SPRING FOR CUTTER	2	
	10	WERGP21L2508	NI-MH STORAGE BATTERY	1	
	11	WERRZ10L1008	MOTOR	1	
	12	WERRZ10L0078	MODULE	1	
	13	WERRZ10L1578	CAM ROLLER	1	
	14	WERRZ10K3068	HOUSING ASSEMBLY	1	
	15	WERGD60S3308	SWITCH BUTTON SET	1	
	16	WERGD50K3038	BODY BLOCK	1	
	17	WERGD60K7664	ADAPTOR	1	
	18	WERGD60K7398	TRIMMING COMB ATTACHMENT	1	
	19	WERC20X7918	OIL	1	
	20	WES6500K7257	CLEANING BRUSH	1	
		WERGD50K8008	INDIVIDUAL PACKAGE	1	
		WERGD60S8028	PAD COVER	1	
		WERGD60S8038	PAD	1	
		WERGD60S8108	OPERATING INSTRUCTIONS	1	

1.5 EXPLODED VIEW ER-GD40



1.6 REPLACEMENT PARTS LIST

	Ref. No.	Part No.	Part Name & Description	Quantity	Remarks
	1	WER9500Y	BLADE BLOCK	1	
	2	WERRZ10L9108	SCREW	2	K2-6
	3	WER504L6007	SCREW	4	K2-8
	4	WERGD40S3018	REAR PANEL	1	
	5	WERRZ10K3008	SIDE PANEL R	1	
	6	WERRZ10K3098	SIDE PANEL L	1	
	7	WERGD60S3088	FRONT PANEL	1	
	8	WERRZ10K3078	HOUSING B	1	
	9	WERRZ10S1068	SPRING FOR CUTTER	2	
	10	WERGP21L2508	NI-MH STORAGE BATTERY	1	
	11	WERRZ10L1008	MOTOR	1	
	12	WERRZ10L0078	MODULE	1	
	13	WERRZ10L1578	CAM ROLLER	1	
	14	WERRZ10K3068	HOUSING ASSEMBLY	1	
	15	WERGD60S3308	SWITCH BUTTON SET	1	
	16	WERGD40K3038	BODY BLOCK	1	
	17	WERGD60K7670	ADAPTOR	1	BF-3 PLUG
	17	WERGD60K7673	ADAPTOR	1	C-2 PLUG
	18	WERGD60K7348	DETAIL TRIMMING ATTACHMENT	1	
	19	WERGC20X7918	OIL	1	
	20	WES6500K7257	CLEANING BRUSH	1	
		WERGD40K8008	INDIVIDUAL PACKAGE	1	
		WERGD40K8009	INDIVIDUAL PACKAGE	1	OMAN
		WERGD40K8028	PAD	1	
		WERGD60T8108	OPERATING INSTRUCTIONS	1	