

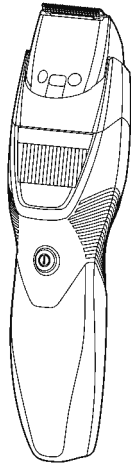
# Service Manual

## Rechargeable Beard/Hair Trimmer

Model No. **ER-GB52**

Model No. **ER-GB42**

Europe  
 Russia  
 America  
 Canada  
 Middle East  
 Asia  
 Oceania  
 Latin America



### **⚠ WARNING**

This service information is designed for experienced repair technicians only and is not designed for use by the general public. It does not contain warnings or cautions to advise non-technical individuals of potential dangers in attempting to service a product. Products powered by electricity should be serviced or repaired only by experienced professional technicians. Any attempt to service or repair the product or products dealt with in this service information by anyone else could result in serious injury or death.

### **IMPORTANT SAFETY NOTICE**

There are special components used in this equipment which are important for safety. These parts are marked by **⚠** in the Schematic Diagrams, Circuit Board Diagrams, Exploded Views and Replacement Parts List. It is essential that these critical parts should be replaced with manufacturer's specified parts to prevent shock, fire or other hazards. Do not modify the original design without permission of manufacturer.

•The specifications and the parts of this product are subject to change without notice for performance improvement or other purposes.

## TABLE OF CONTENTS

	PAGE	PAGE
1 Warning-----	2	
2 Specifications -----	2	
3 Troubleshooting Guide-----	3	
4 Disassembly and Assembly Instructions -----	5	
5 Exploded View and Replacement Parts List -----	6	

# 1 Warning

## Caution:

- Pb free solder has a higher melting point than standard solder; Typically the melting point is 50 - 70°F (30 - 40°C) higher. Please use a soldering iron with temperature control and adjust it to 750 ± 20°F (400 ± 10°C). In case of using high temperature soldering iron, please be careful not to heat too long.
- Pb free solder will tend to splash when heated too high (about 1100°F / 600°C).

# 2 Specifications

Power source	Charging time
110-120 V 60 Hz	Approx. 20 h
120 V 60 Hz	Approx. 15 h
220 V 50 Hz	Approx. 10 h
220 V 60 Hz	Approx. 10-12 h
230 V 50 Hz	Approx. 8-10 h
240 V 50 Hz	Approx. 8h
Motor voltage	1.2 V

# 3 Troubleshooting Guide

<TROUBLE>

<CHECK>

<REMEDY>

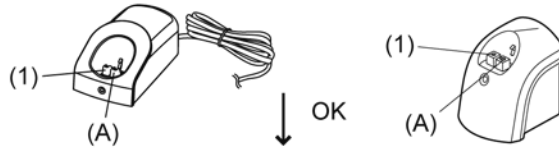
Motor does not rotate.  
Does not charge.

<CHECK CHARGING ADAPTOR.>

Connect to rated voltage. OK if it is approximately DC 0.6V between (1) and (A). Check if there is any deformation inside of terminals on the adaptor or the condition putting an unit into the adaptor firmly.

NO

Replace charging adaptor.

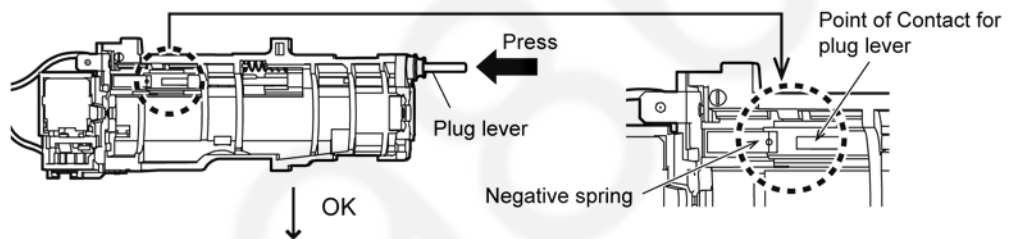


<CHECK CONTACT CONDITIONS OF SWITCH.>

Check for proper contact between negative spring and plug lever when plug lever is depressed.

NO

Repair negative spring or replace the motor chassis.

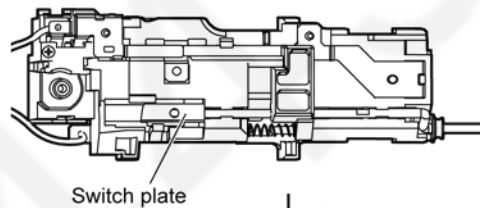


<CHECK SWITCH.>

Check contact of switch.

NO

Repair switch plate or replace the motor chassis.



<CHECK MOTOR.>

Okay if motor rotates when DC 1.2V is applied to (+) and (-) terminals.

NO

Replace motor assembly.

OK

<CHECK RECHARGEABLE BATTERY.>

Okay if the voltage of rechargeable battery is more than approximately DC 1.2V between (+) and (-) terminals.

NO

Replace rechargeable battery.

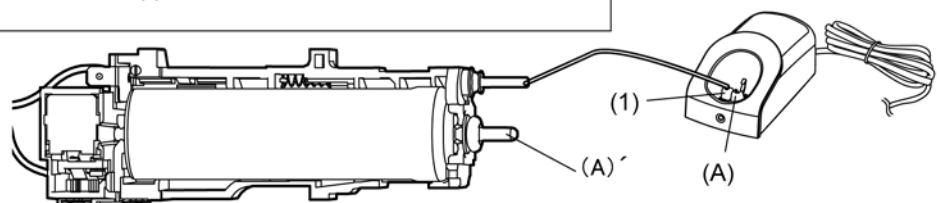
OK

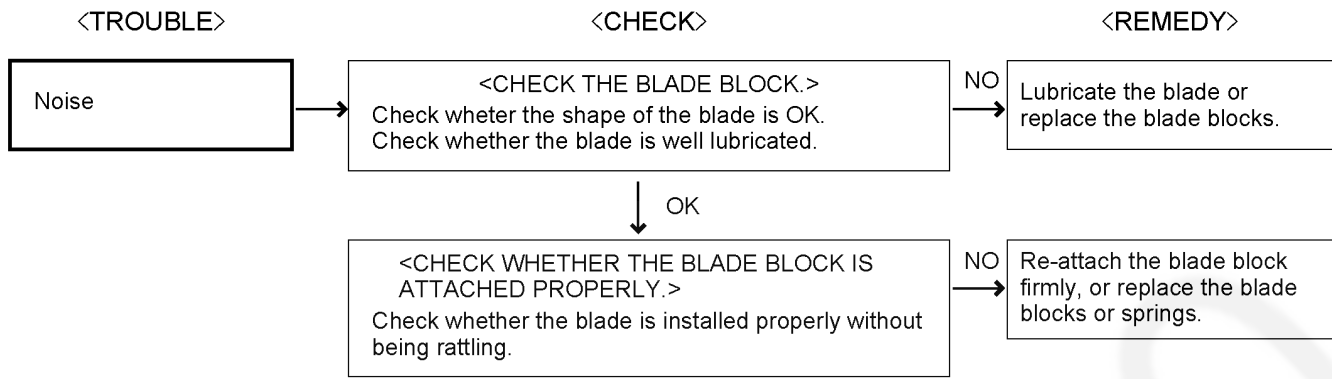
<CHECK CHARGING CURRENT.>

Connect the lead wire (2) to the charging adaptor (1) to measure the charging current across (A) - (A'). OK if it is Approx. 105 mA.

NO

Replace the motor chassis.

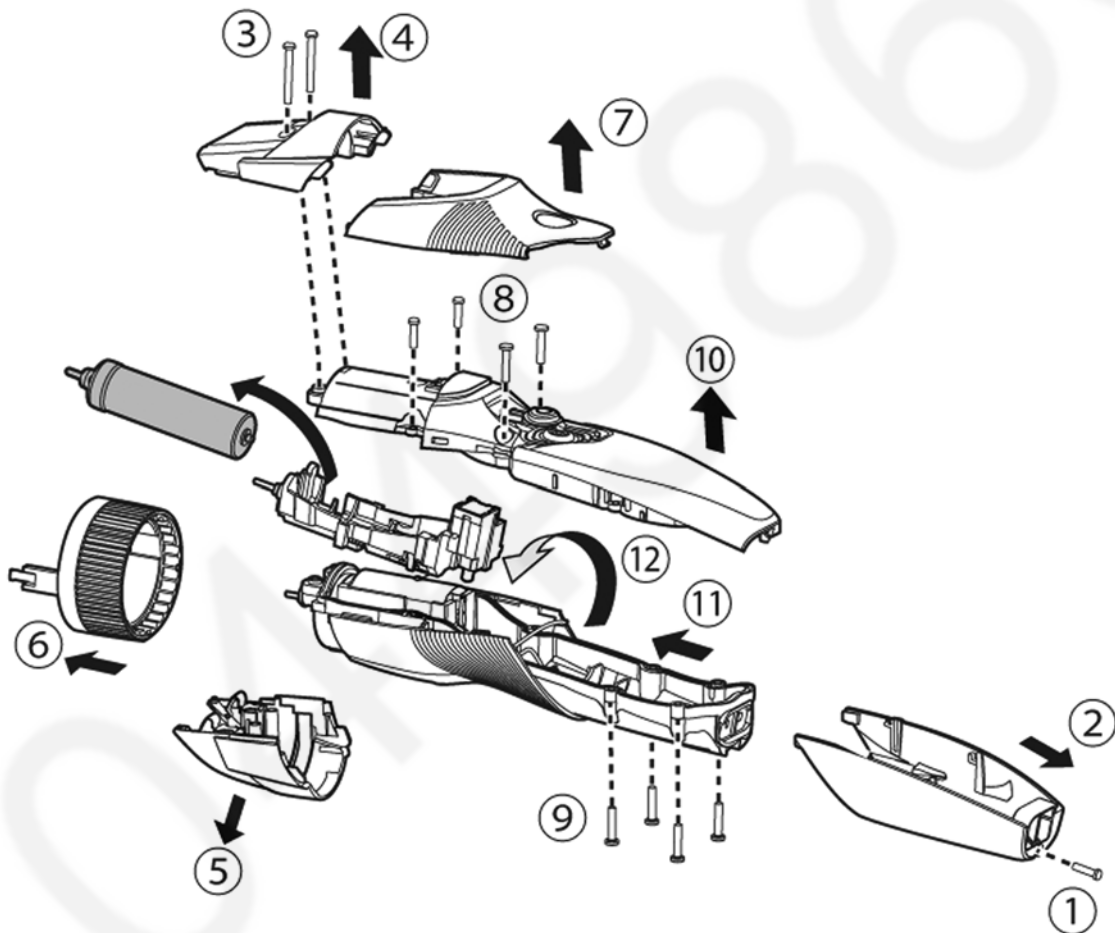




## 4 Disassembly and Assembly Instructions

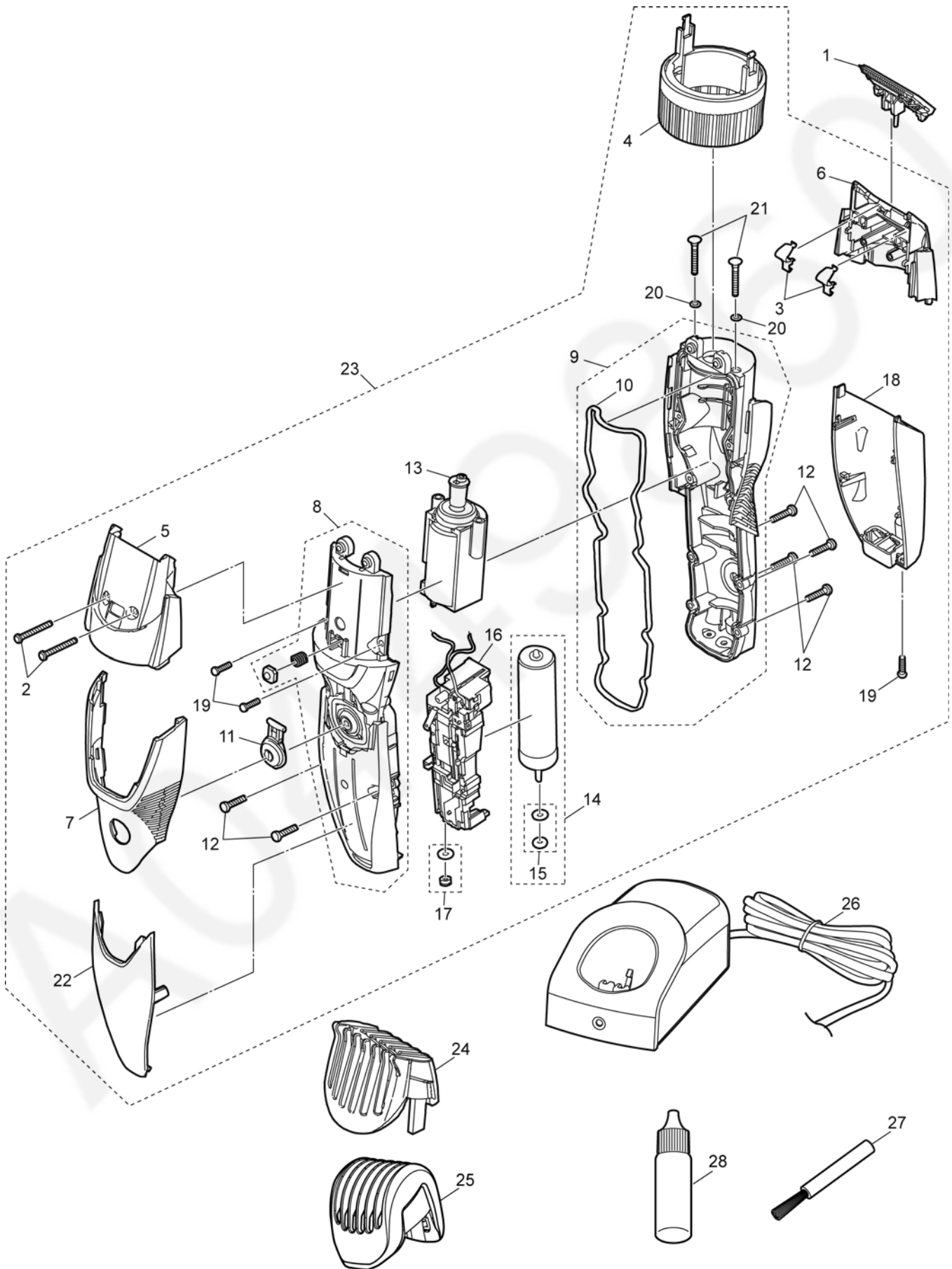
### 4.1. Disassembly Instructions

1. Remove one screw.
2. Remove the bottom cover.
3. Remove two screws.
4. Remove the front panel A.
5. Remove the rear panel.
6. Remove the dial.
7. Remove the front panel B.
8. Remove four screws.
9. Remove four screws.
10. Remove the front cover.
11. Slide the chassis upward.
12. Remove the chassis and rechargeable battery.



# 5 Exploded View and Replacement Parts List

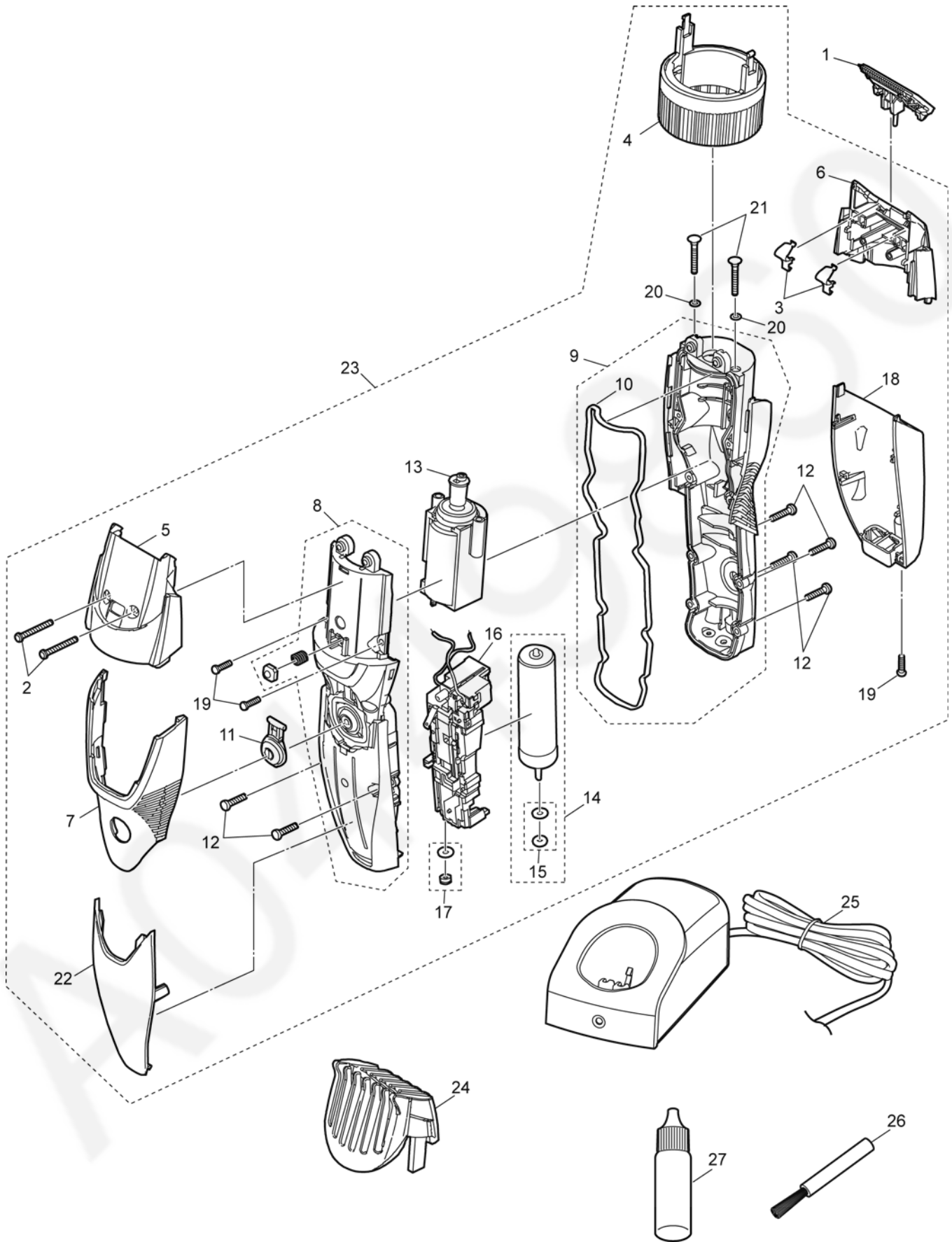
## 5.1. Exploded View (ER-GB52)



## 5.2. Replacement Parts List

Safety	Ref. No.	Part No.	Part Name & Description	Quantity	Remarks
	1	WER9606Y	BLADE BLOCK	1	
	2	WERGN30S9278	SCREW	2	
	3	WER504L0166	SPRING FOR CUTTER	2	
	4	WERGB52S3288	ADJUSTING DIAL	1	
	5	WERGB52S1588	BLADE HOLDER B	1	
	6	WERGB52S1568	BLADE HOLDER A	1	
	7	WERGB42K3968	FRONT PANEL	1	
	8	WERGB52S3058	HOUSING A	1	
	9	WERGB42K3068	HOUSING B	1	
	10	WERGB42L0588	O-RING	1	
	11	WERGB42K3208	SWITCH BUTTON	1	
	12	WESRT64L6058	SCREW	6	
	13	WERGB40L1008	MOTOR ASSEMBLY	1	
	14	WERGB42L2508	RECHARGEABLE BATTERY	1	NI-MH
	15	WESRW30L0977	WASHER & O-RING SET	1	
	16	WERGB42L2108	MODULE CHASSIS ASSEMBLY	1	
	17	WESRW30L0968	WASHER & O-RING SET	1	
	18	WERGB52S3178	BOTTOM COVER	1	
	18	WERGB52S3179	BOTTOM COVER	1	UNITED KINGDOM
	19	WES8176L6057	SCREW	3	
	20	WER217L0967	O-RING B	2	
	21	WES7025L9707	SCREW	2	
	22	WERGB52S3968	FRONT PANEL	1	
	23	WERGB52S3038	BODY BLOCK	1	
	23	WERGB52S3039	BODY BLOCK	1	UNITED KINGDOM
	24	WERGB40S7398	COMB ATTACHMENT	1	FOR BEARD
	25	WERGB52S7398	COMB ATTACHMENT	1	FOR BODY
	26	WERGB42K7664	AC ADAPTOR	1	C-2 PLUG
	26	WERGB42K7660	AC ADAPTOR	1	BF3 PLUG
	27	WERGB30H7048	CLEANING BRUSH	1	
	28	WERC20X7918	OIL	1	
		WERGB52S8008	INDIVIDUAL BOX	1	
		WERGB52S8009	INDIVIDUAL BOX	1	UNITED KINGDOM
		WERGB42K8108	OPERATING INSTRUCTIONS	1	

### 5.3. Exploded View (ER-GB42)





## 5.4. Replacement Parts List

Safety	Ref. No.	Part No.	Part Name & Description	Quantity	Remarks
	1	WER9606P	BLADE BLOCK	1	
	1	WER9606Y	BLADE BLOCK	1	
	1	WER9606E	BLADE BLOCK	1	
	2	WERGN30S9278	SCREW	2	
	3	WER504L0166	SPRING FOR CUTTER	2	
	4	WERGB42K3288	ADJUSTING DIAL	1	
	5	WERGB42K1588	BLADE HOLDER B	1	
	6	WERGB42K1568	BLADE HOLDER A	1	
	7	WERGB42K3968	FRONT PANEL	1	
	8	WERGB42K3058	HOUSING A	1	
	9	WERGB42K3068	HOUSING B	1	
	10	WERGB42L0588	O-RING	1	
	11	WERGB42K3208	SWITCH BUTTON	1	
	12	WESRT64L6058	SCREW	6	
	13	WERGB40L1008	MOTOR ASSEMBLY	1	
	14	WERGB42L2508	RECHARGEABLE BATTERY	1	
	14	WERGB42L2509	RECHARGEABLE BATTERY	1	ASIA
	15	WESRW30L0977	WASHER & O-RING SET	1	
	16	WERGB42L2108	MODULE CHASSIS ASSEMBLY	1	
	17	WESRW30L0968	WASHER & O-RING SET	1	
	18	WERGB42K3178	BOTTOM COVER	1	EUROPE
	18	WERGB42K3179	BOTTOM COVER	1	UNITED KINGDOM
	18	WERGB42K3171	BOTTOM COVER	1	RUSSIA
	18	WERGB42K3172	BOTTOM COVER	1	ASIA/MIDDLE EAST
	18	WERGB42K3173	BOTTOM COVER	1	AMERICA/CANADA/LATIN AMERICA
	18	WERGB42K3170	BOTTOM COVER	1	OCEANIA
	19	WES8176L6057	SCREW	3	
	20	WER217L0967	O-RING B	2	
	21	WES7025L9707	SCREW	2	
	22	WERGB42K3968	FRONT PANEL	1	
	23	WERGB42K3038	BODY BLOCK	1	EUROPE
	23	WERGB42K3039	BODY BLOCK	1	UNITED KINGDOM
	23	WERGB42K3031	BODY BLOCK	1	RUSSIA
	23	WERGB42K3032	BODY BLOCK	1	ASIA/MIDDLE EAST
	23	WERGB42K3033	BODY BLOCK	1	AMERICA/CANADA/LATIN AMERICA
	23	WERGB42K3030	BODY BLOCK	1	OCEANIA
	24	WERGB40S7398	COMB ATTACHMENT	1	
	25	WERGB42K7664	AC ADAPTOR	1	C-2 PLUG/EUROPE
	25	WERGB42K7660	AC ADAPTOR	1	BF3 PLUG/UNITED KINGDOM
	25	WERGB42K7661	AC ADAPTOR	1	C-2 PLUG/RUSSIA
	25	WERGB42K7676	AC ADAPTOR	1	C-2 PLUG/ASIA
	25	WERGB42K7663	AC ADAPTOR	1	BF3 PLUG/MIDDLE EAST
	25	WERGB42K7658	AC ADAPTOR	1	A-2 PLUG
	25	WERGB42K7666	AC ADAPTOR	1	O-2 PLUG/OCEANIA
	26	WERGB30H7048	CLEANING BRUSH	1	
	27	WERC20X7918	OIL	1	
		WERGB42K8008	INDIVIDUAL BOX	1	EUROPE
		WERGB42K8009	INDIVIDUAL BOX	1	UNITED KINGDOM
		WERGB42K8000	INDIVIDUAL BOX	1	OCEANIA
		WERGB42K8001	INDIVIDUAL BOX	1	RUSSIA
		WERGB42K8002	INDIVIDUAL BOX	1	MIDDLE EAST
		WERGB42K8003	INDIVIDUAL BOX	1	ASIA
		WERGB42K8004	INDIVIDUAL BOX	1	AMERICA
		WERGB42K8005	INDIVIDUAL BOX	1	CANADA/LATIN AMERICA
		WERGB42K8108	OPERATING INSTRUCTIONS	1	EUROPE
		WERGB42K8109	OPERATING INSTRUCTIONS	1	ASIA/MIDDLE EAST
		WERGB42K8100	OPERATING INSTRUCTIONS	1	RUSSIA
		WERGB42K8101	OPERATING INSTRUCTIONS	1	AMERICA
		WERGB42K8102	OPERATING INSTRUCTIONS	1	CANADA/LATIN AMERICA
		WERGB42K8103	OPERATING INSTRUCTIONS	1	OCEANIA