

Service Manual

Rechargeable Beard Trimmer

Model No. **ER-GB37**



Asia
Middle East

⚠ WARNING

This service information is designed for experienced repair technicians only and is not designed for use by the general public. It does not contain warnings or cautions to advise non-technical individuals of potential dangers in attempting to service a product. Products powered by electricity should be serviced or repaired only by experienced professional technicians. Any attempt to service or repair the product or products dealt with in this service information by anyone else could result in serious injury or death.

IMPORTANT SAFETY NOTICE

There are special components used in this equipment which are important for safety. These parts are marked by **⚠** in the Schematic Diagrams, Circuit Board Diagrams, Exploded Views and Replacement Parts List. It is essential that these critical parts should be replaced with manufacturer's specified parts to prevent shock, fire or other hazards. Do not modify the original design without permission of manufacturer.

TABLE OF CONTENTS

	PAGE
1 Warning -----	2
2 Specifications -----	2
3 Troubleshooting Guide -----	3
4 Disassembly and Assembly Instructions -----	4
5 Wiring Connection Diagram -----	6
6 Schematic Diagram -----	6
7 Exploded View and Replacement Parts List -----	7

Panasonic

© Panasonic Corporation 2014 Unauthorized copying and distribution is a violation of law.

1 Warning

Caution:

- Pb free solder has a higher melting point than standard solder; Typically the melting point is 50 - 70°F (30 - 40°) higher. Please use a soldering iron with temperature control and adjust it to 750 ± 20°F (400 ± 10°). In case of using high temperature soldering iron, please be careful not to heat too long.
- Pb free solder will tend to splash when heated too high (about 1100°F / 600°C).

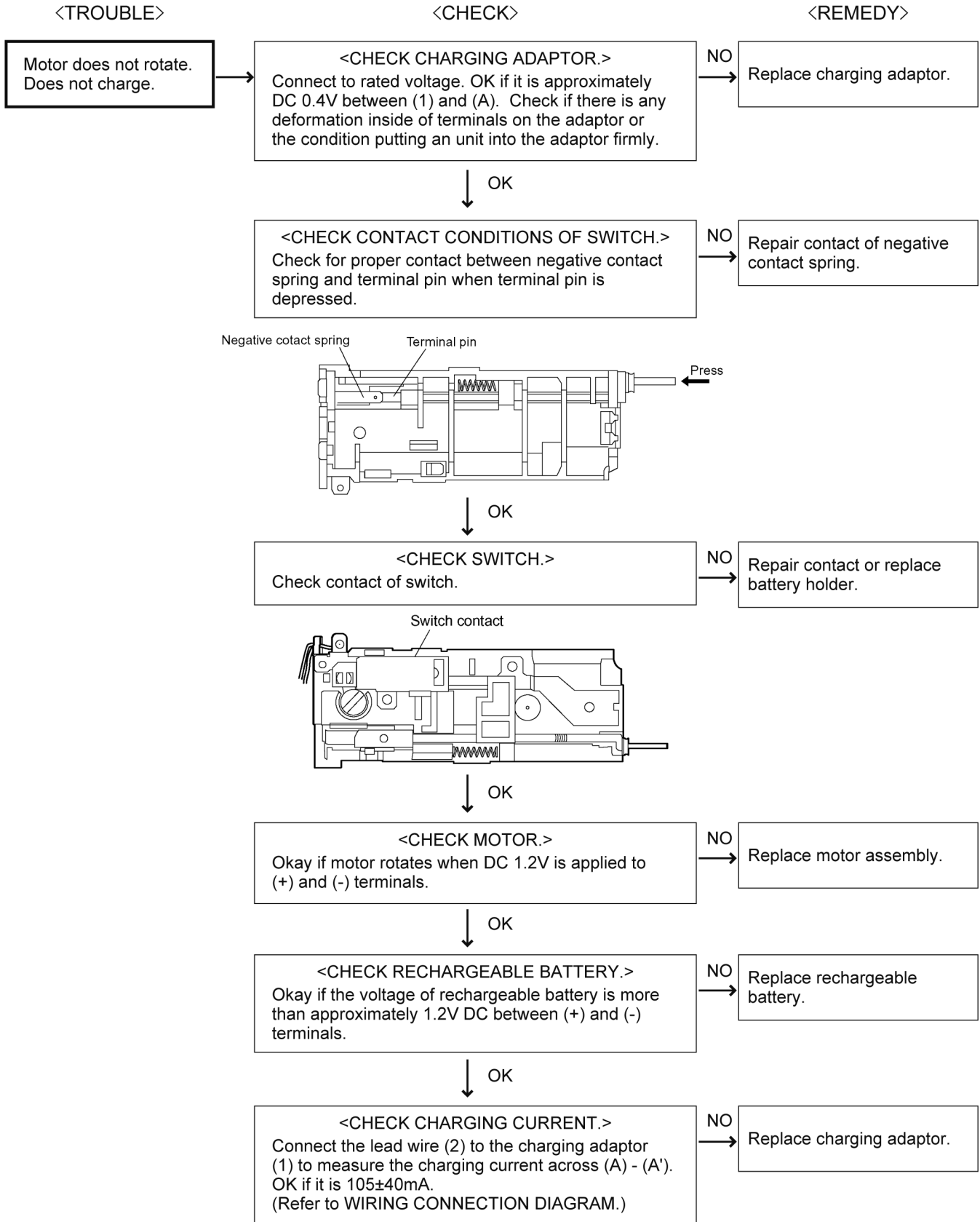
2 Specifications

Power source	Asia	AC 220-240V, 50Hz
	India	AC 230V, 50Hz
	Middle East	AC 220-240V, 50-60Hz
Motor voltage	1.2V	
Charging time	Approx. 8-10 hours	
Weight	150g (excluding comb attachment)	

Supplied accessories	Comb attachment	
	Cleaning brush	
	Oil	

3 Troubleshooting Guide

(Refer to WIRING CONNECTION DIAGRAM)

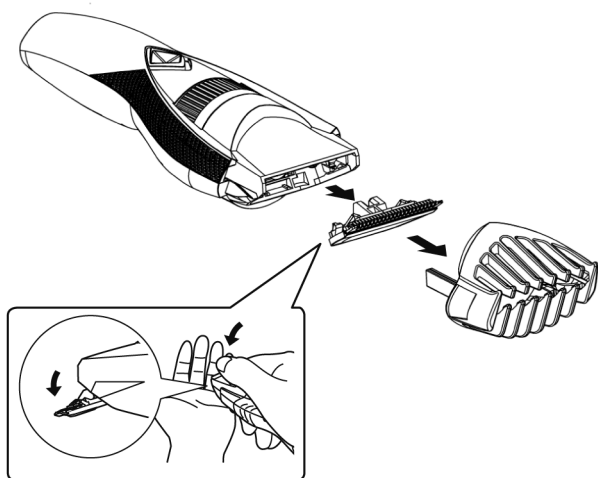


4 Disassembly and Assembly Instructions

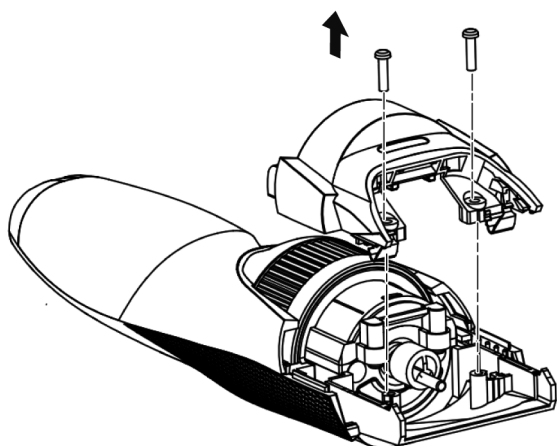
4.1. Disassembly Instructions

Follow the procedure below to disassemble the main unit.

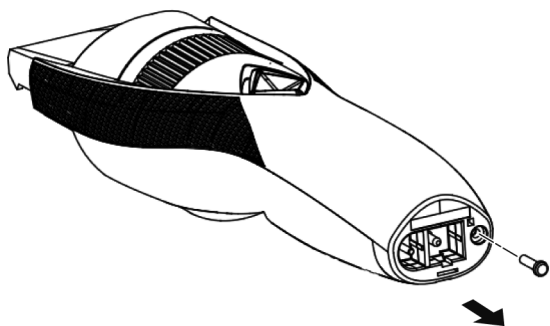
1. Remove the comb attachment and the blade.



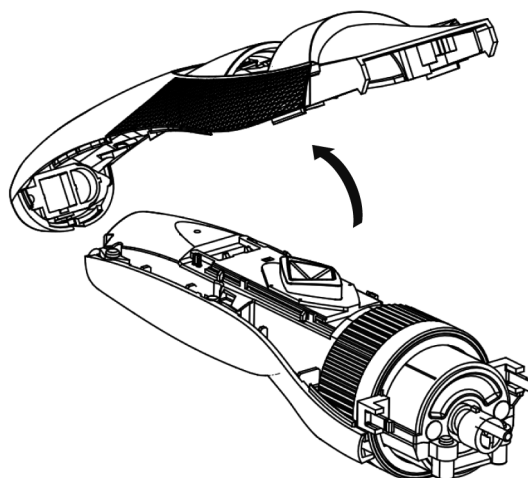
2. Loosen two screws and remove the blade holder.



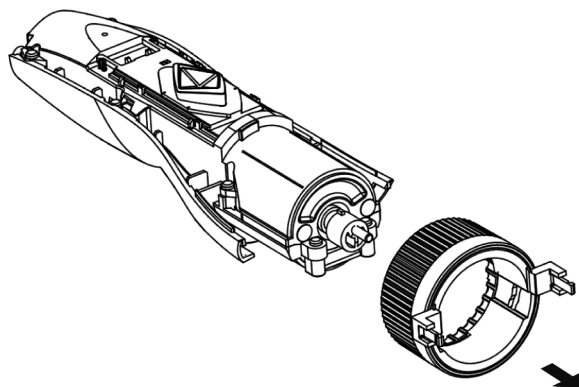
3. Loosen a screw from bottom cover.



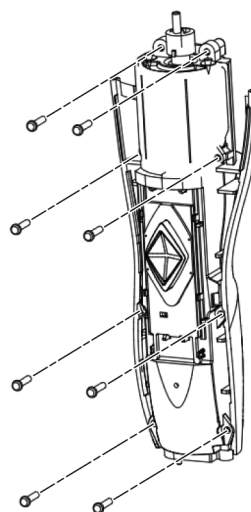
4. Take out the front panel from the housing.



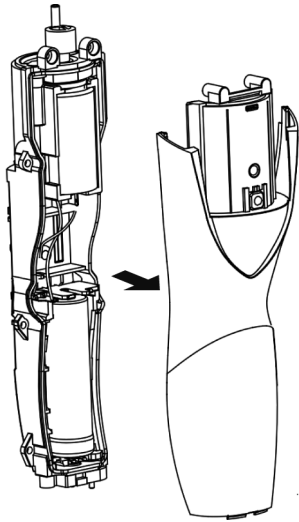
5. Take out the dial from the unit.



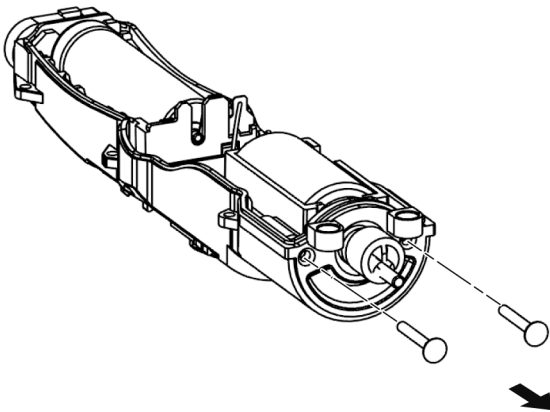
6. Loosen 8 screws.



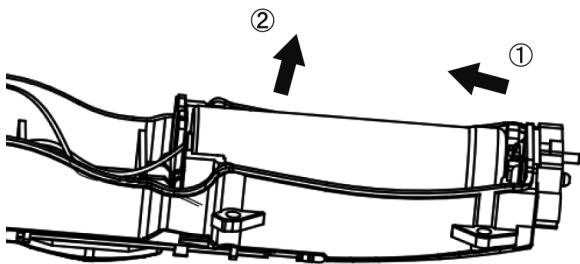
7. Separate the housing B from the housing A.



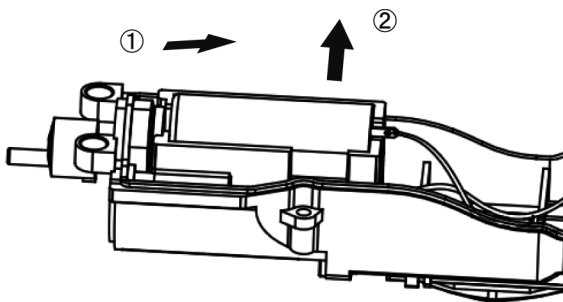
8. Loosen 2 screws.



9. Remove the battery from the chassis.



10. Remove the motor.



4.2. Cautions in Assembly

NOTE:

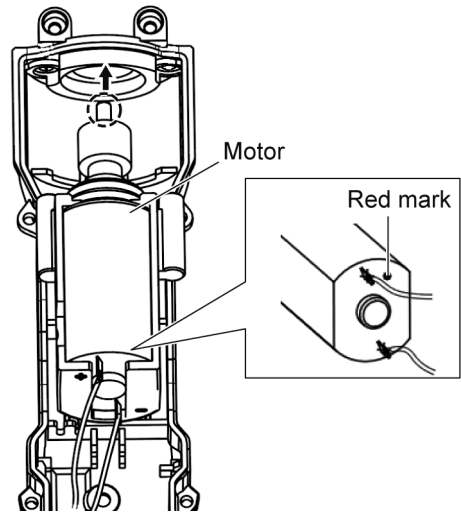
When reassembling, replace the new waterproof rubber. Make sure whether there is NO foreign substance sticking around a part covered with water seal.

NOTE:

Make sure to assemble the battery last in order to avoid short-circuit.

4.2.1. Motor

Place the red mark on upper side. Fit the shape of motor balancer and the hole of housing A and insert into housing A.

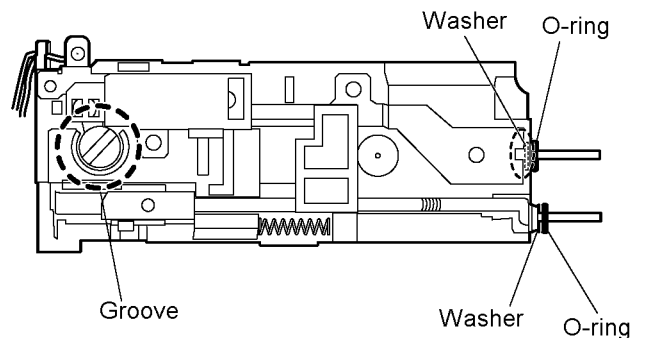
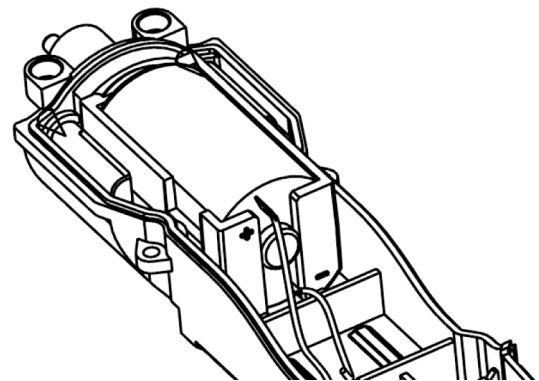


4.2.2. Battery case

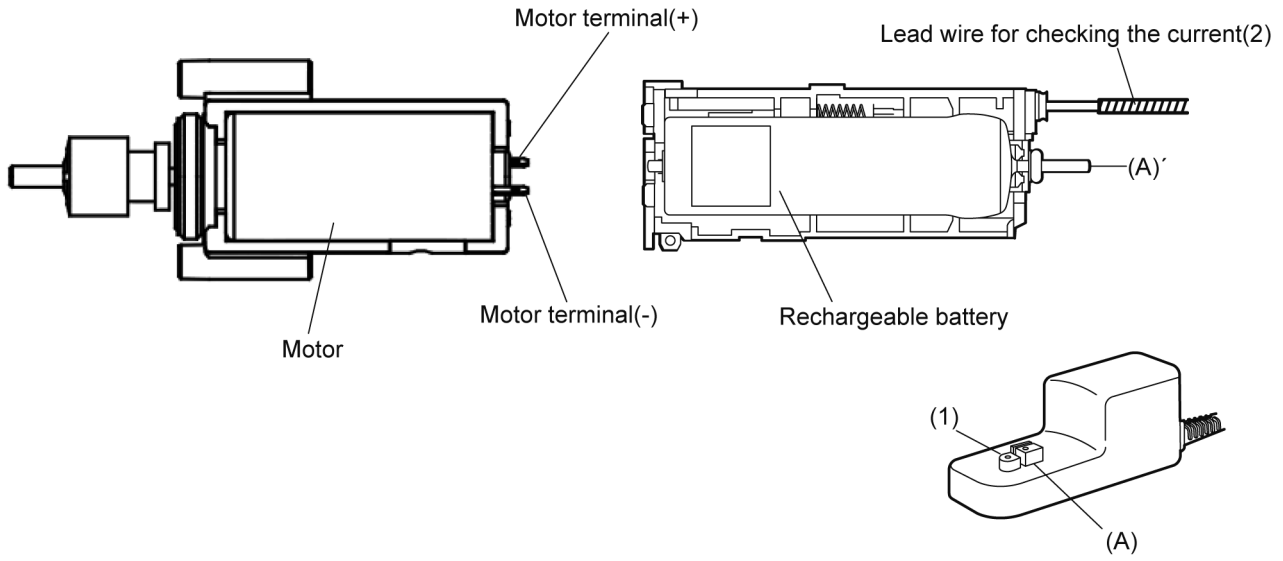
Align the projection of switch select button on housing A with the groove of switch plate on battery case.

NOTE:

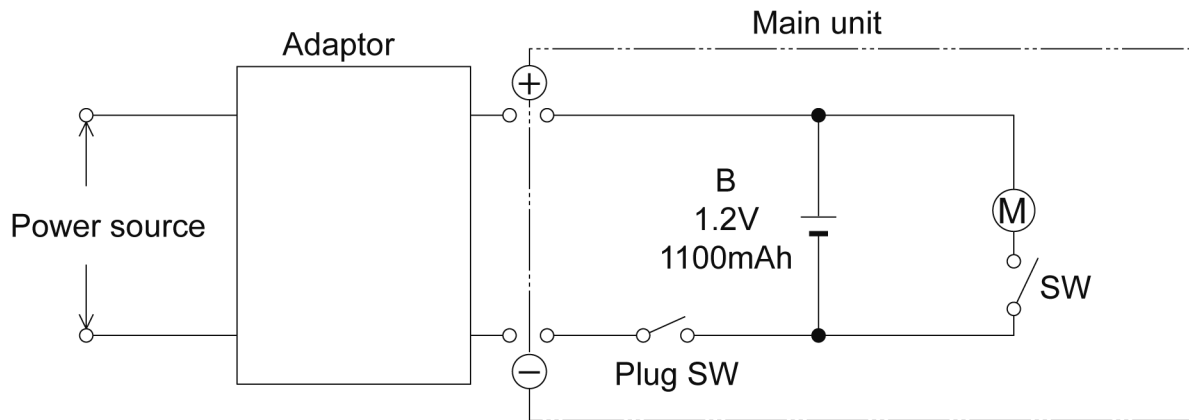
Make sure to assemble the washer and O-ring into the battery and lever.



5 Wiring Connection Diagram

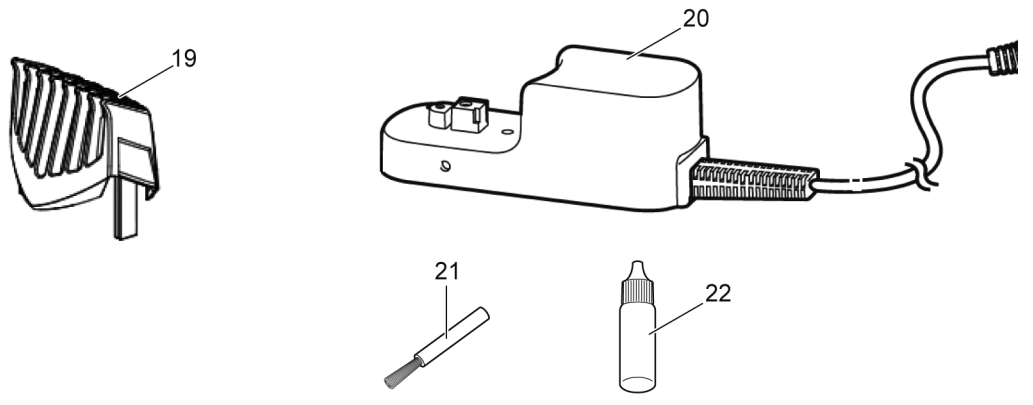
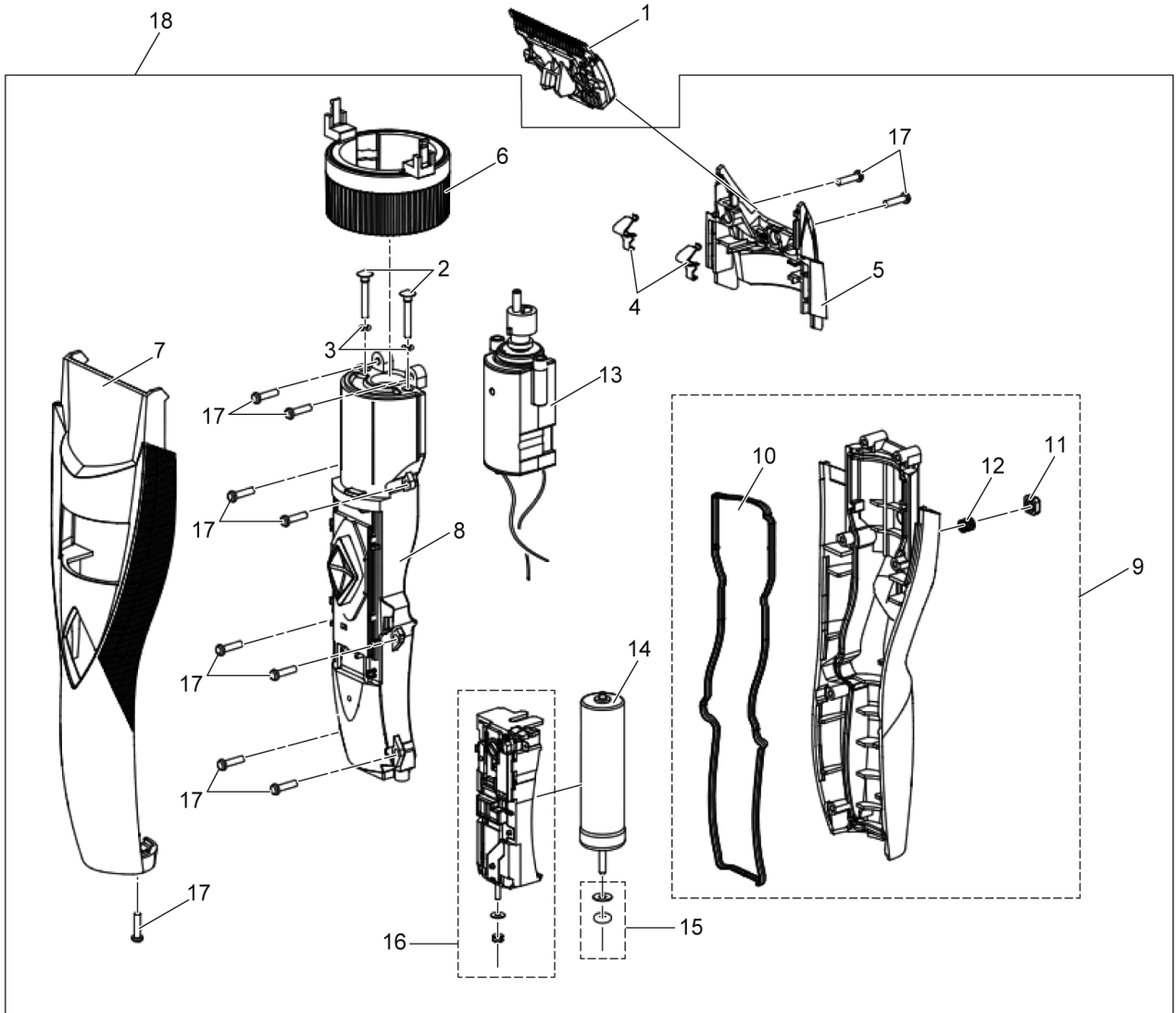


6 Schematic Diagram



7 Exploded View and Replacement Parts List

7.1. Exploded View



7.2. Replacement Parts List

Safety	Ref. No.	Part No.	Part Name & Description	Quantity	Remarks
	1	WER9605E	BLADE BLOCK	1	
	2	WES7025L9707	SCREW	2	
	3	WER217L0967	O-RING B	2	(6PCS/PK)
	4	WER504L0166	SPRING FOR CUTTER	2	(2PCS/PK)
	5	WERGB37K1588	BLADE HOLDER	1	
	6	WERGB37K3288	ADJUSTING DIAL	1	
	7	WERGB37K3968	FRONT PANEL	1	
	8	WERGB37K3058	HOUSING A	1	
	9	WERGB37K3068	HOUSING B	1	
	9	WERGB37K3069	HOUSING B	1	only for India
	10	WERGB37L0588	HOUSING O-RING	1	
	11	WERGB40L0458	CLICK BUTTON	1	
	12	WERGB40L0178	SPRING A	1	
	13	WERGB37L1008	MOTOR ASSEMBLY	1	
	14	WESRW35L2508	RECHARGEABLE BATTERY	1	Ni-MH Type, (2PCS/PK)
	15	WESRW30L0977	WASHER & O-RING SET	1	
	16	WESRW30L0237	BATTERY HOLDER	1	
	17	WES8176L6056	TAPPING SCREW	11	K2-8
	18	WERGB37K3038	BODY BLOCK	1	
	18	WERGB37K3031	BODY BLOCK	1	only for India
	19	WERGB37K7398	COMB ATTACHMENT	1	
	20	WERGB37K7676	AC ADAPTOR	1	C-2 PLUG
	20	WERGB37K7675	AC ADAPTOR	1	BF3 PLUG
	20	WERGB37K7655	AC ADAPTOR	1	C-2 PLUG, only for India
	21	WERGB30H7048	CLEANING BRUSH	1	
	22	WERC20X7918	OIL	1	
	-	WERGB37K8008	INDIVIDUAL BOX	1	only for BF3 Plug model
	-	WERGB37K8009	INDIVIDUAL BOX	1	
	-	WERGB37K8000	INDIVIDUAL BOX	1	only for India
	-	WERGB37K8108	OPERATING INSTRUCTIONS	1	
	-	WERGB37K8109	OPERATING INSTRUCTIONS	1	only for India