

Service Manual

Beard Trimmer

Model No. **ER-GB30**
ER-GB35



Asia
Middle East

⚠ WARNING

This service information is designed for experienced repair technicians only and is not designed for use by the general public. It does not contain warnings or cautions to advise non-technical individuals of potential dangers in attempting to service a product. Products powered by electricity should be serviced or repaired only by experienced professional technicians. Any attempt to service or repair the product or products dealt with in this service information by anyone else could result in serious injury or death.

IMPORTANT SAFETY NOTICE

There are special components used in this equipment which are important for safety. These parts are marked by ⚠ in the Schematic Diagrams, Circuit Board Diagrams, Exploded Views and Replacement Parts List. It is essential that these critical parts should be replaced with manufacturer's specified parts to prevent shock, fire or other hazards. Do not modify the original design without permission of manufacturer.

TABLE OF CONTENTS

	PAGE	PAGE
1 Warning -----	2	
2 Specifications -----	2	
3 Troubleshooting Guide -----	3	
4 Disassembly and Assembly Instructions -----	4	
5 Schematic Diagram -----	5	
6 Exploded View and Replacement Parts List -----	6	
6.1. Exploded View for ER-GB30 -----	6	
6.2. Replacement Parts List for ER-GB-30 -----	7	
6.3. Exploded View for ER-GB35 -----	8	
6.4. Replacement Parts List for ER-GB-35 -----	9	

Panasonic

© Panasonic Corporation 2012 Unauthorized copying and distribution is a violation of law.

1 Warning

Caution:

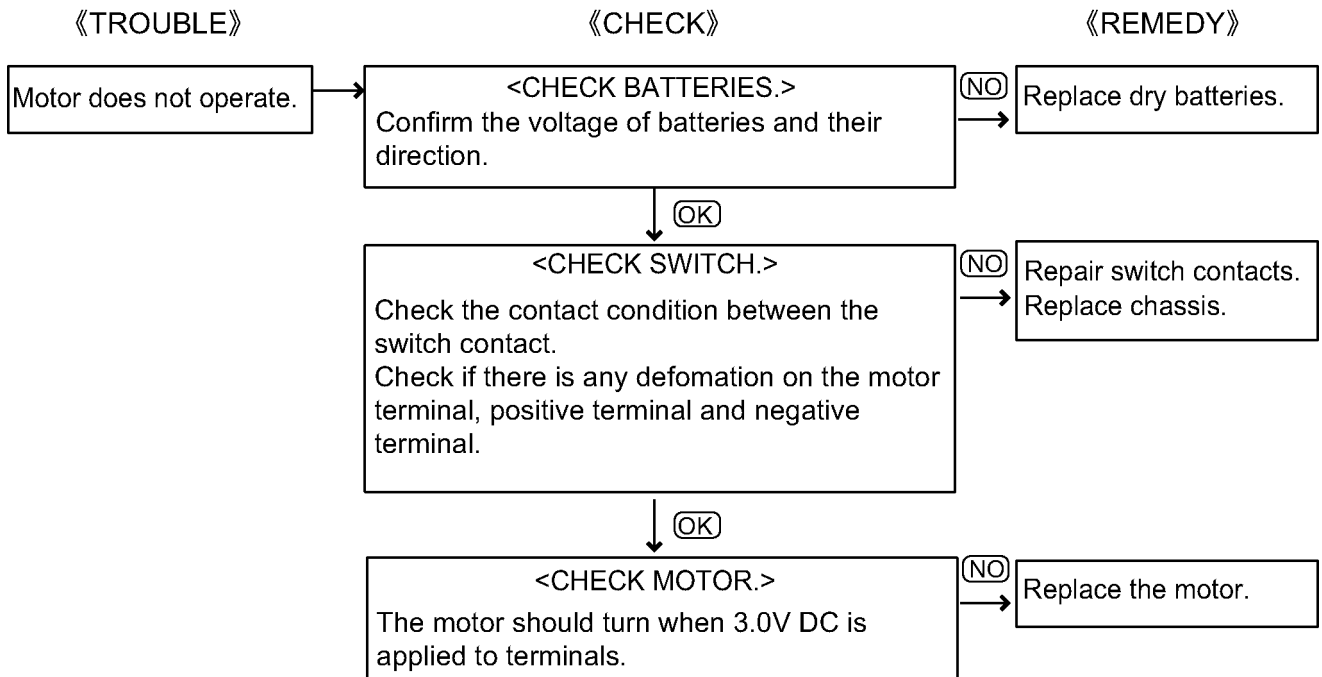
- Pb free solder has a higher melting point than standard solder; Typically the melting point is 50 - 70°F (30 - 40°) higher. Please use a soldering iron with temperature control and adjust it to 750 ± 20°F (400 ± 10°). In case of using high temperature soldering iron, please be careful not to heat too long.
- Pb free solder will tend to splash when heated too high (about 1100°F / 600°C).

2 Specifications

Power source	DC 3.0 V(Two AAA (LR03) dry-cell batteries)
Usable time	Continuously 50 minutes
Measurement	L:14.4 × W:4.3 × D:3.4 (cm)
Weight	110g (including comb attachment and batteries)

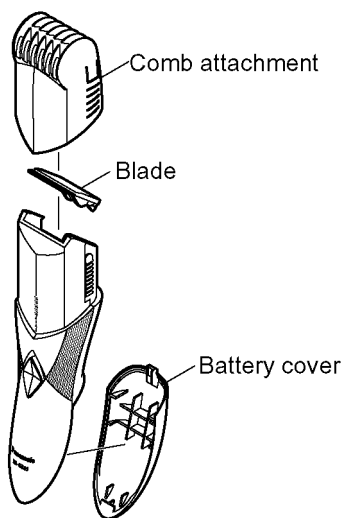
Supplied accessories	Comb attachment
	Comb attachment for Underarms / Bikini area (only for ER-GB35)
	Cleaning brush
	Oil

3 Troubleshooting Guide

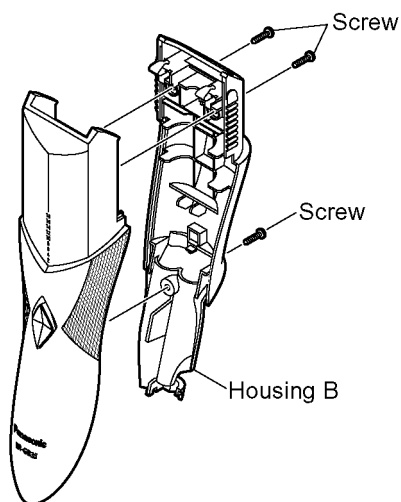


4 Disassembly and Assembly Instructions

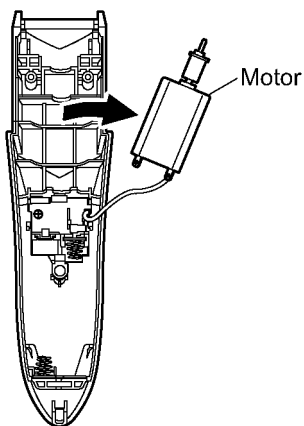
1. Remove the Comb attachment and an blade and battery cover.



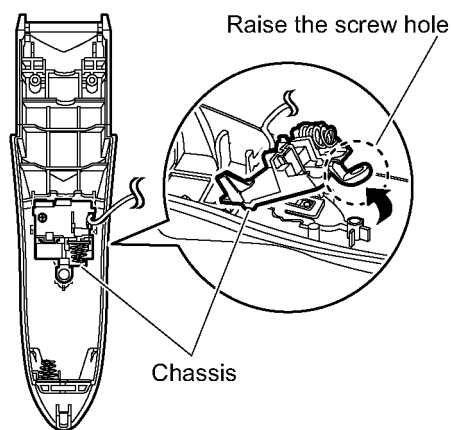
2. Remove the three screws.
3. Take out the housing B.



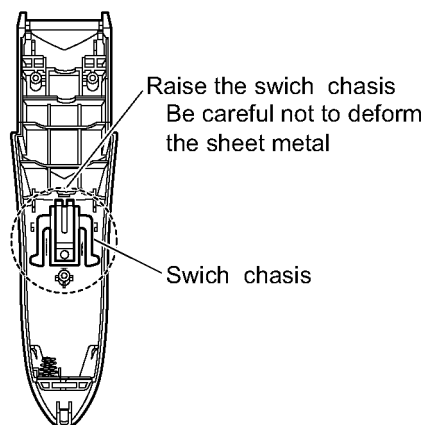
4. Remove the motor.



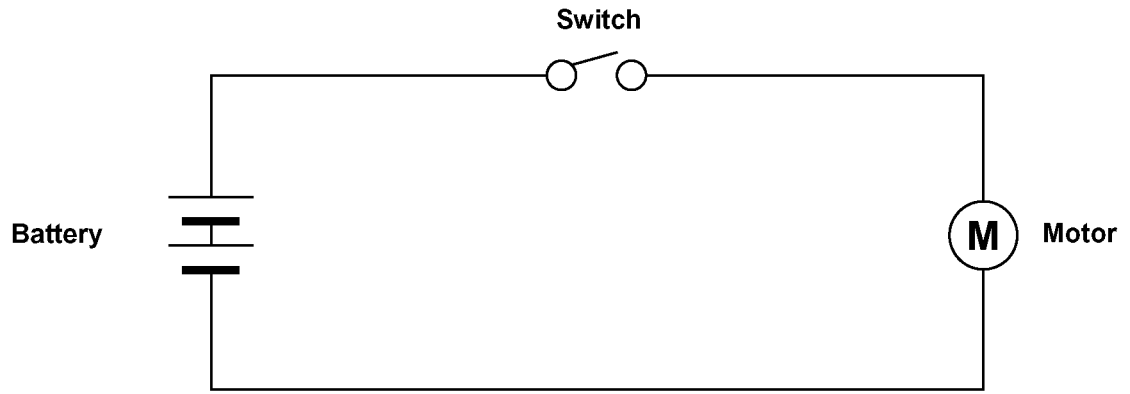
5. Remove the chassis.



6. Remove the switch chassis.

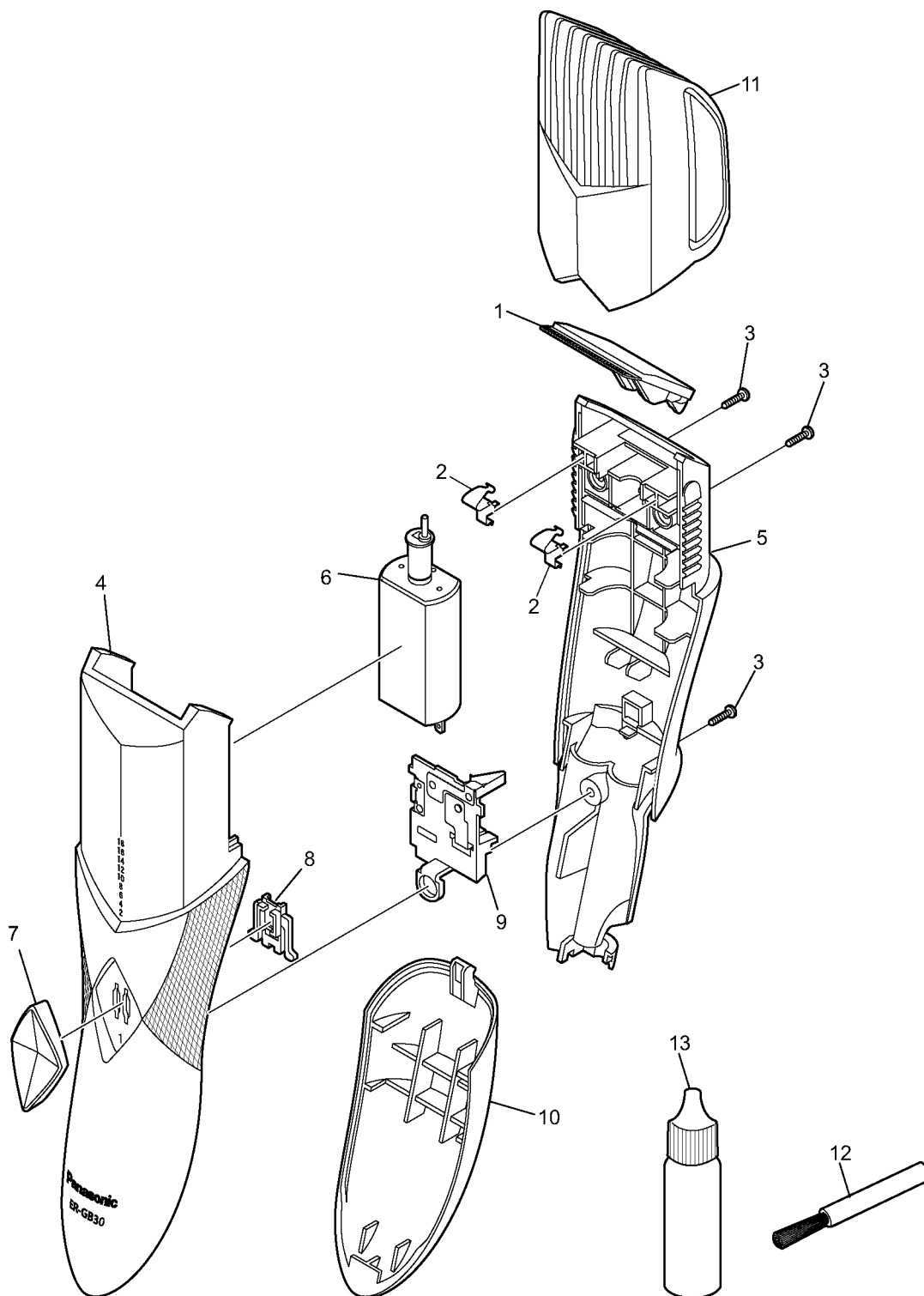


5 Schematic Diagram



6 Exploded View and Replacement Parts List

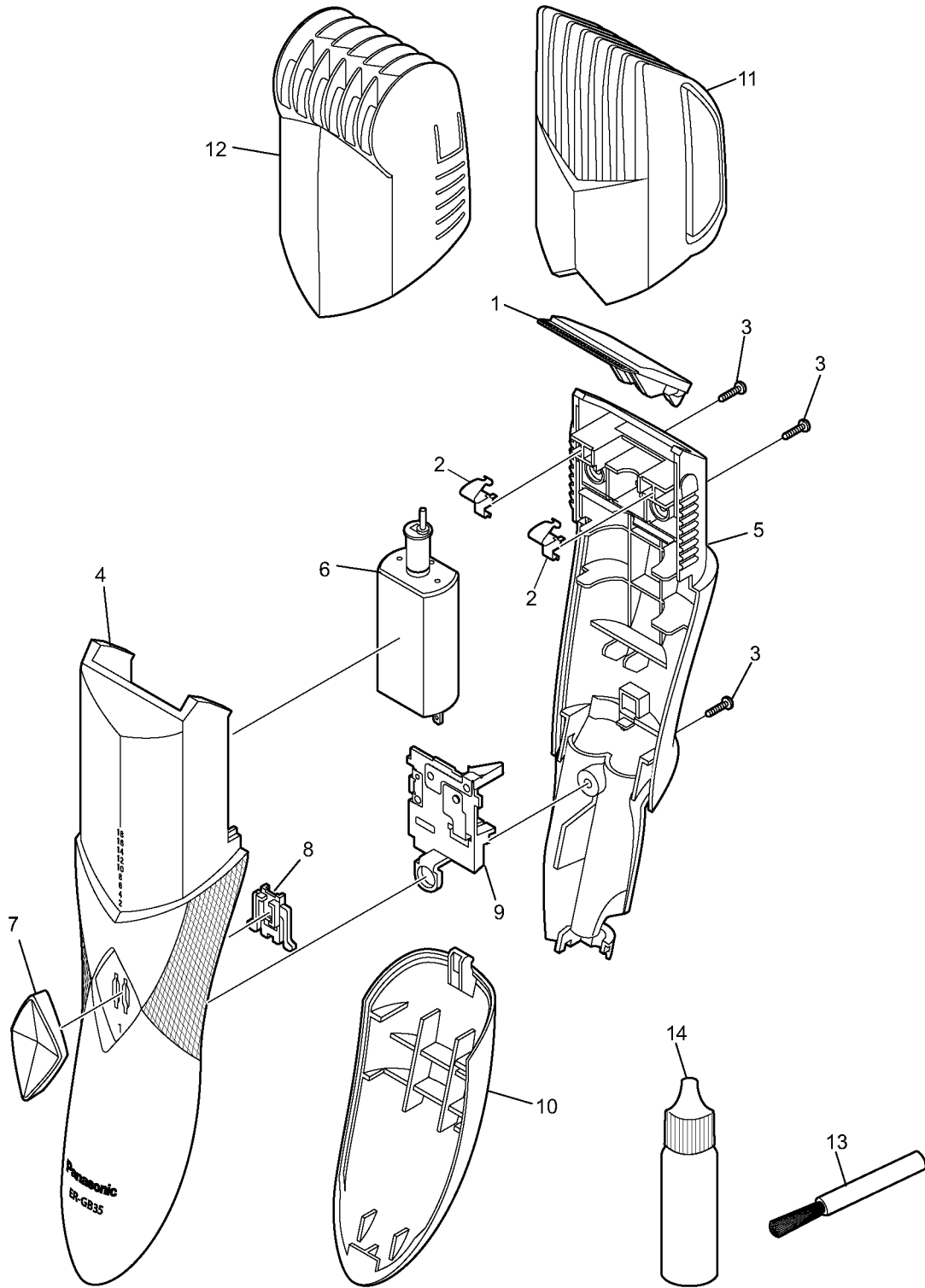
6.1. Exploded View for ER-GB30



6.2. Replacement Parts List for ER-GB-30

Safety	Ref. No.	Part No.	Part Name & Description	Quantity	Remarks
	1	WER9606E	BLADE BLOCK	1	
	2	WER504L0167	SPRING FOR CUTTER	1ST	(2PCS/PK)
	3	WESSA60L6007	SCREW	3	K2-8
	4	WERGB30K3058	HOUSING A	1	for BLACK MODEL
	4	WERGB30A3058	HOUSING A	1	for BLUE MODEL
	5	WERGB30K3068	HOUSING B	1	for BLACK MODEL
	5	WERGB30A3068	HOUSING B	1	for BLUE MODEL
	6	WERGB30L1008	DC MOTOR	1	
	7	WERGB30A3208	SWITCH HANDLE	1	for BLACK MODEL
	7	WERGB30K3208	SWITCH HANDLE	1	for BLUE MODEL
	8	WERGB30L3578	SWITCH CONTACT	1	
	9	WERGB30K0778	TERMINAL BLOCK	1	for BLACK MODEL
	9	WERGB30A0778	TERMINAL BLOCK	1	for BLUE MODEL
	10	WERGB30K3128	BATTERY COVER	1	for BLACK MODEL
	10	WERGB30A3128	BATTERY COVER	1	for BLUE MODEL
	11	WERGB30K7398	COMB ATTACHMENT	1	
	12	WERGB30H7048	CLEANING BRUSH	1	
	13	WES8196X7918	OIL	1	
	-	WERGB30K8008	INDIVIDUAL BOX	1	for BLACK and ASIA MODEL
	-	WERGB30K8009	INDIVIDUAL BOX	1	for BLACK and MIDDLE EAST MODEL
	-	WERGB30A8008	INDIVIDUAL BOX	1	for BLUE and ASIA MODEL
	-	WERGB30K8108	OPERATING INSTRUCTIONS	1	for ASIA
	-	WERGB30K8109	OPERATING INSTRUCTIONS	1	for MIDDLE EAST

6.3. Exploded View for ER-GB35



6.4. Replacement Parts List for ER-GB-35

Safety	Ref. No.	Part No.	Part Name & Description	Quantity	Remarks
	1	WER9606E	BLADE BLOCK	1	
	2	WER504L0167	SPRING FOR CUTTER	1ST	(2PCS/PK)
	3	WESSA60L6007	SCREW	3	K2-8
	4	WERGB35H3058	HOUSING A	1	
	5	WERGB35H3068	HOUSING B	1	
	6	WERGB30L1008	DC MOTOR	1	
	7	WERGB30K3208	SWITCH HANDLE	1	
	8	WERGB30L3578	SWITCH CONTACT	1	
	9	WERGB35H0778	TERMINAL BLOCK	1	
	10	WERGB35H3128	BATTERY COVER	1	
	11	WERGB30K7398	COMB ATTACHMENT	1	
	12	WERGB30K7408	COMB ATTACHMENT FOR UNDER-ARMS/BIKINI AREA	1	
	13	WERGB30H7048	CLEANING BRUSH	1	
	14	WES8196X7918	OIL	1	
	-	WERGB35H8008	INDIVIDUAL BOX	1	
	-	WERGB30K8108	OPERATING INSTRUCTIONS	1	