

Service Manual

Negative Ion Steam Hair Straightener

EH1673-A3

EH1613-T3



EH1673

EH1613

SPECIFICATIONS

EH1673

Power Source	AC220-240V / 50-60Hz
Rated current	0.2A
Tank Quantity	approximately 6 ml
Steam discharge rate	approximately 0.35 ml/min
Iron pipe temperature	approximately 145°C
Cord length	1.7 m
Weight	approximately 375 g (B2 plug) approximately 435 g (S3 plug)

EH1613

Power Source	AC110V / 50-60Hz
Rated current	31W
Tank Quantity	approximately 6 ml
Steam discharge rate	approximately 0.35 ml/min
Iron pipe temperature	approximately 145°C
Cord length	1.7 m
Weight	approximately 320 g (A2 plug)

WARNING

This service information is designed for experienced repair technicians only and is not designed for use by the general public. It does not contain warnings or cautions to advise non-technical individuals of potential dangers in attempting to service a product. Products powered by electricity should be serviced or repaired only by experienced professional technicians. Any attempt to service or repair the product or products dealt with in this service information by anyone else could result in serious injury or death.

Panasonic

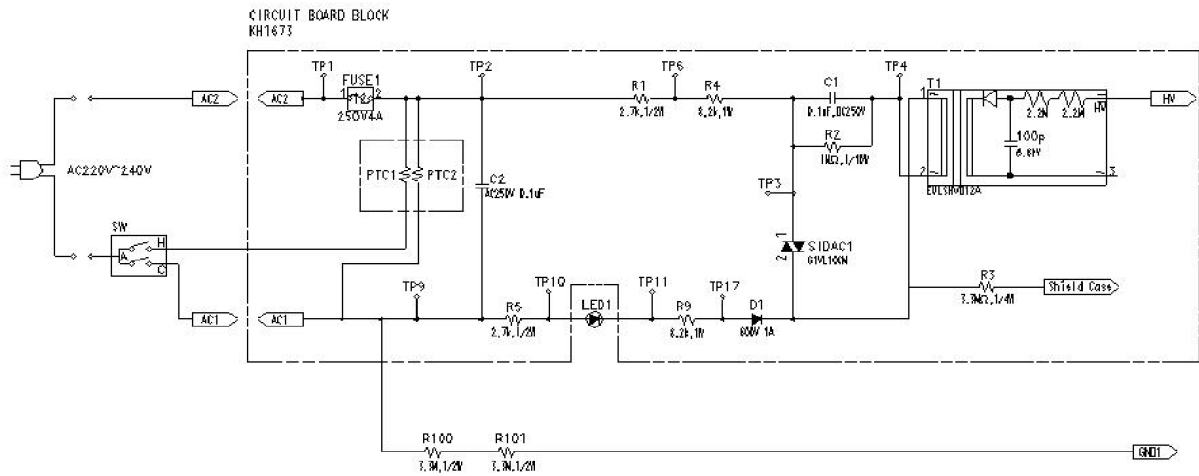
© 2005 Matsushita Electric Works (Thailand), Ltd. All rights reserved. Unauthorized copying and distribution is a violation of law.

CONTENTS

	Page		Page
1 SCHEMATIC DIAGRAM	3	4 TROUBLESHOOTING GUIDE	9
2 WIRING CONNECTION DIAGRAM	4	5 EXPLODED VIEW	10
3 DISASSEMBLY INSTRUCTIONS	5	6 REPLACEMENT PARTS LIST	11

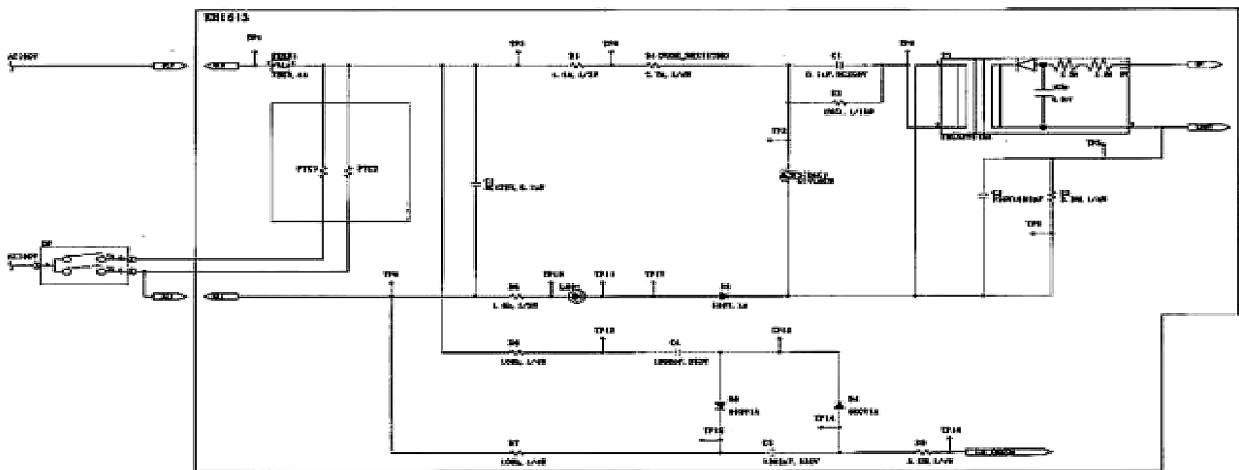
1 SCHEMATIC DIAGRAM

1.1. EH1673



(For EH1673)

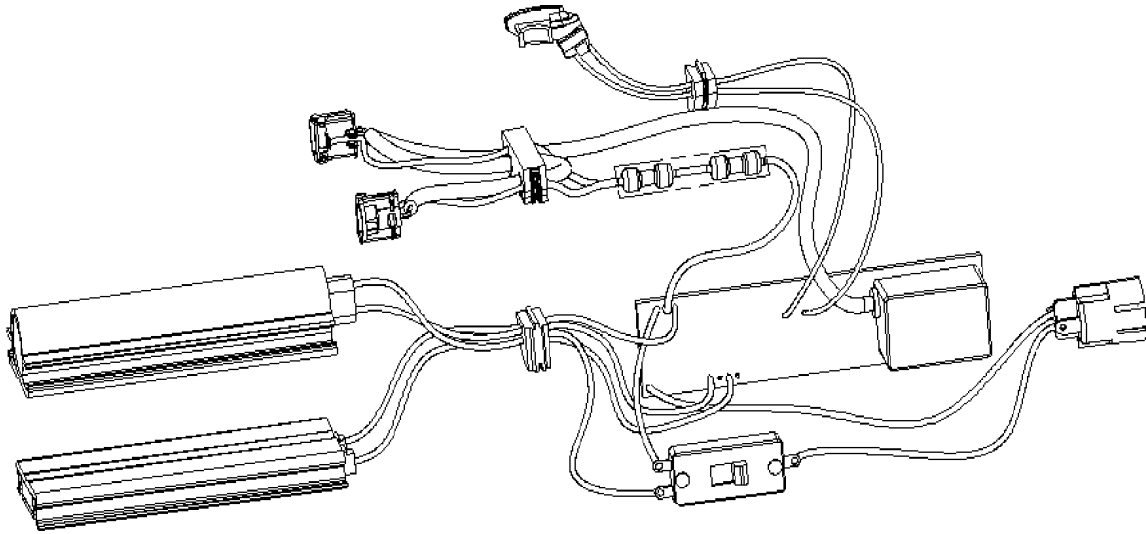
1.2. EH1613



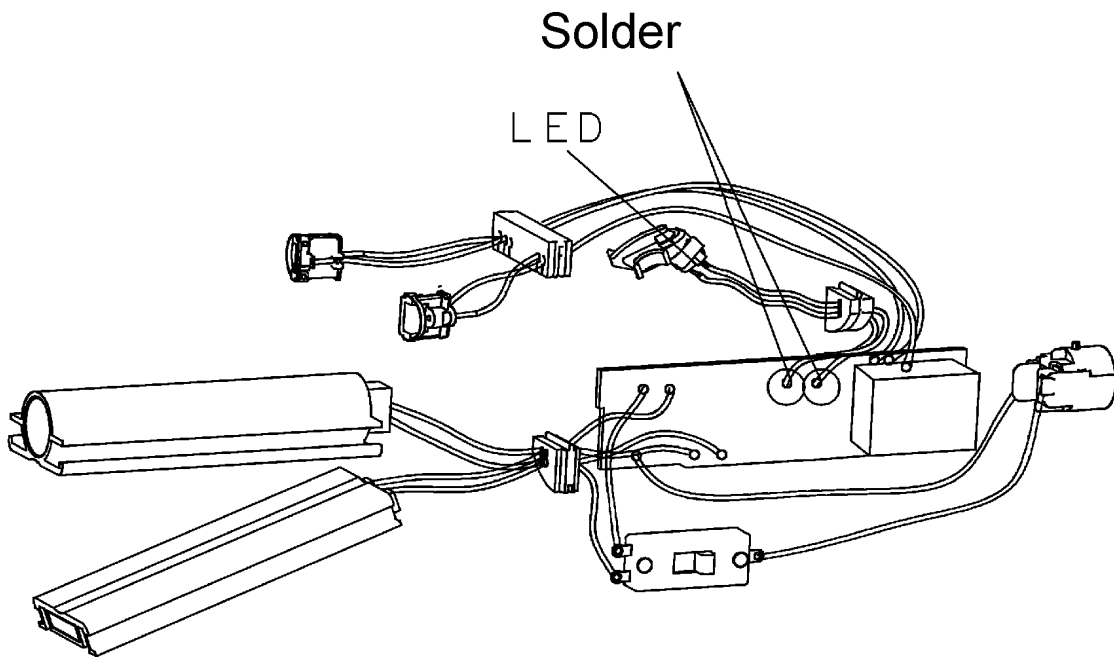
(For EH1613)

2 WIRING CONNECTION DIAGRAM

2.1. EH1673

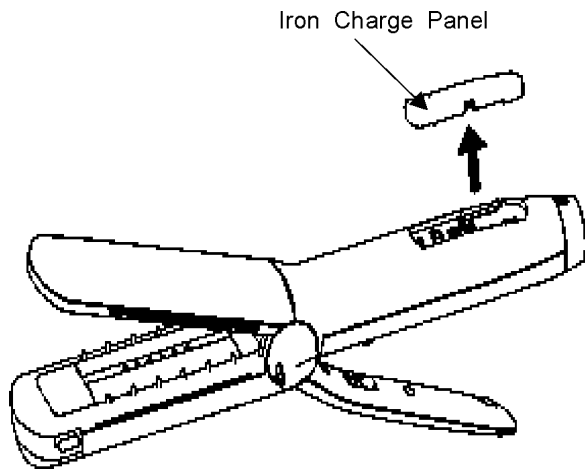


2.2. EH1613

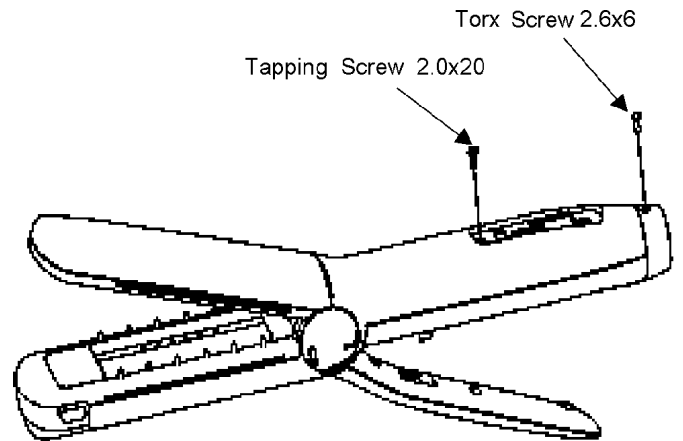


3 DISASSEMBLY INSTRUCTIONS

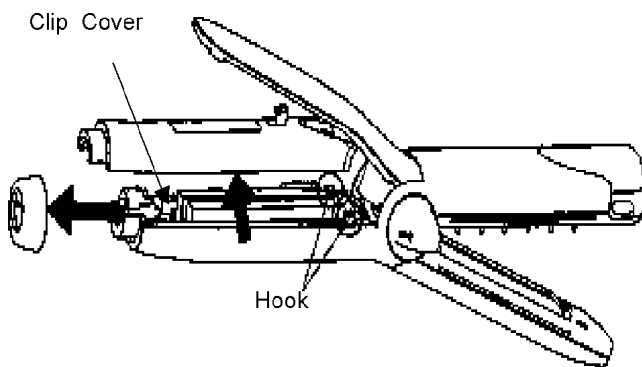
1. Remove Ion Charge Panel from Main Body.



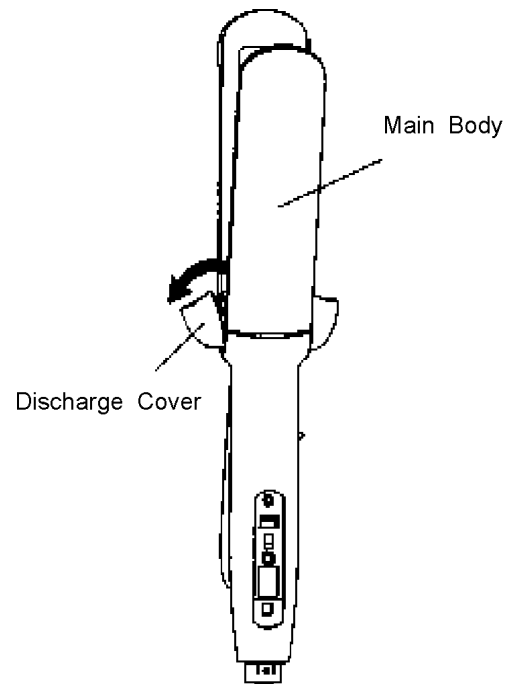
2. Remove Tapping Screw(2.0x20)and torx Screw(2.6x6) .



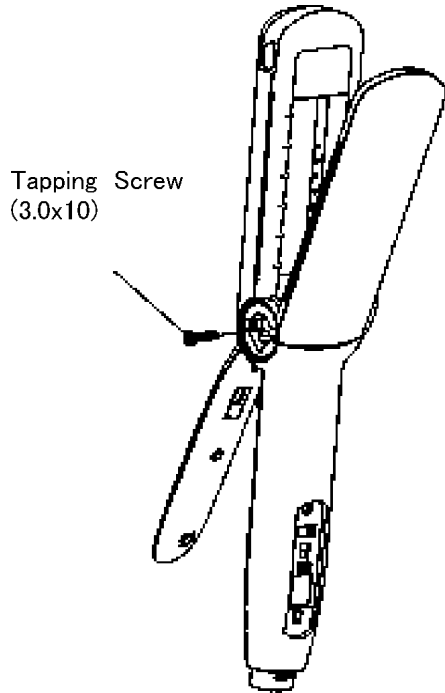
3. Remove The Fixing Ring and Clip Cover by push at 2 hooks.



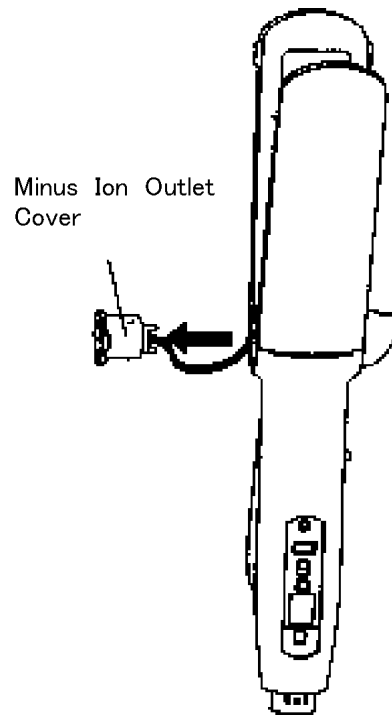
4. Remove Discharge Cover (no printing side) from Main Body as show in Figure.



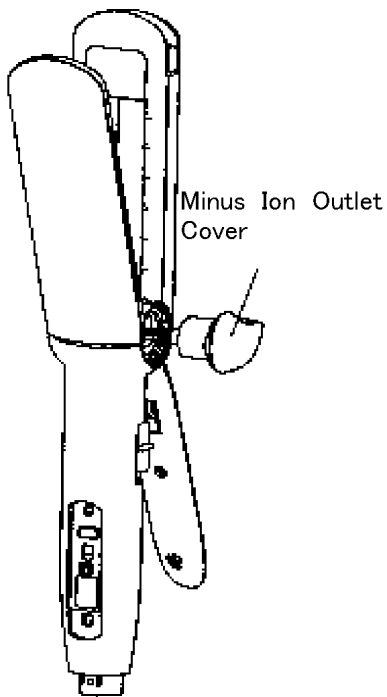
5. Remove Tapping Screw (3.0x10) from Main Body.



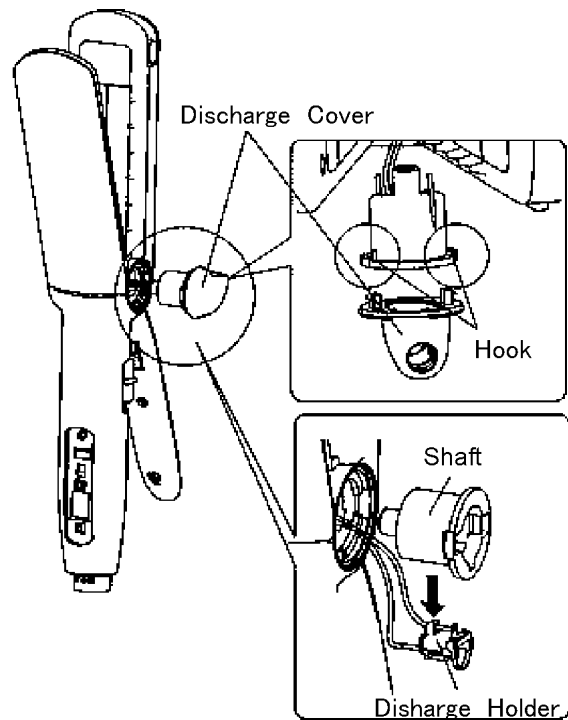
6. Take off the shaft (on printing side) from Main Body.



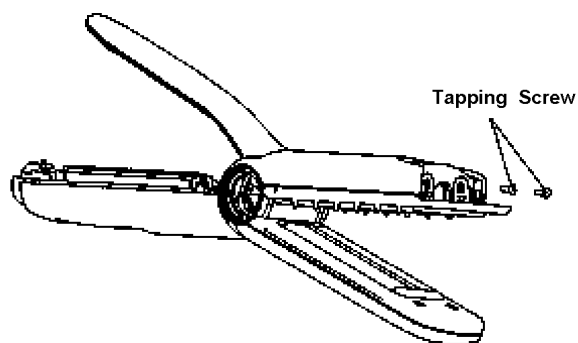
7. Remove Discharge Cover (Printing side) from Main Body.



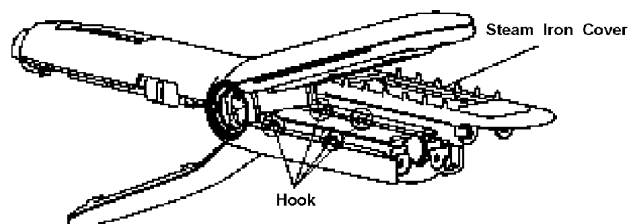
8. Take off Discharge Cover from Shaft and take off Discharge Holder from discharge Cover.



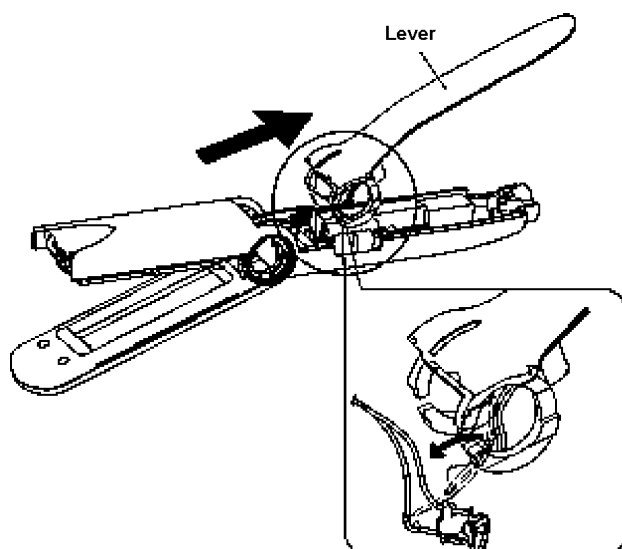
9. Remove 2 Tapping Screws (2.0x6.0) from Main Body.



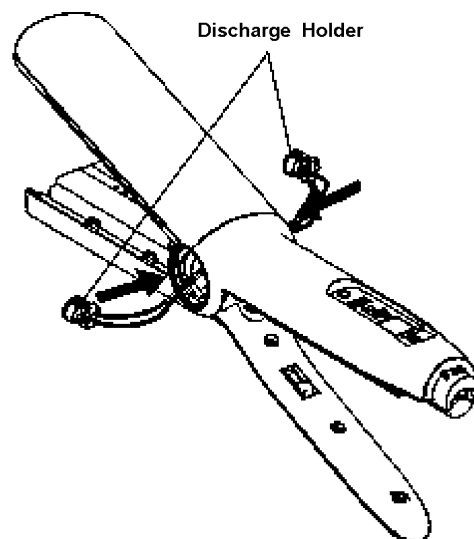
10. Remove Steam Iron Cover from Main Body by push at 4 hooks.



11. Take off Lever B/K from Main Body by backside.

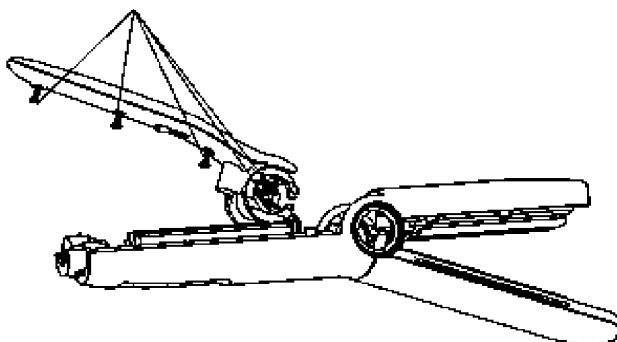


12. Input Discharge Holder into hold of Main Body by arrow side.

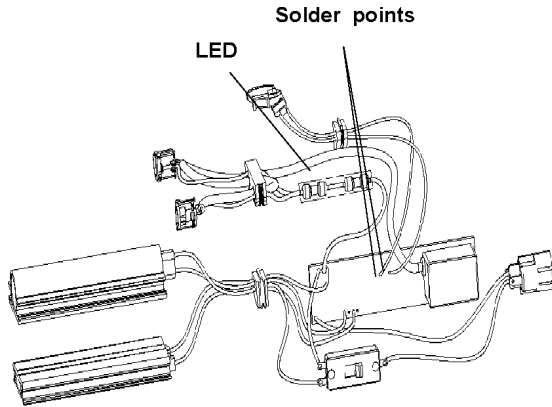


13. Remove 5 Tapping Screws from Lever

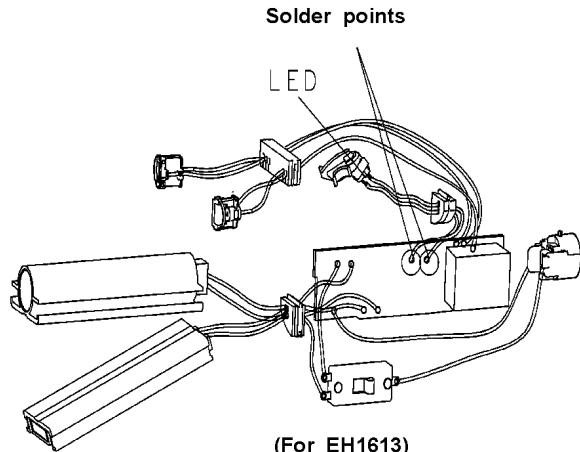
Tapping Screws (2.6 - 6)



14. Take off LED B/K by solder 2 points.

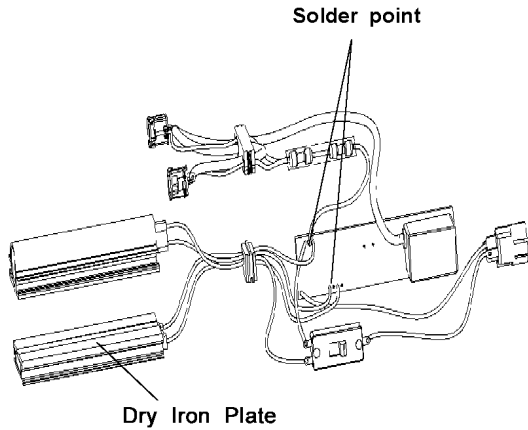


(For EH1673)

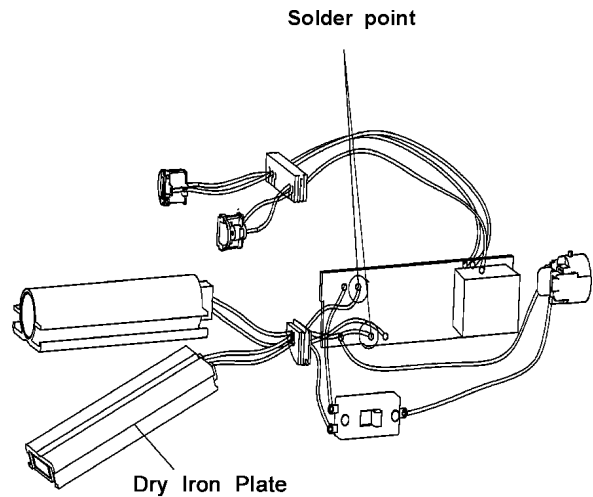


(For EH1613)

15. Take off Dry Iron Plate by solder 2 points.

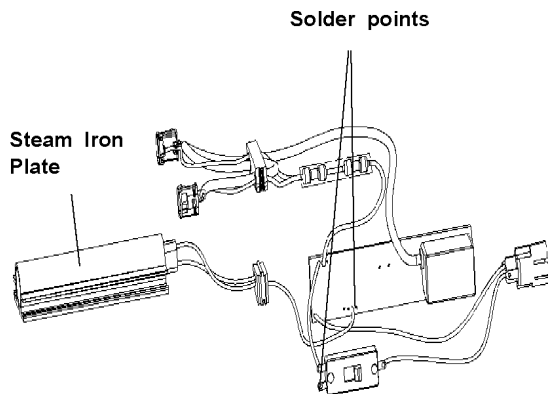


(For EH1673)

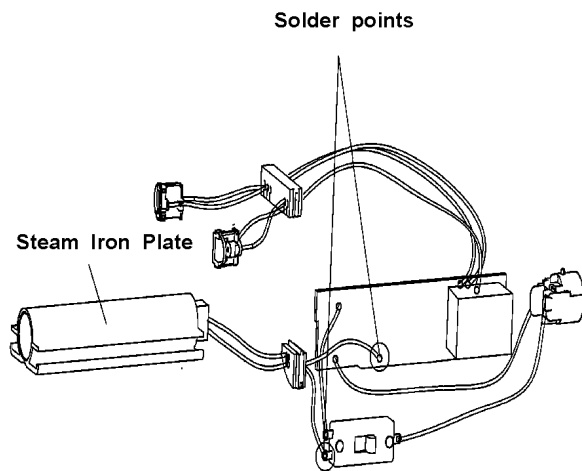


(For EH1613)

16. Take off Steam Iron Plate by solder 2 points.

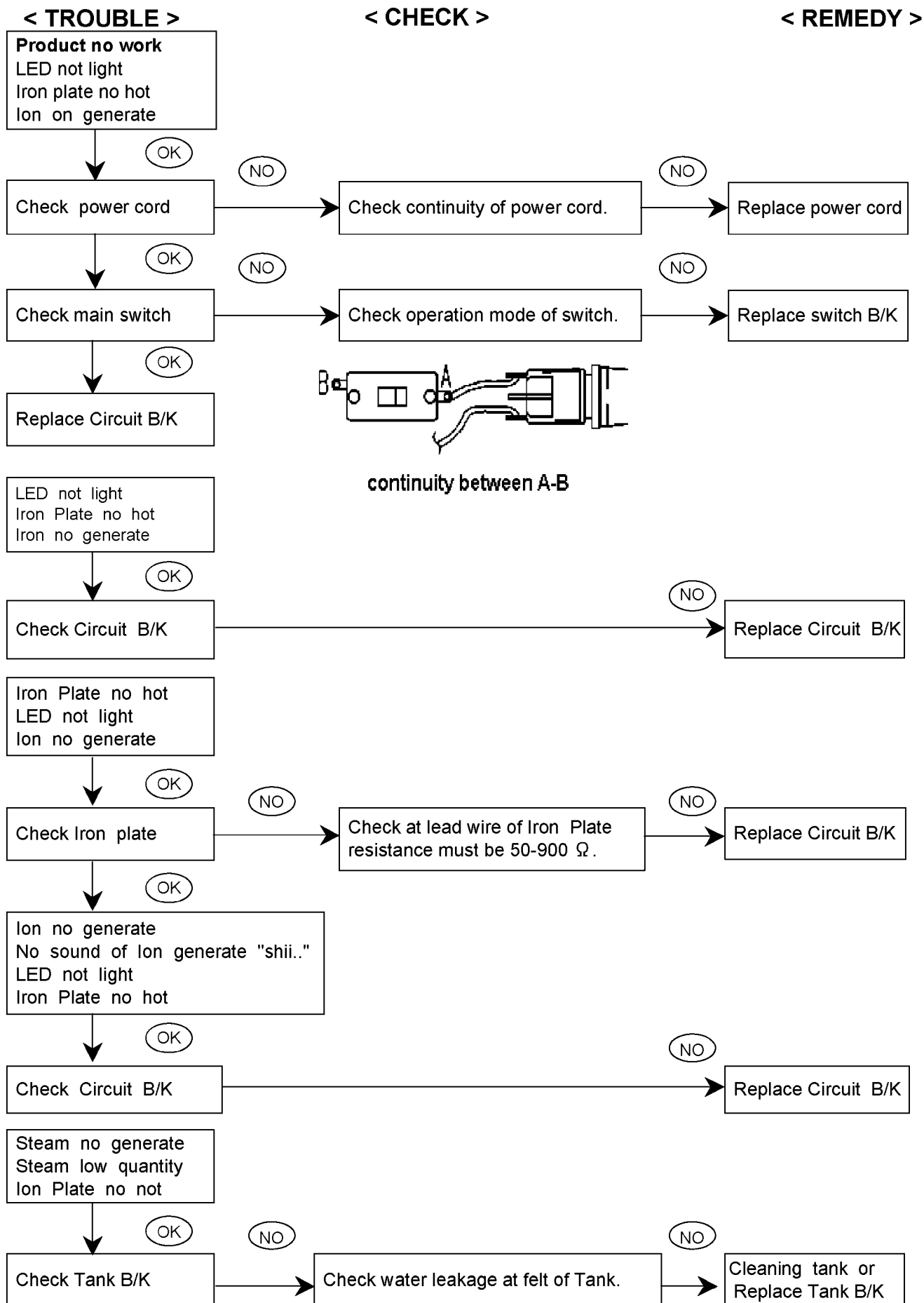


(For EH1673)

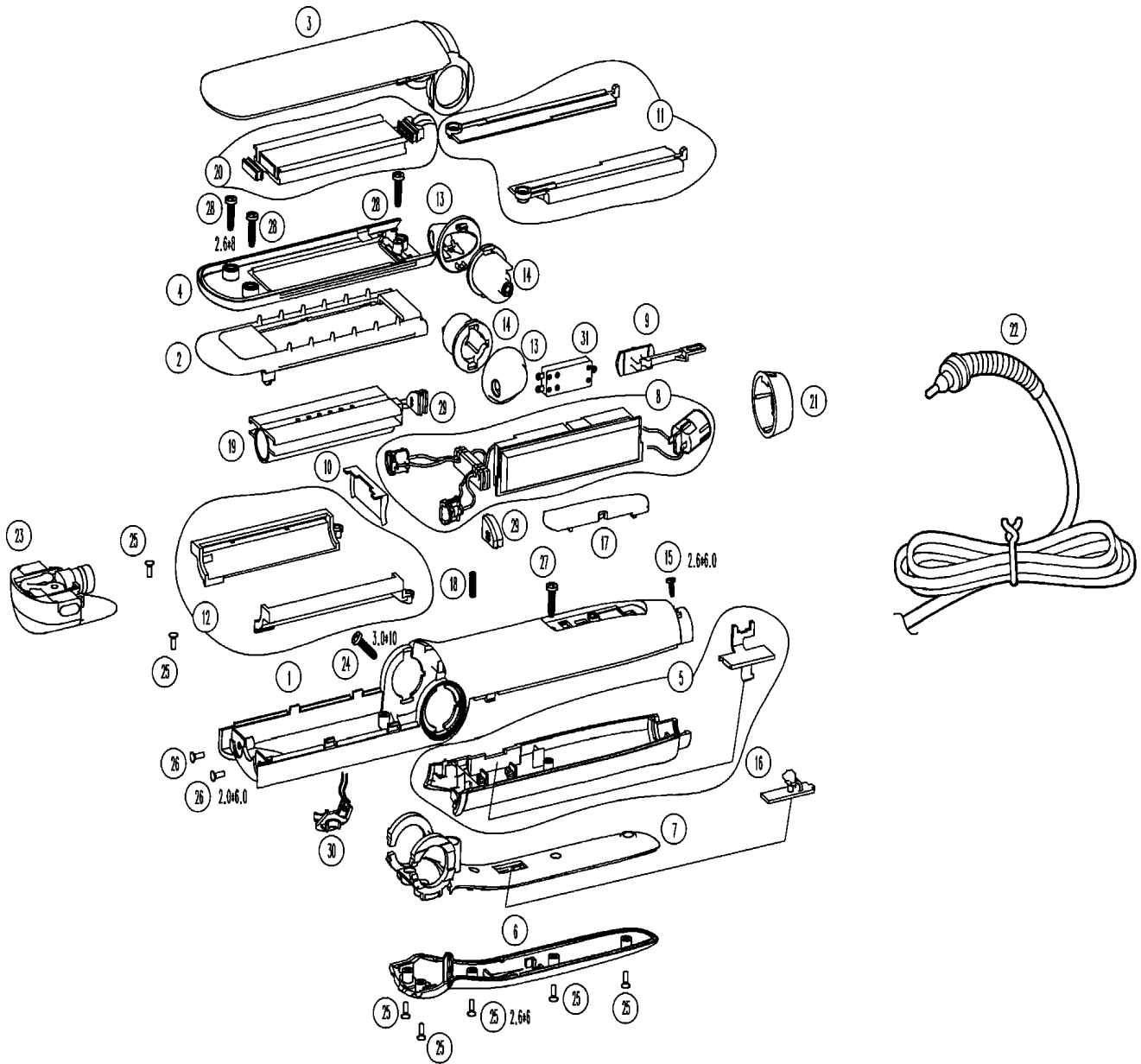


(For EH1613)

4 TROUBLESHOOTING GUIDE



5 EXPLODED VIEW



6 REPLACEMENT PARTS LIST

6.1. EH1673

Remarks: *1 = Available individually

Ref.No.	Part No.	Part Name & Descriptions	Remarks		Per Unit
1	EH1673HSAL2W	HOUSING A ASS`Y	BLUE	OTHERS	1
1	EH1673HSAL7W	HOUSING A ASS`Y	BLUE	KOREA	1
2	EH1673SICVW	STEAM IRON COVER	VIOLET		1
3	EH1673HSBLW	HOUSING B	BLUE		1
4	EH1673DICVW	DRY IRON COVER	VIOLET		1
5	EH1673HSAC2W	HOUSING A COVER ASS`Y	VIOLET	OTHERS	1
5	EH1673HSAC7W	HOUSING A COVER ASS`Y	VIOLET	KOREA	1
6	EH1673LVLW	LEVER	BLUE		1
7	EH1673LCVW	LEVER COVER	VIOLET		1
8	EH1673CCAW	CIRCUIT ASS`Y			1
9	EH1673SWPVW	SWITCH PLATE	VIOLET		1
10	EH1673PCVW	PIVOT COVER	VIOLET		1
11	EH1673DIHHW	DRY IRON HOLDER	GRAY		1
12	EH1673SIHHW	STEAM IRON HOLDER	GRAY		1
13	EH1673DCLW	DISCHARGE COVER	BLUE		1
14	EH1673SHHW	SHAFT AB	PALE GRAY		1
15	EH16732660SW	TAPPING SCREW	2.6*6		1
16	EH1673LHVW	LOCK HOOK	VIOLET		1
17	EH1673ELBVW	ELECTRIFICATION BOARD	VIOLET		1
18	EH1673SPW	SPRING			1
19	EH1673SIPW	STEAM IRON PLATE ASS`Y			1
20	EH1673DIPW	DRY IRON PLATE ASS`Y			1
21	EH1673FRVW	FIXING RING	VIOLET BLUE		1
22	EH1673PCHB2W	POWER CORD	GRAY	B2-PLUG OTHERS	1
22	EH1673PCHS3W	POWER CORD	GRAY	S3-PLUG, S`PORE, HK, MALAYSIA	1
23	EH1673TJALW	TANK WITH JOINT ASS`Y	BLUE		1
24	EH1673T3010W	TAPPING SCREW	3*10		1
25	EH1673T2660W	TAPPING SCREW	2.6*6	*1	7
26	EH1673T2006W	TAPPING SCREW	2*6	*1	2
27	EH1673T2020W	TAPPING SCREW	2*20		1
28	EH1673T2608W	TAPPING SCREW	2.6*8	*1	3
29	EH1673PKW	PACKING AB			1
30	EH1673LEDW	LED ASS`Y			1
31	EH1673SSW	SELECT SWITCH			1
-	EH1673S01LW	INDIVIDUAL PACKAGE			1
-	EH1673S03W	INSTRUCTION BOOKLET			1
-	EH1673S09W	FILLER FOR PACKAGE			1

Remarks: *1 = Available individually

All parts are supplied from MEW-Thailand throught PLGA

6.2. EH1613

Remarks: *1 = Available individually

Ref.No.	Part No.	Part Name & Descriptions	Remarks	Per Unit
1	EH1613HSAL1W	HOUSING A ASS'Y	BLUE	1
2	EH1613STICLW	STEAM IRON COVER	BLUE	1
3	EH1613HSBLW	HOUSING B	BLUE	1
4	EH1613DICLW	DRY IRON COVER	BLUE	1
5	EH1613HSCL1W	HOUSING A COVER ASS'Y	BLUE	1
6	EH1613LV1W	LEVER	BLUE	1
7	EH1613LC1W	LEVER COVER	BLUE	1
8	EH1613CC1W	CIRCUIT ASS'Y		1
9	EH1613SWPLW	SWITCH PLATE	BLUE	1
10	EH1613PCLW	PIVOT COVER	BLUE	1
11	EH1613DIHHLW	DRY IRON HOLDER	GRAY	1
12	EH1613SIHHLW	STEAM IRON HOLDER	GRAY	1
13	EH1613DCLW	DISCHARGE COVER	BLUE	1
14	EH1613SHAHLW	SHAFT AB	PALE GRAY	1
15	EH16132660SW	TAPPING SCREW	2.6*6	1
16	EH1613LHLW	LOCK HOOK	BLUE	1
17	EH1613EBALW	ELECTRIFICATION BOARD ASS'Y	BLUE	1
18	EH1613SPLW	SPRING		1
19	EH1613SIPLW	STEAM IRON PLATE ASS'Y		1
20	EH1613DIPLW	DRY IRON PLATE ASS'Y		1
21	EH1613FRLW	FIXING RING	BLUE	1
22	EH1613PCW	POWER CORD	GRAY	1
23	EH1613TJALW	TANK WITH JOINT ASS'Y	BLUE	1
24	EH1613T3010W	TAPPING SCREW	3*10	1
25	EH16132660UW	TAPPING SCREW	2.6*6	*1 7
26	EH1613T2006W	TAPPING SCREW	2*6	*1 2
27	EH1613T2020W	TAPPING SCREW	2*20	1
28	EH1613T2608W	TAPPING SCREW	2.6*8	*1 3
29	EH1613PKW	PACKING AB		1
30	EH1613LEDW	LED ASS'Y		1
31	EH1613SSW	SELECT SWITCH		1
-	EH1613135LW	INDIVIDUAL PACKAGE		1
-	EH161313503W	INSTRUCTION BOOKLET		1
-	EH1613S09W	FILLER FOR PACKAGE		1

Remarks: *1 = Available individually

All parts are supplied from MEW-Thailand through PLGA