

Service Manual

[TOP](#) [NEXT](#)

ORDER NO. PCD0311A86C3

Service Manual

Hair Straightener

- EH1671-A3



SPECIFICATIONS

Power Source	AC110V, 220-240V/ 50-60Hz (Separately available)
Power consumption	1.....110V, 220-240V/ 25W
Cord length	1.7m
Weight	approx. 510g

© 2003 Matsushita Electric Works (Thailand), Ltd. All rights reserved. Unauthorized copying and distribution is a violation of law.

WARNING

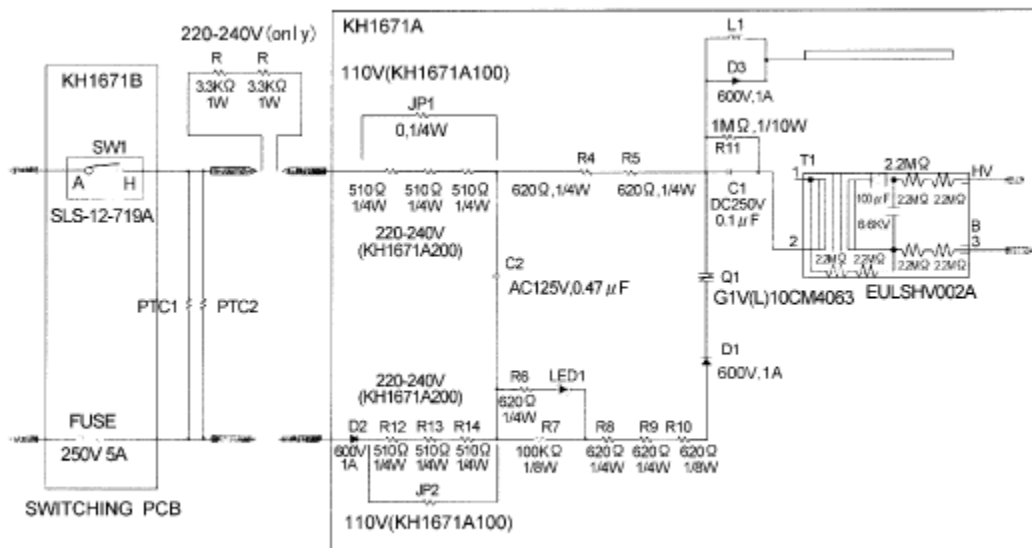
This service information is designed for experienced repair technicians only and is not designed for use by the general public. It does not contain warnings or cautions to advise non-technical individuals of potential dangers in attempting to service a product. Products powered by electricity should be serviced or repaired only by experienced professional technicians. Any attempt to service or repair the product or products dealt with in this service information by anyone else could result in serious injury or death.

Panasonic

[TOP](#) [NEXT](#)

1 SCHEMATIC DIAGRAM

[TOP](#) [PREVIOUS](#) [NEXT](#)

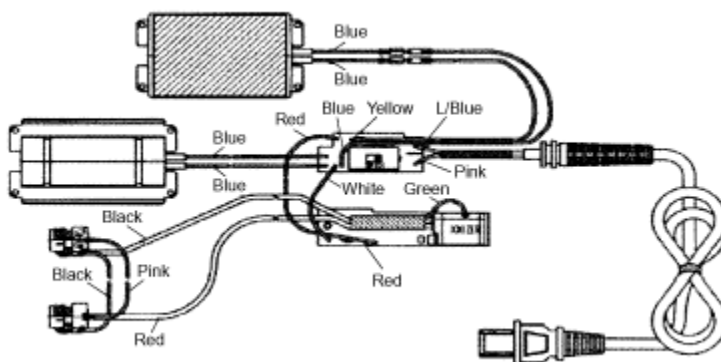


[TOP](#) [PREVIOUS](#) [NEXT](#)

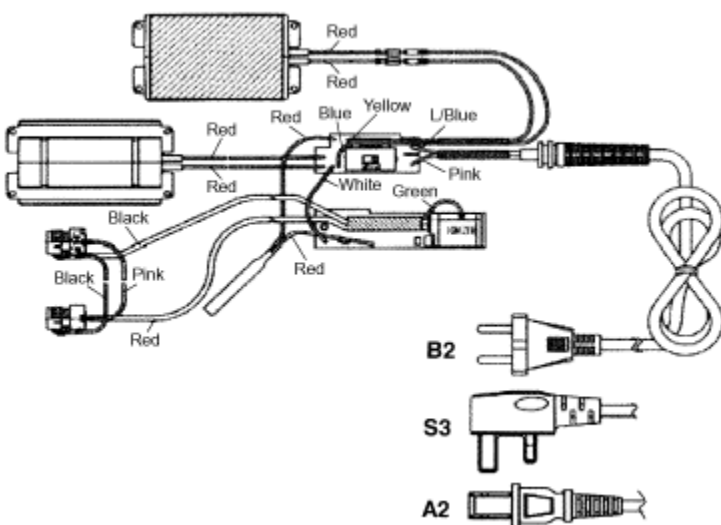
2 WIRING CONNECTION DIAGRAM

[TOP](#) [PREVIOUS](#) [NEXT](#)

< For TAIWAN only >



< For OTHERS >



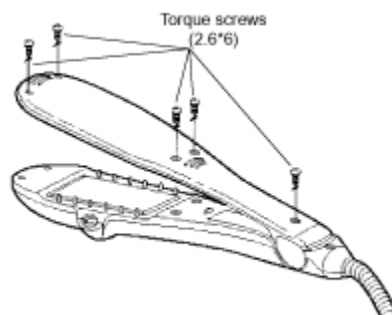
[TOP](#) [PREVIOUS](#) [NEXT](#)

3 DISASSEMBLY INSTRUCTIONS

[TOP](#) [PREVIOUS](#) [NEXT](#)

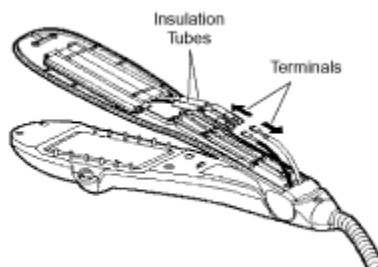
1. Remove the 5 torque screws from the press plate cover by using a torque head driver as shown in [Figure 1](#) .

Figure 1



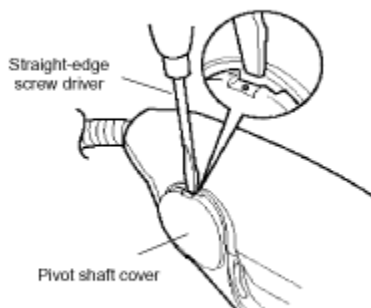
2. Slide 2 insulation tubes (Black) to upper side and take out 2 terminals as shown in [Figure 2](#) .

Figure 2



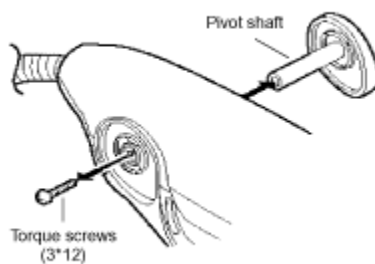
3. Remove the pivot shaft cover by using a straight-edge screw driver as shown in [Figure 3](#) .

Figure 3



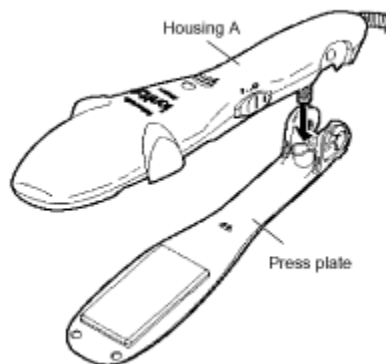
4. Remove a torque screw and the pivot shaft from housing as shown in [Figure 4](#) .

Figure 4



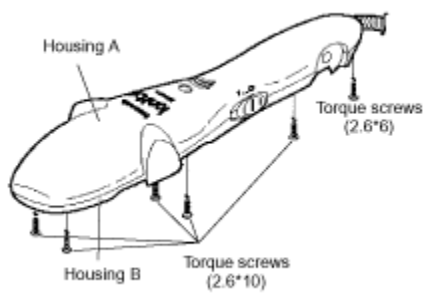
5. Take off the press plate from the housing A as shown in [Figure 5](#) .

Figure 5



6. Remove 6 torque screws fastened the housing B from the housing A as shown in [Figure 6](#) .

Figure 6



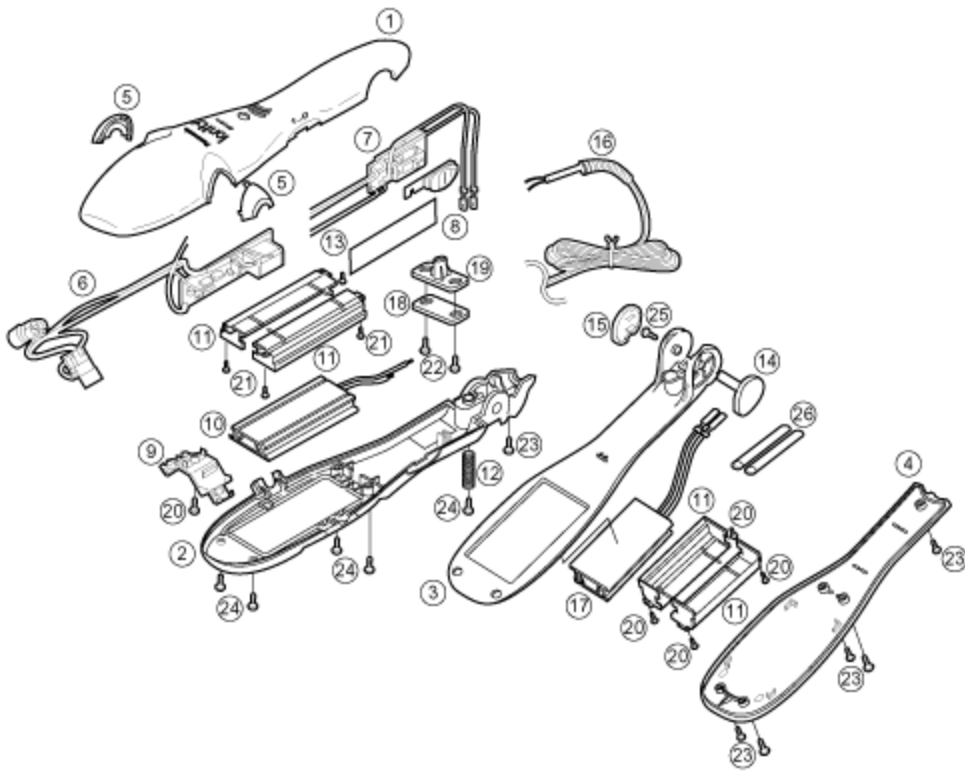
[TOP](#) [PREVIOUS](#) [NEXT](#)

4 TROUBLESHOOTING GUIDE

[TOP](#) [PREVIOUS](#) [NEXT](#)

NOTE: Refer to [WIRING CONNECTION DIAGRAM](#) .

< TROUBLE >	< CHECK >	< REMEDY >
Product does not work.	<CHECK THE POWER CORD>	NO Replace the power cord.
*LED does not light.	→ Check the continuity of the power cord.	→
*Iron plate does not hot.		
*No nagative ion.	↓ OK	
	<CHECK THE MAIN SWITCH>	NO Replace the switch PC board.
	Check operation mode of the switch.	→
LED does not light even though the iron plate hot up	<CHECK THE SWITCH PC BOARD>	NO Replace the switch PC board.
→		→
and negative ion emittes.		
Iron plate does not hot.	<CHECK THE IRON PLATE>	NO Replace the iron plate.
even though the LED lights up	→ Check the resistance of lead wires connected to the iron plate.	→
→		
and negative ion emittes.	The value must be 300 to 1500 Ω.	
	↓ OK	



6 REPLACEMENT PARTS LIST

[TOP](#) [PREVIOUS](#)

NOTES: All parts are supplied from MEW-THAILAND.

Remarks: *1 = Available individually

Ref.No.	Part No.	Part Name & Descriptions	Remarks	Per Unit
1	EH1671HSAVW	HOUSING A ASS'Y (VIOLET)		1
2	EH1671HSB11W	HOUSING B ASS'Y	110V	1
2	EH1671HSB22W	HOUSING B ASS'Y	220-240V	1
2	EH1671HSB7W	HOUSING B ASS'Y	KOREA	1
3	EH1671PPVW	PRESS PLATE (VIOLET)		1
4	EH1671PPCVW	PRESS PLATE COVER (VIOLET)		1
5	EH1671HCLW	HOUSING COVER (BLUE)	*1	2
6	EH1671CC11W	CIRCUIT ASS'Y	110V	1
6	EH1671CC22W	CIRCUIT ASS'Y	220-240V	1
7	EH1671SWPCBW	SWITCHING PCB ASS'Y		1
8	EH1671SPVW	SWITCH PLATE (VIOLET)		1
9	EH1671DEFPW	DISCHARGE ELECTRODE FIXING PLATE		1
10	EH1671IPA11W	IRON PLATE ASS'Y	110V	1
10	EH1671IPA22W	IRON PLATE ASS'Y	220-240V	1
11	EH1671IPHVW	IRON PLATE HOLDER (VIOLET)	*1	4
12	EH1671PSW	PIVOT SPRING		1
13	EH1671ISW	INSULATION SHEET		1
14	EH1671PSVW	PIVOT SHAFT(VIOLET)		1
15	EH1671PSCVW	PIVOT SHAFT COVER (VIOLET)		1
16	EH1671PCA2W	POWER CORD ASS'Y	A2-PLUG TW/PH	1
16	EH1671PCB2W	POWER CORD ASS'Y	B2-PLUG KR/MNE	1
16	EH1671PCS3W	POWER CORD ASS'Y	S3-PLUG SP/HK	1
17	EH1671IPB11W	IRON PLATE ASS'Y WITH TERMINAL	110V	1
17	EH1671IPB22W	IRON PLATE ASS'Y WITH TERMINAL	220-240V	1
18	EH1671PCRW	POWER CORD RETAINER (CLEAR)		1
19	EH1671PCRWW	POWER CORD RETAINER B (WHITE)		1
20	EH16712660W	TAPPING SCREW 2.6*6	*1	5

21	EH16712610SW	TAPPING SCREW 2.6*10 ,SILVER	*1		4
22	EH16713010W	TAPPING SCREW 3*10	*1		2
23	EH16712606W	TAPPING SCREW 2.6*6	*1		6
24	EH16712610BW	TAPPING SCREW 2.6*10 ,BLACK	*1		5
25	EH16713012W	TAPPING SCREW 3*12			1
26	EH1671ITW	INSULATION TUBE	*1		2
-	EH1671S01W	INDIVIDUAL PACKAGE			1
-	EH1671S09W	FILLER FOR PACKAGE			1
-	EH1671S03W	INSTRUCTION BOOKLET			1

[TOP](#) [PREVIOUS](#)