

Service Manual

(Household) Multi-Styling Straightener

Model No. **EH-HW58**

Model No. **EH-HW38**

Model No. **EH-HW18**

Asia



⚠ WARNING

This service information is designed for experienced repair technicians only and is not designed for use by the general public. It does not contain warnings or cautions to advise non-technical individuals of potential dangers in attempting to service a product. Products powered by electricity should be serviced or repaired only by experienced professional technicians. Any attempt to service or repair the product or products dealt with in this service information by anyone else could result in serious injury or death.

IMPORTANT SAFETY NOTICE

There are special components used in this equipment which are important for safety. These parts are marked by ⚠ in the Schematic Diagrams, Circuit Board Diagrams, Exploded Views and Replacement Parts List. It is essential that these critical parts should be replaced with manufacturer's specified parts to prevent shock, fire or other hazards. Do not modify the original design without permission of manufacturer.

TABLE OF CONTENTS

	PAGE		PAGE
1 Warning -----	2	7 Exploded View and Replacement Parts List -----	11
2 Specifications -----	2	7.1. Exploded View for EH-HW58-----	11
3 Troubleshooting Guide -----	3	7.2. Parts List for EH-HW58-----	12
4 Disassembly and Assembly Instructions -----	5	7.3. Exploded View for EH-HW38-----	13
4.1. Disassembly instruction-----	5	7.4. Parts List for EH-HW38-----	14
4.2. ASSEMBLY instruction-----	8	7.5. Exploded View for EH-HW18-----	15
4.3. Lead wire of Iron Plate (Heater A , Heater B) and Circuit arrangement points.-----	9	7.6. Parts List for EH-HW18-----	16
5 Wiring Connection Diagram -----	10		
6 Schematic Diagram -----	10		

Panasonic®

© Panasonic Corporation 2012 Unauthorized copying and distribution is a violation of law.

1 Warning

Caution:

- Pb free solder has a higher melting point than standard solder. Typically the melting point is 50 - 70°F (30 - 40°C) or higher. Please use soldering iron with temperature control and adjust it to 750 ± 20°F (400 ± 10°C).
- In case of using high temperature soldering iron, please be careful not to heat too long.
- Pb free solder will tend to splash when heated too high (about 1100°F / 600°C).

2 Specifications

Model		EH-HW58	EH-HW38	EH-HW18
Sales Area		Asia		
Power source / Power consumption		AC 100-130V ~ 50-60Hz 41W (Max.400W) AC 220-240V ~ 50-60Hz 43W (Max.400W)		
Iron Plate temperature		150-170-180-190-200°C (5 level settings)		
Body size (mm.)		Without Attachment 287 × 42 × 45		
Weight	S3 Plug(SF629) Without Attachment	421 g		
	B2 Plug(SF82) Without Attachment	370 g		
	B2 Plug(SF822) Without Attachment	365 g		
	A2 Plug(LM-201-9) Without Attachment	360 g		
	MEDIUM CURL	28 g		
	LARGE CURL	29 g		—
	EXTRA LARGE CURL	33 g	—	—
	STRAIGHTENER	31 g		—
	VOLUMIZER	32 g	—	—
Cord length	S3(SF629) Plug	2.0 m		
	B2(SF82) Plug	2.0 m		
	B2(SF822) Plug	2.0 m		
	A2(LM-201-9) Plug	2.0 m		

3 Troubleshooting Guide

Refer to WIRING CONNECTION DIAGRAM.

<CHECKING PROCEDURE>

<CHECKING METHOD>

<REMEDY>

**No operation
(LED does not light)**

Check the power cord. → Check the conductivity of power cord. (NG) → Replace the Power Cord

OK → Check the power Switch button of the Grip case → Check the operation of On/off Switch button of Grip case. (Check if it works smoothly) (NG) → Replace the Grip case

OK → Check the Power Switch (0/1) → Hold the On/off switch (Tag Switch) pressed longer and check if LED (Power Lamp) lights. LED at * 150°C will start blinking (LED will turn from BLINK to LIGHT after round one minute). (NG) → Replace Circuit assembly b/k

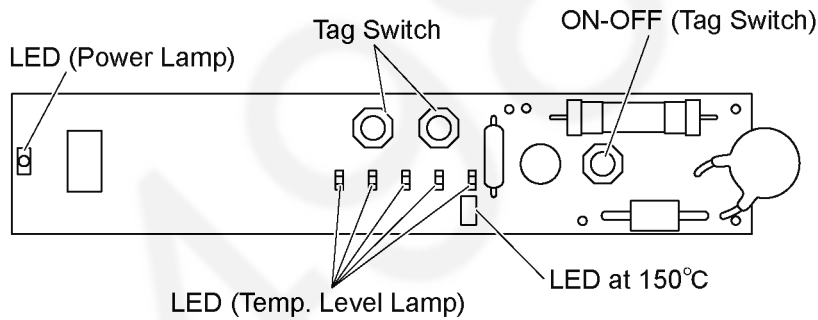


Figure1

OK → Check Circuit assembly b/k → (NG) → Replace Circuit assembly b/k

OK → LED dose not light, Iron Plate(Heater A,B) becomes hot → (NG) → Replace Circuit assembly b/k

LED light, but Iron Plate(Heater) does not become hot

Check Iron plate of Heater A : Grip side → Check if resistance value between lead wires of the Grip side assy is approx. 200~600Ω (NG) → Replace Heater A ass'y b/k

OK → Check Iron plate of Heater B : Press plate side → Check if resistance value between lead wires of the Press plate side assy is approx. 200~600Ω (NG) → Replace Heater B ass'y b/k

OK → Check the Lead Wire → Check connecting of Lead Wire (NG) → Replace Heater A ass'y b/k or Heater B ass'y b/k

<CHECKING PROCEDURE>

<CHECKING METHOD>

<REMEDY>

All LEDs blinks.

Check Heater A : Grip side

Check connecting of Thermistor

NG

Replace Heater A : Grip side

LED lights, but the Iron plate (Heater A,B) dose not become hot.

Check Circuit assembly b/k

NG

Replace Circuit assembly b/k

Temperature dose not change even though the Temperature level adjustment switches is pressed.

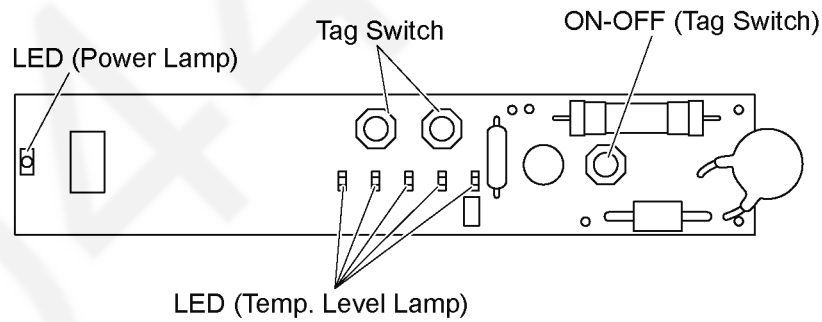
Check the Temperature level Adjustment Switch (Tag Switch)

Check the operation of LED(Temp. Level Lamp) by pressing Tag switch of the Temperature level adjustment switch on Circuit assembly b/k longer with fingers (Figure2)

NG

Replace Circuit assembly b/k

OK



Check Circuit assembly b/k

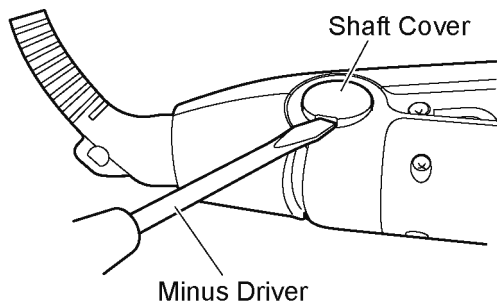
NG

Replace Circuit assembly b/k

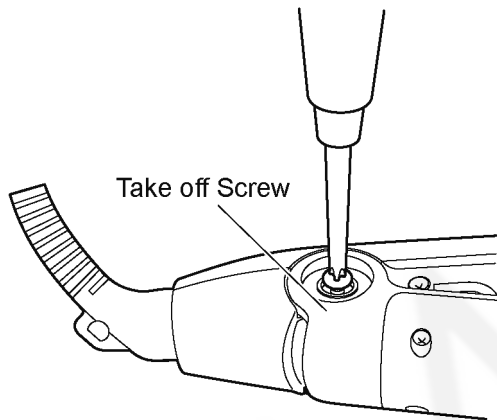
4 Disassembly and Assembly Instructions

4.1. Disassembly instruction

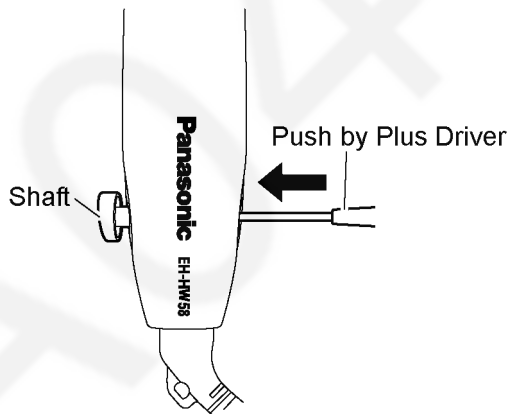
1. Remove Shaft Cover from Main Body by Slotted screw driver (Minus Driver.)



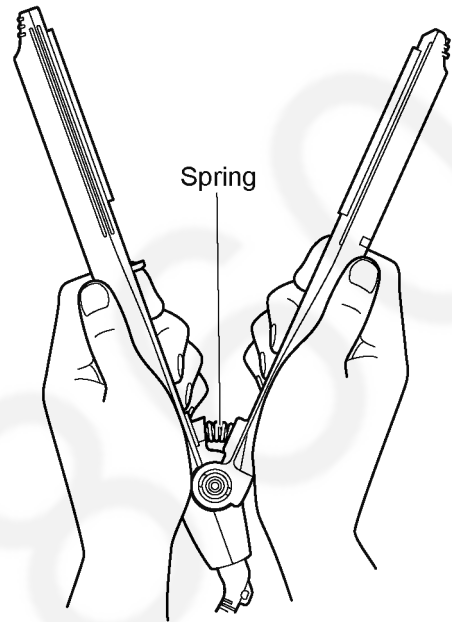
2. Remove Torx screws at Shaft position by Phillips screw driver (Plus driver).



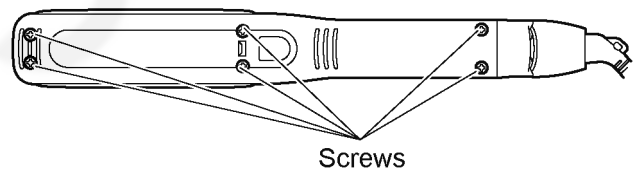
3. Remove Shaft out by tiny-shaped Phillips screw drivers (Plus Driver) and pull it out from the main body.



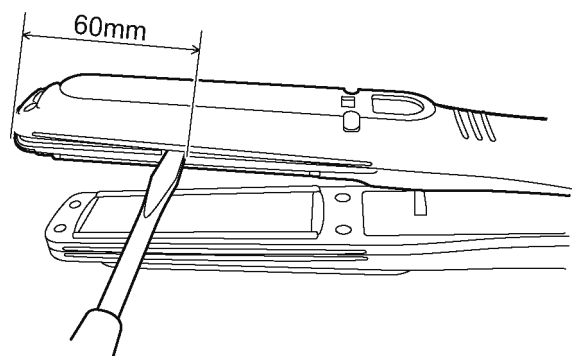
4. Remove Pivot spring by gripping and pulling it out from the Main body.



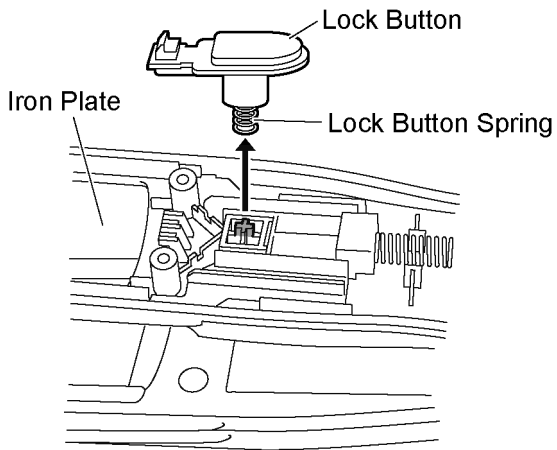
5. Remove 6 screws for fitting Press Plate side by Phillips screw drivers (Plus Driver).



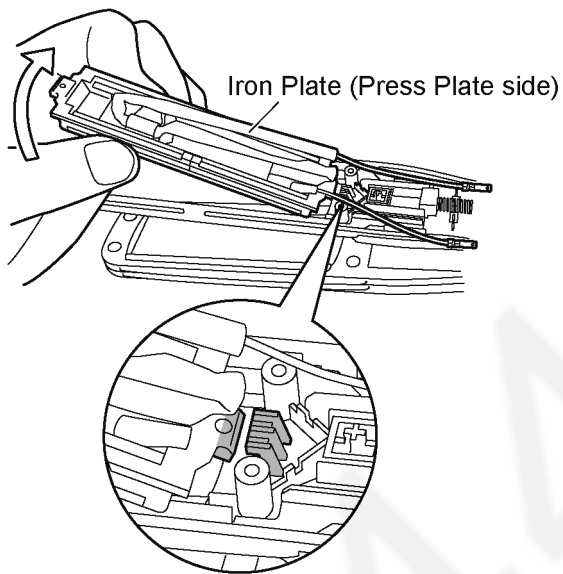
6. Remove Press Plate Cover at the Hook part by Slotted screw driver (Minus Driver).



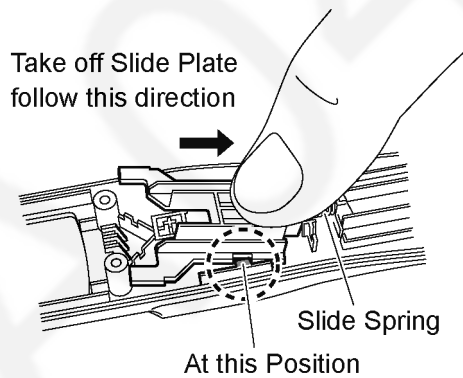
7. Remove Lock Button and Lock Button Spring.



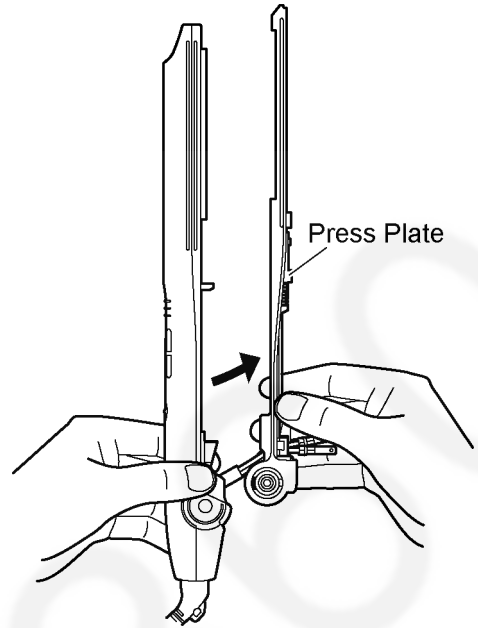
8. Remove Iron Plate of Heater B from Hook.



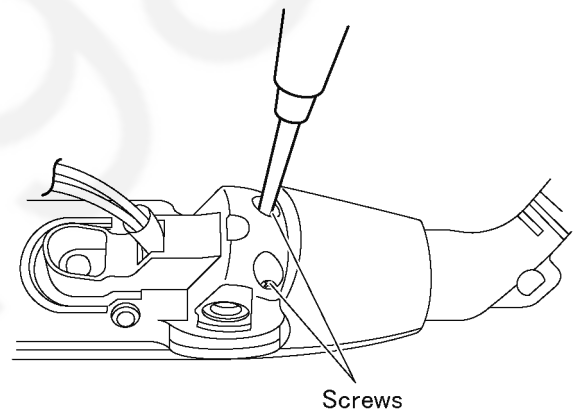
9. Remove Slide Plate and Slide Spring.



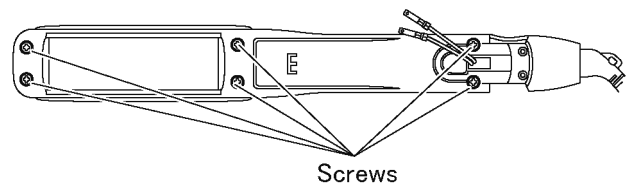
10. Take off Press Plate.



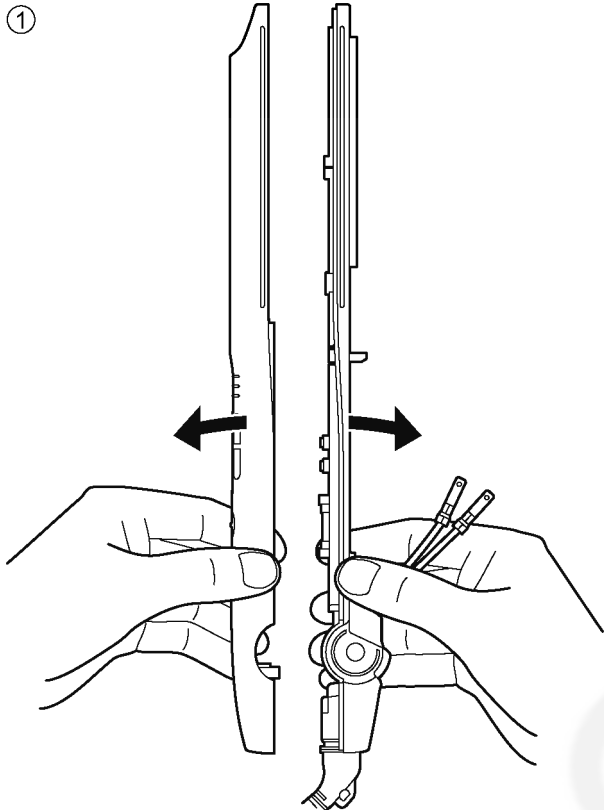
11. Remove 2 screws of the Housing side by Phillips screw driver (Plus Driver).



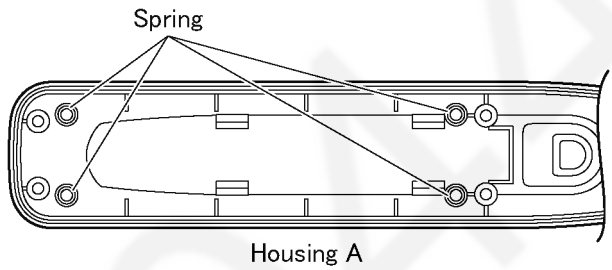
12. Remove 6 Screws by Phillips screw driver (Plus Driver).



13. Remove Housing A from Housing B in Grip follow as below drawing.



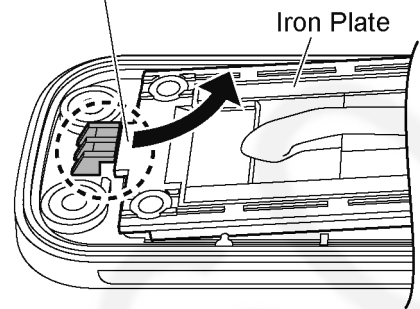
② When Remove Housing A,
Beacareful 4 Springs disappear.



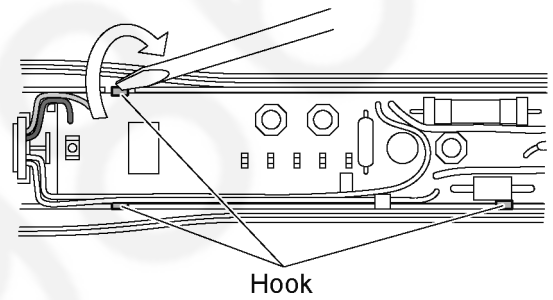
14. Take off Iron Plate and Circuit assembly b/k from Housing A.

① Take off Iron Plate from Hook of Housing A.

Slide and Take off Iron Plate from Hook



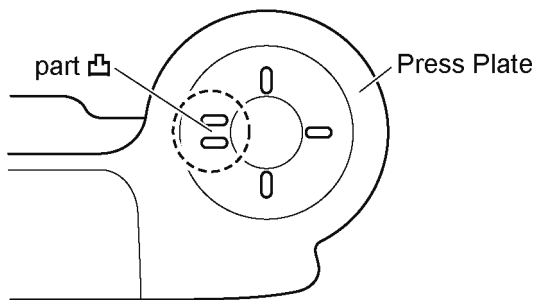
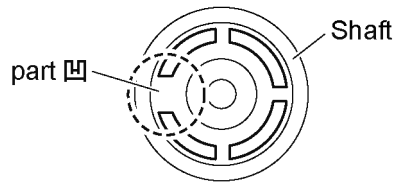
② Take off Circuit by push at Hook of Housing A.



4.2. ASSEMBLY instruction

1. Shaft Cover fixing point.

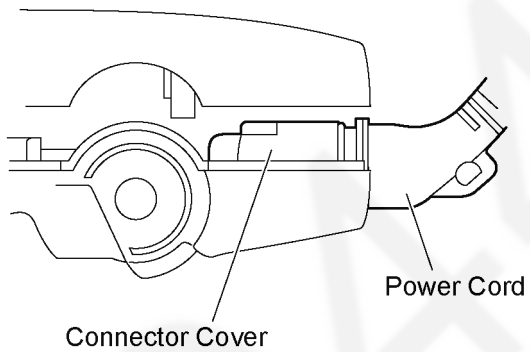
- Have Control direction.
part ㊦ and part ㊧ must be same direction.



2. Housing B Assembly Point.

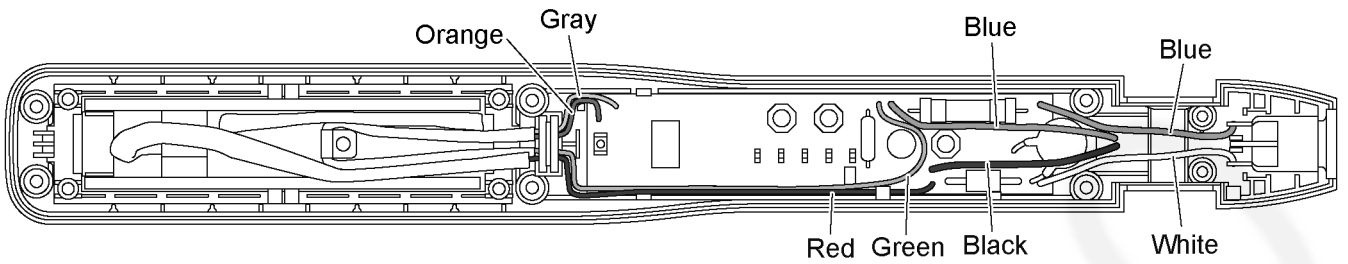
- When in sert Power cord must be surely assembly in Connector Cover follow as below.

(Should be apply Foil at Connector of Power Cord)

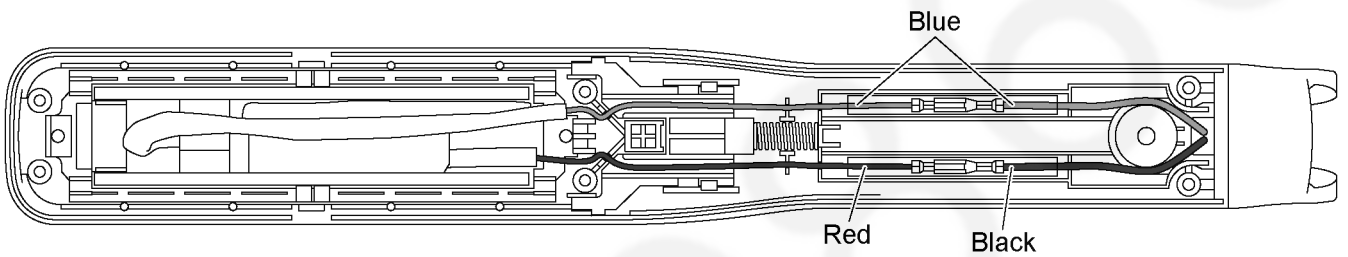


4.3. Lead wire of Iron Plate (Heater A , Heater B) and Circuit arrangement points.

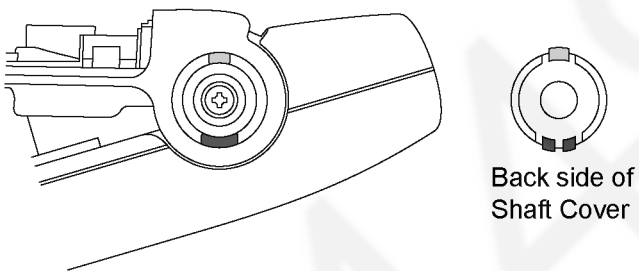
1. Lead wire of Iron Plate (Heater A assembly b/k) and Circuit assembly b/k arrangement follow as below.



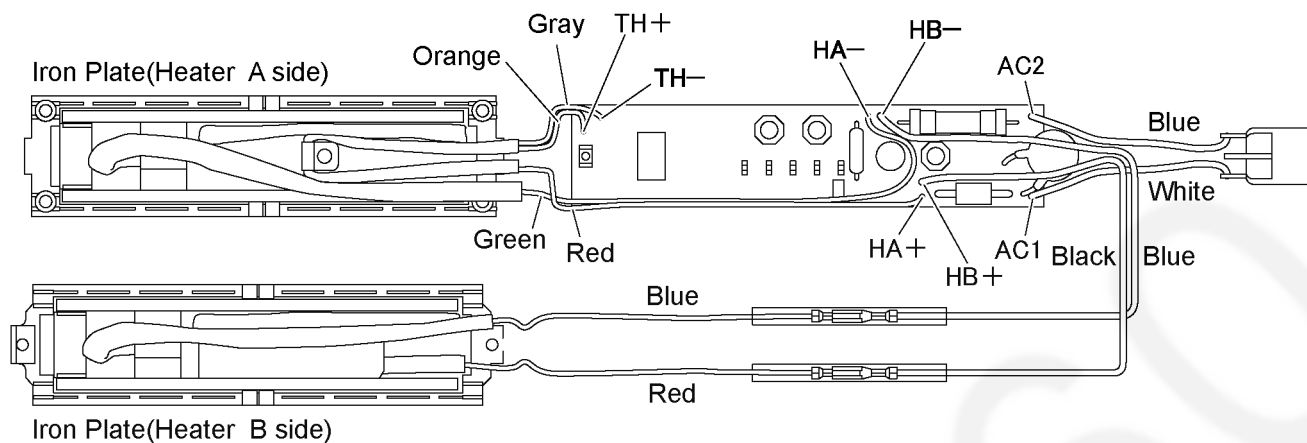
2. Lead wire of Iron Plate(Heater B assembly b/k) arrangement follow as below.



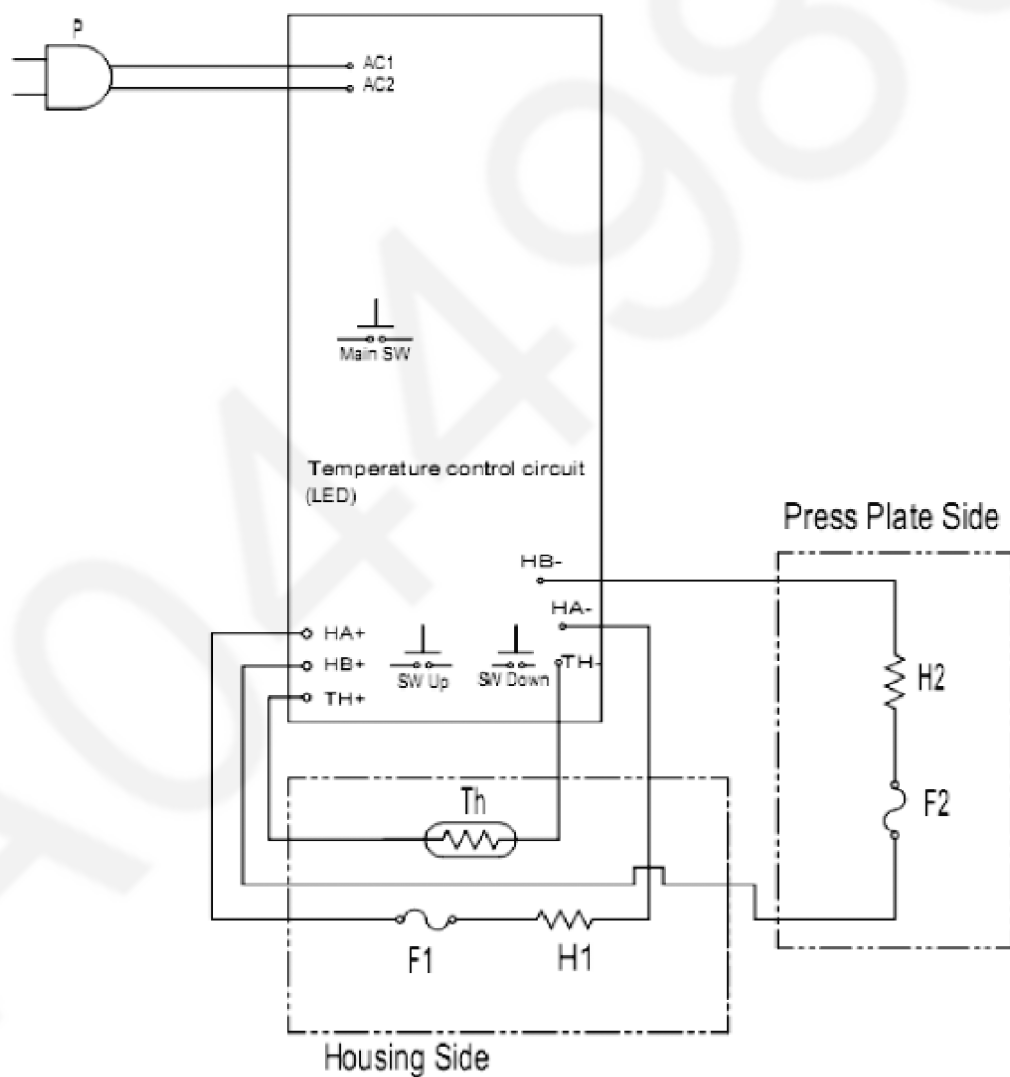
3. Shaft Cover must be control direction follow as below.



5 Wiring Connection Diagram

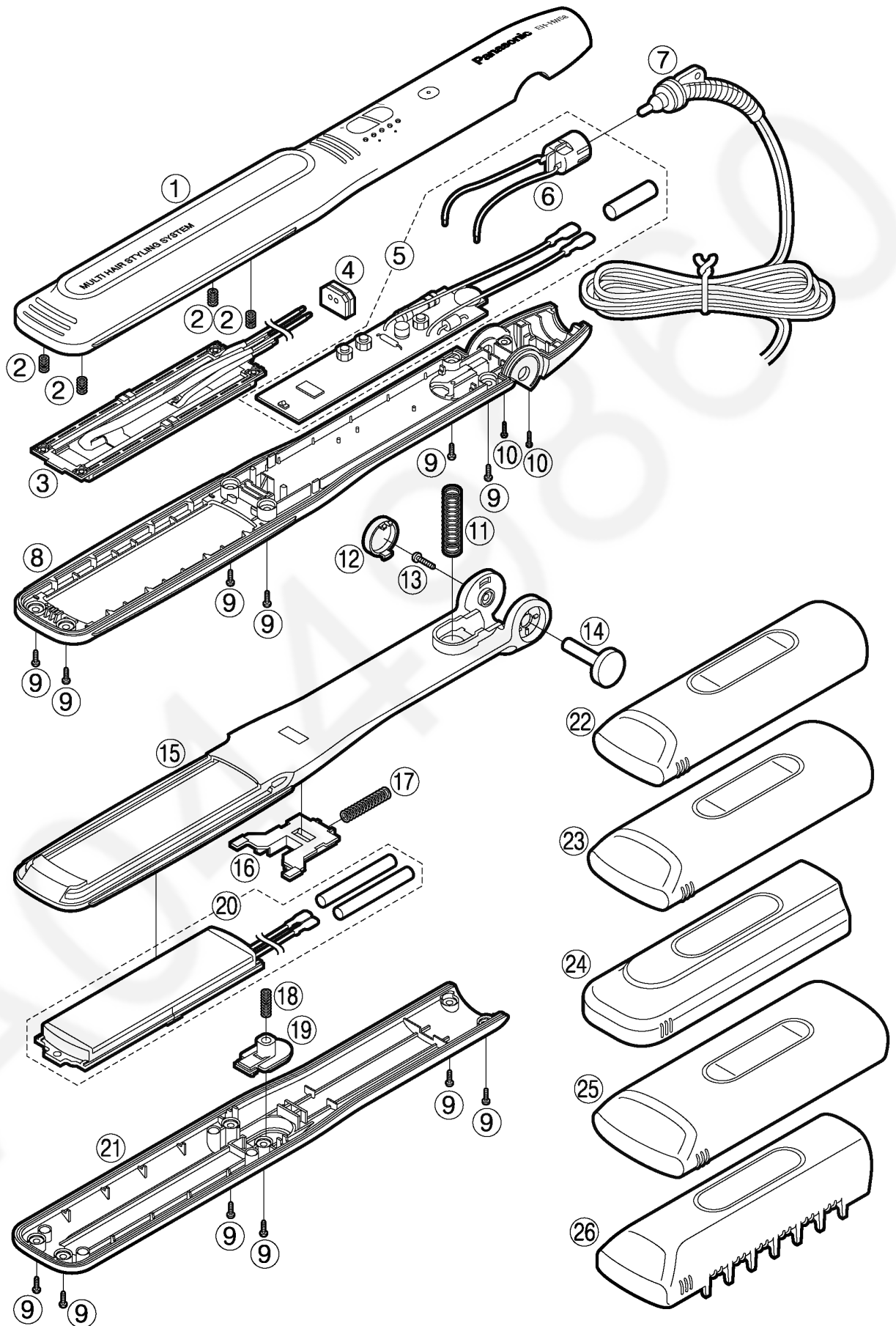


6 Schematic Diagram



7 Exploded View and Replacement Parts List

7.1. Exploded View for EH-HW58



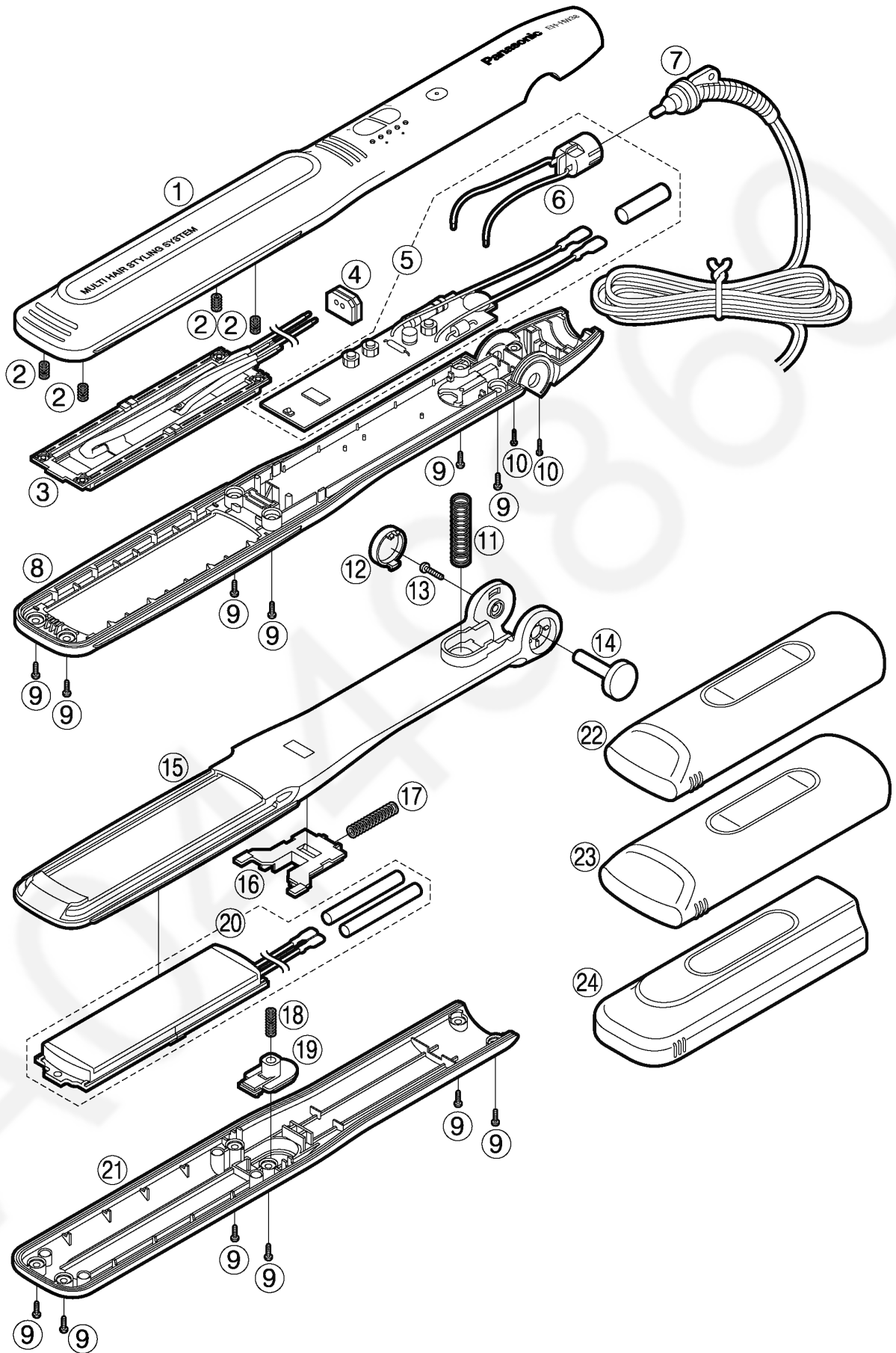
All parts are supplied from PMFTH-AP through PLAP

7.2. Parts List for EH-HW58

Safety	Ref. No.	Part No.	Part Name & Description	Q'ty	Remarks
	1	EHHW58HSABW	HOUSING A BLOCK (BLACK)	1	
	2	EHHW58FSW	FLOATING SPRING	4	*1
	3	EHHW58HABW	HEATER A ASSEMBLY BLOCK	1	
	4	EHHW58PKW	PACKING	1	
	5	EHHW58CCA	CIRCUIT ASSEMBLY BLOCK	1	(INCLUDE 1 INSULATION TUBE, CONNECTOR COVER BLOCK)
	6	EHHW58CTBW	CONNECTOR COVER BLOCK	1	
	7	EHHW58PCA2BW	POWER CORD (BLACK)	1	(A2-PLUG)
	7	EHHW58PCB2BW	POWER CORD (BLACK)	1	(B2-PLUG)
	7	EHHW58PCS3BW	POWER CORD (BLACK)	1	(S3-PLUG)
	8	EHHW58HS13BW	HOUSING B (BLACK)	1	(FOR TAIWAN)
	8	EHHW58HSBBW	HOUSING B (BLACK)	1	(FOR OTHERS)
	8	EHHW58HS66BW	HOUSING B (BLACK)	1	(FOR SAUDI ARABIA)
	8	EHHW58HS69BW	HOUSING B (BLACK)	1	(FOR KUWAIT / QATAR)
	9	EHHW58T2606W	TAPPING SCREW 2.6*6 (BLACK)	12	*1
	10	EHHW58T2060W	TAPPING SCREW 2.0*6 (BLACK)	2	*1
	11	EHHW58PSSW	PIVOT SPRING (SILVER)	1	
	12	EHHW58SCBW	SHAFT COVER (BLACK)	1	
	13	EHHW58T3012W	TORX SCREW 3.0*12 (BLACK)	1	
	14	EHHW58SHBW	SHAFT (BLACK)	1	
	15	EHHW58PPBW	PRESS PLATE (BLACK)	1	
	16	EHHW58SPBW	SLIDE PLATE (BLACK)	1	
	17	EHHW58SSW	SLIDE SPRING	1	
	18	EHHW58LBSW	LOCK BUTTON SPRING	1	
	19	EHHW58LBBW	LOCK BUTTON (BLACK)	1	
	20	EHHW58HBBW	HEATER B ASSEMBLY BLOCK	1	(INCLUDE 2 INSULATION TUBES)
	21	EHHW58PPC1BW	PRESS PLATE COVER (BLACK)	1	(FOR TAIWAN, INCLUDE 1 ALUMINUM SEAL)
	21	EHHW58PPCBW	PRESS PLATE COVER (BLACK)	1	(FOR OTHERS, INCLUDE 1 ALUMINUM SEAL)
	22	EHHW58C26BW	MEDIUM CURL (BLACK)	1	
	23	EHHW58C32BW	LARGE CURL (BLACK)	1	
	24	EHHW58STBW	STRAIGHTENER (BLACK)	1	
	25	EHHW58C38BW	EXTRA LARGE CUR (BLACK)	1	
	26	EHHW58VLBW	VOLUMIZER (BLACK)	1	
	-	EHHW58S135KW	INDIVIDUAL PACKAGE	1	(EH-HW58-K135 : TAIWAN)
	-	EHHW58S615KW	INDIVIDUAL PACKAGE	1	(EH-HW58-K615 : OMAN)
	-	EHHW58S655KW	INDIVIDUAL PACKAGE	1	(EH-HW58-K655 : MALAYSIA)
	-	EHHW58S665KW	INDIVIDUAL PACKAGE	1	(EH-HW58-K665 : SAUDI ARABIA)
	-	EHHW58S685KW	INDIVIDUAL PACKAGE	1	(EH-HW58-K685 : HONG KONG / UAE / SINGAPORE)
	-	EHHW58S695KW	INDIVIDUAL PACKAGE	1	(EH-HW58-K695 : KUWAIT, QATAR)
	-	EHHW58S03UW	OPERATING INSTRUCTIONS	1	
	-	EHHW58S09W	PULP FILLER	1	
	-	EHHW58S04UW	EASY MANUAL	1	

Remarks : *1 Individual Available

7.3. Exploded View for EH-HW38



All parts are supplied from PMFTH-AP through PLAP

7.4. Parts List for EH-HW38

Safety	Ref. No.	Part No.	Part Name & Description	Q'ty	Remarks
	1	EHHW38HSABW	HOUSING A BLOCK (BLACK)	1	
	2	EHHW38FSW	FLOATING SPRING	4	*1
	3	EHHW38HABW	HEATER A ASSEMBLY BLOCK	1	
	4	EHHW38PKW	PACKING	1	
	5	EHHW38CCA	CIRCUIT ASSEMBLY BLOCK	1	(INCLUDE 1 INSULATION TUBE, CONNECTOR COVER BLOCK)
	6	EHHW38CTBW	CONNECTOR COVER BLOCK	1	
	7	EHHW38PCA2BW	POWER CORD (BLACK)	1	(A2-PLUG)
	7	EHHW38PCB2BW	POWER CORD (BLACK)	1	(B2-PLUG)
	7	EHHW38PCS3BW	POWER CORD (BLACK)	1	(S3-PLUG)
	8	EHHW38HS13BW	HOUSING B (BLACK)	1	(FOR TAIWAN)
	8	EHHW38HSBBW	HOUSING B (BLACK)	1	(FOR OTHERS)
	8	EHHW38HS66BW	HOUSING B (BLACK)	1	(FOR SAUDI ARABIA)
	8	EHHW38HS69BW	HOUSING B (BLACK)	1	(FOR KUWAIT / QATAR)
	9	EHHW38T2606W	TAPPING SCREW 2.6*6 (BLACK)	12	*1
	10	EHHW38T2060W	TAPPING SCREW 2.0*6 (BLACK)	2	*1
	11	EHHW38PSSW	PIVOT SPRING (SILVER)	1	
	12	EHHW38SCBW	SHAFT COVER (BLACK)	1	
	13	EHHW38T3012W	TORX SCREW 3.0*12 (BLACK)	1	
	14	EHHW38SHBW	SHAFT (BLACK)	1	
	15	EHHW38PPBW	PRESS PLATE (BLACK)	1	
	16	EHHW38SPBW	SLIDE PLATE (BLACK)	1	
	17	EHHW38SSW	SLIDE SPRING	1	
	18	EHHW38LBSW	LOCK BUTTON SPRING	1	
	19	EHHW38LBBW	LOCK BUTTON (BLACK)	1	
	20	EHHW38HBBW	HEATER B ASSEMBLY BLOCK	1	(INCLUDE 2 INSULATION TUBES)
	21	EHHW38PPC1BW	PRESS PLATE COVER (BLACK)	1	(FOR TAIWAN, INCLUDE 1 ALUMINUM SEAL)
	21	EHHW38PPCBW	PRESS PLATE COVER (BLACK)	1	(FOR OTHERS, INCLUDE 1 ALUMINUM SEAL)
	22	EHHW38C26BW	MEDIUM CURL (BLACK)	1	
	23	EHHW38C32BW	LARGE CURL (BLACK)	1	
	24	EHHW38STBW	STRAIGHTENER (BLACK)	1	
	-	EHHW38S135KW	INDIVIDUAL PACKAGE	1	(EH-HW38-K135 : TAIWAN)
	-	EHHW38S615KW	INDIVIDUAL PACKAGE	1	(EH-HW38-K615 : OMAN)
	-	EHHW38S665KW	INDIVIDUAL PACKAGE	1	(EH-HW38-K665 : SAUDI ARABIA)
	-	EHHW38S685KW	INDIVIDUAL PACKAGE	1	(EH-HW38-K685 : HONG KONG / UAE / SINGAPORE)
	-	EHHW38S695KW	INDIVIDUAL PACKAGE	1	(EH-HW38-K695 : KUWAIT, QATAR)
	-	EHHW38S03UW	OPERATING INSTRUCTIONS	1	
	-	EHHW38S09W	PULP FILLER	1	
	-	EHHW38S04UW	EASY MANUAL	1	

Remarks : *1 Individual Available

7.6. Parts List for EH-HW18

Safety	Ref. No.	Part No.	Part Name & Description	Q'ty	Remarks
	1	EHHW18HSABW	HOUSING A BLOCK (BLACK)	1	
	2	EHHW18FSW	FLOATING SPRING	4	*1
	3	EHHW18HABW	HEATER A ASSEMBLY BLOCK	1	
	4	EHHW18PKW	PACKING	1	
	5	EHHW18CCA	CIRCUIT ASSEMBLY BLOCK	1	(INCLUDE 1 INSULATION TUBE, CONNECTOR COVER BLOCK)
	6	EHHW18CTBW	CONNECTOR COVER BLOCK	1	
	7	EHHW18PCA2BW	POWER CORD (BLACK)	1	(A2-PLUG)
	7	EHHW18PCB2BW	POWER CORD (BLACK)	1	(B2-PLUG)
	7	EHHW18PCS3BW	POWER CORD (BLACK)	1	(S3-PLUG)
	8	EHHW18HS13BW	HOUSING B (BLACK)	1	(FOR TAIWAN)
	8	EHHW18HSBBW	HOUSING B (BLACK)	1	(FOR OTHERS)
	8	EHHW18HS64BW	HOUSING B (BLACK)	1	(FOR VIETNAM)
	8	EHHW18HS66BW	HOUSING B (BLACK)	1	(FOR SAUDI ARABIA)
	8	EHHW18HS69BW	HOUSING B (BLACK)	1	(FOR KUWAIT / QATAR)
	9	EHHW18T2066W	TAPPING SCREW 2.6*6 (BLACK)	12	*1
	10	EHHW18T2060W	TAPPING SCREW 2.0*6 (BLACK)	2	*1
	11	EHHW18PSSW	PIVOT SPRING (SILVER)	1	
	12	EHHW18SCBW	SHAFT COVER (BLACK)	1	
	13	EHHW18T3012W	TORX SCREW 3.0*12 (BLACK)	1	
	14	EHHW18SHBW	SHAFT (BLACK)	1	
	15	EHHW18PPBW	PRESS PLATE (BLACK)	1	
	16	EHHW18SPBW	SLIDE PLATE (BLACK)	1	
	17	EHHW18SSW	SLIDE SPRING	1	
	18	EHHW18LBSW	LOCK BUTTON SPRING	1	
	19	EHHW18LBBW	LOCK BUTTON (BLACK)	1	
	20	EHHW18HBBW	HEATER B ASSEMBLY BLOCK	1	(INCLUDE 2 INSULATION TUBES)
	21	EHHW18PPC1BW	PRESS PLATE COVER (BLACK)	1	(FOR TAIWAN, INCLUDE 1 ALUMINUM SEAL)
	21	EHHW18PPCBW	PRESS PLATE COVER (BLACK)	1	(FOR OTHERS, INCLUDE 1 ALUMINUM SEAL)
	22	EHHW18C26BW	MEDIUM CURL (BLACK)	1	
	-	EHHW18S135KW	INDIVIDUAL PACKAGE	1	(EH-HW18-K135 : TAIWAN)
	-	EHHW18S615KW	INDIVIDUAL PACKAGE	1	(EH-HW18-K615 : OMAN)
	-	EHHW18S01IKW	INDIVIDUAL PACKAGE	1	(EH-HW18K615I : INDIA)
	-	EHHW18S645KW	INDIVIDUAL PACKAGE	1	(EH-HW18-K645 : VIETNAM)
	-	EHHW18S655KW	INDIVIDUAL PACKAGE	1	(EH-HW18-K655 : MALAYSIA)
	-	EHHW18S665KW	INDIVIDUAL PACKAGE	1	(EH-HW18-K665 : SAUDI ARABIA)
	-	EHHW18S685KW	INDIVIDUAL PACKAGE	1	(EH-HW18-K685 : HONG KONG / UAE / SINGAPORE)
	-	EHHW18S695KW	INDIVIDUAL PACKAGE	1	(EH-HW18-K695 : KUWAIT, QATAR)
	-	EHHW18S03UW	OPERATING INSTRUCTIONS	1	
	-	EHHW18S09W	PULP FILLER	1	
	-	EHHW18S04UW	EASY MANUAL	1	

Remarks : *1 Individual Available