

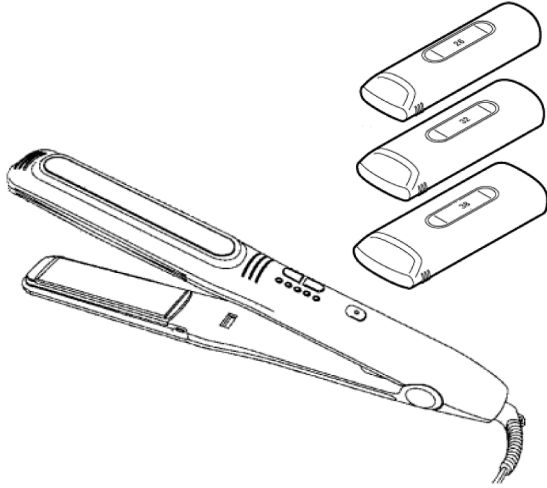
Service Manual

(Household) Multi-styling Straightener

Model No. **EH-HW11**

Model No. **EH-HW32**

CHINA



⚠ WARNING

This service information is designed for experienced repair technicians only and is not designed for use by the general public. It does not contain warnings or cautions to advise non-technical individuals of potential dangers in attempting to service a product. Products powered by electricity should be serviced or repaired only by experienced professional technicians. Any attempt to service or repair the product or products dealt with in this service information by anyone else could result in serious injury or death.

IMPORTANT SAFETY NOTICE

There are special components used in this equipment which are important for safety. These parts are marked by **⚠** in the Schematic Diagrams, Circuit Board Diagrams, Exploded Views and Replacement Parts List. It is essential that these critical parts should be replaced with manufacturer's specified parts to prevent shock, fire or other hazards. Do not modify the original design without permission of manufacturer.

TABLE OF CONTENTS

	PAGE	PAGE
1 Warning.....	2	
2 Specifications	2	
3 Troubleshooting Guide.....	3	
4 Disassembly and Assembly Instructions	5	
5 Wiring Connection Diagram	10	
6 Schematic Diagram.....	10	
7 Exploded View and Replacement Parts List	11	

Panasonic

© Panasonic Corporation 2012 Unauthorized copying and distribution is a violation of law.

1 Warning

Caution:

- Pb free solder has a higher melting point than standard solder; Typically the melting point is 50 - 70°F (30 - 40°C) or higher. Please use a soldering iron with temperature control and adjust it to 750 ± 20°F (400 ± 10°C). In case of using high temperature soldering iron, please be careful not to heat too long.
- Pb free solder will tend to splash when heated too high (about 1100°F / 600°C).

2 Specifications

Model	EH-HW11	EH-HW32
Power source/Power consumption	AC 100-130V 50-60 Hz 37W(Max.400W)	
	AC 220-240V 50-60 Hz 39W(Max.400W)	
Iron Plate Temperature	130 - 170 °C (5 Level adjustable)	
Cord length	A2 Plug 1.7 m	
Weight	A2 = 346 g.	
Attachment	1 type	3 type

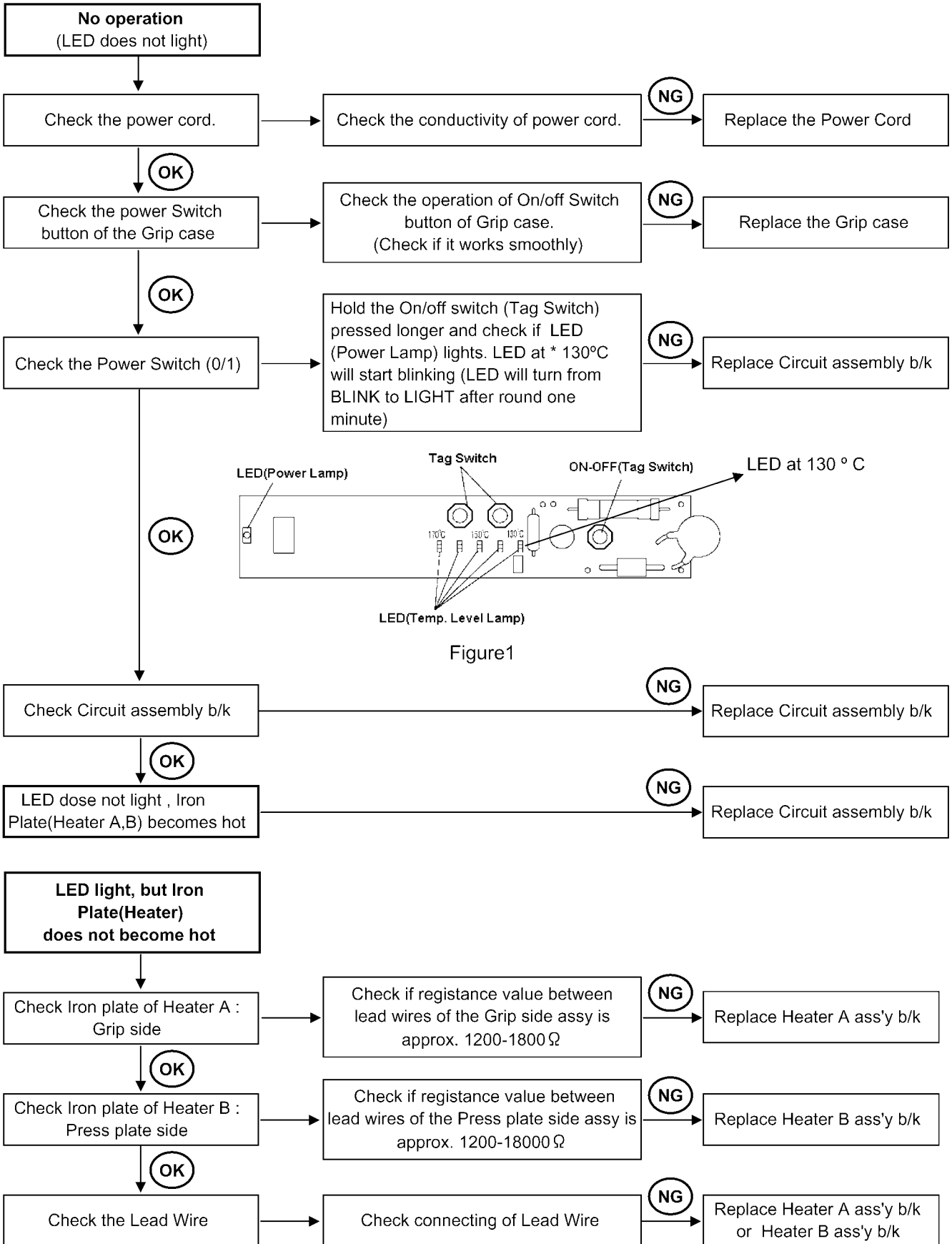
3 Troubleshooting Guide

(Refer to Wiring Connection Diagram)

< CHECKING PROCEDURE >

< CHECKING METHOD >

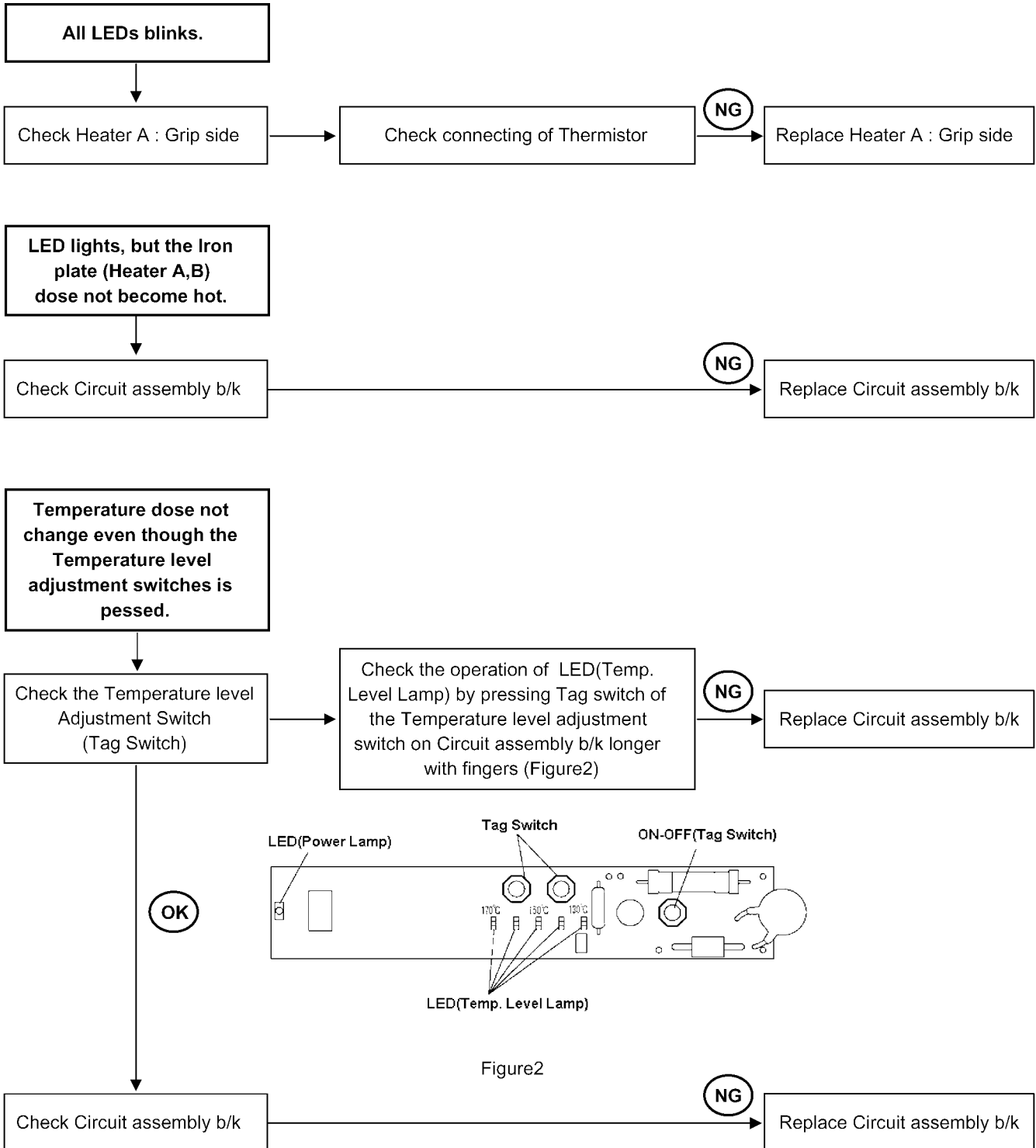
< REMEDY >



< CHECKING PROCEDURE >

< CHECKING METHOD >

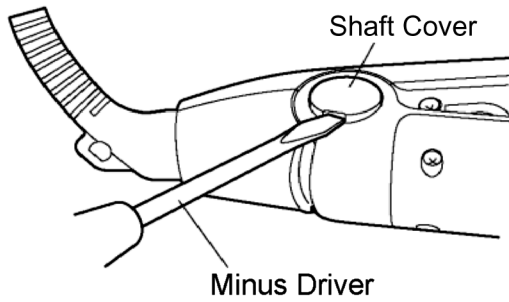
< REMEDY >



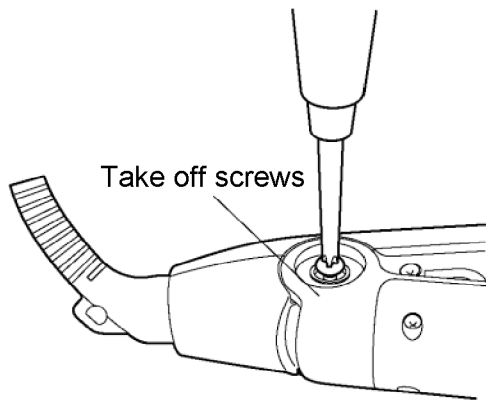
4 Disassembly and Assembly Instructions

4.1. Disassembly Instructions

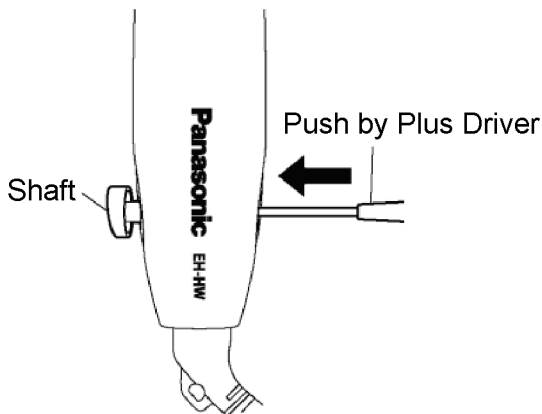
1. Remove Shaft Cover from Main Body by Slotted screw driver(Minus Driver).



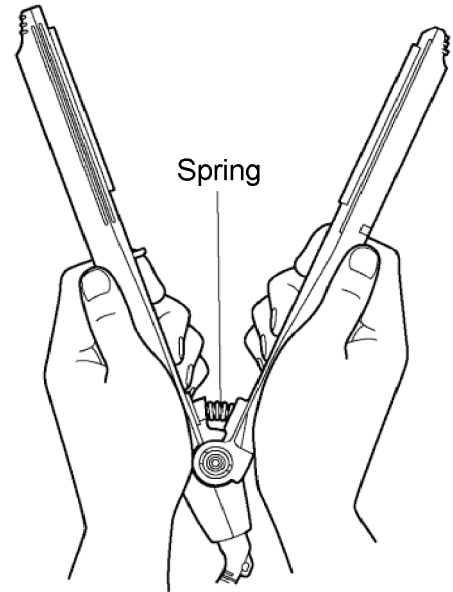
2. Remove Torx screws at Shaft position by Phillips screw driver (Plus Driver).



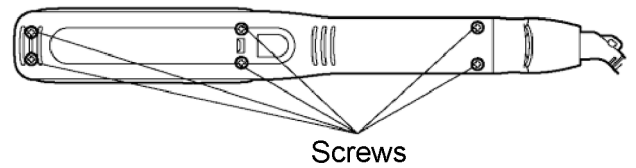
3. Remove Shaft out by tiny-shaped Phillips screw drivers (Plus Driver) and pull it out from the main body.



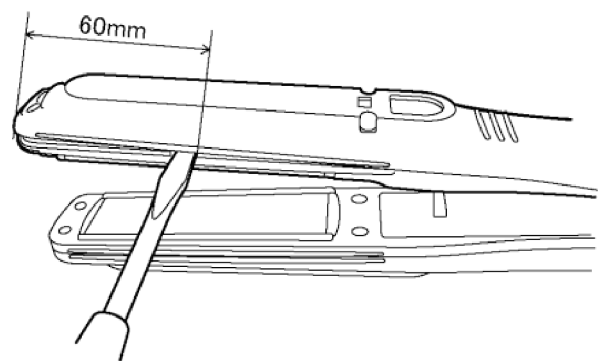
4. Remove Pivot spring by gripping and pulling it out from the Main body.



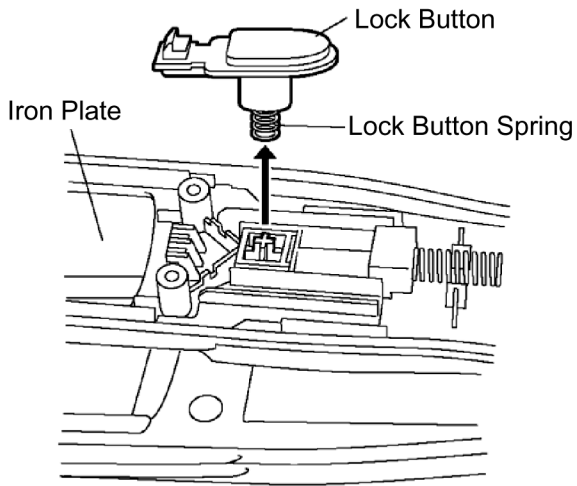
5. Remove 6 screws for fitting Press Plate side by Phillips screw drivers (Plus Driver).



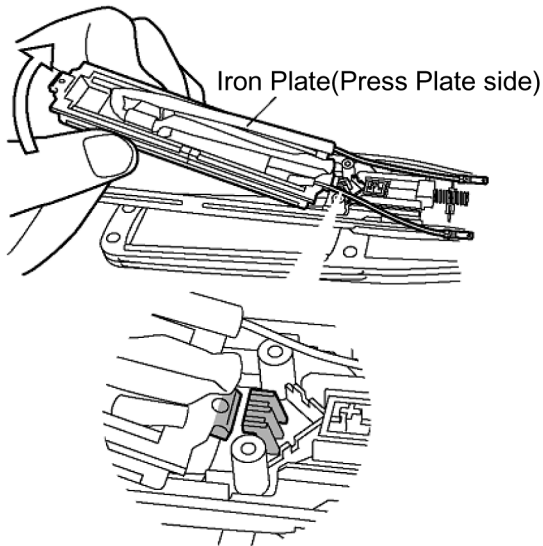
6. Remove Press Plate Cover at the Hook part by Slotted screw driver (Minus Driver).



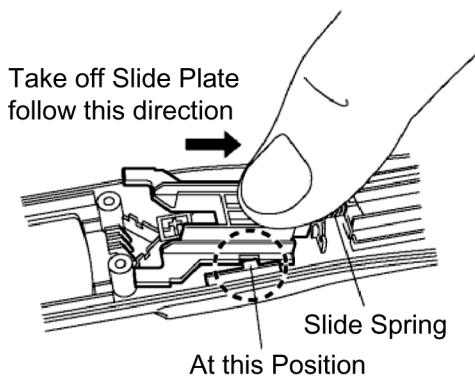
7. Remove Lock Button and Lock Button Spring.



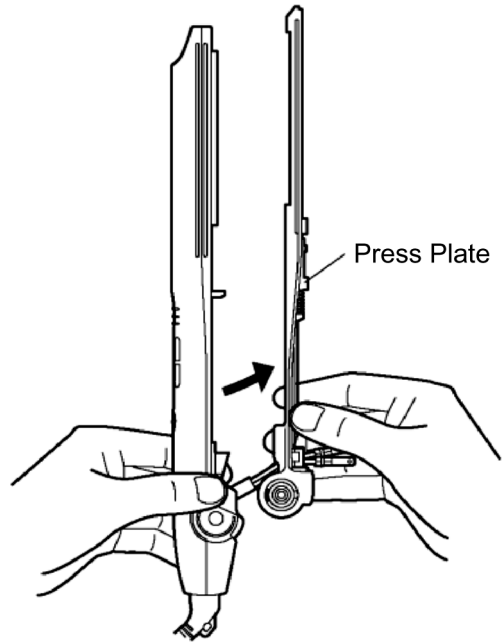
8. Remove Iron Plate of Heater B from Hook.



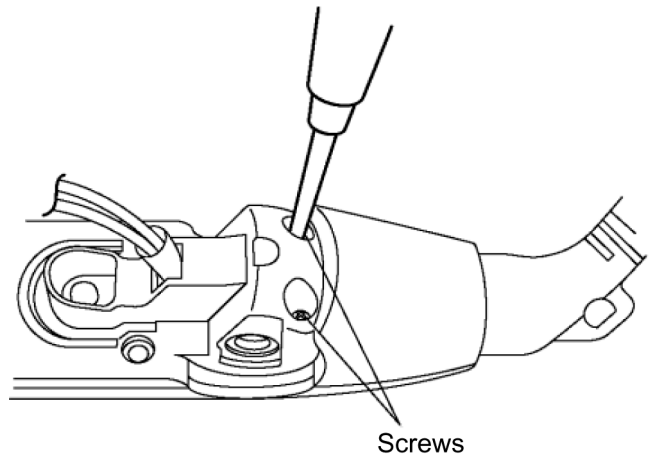
9. Remove Slide Plate and Slide Spring.



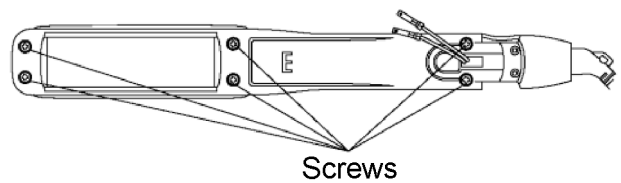
10. Take off Press Plate.



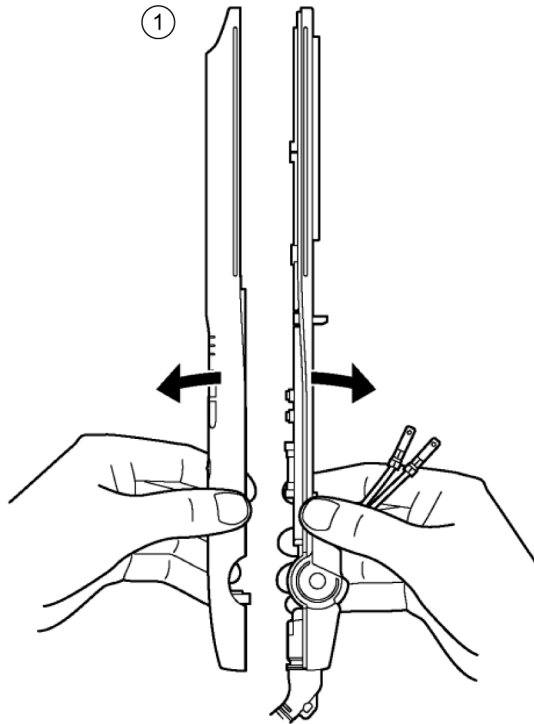
11. Remove 2 screws of the Housing side by Phillips screw driver (Plus Driver).



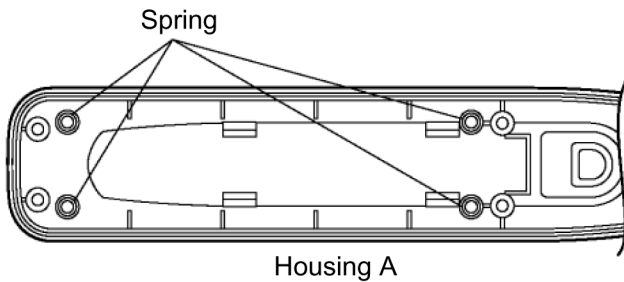
12. Remove 6 screws by Phillips screw driver (Plus Driver).



13. Remove Housing A from Housing B in Grip follow as below drawing.

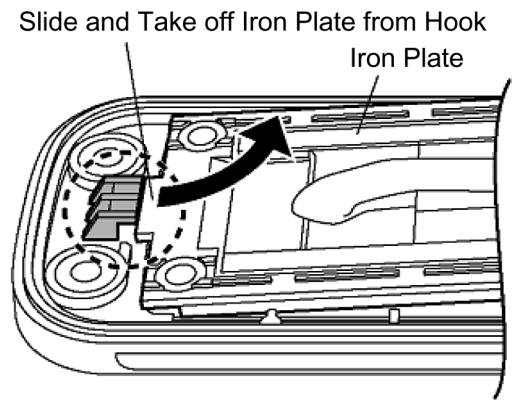


② When Remove Housing A, Beacareful 4 Springs disappear.

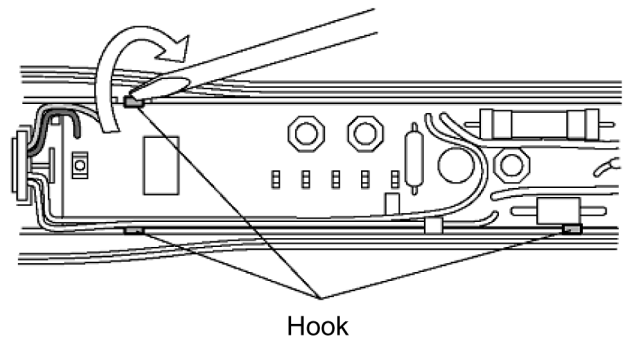


14. Take off Iron Plate and Circuit assembly b/k from Housing A.

① Take off Iron Plate from Hook of Housing A



② Take off Circuit by push at Hook of Housing A

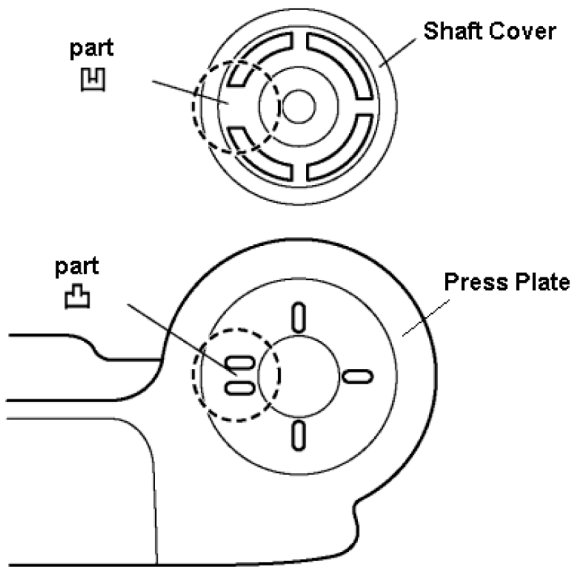


4.2. Assembly and Disassembly Points

1. Shaft Cover fixing point.

- Have Control direction.

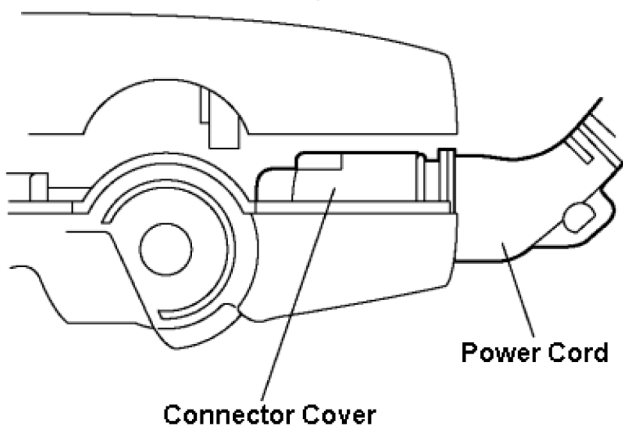
part  and part  must be same direction.



2. Housing B Assembly Point.

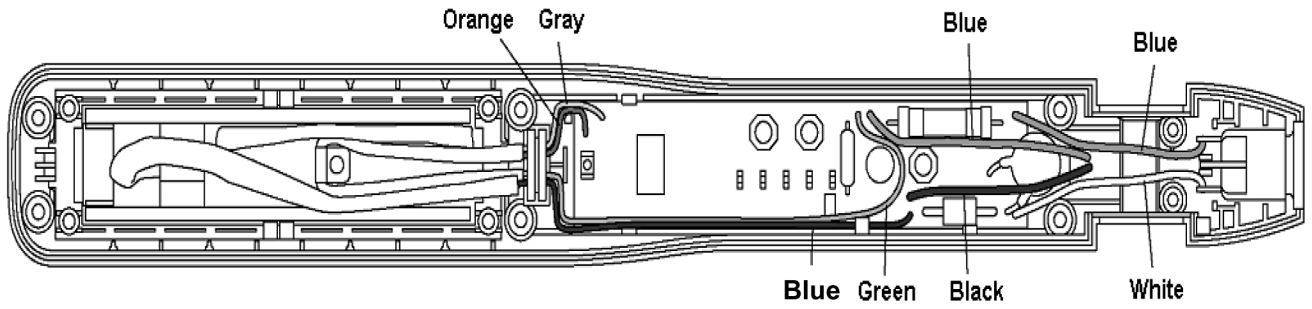
- When in sert Power cord must be surely assembly in Connector Cover follow as below.

(Should be apply Foil at Connector of Power Cord)

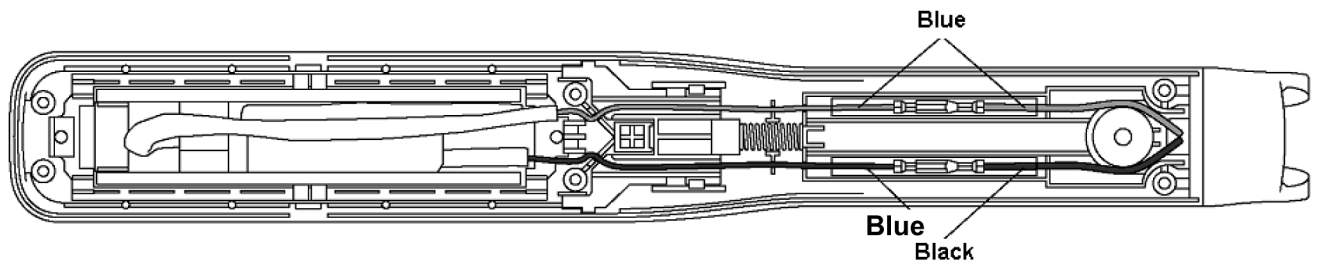


4.3. Lead wire of Iron Plate(Heater A, Heater B) and Circuit arrangement points.

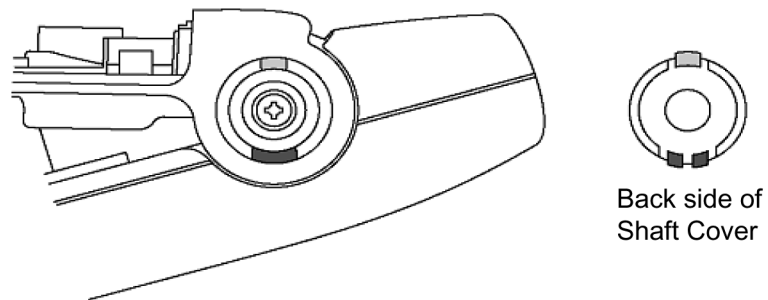
1. Lead wire of Iron Plate(Heater A assembly b/k) and Circuit assembly b/k arrangement follows as below.



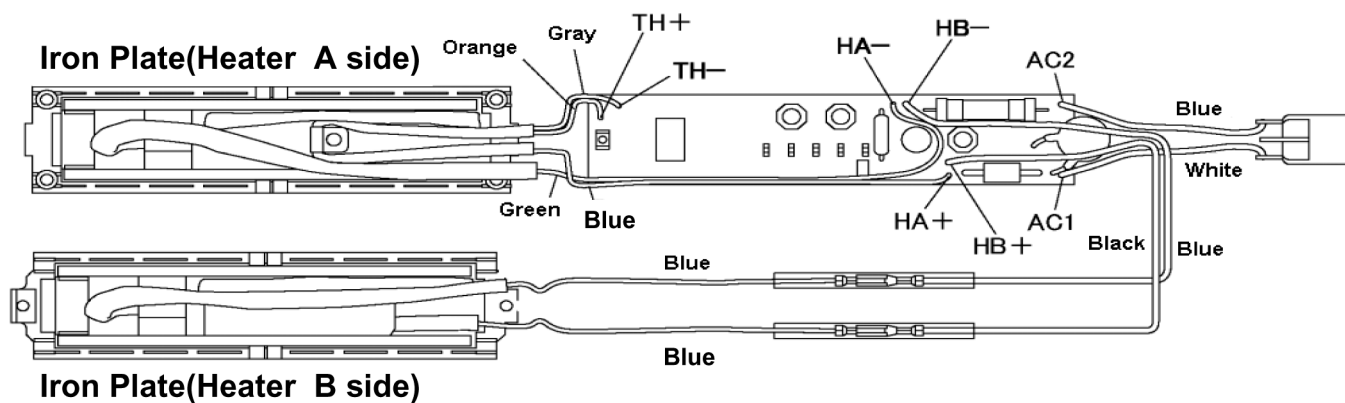
2. Lead wire of Iron Plate(Heater B assembly b/k) arrangement follows as below.



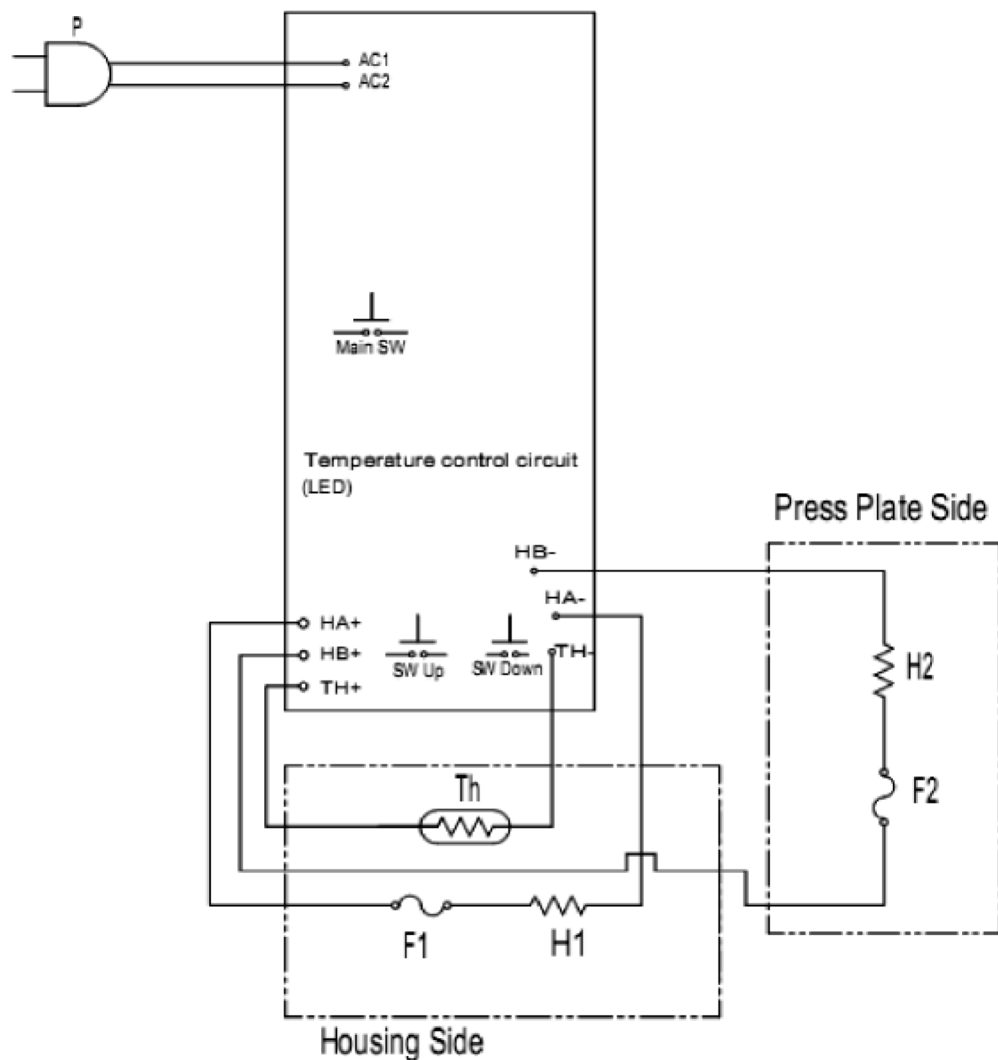
3. Shaft Cover must be control direction follow as below.



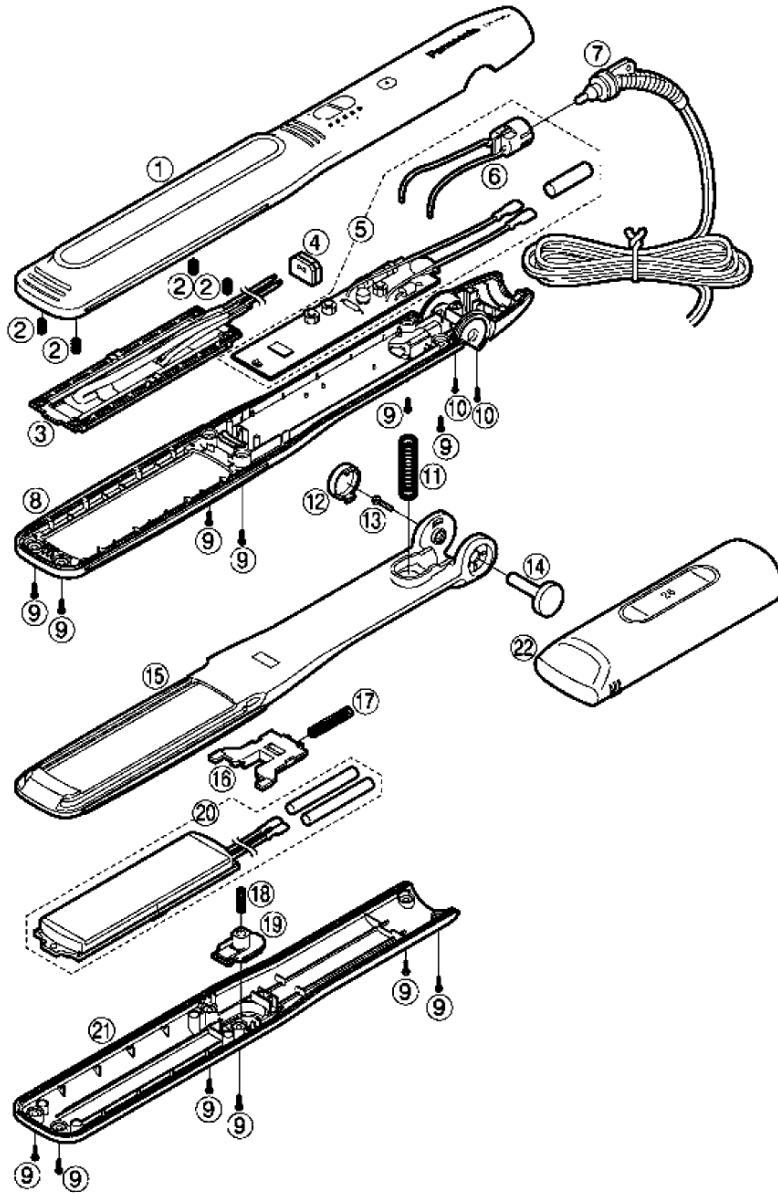
5 Wiring Connection Diagram



6 Schematic Diagram



Model No. : EH-HW11 EH-HW32 Model No. : EH-HW11 Exploded View for EH-HW11



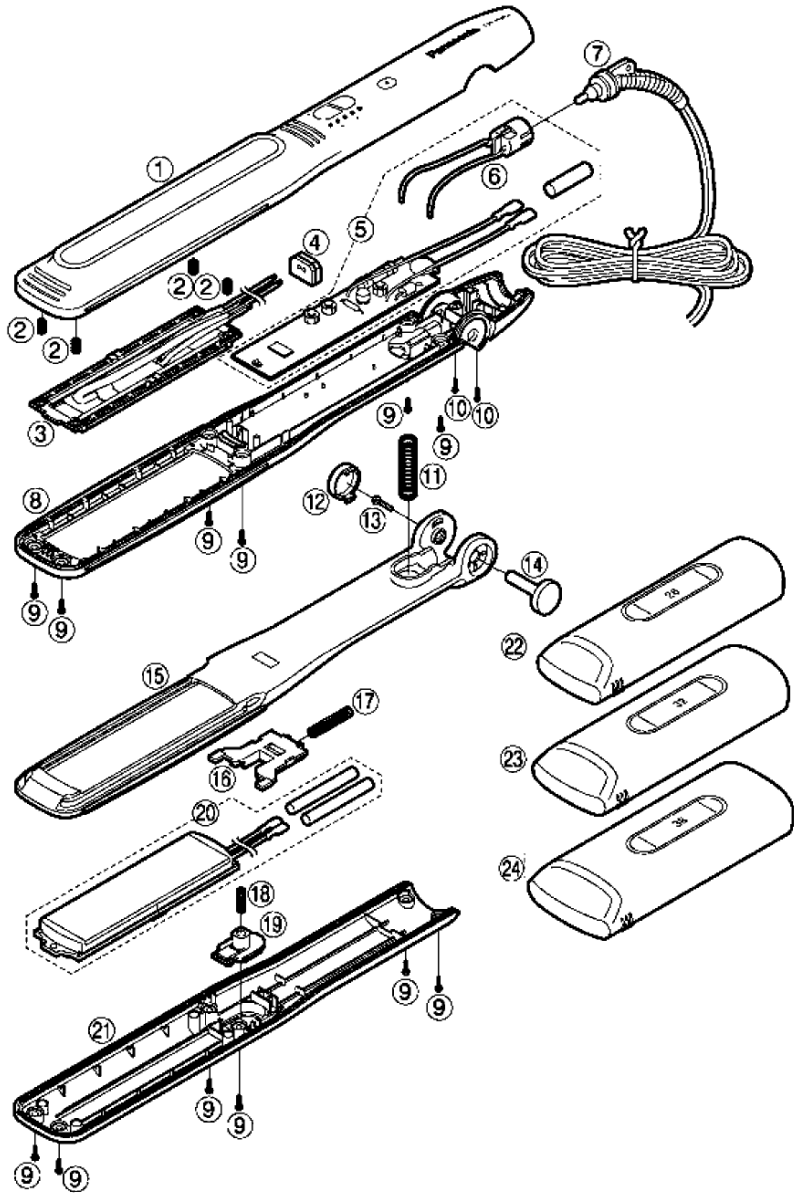
Remarks : *1 Individual Available

All parts are supplied from PMF-Thailand through PLAP

Model No. : EH-HW11 EH-HW32 Parts List

Safety	Ref. No.	Part No.	Part Name & Description	Q'ty	Remarks
	1	EHHW11HSAPW	HOUSING A ASSEMBLY BLOCK	1	
	2	EHHW11FSW	FLOATING SPRING	4	*1
	3	EHHW11HAPW	HEATER A ASSEMBLY BLOCK	1	
	4	EHHW11PKW	PACKING	1	
	5	EHHW11CCA8W	CIRCUIT ASSEMBLY BLOCK	1	(INCLUDE 1 INSULATION TUBE, CONNECTOR COVER BLOCK)
	6	EHHW11CTBW	CONNECTOR COVER BLOCK	1	
	7	EHHW11PCH9W	POWER CORD	1	
	8	EHHW11HSBPW	HOUSING B	1	
	9	EHHW112660UW	TAPPING SCREW 2.6*6	12	*1
	10	EHHW112060UW	TAPPING SCREW 2.0*6	2	*1
	11	EHHW11PSSW	PIVOT SPRING	1	
	12	EHHW11SCPW	SHAFT COVER	1	
	13	EHHW11T3010W	TORX SCREW 3.0*10	1	
	14	EHHW11SHPW	SHAFT	1	
	15	EHHW11PPPW	PRESS PLATE	1	
	16	EHHW11SPPW	SLIDE PLATE	1	
	17	EHHW11SSW	SLIDE SPRING	1	
	18	EHHW11LBSW	LOCK BUTTON SPRING	1	
	19	EHHW11LBPW	LOCK BUTTON	1	
	20	EHHW11HBPW	HEATER B ASSEMBLY BLOCK	1	(INCLUDE 2 INSULATION TUBES)
	21	EHHW11PPCPW	PRESS PLATE COVER	1	(INCLUDE 1 ALUMINUM SEAL)
	22	EHHW11C26PW	CURL 26 ATTACHMENT	1	
	-	EHHW1149501W	INDIVIDUAL PACKAGE	1	
	-	EHHW11S09W	PULP FILLER	1	
	-	EHHW1149503W	OPERATING INSTRUCTUIONS	1	

Model No. : EH-HW11 EH-HW32 Model No. : EH-HW32 Exploded View for EH-HW32



Remarks : *1 Individual Available
All parts are supplied from PMF-Thailand through PLAP

Model No. : EH-HW11 EH-HW32 Parts List

Safety	Ref. No.	Part No.	Part Name & Description	Q'ty	Remarks
	1	EHHW32HSAWW	HOUSING A ASSEMBLY BLOCK	1	
	2	EHHW32FSW	FLOATING SPRING	4	*1
	3	EHHW32HAWW	HEATER A ASSEMBLY BLOCK	1	
	4	EHHW32PKW	PACKING	1	
	5	EHHW32CCA8W	CIRCUIT ASSEMBLY BLOCK	1	(INCLUDE 1 INSULATION TUBE, CONNECTOR COVER BLOCK)
	6	EHHW32CTBW	CONNECTOR COVER BLOCK	1	
	7	EHHW32PCH9W	POWER CORD	1	
	8	EHHW32HSBWW	HOUSING B	1	
	9	EHHW322660UW	TAPPING SCREW 2.6*6	12	*1
	10	EHHW322060UW	TAPPING SCREW 2.0*6	2	*1
	11	EHHW32PSSW	PIVOT SPRING	1	
	12	EHHW32SCWW	SHAFT COVER	1	
	13	EHHW32T3010W	TORX SCREW 3.0*10	1	
	14	EHHW32SHWW	SHAFT	1	
	15	EHHW32PPWW	PRESS PLATE	1	
	16	EHHW32SPWW	SLIDE PLATE	1	
	17	EHHW32SSW	SLIDE SPRING	1	
	18	EHHW32LBSW	LOCK BUTTON SPRING	1	
	19	EHHW32LBWW	LOCK BUTTON	1	
	20	EHHW32HBWW	HEATER B ASSEMBLY BLOCK	1	(INCLUDE 2 INSULATION TUBES)
	21	EHHW32PPCWW	PRESS PLATE COVER	1	(INCLUDE 1 ALUMINUM SEAL)
	22	EHHW32C26WW	CURL 26 ATTACHMENT	1	
	23	EHHW32C32WW	CURL 32 ATTACHMENT	1	
	24	EHHW32C38WW	CURL 38 ATTACHMENT	1	
	-	EHHW3249501W	INDIVIDUAL PACKAGE	1	
	-	EHHW32S09W	PULP FILLER	1	
	-	EHHW3249503W	OPERATING INSTRUCTUIONS	1	