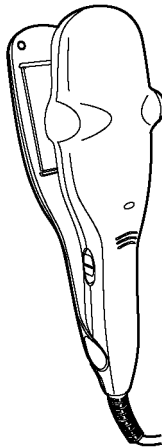


Service Manual

Ion Straightener

Model No. **EH-HS50**

Asia
Middle East



Please file and use this manual together with the service manual for Model No. EH1671, Order No. PCD0311A86C3.

WARNING

This service information is designed for experienced repair technicians only and is not designed for use by the general public. It does not contain warnings or cautions to advise non-technical individuals of potential dangers in attempting to service a product. Products powered by electricity should be serviced or repaired only by experienced professional technicians. Any attempt to service or repair the product or products dealt with in this service information by anyone else could result in serious injury or death.

IMPORTANT SAFETY NOTICE


There are special components used in this equipment which are important for safety. These parts are marked by  in the Schematic Diagrams, Circuit Board Diagrams, Exploded Views and Replacement Parts List. It is essential that these critical parts should be replaced with manufacturer's specified parts to prevent shock, fire or other hazards. Do not modify the original design without permission of manufacturer.

TABLE OF CONTENTS

	PAGE	PAGE
1 Specifications	2	
2 Exploded View and Replacement Parts List	3	

Panasonic

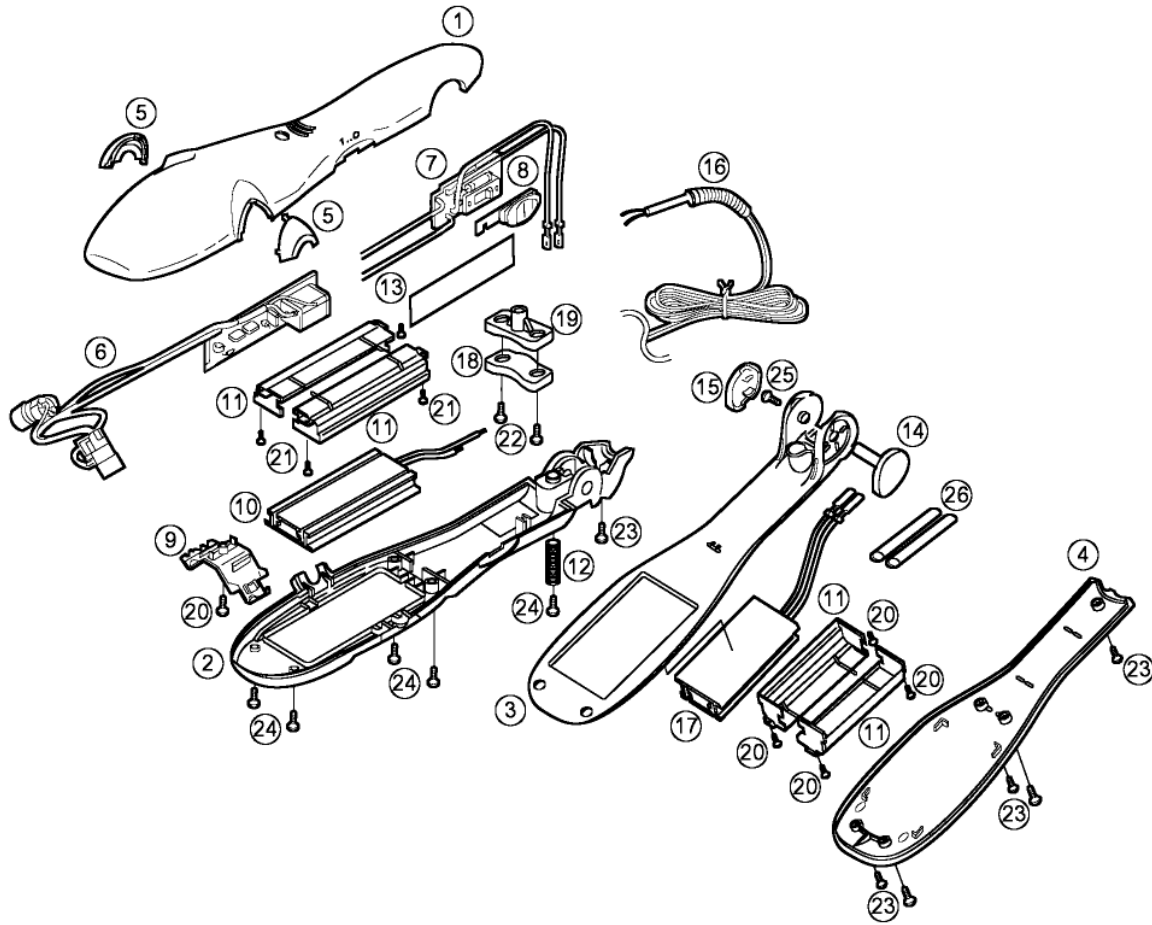
© Panasonic Electric Works(Thailand), Ltd. 2009.
All rights reserved. Unauthorized copying and distribution is a violation of law.

1 Specifications

Power source	AC 220-240V, 50-60Hz	
Power consumption	25 W	
Weight	BF-3 Plug	Approx. 570g
	B-2 Plug	Approx. 520g
Dimensions	52 (W) x 97 (D) x 271 (H) mm	

2 Exploded View and Replacement Parts List

Model No. : EH-HS50 Exploded View



*All parts are supplied from PEW-Thailand through PLGA

Model No. : EH-HS50 Parts List

Safety	Ref. No.	Part No.	Part Name & Description	Q'ty	Remarks
	1	EHHS50HSAWW	HOUSING A ASS'Y	1	
	2	EHHS50HSBWW	HOUSING B ASS'Y	1	
	3	EHHS50PPWW	PRESS PLATE	1	
	4	EHHS50PCWW	PRESS PLATE COVER	1	
	5	EHHS50HSCW	HOUSING COVER	2	
	6	EHHS50DCAW	DISCHARGE CIRCUIT ASS'Y	1	
	7	EHHS50SPCBW	SWITCHING PCB ASS'Y	1	
	8	EHHS50SPWW	SWITCH PLATE	1	
	9	EHHS50DEFPW	DISCHARGE ELECTRODE FIXING PLATE	1	
	10	EHHS50IPAW	IRON PLATE ASS'Y	1	
	11	EHHS50IPHWW	IRON PLATE HOLDER	4	
	12	EHHS50PSW	PIVOT SPRING	1	
	13	EHHS50ISW	INSULATION SHEET	1	
	14	EHHS50PSWW	PIVOT SHAFT	1	
	15	EHHS50PSCWW	PIVOT SHAFT COVER	1	
	16	EHHS50PCB2W	POWER CORD ASS'Y	1	(B-2 PLUG)
	16	EHHS50PCS3W	POWER CORD ASS'Y	1	(BF-3 PLUG)
	17	EHHS50IPTW	IRON PLATE ASS'Y WITH TERMINAL	1	
	18	EHHS50PCRW	POWER CORD RETAINER	1	
	19	EHHS50PCRWW	POWER CORD RETAINER B	1	
	20	EHHS50T2660W	TAPPING SCREW	5	(K2.6-6)
	21	EHHS50T2610W	TAPPING SCREW	4	(K2.6-10)
	22	EHHS50T3010W	TAPPING SCREW	2	(K3.0-10)
	23	EHHS50T2606W	TORX SCREW	6	(M2.6-6)
	24	EHHS502610SW	TORX SCREW	5	(M2.6-10)
	25	EHHS50T3012W	TORX SCREW	1	(M3.0-12)
	26	EHHS50ITW	INSULATION TUBE	2	
	-	EHHS5061501W	INDIVIDUAL PACKAGE	1	(For INDIA, VIETNAM, IRAN)
	-	EHHS5065501W	INDIVIDUAL PACKAGE	1	(For MALAYSIA)
	-	EHHS5066501W	INDIVIDUAL PACKAGE	1	(For SAUDI ARABIA)
	-	EHHS5068501W	INDIVIDUAL PACKAGE	1	(For HONG KONG, UAE, KUWAIT)
	-	EHHS50S09W	FILLER FOR PACKAGE	1	
	-	EHHS50S03UW	INSTRUCTION BOOKLET	1	