

Service Manual

Rechargeable Shaver

Model No. **ES8111**

KOREA



Please file and use this manual together with the service manual for Model No. ES8113, Order No. SD0708A46CE.

⚠ WARNING

This service information is designed for experienced repair technicians only and is not designed for use by the general public. It does not contain warnings or cautions to advise non-technical individuals of potential dangers in attempting to service a product. Products powered by electricity should be serviced or repaired only by experienced professional technicians. Any attempt to service or repair the product or products dealt with in this service information by anyone else could result in serious injury or death.

IMPORTANT SAFETY NOTICE

There are special components used in this equipment which are important for safety. These parts are marked by **⚠** in the Schematic Diagrams, Circuit Board Diagrams, Exploded Views and Replacement Parts List. It is essential that these critical parts should be replaced with manufacturer's specified parts to prevent shock, fire or other hazards. Do not modify the original design without permission of manufacturer.

TABLE OF CONTENTS

	PAGE	PAGE
1 Warning-----	2	
2 Specifications-----	2	
3 Disassembly and Assembly Instructions-----	3	
4 Schematic Diagram-----	3	
5 Exploded View and Replacement Parts List-----	4	

Panasonic

© Panasonic Electric Works Co., Ltd. 2008.
All rights reserved. Unauthorized copying and distribution is a violation of law.

1 Warning

Caution:

- Pb free solder has a higher melting point than standard solder; Typically the melting point is 50 - 70°F (30 - 40°C) higher. Please use a soldering iron with temperature control and adjust it to 750 ± 20°F (400 ± 10°C). In case of using high temperature soldering iron, please be careful not to heat too long.
- Pb free solder will tend to splash when heated too high (about 1100°F / 600°C).

2 Specifications

Power source	AC 120-240V, 50-60Hz (Automatic voltage conversion)
Charging time	1 hour
Shaves per charge	14 times (3 minutes shave)
Measurement	(H)15.7 X (W)6.4 X (D)4.3 cm
Weight	Approx. 175g (without protective cap)

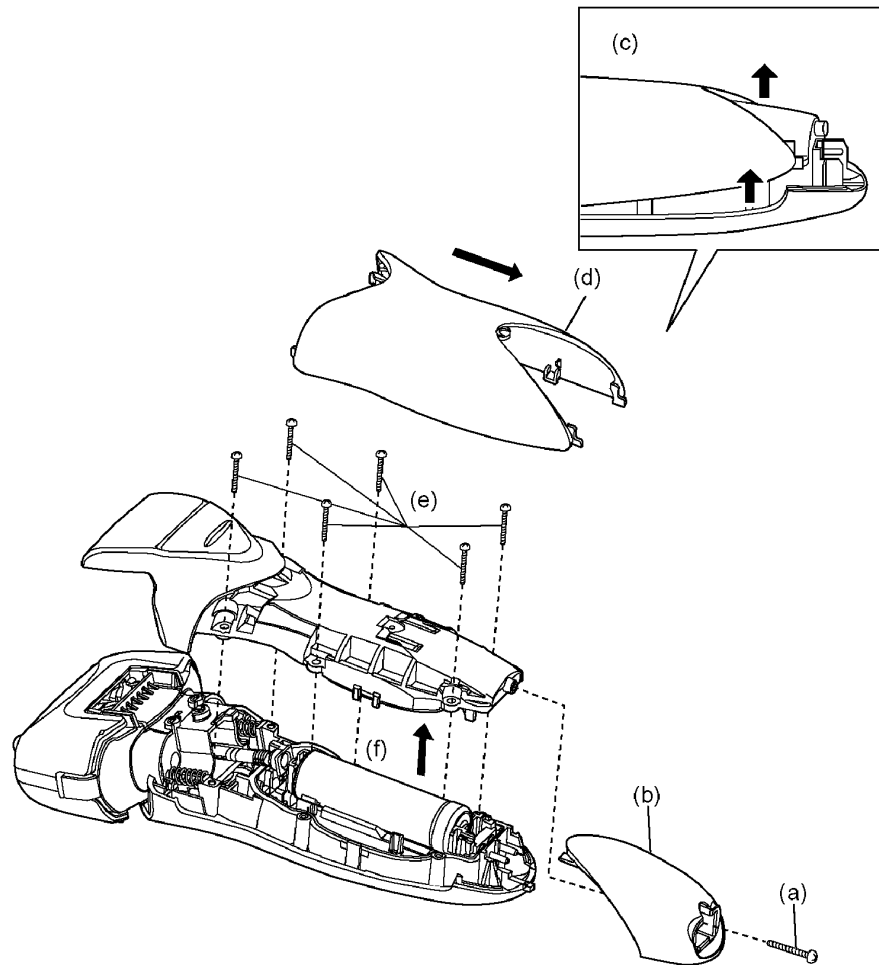
Supplied accessories	Soft case
	Oil
	Cleaning brush

3 Disassembly and Assembly Instructions

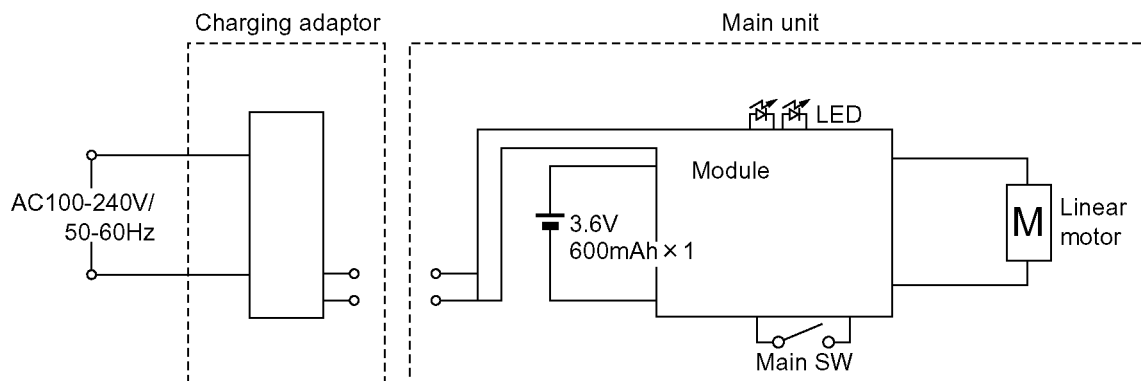
3.1. Disassembly Instructions

Follow the procedure below to disassemble the main unit.

1. How to assemble the housing A and B.
 - a. Loosen a screw.
 - b. Remove the bottom cover.
 - c. Slide the trimmer handle up.
 - d. Pull out the trimmer vertically.
 - e. Unhook the bottom of trimmer handle and pull out.
 - f. Lift up the bottom of rear cover on both side.
 - g. Remove the rear panel.
 - h. Loosen six screws.
 - i. Remove the housing B.

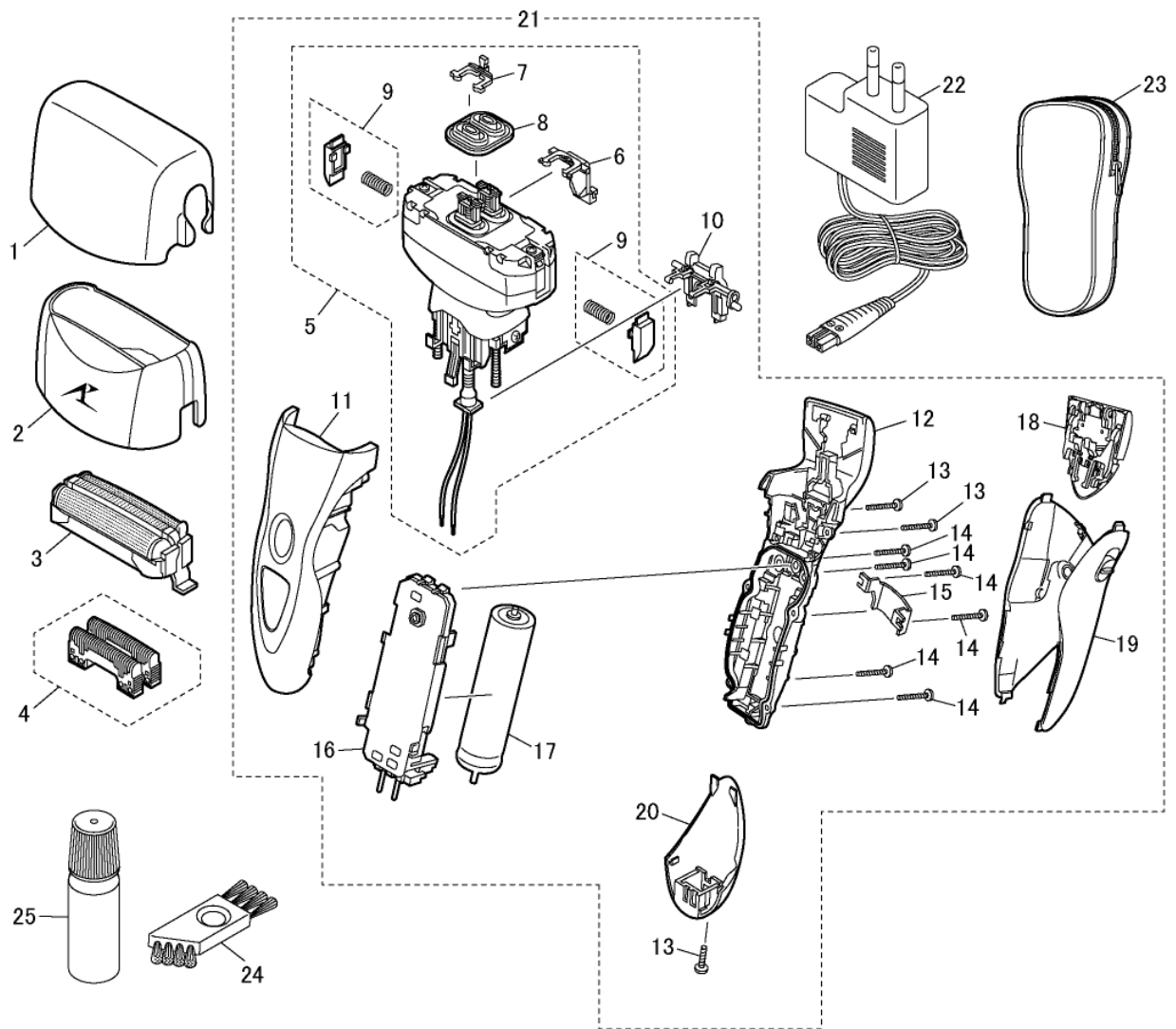


4 Schematic Diagram



5 Exploded View and Replacement Parts List

Model No. : ES8111 Exploded View



Model No. : ES8111 Parts List

Safety	Ref. No.	Part No.	Part Name & Description	Q'ty	Remarks
	1	WES8116X7158	PROTECTIVE CAP	1	
	2	WES8119S0047	OUTER FOIL FRAME	1	
	3	WES9087E	OUTER FOIL	1	
	4	WES9068E	INNER BLADE	1ST	
	5	WES8111L1007	LINEAR MOTOR ASSEMBLY	1	
	6	WES8119L1087	TRIMMER DRIVING BAR	1	
	7	WES8176L1077	SLIT BLADE DRIVING BAR	1	
	8	WES8196L0328	WATERPROOF RUBBER	1	
	9	WES8119K3267	FOIL RELEASE BUTTON	2	(2PCS/PK)
	10	WES8258L0537	TUBE HOLDER	1	
	11	WES8111S3058	HOUSING A	1	
	12	WES8116S3068	HOUSING B	1	
	13	WES8176L6057	TAPPING SCREW	1	(M2-8)
	14	WES8176L6007	P TIGHT SCREW	1	(M2-12)
	15	WES8238L0487	CONNECTING PLATE	1	
	16	WES8111L2127	MODULE	1	
	17	WES8176L2509	RECHARGEABLE BATTERY	1	(LM-ION TYPE)
	18	WES8119A1508	TRIMMER	1	
	19	EWS8111A3367	REAR PANEL	1	
	20	WES8111S3128	BOTTOM COVER	1	
	21	WES8111S3038	BODY BLOCK	1	
	22	WES8238K7671	CHARGING ADAPTOR	1	(KS-PLUG)
	23	WES8176K7016	SOFT CASE	1	
	24	WES8093H7057	CLEANING BRUSH	1	
	25	WES8196X7918	OIL	1	
	-	WES8111S8008	INDIVIDUAL BOX	1	
	-	WES8111S8108	OPERATING INSTRUCTIONS	1	