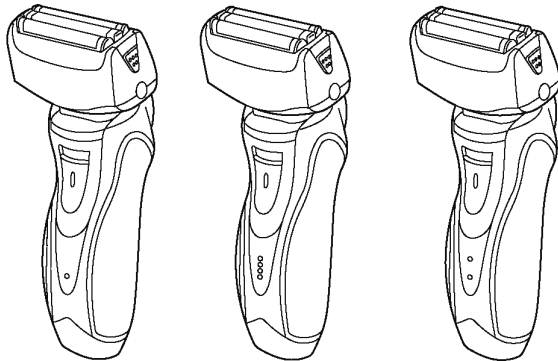


Service Manual

AC/Rechargeable Shaver



ES7043-A3
ES7046-A3
ES7047-A3

SPECIFICATIONS

Model	ES7043	ES7046	ES7047
Power source	AC220V	AC 100-240V, 50-60Hz (Automatic voltage conversion)	
Power consumption (during charge)	25mA	75mA (at 100V), 65mA (at 120V) and 45mA (at 220 and 240V)	
Motor voltage	2.4V DC		
Charging time	8 Hours	1 Hour	
Shaves per charge	10 times (3 minutes shave)	14 times (3 minutes shave)	
Measurement	(H)15.3 x (W)6.0 x (D)4.6 cm		
Weight	200g		
Supplied accessories	Soft case, Cleaning brush		

WARNING

This service information is designed for experienced repair technicians only and is not designed for use by the general public. It does not contain warnings or cautions to advise non-technical individuals of potential dangers in attempting to service a product. Products powered by electricity should be serviced or repaired only by experienced professional technicians. Any attempt to service or repair the product or products dealt with in this service information by anyone else could result in serious injury or death.

CONTENTS

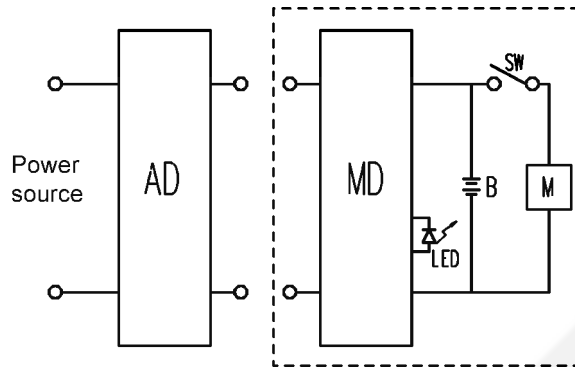
	Page		Page
1 SCHEMATIC DIAGRAM	2	4 CAUTION IN ASSEMBLY	6
2 WIRING CONNECTION DIAGRAM	2	5 TROUBLESHOOTING GUIDE	9
3 DISASSEMBLY INSTRUCTION	3	6 EXPLODED VIEW & REPLACEMENT PARTS LIST	10

Panasonic

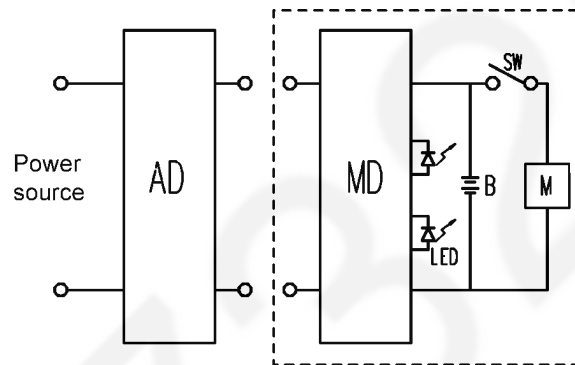
© 2005 Matsushita Electric Works, Ltd. All rights reserved. Unauthorized copying and distribution is a violation of law.

1 SCHEMATIC DIAGRAM

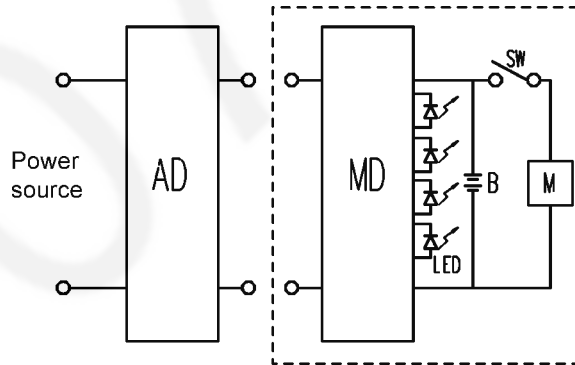
1.1. ES7043



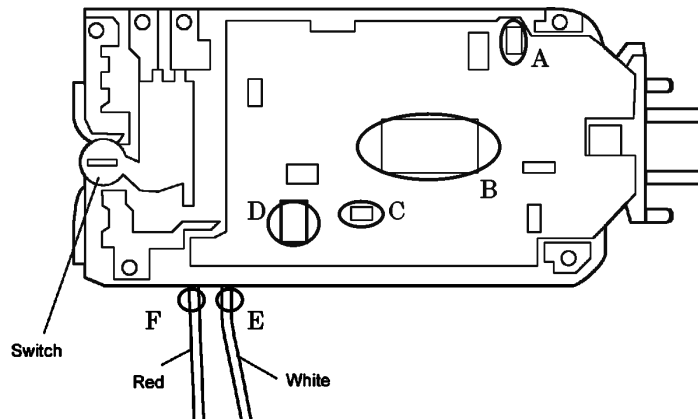
1.2. ES7046



1.3. ES7047



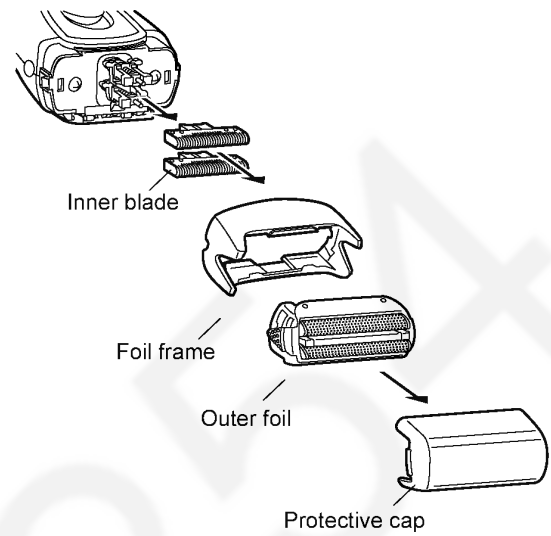
2 WIRING CONNECTION DIAGRAM



3 DISASSEMBLY INSTRUCTION

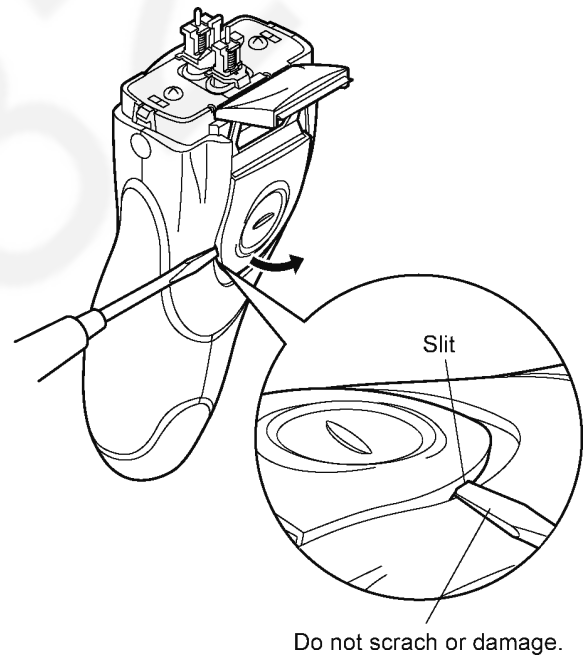
Follow the procedure below to disassemble the main unit.

1. Remove the cap, the outer foil with foil frame and the inner blade.

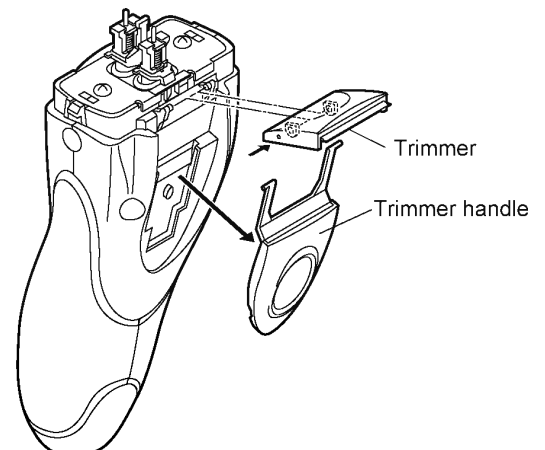


2. Slide the trimmer handle up to open the trimmer and unhook the trimmer handle by inserting something like a slotted screwdriver or plastic spatula into a slit.

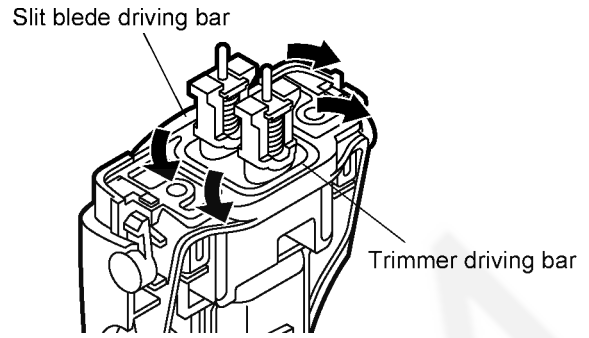
NOTE: Make sure not to scratch or damage on the housing.



3. Remove trimmer and trimmer handle.

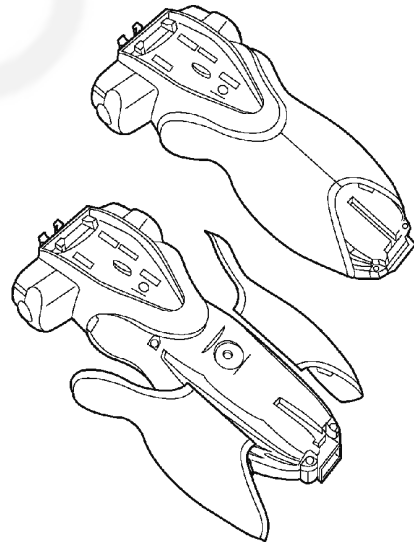
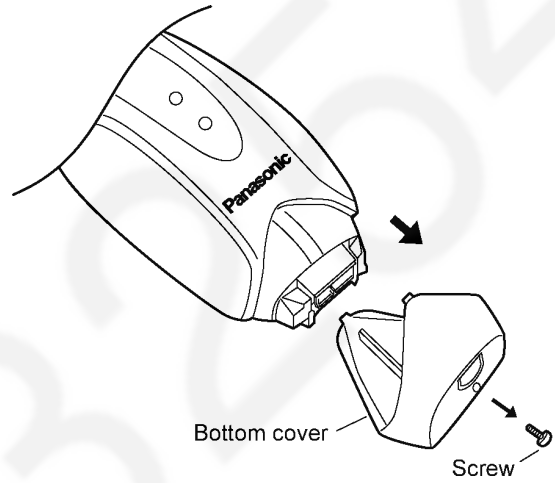


4. To remove the trimmer driving bar or the slit blade driving bar, press bars outward.

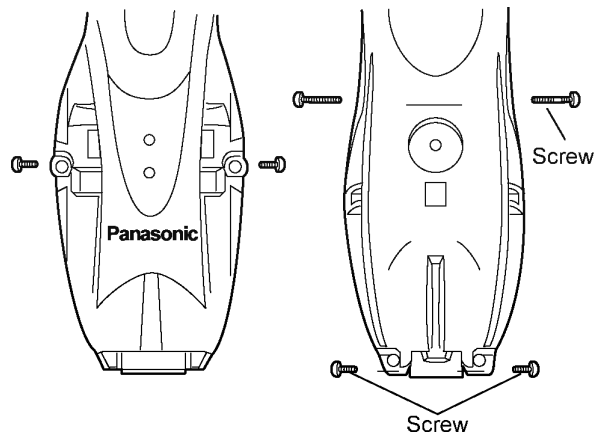


5. Loosen a screw and remove the bottom cover.

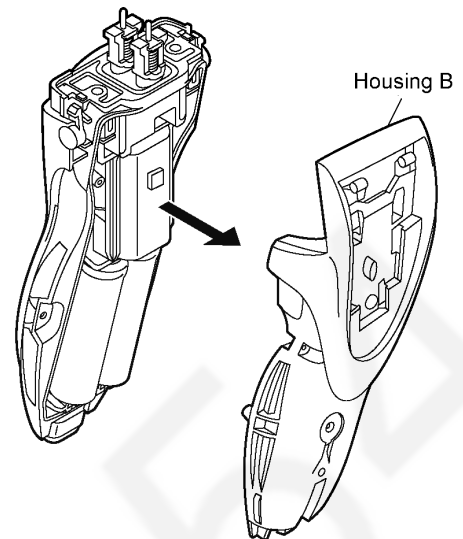
6. Slide down the side panels for both sides.



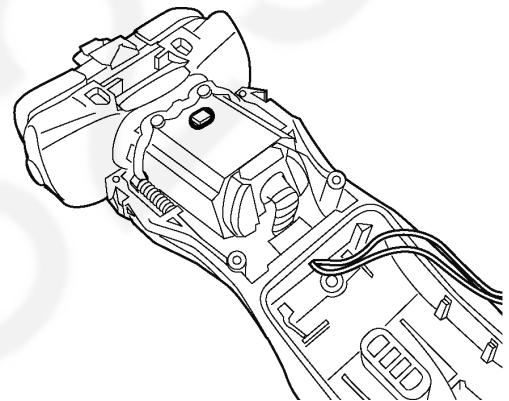
7. Loosen two screws on front and four screws on the back side, and remove two housing clips.



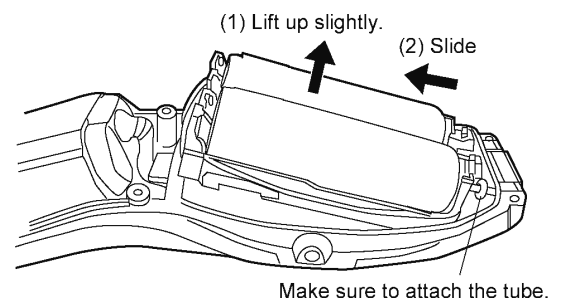
8. Take out the housing B.



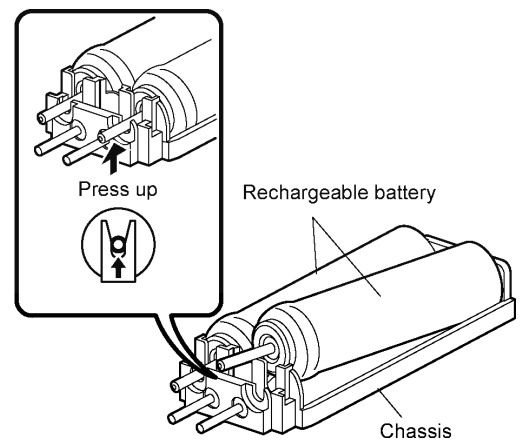
9. Remove the motor assembly and tube holder.



10. And take out the battery assembly from housing A.



11. Remove the battery o-ring and washer in each battery.
Take out the rechargeable batteries from the chassis.

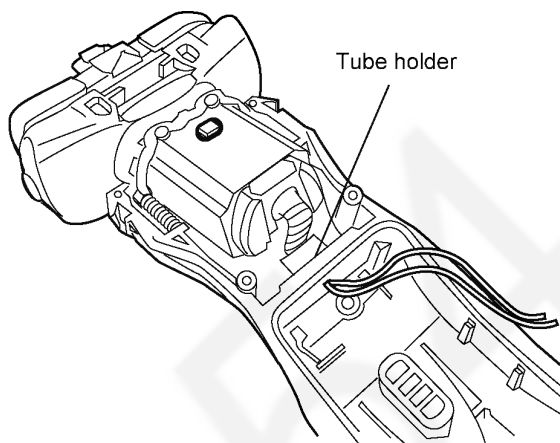


4 CAUTION IN ASSEMBLY

NOTE: When reassembling, replace the new waterproof rubber. Make sure whether there is **NO** foreign substance sticking around a part covered with water seal.

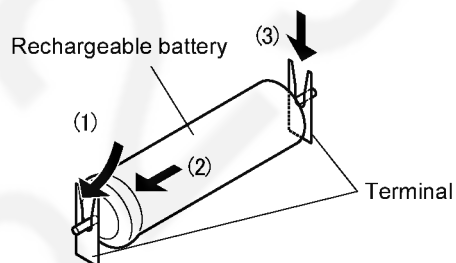
4.1. Motor

Insert the motor and press fit the waterproof tube neatly under the tube holder. And put the float spring properly.



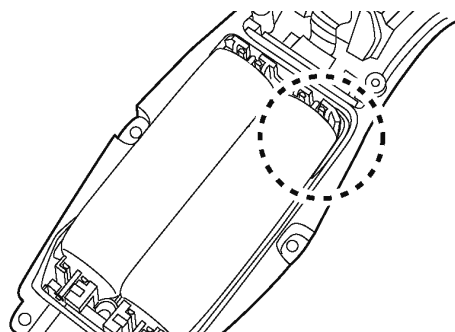
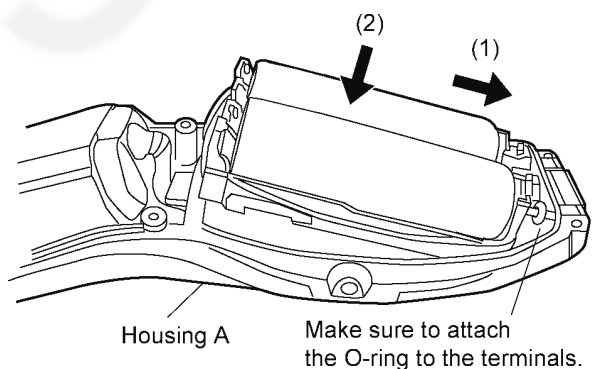
4.2. Rechargeable batteries

Insert the rechargeable batteries into chassis. Attach the battery o-ring and washer to the battery.



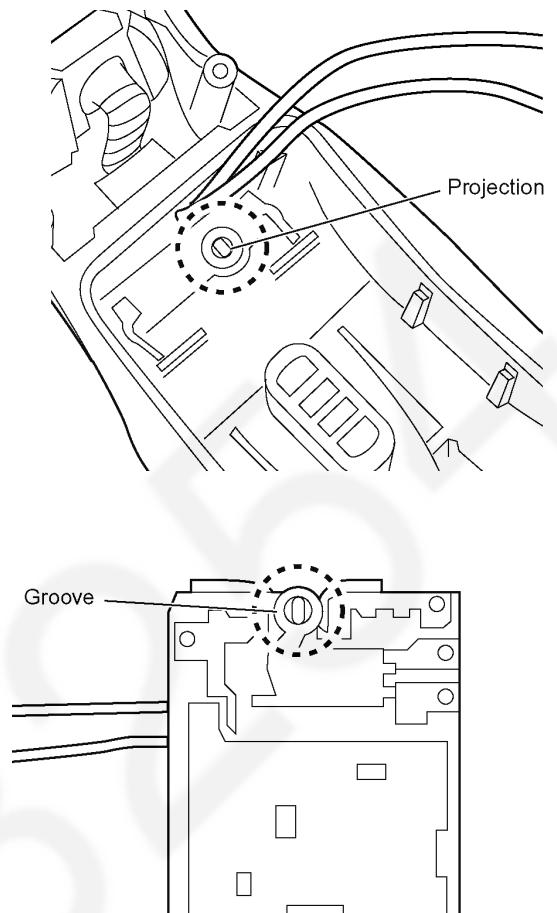
Put the battery assembly from the battery terminal side into housing A, and insert the motor side into housing A.

NOTE: Press fit the lead wire neatly in order to prevent pinching.



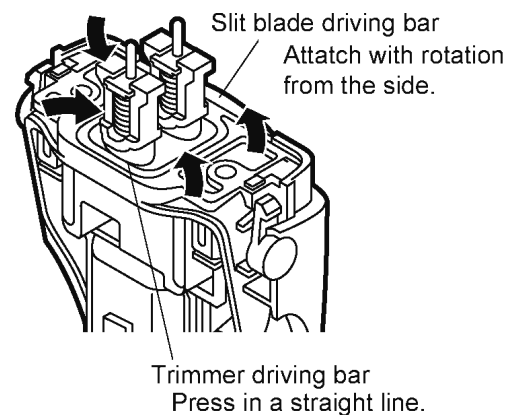
4.3. Module

Align the projection of switch select button on housing A with the groove of switch plate on module.



4.4. Driving bars

Set the trimmer driving bar and the slit blade driving bar.

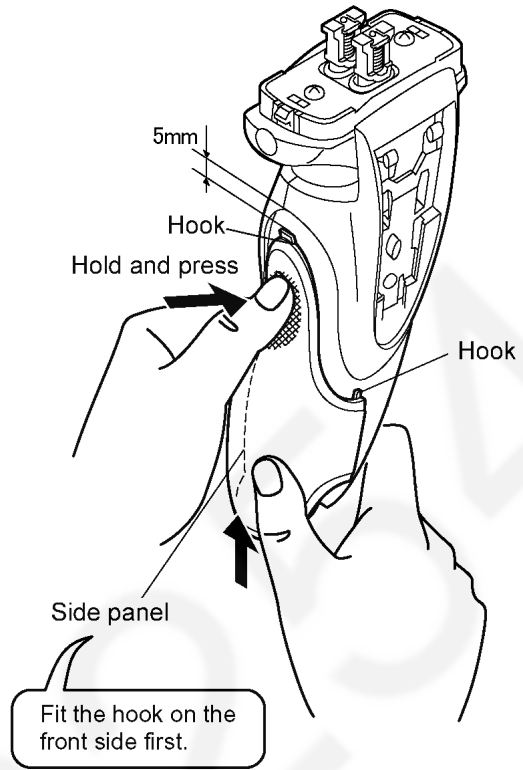


4.5. Side panel

Set the side panel on the body and slide it up until clicking the hook of panel at three locations.

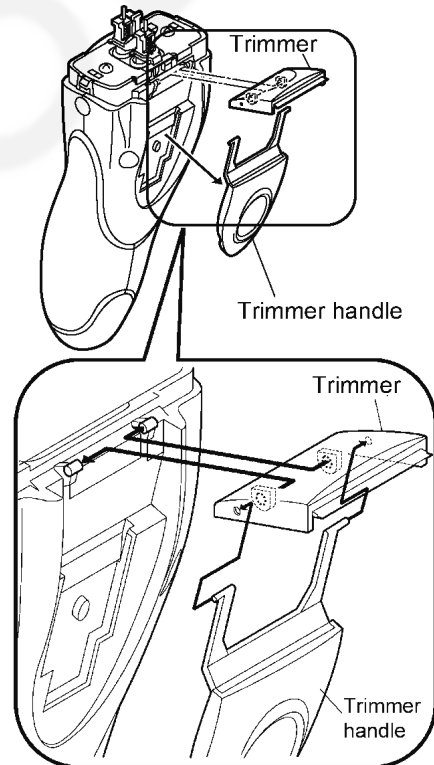
NOTE: Make sure that the left and right side panels are firmly fitted on both rear and front side.

Fit the front side of hook first, then on top and rear side.



4.6. Trimmer

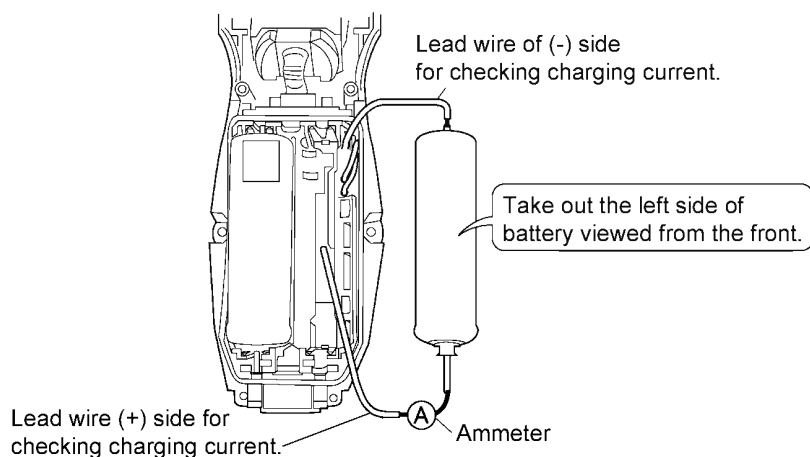
1. Make sure if the bosses of handle arm insert into the holes of trimmer.
2. Align the bosses of housing with the holes of trimmer, and hook the trimmer handle.
3. Confirm its operation or smooth movement of trimmer.



5 TROUBLESHOOTING GUIDE

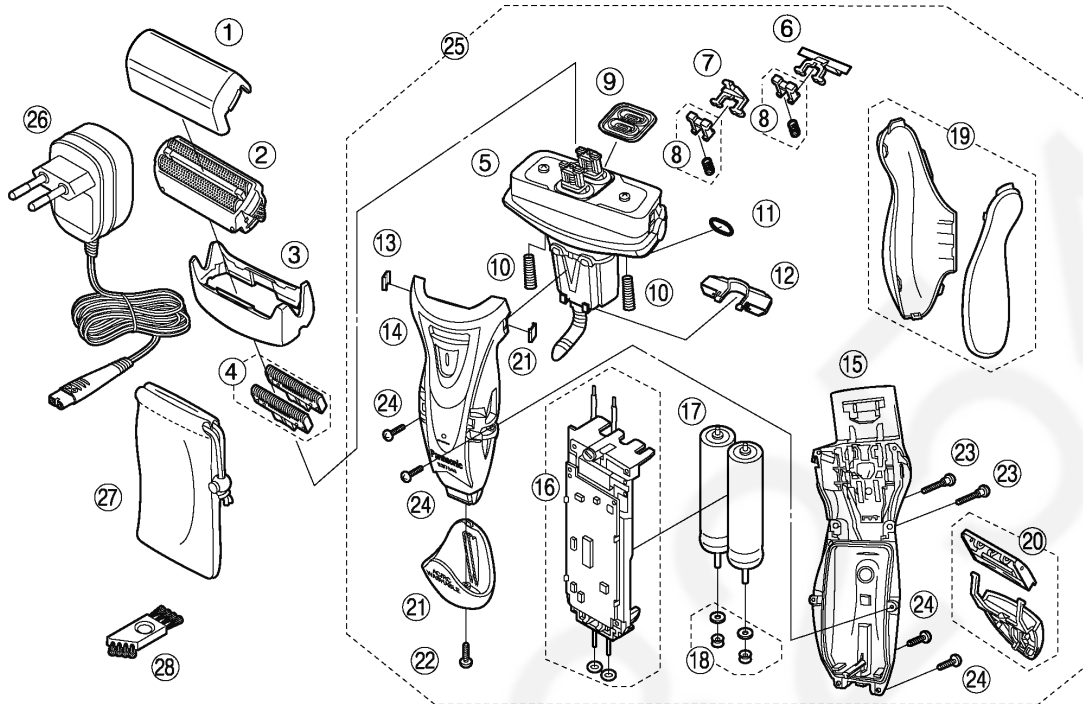
(Refer to WIRING CONNECTION DIAGRAM)

<TROUBLE>	<CHECK>	<REMEDY>	
Motor does not rotate. Does not charge. Functions for a moment and stops. Does not operate by AC power source.	<p align="center"><CHECK CHARGING ADAPTOR.></p> Connect the rated voltage to the normal main unit by the charging adaptor. Check if the charge status lamp of main unit is lit. Supply the rated voltage to the adaptor and measure the voltage. OK if it is approxi. DC 5.8V for ES7043 or DC4V for ES7046/ES7047 between the terminals of the plug with no-load operation.	<p align="center"><REMEDY></p> NO → Replace charging adaptor.	
↓ OK			
<p align="center"><CHECK RECHARGEABLE BATTERIES.></p> Okay if the voltage of rechargeable batteries is more than approximately 1.2V DC between (+) and (-) terminals. (Replace two rechargeable batteries at the same time even though one battery is defective due to series connection.)			NO → Replace both rechargeable batteries at the same time.
↓ OK			
<p align="center"><CHECK SWITCH CONTACT.></p> Okay if there is a continuity and no deformation of switch terminals.			NO → Repair contact or replace housing A.
↓ OK			
<p align="center"><CHECK MOTOR.></p> Okay if motor rotates when DC2.4V is applied to (+) and (-) terminals.			NO → Replace motor.
↓ OK			
<p align="center"><CHECK MODULE.></p> Wire the main unit returned from a customer refer with the following figure, and connect the rated voltage to it by the charging adaptor. Take out the left battery (viewed from the front). Connect the chassis and (-) terminal of battery with the lead wire. Check charging current with the wire between chassis and (+) terminal of battery. Check charging current, if it is in between 700mA to 880mA.			NO → Replace module.
↓ OK (remove the wire and reassemble the unit and attach the blades and foil frame with outer foils.)			
<p align="center"><CHECK MODULE.></p> Connect the rated voltage to the main unit with empty charge capacity by the charging adaptor. Check if the motor rotates more than one minutes by AC power source when turning on the switch.			NO → Check the soldering points from (A) to (F) ↓ OK Replace module.



6 EXPLODED VIEW & REPLACEMENT PARTS LIST

6.1. ES7043



NOTE:

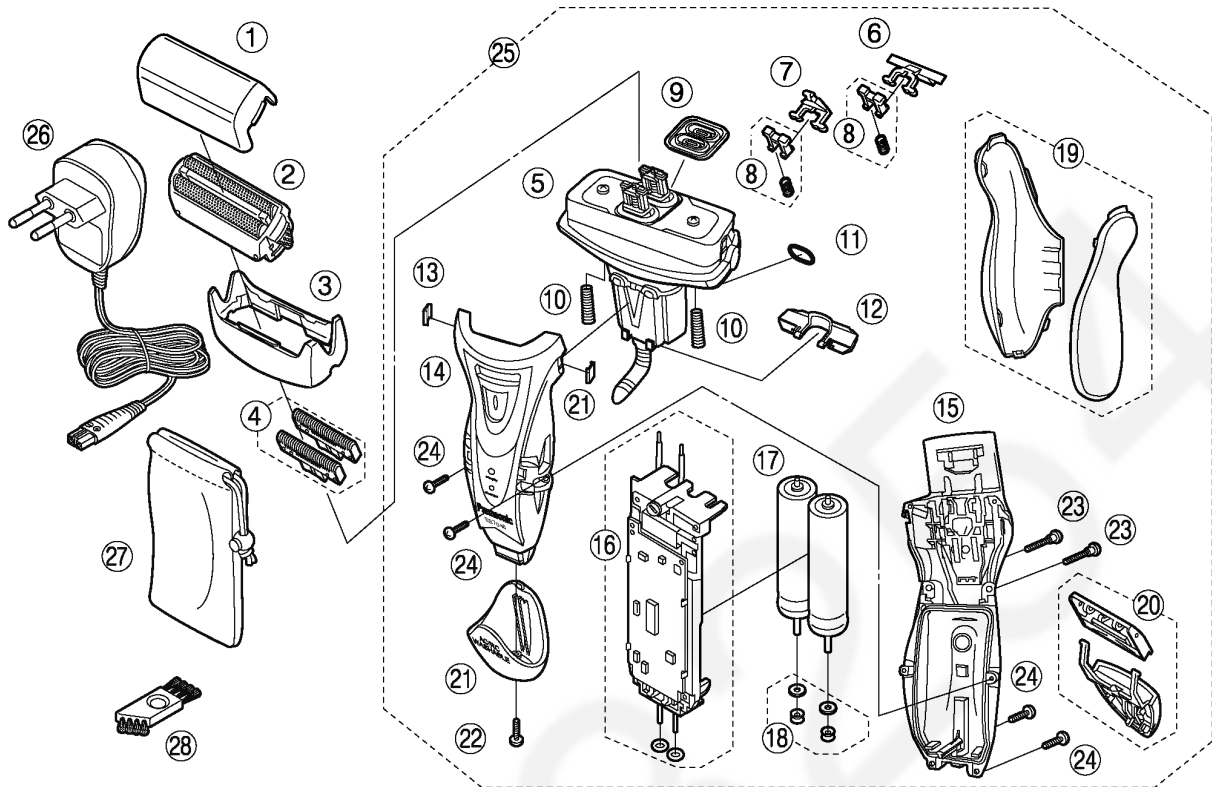
*A=available as an optional accessory

*B=only available as set

*C=available individually

Ref. No.	Part No.	Part Name & Description	Remarks	Per Unit
1	WES7043X7158	PROTECTIVE CAP	(BG)	1
2	WES9085E	OUTER FOIL	(BG)	1
3	WES7046S0048	OUTER FOIL FRAME	(BG)	1
4	WES9064EP	INNER BLADE		1ST
5	WES7046L1009	LINEAR MOTOR ASSEMBLY	(BG)	1
6	WES7046L1088	TRIMMER DRIVING BAR	(BG)	1
7	WES7046L1078	SLIT BLADE DRIVING BAR	(BG)	1
8	WES7043L0588	SPRING AND STOPPER	*B (2PCS/PK) (BG)	2
9	WES8080L0327	WATERPROOF RUBBER		1
10	WES7043L0228	FLOAT SPRING	*B (2PCS/PK) (BG)	2
11	WES7046L0967	O-RING	(BG)	1
12	WES7046L0238	TUBE HOLDER	(BG)	1
13	WES8176L0167	HOUSING CLIP	*C	2
14	WES7047S3058	HOUSING A	(BG)	1
15	WES7046S3068	HOUSING B	(BG)	1
16	WES7047L2129	MODULE	(BG)	1
17	WES7043L2508	RECHARGEABLE BATTERY	Ni-Mh TYPE (BG)	1
18	WES7025L0977	WASHER & O-RING SET	*B (2PCS/PK) (BG)	2
19	WES7046H3368	SIDE PANEL	(BG)	1
20	WES7043H1508	TRIMMER	(BG)	1
21	WES7047H3849	BOTTOM COVER	(BG)	1
21	WES7047H3840	BOTTOM COVER	only for Hong Kong (BG)	1
22	WES7043L9008	TAPPING SCREW	M2*6 (BG)	1
23	WES7046L6008	P TIGHT SCREW	*C K2*12 (BG)	2
24	WES7043L6058	TAPPING SCREW	*C K2*8 (BG)	4
25	WES7047S3038	BODY BLOCK	(BG)	1
25	WES7047S3039	BODY BLOCK	only for Hong Kong (BG)	1
26	WES7046K7671	CHARGING ADAPTOR	KOREAN PLUG (BG)	1
26	WES7046K7663	CHARGING ADAPTOR	C-2 PLUG (BG)	1
27	WES4025K7007	SOFT CASE	(BG)	1
28	WES8093H7057	CLEANING BRUSH		1
-	WES7047S8008	INDIVIDUAL BOX	only for Korea (BG)	1
-	WES7047S8009	INDIVIDUAL BOX	(BG)	1
-	WES7047S8000	INDIVIDUAL BOX	only for Hong Kong (BG)	1
-	WES7047S8109	OPERATING INSTRUCTIONS	(BG)	1

6.2. ES7046



NOTE:

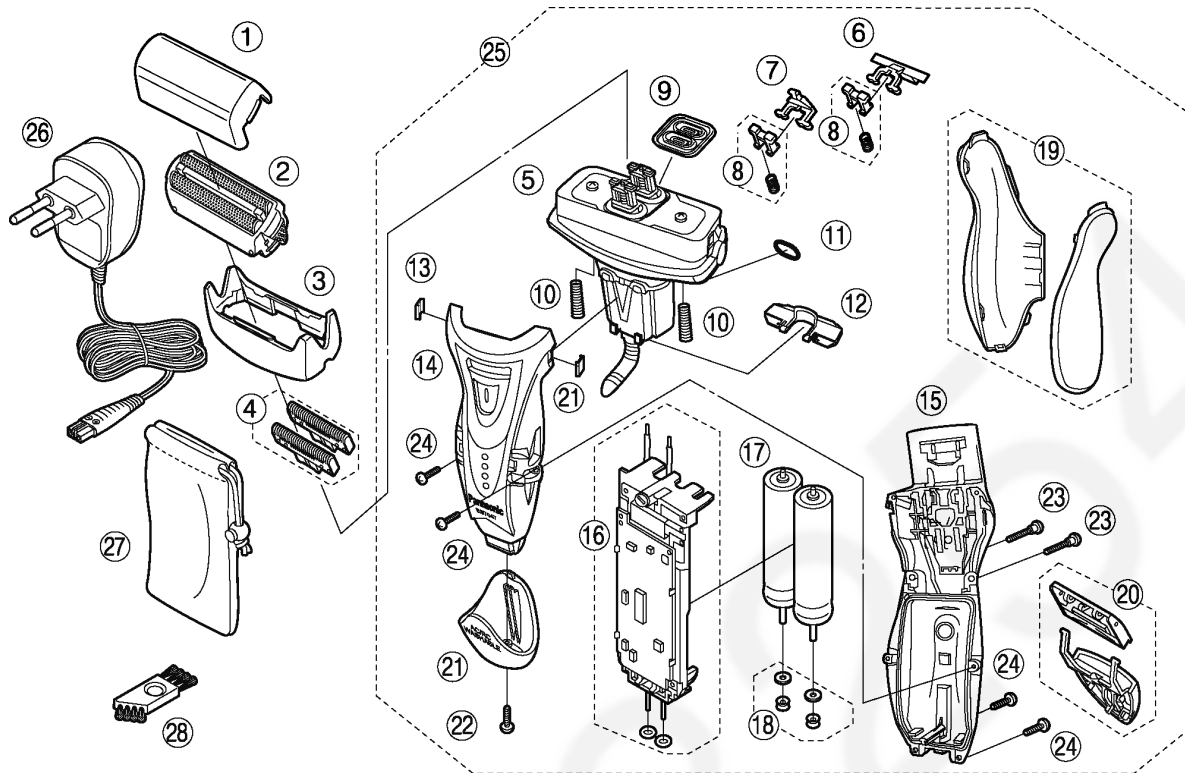
*A=available as an optional accessory

*B=only available as set

*C=available individually

Ref. No.	Part No.	Part Name & Description	Remarks	Per Unit
1	WES7043X7158	PROTECTIVE CAP		(BG) 1
2	WES9085E	OUTER FOIL		1
3	WES7046S0048	OUTER FOIL FRAME		(BG) 1
4	WES9064EP	INNER BLADE		1ST
5	WES7046L1009	LINEAR MOTOR ASSEMBLY		(BG) 1
6	WES7046L1088	TRIMMER DRIVING BAR		(BG) 1
7	WES7046L1078	SLIT BLADE DRIVING BAR		(BG) 1
8	WES7043L0588	SPRING AND STOPPER	*B (2PCS/PK)	(BG) 2
9	WES8080L0327	WATERPROOF RUBBER		1
10	WES7043L0228	FLOAT SPRING	*B (2PCS/PK)	(BG) 2
11	WES7046L0967	O-RING		(BG) 1
12	WES7046L0238	TUBE HOLDER		(BG) 1
13	WES8176L0167	HOUSING CLIP	*C	2
14	WES7046S3059	HOUSING A		(BG) 1
15	WES7046S3068	HOUSING B		(BG) 1
16	WES7046L2129	MODULE		(BG) 1
17	WES7043L2508	RECHARGEABLE BATTERY	Ni-Mh TYPE	(BG) 1
18	WES7025L0977	WASHER & O-RING SET	*B (2PCS/PK)	(BG) 2
19	WES7043A3368	SIDE PANEL		(BG) 1
20	WES7046A1508	TRIMMER		(BG) 1
21	WES7046A3848	BOTTOM COVER		(BG) 1
21	WES7046A3849	BOTTOM COVER	only for Hong Kong	(BG) 1
22	WES7043L9008	TAPPING SCREW	M2*6	(BG) 1
23	WES7046L6008	P TIGHT SCREW	*C K2*12	(BG) 2
24	WES7043L6058	TAPPING SCREW	*C K2*8	(BG) 4
25	WES7046S3030	BODY BLOCK		(BG) 1
25	WES7046S3031	BODY BLOCK	only for Hong Kong	(BG) 1
26	WES7046K7671	CHARGING ADAPTOR	KOREAN PLUG	(BG) 1
26	WES7046K7663	CHARGING ADAPTOR	C-2 PLUG	(BG) 1
27	WES4025K7007	SOFT CASE		(BG) 1
28	WES8093H7057	CLEANING BRUSH		1
-	WES7046S8000	INDIVIDUAL BOX	only for Korea	(BG) 1
-	WES7046S8001	INDIVIDUAL BOX		(BG) 1
-	WES7046S8002	INDIVIDUAL BOX	only for Hong Kong	(BG) 1
-	WES7047S8109	OPERATING INSTRUCTIONS		(BG) 1

6.3. ES7047



NOTE:

*A=available as an optional accessory

*B=only available as set

*C=available individually

Ref. No.	Part No.	Part Name & Description	Remarks	Per Unit
1	WES7043X7158	PROTECTIVE CAP		1
2	WES9085E	OUTER FOIL	(BG)	1
3	WES7046S0048	OUTER FOIL FRAME	(BG)	1
4	WES9064EP	INNER BLADE		1ST
5	WES7046L1009	LINEAR MOTOR ASSEMBLY	(BG)	1
6	WES7046L1088	TRIMMER DRIVING BAR	(BG)	1
7	WES7046L1078	SLIT BLADE DRIVING BAR	(BG)	1
8	WES7043L0588	SPRING AND STOPPER	*B (2PCS/PK) (BG)	2
9	WES8080L0327	WATERPROOF RUBBER		1
10	WES7043L0228	FLOAT SPRING	*B (2PCS/PK) (BG)	2
11	WES7046L0967	O-RING	(BG)	1
12	WES7046L0238	TUBE HOLDER	(BG)	1
13	WES8176L0167	HOUSING CLIP	*C	2
14	WES7047S3058	HOUSING A	(BG)	1
15	WES7046S3068	HOUSING B	(BG)	1
16	WES7047L2129	MODULE	(BG)	1
17	WES7043L2508	RECHARGEABLE BATTERY	Ni-Mh TYPE (BG)	1
18	WES7025L0977	WASHER & O-RING SET	*B (2PCS/PK) (BG)	2
19	WES7046H3368	SIDE PANEL	(BG)	1
20	WES7043H1508	TRIMMER	(BG)	1
21	WES7047H3849	BOTTOM COVER	(BG)	1
21	WES7047H3840	BOTTOM COVER	only for Hong Kong (BG)	1
22	WES7043L9008	TAPPING SCREW	M2*6 (BG)	1
23	WES7046L6008	P TIGHT SCREW	*C K2*12 (BG)	2
24	WES7043L6058	TAPPING SCREW	*C K2*8 (BG)	4
25	WES7047S3038	BODY BLOCK	(BG)	1
25	WES7047S3039	BODY BLOCK	only for Hong Kong (BG)	1
26	WES7046K7671	CHARGING ADAPTOR	KOREAN PLUG (BG)	1
26	WES7046K7663	CHARGING ADAPTOR	C-2 PLUG (BG)	1
27	WES4025K7007	SOFT CASE	(BG)	1
28	WES8093H7057	CLEANING BRUSH		1
-	WES7047S8008	INDIVIDUAL BOX	only for Korea (BG)	1
-	WES7047S8009	INDIVIDUAL BOX	(BG)	1
-	WES7047S8000	INDIVIDUAL BOX	only for Hong Kong (BG)	1
-	WES7047S8109	OPERATING INSTRUCTIONS	(BG)	1