

Service Manual

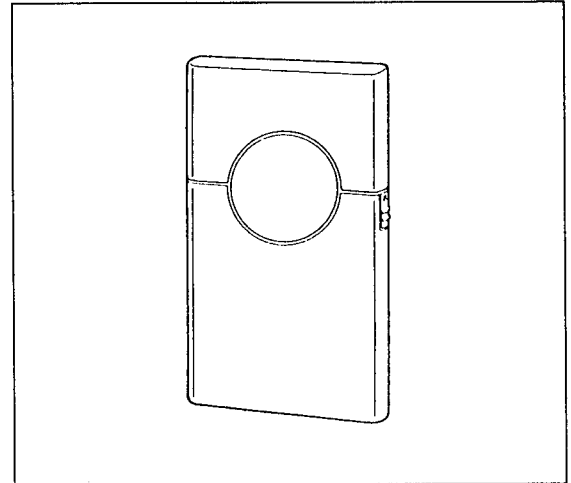
Card Size Shaver
ES518

<Specifications>

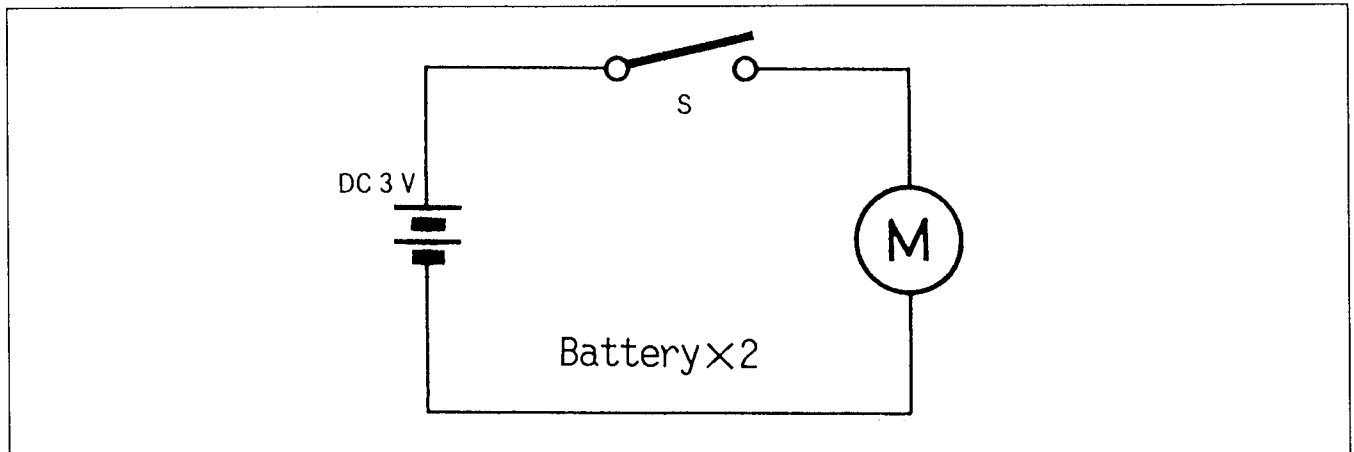
Power source : DC 3.0V
Weight : 115g (including batteries)

<Standard equipment>

Cleaning brush
Soft case



SCHEMATIC DIAGRAM



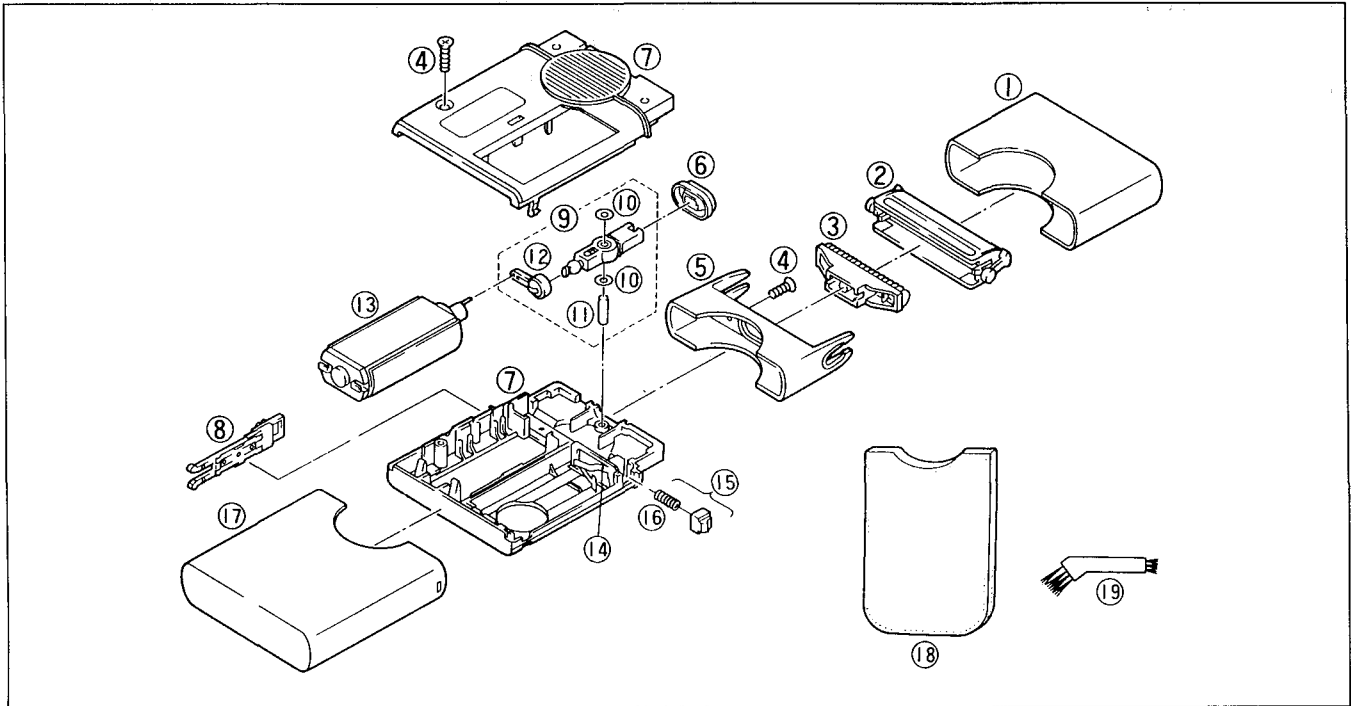
⚠ WARNING

This service literature is designed for experienced repair technicians only and is not designed for use by the general public. It does not contain warnings or cautions to advise non-technical individuals of potential dangers in attempting to service a product. Products powered by electricity should be serviced or repaired only by experienced professional technicians. Any attempt to service or repair the product or products dealt with in this service information by anyone else could result in serious injury or death.

Panasonic

© 1994 Matsushita Electric Works, Ltd.
All rights reserved. Unauthorized copying and distribution is a violation of law.

EXPLODED VIEW



REPLACEMENT PARTS LIST

Ref.No.	Part No.	Part Name & Description	Per Set	Remarks
1	WES518A7157	PROTECTIVE CAP	1	
2	WES9933Y	OUTER FOIL	1	
3	WES9932Y	INNER BLADE	1	
4	WES342B6107	TAPPING SCREW	2	
5	WES518K0047	FOIL FRAME	1	
6	WES512D0327	DUST PROOF RUBBER	1	
7	WES518L3077	HOUSING AB SET	1	
8	WES518K3207	SWITCH HANDLE	1	
9	WES512D1087	DRIVING SHAFT SET	1	
10	WES512D6307	WASHER	2	
11	WES512D1127	DRIVING SHAFT	1	
12	WES512D1157	DRIVING ARM	1	
13	WES518L1007	MOTOR	1	
14	WES518L0297	CURRENT-CARRYING PLATE	1	
15	WES518L3607	CLICK BUTTON	1	
16	WES518L0177	LOCK SPRING	1	
17	WES518A3089	HOUSING C	1	
18	WES518K7008	SOFT CASE	1	
19	WES635A7077	CLEANING BRUSH	1	
-	WES518A8009	INDIVIDUAL BOX	1	
-	WES518A8109	OPERATING INSTRUCTIONS	1	